

CS4614-RC Datasheet



<https://www.DiGi-Electronics.com>

DiGi Electronics Part Number	CS4614-RC-DG
Manufacturer	Allied Components International
Manufacturer Product Number	CS4614-RC
Description	Toroidal inductor with base
Detailed Description	Inductor



Tel: +00 852-30501935

RFQ Email: Info@DiGi-Electronics.com

DiGi is a global authorized distributor of electronic components.

Purchase and inquiry

Manufacturer Product Number:

CS4614-RC

Series:

-

Manufacturer:

Allied Components International

Product Status:

Active

Environmental & Export classification

RoHS Status:

RoHS Compliant

REACH Status:

REACH Unaffected

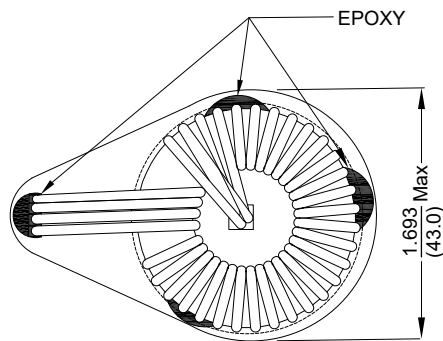
Moisture Sensitivity Level (MSL):

1 (Unlimited)

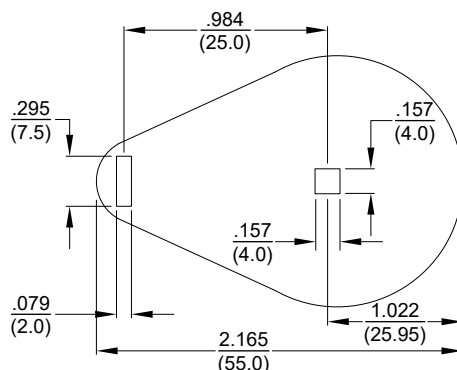
HTSUS:

8504.50.4000

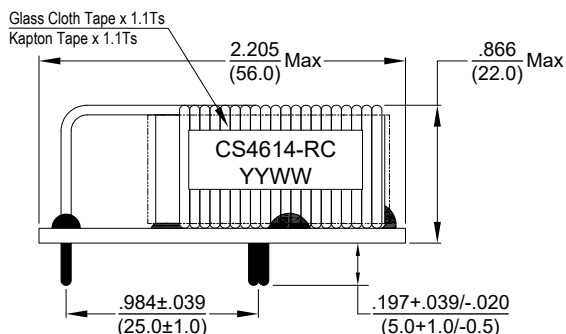
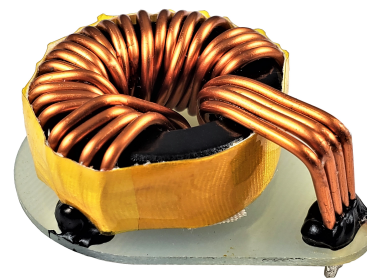
DIMENSIONS: (mm)



TOP VIEW

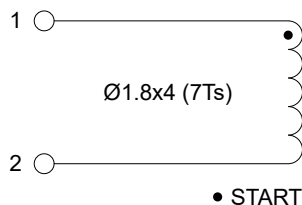


PCB LAYOUT



SIDE VIEW

SCHEMATIC



SPECIFICATIONS:

1. ELECTRICAL SPECS

S - F	INDUCTANCE F = 100KHz, 1.0Vrms 25°C	DC - BIAS F = 100KHz, 1.0Vrms (A)	Q 100KHz 1.0Vrms	LAYER SHORT	DCR @25°C (Max)	TURNS RATIO
1 - 2	3.0µH Min.	--	--	--	2.0mΩ	7Ts

3. HI-POT/INSULATION RESISTANCE

LOCAT. DESC.	COIL - COIL	PRI - SEC	SEC - SEC	PRI - CORE	COIL - CORE
HI-POT (50Hz/60Hz)	--	--	--	--	1000Vac 5mA, 3Sec

Rev.	Date	Description	By

Part Number: CS4614-RC
Description: 3.0µH Min Horizontal
Mnt Toroidal Inductor
RoHS Compliant



19671 Descartes
Foothill Ranch, CA 92610
Ph: (949) 356-1780

www.alliedcomponents.com

Date: April 25, 2019

Page: 1 of 1



OUR CERTIFICATE

DiGi provide top-quality products and perfect service for customer worldwide through standardization, technological innovation and continuous improvement. DiGi through third-party certification, we stricly control the quality of products and services. Welcome your RFQ to

Email: Info@DiGi-Electronics.com



Tel: +00 852-30501935

RFQ Email: Info@DiGi-Electronics.com

DiGi is a global authorized distributor of electronic components.