

# PCHC25-100M-RC Datasheet

[www.digi-electronics.com](http://www.digi-electronics.com)



<https://www.DiGi-Electronics.com>

DiGi Electronics Part Number	PCHC25-100M-RC-DG
Manufacturer	<a href="#">Allied Components International</a>
Manufacturer Product Number	PCHC25-100M-RC
Description	10.0UH, POWER CHIP HIGH CURRENT
Detailed Description	10 $\mu$ H Unshielded Wirewound Inductor 1.5 A 111m Ohm Max Nonstandard



Tel: +00 852-30501935

RFQ Email: [Info@DiGi-Electronics.com](mailto:Info@DiGi-Electronics.com)

DiGi is a global authorized distributor of electronic components.

## Purchase and inquiry

Manufacturer Product Number:

PCHC25-100M-RC

Series:

-

Type:

Wirewound

Inductance:

10  $\mu$ H

Current Rating (Amps):

1.5 A

Shielding:

Unshielded

Q @ Freq:

-

Ratings:

-

Inductance Frequency - Test:

100 kHz

Mounting Type:

Surface Mount

Supplier Device Package:

-

Height - Seated (Max):

0.197" (5.00mm)

Manufacturer:

Allied Components International

Product Status:

Active

Material - Core:

-

Tolerance:

$\pm$ 20%

Current - Saturation (Isat):

1.9A

DC Resistance (DCR):

111mOhm Max

Frequency - Self Resonant:

40MHz

Operating Temperature:

-40°C ~ 125°C

Features:

-

Package / Case:

Nonstandard

Size / Dimension:

0.350" L x 0.240" W (8.89mm x 6.10mm)

## Environmental & Export classification

RoHS Status:

ROHS3 Compliant

REACH Status:

REACH info available upon request

HTSUS:

8504.50.4000

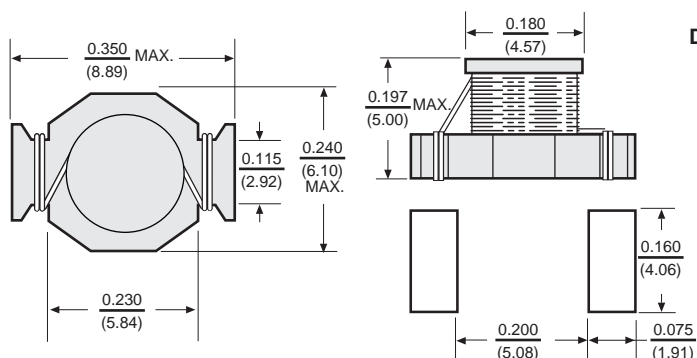
Moisture Sensitivity Level (MSL):

1 (Unlimited)

ECCN:

EAR99

# PCHC25 Power Chip High Current Inductors



Dimensions:  $\frac{\text{Inches}}{\text{(mm)}}$



## Features

- Designed for high power DC to DC applications
- Saturation current up to 8.2A
- Extremely low DCR
- Rugged self leaded construction
- Provided in tape and reel packaging for pick and place assembly

## Electrical

**Inductance Range:** .33 $\mu$ h to 47 $\mu$ h

**Tolerance:**  $\pm$  20% over the entire inductance range.

**Test Frequency:** Inductance measured at 100KHz, 0.25 Vrms.

**Operating Temp. Range:** -40° to +125°C

**Inductance Drop:** 30% typically at the rated Isat.

**Temperature Rise:**  $\Delta T=40^{\circ}\text{C}$  rise typical at Irms.

## Physical

**Marking:** Previously marked with 3 dot color code system

**Packaging:** 1000 pieces per 13 inch reel.

Allied Part Number	Inductance ( $\mu$ h)	Tolerance (%)	SRF Reference (MHz)	DCR Max. ( $\Omega$ )	Isat (A)	Irms (A)
PCHC25-R33M-RC	0.33	20	330	.007	8.2	
PCHC25-R56M-RC	0.56	20	200	.010	7.7	6.0
PCHC25-1R0M-RC	1.0	20	140	.017	5.3	4.4
PCHC25-1R2M-RC	1.2	20	140	.017	5.3	4.4
PCHC25-1R6M-RC	1.6	20		.022	4.5	
PCHC25-2R2M-RC	2.2	20	100	.035	3.5	3.1
PCHC25-3R3M-RC	3.3	20	60	.047	3.0	2.6
PCHC25-4R7M-RC	4.7	20	50	.054	2.6	2.2
PCHC25-6R8M-RC	6.8	20		.070	2.0	
PCHC25-100M-RC	10.0	20	40	.111	1.9	1.5
PCHC25-150M-RC	15.0	20	30	.170	1.5	1.2
PCHC25-220M-RC	22.0	20	25	.250	1.2	1.0
PCHC25-270M-RC	27.0	20	20	.320	1.0	
PCHC25-330M-RC	33.0	20	20	.350	.99	.82
PCHC25-470M-RC	47.0	20	15	.470	.87	.72

All specifications subject to change without notice.

## OUR CERTIFICATE

DiGi provide top-quality products and perfect service for customer worldwide through standardization, technological innovation and continuous improvement. DiGi through third-party certification, we stricly control the quality of products and services. Welcome your RFQ to

Email: [Info@DiGi-Electronics.com](mailto:Info@DiGi-Electronics.com)



Tel: +00 852-30501935

RFQ Email: [Info@DiGi-Electronics.com](mailto:Info@DiGi-Electronics.com)

DiGi is a global authorized distributor of electronic components.