

# PCS4D18-100N-RC Datasheet

[www.digi-electronics.com](http://www.digi-electronics.com)



<https://www.DiGi-Electronics.com>

DiGi Electronics Part Number	PCS4D18-100N-RC-DG
Manufacturer	<a href="#">Allied Components International</a>
Manufacturer Product Number	PCS4D18-100N-RC
Description	10H30% POWER CHIP SHIELDED INDUC
Detailed Description	10 $\mu$ H Shielded Wirewound Inductor 280mOhm No nstandard



Tel: +00 852-30501935

RFQ Email: [Info@DiGi-Electronics.com](mailto:Info@DiGi-Electronics.com)

DiGi is a global authorized distributor of electronic components.

## Purchase and inquiry

Manufacturer Product Number:

PCS4D18-100N-RC

Series:

-

Type:

Wirewound

Inductance:

10  $\mu$ H

Current - Saturation (Isat):

610mA

DC Resistance (DCR):

280mOhm

Frequency - Self Resonant:

-

Operating Temperature:

-30°C ~ 100°C

Features:

-

Package / Case:

Nonstandard

Size / Dimension:

0.185" L x 0.185" W (4.70mm x 4.70mm)

Manufacturer:

Allied Components International

Product Status:

Active

Material - Core:

-

Tolerance:

$\pm$ 30%

Shielding:

Shielded

Q @ Freq:

-

Ratings:

-

Inductance Frequency - Test:

100 kHz

Mounting Type:

Surface Mount

Supplier Device Package:

-

Height - Seated (Max):

0.079" (2.00mm)

## Environmental & Export classification

RoHS Status:

ROHS3 Compliant

REACH Status:

REACH info available upon request

HTSUS:

8504.50.4000

Moisture Sensitivity Level (MSL):

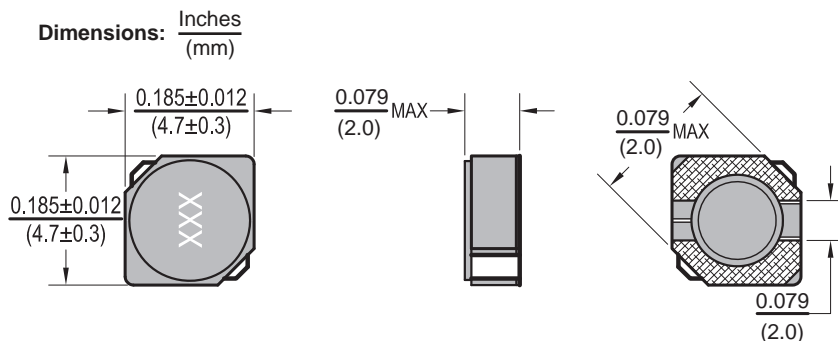
1 (Unlimited)

ECCN:

EAR99



# Power Chip Shielded Inductors PCS4D18



Allied Part Number	Inductance ( $\mu\text{H}$ )	Tolerance (%)	Test Freq.	DCR ( $\Omega$ )	Rated Current (A) Max.
PCS4D18-1R0N-RC	1.0	30	7.96 MHz	0.045	1.72
PCS4D18-1R5N-RC	1.5	30	7.96 MHz	0.060	1.50
PCS4D18-1R8N-RC	1.8	30	7.96 MHz	0.070	1.35
PCS4D18-2R2N-RC	2.2	20,30	7.96 MHz	0.075	1.32
PCS4D18-2R7N-RC	2.7	30	7.96 MHz	0.105	1.28
PCS4D18-3R3N-RC	3.3	20,30	7.96 MHz	0.110	1.04
PCS4D18-3R9N-RC	3.9	30	7.96 MHz	0.155	0.88
PCS4D18-4R7N-RC	4.7	30	7.96 MHz	0.162	0.84
PCS4D18-5R6N-RC	5.6	30	7.96 MHz	0.170	0.80
PCS4D18-6R3N-RC	6.3	30	7.96 MHz	0.180	0.78
PCS4D18-6R8N-RC	6.8	20,30	7.96 MHz	0.200	0.76
PCS4D18-8R2N-RC	8.2	30	7.96 MHz	0.245	0.68
PCS4D18-100N-RC	10	20,30	100 KHz	0.280	0.61
PCS4D18-120N-RC	12	30	100 KHz	0.320	0.56
PCS4D18-150N-RC	15	30	100 KHz	0.360	0.50
PCS4D18-180N-RC	18	30	100 KHz	0.400	0.48
PCS4D18-220N-RC	22	20,30	100 KHz	0.480	0.41
PCS4D18-270N-RC	27	30	100 KHz	0.570	0.35
PCS4D18-330N-RC	33	30	100 KHz	0.694	0.32
PCS4D18-390N-RC	39	30	100 KHz	0.800	0.30
PCS4D18-470N-RC	47	30	100 KHz	0.950	0.28
PCS4D18-560N-RC	56	30	100 KHz	1.080	0.26
PCS4D18-680N-RC	68	30	100 KHz	1.300	0.24
PCS4D18-101N-RC	100	30	100 KHz	2.000	0.20
PCS4D18-151N-RC	150	30	100 KHz	2.840	0.15

For 20% tolerance replace the "N" in the part number with "M".  
All specifications subject to change without notice.

## Features

- Shielded SMD Power Inductor
- Available in magnetically shielded
- Ideal for DC-DC converter applications

## Electrical

**Inductance Range:** 1 $\mu\text{H}$  to 150 $\mu\text{H}$   
**Tolerance:** 30% over entire range, some values available in 20% where indicated.  
**Operating Temp:** -30°C ~ +100°C  
**IDC:** Current at which inductance drops by 35% of initial value or  $\Delta T=40^\circ\text{C}$  lower, whichever is lower.

## Resistance to Soldering Heat

Pre-Heat 150°C, 1 min.  
**Solder Temp:** 260°C  $\pm$  5°C for 10sec  $\pm$  1sec.  
**Solder Composition:** Sn/Ag3.0/Cu0.5

## Test Equipment

**(L):** HP 4192A LF Impedance Analyzer  
**(RDC):** Chen Hwa 502  
**Rate Current:** HP4284+HP42841A or  
 Chen Hwa 1061 + Chen Hwa 301A

## Physical

**Packaging:** 2000 pieces per 13 inch reel  
**Marking:** EIA Inductance Code

## OUR CERTIFICATE

DiGi provide top-quality products and perfect service for customer worldwide through standardization, technological innovation and continuous improvement. DiGi through third-party certification, we strictly control the quality of products and services. Welcome your RFQ to

Email: [Info@DiGi-Electronics.com](mailto:Info@DiGi-Electronics.com)



Tel: +00 852-30501935

RFQ Email: [Info@DiGi-Electronics.com](mailto:Info@DiGi-Electronics.com)

DiGi is a global authorized distributor of electronic components.