

CD15CD080D03F Datasheet

www.digi-electronics.com



<https://www.DiGi-Electronics.com>

| | |
|------------------------------|--|
| DiGi Electronics Part Number | CD15CD080D03F-DG |
| Manufacturer | Cornell Dubilier Electronics (CDE) |
| Manufacturer Product Number | CD15CD080D03F |
| Description | CAP MICA 8PF 0.5PF 500V RADIAL |
| Detailed Description | 8 pF Mica Capacitor 500 V Radial |

This model CD15CD080D03F is available at DiGi Electronics.

DiGi Electronics offers a global database of semiconductor and electronic component datasheets.

We welcome your inquiries regarding pricing, lead time, or other product-related questions.

 [Request a Quote](#)

 [Datasheet Search](#)



Tel: +00 852-30501935

RFQ Email: Info@DiGi-Electronics.com

DiGi is a global authorized distributor of electronic components.

Purchase and inquiry

Manufacturer Product Number:

CD15CD080D03F

Series:

CD15

Capacitance:

8 pF

Voltage - Rated:

500 V

Operating Temperature:

-55°C ~ 125°C

Package / Case:

Radial

Features:

General Purpose

Height - Seated (Max):

0.358" (9.10mm)

Manufacturer:

Cornell Dubilier Electronics (CDE)

Product Status:

Active

Tolerance:

±0.5pF

Dielectric Material:

Mica

Mounting Type:

Through Hole

Lead Spacing:

0.232" (5.90mm)

Size / Dimension:

0.449" L x 0.169" W (11.40mm x 4.30mm)

Environmental & Export classification

RoHS Status:

ROHS3 Compliant

REACH Status:

REACH Unaffected

HTSUS:

8532.29.0020

Moisture Sensitivity Level (MSL):

Not Applicable

ECCN:

EAR99

Mica Capacitors, Standard Dipped

Types CD10, D10, CD15, CD19, CD30, CD42, CDV19, CDV30



Stability and mica go hand-in-hand when you need to count on stable capacitance over a wide temperature range. CDE's standard dipped silvered mica capacitors are the first choice for timing and close tolerance applications. These standard types are widely available through distribution.

Highlights

- Reel packaging available
- High temperature – up to +150 °C
- Dimensions meet EIA RS153B specification
- 100,000 V/μs dV/dt pulse capability minimum
- Non-flammable units that meet IEC 695-2-2 are available

[Click here to see ordering information](#)

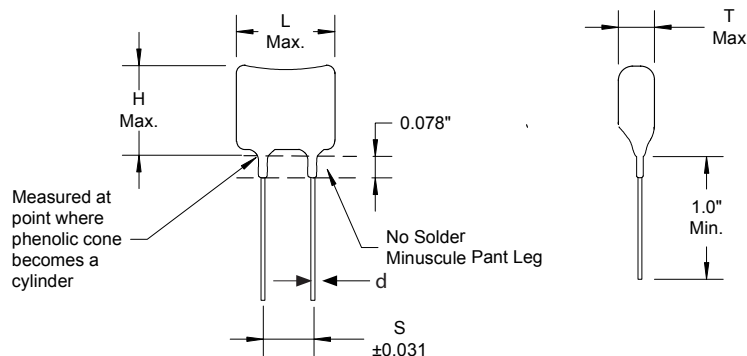
Specifications

| | |
|-------------------------------|--|
| Capacitance Range | 1 pF to 91,000 pF |
| Capacitance Tolerance | ±1/2 pF (D), ±1 pF (C), ±1/2% (E), ±1% (F), ±2% (G), ±5% (J) |
| Rated Voltage | 100 Vdc to 2500 Vdc |
| Operating Temperature Range | -55 °C to +125 °C (O) -55 °C to +150 °C (P)* |
| Dielectric Strength Test | 200% of rated voltage |
| Regulatory Information | |

* P temperature range available for types CD10, CD15, CD19, CD30 and CD42

Dimensions

| Construction Details | |
|----------------------|--|
| Case Material | Epoxy |
| Terminal Material | Copper clad steel, nickle undercoat, 100% tin finish |



Mica Capacitors, Standard Dipped

Types CD10, D10, CD15, CD19, CD30, CD42, CDV19, CDV30

Ratings

| Cap (pF) | Volts (Vdc) | Catalog Part Number | L (in) (mm) | H (in) (mm) | T (in) (mm) | S (in) (mm) | d (in) (mm) |
|-------------|----------------|------------------------|----------------|----------------|----------------|----------------|----------------|
| 1 | 500 | CD10CD010DO3F | 0.36 (9.1) | 0.33 (8.4) | 0.19 (4.8) | 0.141 (3.6) | 0.016 (.4) |
| 1 | 500 | CD15CD010DO3F | 0.45 (11.4) | 0.36 (9.1) | 0.17 (4.3) | 0.234 (5.9) | 0.025 (.6) |
| 2 | 500 | CD10CD020DO3F | 0.36 (9.1) | 0.33 (8.4) | 0.19 (4.8) | 0.141 (3.6) | 0.016 (.4) |
| 2 | 500 | CD15CD020DO3F | 0.45 (11.4) | 0.36 (9.1) | 0.17 (4.3) | 0.234 (5.9) | 0.025 (.6) |
| 3 | 500 | CD10CD030DO3F | 0.36 (9.1) | 0.33 (8.4) | 0.19 (4.8) | 0.141 (3.6) | 0.016 (.4) |
| 3 | 500 | CD15CD030DO3F | 0.45 (11.4) | 0.36 (9.1) | 0.17 (4.3) | 0.234 (5.9) | 0.025 (.6) |
| 4 | 500 | CD15CD040DO3F | 0.45 (11.4) | 0.36 (9.1) | 0.17 (4.3) | 0.234 (5.9) | 0.025 (.6) |
| 5 | 500 | CD10CD050DO3F | 0.36 (9.1) | 0.33 (8.4) | 0.19 (4.8) | 0.141 (3.6) | 0.016 (.4) |
| 5 | 500 | CD15CD050DO3F | 0.45 (11.4) | 0.36 (9.1) | 0.17 (4.3) | 0.234 (5.9) | 0.025 (.6) |
| 5 | 1,000 | CDV19CF050DO3F | 0.64 (16.3) | 0.50 (12.7) | 0.19 (4.8) | 0.344 (8.7) | 0.032 (.8) |
| 6 | 500 | CD10CD060DO3F | 0.36 (9.1) | 0.33 (8.4) | 0.19 (4.8) | 0.141 (3.6) | 0.016 (.4) |
| 6 | 500 | CD15CD060DO3F | 0.45 (11.4) | 0.36 (9.1) | 0.17 (4.3) | 0.234 (5.9) | 0.025 (.6) |
| 6 | 1,000 | CDV19CF060DO3F | 0.64 (16.3) | 0.50 (12.7) | 0.19 (4.8) | 0.344 (8.7) | 0.032 (.8) |
| 7 | 500 | CD10CD070DO3F | 0.36 (9.1) | 0.33 (8.4) | 0.19 (4.8) | 0.141 (3.6) | 0.016 (.4) |
| 7 | 500 | CD15CD070DO3F | 0.45 (11.4) | 0.36 (9.1) | 0.17 (4.3) | 0.234 (5.9) | 0.025 (.6) |
| 7 | 1,000 | CDV19CF070DO3F | 0.64 (16.3) | 0.50 (12.7) | 0.19 (4.8) | 0.344 (8.7) | 0.032 (.8) |
| 8 | 500 | CD10CD080DO3F | 0.36 (9.1) | 0.33 (8.4) | 0.19 (4.8) | 0.141 (3.6) | 0.016 (.4) |
| 8 | 500 | CD15CD080DO3F | 0.45 (11.4) | 0.36 (9.1) | 0.17 (4.3) | 0.234 (5.9) | 0.025 (.6) |
| 8 | 1,000 | CDV19CF080DO3F | 0.64 (16.3) | 0.50 (12.7) | 0.19 (4.8) | 0.344 (8.7) | 0.032 (.8) |
| 10 | 500 | CD10CD100JO3F | 0.36 (9.1) | 0.33 (8.4) | 0.19 (4.8) | 0.141 (3.6) | 0.016 (.4) |
| 10 | 500 | CD15CD100JO3F | 0.45 (11.4) | 0.36 (9.1) | 0.17 (4.3) | 0.234 (5.9) | 0.025 (.6) |
| 10 | 1,000 | CDV19CF100JO3F | 0.64 (16.3) | 0.50 (12.7) | 0.19 (4.8) | 0.344 (8.7) | 0.032 (.8) |
| 12 | 500 | CD10CD120JO3F | 0.36 (9.1) | 0.33 (8.4) | 0.19 (4.8) | 0.141 (3.6) | 0.016 (.4) |
| 12 | 500 | CD15CD120JO3F | 0.45 (11.4) | 0.36 (9.1) | 0.17 (4.3) | 0.234 (5.9) | 0.025 (.6) |
| 12 | 1,000 | CDV19CF120JO3F | 0.64 (16.3) | 0.50 (12.7) | 0.19 (4.8) | 0.344 (8.7) | 0.032 (.8) |
| 15 | 500 | CD10CD150JO3F | 0.36 (9.1) | 0.33 (8.4) | 0.19 (4.8) | 0.141 (3.6) | 0.016 (.4) |
| 15 | 500 | CD15CD150JO3F | 0.45 (11.4) | 0.36 (9.1) | 0.17 (4.3) | 0.234 (5.9) | 0.025 (.6) |
| 15 | 1000 | CDV19CF150JO3F | 0.64 (16.3) | 0.50 (12.7) | 0.19 (4.8) | 0.344 (8.7) | 0.032 (.8) |
| 18 | 500 | CD10CD180JO3F | 0.36 (9.1) | 0.33 (8.4) | 0.19 (4.8) | 0.141 (3.6) | 0.016 (.4) |
| 18 | 500 | CD15CD180JO3F | 0.45 (11.4) | 0.36 (9.1) | 0.17 (4.3) | 0.234 (5.9) | 0.025 (.6) |
| 18 | 1000 | CDV19CF180JO3F | 0.64 (16.3) | 0.50 (12.7) | 0.19 (4.8) | 0.344 (8.7) | 0.032 (. 8) |
| 20 | 500 | CD10ED200JO3F | 0.36 (9.1) | 0.33 (8.4) | 0.19 (4.8) | 0.141 (3.6) | 0.016 (. 4) |
| 20 | 500 | CD15ED200JO3F | 0.45 (11.4) | 0.36 (9.1) | 0.17 (4.3) | 0.234 (5.9) | 0.025 (. 6) |
| 20 | 1000 | CDV19EF200JO3F | 0.64 (16.3) | 0.50 (12.7) | 0.19 (4.8) | 0.344 (8.7) | 0.032 (. 8) |
| 22 | 500 | CD10ED220JO3F | 0.36 (9.1) | 0.33 (8.4) | 0.19 (4.8) | 0.141 (3.6) | 0.016 (. 4) |
| 22 | 500 | CD15ED220JO3F | 0.45 (11.4) | 0.36 (9.1) | 0.17 (4.3) | 0.234 (5.9) | 0.025 (. 6) |
| 22 | 1000 | CDV19EF220JO3F | 0.64 (16.3) | 0.50 (12.7) | 0.19 (4.8) | 0.344 (8.7) | 0.032 (. 8) |
| 24 | 500 | CD10ED240JO3F | 0.36 (9.1) | 0.33 (8.4) | 0.19 (4.8) | 0.141 (3.6) | 0.016 (. 4) |
| 24 | 500 | CD15ED240JO3F | 0.45 (11.4) | 0.36 (9.1) | 0.17 (4.3) | 0.234 (5.9) | 0.025 (. 6) |
| 24 | 1000 | CDV19EF240JO3F | 0.64 (16.3) | 0.50 (12.7) | 0.19 (4.8) | 0.344 (8.7) | 0.032 (. 8) |
| 24 | 1,500 | CDV30EH240JO3F | 0.77 (19.6) | 0.85 (21.6) | 0.25 (6.4) | 0.438 (11.1) | 0.040 (1.0) |
| 24 | 2000 | CDV30EJ240JO3F | 0.77 (19.6) | 0.86 (21.8) | 0.25 (6.4) | 0.438 (11.1) | 0.040 (1.0) |
| 24 | 2500 | CDV30EK240JO3F | 0.78 (19.8) | 0.86 (21.8) | 0.25 (6.4) | 0.438 (11.1) | 0.040 (1.0) |
| 27 | 500 | CD10ED270JO3F | 0.37 (9.4) | 0.33 (8.4) | 0.19 (4.8) | 0.141 (3.6) | 0.016 (. 4) |
| 27 | 500 | CD15ED270JO3F | 0.45 (11.4) | 0.36 (9.1) | 0.17 (4.3) | 0.234 (5.9) | 0.025 (. 6) |

Mica Capacitors, Standard Dipped

Types CD10, D10, CD15, CD19, CD30, CD42, CDV19, CDV30

| Cap (pF) | Volts (Vdc) | Catalog Part Number | L (in) (mm) | H (in) (mm) | T (in) (mm) | S (in) (mm) | d (in) (mm) |
|-------------|----------------|------------------------|----------------|----------------|----------------|----------------|----------------|
| 27 | 1000 | CDV19EF270JO3F | 0.64 (16.3) | 0.50 (12.7) | 0.19 (4.8) | 0.344 (8.7) | 0.032 (.8) |
| 27 | 1500 | CDV30EH270JO3F | 0.77 (19.6) | 0.85 (21.6) | 0.25 (6.4) | 0.438 (11.1) | 0.040 (1.0) |
| 27 | 2000 | CDV30EJ270JO3F | 0.77 (19.6) | 0.86 (21.8) | 0.25 (6.4) | 0.438 (11.1) | 0.040 (1.0) |
| 27 | 2500 | CDV30EK270JO3F | 0.78 (19.8) | 0.86 (21.8) | 0.25 (6.4) | 0.438 (11.1) | 0.040 (1.0) |
| 30 | 500 | CD10ED300JO3F | 0.37 (9.4) | 0.34 (8.6) | 0.19 (4.8) | 0.141 (3.6) | 0.016 (.4) |
| 30 | 500 | CD15ED300JO3F | 0.45 (11.4) | 0.36 (9.1) | 0.17 (4.3) | 0.234 (5.9) | 0.025 (.6) |
| 30 | 1000 | CDV19EF300JO3F | 0.64 (16.3) | 0.50 (12.7) | 0.19 (4.8) | 0.344 (8.7) | 0.032 (.8) |
| 30 | 1500 | CDV30EH300JO3F | 0.77 (19.6) | 0.85 (21.6) | 0.25 (6.4) | 0.438 (11.1) | 0.040 (1.0) |
| 30 | 2000 | CDV30EJ300JO3F | 0.77 (19.6) | 0.86 (21.8) | 0.25 (6.4) | 0.438 (11.1) | 0.040 (1.0) |
| 30 | 2,500 | CDV30EK300JO3F | 0.78 (19.8) | 0.86 (21.8) | 0.25 (6.4) | 0.438 (11.1) | 0.040 (1.0) |
| 33 | 500 | CD10ED330JO3F | 0.37 (9.4) | 0.34 (8.6) | 0.19 (4.8) | 0.141 (3.6) | 0.016 (.4) |
| 33 | 500 | CD15ED330JO3F | 0.45 (11.4) | 0.36 (9.1) | 0.17 (4.3) | 0.234 (5.9) | 0.025 (.6) |
| 33 | 1,000 | CDV19EF330JO3F | 0.64 (16.3) | 0.50 (12.7) | 0.19 (4.8) | 0.344 (8.7) | 0.032 (.8) |
| 33 | 1500 | CDV30EH330JO3F | 0.77 (19.6) | 0.85 (21.6) | 0.25 (6.4) | 0.438 (11.1) | 0.040 (1.0) |
| 33 | 2000 | CDV30EJ330JO3F | 0.77 (19.6) | 0.86 (21.8) | 0.25 (6.4) | 0.438 (11.1) | 0.040 (1.0) |
| 33 | 2,500 | CDV30EK330JO3F | 0.78 (19.8) | 0.86 (21.8) | 0.25 (6.4) | 0.438 (11.1) | 0.040 (1.0) |
| 36 | 500 | CD10ED360JO3F | 0.37 (9.4) | 0.34 (8.6) | 0.19 (4.8) | 0.141 (3.6) | 0.016 (.4) |
| 36 | 500 | CD15ED360JO3F | 0.45 (11.4) | 0.36 (9.1) | 0.17 (4.3) | 0.234 (5.9) | 0.025 (.6) |
| 36 | 1,000 | CDV19EF360JO3F | 0.64 (16.3) | 0.50 (12.7) | 0.19 (4.8) | 0.344 (8.7) | 0.032 (.8) |
| 36 | 1500 | CDV30EH360JO3F | 0.77 (19.6) | 0.85 (21.6) | 0.25 (6.4) | 0.438 (11.1) | 0.040 (1.0) |
| 36 | 2000 | CDV30EJ360JO3F | 0.77 (19.6) | 0.86 (21.8) | 0.25 (6.4) | 0.438 (11.1) | 0.040 (1.0) |
| 36 | 2,500 | CDV30EK360JO3F | 0.78 (19.8) | 0.86 (21.8) | 0.25 (6.4) | 0.438 (11.1) | 0.040 (1.0) |
| 39 | 500 | CD10ED390JO3F | 0.37 (9.4) | 0.34 (8.6) | 0.19 (4.8) | 0.141 (3.6) | 0.016 (.4) |
| 39 | 500 | CD15ED390JO3F | 0.45 (11.4) | 0.36 (9.1) | 0.17 (4.3) | 0.234 (5.9) | 0.025 (.6) |
| 39 | 1,000 | CDV19EF390JO3F | 0.64 (16.3) | 0.50 (12.7) | 0.19 (4.8) | 0.344 (8.7) | 0.032 (.8) |
| 39 | 1500 | CDV30EH390JO3F | 0.77 (19.6) | 0.85 (21.6) | 0.25 (6.4) | 0.438 (11.1) | 0.040 (1.0) |
| 39 | 2000 | CDV30EJ390JO3F | 0.77 (19.6) | 0.86 (21.8) | 0.25 (6.4) | 0.438 (11.1) | 0.040 (1.0) |
| 39 | 2500 | CDV30EK390JO3F | 0.78 (19.8) | 0.86 (21.8) | 0.25 (6.4) | 0.438 (11.1) | 0.040 (1.0) |
| 43 | 500 | CD10ED430JO3F | 0.37 (9.4) | 0.34 (8.6) | 0.19 (4.8) | 0.141 (3.6) | 0.016 (.4) |
| 43 | 500 | CD15ED430JO3F | 0.45 (11.4) | 0.36 (9.1) | 0.17 (4.3) | 0.234 (5.9) | 0.025 (.6) |
| 43 | 1000 | CDV19EF430JO3F | 0.64 (16.3) | 0.50 (12.7) | 0.19 (4.8) | 0.344 (8.7) | 0.032 (.8) |
| 43 | 1500 | CDV30EH430JO3F | 0.77 (19.6) | 0.85 (21.6) | 0.25 (6.4) | 0.438 (11.1) | 0.040 (1.0) |
| 43 | 2000 | CDV30EJ430JO3F | 0.77 (19.6) | 0.86 (21.8) | 0.25 (6.4) | 0.438 (11.1) | 0.040 (1.0) |
| 43 | 2500 | CDV30EK430JO3F | 0.78 (19.8) | 0.86 (21.8) | 0.25 (6.4) | 0.438 (11.1) | 0.040 (1.0) |
| 47 | 500 | CD10ED470JO3F | 0.37 (9.4) | 0.34 (8.6) | 0.19 (4.8) | 0.141 (3.6) | 0.016 (.4) |
| 47 | 500 | CD15ED470JO3F | 0.45 (11.4) | 0.36 (9.1) | 0.17 (4.3) | 0.234 (5.9) | 0.025 (.6) |
| 47 | 1000 | CDV19EF470JO3F | 0.64 (16.3) | 0.50 (12.7) | 0.19 (4.8) | 0.344 (8.7) | 0.032 (.8) |
| 47 | 1,500 | CDV30EH470JO3F | 0.77 (19.6) | 0.85 (21.6) | 0.25 (6.4) | 0.438 (11.1) | 0.040 (1.0) |
| 47 | 2000 | CDV30EJ470JO3F | 0.77 (19.6) | 0.86 (21.8) | 0.25 (6.4) | 0.438 (11.1) | 0.040 (1.0) |
| 47 | 2500 | CDV30EK470JO3F | 0.78 (19.8) | 0.86 (21.8) | 0.25 (6.4) | 0.438 (11.1) | 0.040 (1.0) |
| 50 | 500 | CD10ED500JO3F | 0.37 (9.4) | 0.34 (8.6) | 0.19 (4.8) | 0.141 (3.6) | 0.016 (.4) |
| 50 | 500 | CD15ED500JO3F | 0.45 (11.4) | 0.36 (9.1) | 0.17 (4.3) | 0.234 (5.9) | 0.025 (.6) |
| 50 | 1000 | CDV19EF500JO3F | 0.64 (16.3) | 0.50 (12.7) | 0.19 (4.8) | 0.344 (8.7) | 0.032 (.8) |
| 50 | 1,500 | CDV30EH500JO3F | 0.77 (19.6) | 0.85 (21.6) | 0.25 (6.4) | 0.438 (11.1) | 0.040 (1.0) |
| 50 | 2,000 | CDV30EJ500JO3F | 0.77 (19.6) | 0.86 (21.8) | 0.25 (6.4) | 0.438 (11.1) | 0.040 (1.0) |

Mica Capacitors, Standard Dipped

Types CD10, D10, CD15, CD19, CD30, CD42, CDV19, CDV30

| Cap (pF) | Volts (Vdc) | Catalog Part Number | L (in) (mm) | H (in) (mm) | T (in) (mm) | S (in) (mm) | d (in) (mm) |
|-------------|----------------|------------------------|----------------|----------------|----------------|----------------|----------------|
| 50 | 2500 | CDV30EK500JO3F | 0.78 (19.8) | 0.86 (21.8) | 0.25 (6.4) | 0.438 (11.1) | 0.040 (1.0) |
| 51 | 500 | CD10ED510JO3F | 0.37 (9.4) | 0.34 (8.6) | 0.19 (4.8) | 0.141 (3.6) | 0.016 (. 4) |
| 51 | 500 | CD15ED510JO3F | 0.45 (11.4) | 0.36 (9.1) | 0.17 (4.3) | 0.234 (5.9) | 0.025 (. 6) |
| 51 | 1000 | CDV19EF510JO3F | 0.64 (16.3) | 0.50 (12.7) | 0.19 (4.8) | 0.344 (8.7) | 0.032 (. 8) |
| 51 | 1500 | CDV30EH510JO3F | 0.77 (19.6) | 0.85 (21.6) | 0.25 (6.4) | 0.438 (11.1) | 0.040 (1.0) |
| 51 | 2000 | CDV30EJ510JO3F | 0.77 (19.6) | 0.86 (21.8) | 0.25 (6.4) | 0.438 (11.1) | 0.040 (1.0) |
| 51 | 2500 | CDV30EK510JO3F | 0.78 (19.8) | 0.86 (21.8) | 0.25 (6.4) | 0.438 (11.1) | 0.040 (1.0) |
| 56 | 500 | CD10ED560JO3F | 0.37 (9.4) | 0.34 (8.6) | 0.19 (4.8) | 0.141 (3.6) | 0.016 (. 4) |
| 56 | 500 | CD15ED560JO3F | 0.45 (11.4) | 0.36 (9.1) | 0.17 (4.3) | 0.234 (5.9) | 0.025 (. 6) |
| 56 | 1,000 | CDV19EF560JO3F | 0.64 (16.3) | 0.50 (12.7) | 0.19 (4.8) | 0.344 (8.7) | 0.032 (. 8) |
| 56 | 1500 | CDV30EH560JO3F | 0.77 (19.6) | 0.85 (21.6) | 0.25 (6.4) | 0.438 (11.1) | 0.040 (1.0) |
| 56 | 2500 | CDV30EK560JO3F | 0.78 (19.8) | 0.86 (21.8) | 0.25 (6.4) | 0.438 (11.1) | 0.040 (1.0) |
| 62 | 500 | CD10ED620JO3F | 0.37 (9.4) | 0.34 (8.6) | 0.19 (4.8) | 0.141 (3.6) | 0.016 (. 4) |
| 62 | 500 | CD15ED620JO3F | 0.45 (11.4) | 0.36 (9.1) | 0.17 (4.3) | 0.234 (5.9) | 0.025 (. 6) |
| 62 | 1000 | CDV19EF620JO3F | 0.64 (16.3) | 0.50 (12.7) | 0.19 (4.8) | 0.344 (8.7) | 0.032 (. 8) |
| 62 | 1,500 | CDV30EH620JO3F | 0.77 (19.6) | 0.85 (21.6) | 0.25 (6.4) | 0.438 (11.1) | 0.040 (1.0) |
| 62 | 2000 | CDV30EJ620JO3F | 0.77 (19.6) | 0.86 (21.8) | 0.25 (6.4) | 0.438 (11.1) | 0.040 (1.0) |
| 62 | 2500 | CDV30EK620JO3F | 0.78 (19.8) | 0.86 (21.8) | 0.25 (6.4) | 0.438 (11.1) | 0.040 (1.0) |
| 68 | 500 | CD10ED680JO3F | 0.37 (9.4) | 0.34 (8.6) | 0.19 (4.8) | 0.141 (3.6) | 0.016 (. 4) |
| 68 | 500 | CD15ED680JO3F | 0.45 (11.4) | 0.36 (9.1) | 0.18 (4.6) | 0.234 (5.9) | 0.025 (. 6) |
| 68 | 1000 | CDV19EF680JO3F | 0.64 (16.3) | 0.50 (12.7) | 0.19 (4.8) | 0.344 (8.7) | 0.032 (. 8) |
| 68 | 1,500 | CDV30EH680JO3F | 0.77 (19.6) | 0.85 (21.6) | 0.25 (6.4) | 0.438 (11.1) | 0.040 (1.0) |
| 68 | 2000 | CDV30EJ680JO3F | 0.77 (19.6) | 0.86 (21.8) | 0.25 (6.4) | 0.438 (11.1) | 0.040 (1.0) |
| 68 | 2500 | CDV30EK680JO3F | 0.78 (19.8) | 0.86 (21.8) | 0.25 (6.4) | 0.438 (11.1) | 0.040 (1.0) |
| 75 | 500 | CD10ED750JO3F | 0.37 (9.4) | 0.34 (8.6) | 0.20 (5.1) | 0.141 (3.6) | 0.016 (. 4) |
| 75 | 500 | CD15ED750JO3F | 0.45 (11.4) | 0.36 (9.1) | 0.18 (4.6) | 0.234 (5.9) | 0.025 (. 6) |
| 75 | 1000 | CDV19EF750JO3F | 0.64 (16.3) | 0.50 (12.7) | 0.19 (4.8) | 0.344 (8.7) | 0.032 (. 8) |
| 75 | 1500 | CDV30EH750JO3F | 0.77 (19.6) | 0.85 (21.6) | 0.25 (6.4) | 0.438 (11.1) | 0.040 (1.0) |
| 75 | 2000 | CDV30EJ750JO3F | 0.77 (19.6) | 0.86 (21.8) | 0.25 (6.4) | 0.438 (11.1) | 0.040 (1.0) |
| 75 | 2500 | CDV30EK750JO3F | 0.78 (19.8) | 0.86 (21.8) | 0.25 (6.4) | 0.438 (11.1) | 0.040 (1.0) |
| 82 | 500 | CD10ED820JO3F | 0.37 (9.4) | 0.35 (8.9) | 0.20 (5.1) | 0.141 (3.6) | 0.016 (. 4) |
| 82 | 500 | CD15ED820JO3F | 0.45 (11.4) | 0.36 (9.1) | 0.18 (4.6) | 0.234 (5.9) | 0.025 (. 6) |
| 82 | 1000 | CDV19EF820JO3F | 0.64 (16.3) | 0.50 (12.7) | 0.19 (4.8) | 0.344 (8.7) | 0.032 (. 8) |
| 82 | 1500 | CDV30EH820JO3F | 0.77 (19.6) | 0.85 (21.6) | 0.25 (6.4) | 0.438 (11.1) | 0.040 (1.0) |
| 82 | 2,000 | CDV30EJ820JO3F | 0.77 (19.6) | 0.86 (21.8) | 0.25 (6.4) | 0.438 (11.1) | 0.040 (1.0) |
| 82 | 2500 | CDV30EK820JO3F | 0.78 (19.8) | 0.86 (21.8) | 0.25 (6.4) | 0.438 (11.1) | 0.040 (1.0) |
| 91 | 500 | CD10FD910JO3F | 0.37 (9.4) | 0.35 (8.9) | 0.20 (5.1) | 0.141 (3.6) | 0.016 (. 4) |
| 91 | 500 | CD15FD910JO3F | 0.46 (11.7) | 0.36 (9.1) | 0.18 (4.6) | 0.234 (5.9) | 0.025 (. 6) |
| 91 | 1000 | CDV19FF910JO3F | 0.64 (16.3) | 0.50 (12.7) | 0.19 (4.8) | 0.344 (8.7) | 0.032 (. 8) |
| 91 | 1500 | CDV30FH910JO3F | 0.77 (19.6) | 0.85 (21.6) | 0.25 (6.4) | 0.438 (11.1) | 0.040 (1.0) |
| 91 | 2,000 | CDV30FJ910JO3F | 0.77 (19.6) | 0.86 (21.8) | 0.25 (6.4) | 0.438 (11.1) | 0.040 (1.0) |
| 91 | 2500 | CDV30FK910JO3F | 0.78 (19.8) | 0.86 (21.8) | 0.25 (6.4) | 0.438 (11.1) | 0.040 (1.0) |
| 100 | 500 | CD10FD101JO3F | 0.37 (9.4) | 0.35 (8.9) | 0.20 (5.1) | 0.141 (3.6) | 0.016 (. 4) |
| 100 | 500 | CD15FD101JO3F | 0.46 (11.7) | 0.36 (9.1) | 0.18 (4.6) | 0.234 (5.9) | 0.025 (. 6) |
| 100 | 500 | CD19FD101JO3F | 0.64 (16.3) | 0.50 (12.7) | 0.19 (4.8) | 0.344 (8.7) | 0.032 (. 8) |

Mica Capacitors, Standard Dipped

Types CD10, D10, CD15, CD19, CD30, CD42, CDV19, CDV30

| Cap (pF) | Volts (Vdc) | Catalog Part Number | L (in) (mm) | H (in) (mm) | T (in) (mm) | S (in) (mm) | d (in) (mm) |
|-------------|----------------|------------------------|----------------|----------------|----------------|----------------|----------------|
| 100 | 1000 | CDV19FF101JO3F | 0.64 (16.3) | 0.50 (12.7) | 0.19 (4.8) | 0.344 (8.7) | 0.032 (.8) |
| 100 | 1500 | CDV30FH101JO3F | 0.77 (19.6) | 0.85 (21.6) | 0.25 (6.4) | 0.438 (11.1) | 0.040 (1.0) |
| 100 | 2,000 | CDV30FJ101JO3F | 0.77 (19.6) | 0.86 (21.8) | 0.25 (6.4) | 0.438 (11.1) | 0.040 (1.0) |
| 100 | 2,500 | CDV30FK101JO3F | 0.78 (19.8) | 0.86 (21.8) | 0.25 (6.4) | 0.438 (11.1) | 0.040 (1.0) |
| 110 | 500 | CD10FD111JO3F | 0.38 (9.7) | 0.35 (8.9) | 0.20 (5.1) | 0.141 (3.6) | 0.016 (.4) |
| 110 | 500 | CD15FD111JO3F | 0.46 (11.7) | 0.37 (9.4) | 0.18 (4.6) | 0.234 (5.9) | 0.025 (.6) |
| 110 | 1000 | CDV19FF111JO3F | 0.64 (16.3) | 0.50 (12.7) | 0.19 (4.8) | 0.344 (8.7) | 0.032 (.8) |
| 110 | 1500 | CDV30FH111JO3F | 0.77 (19.6) | 0.85 (21.6) | 0.25 (6.4) | 0.438 (11.1) | 0.040 (1.0) |
| 110 | 2,000 | CDV30FJ111JO3F | 0.77 (19.6) | 0.86 (21.8) | 0.25 (6.4) | 0.438 (11.1) | 0.040 (1.0) |
| 110 | 2,500 | CDV30FK111JO3F | 0.78 (19.8) | 0.86 (21.8) | 0.25 (6.4) | 0.438 (11.1) | 0.040 (1.0) |
| 120 | 500 | CD10FD121JO3F | 0.38 (9.7) | 0.35 (8.9) | 0.20 (5.1) | 0.141 (3.6) | 0.016 (.4) |
| 120 | 500 | CD15FD121JO3F | 0.46 (11.7) | 0.37 (9.4) | 0.18 (4.6) | 0.234 (5.9) | 0.025 (.6) |
| 120 | 500 | CD19FD121JO3F | 0.64 (16.3) | 0.50 (12.7) | 0.19 (4.8) | 0.344 (8.7) | 0.032 (.8) |
| 120 | 1000 | CDV19FF121JO3F | 0.64 (16.3) | 0.50 (12.7) | 0.19 (4.8) | 0.344 (8.7) | 0.032 (.8) |
| 120 | 1,500 | CDV30FH121JO3F | 0.77 (19.6) | 0.85 (21.6) | 0.25 (6.4) | 0.438 (11.1) | 0.040 (1.0) |
| 120 | 2,000 | CDV30FJ121JO3F | 0.77 (19.6) | 0.86 (21.8) | 0.25 (6.4) | 0.438 (11.1) | 0.040 (1.0) |
| 120 | 2,500 | CDV30FK121JO3F | 0.78 (19.8) | 0.86 (21.8) | 0.25 (6.4) | 0.438 (11.1) | 0.040 (1.0) |
| 130 | 500 | CD10FD131JO3F | 0.38 (9.7) | 0.36 (9.1) | 0.20 (5.1) | 0.141 (3.6) | 0.016 (.4) |
| 130 | 500 | CD15FD131JO3F | 0.46 (11.7) | 0.37 (9.4) | 0.18 (4.6) | 0.234 (5.9) | 0.025 (.6) |
| 130 | 1000 | CDV19FF131JO3F | 0.64 (16.3) | 0.50 (12.7) | 0.19 (4.8) | 0.344 (8.7) | 0.032 (.8) |
| 130 | 1,500 | CDV30FH131JO3F | 0.77 (19.6) | 0.85 (21.6) | 0.25 (6.4) | 0.438 (11.1) | 0.040 (1.0) |
| 130 | 2,000 | CDV30FJ131JO3F | 0.77 (19.6) | 0.86 (21.8) | 0.25 (6.4) | 0.438 (11.1) | 0.040 (1.0) |
| 150 | 500 | CD10FD151JO3F | 0.38 (9.7) | 0.36 (9.1) | 0.21 (5.3) | 0.141 (3.6) | 0.016 (.4) |
| 150 | 500 | CD15FD151JO3F | 0.46 (11.7) | 0.37 (9.4) | 0.19 (4.8) | 0.234 (5.9) | 0.025 (.6) |
| 150 | 500 | CD19FD151JO3F | 0.64 (16.3) | 0.50 (12.7) | 0.19 (4.8) | 0.344 (8.7) | 0.032 (.8) |
| 150 | 1000 | CDV19FF151JO3F | 0.64 (16.3) | 0.50 (12.7) | 0.19 (4.8) | 0.344 (8.7) | 0.032 (.8) |
| 150 | 1,500 | CDV30FH151JO3F | 0.77 (19.6) | 0.85 (21.6) | 0.25 (6.4) | 0.438 (11.1) | 0.040 (1.0) |
| 150 | 2,000 | CDV30FJ151JO3F | 0.77 (19.6) | 0.86 (21.8) | 0.25 (6.4) | 0.438 (11.1) | 0.040 (1.0) |
| 160 | 500 | CD10FD161JO3F | 0.38 (9.7) | 0.36 (9.1) | 0.21 (5.3) | 0.141 (3.6) | 0.016 (.4) |
| 160 | 500 | CD15FD161JO3F | 0.46 (11.7) | 0.37 (9.4) | 0.19 (4.8) | 0.234 (5.9) | 0.025 (.6) |
| 160 | 1000 | CDV19FF161JO3F | 0.64 (16.3) | 0.50 (12.7) | 0.19 (4.8) | 0.344 (8.7) | 0.032 (.8) |
| 160 | 1500 | CDV30FH161JO3F | 0.77 (19.6) | 0.85 (21.6) | 0.25 (6.4) | 0.438 (11.1) | 0.040 (1.0) |
| 160 | 2,000 | CDV30FJ161JO3F | 0.77 (19.6) | 0.86 (21.8) | 0.25 (6.4) | 0.438 (11.1) | 0.040 (1.0) |
| 180 | 500 | CD10FD181JO3F | 0.39 (9.9) | 0.37 (9.4) | 0.21 (5.3) | 0.141 (3.6) | 0.016 (.4) |
| 180 | 500 | CD15FD181JO3F | 0.46 (11.7) | 0.37 (9.4) | 0.19 (4.8) | 0.234 (5.9) | 0.025 (.6) |
| 180 | 500 | CD19FD181JO3F | 0.64 (16.3) | 0.50 (12.7) | 0.19 (4.8) | 0.344 (8.7) | 0.032 (.8) |
| 180 | 1000 | CDV19FF181JO3F | 0.64 (16.3) | 0.50 (12.7) | 0.19 (4.8) | 0.344 (8.7) | 0.032 (.8) |
| 180 | 1,500 | CDV30FH181JO3F | 0.77 (19.6) | 0.85 (21.6) | 0.25 (6.4) | 0.438 (11.1) | 0.040 (1.0) |
| 180 | 2,000 | CDV30FJ181JO3F | 0.77 (19.6) | 0.86 (21.8) | 0.25 (6.4) | 0.438 (11.1) | 0.040 (1.0) |
| 200 | 500 | CD10FD201JO3F | 0.39 (9.9) | 0.37 (9.4) | 0.21 (5.3) | 0.141 (3.6) | 0.016 (.4) |
| 200 | 500 | CD15FD201JO3F | 0.46 (11.7) | 0.38 (9.7) | 0.19 (4.8) | 0.234 (5.9) | 0.025 (.6) |
| 200 | 1000 | CDV19FF201JO3F | 0.64 (16.3) | 0.50 (12.7) | 0.19 (4.8) | 0.344 (8.7) | 0.032 (.8) |
| 200 | 1500 | CDV30FH201JO3F | 0.77 (19.6) | 0.85 (21.6) | 0.25 (6.4) | 0.438 (11.1) | 0.040 (1.0) |

Mica Capacitors, Standard Dipped

Types CD10, D10, CD15, CD19, CD30, CD42, CDV19, CDV30

| Cap (pF) | Volts (Vdc) | Catalog Part Number | L (in) (mm) | H (in) (mm) | T (in) (mm) | S (in) (mm) | d (in) (mm) |
|-------------|----------------|------------------------|----------------|----------------|----------------|----------------|----------------|
| 200 | 2000 | CDV30FJ201JO3F | 0.77 (19.6) | 0.86 (21.8) | 0.25 (6.4) | 0.438 (11.1) | 0.040 (1.0) |
| 220 | 500 | CD10FD221JO3F | 0.39 (9.9) | 0.38 (9.7) | 0.22 (5.6) | 0.141 (3.6) | 0.016 (.4) |
| 220 | 500 | CD15FD221JO3F | 0.46 (11.7) | 0.38 (9.7) | 0.20 (5.1) | 0.234 (5.9) | 0.025 (.6) |
| 220 | 500 | CD19FD221JO3F | 0.64 (16.3) | 0.50 (12.7) | 0.19 (4.8) | 0.344 (8.7) | 0.032 (.8) |
| 220 | 1000 | CDV19FF221JO3F | 0.64 (16.3) | 0.50 (12.7) | 0.19 (4.8) | 0.344 (8.7) | 0.032 (.8) |
| 220 | 1500 | CDV30FH221JO3F | 0.77 (19.6) | 0.85 (21.6) | 0.25 (6.4) | 0.438 (11.1) | 0.040 (1.0) |
| 220 | 2000 | CDV30FJ221JO3F | 0.77 (19.6) | 0.86 (21.8) | 0.25 (6.4) | 0.438 (11.1) | 0.040 (1.0) |
| 240 | 500 | CD10FD241JO3F | 0.39 (9.9) | 0.38 (9.7) | 0.22 (5.6) | 0.141 (3.6) | 0.016 (.4) |
| 240 | 500 | CD10FD241JO3F | 0.39 (9.9) | 0.38 (9.7) | 0.22 (5.6) | 0.141 (3.6) | 0.016 (.4) |
| 240 | 500 | CD15FD241JO3F | 0.46 (11.7) | 0.38 (9.7) | 0.20 (5.1) | 0.234 (5.9) | 0.025 (.6) |
| 240 | 500 | CD19FD241JO3F | 0.64 (16.3) | 0.50 (12.7) | 0.19 (4.8) | 0.344 (8.7) | 0.032 (.8) |
| 240 | 1000 | CDV19FF241JO3F | 0.64 (16.3) | 0.50 (12.7) | 0.19 (4.8) | 0.344 (8.7) | 0.032 (.8) |
| 240 | 1,500 | CDV30FH241JO3F | 0.77 (19.6) | 0.85 (21.6) | 0.25 (6.4) | 0.438 (11.1) | 0.040 (1.0) |
| 240 | 2000 | CDV30FJ241JO3F | 0.77 (19.6) | 0.86 (21.8) | 0.25 (6.4) | 0.438 (11.1) | 0.040 (1.0) |
| 250 | 500 | CD10FD251JO3F | 0.39 (9.9) | 0.38 (9.7) | 0.22 (5.6) | 0.141 (3.6) | 0.016 (.4) |
| 250 | 500 | CD15FD251JO3F | 0.47 (11.9) | 0.39 (9.9) | 0.21 (5.3) | 0.234 (5.9) | 0.025 (.6) |
| 250 | 500 | CD19FD251JO3F | 0.64 (16.3) | 0.50 (12.7) | 0.19 (4.8) | 0.344 (8.7) | 0.032 (.8) |
| 270 | 300 | CD10FC271JO3F | 0.39 (9.9) | 0.38 (9.7) | 0.22 (5.6) | 0.141 (3.6) | 0.016 (.4) |
| 270 | 500 | CD19FD271JO3F | 0.64 (16.3) | 0.50 (12.7) | 0.19 (4.8) | 0.344 (8.7) | 0.032 (.8) |
| 270 | 500 | D105F271JO3F | 0.39 (9.9) | 0.38 (9.7) | 0.22 (5.6) | 0.141 (3.6) | 0.016 (.4) |
| 270 | 500 | CD15FD271JO3F | 0.47 (11.9) | 0.39 (9.9) | 0.21 (5.3) | 0.234 (5.9) | 0.025 (.6) |
| 270 | 1,000 | CDV19FF271JO3F | 0.64 (16.3) | 0.50 (12.7) | 0.19 (4.8) | 0.344 (8.7) | 0.032 (.8) |
| 270 | 1500 | CDV30FH271JO3F | 0.77 (19.6) | 0.85 (21.6) | 0.25 (6.4) | 0.438 (11.1) | 0.040 (1.0) |
| 270 | 2000 | CDV30FJ271JO3F | 0.77 (19.6) | 0.86 (21.8) | 0.25 (6.4) | 0.438 (11.1) | 0.040 (1.0) |
| 300 | 300 | CD10FC301JO3F | 0.39 (9.9) | 0.38 (9.7) | 0.22 (5.6) | 0.141 (3.6) | 0.016 (.4) |
| 300 | 500 | D105F301JO3F | 0.39 (9.9) | 0.38 (9.7) | 0.22 (5.6) | 0.141 (3.6) | 0.016 (.4) |
| 300 | 500 | CD15FD301JO3F | 0.47 (11.9) | 0.39 (9.9) | 0.21 (5.3) | 0.234 (5.9) | 0.025 (.6) |
| 300 | 500 | CD19FD301JO3F | 0.64 (16.3) | 0.50 (12.7) | 0.19 (4.8) | 0.344 (8.7) | 0.032 (.8) |
| 300 | 2000 | CDV30FJ301JO3F | 0.77 (19.6) | 0.86 (21.8) | 0.25 (6.4) | 0.438 (11.1) | 0.040 (1.0) |
| 330 | 100 | CD10FA331JO3F | 0.39 (9.9) | 0.37 (9.4) | 0.22 (5.6) | 0.141 (3.6) | 0.016 (.4) |
| 330 | 500 | D105F331JO3F | 0.39 (9.9) | 0.38 (9.7) | 0.22 (5.6) | 0.141 (3.6) | 0.016 (.4) |
| 330 | 500 | CD15FD331JO3F | 0.47 (11.9) | 0.39 (9.9) | 0.21 (5.3) | 0.234 (5.9) | 0.025 (.6) |
| 330 | 500 | CD19FD331JO3F | 0.64 (16.3) | 0.50 (12.7) | 0.19 (4.8) | 0.344 (8.7) | 0.032 (.8) |
| 330 | 2000 | CDV30FJ331JO3F | 0.77 (19.6) | 0.86 (21.8) | 0.25 (6.4) | 0.438 (11.1) | 0.040 (1.0) |
| 330 | 2,500 | CDV30FK331JO3F | 0.78 (19.8) | 0.87 (22.1) | 0.25 (6.4) | 0.438 (11.1) | 0.040 (1.0) |
| 360 | 100 | CD10FA361JO3F | 0.39 (9.9) | 0.38 (9.7) | 0.22 (5.6) | 0.141 (3.6) | 0.016 (.4) |
| 360 | 500 | D105F361JO3F | 0.39 (9.9) | 0.38 (9.7) | 0.22 (5.6) | 0.141 (3.6) | 0.016 (.4) |
| 360 | 500 | CD15FD361JO3F | 0.47 (11.9) | 0.39 (9.9) | 0.21 (5.3) | 0.234 (5.9) | 0.025 (.6) |
| 360 | 500 | CD19FD361JO3F | 0.64 (16.3) | 0.51 (13.0) | 0.20 (5.1) | 0.344 (8.7) | 0.032 (.8) |
| 390 | 100 | CD10FA391JO3F | 0.39 (9.9) | 0.38 (9.7) | 0.22 (5.6) | 0.141 (3.6) | 0.016 (.4) |
| 390 | 500 | D105F391JO3F | 0.39 (9.9) | 0.38 (9.7) | 0.22 (5.6) | 0.141 (3.6) | 0.016 (.4) |
| 390 | 500 | CD15FD391JO3F | 0.47 (11.9) | 0.39 (9.9) | 0.21 (5.3) | 0.234 (5.9) | 0.025 (.6) |
| 390 | 500 | CD19FD391JO3F | 0.64 (16.3) | 0.51 (13.0) | 0.20 (5.1) | 0.344 (8.7) | 0.032 (.8) |

Mica Capacitors, Standard Dipped

Types CD10, D10, CD15, CD19, CD30, CD42, CDV19, CDV30

| Cap (pF) | Volts (Vdc) | Catalog Part Number | L (in) (mm) | H (in) (mm) | T (in) (mm) | S (in) (mm) | d (in) (mm) |
|-------------|----------------|------------------------|----------------|----------------|----------------|----------------|----------------|
| 390 | 1000 | CDV19FF391JO3F | 0.65 (16.5) | 0.51 (13.0) | 0.20 (5.1) | 0.344 (8.7) | 0.032 (.8) |
| 390 | 1500 | CDV30FH391JO3F | 0.77 (19.6) | 0.85 (21.6) | 0.25 (6.4) | 0.438 (11.1) | 0.040 (1.0) |
| 400 | 100 | CD10FA401JO3F | 0.39 (9.9) | 0.38 (9.7) | 0.22 (5.6) | 0.141 (3.6) | 0.016 (.4) |
| 430 | 500 | D105F431JO3F | 0.39 (9.9) | 0.38 (9.7) | 0.22 (5.6) | 0.141 (3.6) | 0.016 (.4) |
| 430 | 500 | CD15FD431JO3F | 0.47 (11.9) | 0.39 (9.9) | 0.21 (5.3) | 0.234 (5.9) | 0.025 (.6) |
| 430 | 500 | CD19FD431JO3F | 0.64 (16.3) | 0.51 (13.0) | 0.20 (5.1) | 0.344 (8.7) | 0.032 (.8) |
| 430 | 1500 | CDV30FH431JO3F | 0.77 (19.6) | 0.85 (21.6) | 0.25 (6.4) | 0.438 (11.1) | 0.040 (1.0) |
| 470 | 500 | D105F471JO3F | 0.39 (9.9) | 0.38 (9.7) | 0.22 (5.6) | 0.141 (3.6) | 0.016 (.4) |
| 470 | 500 | CD15FD471JO3F | 0.47 (11.9) | 0.40 (10.2) | 0.22 (5.6) | 0.234 (5.9) | 0.025 (.6) |
| 470 | 500 | CD19FD471JO3F | 0.64 (16.3) | 0.51 (13.0) | 0.20 (5.1) | 0.344 (8.7) | 0.032 (.8) |
| 470 | 1500 | CDV30FH471JO3F | 0.77 (19.6) | 0.85 (21.6) | 0.25 (6.4) | 0.438 (11.1) | 0.040 (1.0) |
| 470 | 2000 | CDV30FJ471JO3F | 0.77 (19.6) | 0.87 (22.1) | 0.26 (6.6) | 0.438 (11.1) | 0.040 (1.0) |
| 470 | 2,500 | CDV30FK471JO3F | 0.78 (19.8) | 0.87 (22.1) | 0.27 (6.9) | 0.438 (11.1) | 0.040 (1.0) |
| 500 | 500 | D105F501JO3F | 0.39 (9.9) | 0.38 (9.7) | 0.22 (5.6) | 0.141 (3.6) | 0.016 (.4) |
| 500 | 500 | CD15FD501JO3F | 0.47 (11.9) | 0.40 (10.2) | 0.22 (5.6) | 0.234 (5.9) | 0.025 (.6) |
| 500 | 500 | CD19FD501JO3F | 0.64 (16.3) | 0.51 (13.0) | 0.20 (5.1) | 0.344 (8.7) | 0.032 (.8) |
| 500 | 1500 | CDV30FH501JO3F | 0.77 (19.6) | 0.85 (21.6) | 0.25 (6.4) | 0.438 (11.1) | 0.040 (1.0) |
| 500 | 2000 | CDV30FJ501JO3F | 0.77 (19.6) | 0.87 (22.1) | 0.26 (6.6) | 0.438 (11.1) | 0.040 (1.0) |
| 500 | 2,500 | CDV30FK501JO3F | 0.78 (19.8) | 0.87 (22.1) | 0.27 (6.9) | 0.438 (11.1) | 0.040 (1.0) |
| 510 | 500 | D105F511JO3F | 0.39 (9.9) | 0.38 (9.7) | 0.22 (5.6) | 0.141 (3.6) | 0.016 (.4) |
| 510 | 500 | CD15FD511JO3F | 0.47 (11.9) | 0.40 (10.2) | 0.22 (5.6) | 0.234 (5.9) | 0.025 (.6) |
| 510 | 500 | CD19FD511JO3F | 0.65 (16.5) | 0.51 (13.0) | 0.20 (5.1) | 0.344 (8.7) | 0.032 (.8) |
| 510 | 1500 | CDV30FH511JO3F | 0.77 (19.6) | 0.85 (21.6) | 0.25 (6.4) | 0.438 (11.1) | 0.040 (1.0) |
| 510 | 2000 | CDV30FJ511JO3F | 0.77 (19.6) | 0.87 (22.1) | 0.26 (6.6) | 0.438 (11.1) | 0.040 (1.0) |
| 510 | 2,500 | CDV30FK511JO3F | 0.78 (19.8) | 0.87 (22.1) | 0.27 (6.9) | 0.438 (11.1) | 0.040 (1.0) |
| 560 | 300 | D103F561JO3F | 0.39 (9.9) | 0.38 (9.7) | 0.22 (5.6) | 0.141 (3.6) | 0.016 (.4) |
| 560 | 300 | CD15FC561JO3F | 0.46 (11.7) | 0.38 (9.7) | 0.21 (5.3) | 0.234 (5.9) | 0.025 (.6) |
| 560 | 500 | CD19FD561JO3F | 0.65 (16.5) | 0.51 (13.0) | 0.20 (5.1) | 0.344 (8.7) | 0.032 (.8) |
| 560 | 1000 | CDV19FF561JO3F | 0.65 (16.5) | 0.51 (13.0) | 0.21 (5.3) | 0.344 (8.7) | 0.032 (.8) |
| 560 | 1000 | CDV30FF561JO3F | 0.77 (19.6) | 0.85 (21.6) | 0.25 (6.4) | 0.438 (11.1) | 0.040 (1.0) |
| 560 | 1500 | CDV30FH561JO3F | 0.77 (19.6) | 0.85 (21.6) | 0.25 (6.4) | 0.438 (11.1) | 0.040 (1.0) |
| 560 | 2000 | CDV30FJ561JO3F | 0.77 (19.6) | 0.87 (22.1) | 0.26 (6.6) | 0.438 (11.1) | 0.040 (1.0) |
| 560 | 2500 | CDV30FK561JO3F | 0.78 (19.8) | 0.87 (22.1) | 0.27 (6.9) | 0.438 (11.1) | 0.040 (1.0) |
| 620 | 300 | D103F621JO3F | 0.39 (9.9) | 0.38 (9.7) | 0.22 (5.6) | 0.141 (3.6) | 0.016 (.4) |
| 620 | 300 | CD15FC621JO3F | 0.46 (11.7) | 0.38 (9.7) | 0.21 (5.3) | 0.234 (5.9) | 0.025 (.6) |
| 620 | 500 | CD19FD621JO3F | 0.65 (16.5) | 0.51 (13.0) | 0.20 (5.1) | 0.344 (8.7) | 0.032 (.8) |
| 620 | 1500 | CDV30FH621JO3F | 0.77 (19.6) | 0.85 (21.6) | 0.25 (6.4) | 0.438 (11.1) | 0.040 (1.0) |
| 620 | 2000 | CDV30FJ621JO3F | 0.77 (19.6) | 0.87 (22.1) | 0.26 (6.6) | 0.438 (11.1) | 0.040 (1.0) |
| 620 | 2,500 | CDV30FK621JO3F | 0.78 (19.8) | 0.87 (22.1) | 0.27 (6.9) | 0.438 (11.1) | 0.040 (1.0) |
| 680 | 300 | D103F681JO3F | 0.39 (9.9) | 0.38 (9.7) | 0.22 (5.6) | 0.141 (3.6) | 0.016 (.4) |
| 680 | 300 | CD15FC681JO3F | 0.47 (11.9) | 0.39 (9.9) | 0.21 (5.3) | 0.234 (5.9) | 0.025 (.6) |
| 680 | 500 | CD19FD681JO3F | 0.65 (16.5) | 0.51 (13.0) | 0.21 (5.3) | 0.344 (8.7) | 0.032 (.8) |
| 680 | 1000 | CDV19FF681JO3F | 0.66 (16.8) | 0.52 (13.2) | 0.22 (5.6) | 0.344 (8.7) | 0.032 (.8) |
| 680 | 1500 | CDV30FH681JO3F | 0.77 (19.6) | 0.85 (21.6) | 0.25 (6.4) | 0.438 (11.1) | 0.040 (1.0) |

Mica Capacitors, Standard Dipped**Types CD10, D10, CD15, CD19, CD30, CD42, CDV19, CDV30**

| Cap (pF) | Volts (Vdc) | Catalog Part Number | L (in) (mm) | H (in) (mm) | T (in) (mm) | S (in) (mm) | d (in) (mm) |
|-------------|----------------|------------------------|----------------|----------------|----------------|----------------|----------------|
| 680 | 2000 | CDV30FJ681JO3F | 0.77 (19.6) | 0.87 (22.1) | 0.26 (6.6) | 0.438 (11.1) | 0.040 (1.0) |
| 680 | 2500 | CDV30FK681JO3F | 0.78 (19.8) | 0.87 (22.1) | 0.27 (6.9) | 0.438 (11.1) | 0.040 (1.0) |
| 750 | 300 | D1O3F751JO3F | 0.39 (9.9) | 0.38 (9.7) | 0.22 (5.6) | 0.141 (3.6) | 0.016 (.4) |
| 750 | 300 | CD15FC751JO3F | 0.47 (11.9) | 0.39 (9.9) | 0.21 (5.3) | 0.234 (5.9) | 0.025 (.6) |
| 750 | 500 | CD19FD751JO3F | 0.65 (16.5) | 0.51 (13.0) | 0.21 (5.3) | 0.344 (8.7) | 0.032 (.8) |
| 750 | 1500 | CDV30FH751JO3F | 0.77 (19.6) | 0.85 (21.6) | 0.25 (6.4) | 0.438 (11.1) | 0.040 (1.0) |
| 750 | 2000 | CDV30FJ751JO3F | 0.77 (19.6) | 0.87 (22.1) | 0.26 (6.6) | 0.438 (11.1) | 0.040 (1.0) |
| 750 | 2500 | CDV30FK751JO3F | 0.78 (19.8) | 0.87 (22.1) | 0.27 (6.9) | 0.438 (11.1) | 0.040 (1.0) |
| 820 | 300 | D1O3F821JO3F | 0.39 (9.9) | 0.38 (9.7) | 0.22 (5.6) | 0.141 (3.6) | 0.016 (.4) |
| 820 | 300 | CD15FC821JO3F | 0.47 (11.9) | 0.39 (9.9) | 0.21 (5.3) | 0.234 (5.9) | 0.025 (.6) |
| 820 | 500 | CD19FD821JO3F | 0.65 (16.5) | 0.51 (13.0) | 0.21 (5.3) | 0.344 (8.7) | 0.032 (.8) |
| 820 | 1000 | CDV19FF821JO3F | 0.66 (16.8) | 0.53 (13.5) | 0.23 (5.8) | 0.344 (8.7) | 0.032 (.8) |
| 820 | 1,500 | CDV30FH821JO3F | 0.77 (19.6) | 0.85 (21.6) | 0.25 (6.4) | 0.438 (11.1) | 0.040 (1.0) |
| 820 | 2000 | CDV30FJ821JO3F | 0.77 (19.6) | 0.87 (22.1) | 0.26 (6.6) | 0.438 (11.1) | 0.040 (1.0) |
| 820 | 2500 | CDV30FK821JO3F | 0.78 (19.8) | 0.87 (22.1) | 0.27 (6.9) | 0.438 (11.1) | 0.040 (1.0) |
| 910 | 100 | D101F911JO3F | 0.39 (9.9) | 0.38 (9.7) | 0.22 (5.6) | 0.141 (3.6) | 0.016 (.4) |
| 910 | 100 | CD15FA911JO3F | 0.47 (11.9) | 0.40 (10.2) | 0.22 (5.6) | 0.234 (5.9) | 0.025 (.6) |
| 910 | 500 | CD19FD911JO3F | 0.65 (16.5) | 0.51 (13.0) | 0.21 (5.3) | 0.344 (8.7) | 0.032 (.8) |
| 910 | 1,000 | CDV19FF911JO3F | 0.67 (17.0) | 0.53 (13.5) | 0.24 (6.1) | 0.344 (8.7) | 0.032 (.8) |
| 910 | 1500 | CDV30FH911JO3F | 0.77 (19.6) | 0.85 (21.6) | 0.25 (6.4) | 0.438 (11.1) | 0.040 (1.0) |
| 910 | 2000 | CDV30FJ911JO3F | 0.78 (19.8) | 0.88 (22.4) | 0.28 (7.1) | 0.438 (11.1) | 0.040 (1.0) |
| 910 | 2,500 | CDV30FK911JO3F | 0.78 (19.8) | 0.87 (22.1) | 0.29 (7.4) | 0.438 (11.1) | 0.040 (1.0) |
| 1000 | 100 | D101F102JO3F | 0.39 (9.9) | 0.38 (9.7) | 0.22 (5.6) | 0.141 (3.6) | 0.016 (.4) |
| 1000 | 100 | CD15FA102JO3F | 0.48 (12.2) | 0.40 (10.2) | 0.23 (5.8) | 0.234 (5.9) | 0.025 (.6) |
| 1000 | 500 | CD19FD102JO3F | 0.65 (16.5) | 0.52 (13.2) | 0.22 (5.6) | 0.344 (8.7) | 0.032 (.8) |
| 1000 | 1000 | CDV19FF102JO3F | 0.67 (17.0) | 0.53 (13.5) | 0.25 (6.4) | 0.344 (8.7) | 0.032 (.8) |
| 1000 | 1500 | CDV30FH102JO3F | 0.77 (19.6) | 0.86 (21.8) | 0.26 (6.6) | 0.438 (11.1) | 0.040 (1.0) |
| 1000 | 2000 | CDV30FJ102JO3F | 0.78 (19.8) | 0.88 (22.4) | 0.28 (7.1) | 0.438 (11.1) | 0.040 (1.0) |
| 1000 | 2500 | CDV30FK102JO3F | 0.79 (20.1) | 0.88 (22.4) | 0.31 (7.9) | 0.438 (11.1) | 0.040 (1.0) |
| 1100 | 100 | D101F112JO3F | 0.39 (9.9) | 0.38 (9.7) | 0.22 (5.6) | 0.141 (3.6) | 0.016 (.4) |
| 1100 | 100 | CD15FA112JO3F | 0.49 (12.4) | 0.42 (10.7) | 0.24 (6.1) | 0.234 (5.9) | 0.025 (.6) |
| 1100 | 500 | CD19FD112JO3F | 0.65 (16.5) | 0.52 (13.2) | 0.22 (5.6) | 0.344 (8.7) | 0.032 (.8) |
| 1100 | 1000 | CDV19FF112JO3F | 0.67 (17.0) | 0.53 (13.5) | 0.25 (6.4) | 0.344 (8.7) | 0.032 (.8) |
| 1100 | 1500 | CDV30FH112JO3F | 0.77 (19.6) | 0.86 (21.8) | 0.26 (6.6) | 0.438 (11.1) | 0.040 (1.0) |
| 1200 | 100 | D101F122JO3F | 0.39 (9.9) | 0.38 (9.7) | 0.22 (5.6) | 0.141 (3.6) | 0.016 (.4) |
| 1200 | 100 | CD15FA122JO3F | 0.49 (12.4) | 0.42 (10.7) | 0.24 (6.1) | 0.234 (5.9) | 0.025 (.6) |
| 1200 | 500 | CD19FD122JO3F | 0.66 (16.8) | 0.52 (13.2) | 0.22 (5.6) | 0.344 (8.7) | 0.032 (.8) |
| 1200 | 1,500 | CDV30FH122JO3F | 0.77 (19.6) | 0.86 (21.8) | 0.26 (6.6) | 0.438 (11.1) | 0.040 (1.0) |
| 1200 | 2000 | CDV30FJ122JO3F | 0.78 (19.8) | 0.88 (22.4) | 0.28 (7.1) | 0.438 (11.1) | 0.040 (1.0) |
| 1200 | 2500 | CDV30FK122JO3F | 0.79 (20.1) | 0.88 (22.4) | 0.31 (7.9) | 0.438 (11.1) | 0.040 (1.0) |
| 1300 | 100 | D101F132JO3F | 0.39 (9.9) | 0.38 (9.7) | 0.22 (5.6) | 0.141 (3.6) | 0.016 (.4) |
| 1300 | 500 | CD19FD132JO3F | 0.66 (16.8) | 0.52 (13.2) | 0.22 (5.6) | 0.344 (8.7) | 0.032 (.8) |
| 1300 | 1000 | CDV19FF132JO3F | 0.67 (17.0) | 0.54 (13.7) | 0.26 (6.6) | 0.344 (8.7) | 0.032 (.8) |

Mica Capacitors, Standard Dipped

Types CD10, D10, CD15, CD19, CD30, CD42, CDV19, CDV30

| Cap (pF) | Volts (Vdc) | Catalog Part Number | L (in) (mm) | H (in) (mm) | T (in) (mm) | S (in) (mm) | d (in) (mm) |
|-------------|----------------|------------------------|----------------|----------------|----------------|----------------|----------------|
| 1300 | 1500 | CDV30FH132JO3F | 0.78 (19.8) | 0.87 (22.1) | 0.27 (6.9) | 0.438 (11.1) | 0.040 (1.0) |
| 1300 | 2000 | CDV30FJ132JO3F | 0.78 (19.8) | 0.88 (22.4) | 0.30 (7.6) | 0.438 (11.1) | 0.040 (1.0) |
| 1300 | 2500 | CDV30FK132JO3F | 0.80 (20.3) | 0.89 (22.6) | 0.33 (8.4) | 0.438 (11.1) | 0.040 (1.0) |
| 1500 | 100 | D101F152JO3F | 0.39 (9.9) | 0.38 (9.7) | 0.22 (5.6) | 0.141 (3.6) | 0.016 (.4) |
| 1500 | 100 | CD15FA152JO3F | 0.50 (12.7) | 0.43 (10.9) | 0.25 (6.4) | 0.234 (5.9) | 0.025 (.6) |
| 1500 | 500 | CD19FD152JO3F | 0.66 (16.8) | 0.52 (13.2) | 0.23 (5.8) | 0.344 (8.7) | 0.032 (.8) |
| 1500 | 1000 | CDV19FF152JO3F | 0.68 (17.3) | 0.54 (13.7) | 0.27 (6.9) | 0.344 (8.7) | 0.032 (.8) |
| 1500 | 1500 | CDV30FH152JO3F | 0.78 (19.8) | 0.87 (22.1) | 0.28 (7.1) | 0.438 (11.1) | 0.040 (1.0) |
| 1500 | 2000 | CDV30FJ152JO3F | 0.79 (20.1) | 0.89 (22.6) | 0.32 (8.1) | 0.438 (11.1) | 0.040 (1.0) |
| 1500 | 2,500 | CDV30FK152JO3F | 0.80 (20.3) | 0.89 (22.6) | 0.35 (8.9) | 0.438 (11.1) | 0.040 (1.0) |
| 1600 | 500 | CD19FD162JO3F | 0.66 (16.8) | 0.53 (13.5) | 0.23 (5.8) | 0.344 (8.7) | 0.032 (.8) |
| 1600 | 1000 | CDV19FF162JO3F | 0.68 (17.3) | 0.55 (14.0) | 0.28 (7.1) | 0.344 (8.7) | 0.032 (.8) |
| 1600 | 1,500 | CDV30FH162JO3F | 0.78 (19.8) | 0.87 (22.1) | 0.28 (7.1) | 0.438 (11.1) | 0.040 (1.0) |
| 1600 | 2000 | CDV30FJ162JO3F | 0.79 (20.1) | 0.89 (22.6) | 0.32 (8.1) | 0.438 (11.1) | 0.040 (1.0) |
| 1600 | 2500 | CDV30FK162JO3F | 0.80 (20.3) | 0.89 (22.6) | 0.35 (8.9) | 0.438 (11.1) | 0.040 (1.0) |
| 1800 | 500 | CD19FD182JO3F | 0.67 (17.0) | 0.53 (13.5) | 0.24 (6.1) | 0.344 (8.7) | 0.032 (.8) |
| 1800 | 1000 | CDV19FF182JO3F | 0.68 (17.3) | 0.55 (14.0) | 0.29 (7.4) | 0.344 (8.7) | 0.032 (.8) |
| 1800 | 1500 | CDV30FH182JO3F | 0.78 (19.8) | 0.87 (22.1) | 0.29 (7.4) | 0.438 (11.1) | 0.040 (1.0) |
| 1800 | 2,000 | CDV30FJ182JO3F | 0.79 (20.1) | 0.89 (22.6) | 0.34 (8.6) | 0.438 (11.1) | 0.040 (1.0) |
| 1800 | 2500 | CDV30FK182JO3F | 0.81 (20.6) | 0.90 (22.9) | 0.37 (9.4) | 0.438 (11.1) | 0.040 (1.0) |
| 2000 | 500 | CD19FD202JO3F | 0.67 (17.0) | 0.53 (13.5) | 0.24 (6.1) | 0.344 (8.7) | 0.032 (.8) |
| 2000 | 500 | CD30FD202JO3F | 0.77 (19.6) | 0.85 (21.6) | 0.24 (6.1) | 0.438 (11.1) | 0.040 (1.0) |
| 2000 | 1000 | CDV19FF202JO3F | 0.68 (17.3) | 0.56 (14.2) | 0.30 (7.6) | 0.344 (8.7) | 0.032 (.8) |
| 2000 | 1500 | CDV30FH202JO3F | 0.78 (19.8) | 0.87 (22.1) | 0.30 (7.6) | 0.438 (11.1) | 0.040 (1.0) |
| 2100 | 2,000 | CDV30FJ212JO3F | 0.80 (20.3) | 0.90 (22.9) | 0.36 (9.1) | 0.438 (11.1) | 0.040 (1.0) |
| 2100 | 2500 | CDV30FK212JO3F | 0.82 (20.8) | 0.91 (23.1) | 0.39 (9.9) | 0.438 (11.1) | 0.040 (1.0) |
| 2200 | 500 | CD19FD222JO3F | 0.67 (17.0) | 0.53 (13.5) | 0.25 (6.4) | 0.344 (8.7) | 0.032 (.8) |
| 2200 | 500 | CD30FD222JO3F | 0.77 (19.6) | 0.85 (21.6) | 0.25 (6.4) | 0.438 (11.1) | 0.040 (1.0) |
| 2200 | 1000 | CDV19FF222JO3F | 0.69 (17.5) | 0.56 (14.2) | 0.31 (7.9) | 0.344 (8.7) | 0.032 (.8) |
| 2200 | 1500 | CDV30FH222JO3F | 0.79 (20.1) | 0.88 (22.4) | 0.31 (7.9) | 0.438 (11.1) | 0.040 (1.0) |
| 2400 | 500 | CD19FD242JO3F | 0.67 (17.0) | 0.54 (13.7) | 0.26 (6.6) | 0.344 (8.7) | 0.032 (.8) |
| 2400 | 500 | CD30FD242JO3F | 0.77 (19.6) | 0.85 (21.6) | 0.25 (6.4) | 0.438 (11.1) | 0.040 (1.0) |
| 2400 | 1000 | CDV19FF242JO3F | 0.69 (17.5) | 0.57 (14.5) | 0.32 (8.1) | 0.344 (8.7) | 0.032 (.8) |
| 2400 | 1500 | CDV30FH242JO3F | 0.79 (20.1) | 0.88 (22.4) | 0.32 (8.1) | 0.438 (11.1) | 0.040 (1.0) |
| 2400 | 2,000 | CDV30FJ242JO3F | 0.80 (20.3) | 0.90 (22.9) | 0.38 (9.7) | 0.438 (11.1) | 0.040 (1.0) |
| 2400 | 2500 | CDV30FK242JO3F | 0.82 (20.8) | 0.91 (23.1) | 0.42 (10.7) | 0.438 (11.1) | 0.040 (1.0) |
| 2500 | 500 | CD19FD252JO3F | 0.68 (17.3) | 0.54 (13.7) | 0.26 (6.6) | 0.344 (8.7) | 0.032 (.8) |
| 2500 | 500 | CD30FD252JO3F | 0.77 (19.6) | 0.85 (21.6) | 0.25 (6.4) | 0.438 (11.1) | 0.040 (1.0) |
| 2500 | 1500 | CDV30FH252JO3F | 0.79 (20.1) | 0.88 (22.4) | 0.32 (8.1) | 0.438 (11.1) | 0.040 (1.0) |
| 2500 | 2000 | CDV30FJ252JO3F | 0.80 (20.3) | 0.90 (22.9) | 0.38 (9.7) | 0.438 (11.1) | 0.040 (1.0) |
| 2500 | 2,500 | CDV30FK252JO3F | 0.82 (20.8) | 0.91 (23.1) | 0.42 (10.7) | 0.438 (11.1) | 0.040 (1.0) |
| 2700 | 500 | CD19FD272JO3F | 0.68 (17.3) | 0.54 (13.7) | 0.27 (6.9) | 0.344 (8.7) | 0.032 (.8) |
| 2700 | 500 | CD30FD272JO3F | 0.77 (19.6) | 0.85 (21.6) | 0.25 (6.4) | 0.438 (11.1) | 0.040 (1.0) |

Mica Capacitors, Standard Dipped

Types CD10, D10, CD15, CD19, CD30, CD42, CDV19, CDV30

| Cap (pF) | Volts (Vdc) | Catalog Part Number | L (in) (mm) | H (in) (mm) | T (in) (mm) | S (in) (mm) | d (in) (mm) |
|-------------|----------------|------------------------|----------------|----------------|----------------|----------------|----------------|
| 2700 | 1000 | CDV19FF272JO3F | 0.70 (17.8) | 0.57 (14.5) | 0.34(8.6) | 0.344 (8.7) | 0.032 (.8) |
| 2700 | 1500 | CDV30FH272JO3F | 0.79 (20.1) | 0.88 (22.4) | 0.33(8.4) | 0.438 (11.1) | 0.040 (1.0) |
| 2700 | 2000 | CDV30FJ272JO3F | 0.81 (20.6) | 0.91 (23.1) | 0.40(10.2) | 0.438 (11.1) | 0.040 (1.0) |
| 2700 | 2500 | CDV30FK272JO3F | 0.83 (21.1) | 0.92 (23.4) | 0.45(11.4) | 0.438 (11.1) | 0.040 (1.0) |
| 3000 | 500 | CD19FD302JO3F | 0.68 (17.3) | 0.55 (14.0) | 0.28(7.1) | 0.344 (8.7) | 0.032 (.8) |
| 3000 | 500 | CD30FD302JO3F | 0.77 (19.6) | 0.86 (21.8) | 0.25(6.4) | 0.438 (11.1) | 0.040 (1.0) |
| 3000 | 1000 | CDV19FF302JO3F | 0.71 (18.0) | 0.58 (14.7) | 0.36(9.1) | 0.344 (8.7) | 0.032 (.8) |
| 3000 | 1500 | CDV30FH302JO3F | 0.80 (20.3) | 0.89 (22.6) | 0.34(8.6) | 0.438 (11.1) | 0.040 (1.0) |
| 3000 | 2000 | CDV30FJ302JO3F | 0.81 (20.6) | 0.91 (23.1) | 0.42(10.7) | 0.438 (11.1) | 0.040 (1.0) |
| 3000 | 2,500 | CDV30FK302JO3F | 0.84 (21.3) | 0.93 (23.6) | 0.48(12.2) | 0.438 (11.1) | 0.040 (1.0) |
| 3300 | 500 | CD19FD332JO3F | 0.68 (17.3) | 0.55 (14.0) | 0.29(7.4) | 0.344 (8.7) | 0.032 (.8) |
| 3300 | 500 | CD30FD332JO3F | 0.77 (19.6) | 0.86 (21.8) | 0.25(6.4) | 0.438 (11.1) | 0.040 (1.0) |
| 3300 | 1,000 | CDV19FF332JO3F | 0.72 (18.3) | 0.59 (15.0) | 0.38(9.7) | 0.344 (8.7) | 0.032 (.8) |
| 3300 | 1500 | CDV30FH332JO3F | 0.80 (20.3) | 0.89 (22.6) | 0.35(8.9) | 0.438 (11.1) | 0.040 (1.0) |
| 3300 | 2000 | CDV30FJ332JO3F | 0.82 (20.8) | 0.92 (23.4) | 0.44(11.2) | 0.438 (11.1) | 0.040 (1.0) |
| 3600 | 500 | CD19FD362JO3F | 0.68 (17.3) | 0.56 (14.2) | 0.30(7.6) | 0.344 (8.7) | 0.032 (.8) |
| 3600 | 500 | CD30FD362JO3F | 0.77 (19.6) | 0.86 (21.8) | 0.26(6.6) | 0.438 (11.1) | 0.040 (1.0) |
| 3600 | 1000 | CDV19FF362JO3F | 0.73 (18.5) | 0.60 (15.2) | 0.40(10.2) | 0.344 (8.7) | 0.032 (.8) |
| 3600 | 1000 | CDV30FF362JO3F | 0.80 (20.3) | 0.89 (22.6) | 0.35(8.9) | 0.438 (11.1) | 0.040 (1.0) |
| 3600 | 1,500 | CDV30FH362JO3F | 0.80 (20.3) | 0.89 (22.6) | 0.35(8.9) | 0.438 (11.1) | 0.040 (1.0) |
| 3600 | 2000 | CDV30FJ362JO3F | 0.82 (20.8) | 0.92 (23.4) | 0.44(11.2) | 0.438 (11.1) | 0.040 (1.0) |
| 3900 | 500 | CD19FD392JO3F | 0.69 (17.5) | 0.56 (14.2) | 0.31(7.9) | 0.344 (8.7) | 0.032 (.8) |
| 3900 | 500 | CD30FD392JO3F | 0.77 (19.6) | 0.86 (21.8) | 0.26(6.6) | 0.438 (11.1) | 0.040 (1.0) |
| 3900 | 1000 | CDV19FF392JO3F | 0.74 (18.8) | 0.61 (15.5) | 0.42(10.7) | 0.344 (8.7) | 0.032 (.8) |
| 3900 | 1500 | CDV30FH392JO3F | 0.80 (20.3) | 0.89 (22.6) | 0.36(9.1) | 0.438 (11.1) | 0.040 (1.0) |
| 3900 | 2,000 | CDV30FJ392JO3F | 0.83 (21.1) | 0.93 (23.6) | 0.46(11.7) | 0.438 (11.1) | 0.040 (1.0) |
| 4300 | 500 | CD19FD432JO3F | 0.69 (17.5) | 0.57 (14.5) | 0.33(8.4) | 0.344 (8.7) | 0.032 (.8) |
| 4300 | 500 | CD30FD432JO3F | 0.78 (19.8) | 0.86 (21.8) | 0.27(6.9) | 0.438 (11.1) | 0.040 (1.0) |
| 4300 | 1000 | CDV19FF432JO3F | 0.75 (19.1) | 0.62 (15.7) | 0.44(11.2) | 0.344 (8.7) | 0.032 (.8) |
| 4300 | 1500 | CDV30FH432JO3F | 0.81 (20.6) | 0.90 (22.9) | 0.37(9.4) | 0.438 (11.1) | 0.040 (1.0) |
| 4300 | 2000 | CDV30FJ432JO3F | 0.84 (21.3) | 0.93 (23.6) | 0.48(12.2) | 0.438 (11.1) | 0.040 (1.0) |
| 4700 | 500 | CD19FD472JO3F | 0.70 (17.8) | 0.58 (14.7) | 0.35(8.9) | 0.344 (8.7) | 0.032 (.8) |
| 4700 | 500 | CD30FD472JO3F | 0.78 (19.8) | 0.86 (21.8) | 0.27(6.9) | 0.438 (11.1) | 0.040 (1.0) |
| 4700 | 1000 | CDV19FF472JO3F | 0.76 (19.3) | 0.63 (16.0) | 0.46(11.7) | 0.344 (8.7) | 0.032 (.8) |
| 4700 | 1500 | CDV30FH472JO3F | 0.81 (20.6) | 0.90 (22.9) | 0.38(9.7) | 0.438 (11.1) | 0.040 (1.0) |
| 5000 | 500 | CD19FD502JO3F | 0.71 (18.0) | 0.59 (15.0) | 0.37(9.4) | 0.344 (8.7) | 0.032 (.8) |
| 5000 | 500 | CD30FD502JO3F | 0.78 (19.8) | 0.86 (21.8) | 0.28(7.1) | 0.438 (11.1) | 0.040 (1.0) |
| 5000 | 1500 | CDV30FH502JO3F | 0.81 (20.6) | 0.90 (22.9) | 0.38(9.7) | 0.438 (11.1) | 0.040 (1.0) |
| 5100 | 500 | CD19FD512JO3F | 0.71 (18.0) | 0.59 (15.0) | 0.37(9.4) | 0.344 (8.7) | 0.032 (.8) |
| 5100 | 500 | CD30FD512JO3F | 0.78 (19.8) | 0.86 (21.8) | 0.28(7.1) | 0.438 (11.1) | 0.040 (1.0) |
| 5100 | 1000 | CDV30FF512JO3F | 0.79 (20.1) | 0.88 (22.4) | 0.33(8.4) | 0.438 (11.1) | 0.040 (1.0) |
| 5100 | 1,500 | CDV30FH512JO3F | 0.81 (20.6) | 0.90 (22.9) | 0.39(9.9) | 0.438 (11.1) | 0.040 (1.0) |
| 5600 | 300 | CD19FC562JO3F | 0.68 (17.3) | 0.56 (14.2) | 0.31(7.9) | 0.344 (8.7) | 0.032 (.8) |
| 5600 | 500 | CD30FD562JO3F | 0.78 (19.8) | 0.87 (22.1) | 0.29(7.4) | 0.438 (11.1) | 0.040 (1.0) |

Mica Capacitors, Standard Dipped

Types CD10, D10, CD15, CD19, CD30, CD42, CDV19, CDV30

| Cap (pF) | Volts (Vdc) | Catalog Part Number | L (in) (mm) | H (in) (mm) | T (in) (mm) | S (in) (mm) | d (in) (mm) |
|-------------|----------------|------------------------|----------------|----------------|----------------|----------------|----------------|
| 5600 | 1000 | CDV30FF562JO3F | 0.80 (20.3) | 0.89 (22.6) | 0.34(8.6) | 0.438 (11.1) | 0.040 (1.0) |
| 5600 | 1500 | CDV30FH562JO3F | 0.82 (20.8) | 0.91 (23.1) | 0.40(10.2) | 0.438 (11.1) | 0.040 (1.0) |
| 6200 | 300 | CD19FC622JO3F | 0.69 (17.5) | 0.56 (14.2) | 0.32(8.1) | 0.344 (8.7) | 0.032 (.8) |
| 6800 | 300 | CD19FC682JO3F | 0.69 (17.5) | 0.57 (14.5) | 0.33(8.4) | 0.344 (8.7) | 0.032 (.8) |
| 6200 | 500 | CD30FD622JO3F | 0.78 (19.8) | 0.87 (22.1) | 0.29(7.4) | 0.438 (11.1) | 0.040 (1.0) |
| 6200 | 1000 | CDV30FF622JO3F | 0.80 (20.3) | 0.89 (22.6) | 0.35(8.9) | 0.438 (11.1) | 0.040 (1.0) |
| 6200 | 1500 | CDV30FH622JO3F | 0.82 (20.8) | 0.91 (23.1) | 0.41(10.4) | 0.438 (11.1) | 0.040 (1.0) |
| 6800 | 500 | CD30FD682JO3F | 0.78 (19.8) | 0.88 (22.4) | 0.30(7.6) | 0.438 (11.1) | 0.040 (1.0) |
| 6800 | 1000 | CDV30FF682JO3F | 0.80 (20.3) | 0.89 (22.6) | 0.36(9.1) | 0.438 (11.1) | 0.040 (1.0) |
| 6800 | 1,500 | CDV30FH682JO3F | 0.83 (21.1) | 0.92 (23.4) | 0.42(10.7) | 0.438 (11.1) | 0.040 (1.0) |
| 7500 | 100 | CD19FA752JO3F | 0.70 (17.8) | 0.57 (14.5) | 0.34(8.6) | 0.344 (8.7) | 0.032 (.8) |
| 7500 | 500 | CD30FD752JO3F | 0.79 (20.1) | 0.88 (22.4) | 0.31(7.9) | 0.438 (11.1) | 0.040 (1.0) |
| 7500 | 1,000 | CDV30FF752JO3F | 0.81 (20.6) | 0.89 (22.6) | 0.37(9.4) | 0.438 (11.1) | 0.040 (1.0) |
| 7500 | 1500 | CDV30FH752JO3F | 0.83 (21.1) | 0.92 (23.4) | 0.42(10.7) | 0.438 (11.1) | 0.040 (1.0) |
| 8200 | 100 | CD19FA822JO3F | 0.70 (17.8) | 0.58 (14.7) | 0.35(8.9) | 0.344 (8.7) | 0.032 (.8) |
| 8200 | 500 | CD30FD822JO3F | 0.79 (20.1) | 0.88 (22.4) | 0.32(8.1) | 0.438 (11.1) | 0.040 (1.0) |
| 8200 | 1000 | CDV30FF822JO3F | 0.81 (20.6) | 0.90 (22.9) | 0.39(9.9) | 0.438 (11.1) | 0.040 (1.0) |
| 8200 | 1500 | CDV30FH822JO3F | 0.84 (21.3) | 0.93 (23.6) | 0.46(11.7) | 0.438 (11.1) | 0.040 (1.0) |
| 9100 | 100 | CD19FA912JO3F | 0.71 (18.0) | 0.59 (15.0) | 0.36(9.1) | 0.344 (8.7) | 0.032 (.8) |
| 9100 | 500 | CD30FD912JO3F | 0.79 (20.1) | 0.88 (22.4) | 0.33(8.4) | 0.438 (11.1) | 0.040 (1.0) |
| 9100 | 1000 | CDV30FF912JO3F | 0.82 (20.8) | 0.90 (22.9) | 0.41(10.4) | 0.438 (11.1) | 0.040 (1.0) |
| 10000 | 100 | CD19FA103JO3F | 0.72 (18.3) | 0.60 (15.2) | 0.37(9.4) | 0.344 (8.7) | 0.032 (.8) |
| 10000 | 500 | CD30FD103JO3F | 0.80 (20.3) | 0.89 (22.6) | 0.34(8.6) | 0.438 (11.1) | 0.040 (1.0) |
| 10000 | 1000 | CDV30FF103JO3F | 0.82 (20.8) | 0.91 (23.1) | 0.42(10.7) | 0.438 (11.1) | 0.040 (1.0) |
| 11000 | 500 | CD30FD113JO3F | 0.80 (20.3) | 0.89 (22.6) | 0.35(8.9) | 0.438 (11.1) | 0.040 (1.0) |
| 11000 | 1000 | CDV30FF113JO3F | 0.83 (21.1) | 0.91 (23.1) | 0.44(11.2) | 0.438 (11.1) | 0.040 (1.0) |
| 12000 | 500 | CD30FD123JO3F | 0.80 (20.3) | 0.89 (22.6) | 0.36(9.1) | 0.438 (11.1) | 0.040 (1.0) |
| 12000 | 1000 | CDV30FF123JO3F | 0.83 (21.1) | 0.92 (23.4) | 0.46(11.7) | 0.438 (11.1) | 0.040 (1.0) |
| 13000 | 500 | CD30FD133JO3F | 0.81 (20.6) | 0.89 (22.6) | 0.37(9.4) | 0.438 (11.1) | 0.040 (1.0) |
| 13000 | 1000 | CDV30FF133JO3F | 0.84 (21.3) | 0.93 (23.6) | 0.48(12.2) | 0.438 (11.1) | 0.040 (1.0) |
| 15000 | 500 | CD30FD153JO3F | 0.81 (20.6) | 0.90 (22.9) | 0.39(9.9) | 0.438 (11.1) | 0.040 (1.0) |
| 16000 | 500 | CD30FD163JO3F | 0.82 (20.8) | 0.90 (22.9) | 0.41(10.4) | 0.438 (11.1) | 0.040 (1.0) |
| 18000 | 500 | CD30FD183JO3F | 0.82 (20.8) | 0.91 (23.1) | 0.43(10.9) | 0.438 (11.1) | 0.040 (1.0) |
| 20000 | 500 | CD30FD203JO3F | 0.83 (21.1) | 0.92 (23.4) | 0.45(11.4) | 0.438 (11.1) | 0.040 (1.0) |
| 20000 | 500 | CD42FD203JO3F | 1.42 (36.1) | 0.87 (22.1) | 0.30(7.6) | 1.063 (27.0) | 0.040 (1.0) |
| 22000 | 500 | CD30FD223JO3F | 0.83 (21.1) | 0.93 (23.6) | 0.46(11.7) | 0.438 (11.1) | 0.040 (1.0) |
| 22000 | 500 | CD42FD223JO3F | 1.42 (36.1) | 0.88 (22.4) | 0.31(7.9) | 1.063 (27.0) | 0.040 (1.0) |
| 24000 | 300 | CD30FC243JO3F | 0.82 (20.8) | 0.90 (22.9) | 0.41(10.4) | 0.438 (11.1) | 0.040 (1.0) |
| 24000 | 500 | CD42FD243JO3F | 1.43 (36.3) | 0.88 (22.4) | 0.32(8.1) | 1.063 (27.0) | 0.040 (1.0) |
| 25000 | 300 | CD30FC253JO3F | 0.82 (20.8) | 0.91 (23.1) | 0.43(10.9) | 0.438 (11.1) | 0.040 (1.0) |
| 25000 | 500 | CD42FD253JO3F | 1.43 (36.3) | 0.88 (22.4) | 0.33(8.4) | 1.063 (27.0) | 0.040 (1.0) |
| 27000 | 300 | CD30FC273JO3F | 0.82 (20.8) | 0.91 (23.1) | 0.43(10.9) | 0.438 (11.1) | 0.040 (1.0) |
| 27000 | 500 | CD42FD273JO3F | 1.43 (36.3) | 0.88 (22.4) | 0.33(8.4) | 1.063 (27.0) | 0.040 (1.0) |

Mica Capacitors, Standard Dipped

Types CD10, D10, CD15, CD19, CD30, CD42, CDV19, CDV30

| Cap (pF) | Volts (Vdc) | Catalog Part Number | L (in) (mm) | H (in) (mm) | T (in) (mm) | S (in) (mm) | d (in) (mm) |
|-------------|----------------|------------------------|----------------|----------------|----------------|----------------|----------------|
| 30000 | 300 | CD30FC303JO3F | 0.83 (21.1) | 0.92 (23.4) | 0.46(11.7) | 0.438 (11.1) | 0.040 (1.0) |
| 30000 | 500 | CD42FD303JO3F | 1.44 (36.6) | 0.89 (22.6) | 0.35(8.9) | 1.063 (27.0) | 0.040 (1.0) |
| 33000 | 100 | CD30FA333JO3F | 0.83 (21.1) | 0.91 (23.1) | 0.44(11.2) | 0.438 (11.1) | 0.040 (1.0) |
| 33000 | 500 | CD42FD333JO3F | 1.44 (36.6) | 0.89 (22.6) | 0.36(9.1) | 1.063 (27.0) | 0.040 (1.0) |
| 36000 | 100 | CD30FA363JO3F | 0.83 (21.1) | 0.92 (23.4) | 0.45(11.4) | 0.438 (11.1) | 0.040 (1.0) |
| 36000 | 500 | CD42FD363JO3F | 1.45 (36.8) | 0.90 (22.9) | 0.38(9.7) | 1.063 (27.0) | 0.040 (1.0) |
| 39000 | 500 | CD42FD393JO3F | 1.45 (36.8) | 0.90 (22.9) | 0.40(10.2) | 1.063 (27.0) | 0.040 (1.0) |
| 40000 | 100 | CD30FA403JO3F | 0.84 (21.3) | 0.92 (23.4) | 0.47(11.9) | 0.438 (11.1) | 0.040 (1.0) |
| 43000 | 500 | CD42FD433JO3F | 1.46 (37.1) | 0.91 (23.1) | 0.42(10.7) | 1.063 (27.0) | 0.040 (1.0) |
| 47000 | 500 | CD42FD473JO3F | 1.47 (37.3) | 0.91 (23.1) | 0.45(11.4) | 1.063 (27.0) | 0.040 (1.0) |
| 50000 | 500 | CD42FD503JO3F | 1.48 (37.6) | 0.92 (23.4) | 0.47(11.9) | 1.063 (27.0) | 0.040 (1.0) |
| 51000 | 500 | CD42FD513JO3F | 1.48 (37.6) | 0.92 (23.4) | 0.47(11.9) | 1.063 (27.0) | 0.040 (1.0) |
| 56000 | 300 | CD42FC563JO3F | 1.46 (37.1) | 0.91 (23.1) | 0.42(10.7) | 1.063 (27.0) | 0.040 (1.0) |
| 62000 | 300 | CD42FC623JO3F | 1.47 (37.3) | 0.92 (23.4) | 0.45(11.4) | 1.063 (27.0) | 0.040 (1.0) |
| 68000 | 300 | CD42FC683JO3F | 1.48 (37.6) | 0.92 (23.4) | 0.47(11.9) | 1.063 (27.0) | 0.040 (1.0) |
| 75000 | 100 | CD42FA753JO3F | 1.47 (37.3) | 0.91 (23.1) | 0.44(11.2) | 1.063 (27.0) | 0.040 (1.0) |
| 82000 | 100 | CD42FA823JO3F | 1.48 (37.6) | 0.92 (23.4) | 0.46(11.7) | 1.063 (27.0) | 0.040 (1.0) |
| 91000 | 100 | CD42FA913JO3F | 1.50 (38.1) | 0.94 (23.9) | 0.50(12.7) | 1.063 (27.0) | 0.040 (1.0) |

Notice and Disclaimer: All product drawings, descriptions, specifications, statements, information and data (collectively, the "Information") in this datasheet or other publication are subject to change. The customer is responsible for checking, confirming and verifying the extent to which the Information contained in this datasheet or other publication is applicable to an order at the time the order is placed. All Information given herein is believed to be accurate and reliable, but it is presented without any guarantee, warranty, representation or responsibility of any kind, expressed or implied. Statements of suitability for certain applications are based on the knowledge that the Cornell Dubilier company providing such statements ("Cornell Dubilier") has of operating conditions that such Cornell Dubilier company regards as typical for such applications, but are not intended to constitute any guarantee, warranty or representation regarding any such matter – and Cornell Dubilier specifically and expressly disclaims any guarantee, warranty or representation concerning the suitability for a specific customer application, use, storage, transportation, or operating environment. The Information is intended for use only by customers who have the requisite experience and capability to determine the correct products for their application. Any technical advice inferred from this Information or otherwise provided by Cornell Dubilier with reference to the use of any Cornell Dubilier products is given gratis (unless otherwise specified by Cornell Dubilier), and Cornell Dubilier assumes no obligation or liability for the advice given or results obtained. Although Cornell Dubilier strives to apply the most stringent quality and safety standards regarding the design and manufacturing of its products, in light of the current state of the art, isolated component failures may still occur. Accordingly, customer applications which require a high degree of reliability or safety should employ suitable designs or other safeguards (such as installation of protective circuitry or redundancies or other appropriate protective measures) in order to ensure that the failure of an electrical component does not result in a risk of personal injury or property damage. Although all product-related warnings, cautions and notes must be observed, the customer should not assume that all safety measures are indicated in such warnings, cautions and notes, or that other safety measures may not be required.

OUR CERTIFICATE

DiGi provide top-quality products and perfect service for customer worldwide through standardization, technological innovation and continuous improvement. DiGi through third-party certification, we stricly control the quality of products and services. Welcome your RFQ to

Email: Info@DiGi-Electronics.com



Tel: +00 852-30501935

RFQ Email: Info@DiGi-Electronics.com

DiGi is a global authorized distributor of electronic components.