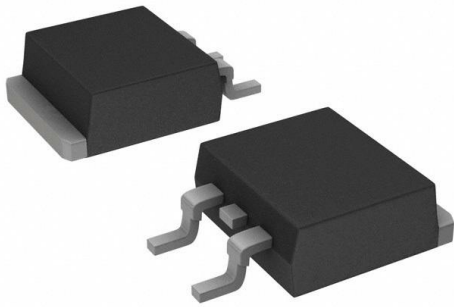


AOB7S65L Datasheet

www.digi-electronics.com



<https://www.DiGi-Electronics.com>

DiGi Electronics Part Number	AOB7S65L-DG
Manufacturer	Alpha & Omega Semiconductor Inc.
Manufacturer Product Number	AOB7S65L
Description	MOSFET N-CH 650V 7A TO263
Detailed Description	N-Channel 650 V 7A (Tc) 104W (Tc) Surface Mount T O-263 (D2PAK)



Tel: +00 852-30501935

RFQ Email: Info@DiGi-Electronics.com

DiGi is a global authorized distributor of electronic components.

Purchase and inquiry

Manufacturer Product Number:

AOB7S65L

Series:

aMOST™

FET Type:

N-Channel

Drain to Source Voltage (Vdss):

650 V

Drive Voltage (Max Rds On, Min Rds On):

10V

Vgs(th) (Max) @ Id:

4V @ 250µA

Vgs (Max):

±30V

FET Feature:

-

Operating Temperature:

-55°C ~ 150°C (Tj)

Supplier Device Package:

TO-263 (D2PAK)

Base Product Number:

AOB7S65

Manufacturer:

Alpha & Omega Semiconductor Inc.

Product Status:

Not For New Designs

Technology:

MOSFET (Metal Oxide)

Current - Continuous Drain (Id) @ 25°C:

7A (Tc)

Rds On (Max) @ Id, Vgs:

650mOhm @ 3.5A, 10V

Gate Charge (Qg) (Max) @ Vgs:

9.2 nC @ 10 V

Input Capacitance (Ciss) (Max) @ Vds:

434 pF @ 100 V

Power Dissipation (Max):

104W (Tc)

Mounting Type:

Surface Mount

Package / Case:

TO-263-3, D2PAK (2 Leads + Tab), TO-263AB

Environmental & Export classification

RoHS Status:

ROHS3 Compliant

REACH Status:

REACH Unaffected

HTSUS:

8541.29.0095

Moisture Sensitivity Level (MSL):

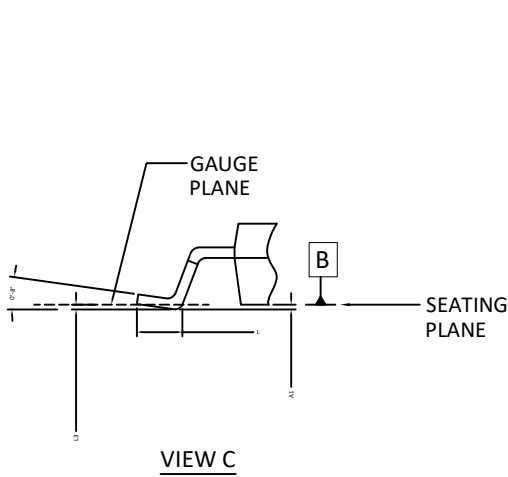
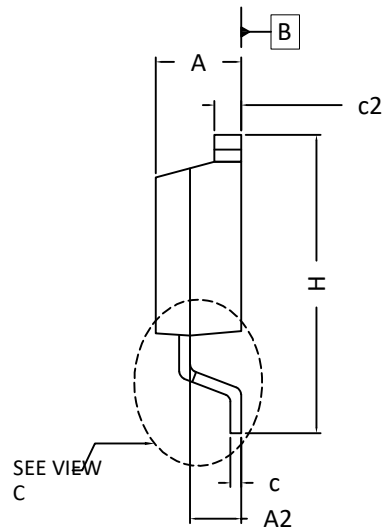
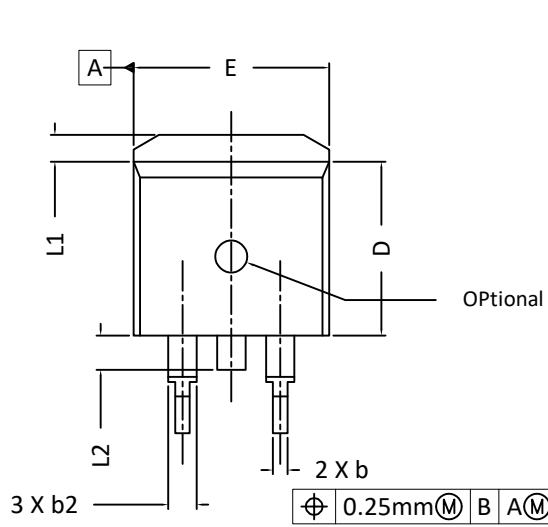
1 (Unlimited)

ECCN:

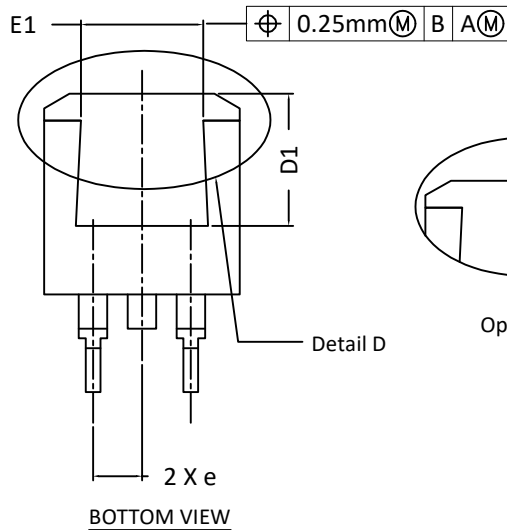
EAR99



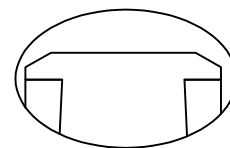
TO263(D2PAK) PACKAGE OUTLINE



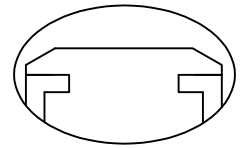
RECOMMENDED LAND PATTERN



BOTTOM VIEW

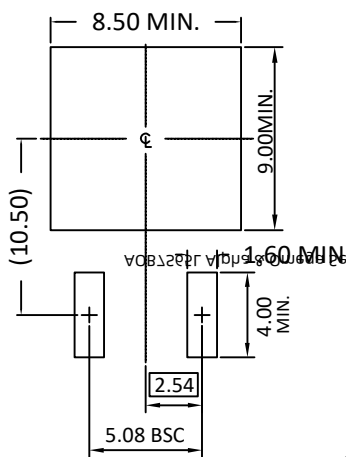


Option 1



Option 2

DETAIL D



UNIT: mm

SYMBOLS	DIMENSIONS IN MILLIMETERS			DIMENSIONS IN INCHES		
	MIN	NOM	MAX	MIN	NOM	MAX
A	4.064	4.45	4.826	0.160	0.175	0.190
A1	0.00	---	0.254	0.000	---	0.010
A2	2.20	2.67	2.90	0.087	0.105	0.114
b	0.508	0.81	0.991	0.020	0.032	0.039
b2	1.143	1.27	1.778	0.045	0.050	0.070
c	0.381	0.50	0.737	0.015	0.020	0.029
c2	1.143	1.27	1.651	0.045	0.050	0.065
D	8.382	9.14	9.652	0.330	0.360	0.380
D1	6.858	8.00	8.37	0.270	0.315	0.330
e	2.54 BSC			0.100 BSC.		
E	9.652	10.03	10.668	0.380	0.395	0.420
E1	6.223	8.00	8.37	0.245	0.315	0.330
H	14.605	15.24	15.875	0.575	0.600	0.625
L	1.778	2.54	2.794	0.070	0.100	0.110
L1	1.02	1.27	1.676	0.040	0.050	0.066
L2	1.27	1.52	1.778	0.050	0.060	0.070
L3	0.25 BSC			0.010 BSC.		

NOTE:

1. PACKAGE BODY SIDES EXCLUDE MOLD FLASH AND GATE BURRS. MOLD FLASH SHOULD BE LESS THAN 6 MILS.
2. TOLERANCE 0.10 MILLIMETERS UNLESS OTHERWISE SPECIFIED.
3. DIMENSION L IS MEASURED IN GAUGE LINE.
4. CONTROLLING DIMENSION IS MILLIMETER. CONVERTED INCH DIMENSIONS ARE NOT NECESSARILY EXACT.
5. REFER TO JEDEC TO-263 AB.

OUR CERTIFICATE

DiGi provide top-quality products and perfect service for customer worldwide through standardization, technological innovation and continuous improvement. DiGi through third-party certification, we stricly control the quality of products and services. Welcome your RFQ to

Email: Info@DiGi-Electronics.com



Tel: +00 852-30501935

RFQ Email: Info@DiGi-Electronics.com

DiGi is a global authorized distributor of electronic components.