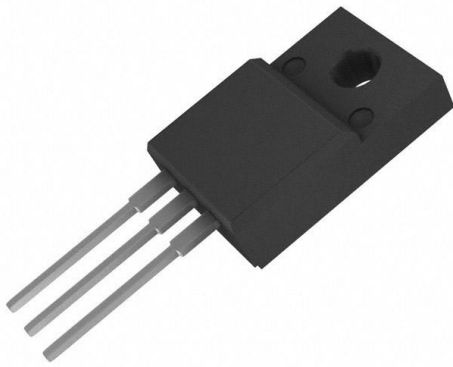


AOTF5N50FD Datasheet

www.digi-electronics.com



<https://www.DiGi-Electronics.com>

DiGi Electronics Part Number	AOTF5N50FD-DG
Manufacturer	Alpha & Omega Semiconductor Inc.
Manufacturer Product Number	AOTF5N50FD
Description	MOSFET N-CH 500V 5A TO220-3F
Detailed Description	N-Channel 500 V 5A (Tc) 35W (Tc) Through Hole TO-220F



Tel: +00 852-30501935

RFQ Email: Info@DiGi-Electronics.com

DiGi is a global authorized distributor of electronic components.

Purchase and inquiry

Manufacturer Product Number:

AOTF5N50FD

Series:

-

FET Type:

N-Channel

Drain to Source Voltage (Vdss):

500 V

Drive Voltage (Max Rds On, Min Rds On):

10V

Vgs(th) (Max) @ Id:

4.2V @ 250µA

Vgs (Max):

±30V

FET Feature:

-

Operating Temperature:

-55°C ~ 150°C (Tj)

Supplier Device Package:

TO-220F

Base Product Number:

AOTF5

Manufacturer:

Alpha & Omega Semiconductor Inc.

Product Status:

Obsolete

Technology:

MOSFET (Metal Oxide)

Current - Continuous Drain (Id) @ 25°C:

5A (Tc)

Rds On (Max) @ Id, Vgs:

1.80hm @ 2.5A, 10V

Gate Charge (Qg) (Max) @ Vgs:

15 nC @ 10 V

Input Capacitance (Ciss) (Max) @ Vds:

530 pF @ 25 V

Power Dissipation (Max):

35W (Tc)

Mounting Type:

Through Hole

Package / Case:

TO-220-3 Full Pack

Environmental & Export classification

RoHS Status:

ROHS3 Compliant

REACH Status:

REACH Unaffected

HTSUS:

8541.29.0095

Moisture Sensitivity Level (MSL):

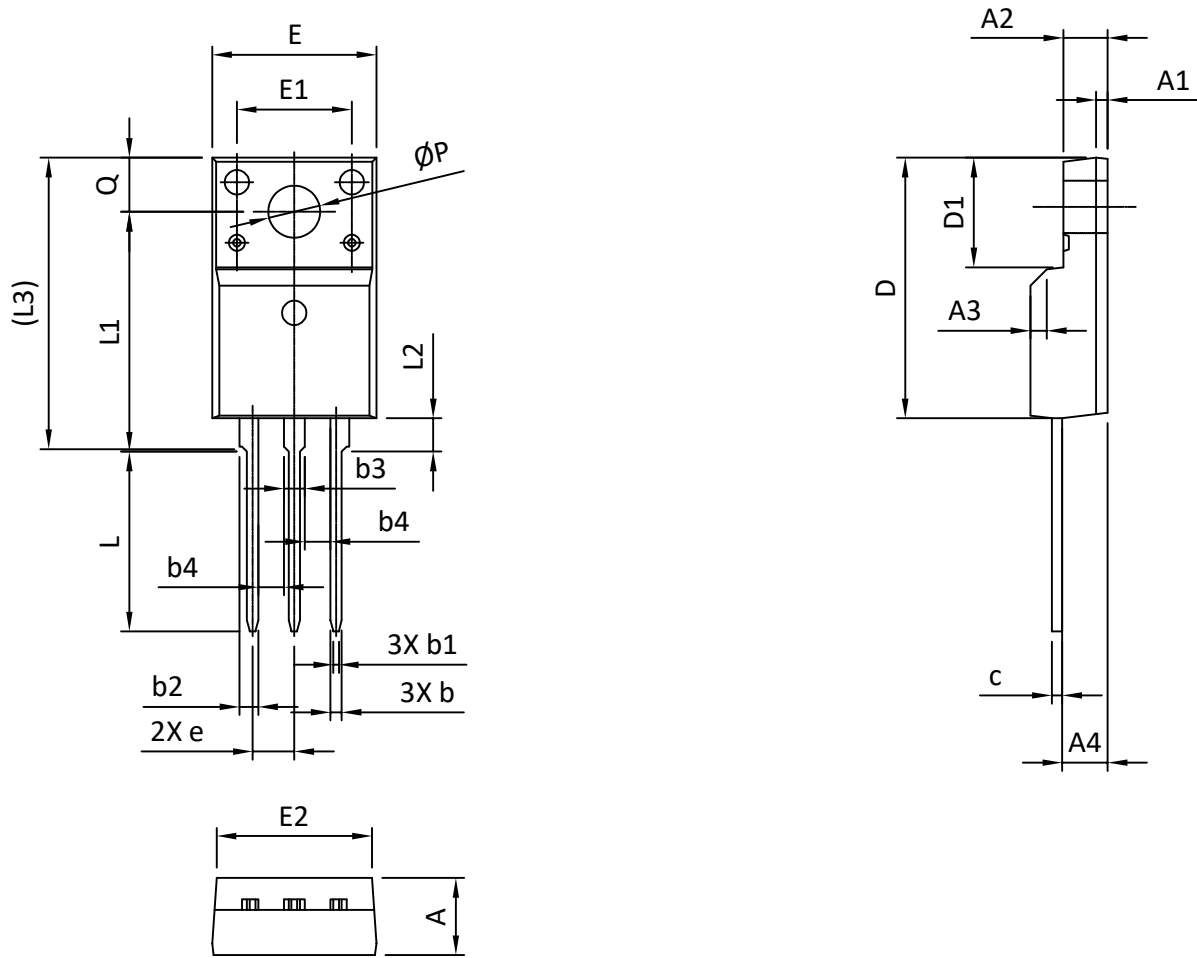
1 (Unlimited)

ECCN:

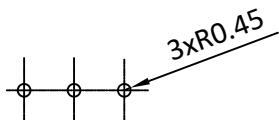
EAR99



TO220F PACKAGE OUTLINE



RECOMMENDATION OF HOLE PATTERN



ALPHA & OMEGA SEMICONDUCTOR, INC. 2000 N. CHERRY STREET, CHICAGO, IL 60647

UNIT: mm

SYMBOLS	DIMENSIONS IN MILLIMETERS			DIMENSIONS IN INCHES		
	MIN	NOM	MAX	MIN	NOM	MAX
A	4.50	4.70	4.90	0.177	0.185	0.193
A1	---	0.70	---	---	0.028	---
A2	2.34	2.54	2.74	0.092	0.100	0.108
A3	1X45°			0.039X45°		
A4	2.66	2.76	2.86	0.105	0.106	0.113
b	0.59	0.69	0.79	0.023	0.027	0.031
b1	0.25	0.35	0.45	0.010	0.014	0.018
b2	1.14	1.24	1.29	0.045	0.049	0.051
b3	1.28	1.38	1.43	0.050	0.054	0.056
b4	1.40 MIN.			0.055 MIN.		
c	0.59	0.64	0.74	0.023	0.025	0.029
D	15.67	15.87	16.07	0.617	0.625	0.633
D1	6.48	6.68	6.88	0.255	0.263	0.271
e	2.54 BSC			0.100 BSC.		
E	9.96	10.16	10.36	0.392	0.400	0.408
E1	---	7.00	---	---	0.276	---
E2	9.26	9.46	9.66	0.365	0.372	0.380
L	10.76	10.96	11.16	0.424	0.431	0.439
L1	14.39	14.59	14.79	0.567	0.574	0.582
L2	1.70	2.03	2.20	0.067	0.080	0.087
(L3)	---	17.75	17.90	---	0.699	0.705
Q	3.20	3.30	3.40	0.126	0.130	0.134
ØP	3.08	3.18	3.28	0.121	0.125	0.129

NOTE

1. PACKAGE BODY SIZES EXCLUDE MOLD FLASH AND GATE BURRS. MOLD FLASH SHOULD BE LESS THAN 6 MIL.
2. TOLERANCE 0.100 MILLIMETERS UNLESS OTHERWISE SPECIFIED.
3. CONTROLLING DIMENSION IS MILLIMETER. CONVERTED INCH DIMENSIONS ARE NOT NECESSARILY EXACT.
4. DIMENSION WITH "()" IS FOR REFERENCE.

OUR CERTIFICATE

DiGi provide top-quality products and perfect service for customer worldwide through standardization, technological innovation and continuous improvement. DiGi through third-party certification, we stricly control the quality of products and services. Welcome your RFQ to

Email: Info@DiGi-Electronics.com



Tel: +00 852-30501935

RFQ Email: Info@DiGi-Electronics.com

DiGi is a global authorized distributor of electronic components.