

AOZ7523RAI-12 Datasheet



DiGi Electronics Part Number	AOZ7523RAI-12-DG
Manufacturer	Alpha & Omega Semiconductor Inc.
Manufacturer Product Number	AOZ7523RAI-12
Description	IC REG FLYBACK 13SOIC
Detailed Description	Flyback Switching Regulator IC Positive Fixed 1 Output 16-SOIC (0.154", 3.90mm Width), 13 Leads

<https://www.DiGi-Electronics.com>

This model AOZ7523RAI-12 is available at DiGi Electronics.

DiGi Electronics offers a global database of semiconductor and electronic component datasheets.

We welcome your inquiries regarding pricing, lead time, or other product-related questions.

 [Request a Quote](#)

 [Datasheet Search](#)



Tel: +00 852-30501935

RFQ Email: Info@DiGi-Electronics.com

DiGi is a global authorized distributor of electronic components.

Purchase and inquiry

Manufacturer Product Number:

AOZ7523RAI-12

Series:

-

Function:

Step-Up/Step-Down

Topology:

Flyback

Number of Outputs:

1

Voltage - Input (Max):

25V

Voltage - Output (Max):

-

Frequency - Switching:

65kHz

Operating Temperature:

-40°C ~ 125°C (TA)

Package / Case:

16-SOIC (0.154", 3.90mm Width), 13 Leads

Base Product Number:

AOZ7523

Manufacturer:

Alpha & Omega Semiconductor Inc.

Product Status:

Obsolete

Output Configuration:

Positive

Output Type:

Fixed

Voltage - Input (Min):

7.5V

Voltage - Output (Min/Fixed):

-

Current - Output:

-

Synchronous Rectifier:

No

Mounting Type:

Surface Mount

Supplier Device Package:

13-SOIC

Environmental & Export classification

RoHS Status:

ROHS3 Compliant

REACH Status:

REACH Unaffected

HTSUS:

8542.39.0001

Moisture Sensitivity Level (MSL):

1 (Unlimited)

ECCN:

EAR99

General Description

AOZ7523 is a series of current-mode controllers integrated with high voltage power MOSFET, and a X-capacitor discharge function (Bleeding Resistor Removal, BRR), Brown-In/Brown-Out (Lossless Brown-Out, LBO) plus a high voltage start-up circuitry. The series also provides frequency foldback and skip mode during light load conditions to achieve excellent light load efficiency and low power standby mode. As well as a digital Spread Spectrum Clock Generator (SSCG) to improve EMI emissions. In addition, AOZ7523 includes cycle-by-cycle current limit, Under Voltage Lockout (UVLO), VDD OVP, DMAG pin OVP, Over Load Protection (OLP), CS pin protection, and Secondary-Side Diode Short protection (SSDS).

Features

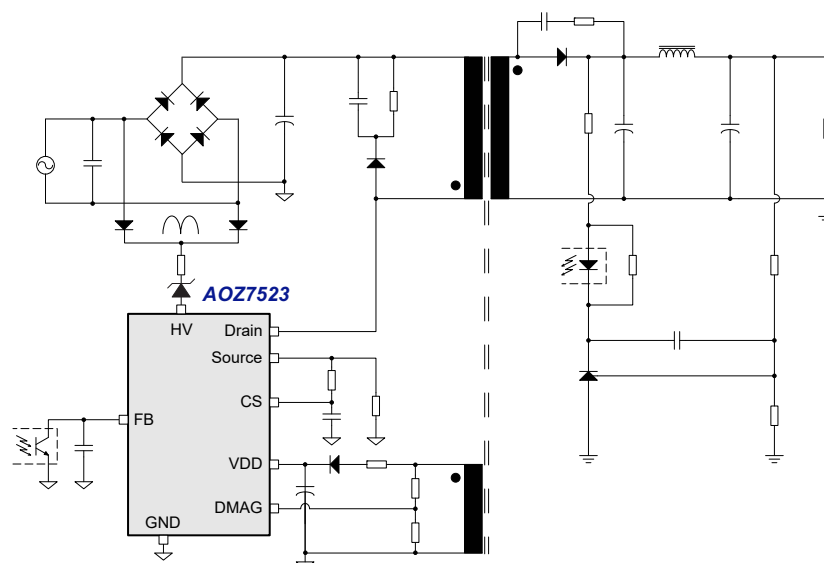
- Integrated with HV MOSFET
- Integrated bleeding resistor removal function (CB certificate reference no. DK-64852-UL)
- Integrated brown-in/brown-out function
- Integrated HV start-up circuitry
- Cycle-by-cycle current limit
- Minimum on time modulation to minimize acoustic noise
- Frequency foldback mode and skip mode operation
- Frequency spread by spread spectrum clock generator
- VDD over-voltage protection
- DMAG pin over-voltage protection
- Secondary-side diode short protection
- CS pin protection
- Internal over-temperature protection

Applications

- SMPS
- NB adapter
- Charger



Typical Application



Ordering Information

Part Number	Ambient Temperature Range	Package	Environmental
AOZ7523XAI-XX	-40°C to +125°C	SO-13	Green Product



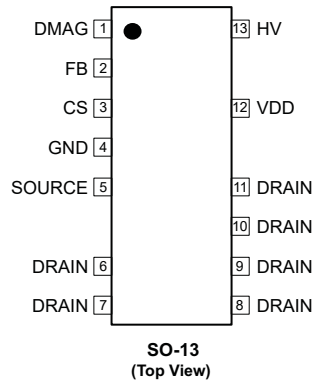
AOS Green Products use reduced levels of Halogens, and are also RoHS compliant. Please visit www.aosmd.com/media/AOSGreenPolicy.pdf for additional information.



Part Number	AOZ7523GAI	AOZ7523LAI	AOZ7523AAI	AOZ7523RAI	AOZ7523HAI
Switching Frequency	65kHz	65kHz	65kHz	65kHz	130kHz
OLP / SSDS	Auto Recovery	Auto Recovery	Latch	Auto Recovery	Auto Recovery
VDD OVP	Auto Recovery	Latch	Latch	Auto Recovery	Auto Recovery
DMAG OVP	Latch	Latch	Latch	Auto Recovery	Latch
DMAG Low	Auto Recovery	Latch	Latch	Latch	Auto Recovery
Internal OTP	Auto Recovery	Auto Recovery	Auto Recovery	Auto Recovery	Auto Recovery

Table 1. Protection Version

Pin Configuration



Pin Description

Pin Number	Pin Name	Pin Function
1	DMAG	Demagnetize pin for voltage sense.
2	FB	Feedback pin for voltage loop.
3	CS	Current sense pin for current loop.
4	GND	Ground.
5	SOURCE	Source pin of MOSFET.
6~11	DRAIN	Drain pin of MOSFET.
12	VDD	Power supply pin for controller.
13	HV	High voltage start-up current supply and input AC voltage detection.

Absolute Maximum Ratings

Exceeding the Absolute Maximum Ratings may damage the device.

Parameter	Rating
V _{HV}	0V to 500V
V _{DRAIN}	0V to 650V 0V to 700V
	AOZ7523XAI-12 AOZ7523XAI-03
V _{VDD}	0.3V to 30V
V _{DMAG} , V _{FB} , V _{CS}	-0.3V to 6V
GND	-0.3V to +0.3V
Package Power Dissipation	1.4W
Junction Temperature (T _J)	+150°C
Storage Temperature (T _S)	-65°C to +150°C
ESD HBM ⁽¹⁾ (Except HV Pin)	4kV
ESD CDM ⁽¹⁾ (Except HV Pin)	1kV

Note:

1. Devices are inherently ESD sensitive, handling precautions are required. Human body model rating: 1.5kΩ in series with 100pF.

Electrical Characteristics

T_A = -25°C to 85°C, V_{DD} = 15V, unless otherwise specified

Symbol	Parameter	Conditions	Min	Typ	Max	Units
HV MOSFET						
BV _{DSS}	Drain-Source Breakdown Voltage	I _D = 250μA, V _{GS} = 0V, T _J = 25°C	AOZ7523XAI-12	650		V
			AOZ7523XAI-03	700		
I _{DSS}	Zero Gate Voltage Drain Current	V _{DS} = BV _{DSS} (Min), V _{GS} = 0V			1	μA
R _{DS(ON)}	Static Drain-Source On-Resistance				1.4	Ω
I _D	Continuous Drain Current	T _C = 25°C			3.5	A
I _{DM}	Pulse Drain Current				16	A
HV						
I _{HV}	Supply Current from HV Pin	V _{HV} = 100V, V _{DD} = 0V, Controller Off		1.5		mA
I _{HV-LC}	Leakage Current from HV Pin	V _{HV} = 500V, V _{DD} = 15V, Controller On		0.8		μA
V _{BNI}	Brown-In Voltage	With 47V Zener in HV Pin		80		V _{ac}
V _{BNO}	Brown-Out Voltage	With 47V Zener in HV Pin		70		V _{ac}
T _{SENSE}	V _{IN} Sensing Period			300		ms
D _{SENSE}	V _{IN} Sensing Duty			10		%
T _{BNO}	Brown-Out De-Bounce Time			300	600	ms
T _{DIS-Xcap}	X-Cap Discharge De-Bounce Time		15		450	ms
VDD						
V _{DD-OVP}	VDD Over-Voltage Protection		26	27.5	29	V
	VDD Over-Voltage Protection De-Bounce Time			20		μs
V _{DD-ON}	Turn-On Threshold Voltage		14	15	16	V

Recommended Operating Conditions

The device is not guaranteed to operate beyond the Maximum Recommended Operating Conditions.

Parameter	Rating
Supply Voltage (V _{DD})	7.5V to 25V
Ambient Temperature (T _A)	-40°C to +105°C
Package Thermal Resistance SO-13 (θ _{JA})	65°C/W

Electrical Characteristics (Continued)
 $T_A = -25^{\circ}\text{C}$ to 85°C , $V_{DD} = 15\text{V}$, unless otherwise specified

Symbol	Parameter	Conditions	Min	Typ	Max	Units
$V_{DD-UVLO}$	Turn-Off and Under-Voltage Lock-Out		6.5	7	7.5	V
V_{DDM-E}	VDD Hold-Up Mode Entry Level			7.5		V
V_{DDM-D}	VDD Hold-Up Mode Depart Level			8		V
$V_{DDM-BNH}$	VDD Hold-Up HI Level in Brown-Out			14		V
$V_{DDM-BNL}$	VDD Hold-Up LO Level in Brown-Out			12		V
V_{DD-L}	VDD in Latch Mode	Option for Latch Mode		9		V
I_{ST}	Start-Up Current			150	200	μA
I_{DD-OP}	Operation Current	$V_{DD} = 15\text{V}$, Controller On		3.5	4	mA
$I_{DD-SKIP}$	Skip Mode Operation Current	$V_{DD} = 9\text{V}$, $\text{FB} < 1\text{V}$		350	450	μA
FREQUENCY						
F_{OSC}	General Continuous Operation Frequency		61	65	69	kHz
		For AOZ7523H	122	130	138	kHz
F_{MIN}	Minimum Continuous Operation Frequency		17	20	23	kHz
F_{SSCG}	Spread Spectrum Clock Generator			± 6		%
D_{MAX}	Minimum Duty Cycle			75		%
FB						
Z_{FB}	FB Pin Impedance		20	25	30	k Ω
$V_{FB-OPEN}$	FB Pin Pull-Up Voltage	FB Pin Open		4.4		V
G_{FC}	Gain-to-CS			0.5		V/V
V_{FB-E}	Entry FR Threshold Voltage			2.1		V
V_{FB-D}	Depart FR Threshold Voltage			1.8		V
V_{SK-E}	Skip Mode Entry Level			0.7		V
V_{SK-D}	Skip Mode Depart Level			0.82		V
DMAG						
V_{CLAMP}	Minimum Clamp Voltage		0.7	1	1.3	V
T_{MIN}	Minimum On Time	Sourcing = $180\mu\text{A}^{(2)}$		3		μs
		Sourcing = $750\mu\text{A}^{(2)}$		0.8		μs
$T_{MIN-MAX}$	Maximum T_{MIN} Clamp	Sourcing = $100\mu\text{A}^{(2)}$		3.2		μs
$T_{MIN-MIN}$	Minimum T_{MIN} Clamp	Sourcing = $900\mu\text{A}^{(2)}$		0.7		μs
$I_{DMAG-MAX}$	Maximum Sourcing Current		1			mA
V_{D-OVP}	DMAG Over-Voltage Protection		2.9	3	3.1	V
T_{D-OVP}	V_{D-OVP} De-Bounce Time	5 Clock Cycles, $F_s = 130\text{kHz}$		30	40	μs
		5 Clock Cycles, $F_s = 65\text{kHz}$		60	100	μs
V_{DIS}	Disable Protection		0.25	0.3	0.35	V
T_{DIS}	Disable De-Bounce Time			30	40	μs
SOFT-START						
T_{SS}	Soft-Start Time			8		ms
$F_{SS-SKIP}$	Soft-Start Skip Frequency	$V_{CS} > 1\text{V}$ for AOZ7523H		65		kHz
		$V_{CS} > 1\text{V}$		32.5		kHz

Electrical Characteristics (Continued)

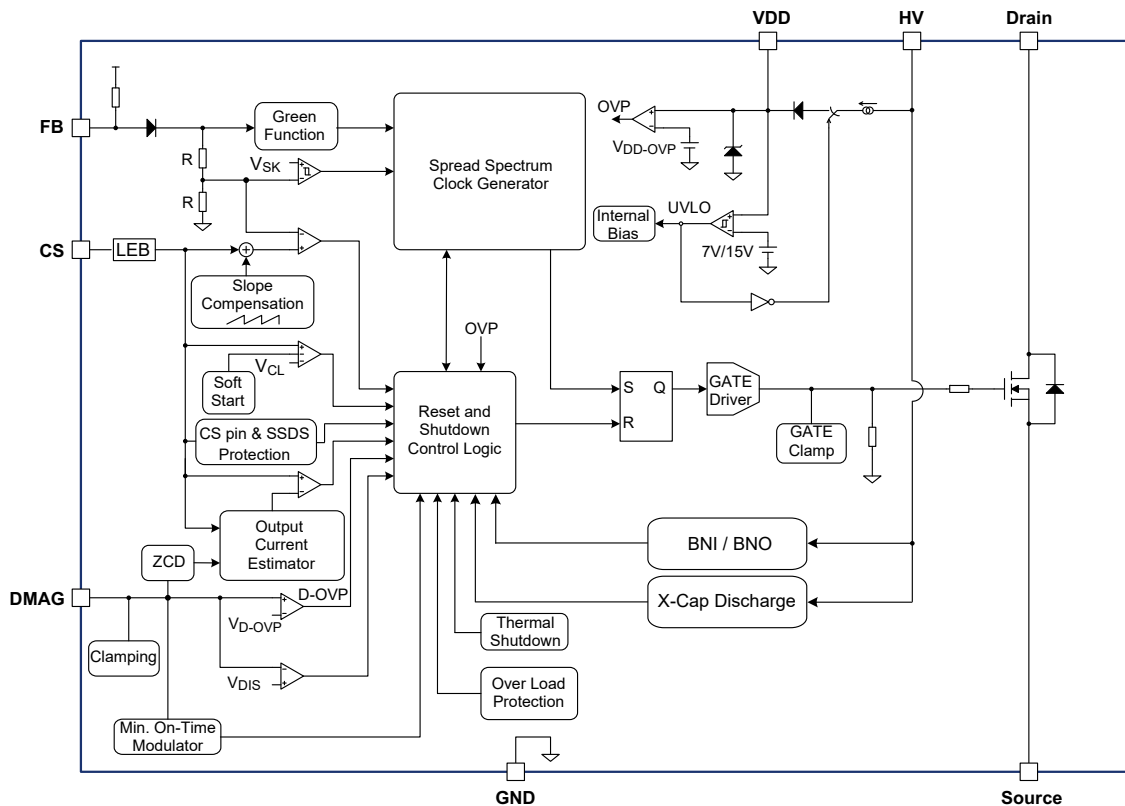
$T_A = -25^{\circ}\text{C}$ to 85°C , $V_{DD} = 15\text{V}$, unless otherwise specified

Symbol	Parameter	Conditions	Min	Typ	Max	Units
CURRENT SENSE						
V_{CL}	General Continuous Operation Limited Current Sense Level		0.85	0.9	0.95	V
T_{OLP}	Over Load Protection De-Bounce Time			60	80	ms
V_{CL2}	SSDS Level			1.5		V
T_{CL2}	De-Bounce Time for V_{CL2}	Continuous 5 Clock Cycles, $F_s = 65\text{kHz}$		75	100	μs
T_{LEB}	Leading Edge Blanking Time			250	400	ns
T_P	Propagation Delay Time			50	100	ns
OVER TEMPERATURE PROTECTION						
OTP	Internal Over Temperature Protection	T_J Rising		145		$^{\circ}\text{C}$
OTP _{REC}	Thermal Shutdown Recovery Threshold	T_J Falling		125		$^{\circ}\text{C}$

Note:

- Guaranteed by design.

Functional Block Diagram



Typical Characteristics

Figure 1. Supply Current From HV Pin vs. Temperature

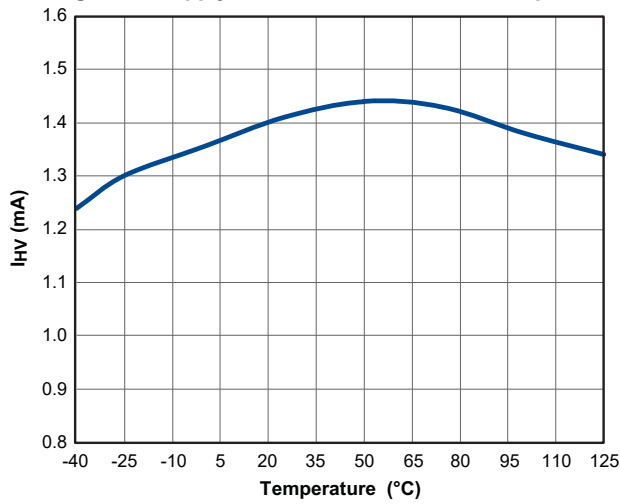


Figure 2. Turn-On Threshold Voltage vs. Temperature

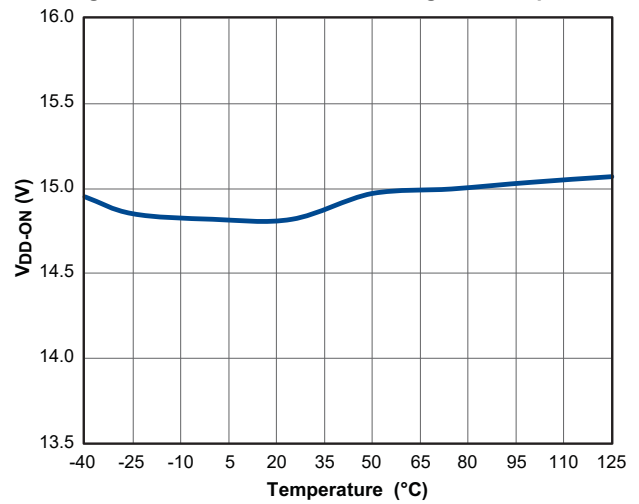


Figure 3. Operating Current vs. Temperature

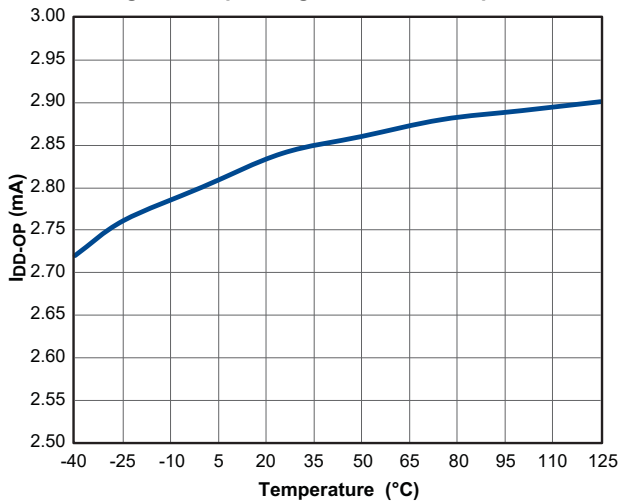


Figure 4. Under-Voltage Lockout Voltage vs. Temperature

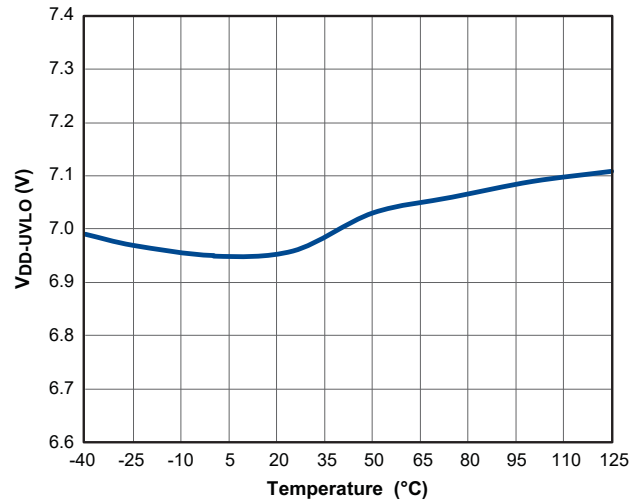


Figure 5. VDD OVP Level vs. Temperature

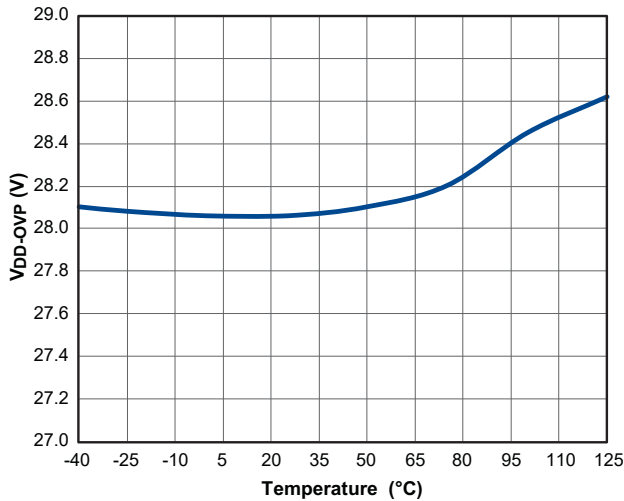
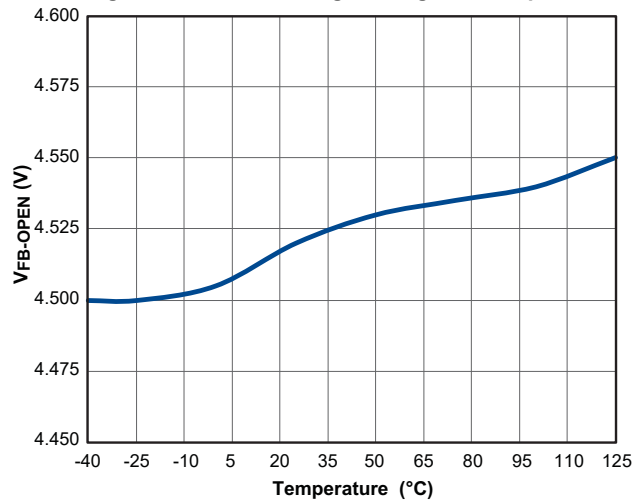


Figure 6. FB Pin Pull High Voltage vs. Temperature



Typical Characteristics (Continued)

Figure 7. FB Pin Impedance vs. Temperature

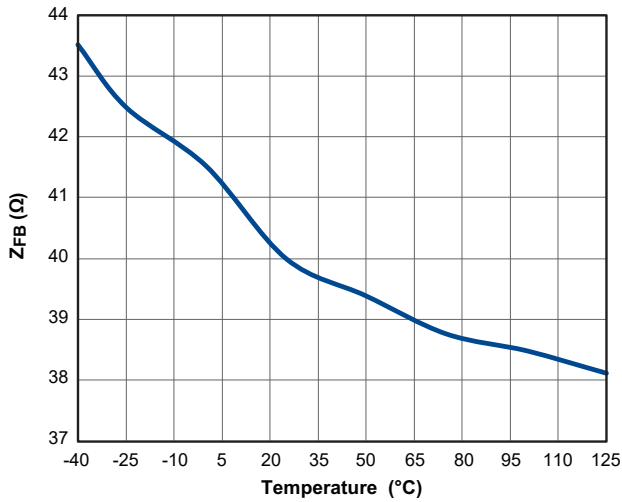


Figure 8. Entry FR Threshold Voltage vs. Temperature

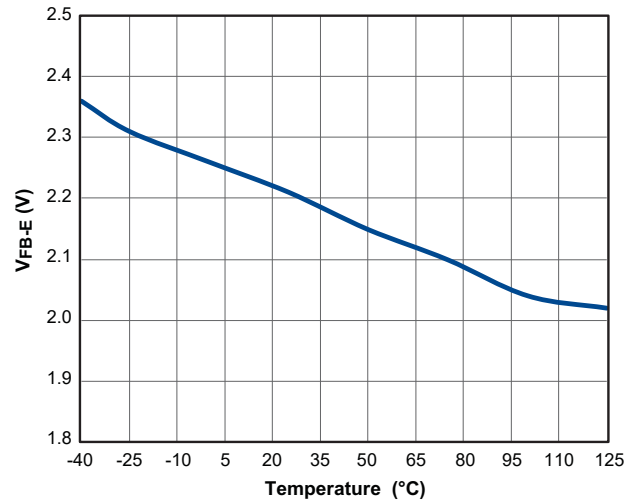


Figure 9. Depart FR Threshold Voltage vs. Temperature

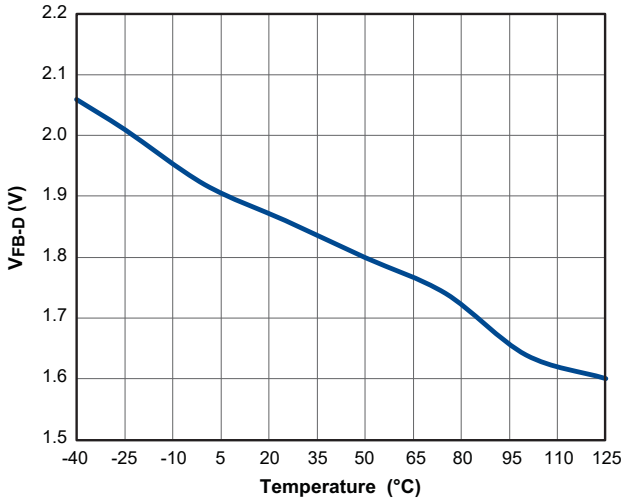


Figure 10. Skip Mode Entry Level vs. Temperature

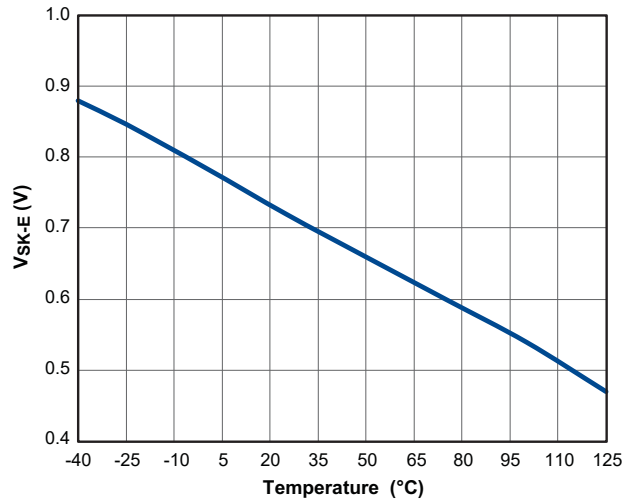


Figure 11. Skip Mode Depart Level vs. Temperature

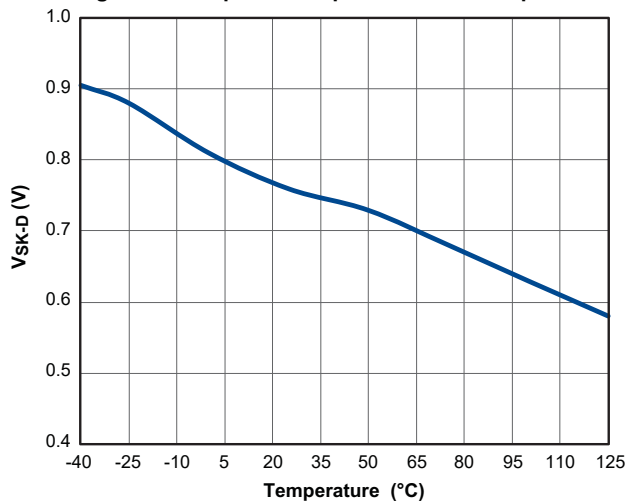
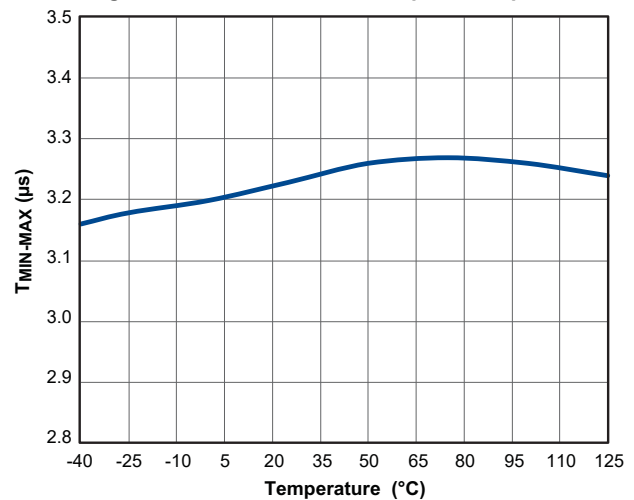


Figure 12. Maximum T_{MIN} Clamp vs. Temperature



Typical Characteristics (Continued)

Figure 13. Minimum T_{MIN} CLAMP vs. Temperature

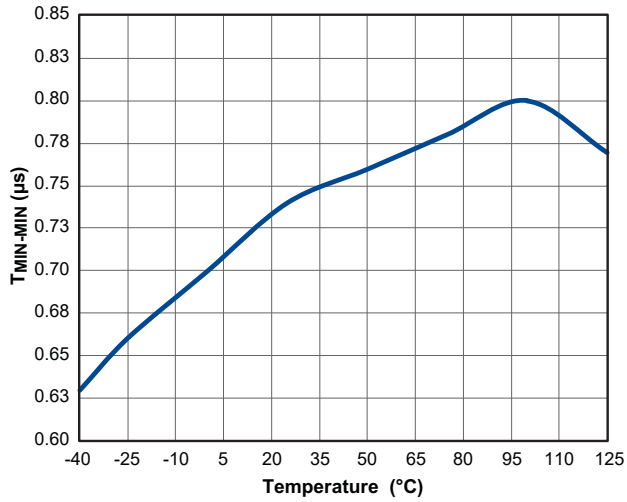


Figure 14. General Continuous Operation Frequency vs. Temperature

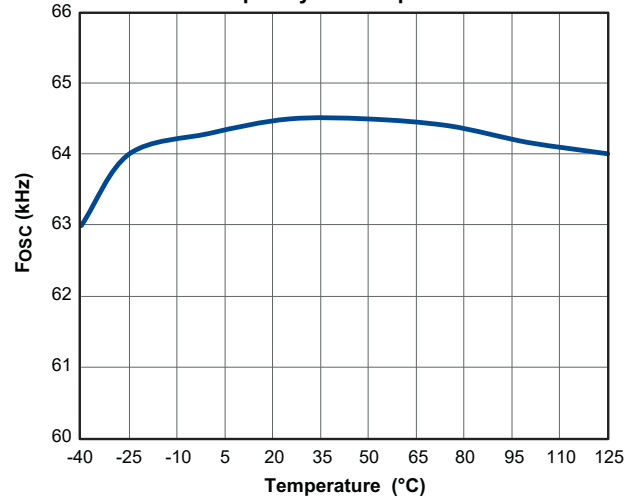


Figure 15. Minimum Continuous Operation Frequency vs. Temperature

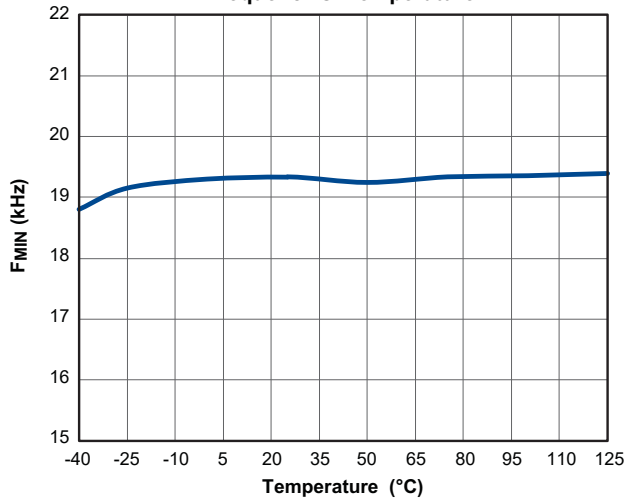


Figure 16. Maximum Duty Cycle vs. Temperature

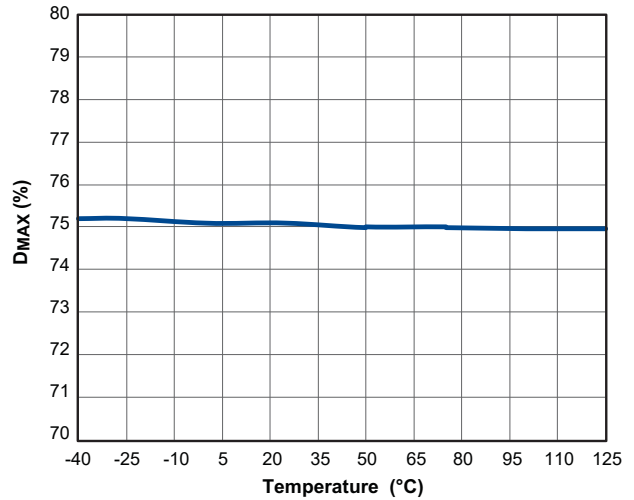


Figure 17. Current Limit vs. Temperature

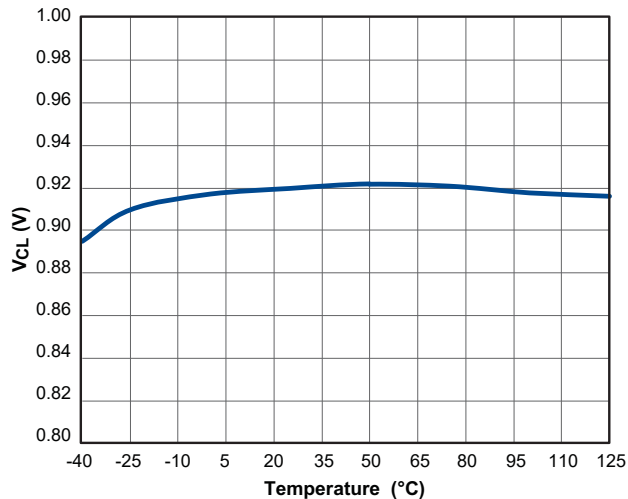
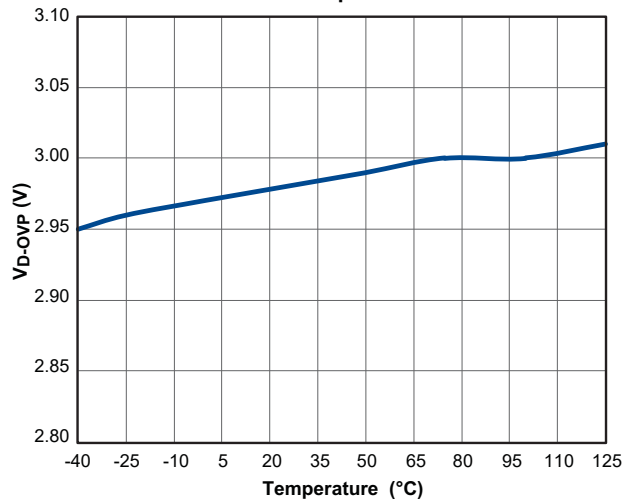


Figure 18. DMAG Pin Over Voltage Level vs. Temperature



Typical Characteristics (Continued)

Figure 19. DMAG Sourcing Current 0.5mA vs. Temperature

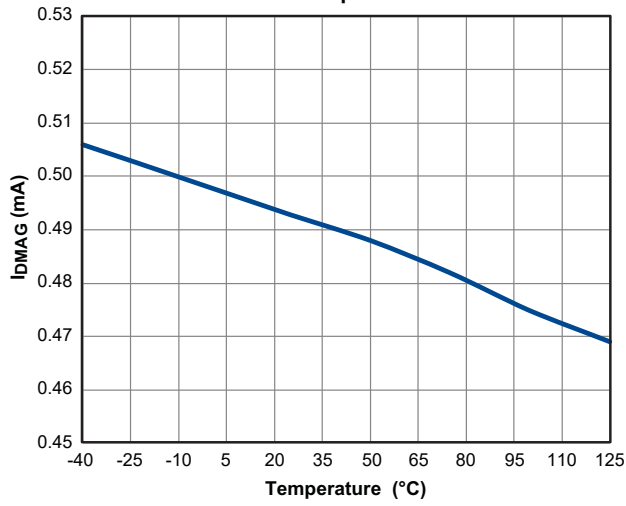
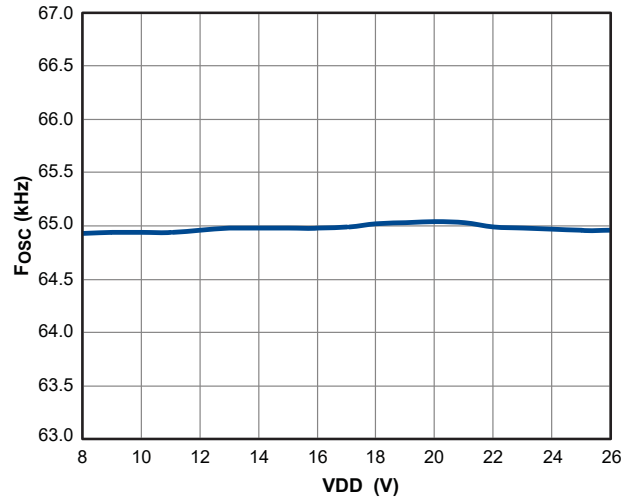


Figure 20. General Continuous Operation Frequency vs. VDD



Typical Operation Description

Start-Up

During the start-up period, the HV device acts as a current source and charges the VDD capacitor until its voltage is higher than that of the turn-on threshold V_{DD-ON} , at that point the AOZ7523 will start to operate but it will enter standby mode to wait brown-in signal. The VDD voltage of AOZ7523 will be kept between 12V~14V until brown-in is triggered. After brown-in, PWM signal will start to drive the MOSFET and the peak current of MOSFET will be increased linearly during the soft-start period.

Normal Mode Operation

In normal mode operation, if the output is in heavy load, the controller is switching with maximum frequency (130kHz or 65kHz) and operated with current-mode control.

Frequency Foldback Mode Operation

AOZ7523 provides green mode operation to reduce switching loss and improve system efficiency by frequency foldback function during light load condition. When the voltage of FB pin is decreased below V_{FB-E} . The controller will enter green mode and the switching frequency starts foldback according to load condition. The minimum switching frequency will be clamped to F_{MIN} when the voltage of FB pin is below V_{FB-D} .

Skipping Mode Operation

Under very light load condition, the voltage of FB will be decreased to a very low level. When the voltage of FB is dropped below the threshold (V_{SK-E}) that is the hysteresis voltage of internal PWM comparator, the PWM signal will be blanked and stop to drive MOSFET. After the output voltage dropped and FB voltage increased higher than V_{SK-D} , the PWM signal will be resumed.

VDD Hold-Up Mode Operation

During load transient or ultra light load conditions, FB voltage will drop deeply and enter into skipping cycle mode to stop PWM signal. In some conditions, VDD voltage will drop below controller's turn-off threshold (UVLO) and then the system will be restarted. If another load occurred, the system cannot respond immediately and the output voltage will drop deeply. This mode is very useful to prevent system restarting during ultra light load condition and has a quick response for load transients. It doesn't require a two-stage VDD circuit to keep VDD voltage higher than UVLO.

Minimum On Time Modulation

In order to reduce switching loss and minimize acoustic noise, AOZ7523 provides Modulate On-Time to limit the minimum turn-on time ($T_{on,min}$). The modulate on-time is inversely proportional to input voltage. In the condition of low line input voltage, PWM on-time will be enlarged to reduce switching cycles and increase the efficiency of light load. In the condition of high line input voltage, PWM on time will be tighten to minimize acoustic noise and make the ripple of output voltage close in every line input.

Protection Features

Over Voltage Protection (OVP)

It's critical that over voltage protection (OVP) prevents the output voltage from exceeding the ratings of converter's components. The Over-Voltage Protection (OVP) is embedded by the information at the VDD pin. That information comes from the output voltage through the turn-ratio from auxiliary winding to secondary-side winding. When the voltage further rises and exceeds the comparator's reference voltage of static OVP (27V typ), the OVP comparator will shut down the output PWM pulse. The OVP logic also includes 20 μ s de-glitch time for false triggering by noise.

DMAG Over Voltage Protection (DOVP)

AOZ7523 provides a more accurate OVP function from DMAG pin that is to protect system component when the output is over voltage. DMAG pin detect the voltage across the auxiliary winding during MOSFET turn-off period with another 1 μ s de-glitch time. The DMAG pin voltage is proportional to the output voltage. The DMAG OVP will be triggered when the DMAG voltage over 3V continuously with 5 PWM cycles. This DMAG OVP is more accurate and faster than the VDD OVP function. A bypass capacitance (15~100pF) in DMAG pin is needed to avoid false trigger DOVP and malfunction.

DMAG pin Pull Low Protection

AOZ7523 provides a useful protection function in DMAG pin, when DMAG pin is pulled low below 0.3V and continuous with two switching cycles. The pull low current must be larger than 2mA. AOZ7523 will trigger DMAG pin pull low protection to protect system for user defined protection applications.

Cycle-by-Cycle Current Limit

The cycle-by-cycle current-limit protection circuit detects the inductor current and protects power MOSFET by turning off the output driver each cycle when the CS voltage becomes larger than preset voltage level. The voltage across the current detection resistor R_{CS} connected to the GND is fed to the CS pin for current limit detection.

There are two levels for current limit. The slow one, reference voltage set point is $V_{CL} = 0.9V$. AOZ7523 offers 60ms de-bounce timer for counting to enter Over Load Protection (OLP) mode and the system will be auto-recovery. The fast one, reference voltage set point is $V_{CL2} = 1.5V$. This protection function will be triggered, if the fast one comparator is continuously triggered by five times. This condition will be happened during transformer short or Secondary Side Diode Short (SSDS), and the circuit will induce large current in the primary-side.

Over Load Protection (OLP)

AOZ7523 provides Over Load Protection function to prevent the device of power supply system from operating with high stress. The OLP level was set by current sense resistor (R_{CS}). OLP will be triggered when load condition is larger than preset level and continuous with 60ms (4096 clock cycles).

CS Pin Open Protection

The CS pin features open-loop protection to pass the CS pin single fault testing. When CS pin was opened, CS pin voltage will be pulled high by internal circuit. The pull high voltage was higher than $V_{CL2} = 1.5V$, such that SSDS protection will be triggered to protect system.

CS Pin Short Protection

CS pin features short to GND protection to pass the CS pin single fault testing. When CS pin is shorted to GND, it means the CS pin voltage is zero. When CS pin voltage is lower than 80mV with modulate minimum on-time and continuous triggered with 5 cycles, the CS pin short protection will be triggered to protect the power supply system. The detection duration are different between high line input voltage and low line input voltage to protect the component in high line input and detect precisely in low line input voltage.

Thermal Shutdown

AOZ7523 provides internal thermal shutdown protection for controller thermal run away. If the temperature of controller is higher than internal set point, the controller will stop PWM until the temperature cools down, below hysteresis of thermal shutdown set point.

Application Information

AOZ7523 is an advanced current mode converter. Current mode control has many advantages than voltage mode control such as fast response time, simplified feedback loop compensation and cycle-by-cycle current sense.

The duty cycle of AOZ7523 is limited by feedback voltage primary-side peak current of flyback converter's main switch. And there is slope compensation circuit which is designed to prevent sub-harmonic oscillation whenever duty cycle is larger than 50% application.

In order to achieve high efficiency and high performance under light load and no load conditions, AOZ7523 provides fix frequency mode, frequency fold-back mode, frequency skipping mode, and minimum on-time ($T_{on,min}$) modulation functions. AOZ7523 also provides VDD holdup mode to prevent supply voltage drop to UVLO during load transient operation without any extra component.

AOZ7523 still provides an input EMI capacitor (X-cap) residual voltage discharge function for safety, which is called Bleeding Resistor Removal (BRR) from HV pin. It can replace the bleeding resistor for residual voltage discharge and reduce power consumption for bleeding resistors. For safety requirement, the CB certificate number is DK-64852-UL. The HV pin also includes Brown-in Brown-out (LBO) function to protect the system in low line input voltage with higher current stress.

AOZ7523 has many protection functions, such as VDD Over Voltage Protection (OVP), DMAG pin Over Voltage Protection (DOVP), DMAG pin Pull Low Protection (DPLP). Internal Over Temperature Protection (OTP), Secondary Side Diode Short protection (SSDS), CS pin Open/Short Protection and Over Load Protection (OLP).

High Voltage (HV) Start-up

A high voltage device is designed as a current source for the controller during the start-up. It doesn't need any external circuit for start-up. This current source will be turned-off after the AOZ7523 is powered on. The start-up waveform of VDD is shown as Figure 24. The High Voltage (HV) pin also features Brown-in, Brown-out and Bleeding Resistor Removal functions.

The HV pin should be connected to the input terminals through rectifier diodes and a zener diode for Brown-in/ Brown-out and Bleeding Resistor Removal functions. The HV start-up application circuit is shown as Figure 25.

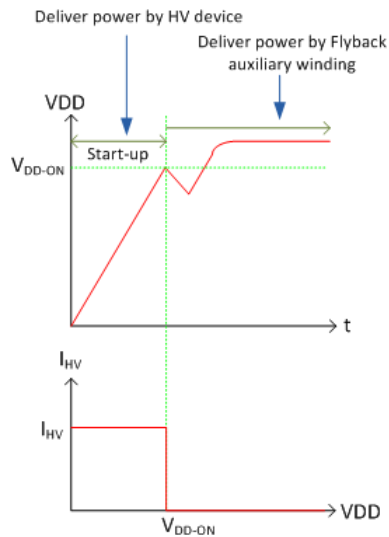


Figure 24. VDD Start-up Waveform

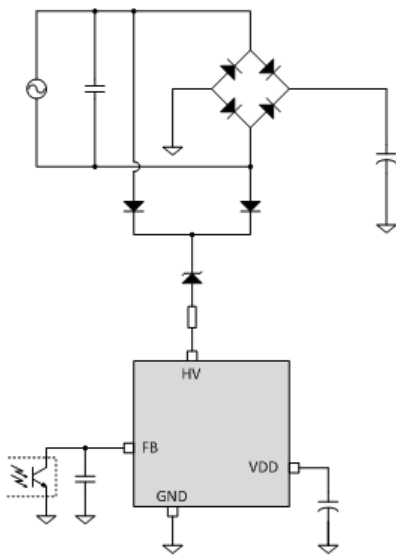


Figure 25. HV Start-up Application Circuit

Bleeding Resistor Removal (BRR)

For EMI requirement, X class capacitor is used to connect between Line (L) and Neutral (N) terminals of AC input. This X class capacitor will be charged to high voltage by AC line input. When the AC line is removed, the charged voltage may trigger a hazard. In general, bleeding resistors are parallel with X class capacitor for discharging the residue voltage to meet the safety requirement. The power consumption of bleeding resistor is not acceptable for the next generation of green requirements. AOZ7523 provides a circuit with no losses that removes the bleeding resistor to save the losses caused by the bleeding resistor. AOZ7523 series connect

with a zener diode of 47V~51V breakdown voltage to detect AC input voltage. When the AC input voltage is removed, the HV pin of AOZ7523 can detect this event and discharge the residue voltage to safe level in 15ms to several hundred milliseconds. And residue voltage will be discharged lower than the connected zener breakdown voltage of the connected zener diode. X-Capacitor discharge by Bleeding Resistor Removal function is shown as Figure 26.

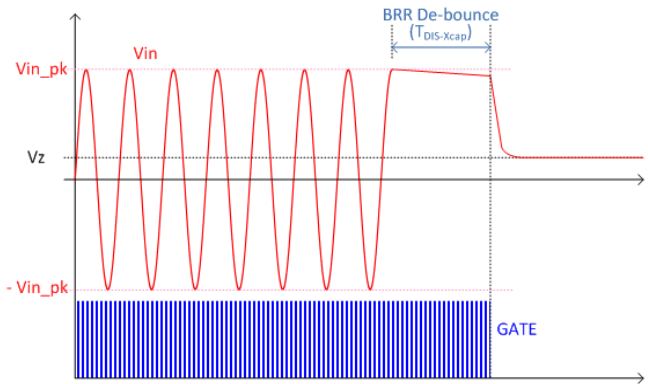


Figure 26. X-Capacitor Discharge by Bleeding Resistor Removal (BRR) Function

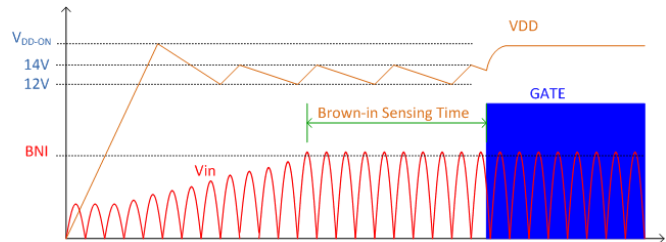


Figure 27. Brown-in Detection by LBO Function

Lossless Brown-in and Brown-out (LBO)

AOZ7523 provides Brown-Out functions to prevent the system malfunction or to avoid higher stress on the components. When VDD is higher than turn on threshold the controller will stay in standby state and VDD voltage will keep between 12V to 14V till the voltage of HV pin is higher than brown-in level. After that, AOZ7523 will start to switch. Brown-in detection by LBO function is shown as Figure 27.

If HV pin voltage is lower than the brown-out level with time period larger than 300ms, AOZ7523 will stop switching and stay in input sensing standby mode. VDD will keep between 12V to 14V and wait for Brown-in signal. Brown-out detection by LBO function is shown as Figure 28. Brown-in level can be fine tune by breakdown

voltage of series zener diode in HV pin, Brown-out level will be $10V_{ac}$ lower than Brown-in level.

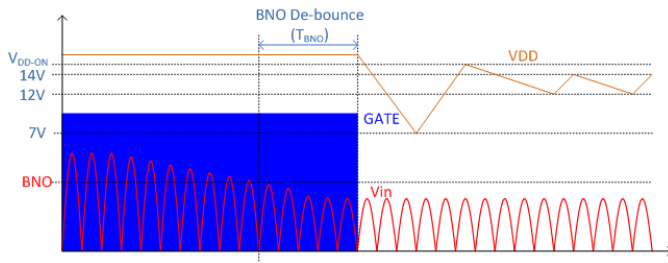


Figure 28. Brown-out Detection by LBO Function

VDD

VDD pin is the power supply pin, the controller is turn on by HV start-up current source. After HV startup, the VDD power is supplied by system's auxiliary power. VDD pin also provides over voltage protection functions with $20\mu s$ de-glitch time, when VDD voltage is higher than $27.5V$ (Typ) and keeping $20\mu s$, the VDD OVP will be triggered.

Under Voltage Lock Out (UVLO)

UVLO function is used to prevent controller malfunction when VDD supply voltage drops. When VDD supply voltage reaches $15V$ (Typ), internal blocks of the IC are enabled and start to operate. When VDD supply voltage drops below $7V$ (Typ), most of the internal circuits are disabled to reduce the current consumption. The related threshold of VDD pin is shown as Figure 29.

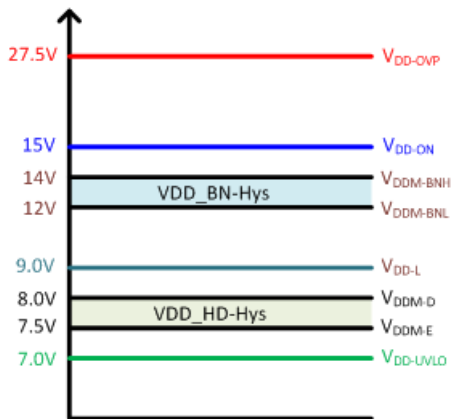


Figure 29. Related Thresholds of VDD

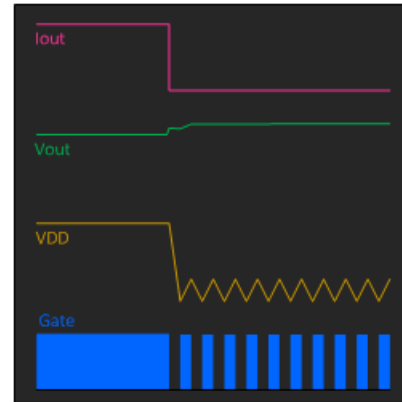


Figure 30. VDD Hold-up Mode

VDD Hold-up Mode

VDD pin also provides VDD hold-up mode to prevent VDD drop below UVLO in every light load or no load conditions. The purpose of VDD hold-up mode is to keep VDD voltage, and prevent VDD to drop below UVLO. VDD hold-up mode at load transient is shown as Figure 30. It's not recommended to design VDD hold-up mode operation in light load or no load conditions. It will increase power consumption in no load condition and output voltage will increase when VDD hold-up mode operation is in light load or no load conditions.

Soft-Start (SS)

To minimize the inrush current and components stress in the period of start-up time. There is a built-in $4ms$ timing soft-start circuit in AOZ7523 to minimize the stress of power components during the star-up period.

Leading Edge Blanking (LEB)

A $250ns$ (typ.) Leading Edge Blanking is applied in current sense pin to prevent false triggered by initial spike of MOSFET turn-on current. The minimum on time is almost equal to propagation delay time plus LEB time. ($T_p + T_{LEB}$). During the period of minimum on time, all of current sense protection functions were masked and PWM cannot be switch off.

Negative voltage ($<-0.3V$) on each pin will cause substrate injection into AOZ7523. This can induce damage of controller or false trigger event. As shown in Figure 31. It's highly recommended to add a R-C filter to reduce the initial spike and negative voltage on CS pin.

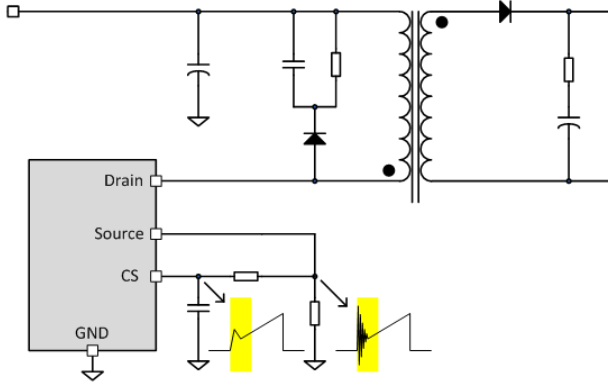


Figure 31. Current Sense Waveform with Spike and Negative Voltage

Current Sense

AOZ7523 is a current-mode controlled PWM controller. The Current Sense pin (CS) is used to sense the current of primary-side MOSFET and make the current loop closing. There is a 0.9V limit for cycle by cycle current limit purpose. The current sense resistor can be setting by the equation (1).

$$0.27 \times \frac{N_{Pri}}{I_{O,max} \times N_{Sec}} \quad (1)$$

Oscillator

The oscillator frequency of AOZ7523 is 65kHz (130kHz is option), which is designed with Spread Spectrum Clock Generator (SSCG) for spreading the energy around the 65kHz (130kHz) to pass the EMI requirement, as shown in Figure 32. The SSCG spread range is $\pm 6\%$ and SSCG period is 16ms. It also generates a saw tooth waveform for slope compensation that is used to release stability issue of current-mode control.

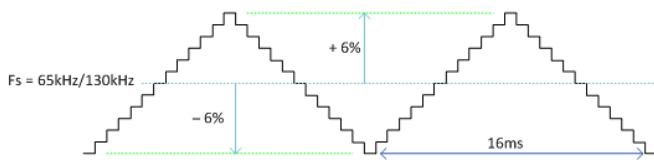


Figure 32. Spread Spectrum Clock Generator (SSCG)

Frequency Foldback and Skip Mode

In order to improve system efficiency, there are frequency foldback and skip modes for light load operation, as shown in Figure 33. The switching frequency will be reduced according to load conditions, from 65kHz (130kHz) to 20kHz. For extra low load conditions, AOZ7523 provides skip mode which can skip cycles to reduce power consumption improve light load efficiency.

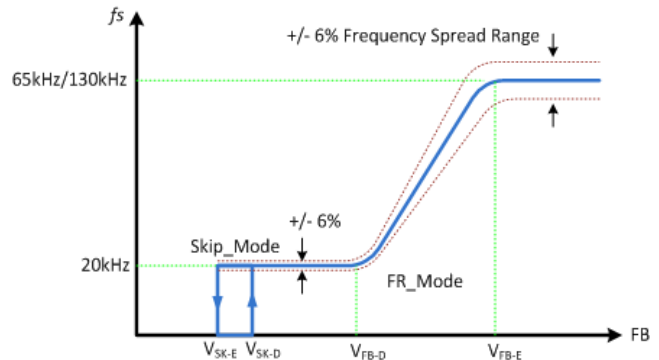


Figure 33. Frequency Reduction Mode and Skip Mode

Feedback

The Feedback (FB) pin is used for voltage feedback looping. The feedback signal is provided from the secondary-side shunt regulator (TL431) and transfer through the opto-coupler to FB pin of AOZ7523. There is a pull high resistor which is built-in the AOZ7523, as shown in Figure 34. The gain to PWM comparator is 0.5V/V, and with one diode offset. The gain of feedback loop will be decreased due to the large pull high resistor. The design of the feedback compensation circuit should be given extra attention.

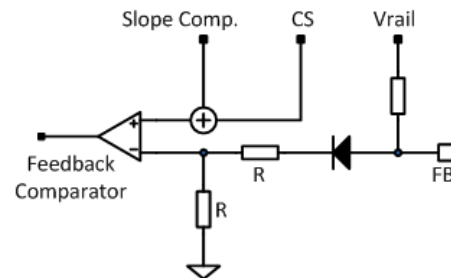


Figure 34. Feedback Pin Internal Behavior Circuit

DMAG

The DMAG pin is used to detect the transformer demagnetize time, output voltage signal and input voltage information. AOZ7523 features Ton minimum (Ton,min) modulation function to reduce the switching loss under light load condition. Ton,min can be modulated by different sinking current from DMAG pin. In case of high line input voltage, the sinking current is large and Ton,min will be small. When the input voltage is low, the sinking current is lower and Ton,min will be larger. AOZ7523 also features DMAG pin over voltage protection function, when the voltage of DMAG pin is higher than 3V with 4 cycles deglitch time, the DMAG OVP will be issued.

In normal operation, DMAG low voltage will be clamped on 1.0V. DMAG pull low function is available. If DMAG pin voltage forced to lower than 0.3V and continuous with

30 μ s, DMAG pull low protection will be triggered . A bypass capacitor is need to parallel in DMAG pin to prevent protection functions false trigger or cause malfunctions. the bypass capacitance must larger than 15pF.

Alpha and Omega Semiconductor provides an EXCEL based design tool, an application note and a demonstration board to help the design of AOZ7523 and reduce the R&D cycle time. All the tools can be download from: www.aosmd.com.

PCB Layout Guide

A good PCB layout can minimize EMI and reduce unknown noise, which is helpful during ESD or lightning surge tests. The followings are good PCB layout guideline for an AC/DC adapter:

1. Bridge rectifier output should directly connect to C_{BULK} first, and use a neck layout to ensure the current flows into C_{BULK} to get better EMI and reduce line frequency ripple.
2. Loop (a), $C_{BULK} \rightarrow$ Transformer \rightarrow MOSFET $\rightarrow R_{CS} \rightarrow C_{BULK}$ (2), this loop is a high frequency and high current loop. The trace return to C_{BULK} should be kept as short as possible and directly connect to C_{BULK} ground.
3. Loop (b), the primary-side RCD snubber acts as a high frequency noise tank, it should be kept far away from the controller. The loop should be as short as possible.
4. Loop (c), the secondary-side snubber is a high frequency switching noise, too. The loop should be kept as short as possible.
5. The VDD decoupling capacitor C_{VDD} needs to be placed close to IC, VDD and GND pin as much as possible.
6. Loop (d), Switching current sense (CS pin) is very important for a stable operation. Normally, a RC filter is recommended to reduce the noise applied to the CS pin.
7. If there's a heat sink for the MOSFET, it should be connected to ground.
8. All ground for controller (4, 5, 6, 7, 8, 9, 10) should connect together first and then use a trace connect to C_{BULK} ground (2) by a neck layout.
9. Loop (e), auxiliary power loop still needs to be kept short. C_{VDD} should be placed close to the controller. This one also needs to use a trace to directly connect to C_{BULK} ground (2) by neck layout.
10. Primary-side ground of Y-Cap (11), it needs to use a trace to directly connect to C_{BULK} ground (2) by neck layout.

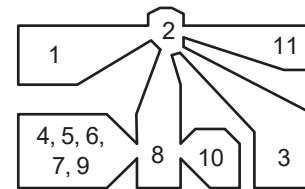


Figure 35. Ground Group of Layout Recommended

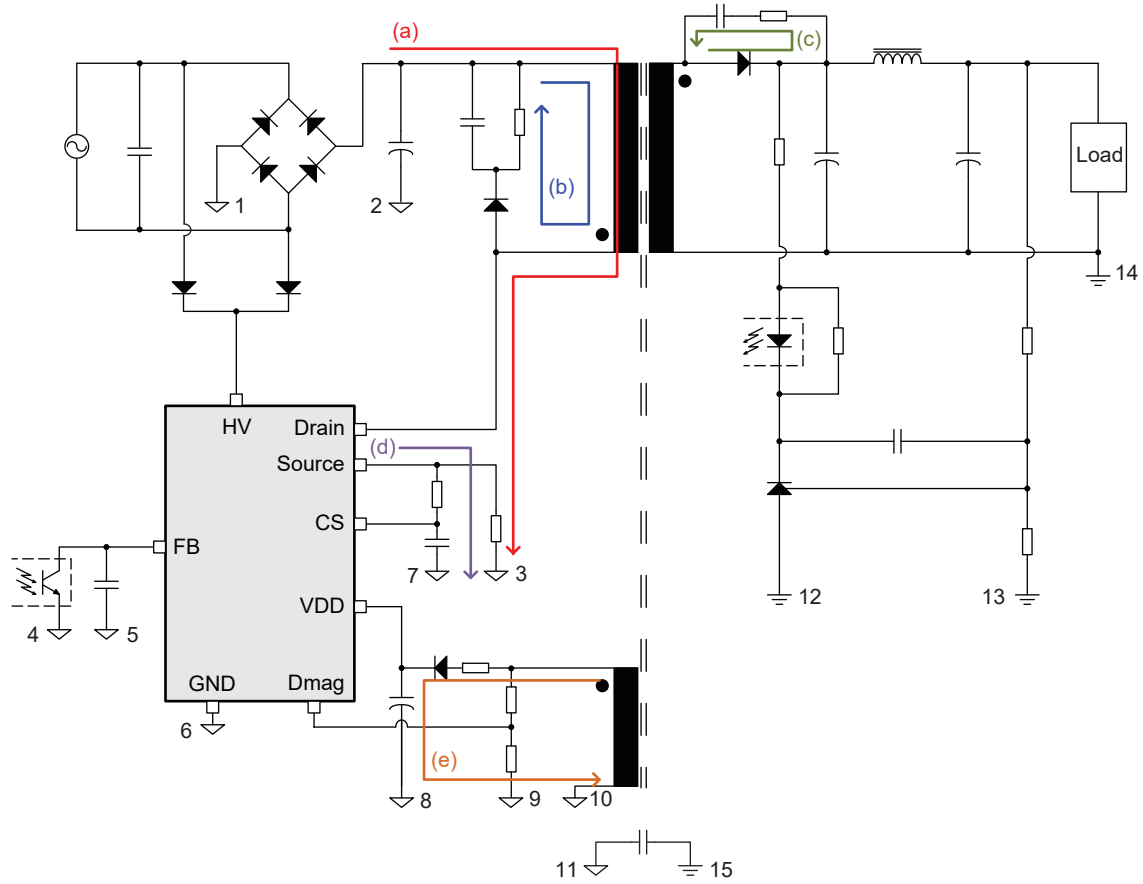


Figure 36. Main Loops for PCB Layout Considerations

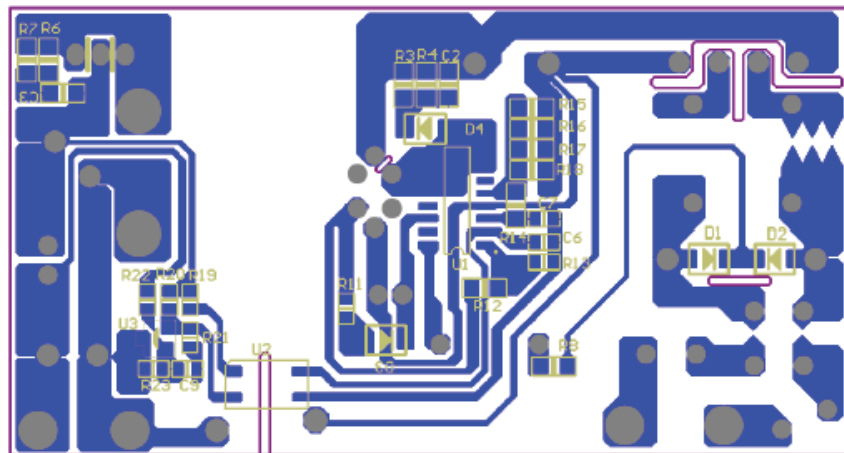
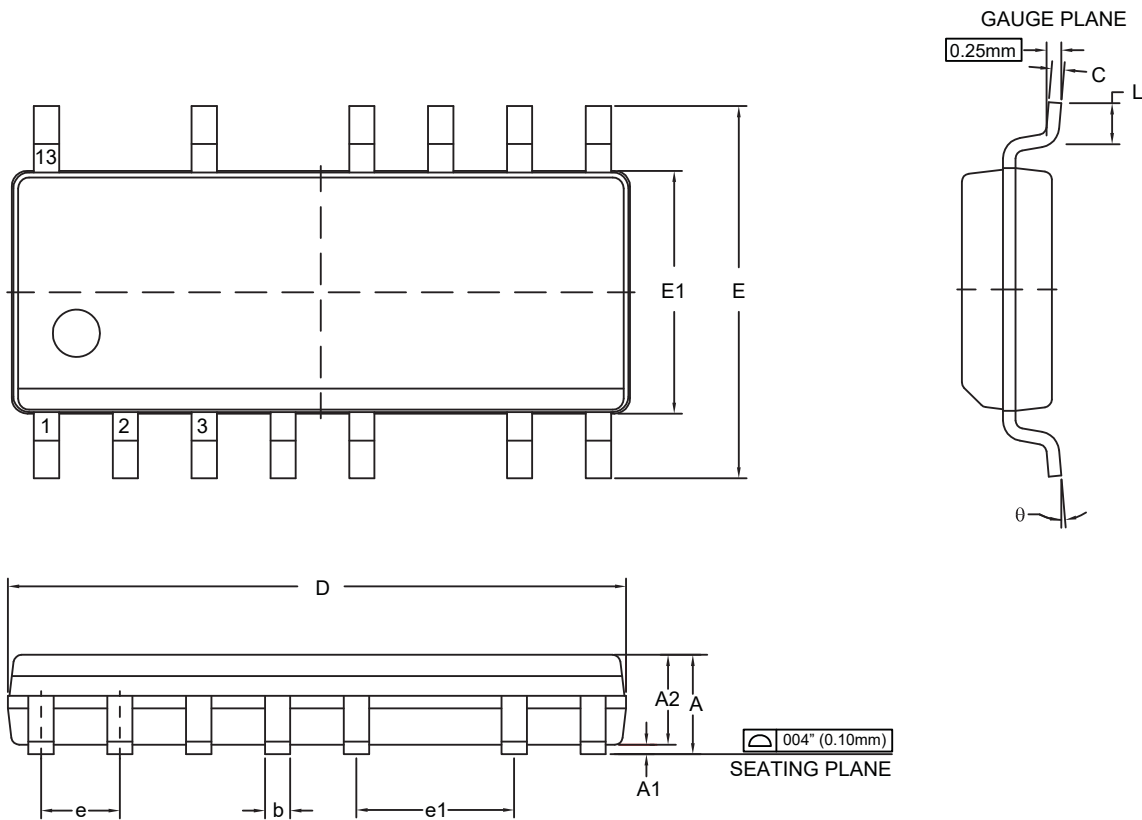
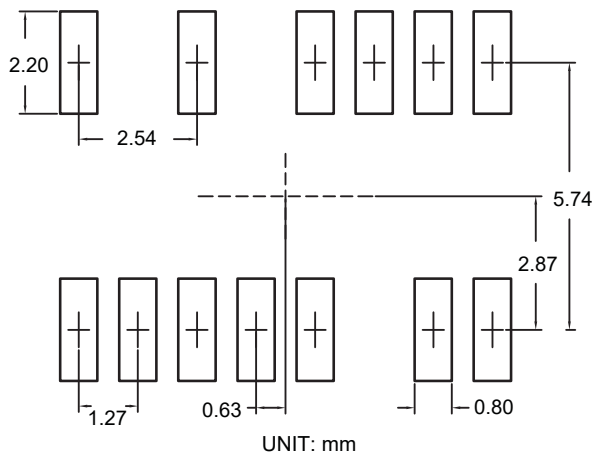


Figure 37. Recommended PCB Layout

Package Dimensions, SO-13L



RECOMMENDED LAND PATTERN



Dimensions in millimeters

Symbols	Min.	Nom.	Max.
A	1.35	1.60	1.75
A1	0.10	—	0.25
A2	—	1.45	—
b	0.33	—	0.51
c	0.19	—	0.25
D	9.80	—	10.00
E1	3.80	3.90	4.00
e	1.27 TYP		
E	5.80	6.00	6.20
L	0.40	—	1.27
θ	0°	—	8°
e1	2.54 TYP		

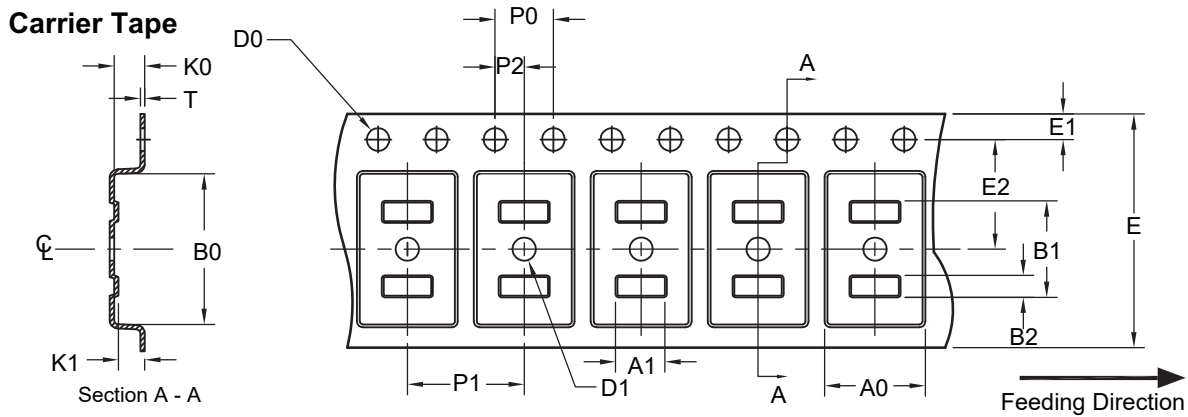
Dimensions in inches

Symbols	Min.	Nom.	Max.
A	0.053	0.063	0.069
A1	0.004	—	0.010
A2	—	0.057	—
b	0.013	—	0.020
c	0.007	—	0.010
D	0.386	—	0.394
E1	0.150	0.154	0.157
e	0.050 TYP		
E	0.228	0.236	0.244
L	0.016	—	0.050
θ	0°	—	8°
e1	0.100 TYP		

Notes:

1. All dimensions are in millimeters.
2. Dimensions are inclusive of plating.
3. Package body size exclude mold flash and gate burrs. Mold flash at the non-lead sides should be less than 6 mils each.
4. Controlling dimension is millimeter, converted inch dimensions are not necessarily exact.
5. Paddle exposed on bottom.

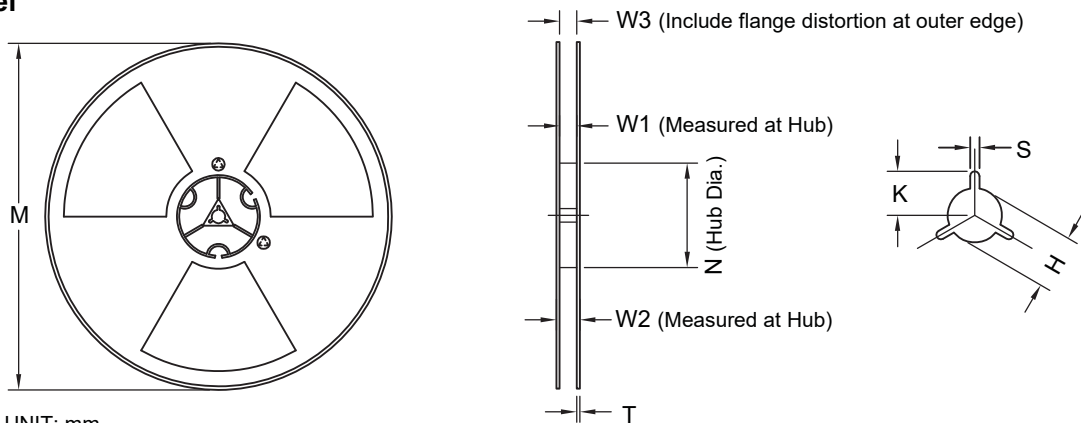
Tape and Reel Dimensions, SO-13L



UNIT: mm

Package	A0	B0	K0	K1	D0	D1	E	E1	E2	P0	P1	P2	T	B1	B2	A1
SO-13 (16mm)	6.50 ±0.10	10.30 ±0.10	2.30 ±0.10	1.80 ±0.10	1.55 ±0.05	1.60 ±0.10	16.00 ±0.30	1.75 ±0.10	7.50 ±0.10	4.00 ±0.10	8.00 ±0.10	2.00 ±0.10	0.30 ±0.05	REF. 6.6	REF. 1.5	REF. 3.5

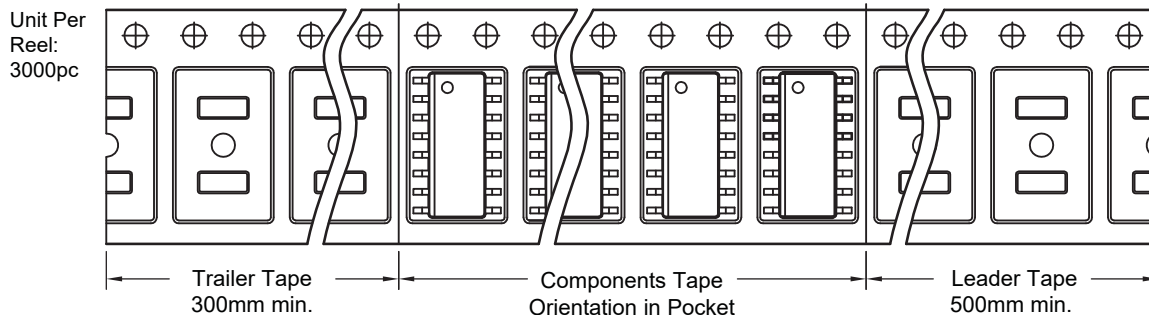
Reel



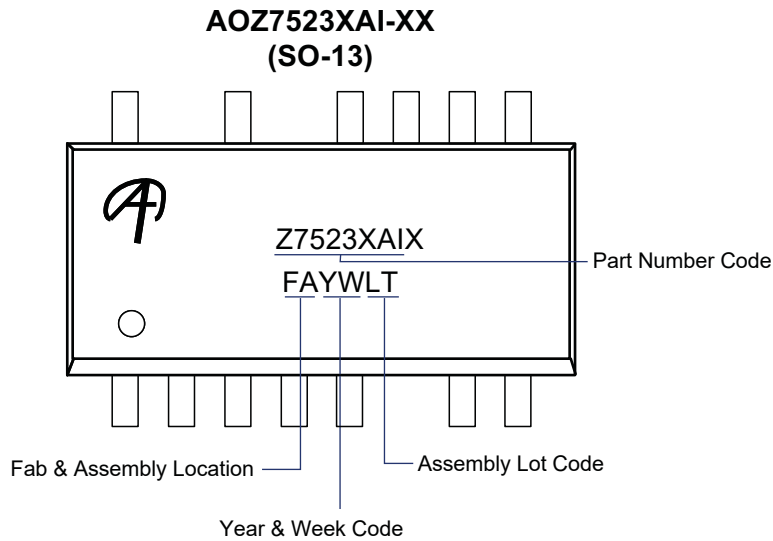
UNIT: mm

Tape Size	M	N	T	W1	W2	W3	S	K	H
16mm	ø332 MAX.	ø100.00 ±2.00	2.00 ±0.05	16.40 +0.50/-0.20	22.40 MAX.	15.9~19.4	2.20 TYP.	10.10 MIN.	ø13.00 ±2.00

Leader/Trailer and Orientation



Part Marking



LEGAL DISCLAIMER

Applications or uses as critical components in life support devices or systems are not authorized. AOS does not assume any liability arising out of such applications or uses of its products. AOS reserves the right to make changes to product specifications without notice. It is the responsibility of the customer to evaluate suitability of the product for their intended application. Customer shall comply with applicable legal requirements, including all applicable export control rules, regulations and limitations.

AOS' products are provided subject to AOS' terms and conditions of sale which are set forth at:
http://www.aosmd.com/terms_and_conditions_of_sale

LIFE SUPPORT POLICY

ALPHA AND OMEGA SEMICONDUCTOR PRODUCTS ARE NOT AUTHORIZED FOR USE AS CRITICAL COMPONENTS IN LIFE SUPPORT DEVICES OR SYSTEMS.

As used herein:

- | | |
|---|---|
| <p>1. Life support devices or systems are devices or systems which, (a) are intended for surgical implant into the body or (b) support or sustain life, and (c) whose failure to perform when properly used in accordance with instructions for use provided in the labeling, can be reasonably expected to result in a significant injury of the user.</p> | <p>2. A critical component in any component of a life support, device, or system whose failure to perform can be reasonably expected to cause the failure of the life support device or system, or to affect its safety or effectiveness.</p> |
|---|---|

OUR CERTIFICATE

DiGi provide top-quality products and perfect service for customer worldwide through standardization, technological innovation and continuous improvement. DiGi through third-party certification, we stricly control the quality of products and services. Welcome your RFQ to

Email: Info@DiGi-Electronics.com



Tel: +00 852-30501935

RFQ Email: Info@DiGi-Electronics.com

DiGi is a global authorized distributor of electronic components.