

AOZ8881DI-05 Datasheet



DiGi Electronics Part Number	AOZ8881DI-05-DG
Manufacturer	Alpha & Omega Semiconductor Inc.
Manufacturer Product Number	AOZ8881DI-05
Description	TVS DIODE 5VWM 24VC 6DFN
Detailed Description	24V Clamp 12A Ipp Tvs Diode Surface Mount 6-DFN (1.2x1.1)

<https://www.DiGi-Electronics.com>

This model AOZ8881DI-05 is available at DiGi Electronics.

DiGi Electronics offers a global database of semiconductor and electronic component datasheets.

We welcome your inquiries regarding pricing, lead time, or other product-related questions.

 [Request a Quote](#)

 [Datasheet Search](#)



Tel: +00 852-30501935

RFQ Email: Info@DiGi-Electronics.com

DiGi is a global authorized distributor of electronic components.

Purchase and inquiry

Manufacturer Product Number:

AOZ8881DI-05

Series:

-

Type:

Steering (Rail to Rail)

Voltage - Reverse Standoff (Typ):

5V

Voltage - Clamping (Max) @ Ipp:

24V

Power - Peak Pulse:

-

Applications:

General Purpose

Operating Temperature:

-40°C ~ 125°C (Tj)

Package / Case:

6-UFDN

Base Product Number:

AOZ8881

Manufacturer:

Alpha & Omega Semiconductor Inc.

Product Status:

Obsolete

Unidirectional Channels:

3

Voltage - Breakdown (Min):

6V

Current - Peak Pulse (10/1000µs):

12A

Power Line Protection:

Yes

Capacitance @ Frequency:

0.3pF @ 1MHz

Mounting Type:

Surface Mount

Supplier Device Package:

6-DFN (1.2x1.1)

Environmental & Export classification

Moisture Sensitivity Level (MSL):

1 (Unlimited)

ECCN:

EAR99

REACH Status:

REACH Unaffected

HTSUS:

8541.10.0080

General Description

The AOZ8881 is a transient voltage suppressor array designed to protect high speed data lines such as HDMI, MDDI, USB, SATA, and Gigabit Ethernet from damaging ESD events.

This device incorporates four surge rated, low capacitance steering diodes and a TVS in a single package. During transient conditions, the steering diodes direct the transient to either the positive side of the power supply line or to ground.

The AOZ8881 provides a typical line to ground capacitance of 0.3 pF and low insertion loss up to 6 GHz providing greater signal integrity making it ideally suited for HDMI 1.3 applications, such as Digital TVs, DVD players, set-top boxes and USB applications in mobile computing devices.

The AOZ8881 comes in a RoHS compliant and Halogen Free 1.2 mm x 1.1 mm x 0.55 mm DFN-6 package and is rated -40 °C to +85 °C junction temperature range.

Features

- ESD protection for high-speed data lines:
 - IEC 61000-4-2, level 4 (ESD) immunity test
 - Air discharge: ±15 kV; Contact discharge: ±15 kV
 - IEC61000-4-4 (EFT) 40 A (5/50 nS)
 - IEC61000-4-5 (Lightning) 2.5 A (8/20 μS)
 - Human Body Model (HBM) ±24 kV
- Array of surge rated diodes with internal TVS diode
- Small package saves board space
- Protects two I/O lines
- Low clamping voltage
- Low operating voltage: 5.0 V

Applications

- USB, MDDI, SATA ports
- Monitors and flat panel displays
- Set-top box
- Video graphics cards
- Digital Video Interface (DVI)
- Notebook computers



Typical Application

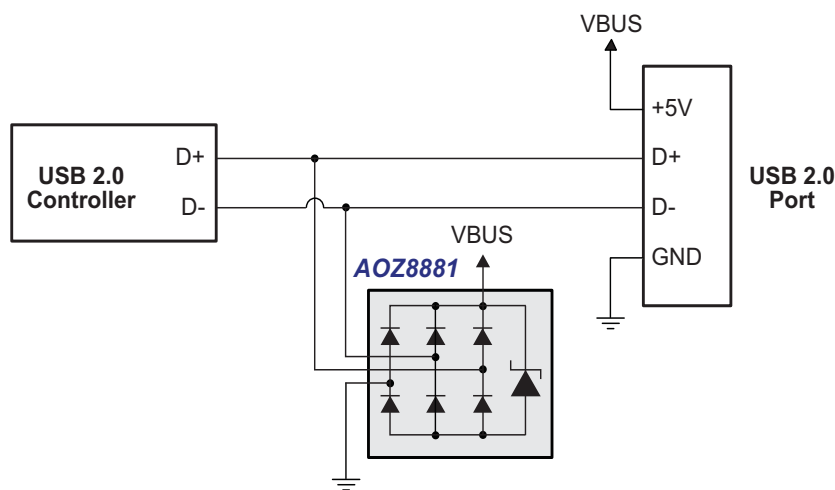


Figure 1. USB Port

Ordering Information

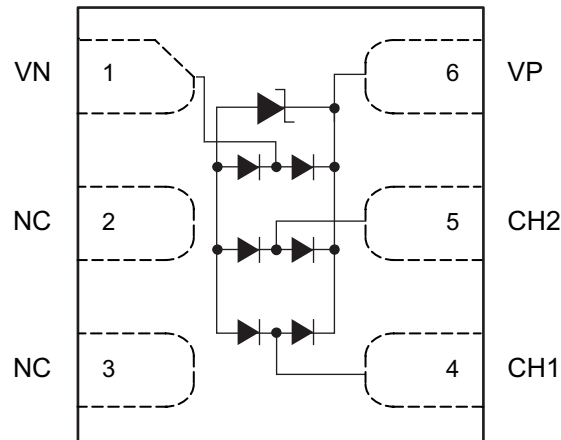
Part Number	Ambient Temperature Range	Package	Environmental
AOZ8881DI-05	-40 °C to +85 °C	DFN-6	Green Product RoHS Compliant



AOS Green Products use reduced levels of Halogens, and are also RoHS compliant.

Please visit www.aosmd.com/media/AOSGreenPolicy.pdf for additional information.

Pin Configuration



DFN-6
(Top Thru View)

Absolute Maximum Ratings

Exceeding the Absolute Maximum ratings may damage the device.

Parameter	Rating
Storage Temperature (T _S)	-65 °C to +150 °C
ESD Rating per IEC61000-4-2, contact ⁽¹⁾	±15 kV
ESD Rating per IEC61000-4-2, air ⁽¹⁾	±15 kV
ESD Rating per Human Body Model ⁽²⁾	±24 kV

Notes:

1. IEC 61000-4-2 discharge with C_{Discharge} = 150 pF, R_{Discharge} = 330 Ω.

2. Human Body Discharge per MIL-STD-883, Method 3015 C_{Discharge} = 100 pF, R_{Discharge} = 1.5 kΩ.

Maximum Operating Ratings

Parameter	Rating
Junction Temperature (T _J)	-40 °C to +125 °C

Electrical Characteristics

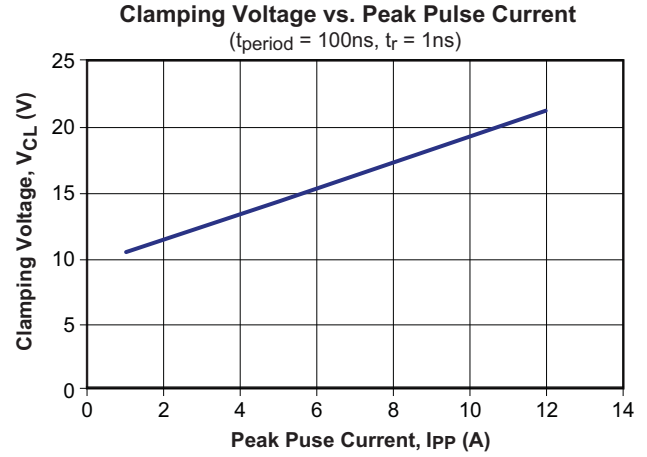
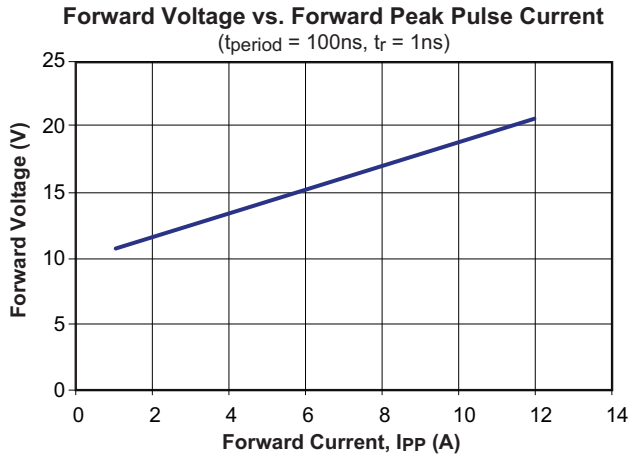
$T_A = 25^\circ\text{C}$ unless otherwise specified.

Symbol	Parameter	Conditions	Min.	Typ.	Max.	Units
V_{RWM}	Reverse Working Voltage	Between I/O and VN ⁽³⁾			5.0	V
V_{BR}	Reverse Breakdown Voltage	$I_T = 1 \text{ mA}$, between I/O and VN ⁽⁴⁾	6.0			V
I_R	Reverse Leakage Current	$V_{RWM} = 5 \text{ V}$, between I/O and VN			1	μA
V_{CL}	Channel Clamp Voltage Positive Transients Negative Transient	$I_{PP} = 1 \text{ A}$, $t_p = 100 \text{ ns}$, any I/O pin to Ground ⁽⁵⁾			15 -15	V V
	Channel Clamp Voltage Positive Transients Negative Transient	$I_{PP} = 5 \text{ A}$, $t_p = 100 \text{ ns}$, any I/O pin to Ground ⁽⁵⁾			20 -20	V V
	Channel Clamp Voltage Positive Transients Negative Transient	$I_{PP} = 12 \text{ A}$, $t_p = 100 \text{ ns}$, any I/O pin to Ground ⁽⁵⁾			24 -24	V V
C_j	Channel Input Capacitance	$V_R = 0 \text{ V}$, $f = 1 \text{ MHz}$, any I/O pin to Ground		0.30	0.45	pF

Notes:

- The working peak reverse voltage, V_{RWM} , should be equal to or greater than the DC or continuous peak operating voltage level.
- V_{BR} is measured at the pulse test current I_T .
- Measurements performed using a 100 ns Transmission Line Pulse (TLP) system.

Typical Performance Characteristics



Protecting USB Ports from ESD

Because electrostatic discharge (ESD) is common in electronic systems, a device that provides protection from the undesirable effects of ESD must be included in the system design. Designing ESD protection structures is becoming more and more challenging with the system bus and I/O operating more often at high-speed data rates. An Integrated Circuit (IC) connected to external ports can be damaged by ESD from the operating environment. The result of ever-shrinking IC process technology is the decrease of ESD robustness because of the smaller geometry of the silicon die.

Since USB is a hot insertion and removal system, the USB components are subjected to ESD and cable discharge event more frequently. Traditional methods of ESD protection include metal oxide varistors (MOVs), and regular CMOS or bipolar clamping diodes. At higher data rates the parasitic characteristics of those devices can cause distortion, deterioration and data loss of the signal integrity. AOZ8881 offers ESD protection for high-speed data rates and for diode array chips for ease of design.

The very low 0.6 pF (typical) line capacitance of the AOZ8881 ensures less distortion of the 480 Mbit/s USB 2.0 signal; the chips also protect against electrostatic discharge up to the stringent IEC61000-4-2 level 4, 8 kV (Contact Discharge) and 15kV standard (Air Discharge). They also provide ultra low matching capacitance to help improve the signal quality of differential data lines. Monolithic integration provides high device reliability, and an optimized pin-out allows EMI-free board layouts. Figure 2 illustrates the flow through design of the PCB layout with the AOZ8881 package design. The pinout of the AOZ8881 is designed to simply drop onto the IO lines of a USB 2.0 design without having to divert the signal lines that may add more parasitic inductance. Pins 1, 2, 3 and 4 connected to the internal TVS devices and ground. Pins 5 and 6 are no connects. The no connects are in place so the package can be securely soldered onto the PCB surface.

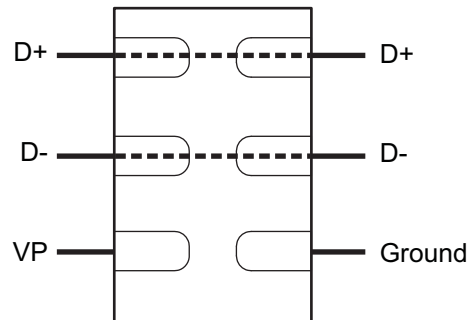


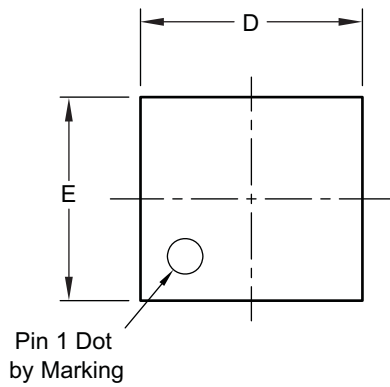
Figure 2. Flow-through Layout

USB 2.0 PCB Layout Guidelines

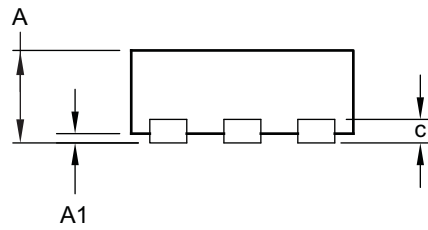
Printed circuit board layout is the key to achieving the highest level of surge immunity on power and data lines. The location of the protection devices on the PCB is the simplest and most important design rule to follow. The AOZ8881 devices should be located as close as possible to the noise source. The placement of the AOZ8881 devices should be used on all data and power lines that enter or exit the PCB at the I/O connector. In most systems, surge pulses occur on data and power lines that enter the PCB through the I/O connector. Placing the AOZ8881 devices as close as possible to the noise source ensures that a surge voltage will be clamped before the pulse can be coupled into adjacent PCB traces. In addition, the PCB should use the shortest possible traces. A short trace length equates to low impedance, which ensures that the surge energy will be dissipated by the AOZ8881 device. Long signal traces will act as antennas to receive energy from fields that are

produced by the ESD pulse. By keeping line lengths as short as possible, the efficiency of the line to act as an antenna for ESD related fields is reduced. Minimize interconnecting line lengths by placing devices with the most interconnect as close together as possible. The protection circuits should shunt the surge voltage to either the reference or chassis ground. Shunting the surge voltage directly to the IC's signal ground can cause ground bounce. The clamping performance of TVS diodes on a single ground PCB can be improved by minimizing the impedance with relatively short and wide ground traces. The PCB layout and IC package parasitic inductances can cause significant overshoot to the TVS's clamping voltage. The inductance of the PCB can be reduced by using short trace lengths and multiple layers with separate ground and power planes. One effective method to minimize loop problems is to incorporate a ground plane in the PCB design.

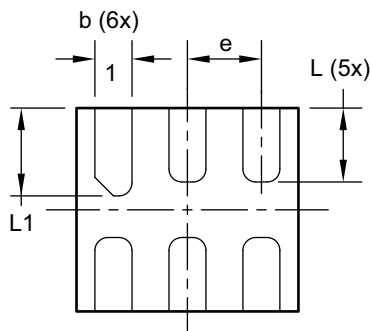
Package Dimensions, DFN-6, 1.2 mm x 1.1 mm x 0.55 mm



TOP VIEW

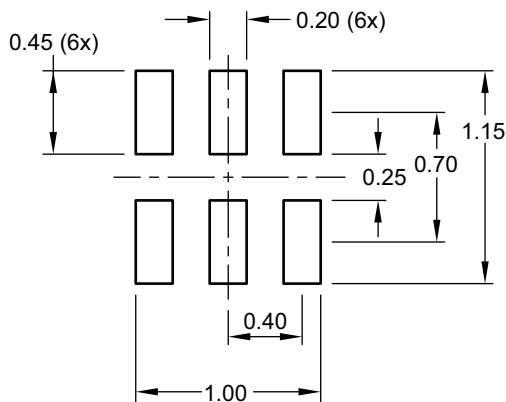


SIDE VIEW



BOTTOM VIEW

RECOMMENDED LAND PATTERN



UNIT: mm

Dimensions in millimeters

Symbols	Min.	Nom.	Max.
A	0.50	0.55	0.60
A1	0.00	—	0.05
b	0.15	0.20	0.25
c	0.152 Ref.		
D	1.15	1.20	1.25
E	1.05	1.00	1.10
e	0.40 BSC		
L	0.30	0.40	0.50
L1	0.375	0.475	0.575

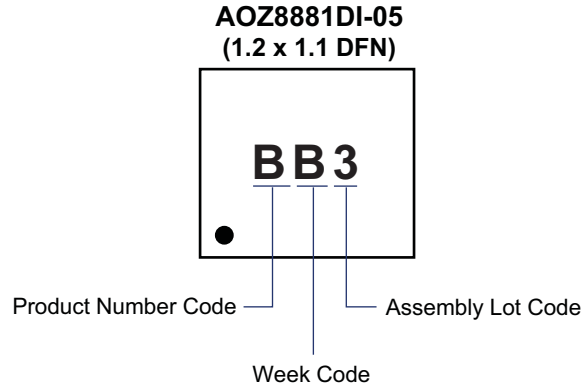
Dimensions in inches

Symbols	Min.	Nom.	Max.
A	0.020	0.022	0.024
A1	0.000	—	0.002
b	0.006	0.008	0.010
c	0.006 Ref.		
D	0.045	0.047	0.049
E	0.041	0.043	0.045
e	0.016 BSC		
L	0.012	0.016	0.020
L1	0.015	0.019	0.023

Note:

- Controlling dimension is millimeter, converted inch dimensions are not necessarily exact.

Part Marking



LEGAL DISCLAIMER

Alpha and Omega Semiconductor makes no representations or warranties with respect to the accuracy or completeness of the information provided herein and takes no liabilities for the consequences of use of such information or any product described herein. Alpha and Omega Semiconductor reserves the right to make changes to such information at any time without further notice. This document does not constitute the grant of any intellectual property rights or representation of non-infringement of any third party’s intellectual property rights.

LIFE SUPPORT POLICY

ALPHA AND OMEGA SEMICONDUCTOR PRODUCTS ARE NOT AUTHORIZED FOR USE AS CRITICAL COMPONENTS IN LIFE SUPPORT DEVICES OR SYSTEMS.

As used herein:

- | | |
|---|---|
| <p>1. Life support devices or systems are devices or systems which, (a) are intended for surgical implant into the body or (b) support or sustain life, and (c) whose failure to perform when properly used in accordance with instructions for use provided in the labeling, can be reasonably expected to result in a significant injury of the user.</p> | <p>2. A critical component in any component of a life support, device, or system whose failure to perform can be reasonably expected to cause the failure of the life support device or system, or to affect its safety or effectiveness.</p> |
|---|---|

OUR CERTIFICATE

DiGi provide top-quality products and perfect service for customer worldwide through standardization, technological innovation and continuous improvement. DiGi through third-party certification, we stricly control the quality of products and services. Welcome your RFQ to

Email: Info@DiGi-Electronics.com



Tel: +00 852-30501935

RFQ Email: Info@DiGi-Electronics.com

DiGi is a global authorized distributor of electronic components.