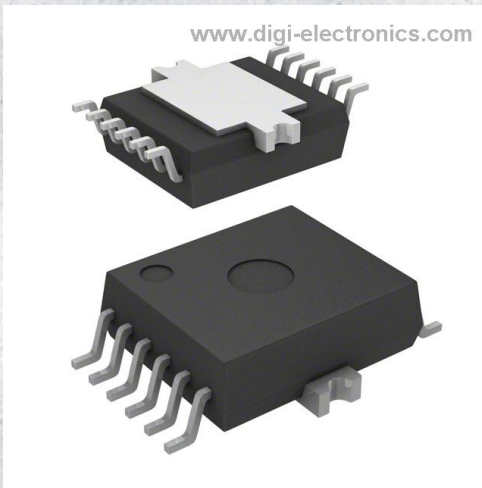


# BTS500801EGAAUMA1 Datasheet



<https://www.DiGi-Electronics.com>

DiGi Electronics Part Number	BTS500801EGAAUMA1-DG
Manufacturer	<a href="#">Infineon Technologies</a>
Manufacturer Product Number	BTS500801EGAAUMA1
Description	IC PWR SWITCH N-CHAN 1:1 DSO-12
Detailed Description	Power Switch/Driver 1:1 N-Channel 13A PG-DSO-12-16



Tel: +00 852-30501935

RFQ Email: [Info@DiGi-Electronics.com](mailto:Info@DiGi-Electronics.com)

DiGi is a global authorized distributor of electronic components.

## Purchase and inquiry

Manufacturer Product Number:

BTS500801EGAAUMA1

Series:

PROFET®

Switch Type:

General Purpose

Ratio - Input:Output:

1:1

Output Type:

N-Channel

Voltage - Load:

9V ~ 16V

Current - Output (Max):

13A

Input Type:

-

Fault Protection:

Current Limiting (Fixed), Open Load Detect, Over Temperature, Over Voltage

Mounting Type:

Surface Mount

Package / Case:

12-BSOP (0.295", 7.50mm Width) Exposed Pad

Manufacturer:

Infineon Technologies

Product Status:

Obsolete

Number of Outputs:

1

Output Configuration:

High Side

Interface:

On/Off

Voltage - Supply (Vcc/Vdd):

Not Required

Rds On (Typ):

8mOhm

Features:

Auto Restart

Operating Temperature:

-40°C ~ 150°C (TJ)

Supplier Device Package:

PG-DSO-12-16

Base Product Number:

BTS50080

## Environmental & Export classification

RoHS Status:

ROHS3 Compliant

REACH Status:

REACH Unaffected

HTSUS:

8542.39.0001

Moisture Sensitivity Level (MSL):

3 (168 Hours)

ECCN:

EAR99

# BTS50080-1EGA

Smart High-Side Power Switch

PROFET™

Automotive



Never stop thinking



<b>1</b>	<b>Overview</b>	<b>3</b>
<b>2</b>	<b>Block Diagram and Terms</b>	<b>5</b>
2.1	Block Diagram	5
2.2	Terms	5
<b>3</b>	<b>Pin Configuration</b>	<b>6</b>
3.1	Pin Assignment BTS50080-1EGA	6
3.2	Pin Definitions and Functions	6
<b>4</b>	<b>General Product Characteristics</b>	<b>7</b>
4.1	Absolute Maximum Ratings	7
4.2	Functional Range	8
4.3	Thermal Resistance	9
4.4	Package	9
<b>5</b>	<b>Power Stages</b>	<b>10</b>
5.1	Input Circuit	10
5.2	Output On-State Resistance	10
5.3	Output Timing	10
5.4	Switching losses for resistive loads	11
5.5	Output Inductive Clamp	12
5.6	Inverse Operation Capability	14
5.7	Undervoltage shutdown + restart	15
5.8	Electrical Characteristics: Power Stages	16
<b>6</b>	<b>Protection Functions</b>	<b>18</b>
6.1	Short Circuit Protection	18
6.2	Short Circuit Impedance	18
6.3	Over Temperature Protection	19
6.4	Infineon® INTELLIGENT LATCH - fault acknowledge and latch reset	19
6.5	Reverse Polarity Protection - Reversave™	20
6.6	ESD Protection	21
6.7	Loss of Ground Protection	21
6.8	Loss of Load Protection, Loss of Vbb Protection	21
6.9	Electrical Characteristics: Protection Functions	22
<b>7</b>	<b>Diagnostic Functions</b>	<b>23</b>
7.1	Diagnosis Enable	23
7.2	Diagnosis during ON	24
7.3	Diagnosis during OFF	26
7.4	Diagnosis Disable	27
7.5	Electrical Characteristics: Diagnostic Functions	28
<b>8</b>	<b>Application schematic</b>	<b>30</b>
8.1	Hints for PCB layout	30
8.2	Further Application Information	30
<b>9</b>	<b>Package Outlines</b>	<b>31</b>
<b>10</b>	<b>Revision History</b>	<b>32</b>



**Smart High-Side Power Switch  
PROFET™**

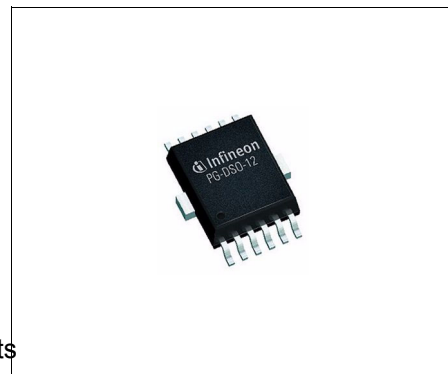
**BTS50080-1EGA**



**1 Overview**

**Features**

- Part of scalable product family
- 3.3 and 5V compatible, ground referenced CMOS compatible inputs
- Optimized electromagnetic compatibility (EMC)
- Very low standby current
- Stable behavior at under-voltage
- Secure load turn-off while device ground disconnected
- ReverSave™ - Reverse battery protection without external components
- Inverse load current capability
- Infineon® INTELLIGENT LATCH
- Green Product (RoHS compliant)
- AEC qualified



PG-DSO-12-16

Operating voltage range	$V_{bb(ext)}$	6 .. 28V
Minimum power stage over-voltage protection	$V_{DS(CL)}$	42 V
Typical on-state resistance at $T_j = 25^\circ\text{C}$	$R_{DS(ON)}$	8 mΩ
Maximum on-state resistance at $T_j = 150^\circ\text{C}$	$R_{DS(ON)}$	16 mΩ
Typical nominal load current	$I_{L(nom)}$	13 A
Minimum short circuit shutdown Threshold (SCT)	$I_{L(SC)high}$	80 A
Maximum stand-by current for whole device with load for $T_j \leq 85^\circ\text{C}$	$I_{bb(OFF)}$	10 μA

**Description**

The BTS50080-1EGA is a single channel high-side power switch in PG-DSO-12-16 package providing embedded protective functions including ReverSave™ and Infineon® INTELLIGENT LATCH.

The power transistor is built by a N-channel vertical power MOSFET with charge pump. The design is based on Smart power chip on chip technology.

The BTS50080-1EGA has ground referenced CMOS compatible inputs.

ReverSave™ is a protection feature that causes the power transistor to switch on in case of reverse polarity. As a result, the power dissipation is reduced.

Infineon® INTELLIGENT LATCH ensures a latched switch-off and reporting in case of fault condition.

The Infineon® ENHANCED SENSE pin IS provides a sophisticated diagnostic feedback signal including current sense functionality, open load in ON-state (via sense signal) and open load and short to battery in OFF-state. Diagnostic reporting can be enabled and disabled by the DEN-Pin in ON-state and OFF-state. In OFF-state, open load detection can also be disabled by the DEN-Pin to optimize stand-by current.

Type	Package	Marking
BTS50080-1EGA	PG-DSO-12-16	BTS 50080A

**Protective Functions**

- Short circuit protection with latch
- Thermal shutdown with latch
- Infineon<sup>®</sup> INTELLIGENT LATCH - reset able latch resulting from protective switch-off
- ReverSave<sup>™</sup> - Reverse battery protection by self turn on of power MOSFET
- Inverse load current capability - Inverse operation function
- Under voltage shutdown with restart
- Over voltage protection (including load dump)
- Loss of ground protection
- Loss of  $V_{bb}$  protection (with external diode for charged inductive loads)
- Electrostatic discharge protection (ESD)

**Diagnostic Functions**

- Enable function for diagnosis and reporting
- Provides capability for multiplexing of the reporting signal from multiple devices by DEN pin.

In ON-state:

- Provides analog sense signal of load current in normal operation mode
- Provides defined fault current signal in case of overload, over temperature and short circuit to ground
- Open load detection in ON-state by load current sense

In OFF-State:

- Open load and short to battery detection

**Applications**

- $\mu$ C compatible high-side power switch with diagnostic feedback for 12 V system grounded loads
- All types of resistive, inductive and capacitive loads
- Most suitable for loads with high inrush currents, such as glow plugs, PTC heaters, or lamps
- Replaces electromechanical relays, fuses and discrete circuits

## 2 Block Diagram and Terms

### 2.1 Block Diagram

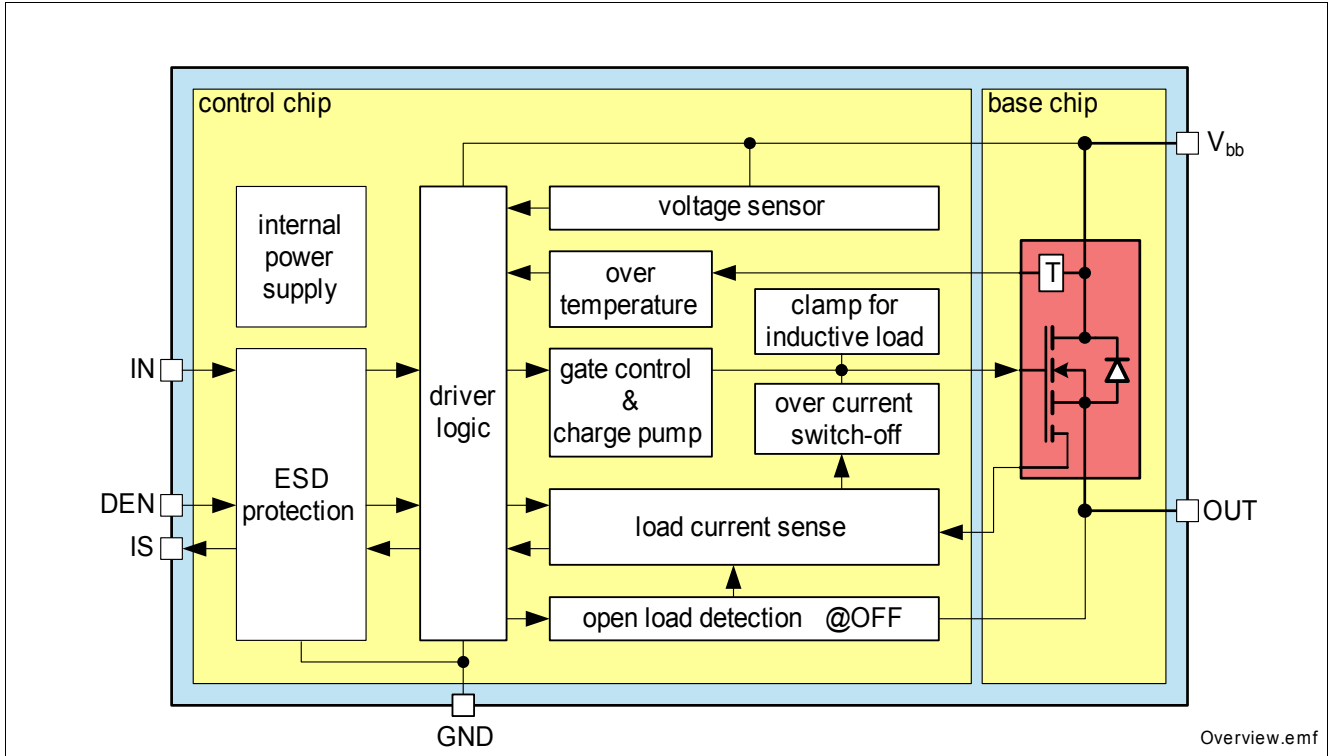


Figure 1 Block Diagram

### 2.2 Terms

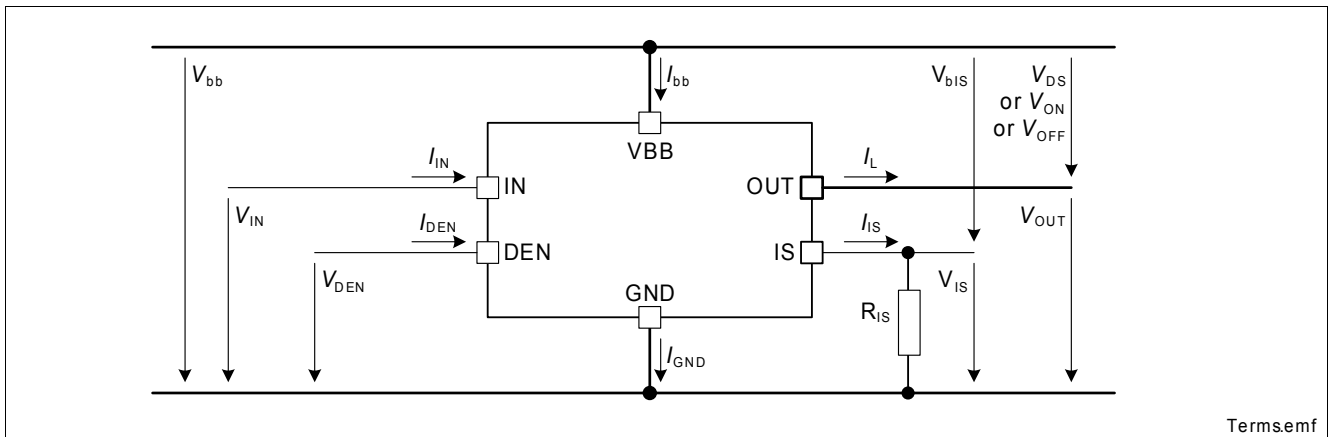


Figure 2 Terms



### 3 Pin Configuration

#### 3.1 Pin Assignment BTS50080-1EGA

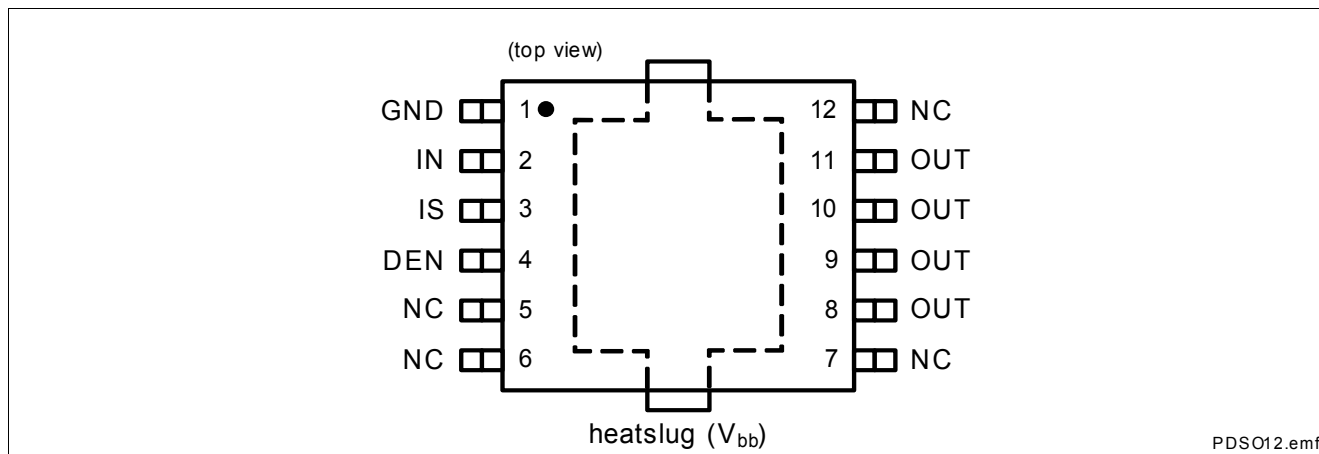


Figure 3 Pin Configuration

#### 3.2 Pin Definitions and Functions

Pin	Symbol	I/O	Function
1	GND	-	Ground connection for control chip
2	IN	I	Input: activates power switch. Has an internal pull down resistor.
3	IS	O	Sense Output: With diagnosis enabled, provides a sense current proportional to the load current during normal operation. During open load in ON provides no current. Provides a defined fault current in case of overload, over temperature or short circuit during ON or open load or short to battery during OFF (see <a href="#">Table 1 “Truth Table” on Page 24</a> )
4	DEN	I	Diagnosis ENable: with high level enables diagnosis reporting and open load / short to battery detection in OFF. Resets a protective, latched switch-off by falling edge acknowledgement. Has an internal pull down resistor.
5, 6, 7, 12	NC	-	Not connected
8, 9, 10, 11	OUT	O	Output: output to the load; pins 8 to 11 must be externally shorted together <sup>1)</sup>
exposed PAD	V <sub>bb</sub>	-	Supply Voltage: positive power supply for logic and output

1) Not shorting all output pins will considerably increase the on-state resistance, reduce the peak current capability, the clamping capability and decrease the current sense accuracy.





## 4 General Product Characteristics

### 4.1 Absolute Maximum Ratings

Operation outside the parameters listed here may cause permanent damage to the device. Exposure to maximum rating conditions for extended periods may affect device reliability

#### Absolute Maximum Ratings <sup>1)</sup>

$T_j = -40\text{ °C}$  to  $+150\text{ °C}$  (unless otherwise specified)

Pos.	Parameter	Symbol	Limit Values		Unit	Conditions
			Min.	Max.		
<b>Supply Voltage</b>						
4.1.1	Supply voltage	$V_{bb}$	0	42	V	
4.1.2	Reverse polarity voltage	$-V_{bb(\text{rev})}$	0	16	V	$T_j = 25\text{ °C}$ <sup>2)</sup>
4.1.3	Supply voltage for short circuit protection (single pulse)	$V_{\text{bat(SC)}}$	0	28	V	<sup>3)</sup>
4.1.4	Supply Voltage for Load Dump protection	$V_{bb(\text{LD})}$	-	42	V	$R_l = 2\ \Omega$ <sup>4)</sup> , $R_L = 1\ \Omega$ $t_d = 400\text{ ms}$ $T_j = 25\text{ °C}$
<b>Input Pins</b>						
4.1.5	Voltage at IN pin	$V_{\text{IN}}$	-0.3	6	V	-
4.1.6	Current through IN pin	$I_{\text{IN}}$	-2	2	mA	<sup>2)</sup>
4.1.7	Voltage at DEN pin	$V_{\text{DEN}}$	-0.3	6	V	-
4.1.8	Current through DEN pin	$I_{\text{DEN}}$	-2	2	mA	<sup>2)</sup>
<b>Output Pins</b>						
4.1.9	Voltage at sense pin	$V_{\text{IS}}$	-0.3	$V_{\text{ZIS}}$	V	-
4.1.10	Current through sense pin IS	$I_{\text{IS}}$	$-10$ <sup>2)5)</sup>	10	mA	-
<b>Power Stages</b>						
4.1.11	Load current <sup>6)</sup>	$ I_L $	-	$I_{L(\text{SC})}$	A	-
4.1.12	Inductive load switch-off energy (single pulse)	$E_{\text{AS}}$	-	125	mJ	$V_{bb} = 13.5\text{V}$ <sup>7)</sup> , $I_{L(0)} = 50\text{A}$ , $T_{j(0)} \leq 150\text{ °C}$
4.1.13	Inductive load switch-off energy (repetitive pulses)	$E_{\text{AR}}$	-	63	mJ	$V_{bb} = 13.5\text{V}$ <sup>7)8)</sup> , $I_{L(0)} = 20\text{A}$ , $T_{j(0)} \leq 105\text{ °C}$
<b>Temperatures</b>						
4.1.14	Junction temperature	$T_j$	-40	150	°C	-
4.1.15	Dynamic temperature increase while switching	$\Delta T_j$	-	60	K	-
4.1.16	Storage temperature	$T_{\text{stg}}$	-55	150	°C	-
<b>ESD Susceptibility</b>						
4.1.17	ESD susceptibility HBM IN, DEN, IS, $V_{bb}$ , OUT $V_{bb}$ versus OUT	$V_{\text{ESD}}$	-2 -4	2 4	kV	according to EIA/JESD 22-A 114B

1) Not subject to production test, specified by design.

2)  $t \leq 2\text{ min}$


**General Product Characteristics**

- 3) Short circuit is defined as a combination of remaining resistances and inductances. See [Figure 15](#).
- 4)  $V_{bb(LD)}$  is setup without the DUT connected to the generator per ISO 7637-1 and DIN 40839.  $R_1$  is the internal resistance of the Load Dump pulse generator
- 5) Valid at disabled diagnosis.
- 6) Over current threshold switch-off is a protection feature. Protection features are not designed for continuous repetitive operation.
- 7) See also [Chapter 5.5](#).
- 8) Results from simulation of temperature swing. Not subject to production test, specified by design.

*Note: Stresses above the ones listed here may cause permanent damage to the device. Exposure to absolute maximum rating conditions for extended periods may affect device reliability.*

*Note: Integrated protection functions are designed to prevent IC destruction under fault conditions described in the data sheet. Fault conditions are considered as "outside" normal operating range. Protection functions are not designed for continuous repetitive operation.*

## 4.2 Functional Range

Pos.	Parameter	Symbol	Limit Values		Unit	Conditions
			Min.	Max.		
<b>Supply Voltage</b>						
4.2.1	Supply voltage range for normal operation	$V_{bb(nor)}$	9	16	V	-
4.2.2	Extended supply voltage range for operation	$V_{bb(ext)}$	6	28 <sup>1)</sup>	V	2)
4.2.3	Operating current $V_{IN} = 0V, V_{DS} > V_{DS(OL)}$ $V_{IN} = 5V$	$I_{GND}$	-	4 24	mA	$V_{DEN} = 5V,$ $V_{IS} < 5.5V,$ $V_{bb} = V_{bb(nor)}$
4.2.4	Load current range for sense functionality <sup>1)</sup>	$I_{L(IS)}$	1.5	59	A	$I_{IS} - I_{IS(LH)} > 30 \mu A,$ $I_{IS(lim)} > I_{IS},$ $V_{bb} = V_{bb(nor)},$ $V_{IN} = V_{DEN} = 5 V,$ $V_{blS} > 5 V$
4.2.5	Junction temperature	$T_j$	-40	150	°C	-

1) Not subject to production test, specified by design

2) In extended supply voltage range, the device is functional but electrical parameters are not specified.

*Note: Within the functional or operating range, the IC operates as described in the circuit description. The electrical characteristics are specified within the conditions given in the Electrical Characteristics table.*

### 4.3 Thermal Resistance

Pos.	Parameter	Symbol	Limit Values			Unit	Conditions
			Min.	Typ.	Max.		
4.3.1	Junction to case <sup>1)</sup>	$R_{thjc}$	-	-	1.7	K/W	<sup>2)</sup>
4.3.1	Control chip to case <sup>1)</sup>	$R_{thj(cc)c}$	-	40	-	K/W	<sup>3)</sup>
4.3.1	Junction to ambient <sup>1)</sup> device on PCB <sup>4)</sup>	$R_{thja}$	-	27	-	K/W	-

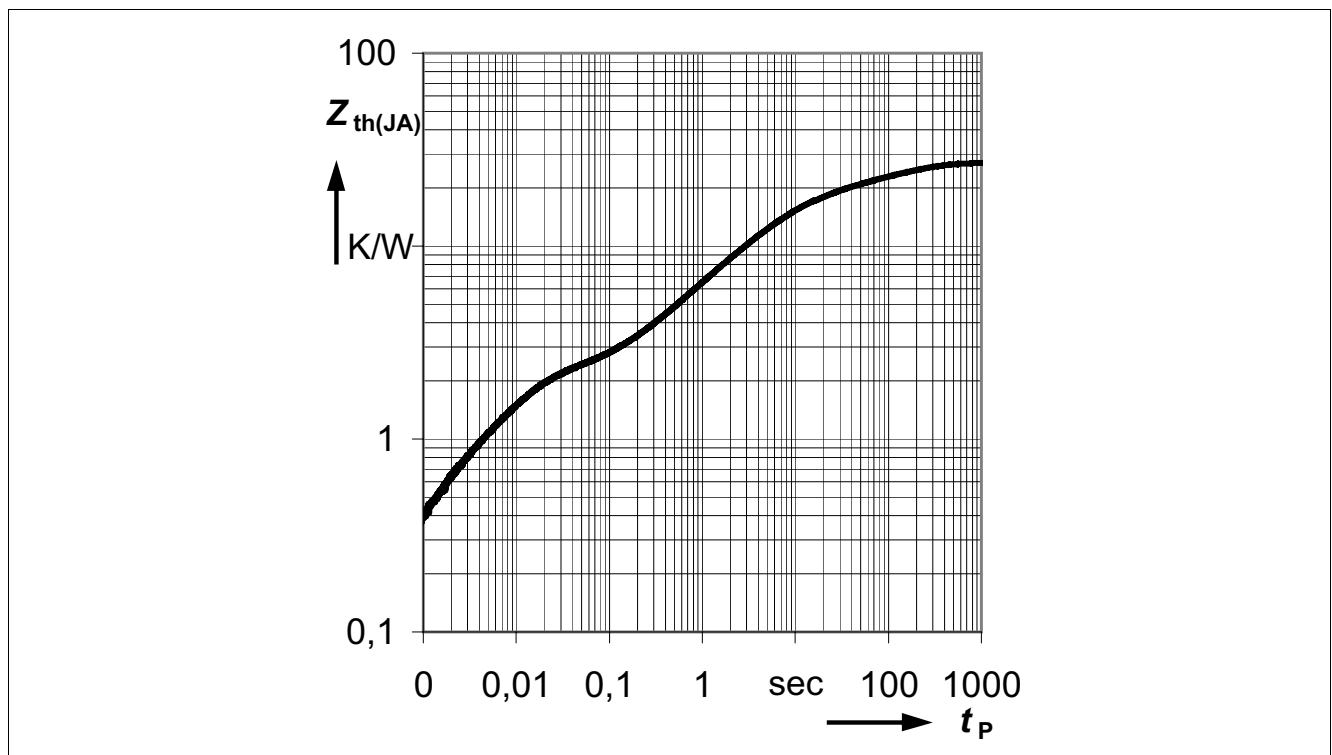
1) Not subject to production test, specified by design

2) Specified  $R_{thjc}$  value is simulated at natural convection on a cold plate setup.  $T_a = 25\text{ °C}$ .

3) Specified  $R_{thj(cc)c}$  value is simulated at natural convection on a cold plate setup.  $T_a = 25\text{ °C}$ ,  $I_L = 0A$ .

4) Specified  $R_{thja}$  value and **Figure 4** are according Jecdec JESD51\_7 at natural convection on FR4 2s2p board. The BTS50080-1EGA was measured on a 76.2 x 114.3 x 1.6 mm board with 2 inner copper layers (2 x 70 $\mu$ m Cu, 2 x 35 $\mu$ m Cu) applying power losses of 1.4W at the channel. According to JESD51-5 a thermal via array under the exposed pad contacted the first inner copper layer.  $T_a = 25\text{ °C}$ .

**Figure 4** shows the typical transient thermal impedance of BTS50080-1EGA.



**Figure 4** Transient Thermal Impedance  $Z_{th(JA)}=f(t_p)$  <sup>4)</sup>

### 4.4 Package

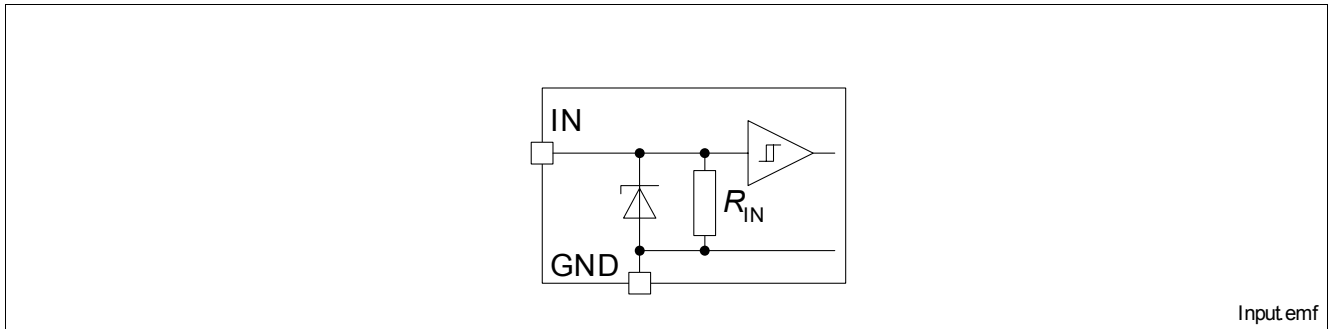
Pos.	Parameter	Value	Test Conditions
4.4.1	Jedec humidity category acc. J-STD-020-D	MSL3	-
4.4.2	Jedec classification temperature acc. J-STD-020-D	260°C	-

## 5 Power Stages

The power stage is built by a N-channel vertical power MOSFET (DMOS) with charge pump.

### 5.1 Input Circuit

**Figure 5** shows the input circuit of the BTS50080-1EGA. The input resistor to ground ensures that the input signal is low in case of open input pin. The zener diode protects the input circuit against ESD pulses.

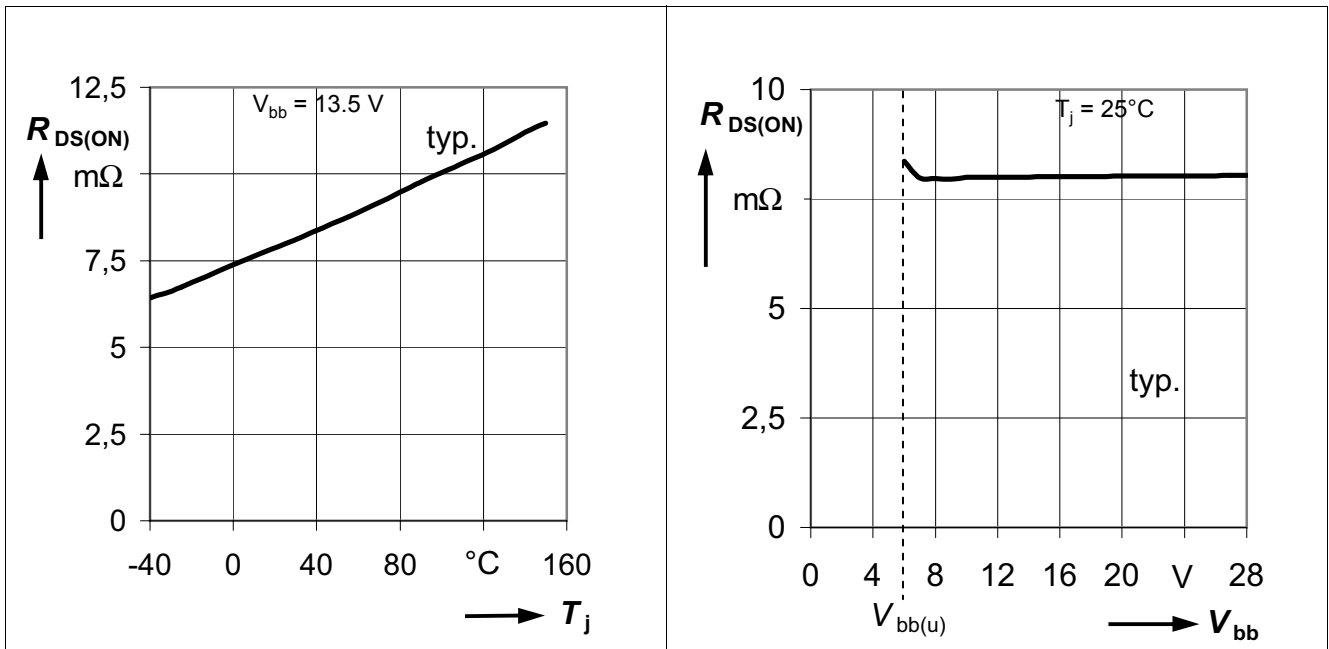


**Figure 5** Input Circuit

A high signal at the input pin causes the DMOS to switch on.

### 5.2 Output On-State Resistance

The on-state resistance  $R_{DS(ON)}$  depends on the supply voltage  $V_{bb}$  and the junction temperature  $T_j$ . **Figure 6** shows these dependencies for the typical on-state resistance. The on-state resistance in reverse polarity mode is described in **Chapter 6.5**.



**Figure 6** Typical On-State Resistance

### 5.3 Output Timing

The power stage is designed for high side configuration (**Figure 9**).

The power stage has a defined switching behavior. Defined slew rates as well as edge shaping support PWM'ing of the load while achieving lowest EMC emission at minimum switching losses.

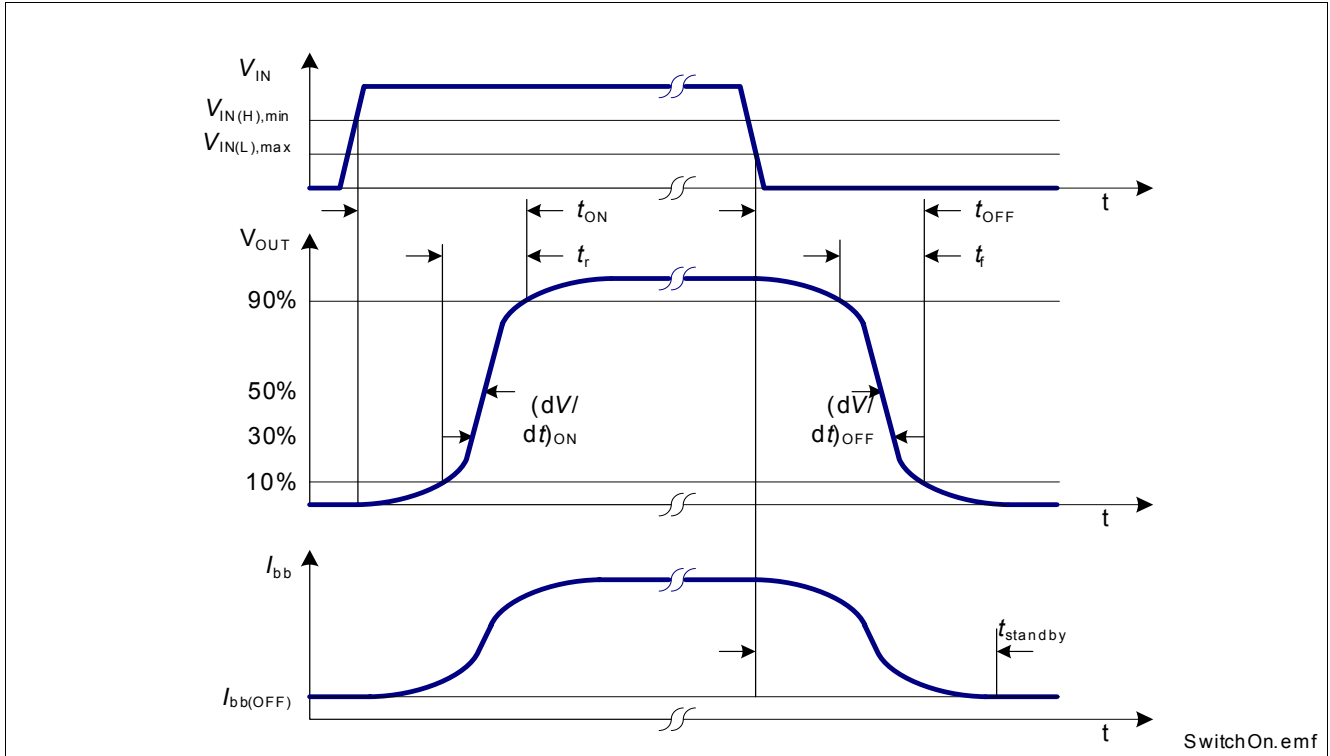


Figure 7 Switching a Load (resistive)

### 5.4 Switching losses for resistive loads

Switching the device on and off may cause switching losses  $E_{ON}$  and  $E_{OFF}$ . In case of a resistive load, the switching losses depend on the supply voltage  $V_{bb}$  as well as on the load current  $I_L$  and the junction temperature  $T_j$ . **Figure 8** shows this dependencies of the switching losses.

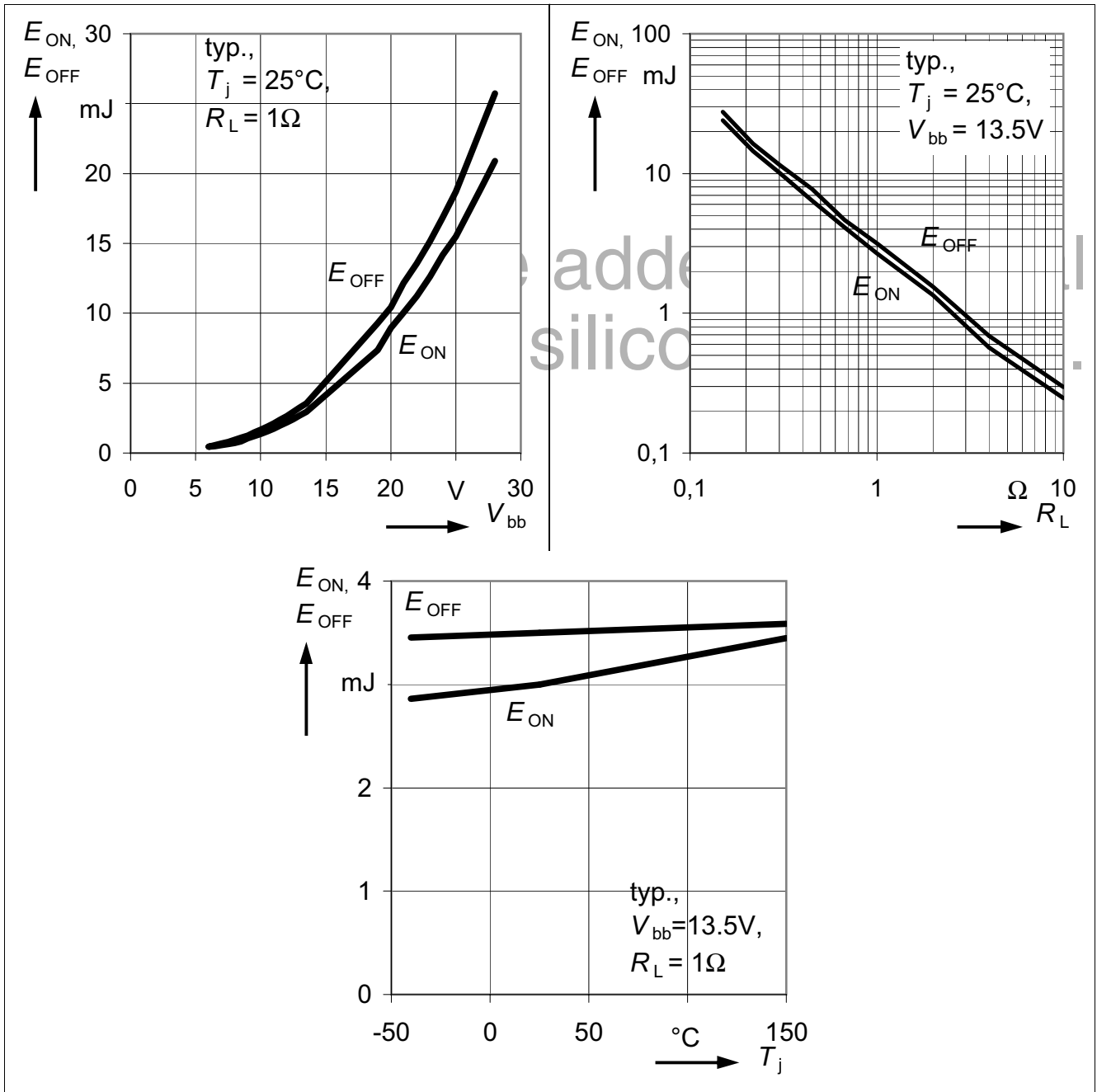


Figure 8 Typical switching losses  $E_{ON}$  and  $E_{OFF}$

### 5.5 Output Inductive Clamp

When switching off inductive loads, the output voltage  $V_{OUT}$  drops below ground potential due to the inductive properties of the load ( $-di_L/dt = -v_L/L$ ;  $-V_{OUT} \cong -V_L$ ).

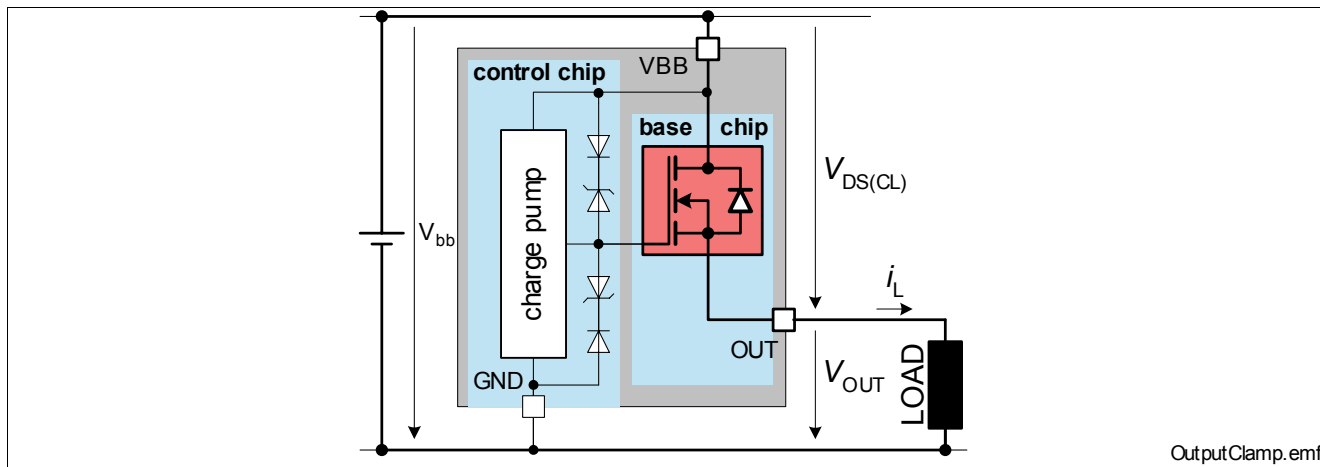


Figure 9 Output Clamp

To prevent destruction of the device, there is a voltage clamp mechanism implemented that keeps the voltage drop across the device at a certain level. At nominal battery voltage the output is clamped to  $V_{OUT(CL)}$ . At over voltages the output is clamped to  $V_{DS(CL)}$ . See Figure 9 and Figure 10 for details. The maximum allowed load inductance is limited.

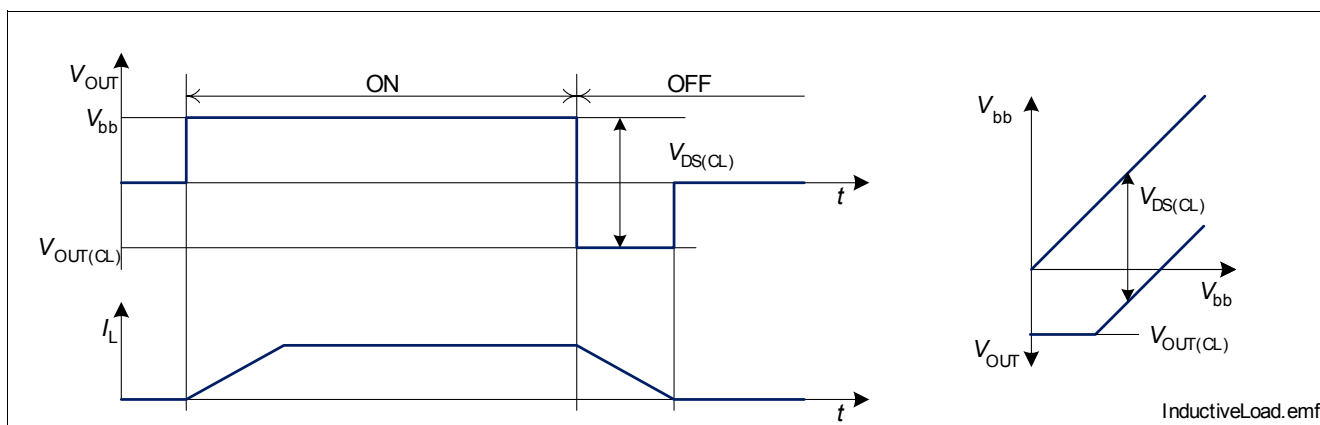


Figure 10 Switching an Inductance

**Maximum Load Inductance**

While de-energizing inductive loads, energy has to be dissipated in the BTS50080-1EGA. This energy can be calculated by the following equation:

$$E = (V_{bb} + |V_{OUT(CL)}|) \cdot \left[ \frac{-|V_{OUT(CL)}|}{R_L} \cdot \ln \left( 1 + \frac{R_L \cdot I_L}{|V_{OUT(CL)}|} \right) + I_L \right] \cdot \frac{L}{R_L}$$

In the event of de-energizing very low ohmic inductances ( $R_L \approx 0$ ) the following, simplified equation can be used:

$$E = \frac{1}{2} L I_L^2 \cdot \frac{|V_{DS(CL)}|}{|V_{DS(CL)}| - V_{bb}}$$

The energy, which is converted into heat, is limited by the thermal design of the component. See Figure 11 for the maximum allowed energy dissipation.

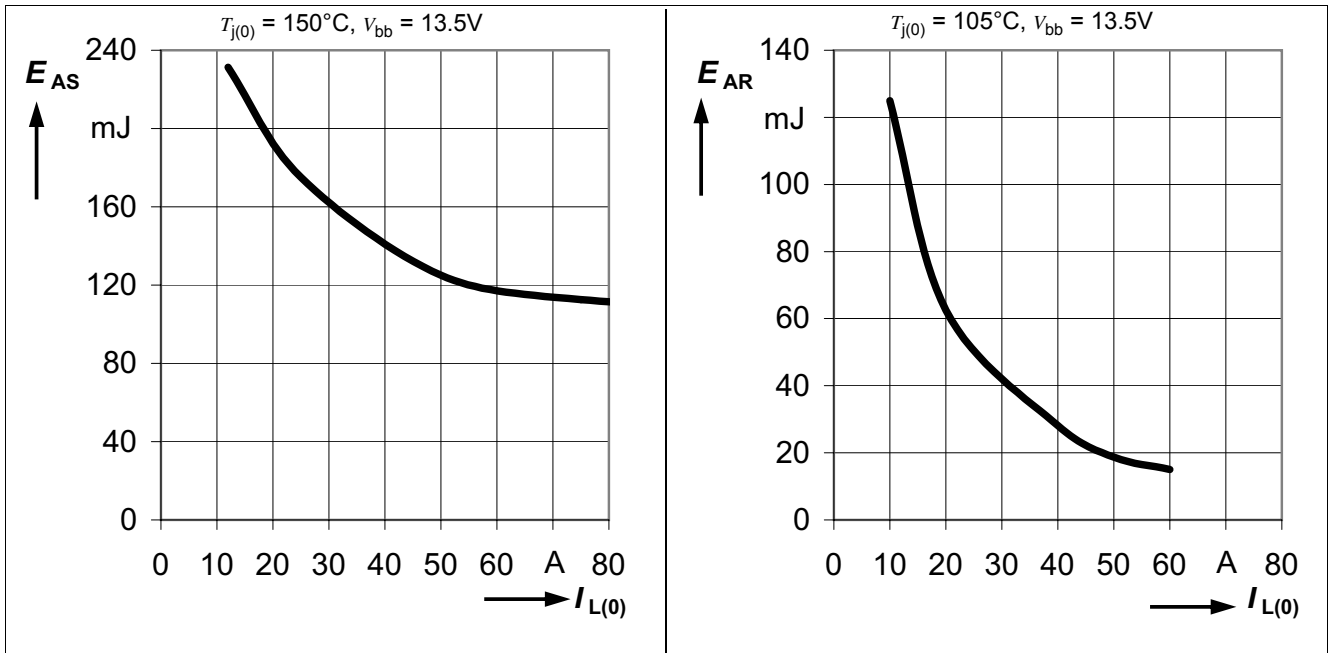


Figure 11 Maximum energy dissipation<sup>1) 2)</sup>

Note: Clamping overrides all protection functionalities. In order to avoid device destruction resulting from inductive switch-off or over voltage the device has to be operated within the maximum ratings.

### 5.6 Inverse Operation Capability

The BTS50080-1EGA can be operated in inverse load current condition ( $+V_{OUT} > +V_{bb}$ ). The device can not block the current flow during inverse mode.

In ON condition a voltage drop across the activated channel of  $-V_{ON(inv)} = R_{ON(inv)} \cdot (-I_L)$  can be observed.

In OFF condition a voltage drop across the intrinsic body diode of  $-V_{OFF(inv)} = f(-I_L)$  can be observed.

As long as the inverse current does not exceed  $|-I_L| \leq |-I_{L(inv)}|$  the logic will operate and report according **Table 1** and the BTS50080-1EGA will be able to remain in ON mode.

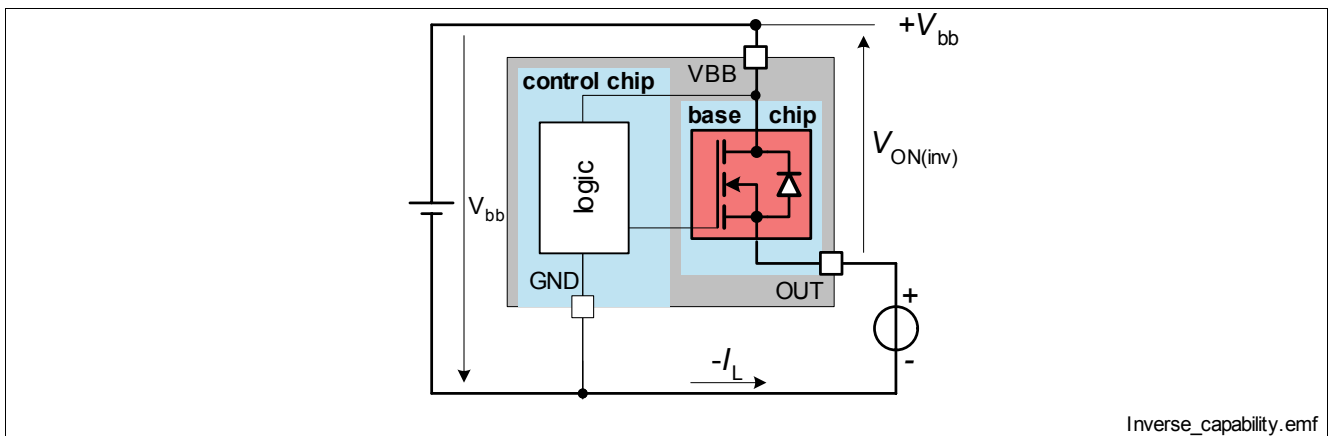


Figure 12 Inverse current capability

1) Not subject to production test, specified by design.  
2) Results for  $E_{AR}$  from simulation of temperature swing.

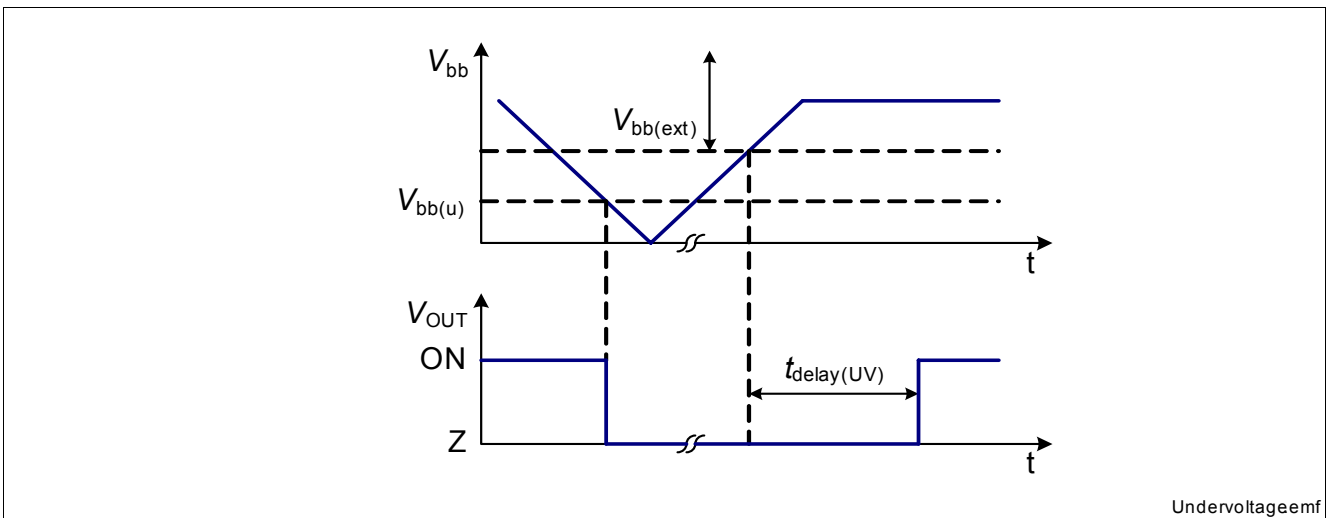




Note: Activation of any protection mechanism will not block the current flow. Over temperature detection and current sense is not functional during inverse mode.

### 5.7 Undervoltage shutdown + restart

The BTS50080-1EGA is supplied by  $V_{bb}$ . The internal logic permanently monitors the supply voltage  $V_{bb}$ . In the event that the supply voltage drops below the under voltage shutdown threshold  $V_{bb(u)}$ , the BTS50080-1EGA will switch off. If the supply voltage reaches nominal operating voltage range  $V_{bb(ext)}$ , the BTS50080-1EGA will switch on after a delay  $t_{delay(UV)}$ , assuming  $V_{IN}$ =High. Protective latch is reset by undervoltage shutdown.



Undervoltageemf

Figure 13 Undervoltage shutdown and restart



## 5.8 Electrical Characteristics: Power Stages

Note: Characteristics show the deviation of parameters at the given supply voltage and junction temperature.

Typical values show the typical parameters expected from manufacturing.

$V_{bb} = 9\text{ V to }16\text{ V}$ ,  $T_j = -40\text{ °C to }+150\text{ °C}$  (unless otherwise specified)

typical values:  $V_{bb} = 13.5\text{ V}$ ,  $T_j = 25\text{ °C}$

Pos.	Parameter	Symbol	Limit Values			Unit	Conditions
			Min.	Typ.	Max.		
<b>General</b>							
5.8.1	Stand-by current $T_j = -40\text{ °C}$ , $T_j = 25\text{ °C}$ $T_j \leq 85\text{ °C}$ <sup>1)</sup> $T_j = 150\text{ °C}$	$I_{bb(OFF)}$	-	6	10	$\mu\text{A}$	<sup>2)</sup> , $ V_{IN}  =  V_{DEN}  \leq 0.3\text{V}^3)$ , $V_{OUT} = V_{IS} = 0\text{V}$ , $t > t_{standby}$ , no fault condition
5.8.2	Stand-by time <sup>1) 2)</sup>	$t_{standby}$	-	0.5	1	ms	$ V_{IN}  =  V_{DEN}  \leq 0.3\text{V}$ , $V_{OUT} = V_{IS} = 0\text{V}$
5.8.3	Undervoltage shutdown <sup>1)</sup>	$V_{bb(u)}$	-	5.7	6	V	-
5.8.4	Undervoltage recovery time <sup>1)</sup>	$t_{delay(UV)}$	-	10	-	ms	-
<b>Input characteristics</b>							
5.8.5	L-input level	$V_{IN(L)}$	-0.3	-	1.0	V	-
5.8.6	H-input level	$V_{IN(H)}$	2.0	-	5.5	V	-
5.8.7	input hysteresis	$V_{IN(hys)}$	-	100	-	mV	<sup>1)</sup>
5.8.8	input pull down resistor	$R_{IN}$	50	100	200	k $\Omega$	-
<b>Output characteristics</b>							
5.8.9	On-state resistance $T_j = 25\text{ °C}$ $T_j = 150\text{ °C}$ $V_{bb} = 6\text{V}$ , $T_j = 25\text{ °C}$ $V_{bb} = 6\text{V}$ , $T_j = 150\text{ °C}$	$R_{DS(ON)}$	-	8	-	m $\Omega$	$V_{IN} = 5\text{V}$ , $I_L = 20\text{A}$
			-	11.5	16		
			-	10.5	-		
			-	13.5	27		
5.8.10	Nominal load current <sup>1)4)</sup>	$I_{L(nom)}$	-	13	-	A	$T_A = 85\text{ °C}$ $T_j \leq 150\text{ °C}$
5.8.11	Output leakage current	$I_{L(OFF)}$	-	3	100	$\mu\text{A}$	$V_{IN} = V_{DEN} = 0\text{V}$ , $V_{OUT} = 0\text{V}$
5.8.12	Output clamp during switch-off	$-V_{OUT(CL)}$	16	18	20	V	$V_{OUT} \geq V_{bb} - V_{DS(CL)}$ <sup>5)</sup> , $I_L = 40\text{ mA}$
			16	20	25	V	$V_{OUT} \geq V_{bb} - V_{DS(CL)}$ <sup>5)</sup> , $I_L = 20\text{ A}$ <sup>1)</sup>
5.8.13	Output clamp during over voltage	$V_{DS(CL)}$	42	50	-	V	$V_{DS} \leq V_{bb} - V_{OUT(CL)}$ <sup>5)</sup> , $I_L = 40\text{ mA}$
			42	51	-	V	$V_{DS} \leq V_{bb} - V_{OUT(CL)}$ <sup>5)</sup> , $I_L = 20\text{ A}$ <sup>1)</sup>
5.8.14	Switch-On energy $5 \rightarrow 95\% V_{OUT}$	$E_{ON}$	-	3	5	mJ	$V_{bb} = 13.5\text{ V}$ ,
5.8.15	Switch-Off energy $95 \rightarrow 5\% V_{OUT}$	$E_{OFF}$	-	3.5	5	mJ	$R_L = 1\text{ }\Omega$
5.8.16	Inverse operation on-state resistance $T_j = 25\text{ °C}$ $T_j = 150\text{ °C}$	$R_{ON(inv)}$	-	8	-	m $\Omega$	$V_{IN} = 5\text{ V}$ , $I_L = -20\text{ A}$ , no protective switch-off
			-	11.5	16		


 $V_{bb} = 9\text{ V to }16\text{ V}$ ,  $T_j = -40\text{ °C to }+150\text{ °C}$  (unless otherwise specified)

 typical values:  $V_{bb} = 13.5\text{ V}$ ,  $T_j = 25\text{ °C}$ 

Pos.	Parameter	Symbol	Limit Values			Unit	Conditions
			Min.	Typ.	Max.		
5.8.17	Inverse operation output voltage drop $T_j=25\text{ °C}$ $T_j=150\text{ °C}$	$-V_{\text{OFF(inv)}}$	-	700	900	mV	$V_{\text{IN}}=0\text{ V}$ , $I_L = -10\text{ A}$
5.8.18	Inverse current capability <sup>1)</sup>	$-I_{\text{L(inv)}}$	20	-	-	A	-

**Timings**

5.8.19	Turn-on time to 90% $V_{\text{OUT}}$	$t_{\text{ON}}$	-	250	500	$\mu\text{s}$	$V_{bb} = 13.5\text{ V}$ $R_L = 1\ \Omega$
5.8.20	Turn-off time to 10% $V_{\text{OUT}}$	$t_{\text{OFF}}$	-	250	500	$\mu\text{s}$	$V_{bb} = 13.5\text{ V}$ $R_L = 1\ \Omega$
5.8.21	Slew rate On 30% $\rightarrow$ 50% $V_{\text{OUT}}$	$(dV/dt)_{\text{ON}}$	0.07	0.12	0.21	V/ $\mu\text{s}$	$V_{bb} = 13.5\text{ V}$ $R_L = 1\ \Omega$
5.8.22	Slew rate Off 50% $\rightarrow$ 30% $V_{\text{OUT}}$ $T_j = -40\text{ °C}$ , $T_j = 25\text{ °C}$ $T_j \leq 85\text{ °C}$ <sup>1)</sup> $T_j = 150\text{ °C}$	$-(dV/dt)_{\text{OFF}}$	0.07	0.12	0.23	V/ $\mu\text{s}$	$V_{bb} = 13.5\text{ V}$ $R_L = 1\ \Omega$
			0.07	0.12	0.215		
			0.07	0.12	0.21		

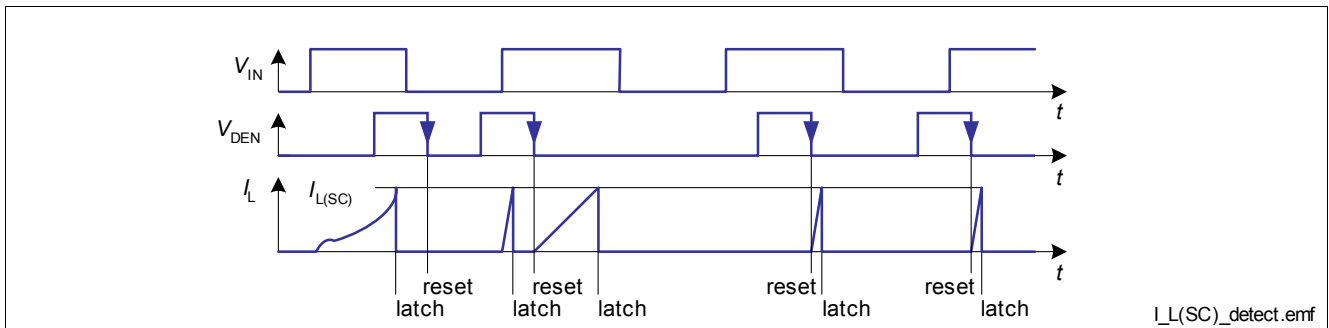
- 1) Not subject to production test, specified by design
- 2) In case of protective switch-off STANDBY is only reached if the fault was acknowledged while IN=LOW by DEN=HIGH  $\rightarrow$  LOW and  $t_{\text{standby}}$  expired. See also [Chapter 6.4](#) for details.
- 3) Tested at  $V_{\text{IN}}=V_{\text{DEN}}=0\text{ V}$  only
- 4) according JESD51\_7, FR4 2s2p board, 76.2 x 114.3 x 1.6 mm, 2x70 $\mu\text{m}$  Cu, 2x35 $\mu\text{m}$  Cu.
- 5) See [Figure 10](#).

## 6 Protection Functions

The BTS50080-1EGA provides embedded protective functions. Integrated protection functions are designed to prevent IC destruction under fault conditions described in the data sheet. Fault conditions are considered as “outside” normal operating range. Protection functions are neither designed for continuous nor repetitive operation.

### 6.1 Short Circuit Protection

The internal logic permanently monitors the load current  $I_L$ . In the event the load current exceeds the short circuit shutdown threshold ( $I_L > I_{L(SC)}$ ), the device will switch off immediately. Any protective switch off latches the output. Please refer to [Figure 14](#) for details. The protective switch off remains latched until the fault is acknowledged and reset by a falling edge at the DEN pin. See also [Chapter 6.4](#).



**Figure 14 Shutdown by short circuit current detection**

Before switching on, the device is measuring the battery voltage  $V_{bb(0)}$ . In case  $V_{bb(0)}$  is above  $V_{bb(SCT)}$ , the short circuit current threshold  $I_{L(SC)high}$  is reduced to a lower level  $I_{L(SC)low}$ .

*Note: In case of a short circuit between OUT and ground, a impedance between  $V_{bat}$  and  $V_{bb}$  pin of the device (see [Figure 15](#)) may cause the device’s supply voltage to drop below  $V_{bb(u)}$  before short circuit shutdown threshold is reached. In that case, the device will detect an undervoltage condition and behave as described in [Chapter 5.7](#).*

### 6.2 Short Circuit Impedance

The capability to handle single short circuit events depends on the battery voltage as well as on the primary and secondary short impedance. [Figure 15](#) outlines allowable combinations for a single short circuit event of maximum, secondary inductance for given secondary resistance.

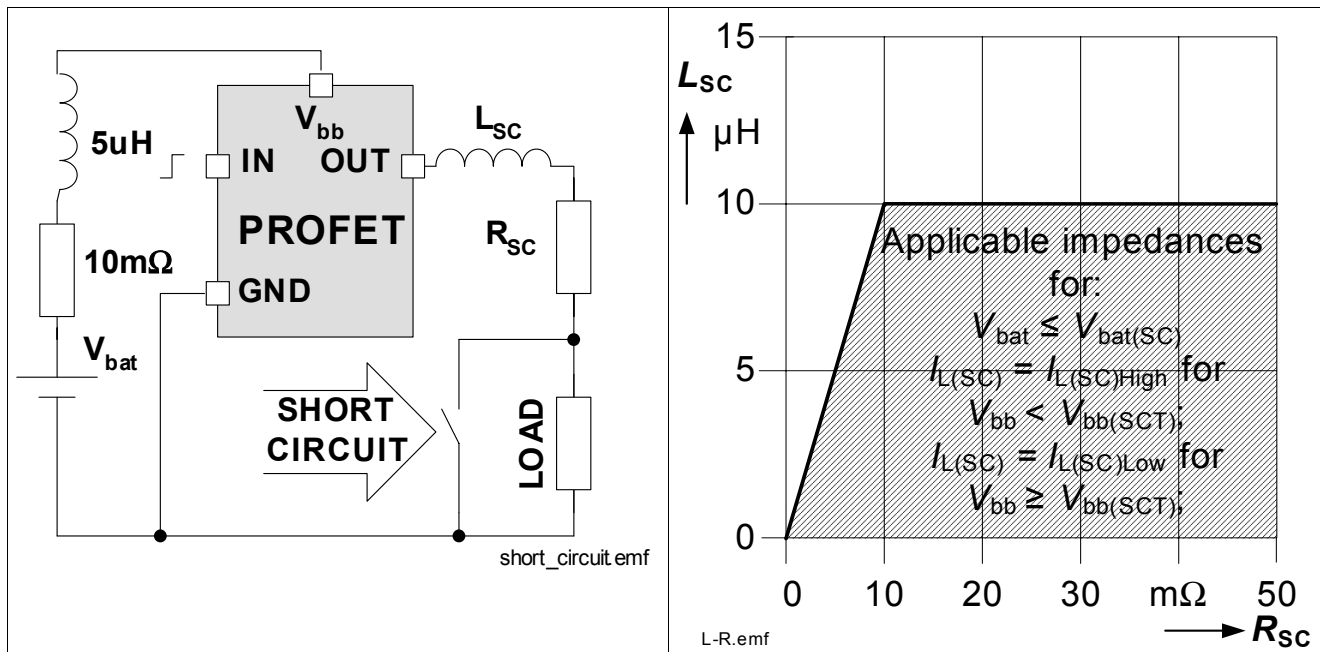


Figure 15 Short circuit

### 6.3 Over Temperature Protection

The internal logic permanently monitors the junction temperature of the output stage. In the event of an over temperature ( $T_j > T_{jt}$ ) the output will switch off immediately. Please refer to **Figure 16** for details. The protective switch off remains latched until the fault is acknowledged and reset by a falling edge at the DEN pin. See also **Chapter 6.4**.

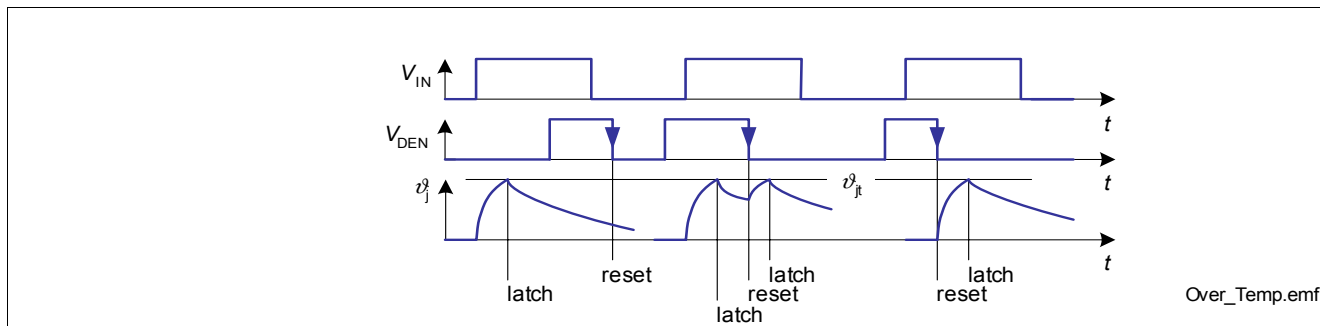
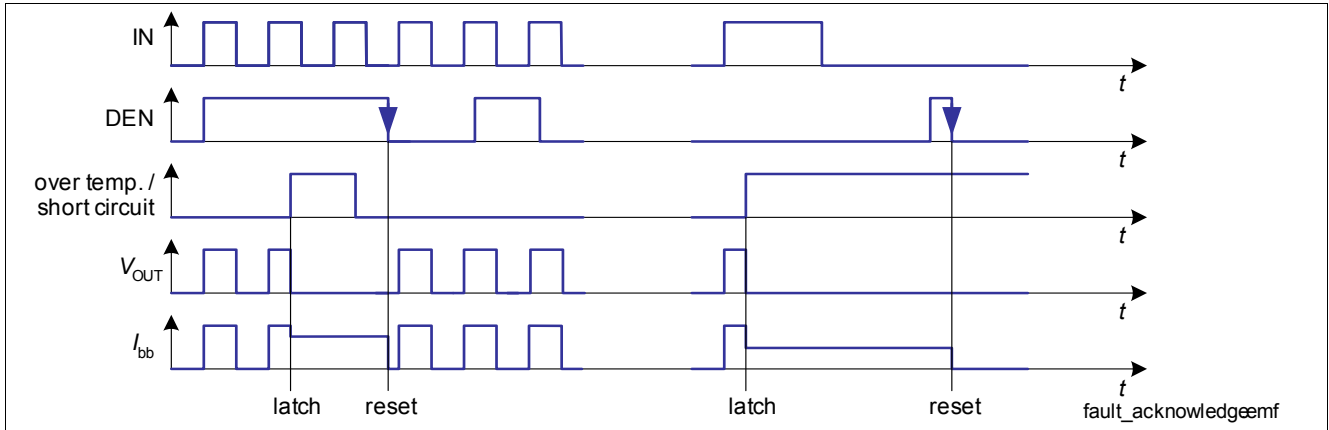


Figure 16 Over temperature detection

### 6.4 Infineon® INTELLIGENT LATCH - fault acknowledge and latch reset

The BTS50080-1EGA provides Infineon® INTELLIGENT LATCH to avoid permanent resetting of a protective, latched switch off in PWM applications. To reset a latched protective switch off the fault has to be acknowledged by a falling edge at the DEN pin. For a reset signal it's recommended to set the DEN signal to HIGH for 20μs before setting DEN to LOW for 20μs.

Please refer to **Figure** for details.



Infineon® INTELLIGENT LATCH - fault acknowledge and latch reset

### 6.5 Reverse Polarity Protection - Reversave™

The device can not block a current flow in reverse battery condition. In order to minimize power dissipation, the device offers Reversave™ functionality. Under reverse polarity condition, the output stage will be switched on, provided a sufficient gate to source voltage is generated  $V_{GS} \approx V_{GND\_bb}$ . Please refer to [Figure 17](#) for details.

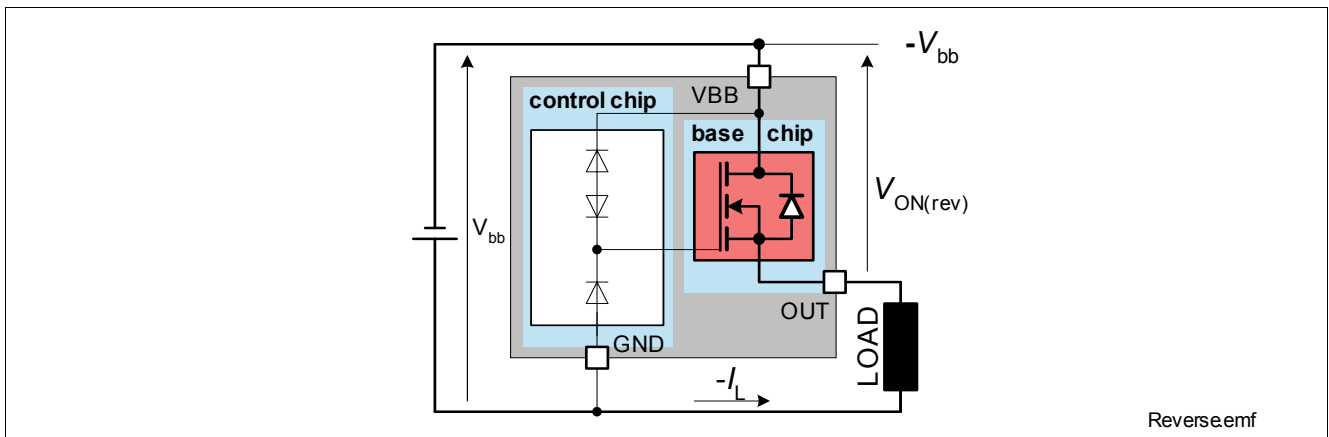


Figure 17 Reverse battery protection

Use the following formula for estimation of overall power dissipation  $P_{diss(rev)}$  in reverse polarity mode.

$$P_{diss(rev)} \approx R_{ON(rev)} \cdot I_L^2$$

*Note: No protection mechanism is active during reverse polarity. The control chip is not functional. Potentials of logic pins can become negative. Affected pins have to be protected by means of series resistors.*

### 6.6 ESD Protection

All logic pins have ESD protection. Beside the output clamp for the power stage as described in Section 5.5 there is a clamp mechanism implemented for pin IS. See Figure 18 for details.

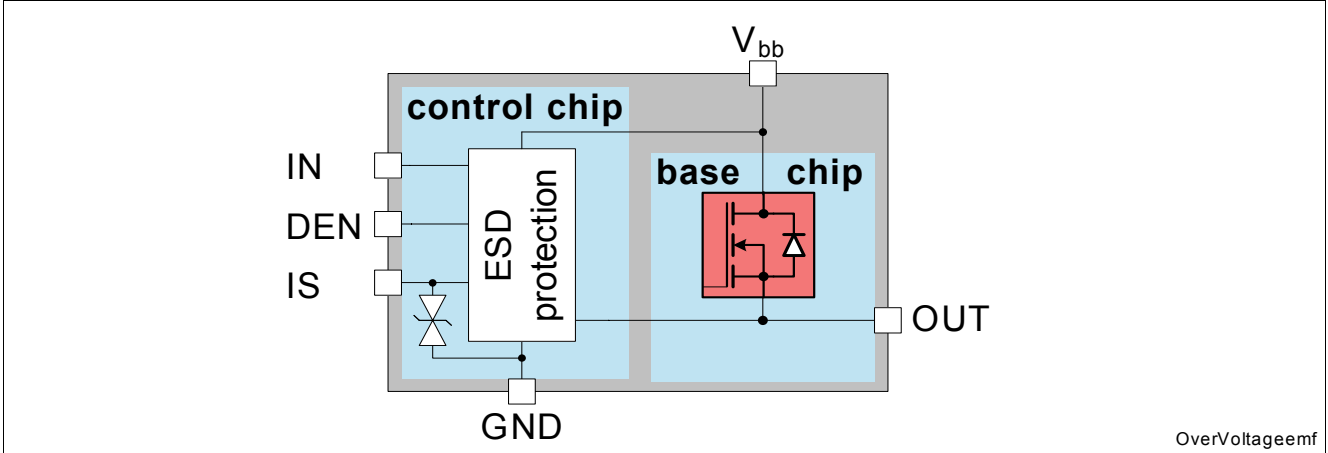


Figure 18 Over-Voltage Protection

### 6.7 Loss of Ground Protection

In case of complete loss of the device ground connections the BTS50080-1EGA securely changes to or remains in OFF state, if the sense resistor  $R_{IS}$  is higher than  $500\Omega$ .

### 6.8 Loss of Load Protection, Loss of $V_{bb}$ Protection

In case of loss of load with charged primary inductances the maximum supply voltage has to be limited. It is recommended to use a Z-diode, a varistor ( $V_{Za} < 42\text{ V}$ ) or  $V_{bb}$  clamping power switches with connected loads in parallel.

In case of loss of  $V_{bb}$  connection with charged inductive loads, a current path with load current capability has to be provided, to demagnetize the charged inductances. It is recommended to use a diode, a Z-diode or a varistor ( $V_{Zb} < 16\text{ V}$ ,  $V_{ZL} + V_D < 16\text{ V}$ , ).

For higher clamp voltages currents through all pins have to be limited according to the maximum ratings. Please refer to Figure 19 for details.

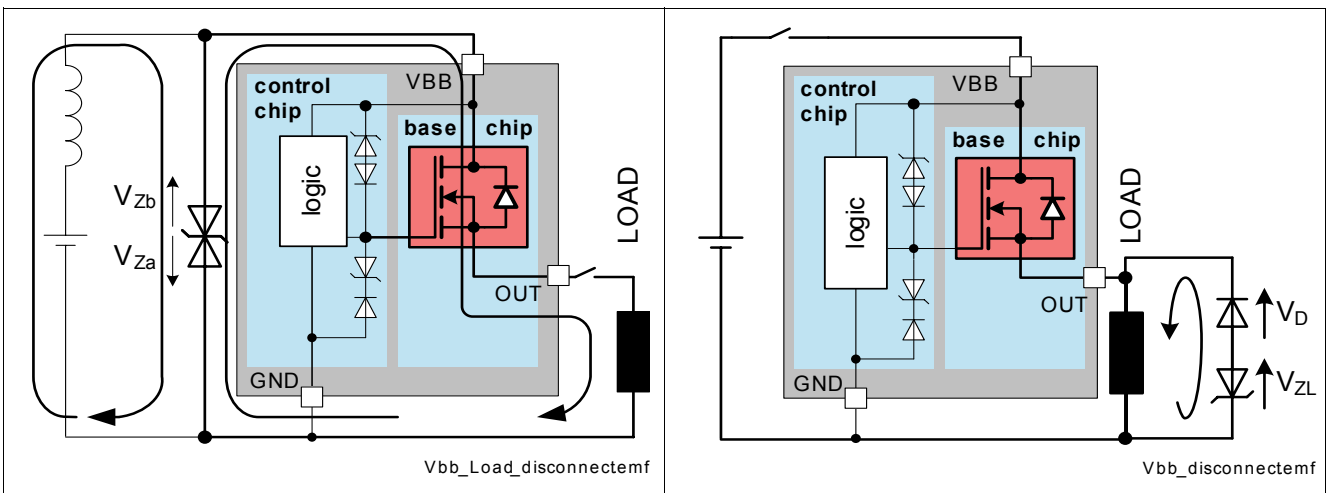


Figure 19 Loss of  $V_{bb}$

In case of complete loss of  $V_{bb}$  the BTS50080-1EGA remains in OFF state.



## 6.9 Electrical Characteristics: Protection Functions

Note: Characteristics show the deviation of parameters at the given supply voltage and junction temperature.

Typical values show the typical parameters expected from manufacturing

$V_{bb} = 9\text{ V to }16\text{ V}$ ,  $T_j = -40\text{ °C to }+150\text{ °C}$  (unless otherwise specified)

typical values:  $V_{bb} = 13.5\text{ V}$ ,  $T_j = 25\text{ °C}$

Pos.	Parameter	Symbol	Limit Values			Unit	Conditions
			Min.	Typ.	Max.		
<b>Over-Load Protection</b>							
6.9.1	Short circuit shutdown threshold (SCT)	$I_{L(SC)high}$	80	150	200	A	$V_{IN} = 5\text{ V}$ $V_{bb(0)} < V_{bb(SCT)}$
6.9.1	Short circuit shutdown threshold at high battery voltages	$I_{L(SC)low}$	42	70	95	A	$V_{IN} = 5\text{ V}$ $V_{bb(0)} > V_{bb(SCT)}$
6.9.2	Supply voltage for reduced short circuit shutdown threshold <sup>1)</sup>	$V_{bb(SCT)}$	20	22	25	V	
6.9.3	Thermal shut down temperature	$T_{jt}$	150	170 <sub>1)</sub>	-	°C	-

### Reverse Battery

6.9.4	On-State resistance in case of reverse polarity $V_{bb} = -8\text{ V}$ , $T_j = 150\text{ °C}$ <sup>1)</sup> $V_{bb} = -12\text{ V}$ , $T_j = 150\text{ °C}$	$R_{ON(rev)}$	-	12	20	mΩ	$I_L = -10\text{ A}$ , $R_{IS} = 1\text{ k}\Omega$
			-	16	27		

### Over-Voltage

6.9.5	Over-voltage protection Sense pin	$V_{IS(CL)}$	5.5	7	-	V	$I_{IS} = -2\text{ mA}$
-------	-----------------------------------	--------------	-----	---	---	---	-------------------------

1) Not subject to production test, specified by design





## 7 Diagnostic Functions

For diagnosis purposes, the BTS50080-1EGA provides an Infineon® ENHANCED SENSE signal at the pin IS.

### 7.1 Diagnosis Enable

In ON-State, diagnosis is always enabled. Providing a low signal at the DEN pin will disable the reporting. In OFF-state, both, reporting and diagnosis can be disabled by a low signal at DEN pin. The pin IS will be set to tri-state mode when a low signal is provided at the DEN pin. A high signal at the DEN pin enables the reporting and the open load and short to battery diagnosis during OFF mode. A falling edge at the DEN resets a preceding latched output and reporting condition. Please see [Figure 20](#) and [Table 1](#) for details.

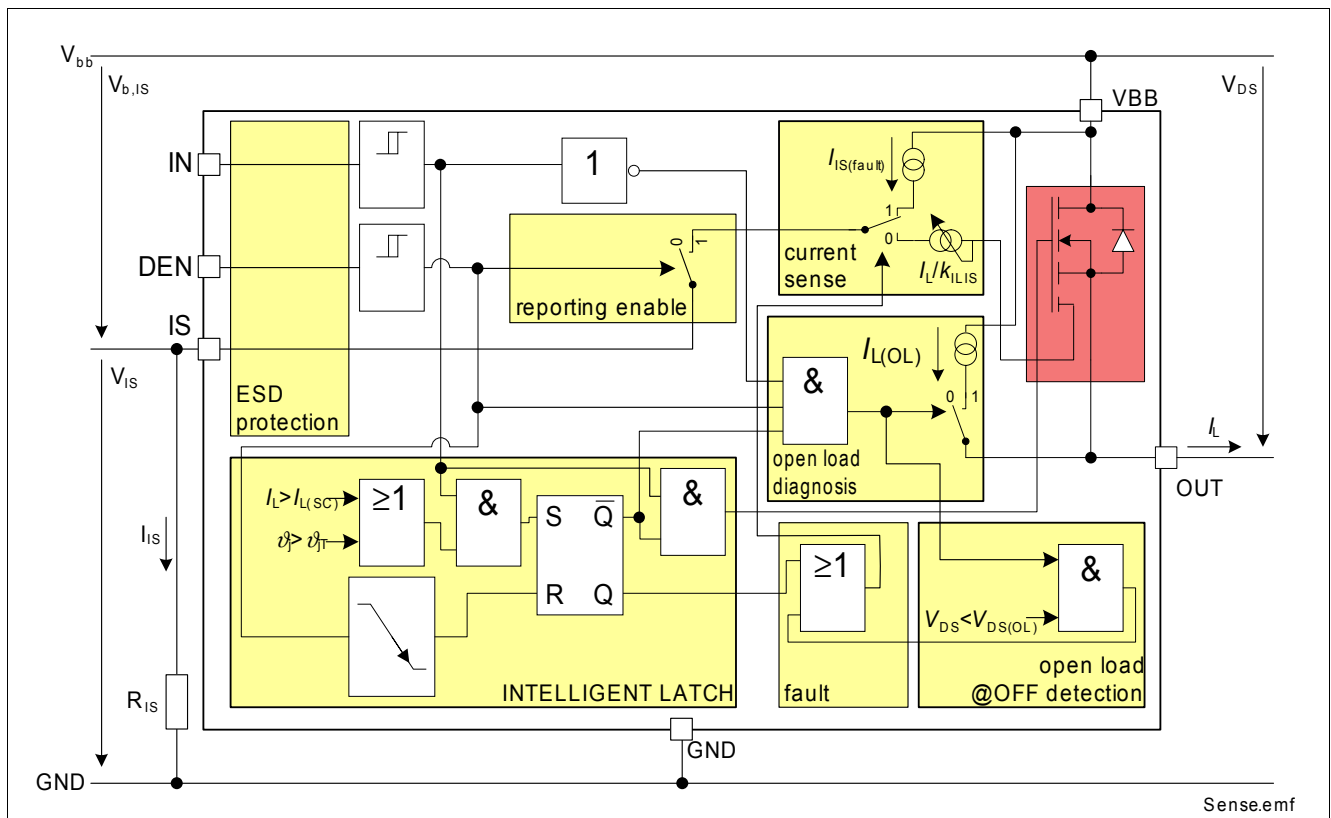


Figure 20 Block Diagram: Diagnosis


**Table 1 Truth Table**

Operation Mode	Input (IN) Level	Output Level	Diagnostic Output (IS)	
			DEN = H	DEN = L
Normal Operation (ON)	H	$\sim V_{bb}$	$I_{IS} = I_L / k_{ILIS}$	Z
Inverse Operation ( $-I_L$ )		$> V_{bb}$	Z	
Short Circuit to GND		Z	$I_{IS(fault)}$	
Over Temperature		Z	$I_{IS(fault)}$	
Short Circuit to $V_{bb}$		$V_{bb}$	$I_{IS} < I_L / k_{ILIS}$	
Open Load		$\sim V_{bb}$	Z	
Protective switch-off resulting from Short Circuit to GND or Over Temperature <sup>1)</sup>	X	Z	$I_{IS(fault)}$	Z
Normal Operation (OFF)	L	Z	Z	Z
Inverse Operation ( $-I_L$ )		$> V_{bb}$	$I_{IS(fault)}$	
Short Circuit to GND		Z	$I_{IS(fault)}^{2)}$ , $Z^{3)}$	
Over Temperature				
Short Circuit to $V_{bb}$		$> V_{bb} - V_{DS(OL)}$ $< V_{bb} - V_{DS(OL)}$	$I_{IS(fault)}$ Z	
Open Load		$> V_{bb} - V_{DS(OL)}$ $< V_{bb} - V_{DS(OL)}$	$I_{IS(fault)}$ Z	

L = Low Level, H = High Level, Z = high impedance, only leakage provided, potential depends on external circuit

- 1) Output and fault reporting remains latched until falling DEN edge acknowledge.
- 2) Before fault acknowledgement and latch reset.
- 3) After fault acknowledgement and latch reset.

## 7.2 Diagnosis during ON

During normal operation, an enabled IS pin provides a sense current, which is proportional to the load current as long as  $V_{b,IS} > 5V$  and as long as  $I_{IS} * R_{IS} < V_{Z,IS}$ . The ratio of the output current is defined as  $k_{ILIS} = I_L / I_{IS}$ . During switch-on sense current is provided after a sense settling time  $t_{sIS(ON)}$ . During inverse operation and switch-off no current is provided.

The output sense current is limited to  $I_{IS,lim}$ . Please refer to [Figure 21](#) for details.

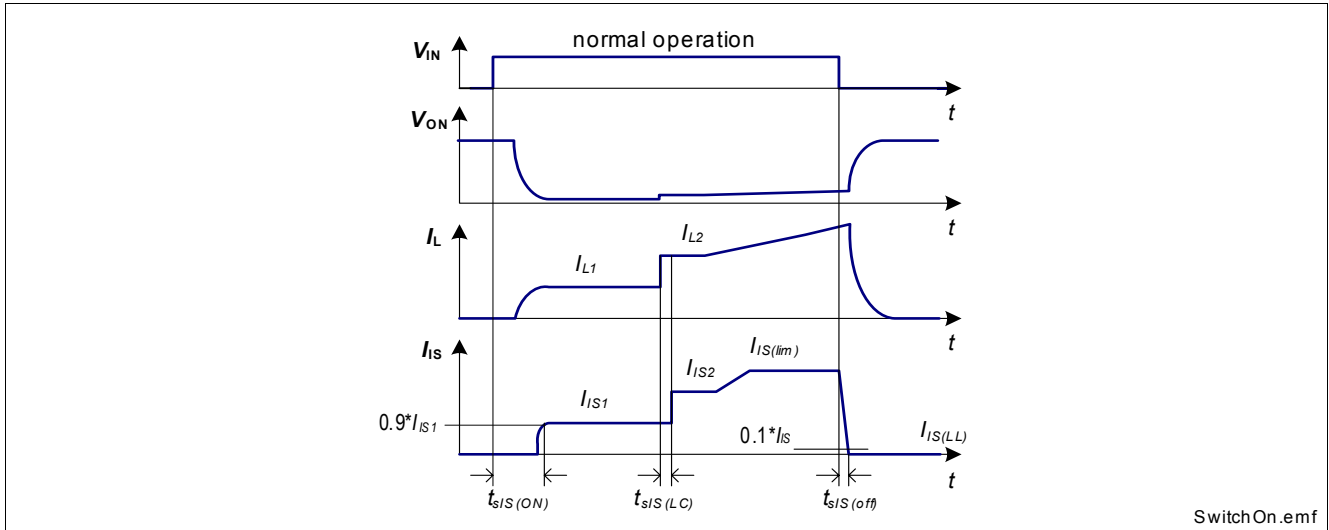


Figure 21 Timing of Diagnosis Signal in ON-state

The accuracy of the provided current sense ratio ( $k_{ILIS} = I_L / I_{IS}$ ) depends on the load current. Please refer to [Figure 22](#) for details. A typical resistor  $R_{IS}$  of 1 kΩ is recommended (see also [Chapter 6.7](#)).

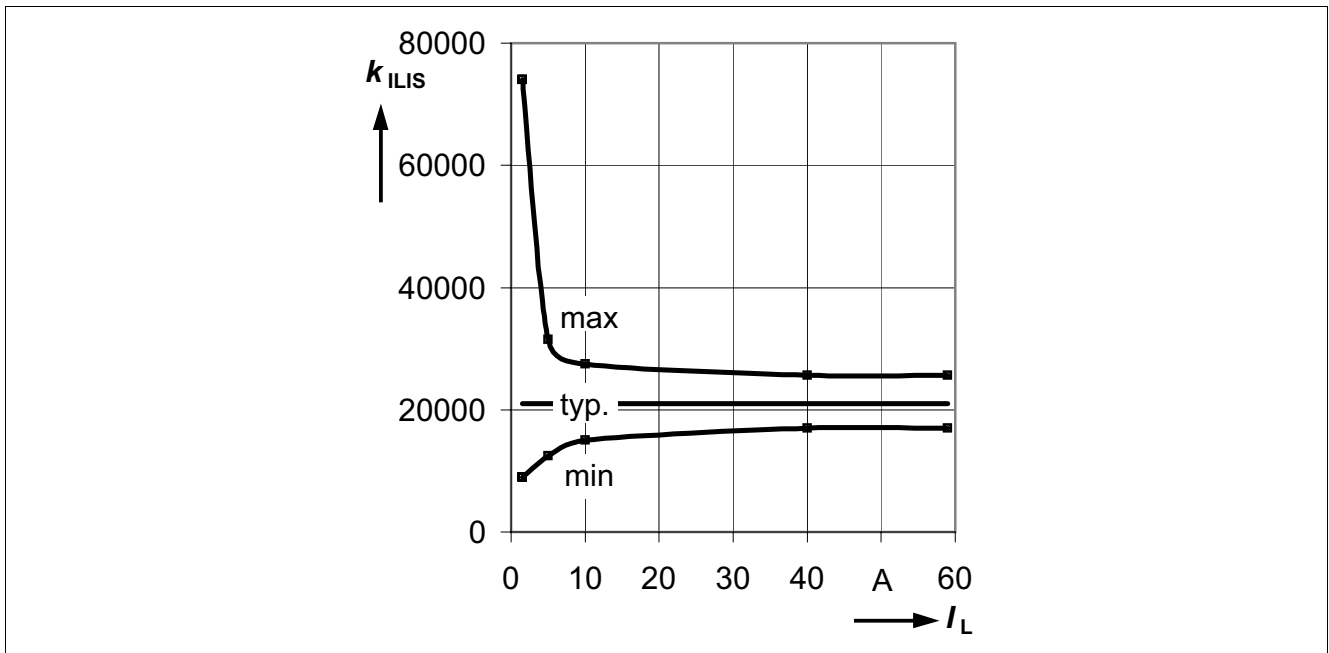


Figure 22 Current sense ratio  $k_{ILIS}$ <sup>1)</sup>

The diagnosis signal can be switched off by a low signal at the diagnosis enable pin DEN. See [Figure 23](#) for details on the timing between the DEN pin and the diagnosis signal  $I_{IS}$ . Please note that the diagnosis is disabled, when no signal is provided at the pin DEN.

1) The curves show the behavior based on characterization data. The marked points are described in this Datasheet in [Section 7.5](#) (Position [7.5.5](#)).

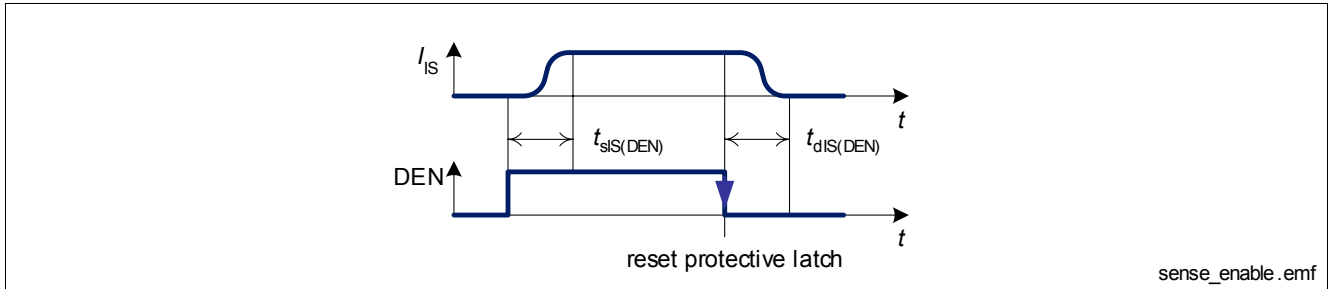


Figure 23 Timing of Sense Enable Signal

During fault condition an enabled IS pin provides a defined fault current  $I_{IS(fault)}$ . Fault conditions are over-current, over-temperature and short circuit switch-off. Any protective switch-off during on-state causes a latched OFF of the output and reporting, until being reset by a falling edge at the pin DEN. See Figure 24 for details.

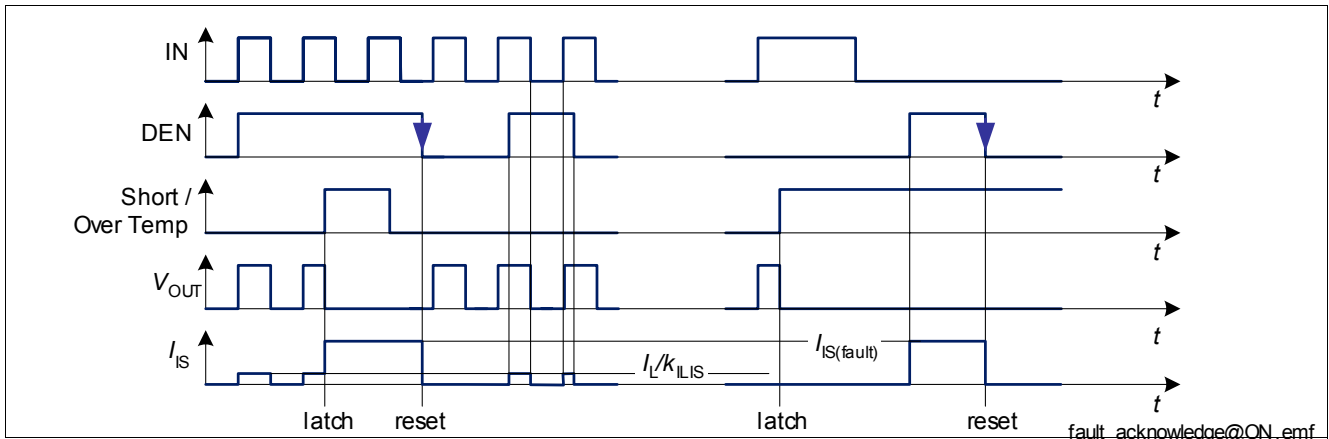


Figure 24 Fault acknowledge and latch reset

### 7.3 Diagnosis during OFF

During normal operation a disabled IS pin provides no current.

In case of shorted load to battery, open load or inverse operation an enabled IS pin provides a defined fault current  $I_{IS(fault)}$ . See Figure 25 for details.

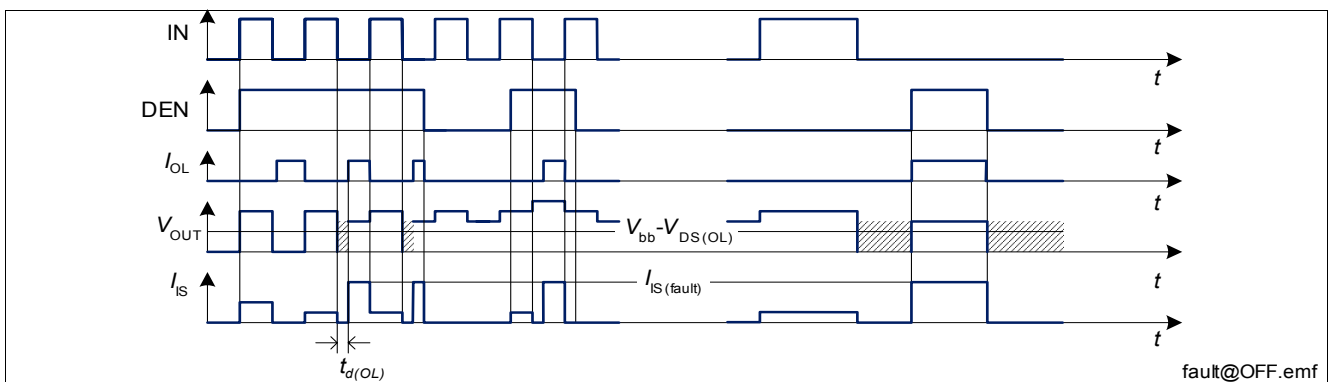


Figure 25 Fault reporting



## **7.4 Diagnosis Disable**

In order to achieve minimum standby current, the IN pin and the DEN pin have to be low level. A possible preceding fault condition and reporting has to be reset by a falling edge at the pin DEN. See also [Chapter 6.4](#) for details.



## 7.5 Electrical Characteristics: Diagnostic Functions

Note: Characteristics show the deviation of parameters at the given supply voltage and junction temperature.

Typical values show the typical parameters expected from manufacturing.

$V_{bb} = 9\text{ V to }16\text{ V}$ ,  $T_j = -40\text{ °C to }+150\text{ °C}$  (unless otherwise specified)

typical values:  $V_{bb} = 13.5\text{ V}$ ,  $T_j = 25\text{ °C}$

Pos.	Parameter	Symbol	Limit Values			Unit	Conditions
			Min.	Typ.	Max.		
<b>Input characteristics for Diagnosis Enable</b>							
7.5.1	L-input level	$V_{DEN(L)}$	-0.3	-	1.0	V	–
7.5.2	H-input level	$V_{DEN(H)}$	2.0	-	5.5	V	–
7.5.3	input hysteresis	$V_{DEN(hys)}$	–	100	-	mV	<sup>1)</sup>
7.5.4	input pull down resistor	$R_{DEN}$	50	100	200	k $\Omega$	–
<b>Load Current Sense</b>							
7.5.5	Current sense ratio, static on-condition $I_L=40\text{A}$ $I_L=10\text{A}$ $I_L=5\text{A}$ $I_L=1.5\text{A}$ $V_{IN} = 0$ (e.g. during de energizing of inductive loads)	$k_{ILIS}$	-	21	-	k	$V_{IN} = V_{DEN} = 5\text{ V}$ , $I_{IS} < I_{IS(lim)}$ , $V_{IS} < V_{Z,IS}$ , $V_{b,IS} > 5\text{ V}$
			17	21	25.6		
			15	21	27.5		
			12.5	21	31.5		
			9	21	74		
			disabled			–	–
7.5.6	Sense saturation current <sup>1)</sup>	$I_{IS(lim)}$	3.5	6	10	mA	$V_{DEN} = 5\text{ V}$ , $V_{ON} < 400\text{ mV}$ , typ. $V_{b,IS} > 5\text{ V}$
7.5.7	Sense current under fault conditions	$I_{IS(fault)}$	3.5	6	10	mA	$V_{DEN} = 5\text{ V}$ , $V_{b,IS} > 5\text{ V}$ , $V_{ON} > 400\text{ mV}$ , typ. or $V_{OFF} < V_{DS(OL)}$
7.5.8	Current sense leakage current	$I_{IS(LL)}$	–	0.1	0.5	$\mu\text{A}$	$V_{IN}=V_{DEN}=0\text{V}$
7.5.9	Current sense offset current $T_j = -40\text{ °C}$ , $T_j = 25\text{ °C}$ $T_j = 150\text{ °C}$	$I_{IS(LH)}$	–	8	30	$\mu\text{A}$	$V_{IN}=V_{DEN}=5\text{V}$ , $I_L \leq 0\text{A}$
			–	18	60		
7.5.10	Current sense leakage, while diagnosis disabled	$I_{IS(dis)}$	–	1	2	$\mu\text{A}$	$V_{IN} = 5\text{V}$ , $V_{DEN} = 0\text{V}$
7.5.11	Current sense settling time to 90% $I_{IS\_stat.}$ <sup>1)</sup>	$t_{sIS(ON)}$	–	350	700	$\mu\text{s}$	$V_{IN} = 0 \rightarrow 5\text{V}$ (switch-on), $V_{DEN} = 5\text{ V}$ , $R_L = 0.5\ \Omega$
7.5.12	Current sense settling time to 10% $I_{IS\_stat.}$ <sup>1)</sup>	$t_{sIS(OFF)}$	–	8	30	$\mu\text{s}$	$V_{IN} = 5 \rightarrow 0\text{V}$ (switch-off), $V_{DEN} = 5\text{ V}$ , $R_L = 0.5\ \Omega$
7.5.13	Current sense settling time to 90% $I_{IS\_stat.}$ <sup>1)</sup>	$t_{sIS(LC)}$	–	15	50	$\mu\text{s}$	$V_{IN}=V_{DEN}=5\text{V}$ , $I_L = 10 \rightarrow 20\text{A}$
7.5.14	Current sense settling time to 90% $I_{IS\_stat.}$ <sup>1)</sup>	$t_{sIS(DEN)}$	–	8	30	$\mu\text{s}$	$V_{IN} = 5\text{V}$ , OUT=ON, $V_{DEN} = 0 \rightarrow 5\text{V}$


 $V_{bb} = 9\text{ V to }16\text{ V}$ ,  $T_j = -40\text{ °C to }+150\text{ °C}$  (unless otherwise specified)

 typical values:  $V_{bb} = 13.5\text{ V}$ ,  $T_j = 25\text{ °C}$ 

Pos.	Parameter	Symbol	Limit Values			Unit	Conditions
			Min.	Typ.	Max.		
7.5.15	Current sense deactivation time to 10% $I_{IS\_stat.}$ <sup>1)</sup>	$t_{dIS(DEN)}$	–	2	20	μs	$V_{IN} = 5\text{V}$ , $V_{DEN} = 5\text{ to }0\text{V}$
<b>Open Load at OFF state</b>							
7.5.16	Open load output current	$I_{L(OL)}$	3	5	10	mA	$V_{IN} = 0\text{V}$ , $V_{DEN} = 5\text{V}$ , $V_{DS} = 2\text{V}$
7.5.17	Open load detection threshold voltage	$V_{DS(OL)}$	2	2.8	3.5	V	$V_{IN} = 0\text{V}$ , $V_{DEN} = 5\text{V}$
7.5.18	Open load blanking after negative input slope <sup>1)</sup>	$t_{d(OL)}$	–	0.3	1	ms	$V_{IN} = 5\text{ to }0\text{ V}$ , $V_{DEN} = 5\text{V}$ , $V_{bb} = 13.5\text{V}$ ,

1) Not subject to production test, specified by design

## 8 Application schematic

Figure 26 shows an example for an application schematic.

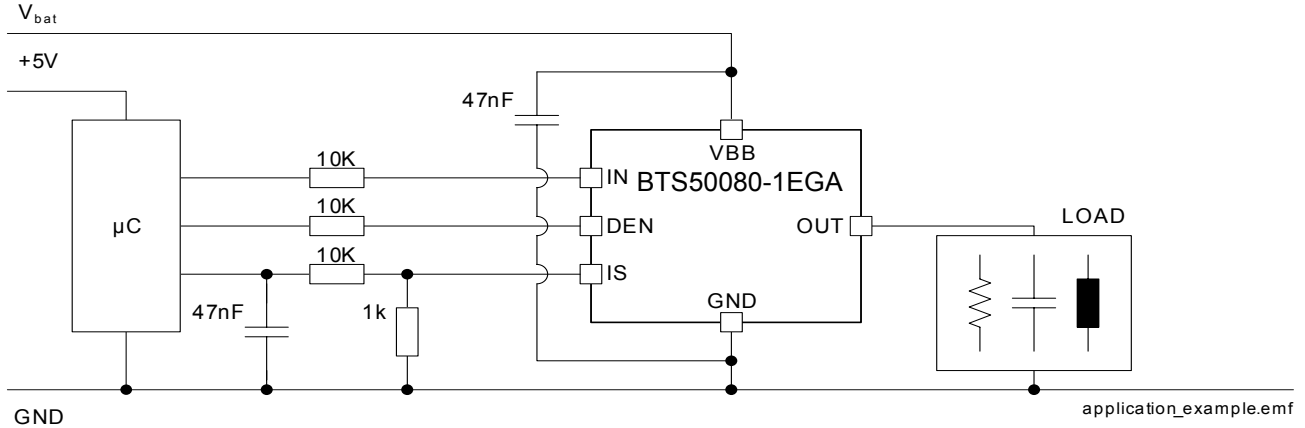


Figure 26 application example

Note: This is a simplified example of an application circuit. The function must be verified in the real application.

### 8.1 Hints for PCB layout

- Handling of NC pins: It is recommended to connect all NC pins on a defined potential. E.g. pin 7 and pin 12 could be connected to OUT potential, while pin 5 and 6 could be connected to OUT or DEN.
- EMC filter cap between Vbb and GND: It is recommended to place the filter cap as close as possible to the device to minimize the inductance of the loop.
- The resistors connecting µC and IN-pin as well as µC and DEN-pin are recommended to protect the µC inputs against fast electrical transients.
- Ground shift: It is recommended to avoid a ground shift between µC ground and device pin GND of more than 0.3V during normal operation.

### 8.2 Further Application Information

- Please contact us to get the Pin FMEA
- Please contact us to get a test report on short circuit robustness according to AEC Q100-012
- Please contact us for Application Note "Diagnosis with BTS500x0-1EGA"
- For further information you may contact <http://www.infineon.com/>





9 Package Outlines

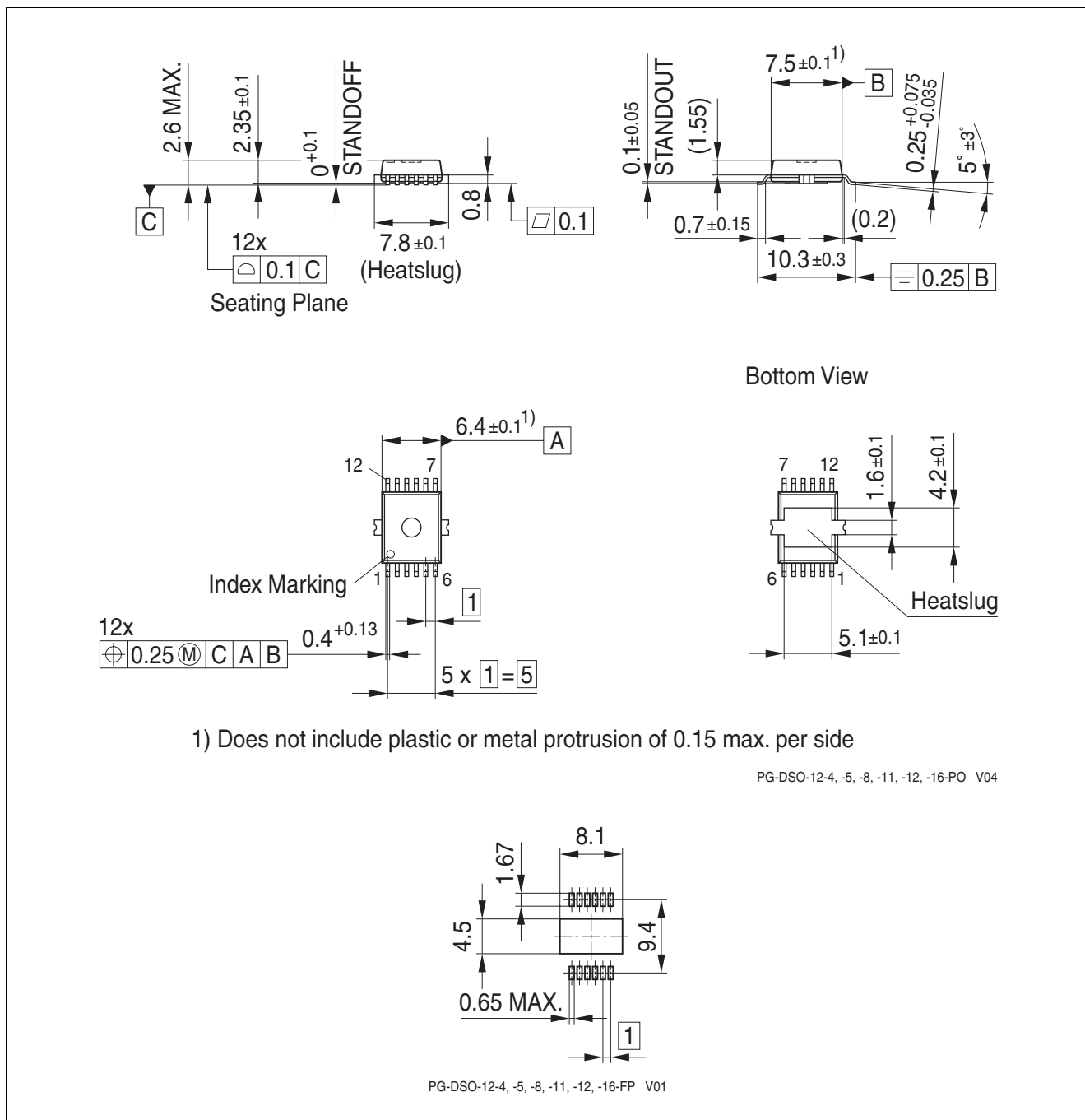


Figure 27 PG-DSO-12-16 (Plastic Dual Small Outline Package)

Green Product (RoHS compliant)

To meet the world-wide customer requirements for environmentally friendly products and to be compliant with government regulations the device is available as a green product. Green products are RoHS-Compliant (i.e Pb-free finish on leads and suitable for Pb-free soldering according to IPC/JEDEC J-STD-020).

You can find all of our packages, sorts of packing and others in our Infineon Internet Page "Products": <http://www.infineon.com/products>.

Dimensions in mm



## 10 Revision History

**BTS50080-1EGA****Revision History: V1.0, 2009-04-06**

<b>Version</b>	<b>Date</b>	<b>Changes</b>
Datasheet Rev. 1.0	2009-04-06	Initial version of datasheet.

**Edition 2009-04-06**

**Published by  
Infineon Technologies AG  
81726 Munich, Germany**

**© 2009 Infineon Technologies AG  
All Rights Reserved.**

### **Legal Disclaimer**

The information given in this document shall in no event be regarded as a guarantee of conditions or characteristics. With respect to any examples or hints given herein, any typical values stated herein and/or any information regarding the application of the device, Infineon Technologies hereby disclaims any and all warranties and liabilities of any kind, including without limitation, warranties of non-infringement of intellectual property rights of any third party.

### **Information**

For further information on technology, delivery terms and conditions and prices, please contact the nearest Infineon Technologies Office ([www.infineon.com](http://www.infineon.com)).

### **Warnings**

Due to technical requirements, components may contain dangerous substances. For information on the types in question, please contact the nearest Infineon Technologies Office.

Infineon Technologies components may be used in life-support devices or systems only with the express written approval of Infineon Technologies, if a failure of such components can reasonably be expected to cause the failure of that life-support device or system or to affect the safety or effectiveness of that device or system. Life support devices or systems are intended to be implanted in the human body or to support and/or maintain and sustain and/or protect human life. If they fail, it is reasonable to assume that the health of the user or other persons may be endangered.

## OUR CERTIFICATE

DiGi provide top-quality products and perfect service for customer worldwide through standardization, technological innovation and continuous improvement. DiGi through third-party certification, we stricly control the quality of products and services. Welcome your RFQ to

Email: [Info@DiGi-Electronics.com](mailto:Info@DiGi-Electronics.com)



Tel: +00 852-30501935

RFQ Email: [Info@DiGi-Electronics.com](mailto:Info@DiGi-Electronics.com)

DiGi is a global authorized distributor of electronic components.