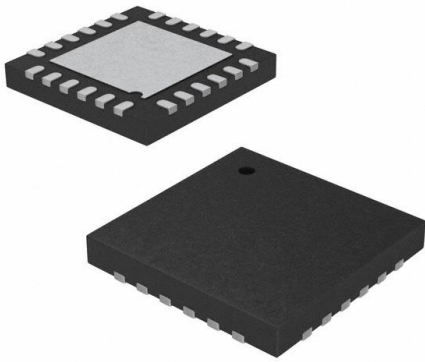


CY8C20334-12LQXI Datasheet

www.digi-electronics.com



<https://www.DiGi-Electronics.com>

| | |
|------------------------------|--|
| DiGi Electronics Part Number | CY8C20334-12LQXI-DG |
| Manufacturer | Infineon Technologies |
| Manufacturer Product Number | CY8C20334-12LQXI |
| Description | IC MCU 8BIT 8KB FLASH 24SQFN |
| Detailed Description | M8C PSOC*1 CY8C20xxx Microcontroller IC 8-Bit 12M Hz 8KB (8K x 8) FLASH 24-QFN (4x4) |

This model CY8C20334-12LQXI is available at DiGi Electronics.

DiGi Electronics offers a global database of semiconductor and electronic component datasheets.

We welcome your inquiries regarding pricing, lead time, or other product-related questions.

 [Request a Quote](#)

 [Datasheet Search](#)



Tel: +00 852-30501935

RFQ Email: Info@DiGi-Electronics.com

DiGi is a global authorized distributor of electronic components.

Purchase and inquiry

Manufacturer Product Number:

CY8C20334-12LQXI

Series:

PSOC®1 CY8C20xxx

DiGi-Electronics Programmable:

Not Verified

Core Size:

8-Bit

Connectivity:

I2C, SPI

Number of I/O:

20

Program Memory Type:

FLASH

RAM Size:

512 x 8

Data Converters:

-

Operating Temperature:

-40°C ~ 85°C (TA)

Package / Case:

24-UFQFN Exposed Pad

Base Product Number:

CY8C20334

Manufacturer:

Infineon Technologies

Product Status:

Obsolete

Core Processor:

M8C

Speed:

12MHz

Peripherals:

LVD, POR, WDT

Program Memory Size:

8KB (8K x 8)

EEPROM Size:

-

Voltage - Supply (Vcc/Vdd):

2.4V ~ 5.25V

Oscillator Type:

Internal

Mounting Type:

Surface Mount

Supplier Device Package:

24-QFN (4x4)

Environmental & Export classification

RoHS Status:

ROHS3 Compliant

REACH Status:

REACH Unaffected

HTSUS:

8542.31.0001

Moisture Sensitivity Level (MSL):

3 (168 Hours)

ECCN:

EAR99



Please note that Cypress is an Infineon Technologies Company.

The document following this cover page is marked as “Cypress” document as this is the company that originally developed the product. Please note that Infineon will continue to offer the product to new and existing customers as part of the Infineon product portfolio.

Continuity of document content

The fact that Infineon offers the following product as part of the Infineon product portfolio does not lead to any changes to this document. Future revisions will occur when appropriate, and any changes will be set out on the document history page.

Continuity of ordering part numbers

Infineon continues to support existing part numbers. Please continue to use the ordering part numbers listed in the datasheet for ordering.



CY8C20134/CY8C20234/CY8C20334
CY8C20434/CY8C20534/CY8C20634

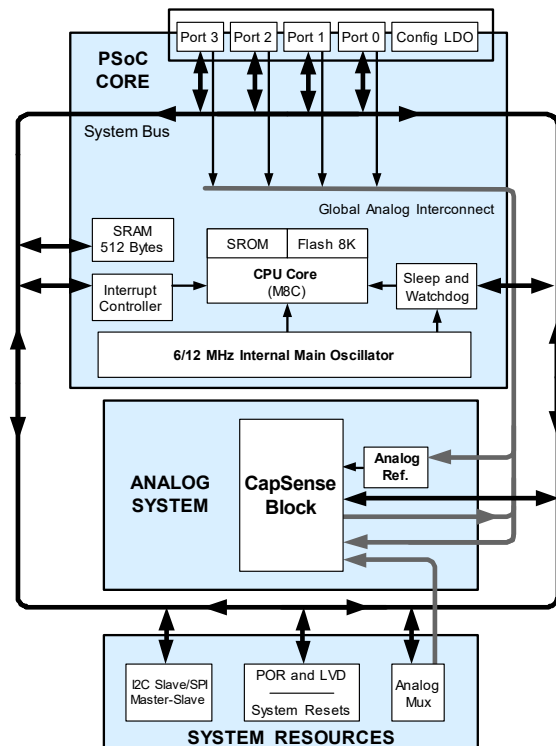
PSoC[®] Programmable System-on-Chip[™]

Features

- Low power CapSense[®] block
 - Configurable capacitive sensing elements
 - Supports combination of CapSense buttons, sliders, touchpads, and proximity sensors
- Powerful Harvard-architecture processor
 - M8C processor speeds running up to 12 MHz
 - Low power at high speed
 - Operating voltage: 2.4 V to 5.25 V
 - Industrial temperature range: -40 °C to +85 °C
- Flexible on-chip memory
 - 8 KB flash program storage 50,000 erase/write cycles
 - 512-Bytes SRAM data storage
 - Partial flash updates
 - Flexible protection modes
 - Interrupt controller
 - In-system serial programming (ISSP)
- Complete development tools
 - Free development tool (PSoC Designer[™])
 - Full-featured, in-circuit emulator, and programmer
 - Full-speed emulation
 - Complex breakpoint structure
 - 128 KB trace memory
- Precision, programmable clocking
 - Internal ±5.0% 6- / 12-MHz main oscillator
 - Internal low speed oscillator at 32 kHz for watchdog and sleep
- Programmable pin configurations
 - Pull-up, high Z, open-drain, and CMOS drive modes on all GPIOs
 - Up to 28 analog inputs on all GPIOs
 - Configurable inputs on all GPIOs
 - 20-mA sink current on all GPIOs
 - Selectable, regulated digital I/O on port 1
 - 3.0 V, 20 mA total port 1 source current
 - 5 mA strong drive mode on port 1 versatile analog mux
 - Common internal analog bus
 - Simultaneous connection of I/O combinations
 - Comparator noise immunity
 - Low-dropout voltage regulator for the analog array

- Additional system resources
 - Configurable communication speeds
 - I²C: selectable to 50 kHz, 100 kHz, or 400 kHz
 - SPI: configurable between 46.9 kHz and 3 MHz
 - I²C slave
 - SPI master and SPI slave
 - Watchdog and sleep timers
 - Internal voltage reference
 - Integrated supervisory circuit

Logic Block Diagram





More Information

Cypress provides a wealth of data at www.cypress.com to help you to select the right PSoC device for your design, and to help you to quickly and effectively integrate the device into your design. For a comprehensive list of resources, see the knowledge base article [KBA92181, Resources Available for CapSense® Controllers](#). Following is an abbreviated list for CapSense devices:

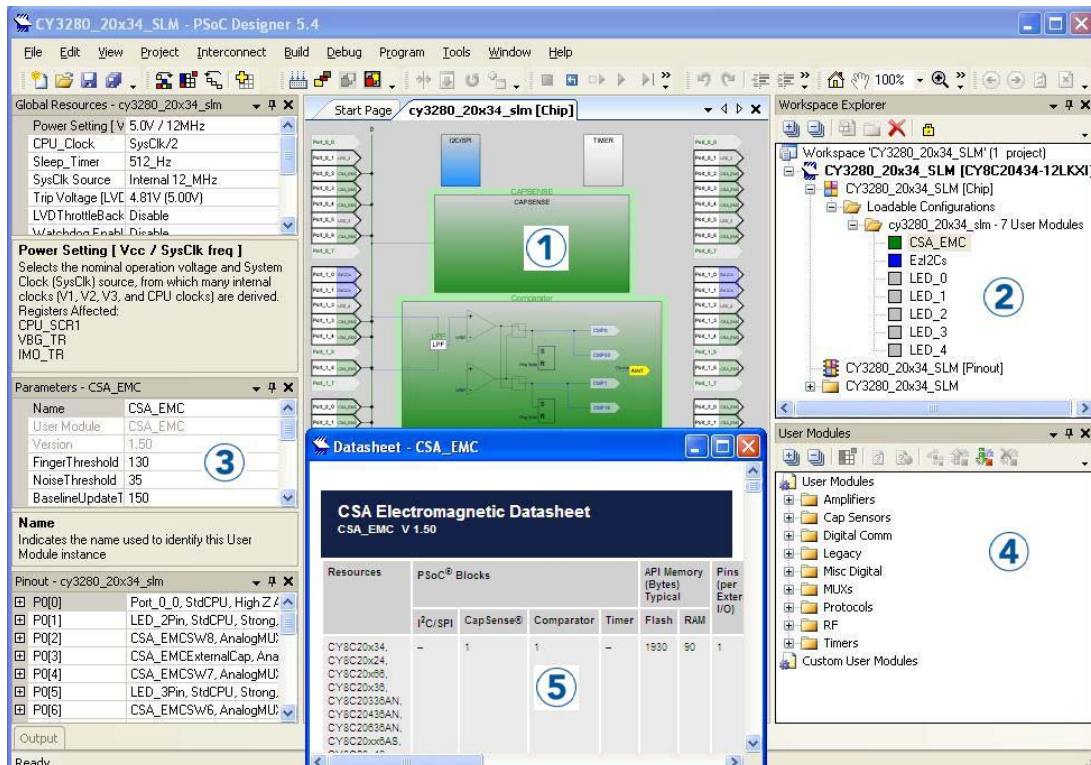
- Overview: [CapSense Portfolio](#), [CapSense Roadmap](#)
- Product Selectors: [CapSense](#), [CapSense Plus](#), [CapSense Express](#), [PSoC3 with CapSense](#), [PSoC5 with CapSense](#), [PSoC4](#). In addition, [PSoC Designer](#) offers a device selection tool at the time of creating a new project.
- Application Notes: Cypress offers CapSense application notes covering a broad range of topics, from basic to advanced level. Recommended application notes for getting started with CapSense are:
 - [AN64846 – Getting Started With CapSense](#)
 - [CY8C20x34 CapSense® Design Guide](#)
 - [AN2397 – CapSense® Data Viewing Tools](#)
- Technical Reference Manual (TRM):
 - [PSoC® CY8C20x24, CY8C20x34 Family Technical Reference Manual](#)
- Development Kits:
 - [CY3280-20x34 Universal CapSense Controller Kit](#) features a predefined control circuitry and plug-in hardware to make prototyping and debugging easy. Programming and I2C-to-USB Bridge hardware are included for tuning and data acquisition.
 - [CY3280-SLM Linear Slider Module Kit](#) consists of five CapSense buttons, one linear slider (with ten sensors) and five LEDs. This module connects to any CY3280 Universal CapSense Controller Board, including CY3280-20x34 kit.
 - [CY3280-BBM Universal CapSense Prototyping Module Kit](#) provides access to every signal routed to the 44-pin connector on the attached controller board including CY3280-20x34 kit.
- Programming
 - PSoC supports a number of different programming modes and tools. For more information see the [General Programming page](#).

PSoC Designer

[PSoC Designer](#) is a free Windows-based Integrated Design Environment (IDE). It enables concurrent hardware and firmware design of systems based on CapSense (see [Figure 1](#)). With PSoC Designer, you can:

1. Drag and drop User Modules to build your hardware system design in the main design workspace
2. Configure User Module
3. Explore the library of user modules
4. Review user module datasheets
5. Code design your application firmware with the PSoC hardware, using the PSoC Designer IDE C compiler

Figure 1. PSoC Designer Features





CY8C20134/CY8C20234/CY8C20334 CY8C20434/CY8C20534/CY8C20634

Contents

| | | | |
|---|-----------|--|-----------|
| PSoC Functional Overview | 4 | Operating Temperature | 20 |
| PSoC Core | 4 | DC Electrical Characteristics | 20 |
| CapSense Analog System | 4 | AC Electrical Characteristics | 25 |
| Additional System Resources | 5 | Packaging Dimensions | 32 |
| PSoC Device Characteristics | 5 | Thermal Impedances | 37 |
| Getting Started | 6 | Solder Reflow Specifications | 37 |
| Application Notes | 6 | Development Tool Selection | 38 |
| Development Kits | 6 | Software | 38 |
| Training | 6 | Development Kits | 38 |
| CYPros Consultants | 6 | Evaluation Tools | 38 |
| Solutions Library | 6 | Device Programmers | 39 |
| Technical Support | 6 | Accessories (Emulation and Programming) | 39 |
| Development Tools | 7 | Ordering Information | 40 |
| PSoC Designer Software Subsystems | 7 | Ordering Code Definitions | 40 |
| Designing with PSoC Designer | 8 | Acronyms | 41 |
| Select User Modules | 8 | Acronyms Used | 41 |
| Configure User Modules | 8 | Reference Documents | 41 |
| Organize and Connect | 8 | Document Conventions | 42 |
| Generate, Verify, and Debug | 8 | Units of Measure | 42 |
| Pin Information | 9 | Numeric Conventions | 42 |
| 8-Pin SOIC Pinout | 9 | Glossary | 42 |
| 16-Pin SOIC Pinout | 10 | Document History Page | 47 |
| 48-Pin OCD Part Pinout | 11 | Sales, Solutions, and Legal Information | 50 |
| 16-Pin Part Pinout | 13 | Worldwide Sales and Design Support | 50 |
| 24-Pin Part Pinout | 14 | Products | 50 |
| 32-Pin Part Pinout | 15 | PSoC® Solutions | 50 |
| 28-Pin Part Pinout | 17 | Cypress Developer Community | 50 |
| 30-Ball Part Pinout | 18 | Technical Support | 50 |
| Electrical Specifications | 19 | | |
| Absolute Maximum Ratings | 19 | | |



CY8C20134/CY8C20234/CY8C20334 CY8C20434/CY8C20534/CY8C20634

PSoC Functional Overview

The PSoC family consists of many *Programmable System-on-Chips with On-Chip Controller* devices. These devices are designed to replace multiple traditional MCU based system components with one low cost single chip programmable component. A PSoC device includes configurable analog and digital blocks and programmable interconnect. This architecture enables the user to create customized peripheral configurations to match the requirements of each individual application. Additionally, a fast CPU, flash program memory, SRAM data memory, and configurable I/O are included in a range of convenient pinouts.

The PSoC architecture for this device family, as shown in Figure 2, consists of three main areas: the Core, the System Resources, and the CapSense Analog System. A common versatile bus enables connection between I/O and the analog system. Each CY8C20x34 PSoC device includes a dedicated CapSense block that provides sensing and scanning control circuitry for capacitive sensing applications. Depending on the PSoC package, up to 28 general purpose I/O (GPIO) are also included. The GPIO provide access to the MCU and analog mux.

PSoC Core

The PSoC Core is a powerful engine that supports a rich instruction set. It encompasses SRAM for data storage, an interrupt controller, sleep and watchdog timers, IMO, and ILO. The CPU core, called the M8C, is a powerful processor with speeds up to 12 MHz. The M8C is a two MIPS, 8-bit Harvard-architecture microprocessor.

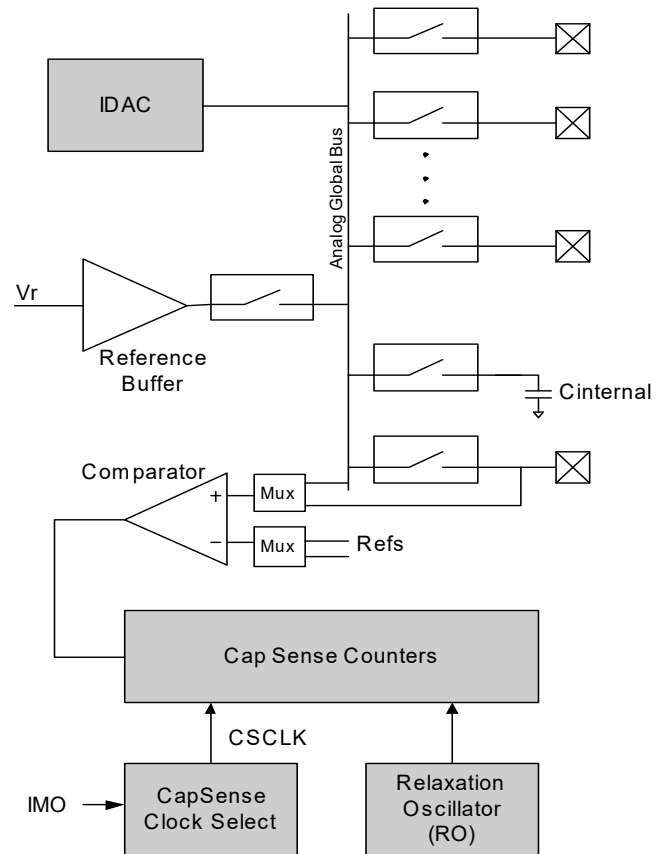
System Resources provide additional capability such as a configurable I²C slave or SPI master-slave communication interface and various system resets supported by the M8C.

The Analog System consists of the CapSense PSoC block and an internal 1.8 V analog reference. Together they support capacitive sensing of up to 28 inputs.

CapSense Analog System

The Analog System contains the capacitive sensing hardware. Several hardware algorithms are supported. This hardware performs capacitive sensing and scanning without requiring external components. Capacitive sensing is configurable on each GPIO pin. Scanning of enabled CapSense pins is completed quickly and easily across multiple ports.

Figure 2. Analog System Block Diagram



Analog Multiplexer System

The Analog Mux Bus connects to every GPIO pin. Pins are connected to the bus individually or in any combination. The bus also connects to the analog system for analysis with the CapSense block comparator.

Switch control logic enables selected pins to precharge continuously under hardware control. This enables capacitive measurement for applications such as touch sensing. Other multiplexer applications include:

- Complex capacitive sensing interfaces such as sliders and touch pads
- Chip-wide mux that enables analog input from any I/O pin
- Crosspoint connection between any I/O pin combinations



CY8C20134/CY8C20234/CY8C20334 CY8C20434/CY8C20534/CY8C20634

Additional System Resources

System Resources provide additional capability useful to complete systems. Additional resources include low voltage detection and power on reset. Brief statements describing the merits of each system resource follow:

- The I²C slave or SPI master-slave module provides 50/100/400 kHz communication over two wires. SPI communication over three or four wires run at speeds of 46.9 kHz to 3 MHz (lower for a slower system clock).
- Low voltage detection (LVD) interrupts signal the application of falling voltage levels, while the advanced POR (Power On Reset) circuit eliminates the need for a system supervisor.
- An internal 1.8 V reference provides an absolute reference for capacitive sensing.
- The 5 V maximum input, 3 V fixed output, low dropout regulator (LDO) provides regulation for I/Os. A register controlled bypass mode enables the user to disable the LDO.

PSoC Device Characteristics

Depending on your PSoC device characteristics, the digital and analog systems can have 16, 8, or 4 digital blocks, and 12, 6, or 4 analog blocks. [Table 1](#) lists the resources available for specific PSoC device groups. The PSoC device covered by this datasheet is highlighted.

Table 1. PSoC Device Characteristics

| PSoC Part Number | Digital I/O | Digital Rows | Digital Blocks | Analog Inputs | Analog Outputs | Analog Columns | Analog Blocks | SRAM Size | Flash Size |
|------------------|-------------|--------------|----------------|---------------|----------------|----------------|-----------------------------|-----------|------------|
| CY8C29x66 | up to 64 | 4 | 16 | up to 12 | 4 | 4 | 12 | 2K | 32K |
| CY8C28xxx | up to 44 | up to 3 | up to 12 | up to 44 | up to 4 | up to 6 | up to 12 + 4 ^[1] | 1K | 16K |
| CY8C27x43 | up to 44 | 2 | 8 | up to 12 | 4 | 4 | 12 | 256 | 16K |
| CY8C24x94 | up to 56 | 1 | 4 | up to 48 | 2 | 2 | 6 | 1K | 16K |
| CY8C24x23A | up to 24 | 1 | 4 | up to 12 | 2 | 2 | 6 | 256 | 4K |
| CY8C23x33 | up to 26 | 1 | 4 | up to 12 | 2 | 2 | 4 | 256 | 8K |
| CY8C22x45 | up to 38 | 2 | 8 | up to 38 | 0 | 4 | 6 ^[1] | 1K | 16K |
| CY8C21x45 | up to 24 | 1 | 4 | up to 24 | 0 | 4 | 6 ^[1] | 512 | 8K |
| CY8C21x34 | up to 28 | 1 | 4 | up to 28 | 0 | 2 | 4 ^[1] | 512 | 8K |
| CY8C21x23 | up to 16 | 1 | 4 | up to 8 | 0 | 2 | 4 ^[1] | 256 | 4K |
| CY8C20x34 | up to 28 | 0 | 0 | up to 28 | 0 | 0 | 3 ^[1,2] | 512 | 8K |
| CY8C20xx6 | up to 36 | 0 | 0 | up to 36 | 0 | 0 | 3 ^[1,2] | up to 2K | up to 32K |

Notes

1. Limited analog functionality
2. Two analog blocks and one CapSense®.



CY8C20134/CY8C20234/CY8C20334 CY8C20434/CY8C20534/CY8C20634

Getting Started

For in-depth information, along with detailed programming details, see the *PSoC[®] Technical Reference Manual*.

For up-to-date ordering, packaging, and electrical specification information, see the latest [PSoC device datasheets](#) on the web.

Application Notes

[Cypress application notes](#) are an excellent introduction to the wide variety of possible PSoC designs.

Development Kits

[PSoC Development Kits](#) are available online from and through a growing number of regional and global distributors, which include Arrow, Avnet, Digi-Key, Farnell, Future Electronics, and Newark.

Training

[Free PSoC technical training](#) (on demand, webinars, and workshops), which is available online via www.cypress.com,

covers a wide variety of topics and skill levels to assist you in your designs.

CYPros Consultants

Certified PSoC consultants offer everything from technical assistance to completed PSoC designs. To contact or become a PSoC consultant go to the [CYPros Consultants](#) web site.

Solutions Library

Visit our growing [library of solution focused designs](#). Here you can find various application designs that include firmware and hardware design files that enable you to complete your designs quickly.

Technical Support

[Technical support](#) – including a searchable Knowledge Base articles and technical forums – is also available online. If you cannot find an answer to your question, call our Technical Support hotline at 1-800-541-4736.



Development Tools

PSoC Designer™ is the revolutionary integrated design environment (IDE) that you can use to customize PSoC to meet your specific application requirements. PSoC Designer software accelerates system design and time to market. Develop your applications using a library of precharacterized analog and digital peripherals (called user modules) in a drag-and-drop design environment. Then, customize your design by leveraging the dynamically generated application programming interface (API) libraries of code. Finally, debug and test your designs with the integrated debug environment, including in-circuit emulation and standard software debug features. PSoC Designer includes:

- Application editor graphical user interface (GUI) for device and user module configuration and dynamic reconfiguration
- Extensive user module catalog
- Integrated source-code editor (C and assembly)
- Free C compiler with no size restrictions or time limits
- Built-in debugger
- In-circuit emulation
- Built-in support for communication interfaces:
 - Hardware and software I²C slaves and masters
 - Full-speed USB 2.0
 - Up to four full-duplex universal asynchronous receiver/transmitters (UARTs), SPI master and slave, and wireless

PSoC Designer supports the entire library of PSoC 1 devices and runs on Windows XP, Windows Vista, and Windows 7.

PSoC Designer Software Subsystems

Design Entry

In the chip-level view, choose a base device to work with. Then select different onboard analog and digital components that use the PSoC blocks, which are called user modules. Examples of user modules are ADCs, DACs, amplifiers, and filters. Configure the user modules for your chosen application and connect them to each other and to the proper pins. Then generate your project. This prepopulates your project with APIs and libraries that you can use to program your application.

The tool also supports easy development of multiple configurations and dynamic reconfiguration. Dynamic reconfiguration makes it possible to change configurations at run

time. In essence, this allows you to use more than 100 percent of PSoC's resources for an application.

Code Generation Tools

The code generation tools work seamlessly within the PSoC Designer interface and have been tested with a full range of debugging tools. You can develop your design in C, assembly, or a combination of the two.

Assemblers. The assemblers allow you to merge assembly code seamlessly with C code. Link libraries automatically use absolute addressing or are compiled in relative mode, and are linked with other software modules to get absolute addressing.

C Language Compilers. C language compilers are available that support the PSoC family of devices. The products allow you to create complete C programs for the PSoC family devices. The optimizing C compilers provide all of the features of C, tailored to the PSoC architecture. They come complete with embedded libraries providing port and bus operations, standard keypad and display support, and extended math functionality.

Debugger

PSoC Designer has a debug environment that provides hardware in-circuit emulation, allowing you to test the program in a physical system while providing an internal view of the PSoC device. Debugger commands allow you to read and program and read and write data memory, and read and write I/O registers. You can read and write CPU registers, set and clear breakpoints, and provide program run, halt, and step control. The debugger also allows you to create a trace buffer of registers and memory locations of interest.

Online Help System

The online help system displays online, context-sensitive help. Designed for procedural and quick reference, each functional subsystem has its own context-sensitive help. This system also provides tutorials and links to FAQs and an online support Forum to aid the designer.

In-Circuit Emulator

A low-cost, high-functionality in-circuit emulator (ICE) is available for development support. This hardware can program single devices.

The emulator consists of a base unit that connects to the PC using a USB port. The base unit is universal and operates with all PSoC devices. Emulation pods for each device family are available separately. The emulation pod takes the place of the PSoC device in the target board and performs full-speed (24 MHz) operation.



Designing with PSoC Designer

The development process for the PSoC device differs from that of a traditional fixed function microprocessor. The configurable analog and digital hardware blocks give the PSoC architecture a unique flexibility that pays dividends in managing specification change during development and by lowering inventory costs. These configurable resources, called PSoC Blocks, have the ability to implement a wide variety of user-selectable functions. The PSoC development process is summarized in four steps:

1. Select [User Modules](#).
2. Configure User Modules.
3. Organize and Connect.
4. Generate, Verify, and Debug.

Select User Modules

PSoC Designer provides a library of prebuilt, pretested hardware peripheral components called “user modules”. User modules make selecting and implementing peripheral devices, both analog and digital, simple.

Configure User Modules

Each user module that you select establishes the basic register settings that implement the selected function. They also provide parameters and properties that allow you to tailor their precise configuration to your particular application. For example, a PWM User Module configures one or more digital PSoC blocks, one for each 8 bits of resolution. The user module parameters permit you to establish the pulse width and duty cycle. Configure the parameters and properties to correspond to your chosen application. Enter values directly or by selecting values from drop-down menus. All the user modules are documented in datasheets that may be viewed directly in PSoC Designer or on the Cypress website. These [user module datasheets](#) explain the internal operation of the user module and provide performance specifications. Each datasheet describes the use of each user

module parameter, and other information you may need to successfully implement your design.

Organize and Connect

You build signal chains at the chip level by interconnecting user modules to each other and the I/O pins. You perform the selection, configuration, and routing so that you have complete control over all on-chip resources.

Generate, Verify, and Debug

When you are ready to test the hardware configuration or move on to developing code for the project, you perform the “Generate Configuration Files” step. This causes PSoC Designer to generate source code that automatically configures the device to your specification and provides the software for the system. The generated code provides application programming interfaces (APIs) with high-level functions to control and respond to hardware events at run-time and interrupt service routines that you can adapt as needed.

A complete code development environment allows you to develop and customize your applications in either C, assembly language, or both.

The last step in the development process takes place inside PSoC Designer’s debugger (access by clicking the Connect icon). PSoC Designer downloads the HEX image to the ICE where it runs at full speed. PSoC Designer debugging capabilities rival those of systems costing many times more. In addition to traditional single-step, run-to-breakpoint, and watch-variable features, the debug interface provides a large trace buffer and allows you to define complex breakpoint events. These include monitoring address and data bus values, memory locations, and external signals.



CY8C20134/CY8C20234/CY8C20334 CY8C20434/CY8C20534/CY8C20634

Pin Information

This section describes, lists, and illustrates the CY8C20234, CY8C20334, CY8C20434, CY8C20534, and CY8C20634 PSoC device pins and pinout configurations.

The CY8C20x34 PSoC device is available in a variety of packages that are listed and shown in the following tables. Every port pin (labeled with a "P") is capable of Digital I/O and connection to the common analog bus. However, V_{SS} , V_{DD} , and XRES are not capable of Digital I/O.

8-Pin SOIC Pinout

Figure 3. CY8C20134-12SXI 8-Pin SOIC Pinout

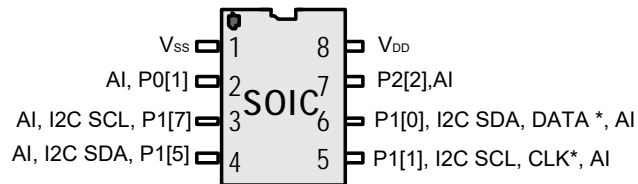


Table 2. Pin Definitions – CY8C20134 8-Pin (SOIC)

| Pin No. | Digital | Analog | Name | Description |
|---------|---------|--------|----------|--|
| 1 | Power | | V_{SS} | Ground connection |
| 2 | I/O | I | P0[1] | Analog column mux input, integrating input |
| 3 | I/O | I | P1[7] | I2C serial clock (SCL) |
| 4 | I/O | I | P1[5] | I2C serial data (SDA) |
| 5 | I/O | I | P1[1] | I2C serial clock (SCL), ISSP-SCLK |
| 6 | I/O | I | P1[0] | I2C serial data (SDA), ISSP-SDATA |
| 7 | I/O | I | P2[2] | Analog column mux input |
| 8 | Power | | V_{DD} | Supply voltage |

A = Analog, I = Input, O = Output, OH = 5 mA High Output Drive.



CY8C20134/CY8C20234/CY8C20334 CY8C20434/CY8C20534/CY8C20634

16-Pin SOIC Pinout

Figure 4. CY8C20234-12SXI 16-Pin SOIC Pinout

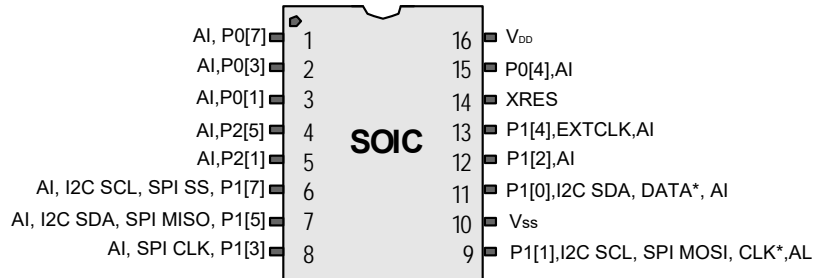


Table 3. Pin Definitions – CY8C20234 16-Pin (SOIC)

| Pin No. | Digital | Analog | Name | Description |
|---------|---------|--------|-----------------|---|
| 1 | I/O | I | P0[7] | Analog column mux input |
| 2 | I/O | I | P0[3] | Analog column mux input and column input, integrating input |
| 3 | I/O | I | P0[1] | Analog column mux input, integrating input |
| 4 | I/O | I | P2[5] | Analog column mux input |
| 5 | I/O | I | P2[1] | Analog column mux input |
| 6 | I/O | I | P1[7] | I2C serial clock (SCL), SPI SS |
| 7 | I/O | I | P1[5] | I2C serial data (SDA), SPI MISO |
| 8 | I/O | I | P1[3] | Analog column mux input, SPI CLK |
| 9 | I/O | I | P1[1] | I2C serial clock (SCL), ISSP-SCLK, SPI MOSI |
| 10 | Power | | V _{SS} | Ground connection |
| 11 | I/O | I | P1[0] | I2C serial data (SDA), ISSP-SDATA |
| 12 | I/O | I | P1[2] | Analog column mux input |
| 13 | I/O | I | P1[4] | Analog column mux input, optional external clock input (EXTCLK) |
| 14 | I/O | I | XRES | XRES |
| 15 | I/O | I | P0[4] | Analog column mux input |
| 16 | Power | | V _{DD} | Supply voltage |

A = Analog, I = Input, O = Output, OH = 5 mA High Output Drive.



CY8C20134/CY8C20234/CY8C20334 CY8C20434/CY8C20534/CY8C20634

48-Pin OCD Part Pinout

The 48-Pin QFN part table and pin diagram is for the CY8C20000 On-Chip Debug (OCD) PSoC device. This part is only used for in-circuit debugging. It is NOT available for production.

Figure 5. CY8C20000 48-Pin OCD PSoC Device

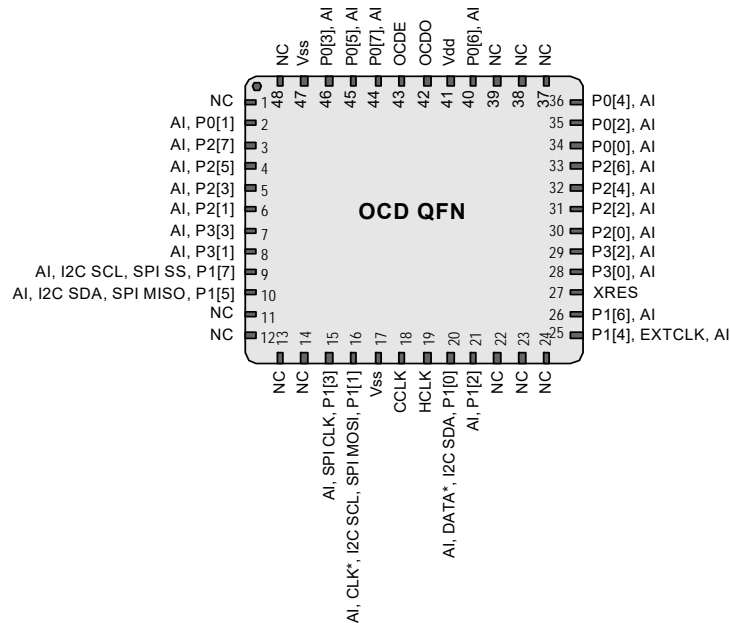


Table 4. Pin Definitions – CY8C20000 48-Pin OCD (QFN) [3]

| Pin No. | Digital | Analog | Name | Description |
|---------|-----------------|--------|-------|---|
| 1 | | | NC | No connection |
| 2 | I/O | I | P0[1] | |
| 3 | I/O | I | P2[7] | |
| 4 | I/O | I | P2[5] | |
| 5 | I/O | I | P2[3] | |
| 6 | I/O | I | P2[1] | |
| 7 | I/O | I | P3[3] | |
| 8 | I/O | I | P3[1] | |
| 9 | I _{OH} | I | P1[7] | I ² C SCL, SPI SS |
| 10 | I _{OH} | I | P1[5] | I ² C SDA, SPI MISO |
| 11 | I/O | I | P0[1] | |
| 12 | | | NC | No connection |
| 13 | | | NC | No Connection |
| 14 | | | NC | No Connection |
| 15 | | | NC | SPI CLK |
| 16 | I _{OH} | I | P1[3] | CLK ^[4] , I ² C SCL, SPI MOSI |
| 17 | I _{OH} | I | P1[1] | Ground connection |

Notes

- The center pad on the QFN package is connected to ground (V_{SS}) for best mechanical, thermal, and electrical performance. If not connected to ground, it is electrically floated and not connected to any other signal.
- These are the ISSP pins, that are not High Z at POR (Power-on-Reset). See the *PSoC Technical Reference Manual* for details.



CY8C20134/CY8C20234/CY8C20334
CY8C20434/CY8C20534/CY8C20634

Table 4. Pin Definitions – CY8C20000 48-Pin OCD (QFN) ^[3]

| Pin No. | Digital | Analog | Name | Description |
|---------|-----------------|--------|-----------------|--|
| 18 | Power | | V _{SS} | OCD CPU clock output |
| 19 | | | CCLK | OCD high speed clock output |
| 20 | | | HCLK | DATA ^[5] , I ² C SDA |
| 21 | I _{OH} | I | P1[0] | |
| 22 | I _{OH} | I | P1[2] | No connection |
| 23 | | | NC | No connection |
| 24 | | | NC | No connection |
| 25 | | | NC | Optional external clock input (EXTCLK) |
| 26 | I _{OH} | I | P1[4] | |
| 27 | I _{OH} | I | P1[6] | Active high external reset with internal pull-down |
| 28 | Input | | XRES | |
| 29 | I/O | I | P3[0] | |
| 30 | I/O | I | P3[2] | |
| 31 | I/O | I | P2[0] | |
| 32 | I/O | I | P2[2] | |
| 33 | I/O | I | P2[4] | |
| 34 | I/O | I | P2[6] | |
| 35 | I/O | I | P0[0] | |
| 36 | I/O | I | P0[2] | |
| 37 | | | NC | No connection |
| 38 | | | NC | No connection |
| 39 | | | NC | No connection |
| 40 | I/O | I | P0[6] | Analog bypass |
| 41 | Power | | V _{DD} | Supply voltage |
| 42 | | | OCDO | OCD odd data output |
| 43 | | | OCDE | OCD even data I/O |
| 44 | I/O | I | P0[7] | |
| 45 | I/O | I | P0[5] | |
| 46 | I/O | I | P0[3] | Integrating Input |
| 47 | Power | | V _{SS} | Ground connection |
| 48 | | | NC | No connection |
| CP | Power | | V _{SS} | Center pad is connected to ground |

A = Analog, I = Input, O = Output, NC = No Connection H = 5 mA High Output Drive.

Note

5. These are the ISSP pins, that are not High Z at POR (Power-on-Reset). See the *PSoc Technical Reference Manual* for details.



CY8C20134/CY8C20234/CY8C20334 CY8C20434/CY8C20534/CY8C20634

16-Pin Part Pinout

Figure 6. CY8C20234 16-Pin PSoC Device

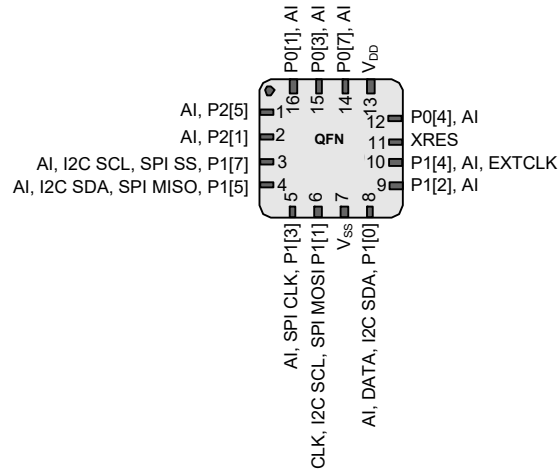


Table 5. Pin Definitions – CY8C20234 16-Pin (QFN no e-pad)

| Pin No. | Type | | Name | Description |
|---------|-----------------|--------|-----------------|---|
| | Digital | Analog | | |
| 1 | I/O | I | P2[5] | |
| 2 | I/O | I | P2[1] | |
| 3 | I _{OH} | I | P1[7] | I ² C SCL, SPI SS |
| 4 | I _{OH} | I | P1[5] | I ² C SDA, SPI MISO |
| 5 | I _{OH} | I | P1[3] | SPI CLK |
| 6 | I _{OH} | I | P1[1] | CLK ^[6] , I ² C SCL, SPI MOSI |
| 7 | Power | | V _{SS} | Ground connection |
| 8 | I _{OH} | I | P1[0] | DATA ^[6] , I ² C SDA |
| 9 | I _{OH} | I | P1[2] | |
| 10 | I _{OH} | I | P1[4] | Optional external clock input (EXTCLK) |
| 11 | Input | | XRES | Active high external reset with internal pull-down |
| 12 | I/O | I | P0[4] | |
| 13 | Power | | V _{DD} | Supply voltage |
| 14 | I/O | I | P0[7] | |
| 15 | I/O | I | P0[3] | Integrating Input |
| 16 | I/O | I | P0[1] | |

A = Analog, I = Input, O = Output, OH = 5 mA High Output Drive

Note

6. These are the ISSP pins, that are not High Z at POR (Power-on-Reset). See the *PSoC Technical Reference Manual* for details.



CY8C20134/CY8C20234/CY8C20334 CY8C20434/CY8C20534/CY8C20634

24-Pin Part Pinout

Figure 7. CY8C20334 24-Pin PSoC Device

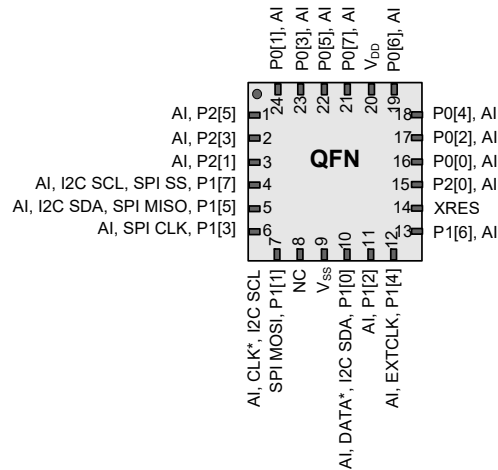


Table 6. Pin Definitions – CY8C20334 24-Pin (QFN) [7]

| Pin No. | Type | | Name | Description |
|---------|-----------------|--------|-----------------|---|
| | Digital | Analog | | |
| 1 | I/O | I | P2[5] | |
| 2 | I/O | I | P2[3] | |
| 3 | I/O | I | P2[1] | |
| 4 | I _{OH} | I | P1[7] | I ² C SCL, SPI SS |
| 5 | I _{OH} | I | P1[5] | I ² C SDA, SPI MISO |
| 6 | I _{OH} | I | P1[3] | SPI CLK |
| 7 | I _{OH} | I | P1[1] | CLK ^[8] , I ² C SCL, SPI MOSI |
| 8 | | | NC | No Connection |
| 9 | Power | | V _{SS} | Ground Connection |
| 10 | I _{OH} | I | P1[0] | DATA ^[8] , I ² C SDA |
| 11 | I _{OH} | I | P1[2] | |
| 12 | I _{OH} | I | P1[4] | Optional external clock input (EXTCLK) |
| 13 | I _{OH} | I | P1[6] | |
| 14 | Input | | XRES | Active high external reset with internal pull-down |
| 15 | I/O | I | P2[0] | |
| 16 | I/O | I | P0[0] | |
| 17 | I/O | I | P0[2] | |
| 18 | I/O | I | P0[4] | |
| 19 | I/O | I | P0[6] | Analog bypass |
| 20 | Power | | V _{DD} | Supply voltage |
| 21 | I/O | I | P0[7] | |
| 22 | I/O | I | P0[5] | |
| 23 | I/O | I | P0[3] | Integrating input |
| 24 | I/O | I | P0[1] | |
| CP | Power | | V _{SS} | Center pad is connected to ground |

A = Analog, I = Input, O = Output, OH = 5 mA High Output Drive

Notes

- The center pad on the QFN package is connected to ground (V_{SS}) for best mechanical, thermal, and electrical performance. If not connected to ground, it is electrically floated and not connected to any other signal.
- These are the ISSP pins, that are not High Z at POR (Power-on-Reset). See the *PSoC Technical Reference Manual* for details.



CY8C20134/CY8C20234/CY8C20334 CY8C20434/CY8C20534/CY8C20634

32-Pin Part Pinout

Figure 8. CY8C20434 32-Pin PSoC Device

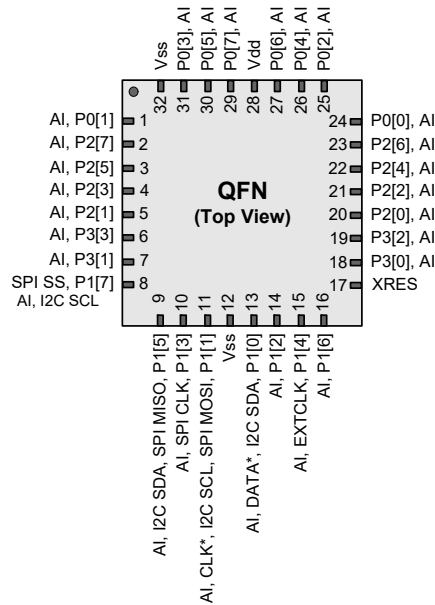


Table 7. Pin Definitions – CY8C20434 32-Pin (QFN) ^[9]

| Pin No. | Type | | Name | Description |
|---------|-----------------|--------|-----------------|--|
| | Digital | Analog | | |
| 1 | I/O | I | P0[1] | |
| 2 | I/O | I | P2[7] | |
| 3 | I/O | I | P2[5] | |
| 4 | I/O | I | P2[3] | |
| 5 | I/O | I | P2[1] | |
| 6 | I/O | I | P3[3] | |
| 7 | I/O | I | P3[1] | |
| 8 | I _{OH} | I | P1[7] | I ² C SCL, SPI SS |
| 9 | I _{OH} | I | P1[5] | I ² C SDA, SPI MISO |
| 10 | I _{OH} | I | P1[3] | SPI CLK |
| 11 | I _{OH} | I | P1[1] | CLK ^[10] , I ² C SCL, SPI MOSI |
| 12 | Power | | V _{SS} | Ground Connection ^[11] |
| 13 | I _{OH} | I | P1[0] | DATA ^[10] , I ² C SDA |
| 14 | I _{OH} | I | P1[2] | |
| 15 | I _{OH} | I | P1[4] | Optional external clock input (EXTCLK) |
| 16 | I _{OH} | I | P1[6] | |
| 17 | Input | | XRES | Active high external reset with internal pull-down |

Notes

- The center pad on the QFN package is connected to ground (V_{SS}) for best mechanical, thermal, and electrical performance. If not connected to ground, it is electrically floated and not connected to any other signal.
- These are the ISSP pins, that are not High Z at POR (Power-on-Reset). See the *PSoC Technical Reference Manual* for details.
- All V_{SS} pins should be brought out to one common GND plane.


Table 7. Pin Definitions – CY8C20434 32-Pin (QFN) ^[9]

| Pin No. | Type | | Name | Description |
|---------|---------|--------|-----------------|-----------------------------------|
| | Digital | Analog | | |
| 18 | I/O | I | P3[0] | |
| 19 | I/O | I | P3[2] | |
| 20 | I/O | I | P2[0] | |
| 21 | I/O | I | P2[2] | |
| 22 | I/O | I | P2[4] | |
| 23 | I/O | I | P2[6] | |
| 24 | I/O | I | P0[0] | |
| 25 | I/O | I | P0[2] | |
| 26 | I/O | I | P0[4] | |
| 27 | I/O | I | P0[6] | Analog bypass |
| 28 | Power | | V _{DD} | Supply voltage |
| 29 | I/O | I | P0[7] | |
| 30 | I/O | I | P0[5] | |
| 31 | I/O | I | P0[3] | Integrating input |
| 32 | Power | | V _{SS} | Ground connection ^[12] |
| CP | Power | | V _{SS} | Center pad is connected to ground |

A = Analog, I = Input, O = Output, OH = 5 mA high output drive.

Note

¹². All V_{SS} pins should be brought out to one common GND plane.



CY8C20134/CY8C20234/CY8C20334 CY8C20434/CY8C20534/CY8C20634

28-Pin Part Pinout

Figure 9. CY8C20534 28-Pin PSoC Device

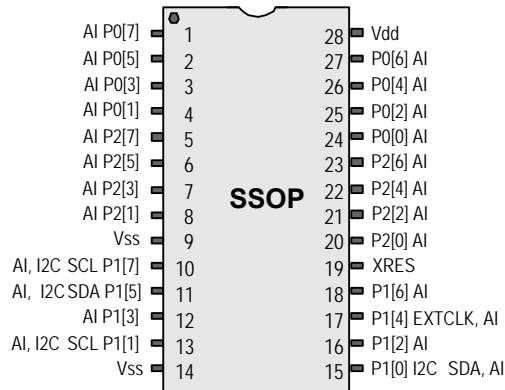


Table 8. Pin Definitions – CY8C20534 28-Pin (SSOP)

| Pin No. | Type | | Name | Description |
|---------|---------|--------|-----------------|--|
| | Digital | Analog | | |
| 1 | I/O | I | P0[7] | Analog column mux input |
| 2 | I/O | I | P0[5] | Analog column mux input and column output |
| 3 | I/O | I | P0[3] | Analog column mux input and column output, integrating input |
| 4 | I/O | I | P0[1] | Analog column mux input, integrating input |
| 5 | I/O | I | P2[7] | |
| 6 | I/O | I | P2[5] | |
| 7 | I/O | I | P2[3] | Direct switched capacitor block input |
| 8 | I/O | I | P2[1] | Direct switched capacitor block input |
| 9 | Power | | V _{SS} | Ground connection ^[13] |
| 10 | I/O | I | P1[7] | I2C serial clock (SCL) |
| 11 | I/O | I | P1[5] | I2C serial data (SDA) |
| 12 | I/O | I | P1[3] | |
| 13 | I/O | I | P1[1] | I2C serial clock (SCL), ISSP-SCLK ^[14] |
| 14 | Power | | V _{SS} | Ground connection |
| 15 | I/O | I | P1[0] | I2C serial data (SDA), ISSP-SDATA ^[14] |
| 16 | I/O | I | P1[2] | |
| 17 | I/O | I | P1[4] | Optional external clock input (EXTCLK) |
| 18 | I/O | I | P1[6] | |
| 19 | Input | | XRES | Active high external reset with internal pull-down |
| 20 | I/O | I | P2[0] | Direct switched capacitor block input |
| 21 | I/O | I | P2[2] | Direct switched capacitor block input |
| 22 | I/O | I | P2[4] | |
| 23 | I/O | I | P2[6] | |
| 24 | I/O | I | P0[0] | Analog column mux input |
| 25 | I/O | I | P0[2] | Analog column mux input |
| 26 | I/O | I | P0[4] | Analog column mux input |
| 27 | I/O | I | P0[6] | Analog column mux input |
| 28 | Power | | V _{DD} | Supply voltage |

A = Analog, I = Input, O = Output, OH = 5 mA High Output Drive.

Notes

13. All V_{SS} pins should be brought out to one common GND plane.

14. These are the ISSP pins, that are not High Z at POR (Power-on-Reset). See the *PSoC Technical Reference Manual* for details.



30-Ball Part Pinout

Figure 10. CY8C20634 30-Ball PSoC Device

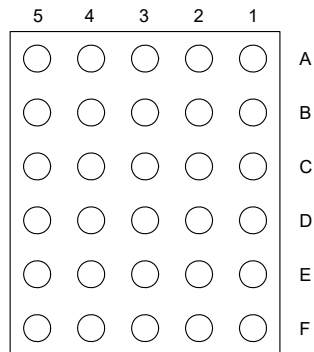


Table 9. 30-Ball Part Pinout (WLCSP)

| Pin No. | Type | | Name | Description |
|---------|-----------------|--------|-----------------|--|
| | Digital | Analog | | |
| A1 | Power | | V _{DD} | Supply voltage |
| A2 | I/O | I | P0[6] | Analog bypass |
| A3 | I/O | I | P0[4] | |
| A4 | I/O | I | P0[3] | Integrating input |
| A5 | I/O | I | P2[7] | |
| B1 | I/O | I | P0[2] | |
| B2 | I/O | I | P0[0] | |
| B3 | I/O | I | P2[6] | |
| B4 | I/O | I | P0[5] | |
| B5 | I/O | I | P0[1] | |
| C1 | I/O | I | P2[4] | |
| C2 | I/O | I | P2[2] | |
| C3 | I/O | I | P3[1] | |
| C4 | I/O | I | P0[7] | |
| C5 | I/O | I | P2[1] | |
| D1 | I/O | I | P2[0] | |
| D2 | I/O | I | P3[0] | |
| D3 | I/O | I | P3[2] | |
| D4 | I _{OH} | I | P1[1] | CLK ^[15] , I ² C SCL, SPI MOSI |
| D5 | I/O | I | P2[3] | |
| E1 | Input | | XRES | Active high external reset with internal pull-down |
| E2 | I _{OH} | I | P1[6] | |
| E3 | I _{OH} | I | P1[4] | Optional external clock input (EXTCLK) |
| E4 | I _{OH} | I | P1[5] | I ² C SDA, SPI MISO |
| E5 | I/O | I | P2[5] | |
| F1 | Power | | V _{SS} | Ground connection ^[16] |
| F2 | I _{OH} | I | P1[2] | |
| F3 | I _{OH} | I | P1[0] | DATA ^[15] , I ² C SDA |
| F4 | I _{OH} | I | P1[3] | SPI CLK |
| F5 | I _{OH} | I | P1[7] | I ² C SCL, SPI SS |

A = Analog, I = Input, O = Output, OH = 5 mA High Output Drive.

Notes

15. These are the ISSP pins, that are not High Z at POR (Power-on-Reset). See the *PSoC Technical Reference Manual* for details.

16. All V_{SS} pins should be brought out to one common GND plane.



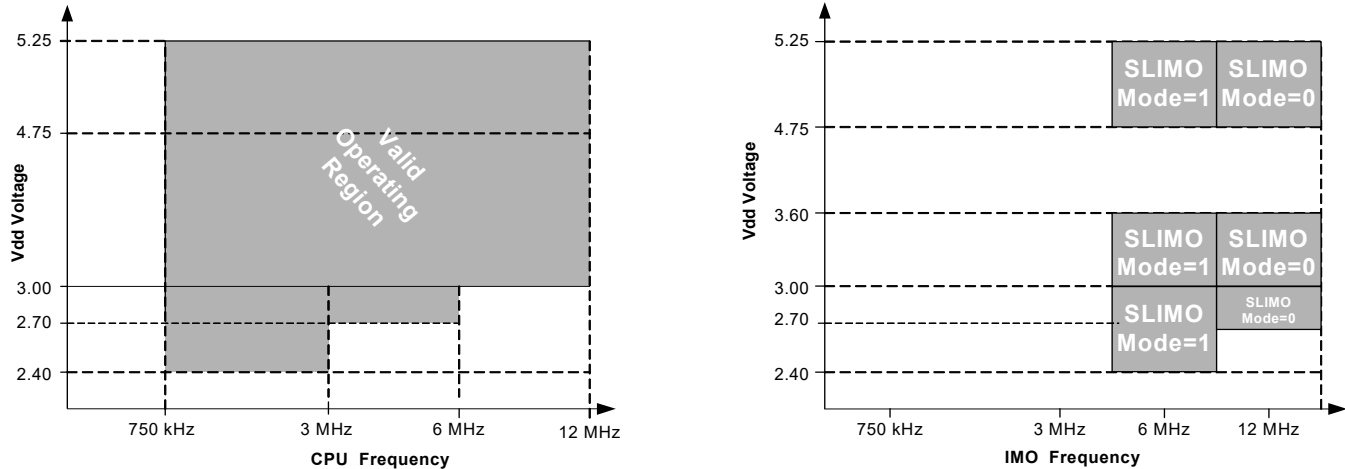
Electrical Specifications

This section presents the DC and AC electrical specifications of the CY8C20234, CY8C20334, CY8C20434, CY8C20534, and CY8C20634 PSoC devices. For the latest electrical specifications, check the most recent datasheet by visiting the web at <http://www.cypress.com>.

Specifications are valid for $-40\text{ }^{\circ}\text{C} \leq T_A \leq 85\text{ }^{\circ}\text{C}$ and $T_J \leq 100\text{ }^{\circ}\text{C}$ as specified, except where mentioned.

Refer to [Table 19 on page 25](#) for the electrical specifications on the internal main oscillator (IMO) using SLIMO mode.

Figure 11. Voltage versus CPU Frequency and IMO Frequency Trim Options



Absolute Maximum Ratings

Table 10. Absolute Maximum Ratings

| Symbol | Description | Min | Typ | Max | Units | Notes |
|----------------|---|-------------------|-----|-------------------|--------------------|--|
| T_{STG} | Storage Temperature | -55 | 25 | +100 | $^{\circ}\text{C}$ | Higher storage temperatures reduces data retention time. Recommended storage temperature is $+25\text{ }^{\circ}\text{C} \pm 25\text{ }^{\circ}\text{C}$. Extended duration storage temperatures above $65\text{ }^{\circ}\text{C}$ degrades reliability. |
| $T_{BAKETEMP}$ | Bake temperature | - | 125 | See package label | $^{\circ}\text{C}$ | |
| $t_{BAKETIME}$ | Bake time | See package label | - | 72 | Hours | |
| T_A | Ambient temperature with power applied | -40 | - | +85 | $^{\circ}\text{C}$ | |
| V_{DD} | Supply voltage on V_{DD} relative to V_{SS} | -0.5 | - | +6.0 | V | |
| V_{IO} | DC input voltage | $V_{SS} - 0.5$ | - | $V_{DD} + 0.5$ | V | |
| V_{IOZ} | DC voltage applied to tri-state | $V_{SS} - 0.5$ | - | $V_{DD} + 0.5$ | V | |
| I_{MIO} | Maximum current into any port pin | -25 | - | +50 | mA | |
| ESD | Electro static discharge voltage | 2000 | - | - | V | Human body model ESD. |
| LU | Latch-up current | - | - | 200 | mA | |



Operating Temperature

Table 11. Operating Temperature

| Symbol | Description | Min | Typ | Max | Units | Notes |
|--------|----------------------|-----|-----|------|-------|---|
| T_A | Ambient temperature | -40 | - | +85 | °C | |
| T_J | Junction temperature | -40 | - | +100 | °C | The temperature rise from ambient to junction is package specific. See Table 16 on page 23 . The user must limit the power consumption to comply with this requirement. |

DC Electrical Characteristics

DC Chip Level Specifications

[Table 12](#) lists the guaranteed maximum and minimum specifications for the voltage and temperature ranges: 4.75 V to 5.25 V and $-40\text{ °C} \leq T_A \leq 85\text{ °C}$, 3.0V to 3.6V and $-40\text{ °C} \leq T_A \leq 85\text{ °C}$, or 2.4 V to 3.0 V and $-40\text{ °C} \leq T_A \leq 85\text{ °C}$, respectively. Typical parameters apply to 5 V, 3.3 V, or 2.7 V at 25 °C. These are for design guidance only.

Table 12. DC Chip Level Specifications

| Symbol | Description | Min | Typ | Max | Units | Notes |
|------------|---|------|-----|------|-------|---|
| V_{DD} | Supply voltage | 2.40 | - | 5.25 | V | See Table 16 on page 23 . |
| I_{DD12} | Supply current, IMO = 12 MHz | - | 1.5 | 2.5 | mA | Conditions are $V_{DD} = 3.0\text{ V}$, $T_A = 25\text{ °C}$, CPU = 12 MHz. |
| I_{DD6} | Supply current, IMO = 6 MHz | - | 1 | 1.5 | mA | Conditions are $V_{DD} = 3.0\text{ V}$, $T_A = 25\text{ °C}$, CPU = 6 MHz |
| I_{SB27} | Sleep (mode) current with POR, LVD, Sleep timer, WDT, and internal slow oscillator active. Mid temperature range. | - | 2.6 | 4 | μA | $V_{DD} = 2.55\text{ V}$, $0\text{ °C} \leq T_A \leq 40\text{ °C}$ |
| I_{SB} | Sleep (mode) current with POR, LVD, Sleep timer, WDT, and internal slow oscillator active. | - | 2.8 | 5 | μA | $V_{DD} = 3.3\text{ V}$, $-40\text{ °C} \leq T_A \leq 85\text{ °C}$ |

DC GPIO Specifications

Unless otherwise noted, [Table 13](#) lists the guaranteed maximum and minimum specifications for the voltage and temperature ranges: 4.75 V to 5.25 V and $-40\text{ °C} \leq T_A \leq 85\text{ °C}$, 3.0 V to 3.6 V and $-40\text{ °C} \leq T_A \leq 85\text{ °C}$, or [Table 14](#) for 2.4 V to 3.0 V and $-40\text{ °C} \leq T_A \leq 85\text{ °C}$, respectively. Typical parameters apply to 5 V, 3.3 V, and 2.7 V at 25 °C. These are for design guidance only.

Table 13. 5-V and 3.3-V DC GPIO Specifications

| Symbol | Description | Min | Typ | Max | Units | Notes |
|-----------|---|----------------|-----|-----|-------|--|
| R_{PU} | Pull-up resistor | 4 | 5.6 | 8 | kΩ | |
| V_{OH1} | High output voltage Port 0, 2, or 3 pins | $V_{DD} - 0.2$ | - | - | V | $I_{OH} \leq 10\text{ μA}$, $V_{DD} \geq 3.0\text{ V}$, maximum of 20 mA source current in all I/Os. |
| V_{OH2} | High output voltage Port 0, 2, or 3 pins | $V_{DD} - 0.9$ | - | - | V | $I_{OH} = 1\text{ mA}$, $V_{DD} \geq 3.0\text{ V}$, maximum of 20 mA source current in all I/Os. |
| V_{OH3} | High output voltage Port 1 pins with LDO regulator disabled | $V_{DD} - 0.2$ | - | - | V | $I_{OH} < 10\text{ μA}$, $V_{DD} \geq 3.0\text{ V}$, maximum of 10 mA source current in all I/Os. |
| V_{OH4} | High output voltage Port 1 pins with LDO regulator disabled | $V_{DD} - 0.9$ | - | - | V | $I_{OH} = 5\text{ mA}$, $V_{DD} \geq 3.0\text{ V}$, maximum of 20 mA source current in all I/Os. |
| V_{OH5} | High output voltage Port 1 pins with 3.0 V LDO regulator enabled | 2.7 | 3.0 | 3.3 | V | $I_{OH} < 10\text{ μA}$, $V_{DD} \geq 3.1\text{ V}$, maximum of 4 I/Os all sourcing 5 mA. |
| V_{OH6} | High output voltage Port 1 pins with 3.0 V LDO regulator enabled | 2.2 | - | - | V | $I_{OH} = 5\text{ mA}$, $V_{DD} \geq 3.1\text{ V}$, maximum of 20 mA source current in all I/Os. |
| V_{OH7} | High output voltage Port 1 pins with 2.4 V LDO regulator enabled | 2.1 | 2.4 | 2.7 | V | $I_{OH} < 10\text{ μA}$, $V_{DD} \geq 3.0\text{ V}$, maximum of 20 mA source current in all I/Os. |


Table 13. 5-V and 3.3-V DC GPIO Specifications

| Symbol | Description | Min | Typ | Max | Units | Notes |
|-------------------|---|-----|-----|------|-------|--|
| V _{OH8} | High output voltage Port 1 pins with 2.4 V LDO regulator enabled | 2.0 | – | – | V | I _{OH} < 200 μA, V _{DD} ≥ 3.0 V, maximum of 20 mA source current in all I/Os. |
| V _{OH9} | High output voltage Port 1 pins with 1.8 V LDO regulator enabled | 1.6 | 1.8 | 2.0 | V | I _{OH} < 10 μA 3.0V ≤ V _{DD} ≤ 3.6 V 0 °C ≤ T _A ≤ 85 °C Maximum of 20 mA source current in all I/Os. |
| V _{OH10} | High output voltage Port 1 pins with 1.8 V LDO regulator enabled | 1.5 | – | – | V | I _{OH} < 100 μA. 3.0V ≤ V _{DD} ≤ 3.6 V. 0 °C ≤ T _A ≤ 85 °C. Maximum of 20 mA source current in all I/Os. |
| V _{OL} | Low output voltage | – | – | 0.75 | V | I _{OL} = 20 mA, V _{DD} > 3.0 V, maximum of 60 mA sink current on even port pins (for example, P0[2] and P1[4]) and 60 mA sink current on odd port pins (for example, P0[3] and P1[5]). |
| I _{OH} | High level source current | – | – | 20 | mA | V _{OH} = V _{DD} – 0.9. See the limitations of the total current in the Notes for V _{OH} . |
| I _{OH2} | High level source current port 0, 2, or 3 pins | 1 | – | – | mA | V _{OH} = V _{DD} – 0.9, for the limitations of the total current and I _{OH} at other V _{OH} levels, see the Notes for V _{OH} . |
| I _{OH4} | High level source current port 1 Pins with LDO regulator disabled | 5 | – | – | mA | V _{OH} = V _{DD} – 0.9, for the limitations of the total current and I _{OH} at other V _{OH} levels, see the Notes for V _{OH} . |
| I _{OL} | Low level sink current | 20 | – | – | mA | V _{OL} = 0.75 V, see the limitations of the total current in the Notes for V _{OL} . |
| V _{IL} | Input low voltage | – | – | 0.8 | V | 3.6 V ≤ V _{DD} ≤ 5.25 V |
| V _{IH} | Input high voltage | 2.0 | – | – | V | 3.6 V ≤ V _{DD} ≤ 5.25 V |
| V _H | Input hysteresis voltage | – | 140 | – | mV | |
| I _{IL} | Input leakage (absolute value) | – | 1 | – | nA | Gross tested to 1 μA |
| C _{IN} | Capacitive load on pins as input | 0.5 | 1.7 | 5 | pF | Package and pin dependent Temperature = 25 °C |
| C _{OUT} | Capacitive load on pins as output | 0.5 | 1.7 | 5 | pF | Package and pin dependent Temperature = 25 °C |


Table 14. 2.7-V DC GPIO Specifications

| Symbol | Description | Min | Typ | Max | Units | Notes |
|-------------------|---|-----------------------|-----|------|------------|--|
| R _{PU} | Pull-up resistor | 4 | 5.6 | 8 | k Ω | |
| V _{OH1} | High output voltage Port 1 pins with LDO regulator disabled | V _{DD} - 0.2 | - | - | V | I _{OH} < 10 μ A, maximum of 10 mA source current in all I/Os. |
| V _{OH2} | High output voltage Port 1 pins with LDO regulator disabled | V _{DD} - 0.5 | - | - | V | I _{OH} = 2 mA, maximum of 10 mA source current in all I/Os. |
| V _{OL} | Low output voltage | - | - | 0.75 | V | I _{OL} = 10 mA, maximum of 30 mA sink current on even port pins (for example, P0[2] and P1[4]) and 30 mA sink current on odd port pins (for example, P0[3] and P1[5]). |
| I _{OH2} | High level source current port 1 Pins with LDO regulator disabled | 2 | - | - | mA | V _{OH} = V _{DD} - 0.5, for the limitations of the total current and I _{OH} at other V _{OH} levels see the notes for V _{OH} . |
| I _{OL} | Low level sink current | 10 | - | - | mA | V _{OH} = .75 V, see the limitations of the total current in the note for V _{OL} |
| V _{OLP1} | Low output voltage port 1 pins | - | - | 0.4 | V | I _{OL} = 5 mA Maximum of 50 mA sink current on even port pins (for example, P0[2] and P3[4]) and 50 mA sink current on odd port pins (for example, P0[3] and P2[5]). 2.4 V \leq V _{DD} < 3.6 V |
| V _{IL} | Input low voltage | - | - | 0.75 | V | 2.4 V \leq V _{DD} < 3.6 V |
| V _{IH1} | Input high voltage | 1.4 | - | - | V | 2.4 V \leq V _{DD} < 2.7 V |
| V _{IH2} | Input high voltage | 1.6 | - | - | V | 2.7 V \leq V _{DD} < 3.6 V |
| V _H | Input hysteresis voltage | - | 60 | - | mV | |
| I _{IL} | Input leakage (absolute value) | - | 1 | - | nA | Gross tested to 1 μ A |
| C _{IN} | Capacitive load on pins as input | 0.5 | 1.7 | 5 | pF | Package and pin dependent Temperature = 25 $^{\circ}$ C |
| C _{OUT} | Capacitive load on pins as output | 0.5 | 1.7 | 5 | pF | Package and pin dependent Temperature = 25 $^{\circ}$ C |

DC Analog Mux Bus Specifications

Table 15 lists the guaranteed maximum and minimum specifications for the voltage and temperature ranges: 4.75 V to 5.25 V and -40 $^{\circ}$ C \leq T_A \leq 85 $^{\circ}$ C, 3.0 V to 3.6 V and -40 $^{\circ}$ C \leq T_A \leq 85 $^{\circ}$ C, or 2.4 V to 3.0 V and -40 $^{\circ}$ C \leq T_A \leq 85 $^{\circ}$ C, respectively. Typical parameters apply to 5 V, 3.3 V, or 2.7 V at 25 $^{\circ}$ C. These are for design guidance only.

Table 15. DC Analog Mux Bus Specifications

| Symbol | Description | Min | Typ | Max | Units | Notes |
|-----------------|--|-----|-----|------------|----------------------|---|
| R _{SW} | Switch resistance to common analog bus | - | - | 400 800 | Ω Ω | V _{DD} \geq 2.7 V 2.4 V \leq V _{DD} \leq 2.7 V |



CY8C20134/CY8C20234/CY8C20334
CY8C20434/CY8C20534/CY8C20634

DC POR and LVD Specifications

Table 16 lists the guaranteed maximum and minimum specifications for the voltage and temperature ranges: 4.75 V to 5.25 V and $-40\text{ }^{\circ}\text{C} \leq T_A \leq 85\text{ }^{\circ}\text{C}$, 3.0 V to 3.6 V and $-40\text{ }^{\circ}\text{C} \leq T_A \leq 85\text{ }^{\circ}\text{C}$, or 2.4 V to 3.0 V and $-40\text{ }^{\circ}\text{C} \leq T_A \leq 85\text{ }^{\circ}\text{C}$, respectively.

Typical parameters apply to 5 V, 3.3 V, or 2.7 V at 25 °C. These are for design guidance only.

Table 16. DC POR and LVD Specifications

| Symbol | Description | Min | Typ | Max | Units | Notes |
|-------------|---|------|------|----------------------|-------|---|
| V_{PPOR0} | V_{DD} value for PPOR trip PORLEV[1:0] = 00b | – | 2.36 | 2.40 | V | V_{DD} is greater than or equal to 2.5 V during startup, reset from the XRES pin, or reset from watchdog. |
| V_{PPOR1} | PORLEV[1:0] = 01b | – | 2.60 | 2.65 | V | |
| V_{PPOR2} | PORLEV[1:0] = 10b | – | 2.82 | 2.95 | V | |
| V_{LVD0} | V_{DD} value for LVD trip VM[2:0] = 000b | 2.39 | 2.45 | 2.51 ^[17] | V | |
| V_{LVD1} | VM[2:0] = 001b | 2.54 | 2.71 | 2.78 ^[18] | V | |
| V_{LVD2} | VM[2:0] = 010b | 2.75 | 2.92 | 2.99 ^[19] | V | |
| V_{LVD3} | VM[2:0] = 011b | 2.85 | 3.02 | 3.09 | V | |
| V_{LVD4} | VM[2:0] = 100b | 2.96 | 3.13 | 3.20 | V | |
| V_{LVD5} | VM[2:0] = 101b | – | – | – | V | |
| V_{LVD6} | VM[2:0] = 110b | – | – | – | V | |
| V_{LVD7} | VM[2:0] = 111b | 4.52 | 4.73 | 4.83 | V | |

Notes

17. Always greater than 50 mV above V_{PPOR} (PORLEV = 00) for falling supply.
18. Always greater than 50 mV above V_{PPOR} (PORLEV = 01) for falling supply.
19. Always greater than 50 mV above V_{PPOR} (PORLEV = 10) for falling supply.



DC Programming Specifications

Table 17 lists the guaranteed minimum and maximum specifications for the voltage and temperature ranges: 4.75 V to 5.25 V and $-40\text{ }^{\circ}\text{C} \leq T_A \leq 85\text{ }^{\circ}\text{C}$, 3.0 V to 3.6 V and $-40\text{ }^{\circ}\text{C} \leq T_A \leq 85\text{ }^{\circ}\text{C}$, or 2.4 V to 3.0 V and $-40\text{ }^{\circ}\text{C} \leq T_A \leq 85\text{ }^{\circ}\text{C}$, respectively. Typical parameters apply to 5 V, 3.3 V, or 2.7 V at 25 °C. These are for design guidance only. Flash endurance and retention specifications with the use of the EEPROM User Module are valid only within the range: 25 °C \pm 20°C during the Flash Write operation. Reference the EEPROM User Module datasheet instructions for EEPROM flash write requirements outside of the 25 °C \pm 20 °C temperature window.

Table 17. DC Programming Specifications

| Symbol | Description | Min | Typ | Max | Units | Notes |
|-----------------------|---|------------------------|-----|------------------------|-------|--|
| V _{DDP} | V _{DD} for programming and erase | 4.5 | 5 | 5.5 | V | This specification applies to the functional requirements of external programmer tools |
| V _{DDL} | Low V _{DD} for verify | 2.4 | 2.5 | 2.6 | V | This specification applies to the functional requirements of external programmer tools |
| V _{DDH} | High V _{DD} for verify | 5.1 | 5.2 | 5.3 | V | This specification applies to the functional requirements of external programmer tools |
| V _{DDIWRITE} | Supply voltage for flash write operation | 2.7 | – | 5.25 | V | This specification applies to this device when it is executing internal flash writes |
| I _{DDP} | Supply current during programming or verify | – | 5 | 25 | mA | |
| V _{ILP} | Input low voltage during programming or verify | – | – | 0.8 | V | |
| V _{IHP} | Input high voltage during programming or verify | 2.2 | – | – | V | |
| I _{ILP} | Input current when applying V _{ILP} to P1[0] or P1[1] during programming or verify | – | – | 0.2 | mA | Driving internal pull-down resistor. |
| I _{IHP} | Input current when applying V _{IHP} to P1[0] or P1[1] during programming or verify | – | – | 1.5 | mA | Driving internal pull-down resistor. |
| V _{OLV} | Output low voltage during programming or verify | – | – | V _{SS} + 0.75 | V | |
| V _{OHV} | Output high voltage during programming or verify | V _{DD} – 1.0 | – | V _{DD} | V | |
| Flash _{ENPB} | Flash endurance (per block) | 50,000 ^[21] | – | – | – | Erase/write cycles per block. |
| Flash _{ENT} | Flash endurance (total) ^[20] | 1,800,000 | – | – | – | Erase/write cycles. |
| Flash _{DR} | Flash data retention | 10 | – | – | Years | |

Notes

20. A maximum of 36 × 50,000 block endurance cycles is allowed. This is balanced between operations on 36 × 1 blocks of 50,000 maximum cycles each, 36 × 2 blocks of 25,000 maximum cycles each, or 36 × 4 blocks of 12,500 maximum cycles each (to limit the total number of cycles to 36 × 50,000 and that no single block ever sees more than 50,000 cycles).

21. The 50,000 cycle flash endurance per block is only guaranteed if the flash is operating within one voltage range. Voltage ranges are 2.4 V to 3.0 V, 3.0 V to 3.6 V and 4.75 V to 5.25 V.



CY8C20134/CY8C20234/CY8C20334 CY8C20434/CY8C20534/CY8C20634

DC I²C Specifications

Table 18 lists the guaranteed minimum and maximum specifications for the voltage and temperature ranges: 4.75 V to 5.25 V and $-40\text{ }^{\circ}\text{C} \leq T_A \leq 85\text{ }^{\circ}\text{C}$, 3.0V to 3.6 V and $-40\text{ }^{\circ}\text{C} \leq T_A \leq 85\text{ }^{\circ}\text{C}$, or 2.4 V to 3.0 V and $-40\text{ }^{\circ}\text{C} \leq T_A \leq 85\text{ }^{\circ}\text{C}$, respectively. Typical parameters apply to 5 V, 3.3 V, or 2.7 V at 25 °C. These are for design guidance only. Flash endurance and retention specifications with the use of the EEPROM user module are valid only within the range: 25 °C +/-20C during the Flash Write operation. Reference the EEPROM User Module datasheet instructions for EEPROM flash Write requirements outside of the 25 °C +/-20 °C temperature window.

Table 18. DC I²C Specifications^[22]

| Symbol | Description | Min | Typ | Max | Units | Notes |
|---------------------|------------------|---------------------|-----|----------------------|-------|--|
| V _{IL} I2C | Input low level | – | – | $0.3 \times V_{DD}$ | V | $2.4\text{ V} \leq V_{DD} \leq 3.6\text{ V}$ |
| | | – | – | $0.25 \times V_{DD}$ | V | $4.75\text{ V} \leq V_{DD} \leq 5.25\text{ V}$ |
| V _{IH} I2C | Input high level | $0.7 \times V_{DD}$ | – | – | V | $2.4\text{ V} \leq V_{DD} \leq 5.25\text{ V}$ |

AC Electrical Characteristics

AC Chip Level Specifications

Table 19, Table 20, and Table 21 list the guaranteed maximum and minimum specifications for the voltage and temperature ranges: 4.75 V to 5.25 V and $-40\text{ }^{\circ}\text{C} \leq T_A \leq 85\text{ }^{\circ}\text{C}$, 3.0 V to 3.6 V and $-40\text{ }^{\circ}\text{C} \leq T_A \leq 85\text{ }^{\circ}\text{C}$, or 2.4 V to 3.0 V and $-40\text{ }^{\circ}\text{C} \leq T_A \leq 85\text{ }^{\circ}\text{C}$ respectively. Typical parameters apply to 5 V, 3.3 V, or 2.7 V at 25 °C. These are for design guidance only.

Table 19. 5-V and 3.3-V AC Chip-Level Specifications

| Symbol | Description | Min | Typ | Max | Units | Notes |
|--------------------------------------|--|------|-----|------|-------|--|
| F _{CPU1} | CPU frequency (3.3 V nominal) | 0.75 | – | 12.6 | MHz | 12 MHz only for SLIMO Mode = 0. |
| F _{32K1} | Internal low speed oscillator frequency | 15 | 32 | 64 | kHz | |
| F _{32K_U} | Internal low speed oscillator (ILO) untrimmed frequency | 5 | – | 100 | kHz | After a reset and before the M8C starts to run, the ILO is not trimmed. See the System Resets section of the PSoC Technical Reference Manual for details on this timing. |
| F _{IMO12} | Internal main oscillator stability for 12 MHz (commercial temperature) ^[23] | 11.4 | 12 | 12.6 | MHz | Trimmed for 3.3 V operation using factory trim values. See Figure 11 on page 19 , SLIMO mode = 0. |
| F _{IMO6} | Internal main oscillator stability for 6 MHz (commercial temperature) | 5.5 | 6.0 | 6.5 | MHz | Trimmed for 3.3 V operation using factory trim values. See Figure 11 on page 19 , SLIMO mode = 1. |
| DC _{IMO} | Duty cycle of IMO | 40 | 50 | 60 | % | |
| DC _{ILO} | Internal low speed oscillator duty cycle | 20 | 50 | 80 | % | |
| t _{XRST} | External reset pulse width | 10 | – | – | μs | |
| t _{POWERUP} | Time from end of POR to CPU executing code | – | 16 | 100 | ms | Power-up from 0 V. See the System Resets section of the PSoC Technical Reference Manual . |
| SR _{POWER UP} | Power supply slew rate | – | – | 250 | V/ms | |
| t _{jit_IMO} ^[24] | 12 MHz IMO cycle-to-cycle jitter (RMS) | – | 200 | 1600 | ps | |
| | 12 MHz IMO long term N cycle-to-cycle jitter (RMS) | – | 600 | 1400 | ps | N = 32 |
| | 12 MHz IMO period jitter (RMS) | – | 100 | 900 | ps | |

Notes

22. All GPIO meet the DC GPIO V_{IL} and V_{IH} specifications found in the DC GPIO Specifications sections. The I²C GPIO pins also meet the above specs.

23. 0 to 70 °C ambient, V_{DD} = 3.3 V.

24. Refer to [Cypress Jitter Specifications Application Note – AN5054](#) at <http://www.cypress.com> for more information.


Table 20. 2.7-V AC Chip Level Specifications

| Symbol | Description | Min | Typ | Max | Units | Notes |
|--------------------------------------|---|------|-----|------|-------|--|
| F _{CPU1} | CPU Frequency (2.7 V nominal) | 0.75 | – | 3.25 | MHz | SLIMO mode = 0 |
| F _{32K1} | Internal low speed oscillator frequency | 8 | 32 | 96 | kHz | |
| F _{32K_U} | Internal low speed oscillator (ILO) untrimmed frequency | 5 | – | 100 | kHz | After a reset and before the M8C starts to run, the ILO is not trimmed. See the System Resets section of the PSoC Technical Reference Manual for details on this timing. |
| F _{IMO12} | IMO stability for 12 MHz (commercial temperature) ^[25] | 11.0 | 12 | 12.9 | MHz | Trimmed for 2.7 V operation using factory trim values. See Figure 11 on page 19 , SLIMO mode = 0. |
| F _{IMO6} | IMO stability for 6 MHz (commercial temperature) | 5.5 | 6.0 | 6.5 | MHz | Trimmed for 2.7 V operation using factory trim values. See Figure 11 on page 19 , SLIMO mode = 1. |
| DC _{IMO} | Duty cycle of IMO | 40 | 50 | 60 | % | |
| DC _{ILO} | Internal low speed oscillator duty cycle | 20 | 50 | 80 | % | |
| t _{XRST} | External reset pulse width | 10 | – | – | μs | |
| t _{POWERUP} | Time from end of POR to CPU executing code | – | 16 | 100 | ms | Power-up from 0 V. See the System Resets section of the PSoC Technical Reference Manual |
| SR _{POWER_UP} | Power supply slew rate | – | – | 250 | V/ms | |
| t _{JIT_IMO} ^[26] | 12 MHz IMO cycle-to-cycle jitter (RMS) | – | 500 | 900 | ps | |
| | 12 MHz IMO long term N cycle-to-cycle jitter (RMS) | – | 800 | 1400 | ps | N = 32 |
| | 12 MHz IMO period jitter (RMS) | – | 300 | 500 | ps | |

Notes

 25. 0 °C to 70 °C ambient, V_{DD} = 3.3 V.

 26. Refer to [Cypress Jitter Specifications Application Note – AN5054](http://www.cypress.com) at <http://www.cypress.com> for more information.



CY8C20134/CY8C20234/CY8C20334 CY8C20434/CY8C20534/CY8C20634

AC GPIO Specifications

Table 21 and Table 22 list the guaranteed maximum and minimum specifications for the voltage and temperature ranges: 4.75 V to 5.25 V and $-40\text{ }^{\circ}\text{C} \leq T_A \leq 85\text{ }^{\circ}\text{C}$, 3.0 V to 3.6 V and $-40\text{ }^{\circ}\text{C} \leq T_A \leq 85\text{ }^{\circ}\text{C}$, or 2.4 V to 3.0 V and $-40\text{ }^{\circ}\text{C} \leq T_A \leq 85\text{ }^{\circ}\text{C}$ respectively. Typical parameters apply to 5 V, 3.3 V, or 2.7 V at 25 °C. These are for design guidance only.

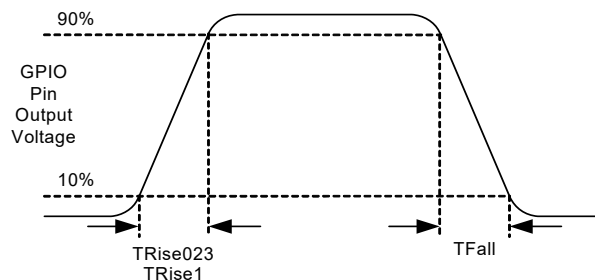
Table 21. 5-V and 3.3-V AC GPIO Specifications

| Symbol | Description | Min | Typ | Max | Units | Notes |
|----------------------|---|-----|-----|-----|-------|---|
| F_{GPIO} | GPIO operating frequency | 0 | – | 6 | MHz | Normal strong mode, port 1. |
| t_{RISE023} | Rise time, strong mode, Cload = 50 pF ports 0, 2, 3 | 15 | – | 80 | ns | $V_{\text{DD}} = 3.0$ to 3.6 V and 4.75 V to 5.25 V, 10% to 90% |
| t_{RISE1} | Rise time, strong mode, Cload = 50 pF port 1 | 10 | – | 50 | ns | $V_{\text{DD}} = 3.0$ V to 3.6 V, 10% to 90% |
| t_{FALL} | Fall time, strong mode, Cload = 50 pF all ports | 10 | – | 50 | ns | $V_{\text{DD}} = 3.0$ V to 3.6 V and 4.75 V to 5.25 V, 10% to 90% |

Table 22. 2.7-V AC GPIO Specifications

| Symbol | Description | Min | Typ | Max | Units | Notes |
|----------------------|---|-----|-----|-----|-------|--|
| F_{GPIO} | GPIO operating frequency | 0 | – | 1.5 | MHz | Normal strong mode, port 1. |
| t_{RISE023} | Rise time, strong mode, Cload = 50 pF ports 0, 2, 3 | 15 | – | 100 | ns | $V_{\text{DD}} = 2.4$ V to 3.0 V, 10% to 90% |
| t_{RISE1} | Rise time, strong mode, Cload = 50 pF port 1 | 10 | – | 70 | ns | $V_{\text{DD}} = 2.4$ V to 3.0 V, 10% to 90% |
| t_{FALL} | Fall time, strong mode, Cload = 50 pF all Ports | 10 | – | 70 | ns | $V_{\text{DD}} = 2.4$ V to 3.0 V, 10% to 90% |

Figure 12. GPIO Timing Diagram



AC Comparator Specifications

Table 23 lists the guaranteed maximum and minimum specifications for the voltage and temperature ranges: 4.75 V to 5.25 V and $-40\text{ }^{\circ}\text{C} \leq T_A \leq 85\text{ }^{\circ}\text{C}$, 3.0 V to 3.6 V and $-40\text{ }^{\circ}\text{C} \leq T_A \leq 85\text{ }^{\circ}\text{C}$, or 2.4 V to 3.0 V and $-40\text{ }^{\circ}\text{C} \leq T_A \leq 85\text{ }^{\circ}\text{C}$, respectively. Typical parameters apply to 5 V, 3.3 V, or 2.7 V at 25 °C. These are for design guidance only.

Table 23. AC Comparator Specifications

| Symbol | Description | Min | Typ | Max | Units | Notes |
|-------------------|---|-----|-----|------------|----------|--|
| t_{COMP} | Comparator response time, 50 mV overdrive | – | – | 100 200 | ns ns | $V_{\text{DD}} \geq 3.0$ V. $2.4\text{ V} < V_{\text{CC}} < 3.0$ V. |



CY8C20134/CY8C20234/CY8C20334
CY8C20434/CY8C20534/CY8C20634

AC External Clock Specifications

Table 24, Table 25, Table 26, and Table 27 list the guaranteed maximum and minimum specifications for the voltage and temperature ranges: 4.75 V to 5.25 V and $-40\text{ }^{\circ}\text{C} \leq T_A \leq 85\text{ }^{\circ}\text{C}$, 3.0 V to 3.6 V and $-40\text{ }^{\circ}\text{C} \leq T_A \leq 85\text{ }^{\circ}\text{C}$, or 2.4 V to 3.0 V and $-40\text{ }^{\circ}\text{C} \leq T_A \leq 85\text{ }^{\circ}\text{C}$, respectively. Typical parameters apply to 5 V, 3.3 V, or 2.7 V at 25 °C. These are for design guidance only.

Table 24. 5-V AC External Clock Specifications

| Symbol | Description | Min | Typ | Max | Units | Notes |
|---------------------|------------------------|-------|-----|------|-------|-------|
| F _{OSCEXT} | Frequency | 0.750 | – | 12.6 | MHz | |
| – | High period | 38 | – | 5300 | ns | |
| – | Low period | 38 | – | – | ns | |
| – | Power-up IMO to switch | 150 | – | – | μs | |

Table 25. 3.3-V AC External Clock Specifications

| Symbol | Description | Min | Typ | Max | Units | Notes |
|---------------------|--|-------|-----|------|-------|---|
| F _{OSCEXT} | Frequency with CPU clock divide by 1 | 0.750 | – | 12.6 | MHz | Maximum CPU frequency is 12 MHz at 3.3 V. With the CPU clock divider set to 1, the external clock must adhere to the maximum frequency and duty cycle requirements. |
| – | High period with CPU clock divide by 1 | 41.7 | – | 5300 | ns | |
| – | Low period with CPU clock divide by 1 | 41.7 | – | – | ns | |
| – | Power-up IMO to switch | 150 | – | – | μs | |

Table 26. 2.7-V (Nominal) AC External Clock Specifications

| Symbol | Description | Min | Typ | Max | Units | Notes |
|---------------------|---|-------|-----|------|-------|---|
| F _{OSCEXT} | Frequency with CPU clock divide by 1 | 0.750 | – | 3.08 | MHz | Maximum CPU frequency is 3 MHz at 2.7 V. With the CPU clock divider set to 1, the external clock must adhere to the maximum frequency and duty cycle requirements. |
| F _{OSCEXT} | Frequency with CPU clock divide by 2 or greater | 0.15 | – | 6.35 | MHz | If the frequency of the external clock is greater than 3 MHz, the CPU clock divider is set to 2 or greater. In this case, the CPU clock divider ensures that the fifty percent duty cycle requirement is met. |
| – | High period with CPU clock divide by 1 | 160 | – | 5300 | ns | |
| – | Low period with CPU clock divide by 1 | 160 | – | – | ns | |
| – | Power-up IMO to switch | 150 | – | – | μs | |

Table 27. 2.7-V (Minimum) AC External Clock Specifications

| Symbol | Description | Min | Typ | Max | Units | Notes |
|---------------------|---|-------|-----|------|-------|---|
| F _{OSCEXT} | Frequency with CPU clock divide by 1 | 0.750 | – | 6.3 | MHz | Maximum CPU frequency is 6 MHz at 2.7 V. With the CPU clock divider set to 1, the external clock must adhere to the maximum frequency and duty cycle requirements. |
| F _{OSCEXT} | Frequency with CPU clock divide by 2 or greater | 0.15 | – | 12.6 | MHz | If the frequency of the external clock is greater than 6 MHz, the CPU clock divider is set to 2 or greater. In this case, the CPU clock divider ensures that the fifty percent duty cycle requirement is met. |
| – | High period with CPU clock divide by 1 | 160 | – | 5300 | ns | |
| – | Low period with CPU clock divide by 1 | 160 | – | – | ns | |
| – | Power-up IMO to switch | 150 | – | – | μs | |



CY8C20134/CY8C20234/CY8C20334 CY8C20434/CY8C20534/CY8C20634

AC Programming Specifications

Table 28 lists the guaranteed maximum and minimum specifications for the voltage and temperature ranges: 4.75 V to 5.25 V and $-40\text{ }^{\circ}\text{C} \leq T_A \leq 85\text{ }^{\circ}\text{C}$, 3.0 V to 3.6 V and $-40\text{ }^{\circ}\text{C} \leq T_A \leq 85\text{ }^{\circ}\text{C}$, or 2.4 V to 3.0 V and $-40\text{ }^{\circ}\text{C} \leq T_A \leq 85\text{ }^{\circ}\text{C}$ respectively. Typical parameters apply to 5 V, 3.3 V, or 2.7 V at 25 °C. These are for design guidance only.

Table 28. AC Programming Specifications

| Symbol | Description | Min | Typ | Max | Units | Notes |
|---------------------|--|-----|-----|-----|-------|---|
| t_{RSCLK} | Rise time of SCLK | 1 | – | 20 | ns | |
| t_{FSCLK} | Fall time of SCLK | 1 | – | 20 | ns | |
| t_{SSCLK} | Data setup time to falling edge of SCLK | 40 | – | – | ns | |
| t_{HSCLK} | Data hold time from falling edge of SCLK | 40 | – | – | ns | |
| F_{SCLK} | Frequency of SCLK | 0 | – | 8 | MHz | |
| t_{ERASEB} | Flash erase time (Block) | – | 10 | – | ms | |
| t_{WRITE} | Flash block write time | – | 40 | – | ms | |
| t_{DSCLK} | Data out delay from falling edge of SCLK | – | – | 45 | ns | $3.6 < V_{DD}$ |
| t_{DSCLK3} | Data out delay from falling edge of SCLK | – | – | 50 | ns | $3.0 \leq V_{DD} \leq 3.6$ |
| t_{DSCLK2} | Data out delay from falling edge of SCLK | – | – | 70 | ns | $2.4 \leq V_{DD} \leq 3.0$ |
| $t_{ERASEALL}$ | Flash erase time (Bulk) | – | 20 | – | ms | Erase all blocks and protection fields at once |
| $t_{PROGRAM_HOT}$ | Flash block erase + flash block write time | – | – | 100 | ms | $0\text{ }^{\circ}\text{C} \leq T_j \leq 100\text{ }^{\circ}\text{C}$ |
| $t_{PROGRAM_COLD}$ | Flash block erase + flash block write time | – | – | 200 | ms | $-40\text{ }^{\circ}\text{C} \leq T_j \leq 0\text{ }^{\circ}\text{C}$ |

AC I²C Specifications

Table 29 and Table 30 list the guaranteed maximum and minimum specifications for the voltage and temperature ranges: 4.75 V to 5.25 V and $-40\text{ }^{\circ}\text{C} \leq T_A \leq 85\text{ }^{\circ}\text{C}$, 3.0 V to 3.6 V and $-40\text{ }^{\circ}\text{C} \leq T_A \leq 85\text{ }^{\circ}\text{C}$, or 2.4 V to 3.0 V and $-40\text{ }^{\circ}\text{C} \leq T_A \leq 85\text{ }^{\circ}\text{C}$ respectively. Typical parameters apply to 5 V, 3.3 V, or 2.7 V at 25 °C. These are for design guidance only.

Table 29. AC Characteristics of the I²C SDA and SCL Pins for $V_{DD} \geq 3.0\text{ V}$

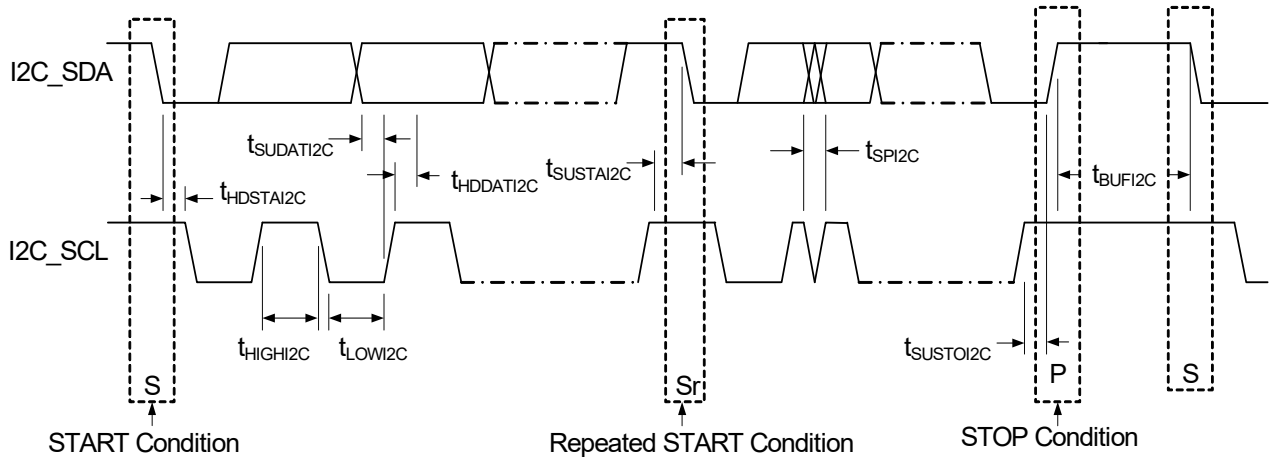
| Symbol | Description | Standard Mode | | Fast Mode | | Units |
|----------------|---|---------------|-----|---------------------|-----|---------------|
| | | Min | Max | Min | Max | |
| F_{SCLi2C} | SCL clock frequency | 0 | 100 | 0 | 400 | kHz |
| $t_{HDSTAI2C}$ | Hold time (repeated) START condition. After this period, the first clock pulse is generated | 4.0 | – | 0.6 | – | μs |
| t_{LOWI2C} | LOW period of the SCL clock | 4.7 | – | 1.3 | – | μs |
| $t_{HIGHI2C}$ | HIGH period of the SCL clock | 4.0 | – | 0.6 | – | μs |
| $t_{SUSTAI2C}$ | Setup time for a repeated START condition | 4.7 | – | 0.6 | – | μs |
| $t_{HDDATI2C}$ | Data hold time | 0 | – | 0 | – | μs |
| $t_{SUDATI2C}$ | Data setup time | 250 | – | 100 ^[27] | – | ns |
| $t_{SUSTOI2C}$ | Setup time for STOP condition | 4.0 | – | 0.6 | – | μs |
| t_{BUFI2C} | Bus free time between a STOP and START condition | 4.7 | – | 1.3 | – | μs |
| t_{SPI2C} | Pulse width of spikes are suppressed by the input filter | – | – | 0 | 50 | ns |

Note

27. A Fast Mode I²C bus device is used in a Standard Mode I²C bus system but the requirement $t_{SU}; \text{DAT} \geq 250\text{ ns}$ is met. This automatically is the case if the device does not stretch the LOW period of the SCL signal. If such device does stretch the LOW period of the SCL signal, it must output the next data bit to the SDA line $t_{\text{max}} + t_{\text{SU}}; \text{DAT} = 1000 + 250 = 1250\text{ ns}$ (according to the Standard Mode I²C bus specification) before the SCL line is released.


Table 30. 2.7-V AC Characteristics of the I²C SDA and SCL Pins (Fast Mode not Supported)

| Symbol | Description | Standard Mode | | Fast Mode | | Units |
|----------------|---|---------------|-----|-----------|-----|---------|
| | | Min | Max | Min | Max | |
| $F_{SCL I2C}$ | SCL clock frequency | 0 | 100 | – | – | kHz |
| $t_{HDSTAI2C}$ | Hold time (repeated) START condition. After this period, the first clock pulse is generated | 4.0 | – | – | – | μ s |
| t_{LOWI2C} | LOW period of the SCL clock | 4.7 | – | – | – | μ s |
| $t_{HIGHI2C}$ | HIGH period of the SCL clock | 4.0 | – | – | – | μ s |
| $t_{SUSTAI2C}$ | Setup time for a repeated start condition | 4.7 | – | – | – | μ s |
| $t_{HDDATI2C}$ | Data hold time | 0 | – | – | – | μ s |
| $t_{SUDATI2C}$ | Data setup time | 250 | – | – | – | ns |
| $t_{SUSTOI2C}$ | Setup time for STOP condition | 4.0 | – | – | – | μ s |
| t_{BUFI2C} | Bus free time between a STOP and START condition | 4.7 | – | – | – | μ s |
| t_{SPI2C} | Pulse width of spikes are suppressed by the input filter | – | – | – | – | ns |

Figure 13. Definition for Timing for Fast/Standard Mode on the I²C Bus




AC SPI Specifications

Table 31 and Table 32 list the guaranteed maximum and minimum specifications for the voltage and temperature ranges: 4.75 V to 5.25 V and $-40\text{ }^{\circ}\text{C} \leq T_A \leq 85\text{ }^{\circ}\text{C}$, 3.0 V to 3.6 V and $-40\text{ }^{\circ}\text{C} \leq T_A \leq 85\text{ }^{\circ}\text{C}$, or 2.4 V to 3.0 V and $-40\text{ }^{\circ}\text{C} \leq T_A \leq 85\text{ }^{\circ}\text{C}$ respectively. Typical parameters apply to 5 V, 3.3 V, or 2.7 V at 25 °C. These are for design guidance only.

Table 31. SPI Master AC Specifications

| Symbol | Parameter | Conditions | Min | Typ | Max | Units |
|-----------------------|-------------------------|------------|-----|-----|-----|-------|
| F_{SCLK} | SCLK clock frequency | – | – | – | 12 | MHz |
| DC_{SCLK} | SCLK duty cycle | – | – | 50 | – | % |
| t_{SETUP} | MISO to SCLK setup time | – | 40 | – | – | ns |
| t_{HOLD} | SCLK to MISO hold time | – | 40 | – | – | ns |
| $t_{\text{OUT_VAL}}$ | SCLK to MOSI valid time | – | – | – | 40 | ns |
| $t_{\text{OUT_H}}$ | MOSI high time | – | 40 | – | – | ns |

Table 32. SPI Slave AC Specifications

| Symbol | Parameter | Conditions | Min | Typ | Max | Units |
|-------------------------|--------------------------------|------------|---------------------|-----|-----|-------|
| F_{SCLK} | SCLK clock frequency | – | – | – | 4 | MHz |
| t_{LOW} | SCLK low time | – | 41.67 | – | – | ns |
| t_{HIGH} | SCLK high time | – | 41.67 | – | – | ns |
| t_{SETUP} | MOSI to SCLK setup time | – | 30 | – | – | ns |
| t_{HOLD} | SCLK to MOSI hold time | – | 50 | – | – | ns |
| $t_{\text{SS_MISO}}$ | SS low to MISO valid | – | – | – | 153 | ns |
| $t_{\text{SCLK_MISO}}$ | SCLK to MISO valid | – | – | – | 125 | ns |
| $t_{\text{SS_HIGH}}$ | SS high time | – | 50 | – | – | ns |
| $t_{\text{SS_SCLK}}$ | Time from SS low to first SCLK | – | $2/F_{\text{SCLK}}$ | – | – | ns |
| $t_{\text{SCLK_SS}}$ | Time from last SCLK to SS high | – | $2/F_{\text{SCLK}}$ | – | – | ns |



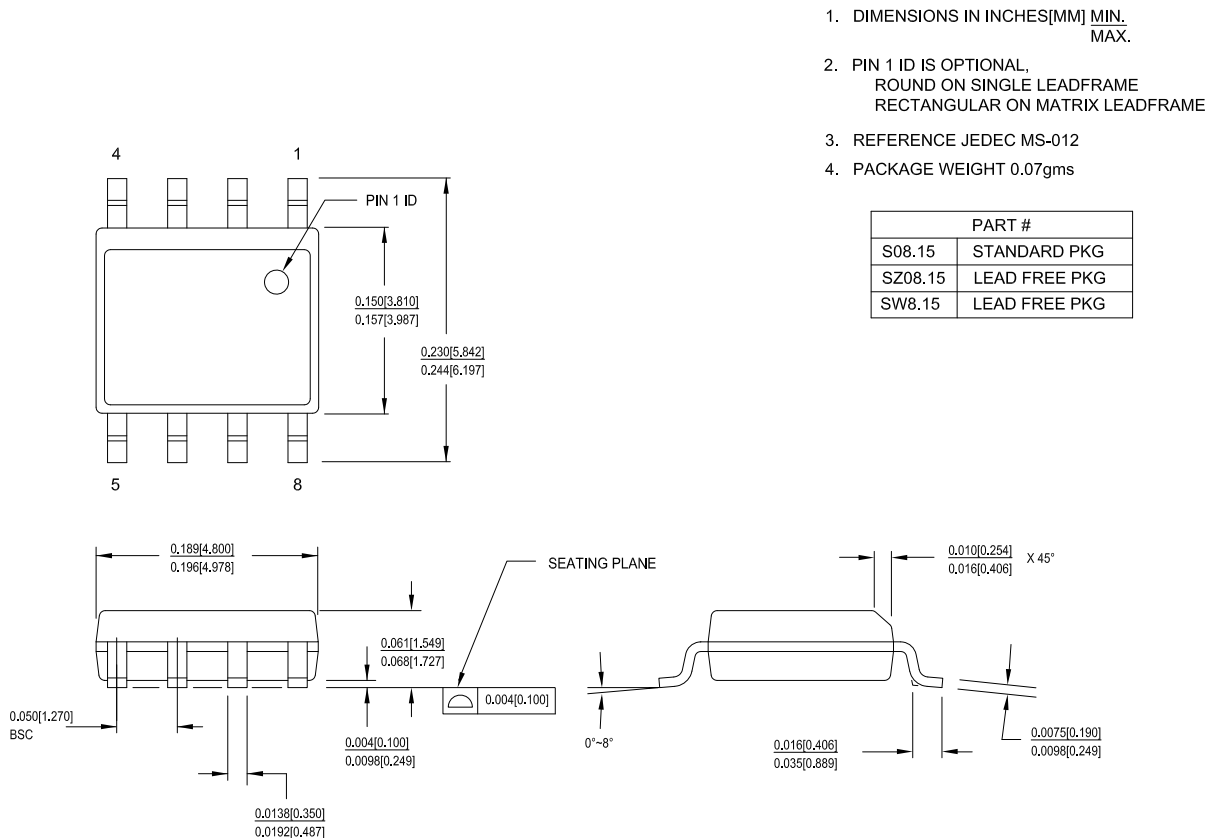
CY8C20134/CY8C20234/CY8C20334 CY8C20434/CY8C20534/CY8C20634

Package Diagrams

This section illustrates the packaging specifications for the CY8C20234, CY8C20334, CY8C20434, CY8C20534, and CY8C20634 PSoC devices along with the thermal impedances for each package.

Important Note Emulation tools may require a larger area on the target PCB than the chip's footprint. For a detailed description of the emulation tools' dimensions, refer to the emulator pod drawings at <http://www.cypress.com>.

Figure 14. 8-pin SOIC (150 Mils) Package Outline, 51-85066

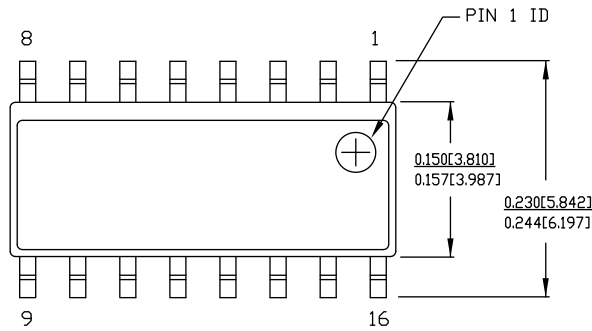


51-85066 *I



**CY8C20134/CY8C20234/CY8C20334
CY8C20434/CY8C20534/CY8C20634**

Figure 15. 16-Pin SOIC (150 Mils) Package Outline, 51-85068



NOTE:

1. DIMENSIONS IN INCHES[MM] MIN./MAX.
2. REFERENCE JEDEC MS-012
3. PACKAGE WEIGHT : refer to IPC 1752 Material Declaration.

| PART # | |
|---------|----------------|
| S16.15 | STANDARD PKG. |
| SZ16.15 | LEAD FREE PKG. |

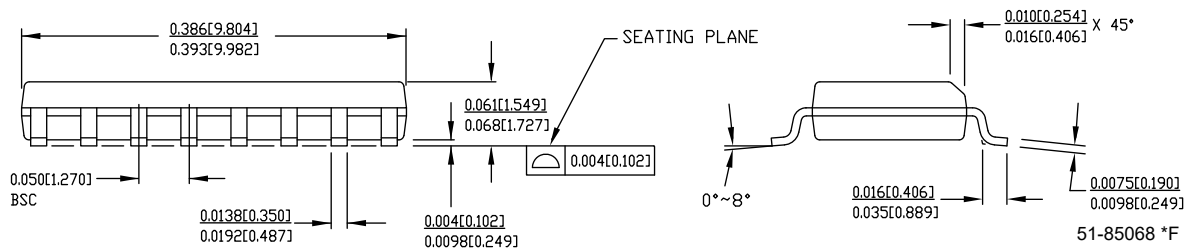
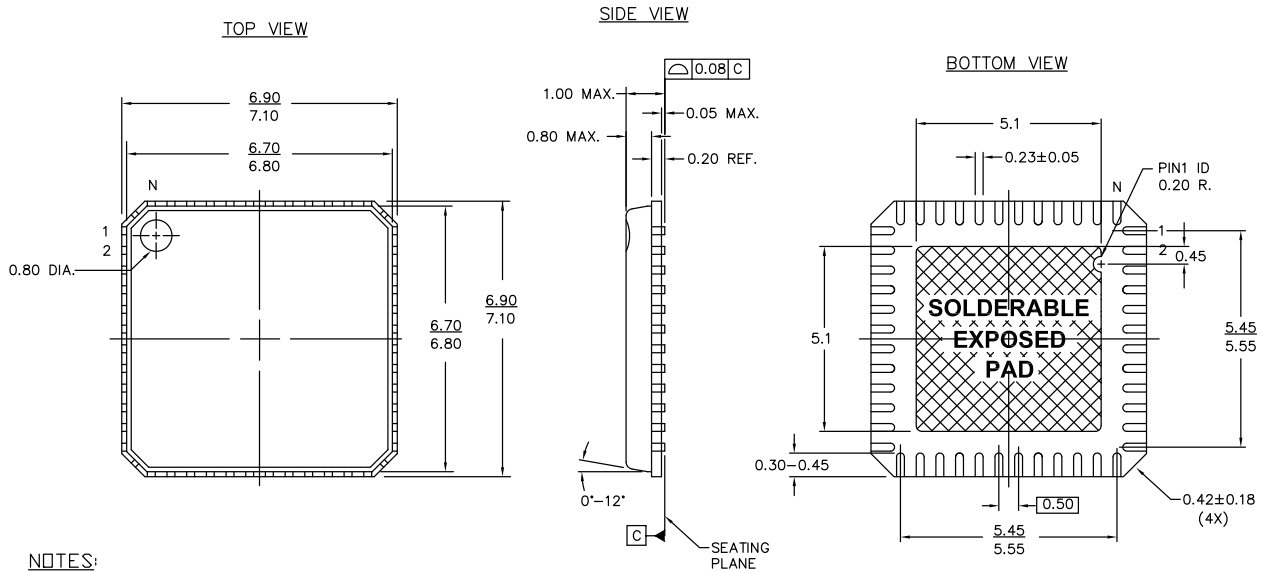


Figure 16. 48-pin QFN (7 × 7 × 1.0 mm) Package Outline, 001-12919



NOTES:

1. HATCH AREA IS SOLDERABLE EXPOSED METAL.
2. REFERENCE JEDEC#: MQ-220
3. PACKAGE WEIGHT: 0.13g
4. ALL DIMENSIONS ARE IN MM [MIN/MAX]
5. PACKAGE CODE

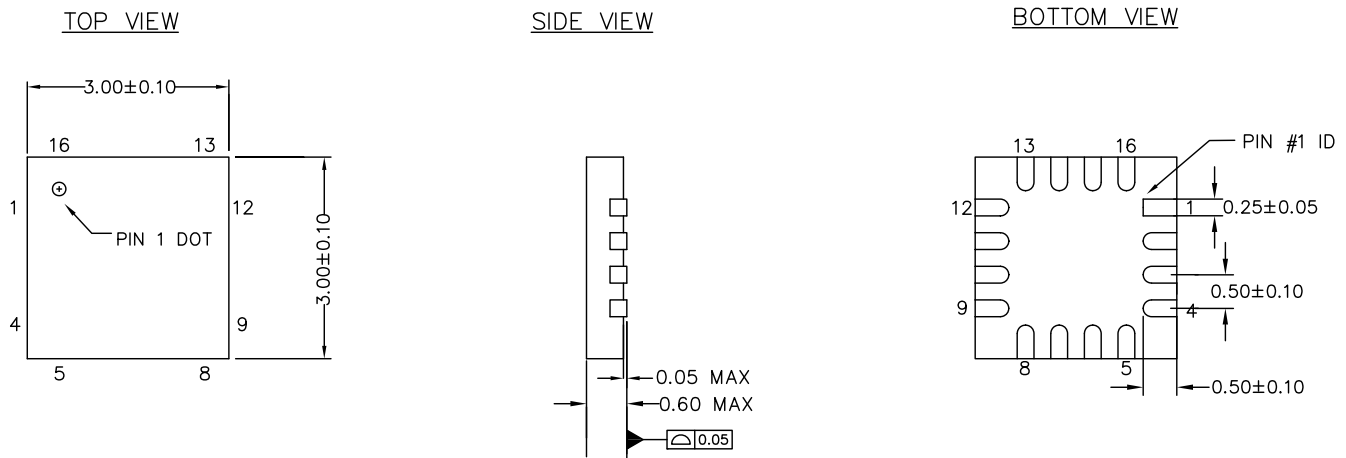
| PART # | DESCRIPTION |
|--------|-------------|
| LF48A | STANDARD |
| LY48A | LEAD FREE |

001-12919 *D



CY8C20134/CY8C20234/CY8C20334 CY8C20434/CY8C20534/CY8C20634

Figure 17. 16-pin COL (3 × 3 × 0.6 mm (Sawn)) Package Outline, 001-09116

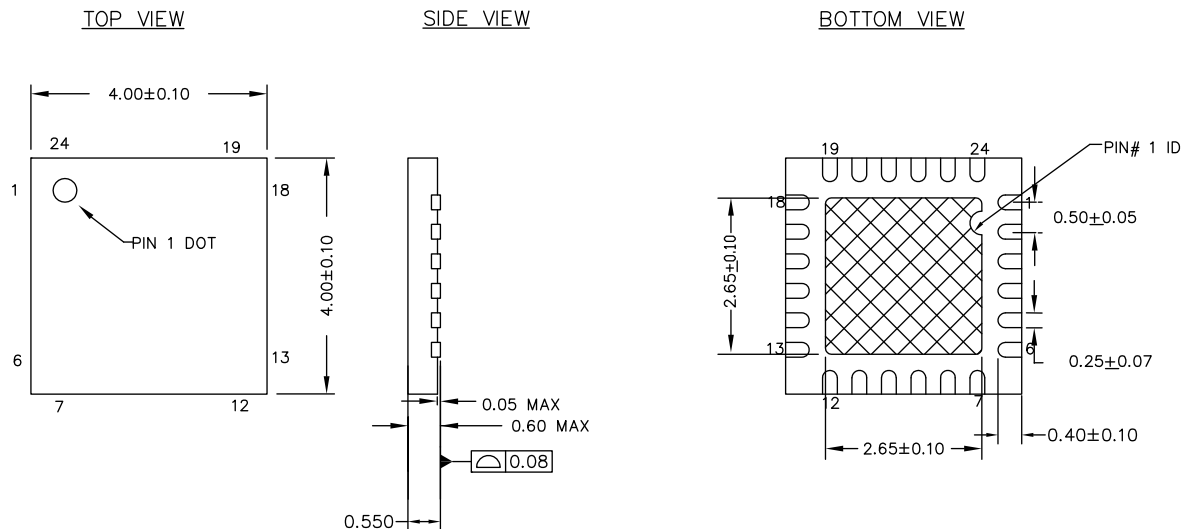


NOTES


1. REFERENCE JEDEC # MO-220
2. ALL DIMENSIONS ARE IN MILLIMETERS

001-09116 *J

Figure 18. 24-pin QFN (4 × 4 × 0.55 mm (Sawn)) Package Outline, 001-13937



NOTES :

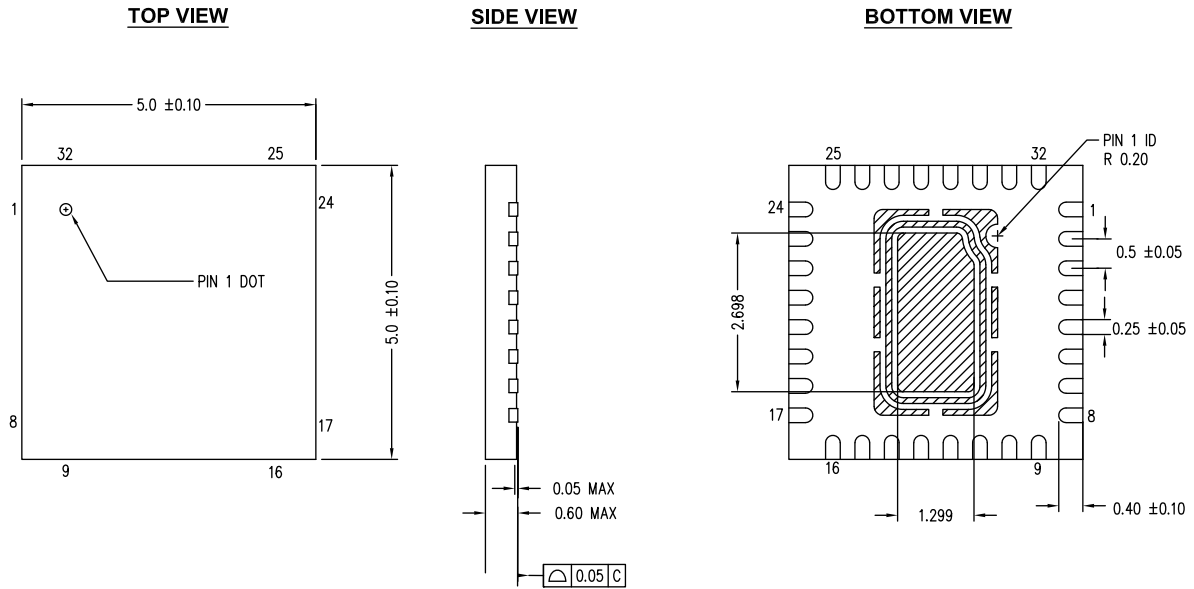
1.  HATCH IS SOLDERABLE EXPOSED METAL.
2. REFERENCE JEDEC # MO-248
3. PACKAGE WEIGHT : 29 ± 3 mg
4. ALL DIMENSIONS ARE IN MILLIMETERS

001-13937 *G



**CY8C20134/CY8C20234/CY8C20334
CY8C20434/CY8C20534/CY8C20634**

Figure 19. 32-Pin QFN (5 × 5 × 0.55 mm (Sawn)) Package Outline, 001-48913

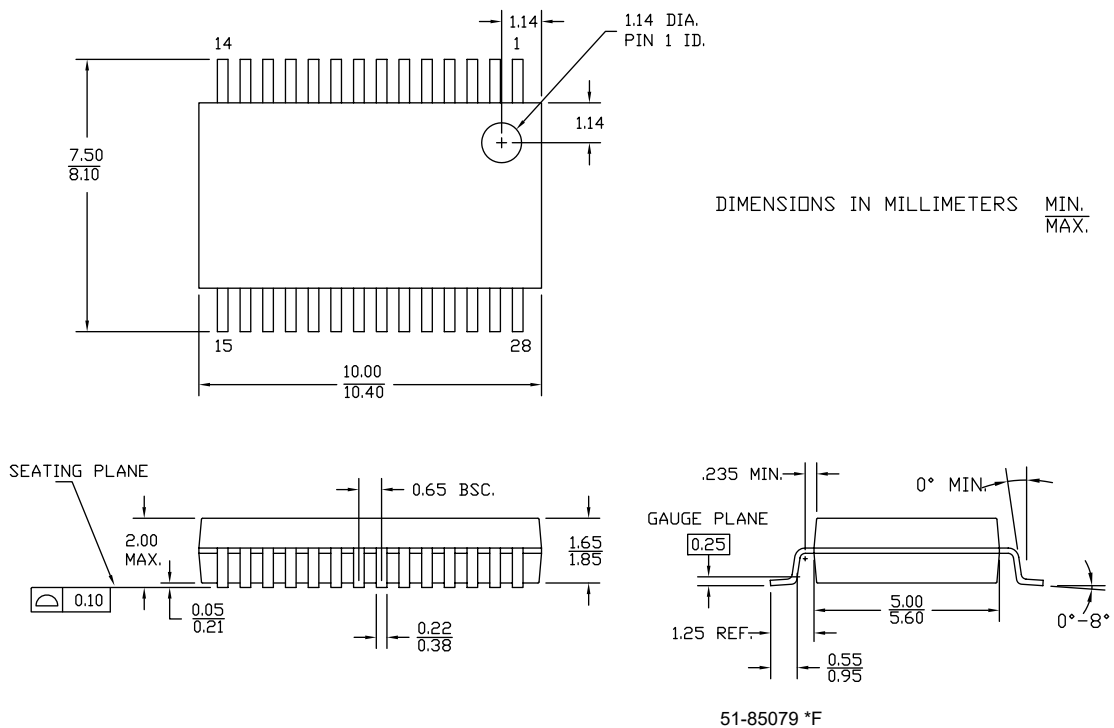


NOTES:

1. HATCH AREA IS SOLDERABLE EXPOSED PAD
2. BASED ON REF JEDEC # MO-248
3. PACKAGE WEIGHT: 38mg ± 4 mg
4. ALL DIMENSIONS ARE IN MILLIMETERS

001-48913 *E

Figure 20. 28-pin SSOP (210 Mils) Package Outline, 51-85079

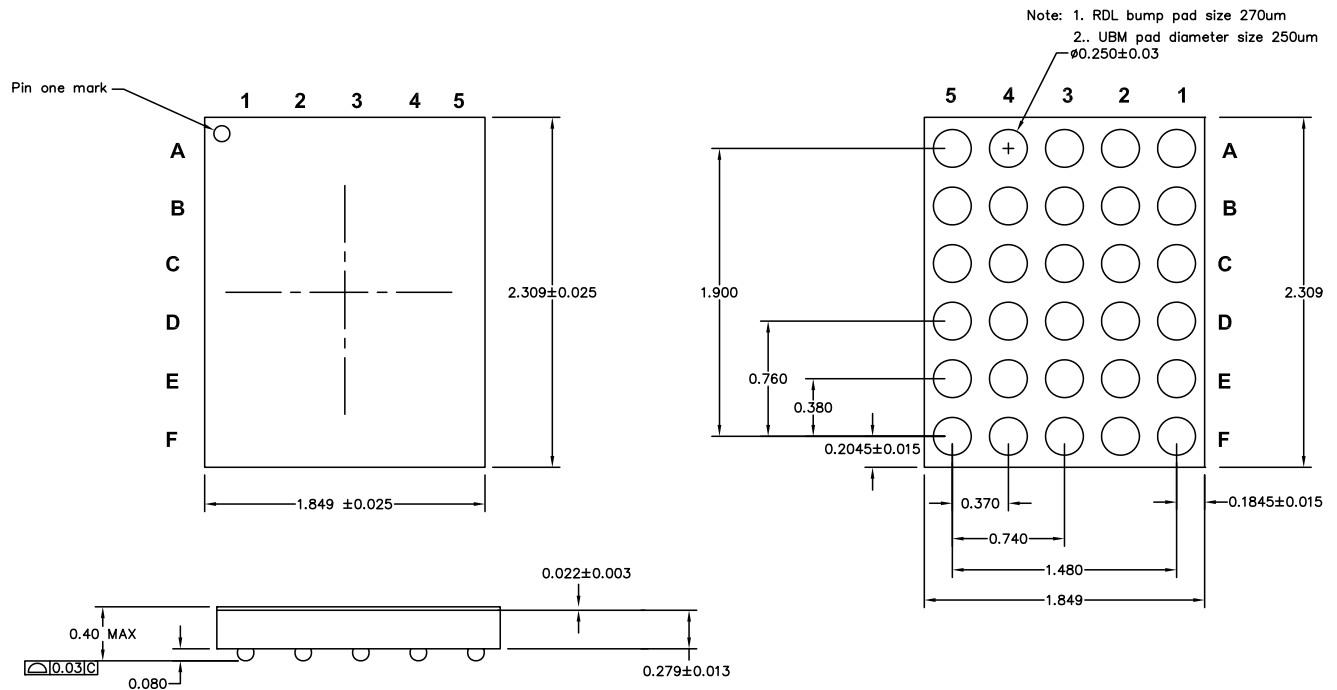


51-85079 *F



CY8C20134/CY8C20234/CY8C20334
CY8C20434/CY8C20534/CY8C20634

Figure 21. 30-Ball WLCSP (1.85 × 2.31 × 0.40 mm) Package Outline, 001-44613



* ALL DIMENSION ARE IN MILLIMETER

Package weight : TBD

Jedec Publication 95

001-44613 *C

Important Note For information on the preferred dimensions for mounting the QFN packages, see the application note *Design Guidelines for Cypress Quad Flat No Extended Lead (QFN) Packaged Devices – AN72845* available at <http://www.cypress.com>.

It is important to note that pinned vias for thermal conduction are not required for the low power 24, 32, and 48-pin QFN PSoC devices.



Thermal Impedances

Table 33 illustrates the minimum solder reflow peak temperature to achieve good solderability.

Table 33. Thermal Impedances Per Package

| Package | Typical θ_{JA} [28] |
|------------------------|----------------------------|
| 8 SOIC | 127 °C/W |
| 16 SOIC | 80 °C/W |
| 16 QFN | 46 °C/W |
| 24 QFN ^[29] | 25 °C/W |
| 28 SSOP | 96 °C/W |
| 30 WLCSP | 54 °C/W |
| 32 QFN ^[29] | 27 °C/W |
| 48 QFN ^[29] | 28 °C/W |

Solder Reflow Specifications

Table 34 shows the solder reflow temperature limits that must not be exceeded.

Table 34. Solder Reflow Specifications

| Package | Maximum Peak Temperature (T _C) | Maximum Time above T _C – 5 °C |
|--------------|--|--|
| 8-Pin SOIC | 260 °C | 30 seconds |
| 16-Pin SOIC | 260 °C | 30 seconds |
| 16-Pin QFN | 260 °C | 30 seconds |
| 24-Pin QFN | 260 °C | 30 seconds |
| 28-Pin SSOP | 260 °C | 30 seconds |
| 30-Pin WLCSP | 260 °C | 30 seconds |
| 32-Pin QFN | 260 °C | 30 seconds |
| 48-Pin QFN | 260 °C | 30 seconds |

Notes

28. $T_J = T_A + \text{Power} \times \theta_{JA}$.

29. To achieve the thermal impedance specified for the QFN package, refer to application note *Design Guidelines for Cypress Quad Flat No Extended Lead (QFN) Packaged Devices – AN72845* available at <http://www.cypress.com>.

30. Higher temperatures is required based on the solder melting point. Typical temperatures for solder are 220 ± 5 °C with Sn-Pb or 245 ± 5 °C with Sn-Ag-Cu paste. Refer to the solder manufacturer specifications.



Development Tool Selection

Software

PSoC Designer™

At the core of the PSoC development software suite is PSoC Designer, used to generate PSoC firmware applications. PSoC Designer is available free of charge at <http://www.cypress.com> and includes a free C compiler.

PSoC Programmer

PSoC Programmer is flexible enough and is used on the bench in development and also suitable for factory programming. PSoC Programmer works either as a standalone programming application or operates directly from PSoC Designer. PSoC Programmer software is compatible with both PSoC ICE Cube In-Circuit Emulator and PSoC MiniProg. PSoC programmer is available free of charge at <http://www.cypress.com>.

Development Kits

All development kits are sold at the Cypress Online Store.

CY3215-DK Basic Development Kit

The CY3215-DK is for prototyping and development with PSoC Designer. This kit supports in-circuit emulation and the software interface enables users to run, halt, and single step the processor and view the content of specific memory locations. PSoC Designer supports the advance emulation features also. The kit includes:

- PSoC Designer Software CD
- ICE-Cube In-Circuit Emulator
- ICE Flex-Pod for CY8C29x66 Family
- Cat-5 Adapter
- Mini-Eval Programming Board
- 110 ~ 240V Power Supply, Euro-Plug Adapter
- iMAGEcraft C Compiler (Registration Required)
- ISSP Cable
- USB 2.0 Cable and Blue Cat-5 Cable
- 2 CY8C29466-24PXI 28-PDIP Chip Samples

Evaluation Tools

All evaluation tools are sold at the Cypress Online Store.

CY3210-MiniProg1

The CY3210-MiniProg1 kit enables the user to program PSoC devices via the MiniProg1 programming unit. The MiniProg is a small, compact prototyping programmer that connects to the PC via a provided USB 2.0 cable. The kit includes:

- MiniProg Programming Unit
- MiniEval Socket Programming and Evaluation Board
- 28-Pin CY8C29466-24PXI PDIP PSoC Device Sample
- 28-Pin CY8C27443-24PXI PDIP PSoC Device Sample
- PSoC Designer Software CD
- Getting Started Guide
- USB 2.0 Cable

CY3210-PSoCEval1

The CY3210-PSoCEval1 kit features an evaluation board and the MiniProg1 programming unit. The evaluation board includes an LCD module, potentiometer, LEDs, and plenty of bread-boarding space to meet all of your evaluation needs. The kit includes:

- Evaluation Board with LCD Module
- MiniProg Programming Unit
- 28-Pin CY8C29466-24PXI PDIP PSoC Device Sample (2)
- PSoC Designer Software CD
- Getting Started Guide
- USB 2.0 Cable

CY3214-PSoCEvalUSB

The CY3214-PSoCEvalUSB evaluation kit features a development board for the CY8C24794-24LFXI PSoC device. Special features of the board include both USB and capacitive sensing development and debugging support. This evaluation board also includes an LCD module, potentiometer, LEDs, an enunciator and plenty of bread boarding space to meet all of your evaluation needs. The kit includes:

- PSoCEvalUSB Board
- LCD Module
- MiniProg Programming Unit
- Mini USB Cable
- PSoC Designer and Example Projects CD
- Getting Started Guide
- Wire Pack



CY8C20134/CY8C20234/CY8C20334 CY8C20434/CY8C20534/CY8C20634

Device Programmers

All device programmers are purchased from the Cypress Online Store.

CY3216 Modular Programmer

The CY3216 Modular Programmer kit features a modular programmer and the MiniProg1 programming unit. The modular programmer includes three programming module cards and supports multiple Cypress products. The kit includes:

- Modular Programmer Base
- 3 Programming Module Cards
- MiniProg Programming Unit
- PSoC Designer Software CD
- Getting Started Guide
- USB 2.0 Cable

Accessories (Emulation and Programming)

Table 35. Emulation and Programming Accessories

| Part Number | Pin Package | Flex-Pod Kit ^[31] | Foot Kit ^[32] | Prototyping Module | Adapter ^[33] |
|------------------|-------------|------------------------------|--------------------------|--------------------|-------------------------|
| CY8C20234-12LKXI | 16 QFN | Not Available | CY3250-16QFN-FK | CY3210-20X34 | Not Available |
| CY8C20334-12LQXI | 24 QFN | CY3250-20334QFN | CY3250-24QFN-FK | CY3210-20X34 | AS-24-28-01ML-6 |
| CY8C20634-12FDXI | 30 WLCSP | Not available | | CY3210-20X34 | Not Available |

CY3207ISSP In-System Serial Programmer (ISSP)

The CY3207ISSP is a production programmer. It includes protection circuitry and an industrial case that is more robust than the MiniProg in a production programming environment. Note that CY3207ISSP needs special software and is not compatible with PSoC Programmer. The kit includes:

- CY3207 Programmer Unit
- PSoC ISSP Software CD
- 110 ~ 240V Power Supply, Euro-Plug Adapter
- USB 2.0 Cable

Notes

31. Dual function Digital I/O Pins also connect to the common analog mux.

32. This part may be used for in-circuit debugging. It is NOT available for production.

33. Programming adapter converts non-DIP package to DIP footprint. Specific details and ordering information for each of the adapters is available at <http://www.emulation.com>.



CY8C20134/CY8C20234/CY8C20334 CY8C20434/CY8C20534/CY8C20634

Ordering Information

Table 36 lists the CY8C20234, CY8C20334, CY8C20434, CY8C20534, and CY8C20634 PSoC device's key package features and ordering codes.

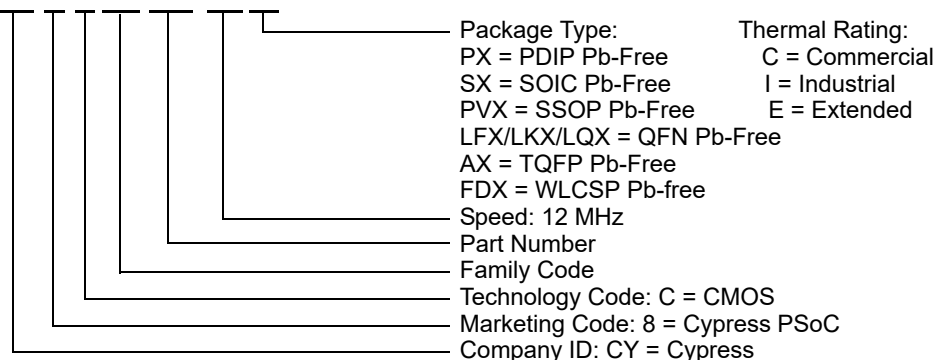
Table 36. PSoC Device Key Features and Ordering Information

| Ordering Code | Package | Flash (Bytes) | SRAM (Bytes) | Digital Blocks | CapSense-Blocks | Digital I/O Pins | Analog Inputs | Analog Outputs | XRES Pin |
|-------------------|--|---------------|--------------|----------------|-----------------|------------------|--------------------|----------------|----------|
| CY8C20134-12SXI | 8-Pin SOIC | 8K | 512 | 0 | 1 | 6 | 6 | 0 | No |
| CY8C20234-12SXI | 16-Pin SOIC | 8K | 512 | 0 | 1 | 13 | 13 | 0 | Yes |
| CY8C20234-12SXIT | 16-pin SOIC | 8K | 512 | 0 | 1 | 13 | 13 | 0 | Yes |
| CY8C20534-12PVXI | 28-Pin SSOP | 8K | 512 | 0 | 1 | 24 | 24 ^[31] | 0 | Yes |
| CY8C20534-12PVXIT | 28-Pin SSOP | 8K | 512 | 0 | 1 | 24 | 24 ^[31] | 0 | Yes |
| CY8C20234-12LKXI | 16-Pin (3 × 3 mm 0.60 Max) Sawn QFN | 8K | 512 | 0 | 1 | 13 | 13 ^[31] | 0 | Yes |
| CY8C20234-12LKXIT | 16-Pin (3 × 3 mm 0.60 Max) Sawn QFN (Tape and Reel) | 8K | 512 | 0 | 1 | 13 | 13 ^[31] | 0 | Yes |
| CY8C20334-12LQXI | 24-Pin (4 × 4 mm 0.60 Max) Sawn QFN | 8K | 512 | 0 | 1 | 20 | 20 ^[31] | 0 | Yes |
| CY8C20334-12LQXIT | 24-Pin (4 × 4 mm 0.60 Max) Sawn QFN (Tape and Reel) | 8K | 512 | 0 | 1 | 20 | 20 ^[31] | 0 | Yes |
| CY8C20434-12LQXI | 32-Pin (5 × 5 mm 0.60 Max) Thin Sawn QFN | 8K | 512 | 0 | 1 | 28 | 28 | 0 | Yes |
| CY8C20434-12LQXIT | 32-Pin (5 × 5 mm 0.60 Max) Thin Sawn QFN (Tape and Reel) | 8K | 512 | 0 | 1 | 28 | 28 | 0 | Yes |

Note For Die sales information, contact a local Cypress sales office or Field Applications Engineer (FAE).

Ordering Code Definitions

CY 8 C 20 xxx- 12 xx





Acronyms

Acronyms Used

Table 37 lists the acronyms that are used in this document.

Table 37. Acronyms Used in this Datasheet

| Acronym | Description | Acronym | Description |
|---------|---|---------|---------------------------------|
| AC | alternating current | MIPS | million instructions per second |
| ADC | analog-to-digital converter | OCD | on-chip debug |
| API | application programming interface | PCB | printed circuit board |
| CMOS | complementary metal oxide semiconductor | PGA | programmable gain amplifier |
| CPU | central processing unit | POR | power on reset |
| EEPROM | electrically erasable programmable read-only memory | PPOR | precision power on reset |
| GPIO | general purpose I/O | PSoC® | Programmable System-on-Chip |
| ICE | in-circuit emulator | PWM | pulse width modulator |
| IDAC | current DAC | QFN | quad flat no leads |
| IDE | integrated development environment | SLIMO | slow IMO |
| ILO | internal low speed oscillator | SPI™ | serial peripheral interface |
| IMO | internal main oscillator | SRAM | static random access memory |
| I/O | input/output | SROM | supervisory read only memory |
| ISSP | in-system serial programming | SSOP | shrink small-outline package |
| LCD | liquid crystal display | USB | universal serial bus |
| LDO | | WDT | watchdog timer |
| LED | light-emitting diode | WLCSP | wafer level chip scale package |
| LVD | low voltage detect | XRES | external reset |
| MCU | microcontroller unit | | |

Reference Documents

PSoC® CY8C20x34 and PSoC® CY8C20x24 Technical Reference Manual (TRM) – 001-13033

Design Aids – Reading and Writing PSoC® Flash - AN2015 (001-40459)

Design Guidelines for Cypress Quad Flat No Extended Lead (QFN) Packaged Devices – AN72845 available at <http://www.cypress.com>.



Document Conventions

Units of Measure

Table 38 lists the units of measures.

Table 38. Units of Measure

| Symbol | Unit of Measure | Symbol | Unit of Measure |
|--------|-----------------|--------|-----------------|
| °C | degree Celsius | ms | millisecond |
| pF | picofarad | ns | nanosecond |
| kHz | kilohertz | ps | picosecond |
| MHz | megahertz | μV | microvolts |
| kΩ | kilohm | mV | millivolts |
| Ω | ohm | V | volts |
| μA | microampere | W | watt |
| mA | milliampere | mm | millimeter |
| nA | nanoampere | % | percent |
| μs | microsecond | | |

Numeric Conventions

Hexadecimal numbers are represented with all letters in uppercase with an appended lowercase 'h' (for example, '14h' or '3Ah'). Hexadecimal numbers may also be represented by a '0x' prefix, the C coding convention. Binary numbers have an appended lowercase 'b' (for example, '01010100b' or '01000011b'). Numbers not indicated by an 'h' or 'b' are decimals.

Glossary

| | |
|---|--|
| active high | <ol style="list-style-type: none"> 1. A logic signal having its asserted state as the logic 1 state. 2. A logic signal having the logic 1 state as the higher voltage of the two states. |
| analog blocks | The basic programmable opamp circuits. These are SC (switched capacitor) and CT (continuous time) blocks. These blocks can be interconnected to provide ADCs, DACs, multi-pole filters, gain stages, and much more. |
| analog-to-digital (ADC) | A device that changes an analog signal to a digital signal of corresponding magnitude. Typically, an ADC converts a voltage to a digital number. The digital-to-analog (DAC) converter performs the reverse operation. |
| Application programming interface (API) | A series of software routines that comprise an interface between a computer application and lower level services and functions (for example, user modules and libraries). APIs serve as building blocks for programmers that create software applications. |
| asynchronous | A signal whose data is acknowledged or acted upon immediately, irrespective of any clock signal. |
| Bandgap reference | A stable voltage reference design that matches the positive temperature coefficient of V_T with the negative temperature coefficient of V_{BE} , to produce a zero temperature coefficient (ideally) reference. |
| bandwidth | <ol style="list-style-type: none"> 1. The frequency range of a message or information processing system measured in hertz. 2. The width of the spectral region over which an amplifier (or absorber) has substantial gain (or loss); it is sometimes represented more specifically as, for example, full width at half maximum. |
| bias | <ol style="list-style-type: none"> 1. A systematic deviation of a value from a reference value. 2. The amount by which the average of a set of values departs from a reference value. 3. The electrical, mechanical, magnetic, or other force (field) applied to a device to establish a reference level to operate the device. |



Glossary

| | |
|-------------------------------|--|
| block | <ol style="list-style-type: none"> 1. A functional unit that performs a single function, such as an oscillator. 2. A functional unit that may be configured to perform one of several functions, such as a digital PSoC block or an analog PSoC block. |
| buffer | <ol style="list-style-type: none"> 1. A storage area for data that is used to compensate for a speed difference, when transferring data from one device to another. Usually refers to an area reserved for IO operations, into which data is read, or from which data is written. 2. A portion of memory set aside to store data, often before it is sent to an external device or as it is received from an external device. 3. An amplifier used to lower the output impedance of a system. |
| bus | <ol style="list-style-type: none"> 1. A named connection of nets. Bundling nets together in a bus makes it easier to route nets with similar routing patterns. 2. A set of signals performing a common function and carrying similar data. Typically represented using vector notation; for example, address[7:0]. 3. One or more conductors that serve as a common connection for a group of related devices. |
| clock | The device that generates a periodic signal with a fixed frequency and duty cycle. A clock is sometimes used to synchronize different logic blocks. |
| comparator | An electronic circuit that produces an output voltage or current whenever two input levels simultaneously satisfy predetermined amplitude requirements. |
| compiler | A program that translates a high level language, such as C, into machine language. |
| configuration space | In PSoC devices, the register space accessed when the XIO bit, in the CPU_F register, is set to '1'. |
| crystal oscillator | An oscillator in which the frequency is controlled by a piezoelectric crystal. Typically a piezoelectric crystal is less sensitive to ambient temperature than other circuit components. |
| cyclic redundancy check (CRC) | A calculation used to detect errors in data communications, typically performed using a linear feedback shift register. Similar calculations may be used for a variety of other purposes such as data compression. |
| data bus | A bi-directional set of signals used by a computer to convey information from a memory location to the central processing unit and vice versa. More generally, a set of signals used to convey data between digital functions. |
| debugger | A hardware and software system that allows you to analyze the operation of the system under development. A debugger usually allows the developer to step through the firmware one step at a time, set break points, and analyze memory. |
| dead band | A period of time when neither of two or more signals are in their active state or in transition. |
| digital blocks | The 8-bit logic blocks that can act as a counter, timer, serial receiver, serial transmitter, CRC generator, pseudo-random number generator, or SPI. |
| digital-to-analog (DAC) | A device that changes a digital signal to an analog signal of corresponding magnitude. The analog-to-digital (ADC) converter performs the reverse operation. |
| duty cycle | The relationship of a clock period high time to its low time, expressed as a percent. |
| emulator | Duplicates (provides an emulation of) the functions of one system with a different system, so that the second system appears to behave like the first system. |



Glossary

| | |
|---------------------------------|--|
| External Reset (XRES) | An active high signal that is driven into the PSoC device. It causes all operation of the CPU and blocks to stop and return to a pre-defined state. |
| Flash | An electrically programmable and erasable, non-volatile technology that provides you the programmability and data storage of EPROMs, plus in-system erasability. Non-volatile means that the data is retained when power is OFF. |
| Flash block | The smallest amount of Flash ROM space that may be programmed at one time and the smallest amount of Flash space that may be protected. A Flash block holds 64 bytes. |
| frequency | The number of cycles or events per unit of time, for a periodic function. |
| gain | The ratio of output current, voltage, or power to input current, voltage, or power, respectively. Gain is usually expressed in dB. |
| I ² C | A two-wire serial computer bus by Philips Semiconductors (now NXP Semiconductors). I2C is an Inter-Integrated Circuit. It is used to connect low-speed peripherals in an embedded system. The original system was created in the early 1980s as a battery control interface, but it was later used as a simple internal bus system for building control electronics. I2C uses only two bi-directional pins, clock and data, both running at +5V and pulled high with resistors. The bus operates at 100 kbits/second in standard mode and 400 kbits/second in fast mode. |
| ICE | The in-circuit emulator that allows you to test the project in a hardware environment, while viewing the debugging device activity in a software environment (PSoC Designer). |
| input/output (I/O) | A device that introduces data into or extracts data from a system. |
| interrupt | A suspension of a process, such as the execution of a computer program, caused by an event external to that process, and performed in such a way that the process can be resumed. |
| interrupt service routine (ISR) | A block of code that normal code execution is diverted to when the M8C receives a hardware interrupt. Many interrupt sources may each exist with its own priority and individual ISR code block. Each ISR code block ends with the RETI instruction, returning the device to the point in the program where it left normal program execution. |
| jitter | <ol style="list-style-type: none"> 1. A misplacement of the timing of a transition from its ideal position. A typical form of corruption that occurs on serial data streams. 2. The abrupt and unwanted variations of one or more signal characteristics, such as the interval between successive pulses, the amplitude of successive cycles, or the frequency or phase of successive cycles. |
| low-voltage detect (LVD) | A circuit that senses V_{DD} and provides an interrupt to the system when V_{DD} falls lower than a selected threshold. |
| M8C | An 8-bit Harvard-architecture microprocessor. The microprocessor coordinates all activity inside a PSoC by interfacing to the Flash, SRAM, and register space. |
| master device | A device that controls the timing for data exchanges between two devices. Or when devices are cascaded in width, the master device is the one that controls the timing for data exchanges between the cascaded devices and an external interface. The controlled device is called the slave device . |
| microcontroller | An integrated circuit chip that is designed primarily for control systems and products. In addition to a CPU, a microcontroller typically includes memory, timing circuits, and IO circuitry. The reason for this is to permit the realization of a controller with a minimal quantity of chips, thus achieving maximal possible miniaturization. This in turn, reduces the volume and the cost of the controller. The microcontroller is normally not used for general-purpose computation as is a microprocessor. |
| mixed-signal | The reference to a circuit containing both analog and digital techniques and components. |



Glossary

| | |
|-----------------------------|---|
| modulator | A device that imposes a signal on a carrier. |
| noise | <ol style="list-style-type: none"> 1. A disturbance that affects a signal and that may distort the information carried by the signal. 2. The random variations of one or more characteristics of any entity such as voltage, current, or data. |
| oscillator | A circuit that may be crystal controlled and is used to generate a clock frequency. |
| parity | A technique for testing transmitting data. Typically, a binary digit is added to the data to make the sum of all the digits of the binary data either always even (even parity) or always odd (odd parity). |
| Phase-locked loop (PLL) | An electronic circuit that controls an oscillator so that it maintains a constant phase angle relative to a reference signal. |
| pinouts | The pin number assignment: the relation between the logical inputs and outputs of the PSoC device and their physical counterparts in the printed circuit board (PCB) package. Pinouts involve pin numbers as a link between schematic and PCB design (both being computer generated files) and may also involve pin names. |
| port | A group of pins, usually eight. |
| Power on reset (POR) | A circuit that forces the PSoC device to reset when the voltage is lower than a pre-set level. This is a type of hardware reset. |
| PSoC [®] | Cypress Semiconductor's PSoC [®] is a registered trademark and Programmable System-on-Chip [™] is a trademark of Cypress. |
| PSoC Designer [™] | The software for Cypress' Programmable System-on-Chip technology. |
| pulse width modulator (PWM) | An output in the form of duty cycle which varies as a function of the applied measurand |
| RAM | An acronym for random access memory. A data-storage device from which data can be read out and new data can be written in. |
| register | A storage device with a specific capacity, such as a bit or byte. |
| reset | A means of bringing a system back to a know state. See hardware reset and software reset. |
| ROM | An acronym for read only memory. A data-storage device from which data can be read out, but new data cannot be written in. |
| serial | <ol style="list-style-type: none"> 1. Pertaining to a process in which all events occur one after the other. 2. Pertaining to the sequential or consecutive occurrence of two or more related activities in a single device or channel. |
| settling time | The time it takes for an output signal or value to stabilize after the input has changed from one value to another. |
| shift register | A memory storage device that sequentially shifts a word either left or right to output a stream of serial data. |
| slave device | A device that allows another device to control the timing for data exchanges between two devices. Or when devices are cascaded in width, the slave device is the one that allows another device to control the timing of data exchanges between the cascaded devices and an external interface. The controlling device is called the master device. |



Glossary

| | |
|-----------------|---|
| SRAM | An acronym for static random access memory. A memory device where you can store and retrieve data at a high rate of speed. The term static is used because, after a value is loaded into an SRAM cell, it remains unchanged until it is explicitly altered or until power is removed from the device. |
| SROM | An acronym for supervisory read only memory. The SROM holds code that is used to boot the device, calibrate circuitry, and perform Flash operations. The functions of the SROM may be accessed in normal user code, operating from Flash. |
| stop bit | A signal following a character or block that prepares the receiving device to receive the next character or block. |
| synchronous | <ol style="list-style-type: none"> 1. A signal whose data is not acknowledged or acted upon until the next active edge of a clock signal. 2. A system whose operation is synchronized by a clock signal. |
| tri-state | A function whose output can adopt three states: 0, 1, and Z (high-impedance). The function does not drive any value in the Z state and, in many respects, may be considered to be disconnected from the rest of the circuit, allowing another output to drive the same net. |
| UART | A UART or universal asynchronous receiver-transmitter translates between parallel bits of data and serial bits. |
| user modules | Pre-build, pre-tested hardware/firmware peripheral functions that take care of managing and configuring the lower level Analog and Digital PSoC Blocks. User Modules also provide high level API (Application Programming Interface) for the peripheral function. |
| user space | The bank 0 space of the register map. The registers in this bank are more likely to be modified during normal program execution and not just during initialization. Registers in bank 1 are most likely to be modified only during the initialization phase of the program. |
| V _{DD} | A name for a power net meaning “voltage drain.” The most positive power supply signal. Usually 5 V or 3.3 V. |
| V _{SS} | A name for a power net meaning “voltage source.” The most negative power supply signal. |
| watchdog timer | A timer that must be serviced periodically. If it is not serviced, the CPU resets after a specified period of time. |



Document History Page

| Document Title: CY8C20134/CY8C20234/CY8C20334/CY8C20434/CY8C20534/CY8C20634, PSoC [®] Programmable System-on-Chip™ Document Number: 001-05356 | | | | |
|--|---------|--------------------------------|-----------------|--|
| Revision | ECN | Orig. of Change | Submission Date | Description of Change |
| ** | 404571 | HMT | 11/07/2005 | New silicon and document (Revision **). |
| *A | 418513 | HMT | 01/16/2006 | Updated Electrical Specifications, including Storage Temperature and Maximum Input Clock Frequency. Updated Features and Analog System Overview. Modified 32-pin QFN E-PAD dimensions. Added new 32-pin QFN. Add High Output Drive indicator to all P1[x] pinouts. Updated trademarks. |
| *B | 490071 | HMT | 08/04/2006 | Changed status from Preliminary to Final. Added new Development Tool section. Added OCD pinout and package diagram. Added 16-pin QFN. Updated 24-pin and 32-pin QFN package diagrams to 0.60 max thickness. Changed from commercial to industrial temperature range. Updated Storage Temperature specification and notes. Updated thermal resistance data. Added development tool kit part numbers. Finetuned features and electrical specifications. |
| *C | 788177 | HMT | 02/21/2007 | Added CapSense SNR requirement reference. Added Low Power Comparator (LPC) AC/DC electrical specifications tables. Added 2.7V minimum specifications. Updated figure standards. Updated Technical Training paragraph. Added QFN package clarifications and dimensions. Updated ECN-ed Amkor dimensioned QFN package diagram revisions. |
| *D | 1356805 | HMT / SFVTMP3/ HCL / SFV | 08/07/2007 | Updated 24-pin QFN Theta JA. Added External Reset Pulse Width, TXRST, specification. Fixed 48-pin QFN.vsd. Updated the table introduction and high output voltage description in section two. The sentence: "Exceeding maximum ratings may shorten the battery life of the device." does not apply to all datasheets. Therefore, the word "battery" is changed to "useful." Took out tabs after table and figure numbers in titles and added two hard spaces. Updated the section, DC GPIO Specifications on page 20 with new text. Updated VOH5 and VOH6 to say, "High Output Voltage, Port 1 Pins with 3.0V LDO Regulator Enabled." Updated VOH7 and VOH8 with the text, "maximum of 20 mA source current in all I/Os." Added 28-pin SSOP part, pinout, package. Updated specs. Modified dev. tool part numbers. |
| *E | 2197347 | UVS / AESA | 03/11/2008 | Added 32-pin Sawn QFN Pin diagram Removed package diagram: 32-Pin (5 × 5 mm) SAWN QFN(001-42168 *A) Updated Ordering Information table with CY8C20434-12LQXI and CY8C20434-12LQXIT ordering details. Corrected Table 16. DC Programming Specifications - Included above the table "Flash Endurance and Retention specifications with the use of the EEPROM User Module are valid only within the range: 25 °C +/-20C during the Flash Write operation. Refer the EEPROM User Module datasheet instructions for EEPROM Flash Write requirements outside of the 25 °C +/-20 °C temperature window". |
| *F | 2542938 | RLRM / AESA | 07/30/2008 | Corrected Ordering Information format. Updated package diagrams 001-13937 and 001-30999. Updated datasheet template. Corrected Figure 6 (28-pin diagram). |
| *G | 2610469 | SNV / PYRS | 11/20/2008 | Updated V _{OH5} , V _{OH7} , and V _{OH9} specifications |
| *H | 2693024 | DPT / PYRS | 04/16/2009 | Updated Document Title to read as "CY8C20234/CY8C20334/CY8C20434/CY8C20534, PSoC [®] Programmable System-on-Chip™". Replaced package outline drawing for 32-Pin Sawn QFN Updated " Development Tool Selection " on page 38 Updated " Development Tools " on page 7 and " Designing with PSoC Designer " on page 8 Updated " Getting Started " on page 6 |



Document History Page

| Document Title: CY8C20134/CY8C20234/CY8C20334/CY8C20434/CY8C20534/CY8C20634, PSoC [®] Programmable System-on-Chip [™] Document Number: 001-05356 | | | | |
|--|---------|-----------------|-----------------|--|
| Revision | ECN | Orig. of Change | Submission Date | Description of Change |
| *I | 2717566 | DRSW / AESA | 06/11/2009 | Updated AC Chip-Level, and AC Programming Specifications as follows: Modified F _{IMO6} (page 20), T _{WRITE} specifications (page 23) Added I _{OH} , I _{OL} (page 17), Flash endurance note (page 19), DCILO (page 20), F32K _U (page 20), T _{POWERUP} (page 20), T _{ERASEALL} (page 23), T _{PROGRAM_HOT} (page 24), and T _{PROGRAM_COLD} (page 24) specifications Added AC SPI Master and Slave Specifications Added 30-Ball WLCSP Package |
| *J | 2825336 | ISW | 12/10/2009 | Updated pin description table for 48-pin OCD. Updated Ordering information table to include CY8C20534-12PVXA parts. Updated package diagrams for 48-pin QFN, 16-pin QFN (sawn), 24-pin QFN (sawn), and 30-ball WLCSP specs. |
| *K | 2892629 | NJF | 03/15/2010 | Updated Programmable pin configuration details in Features. Updated Analog Multiplexer System . Updated Cypress website links. Updated PSoC Designer Software Subsystems . Added T _{BAKETEMP} and T _{BAKETIME} parameters in Absolute Maximum Ratings . Removed the following sections: DC Low Power Comparator Specifications, AC Analog Mux Bus Specifications, AC Low Power Comparator Specifications, Third Party Tools, and Build a PSoC Emulator into your Board. Modified Notes in Package Diagrams . Updated Ordering Code Definitions . Removed inactive parts from Ordering Information . Updated links in Sales, Solutions, and Legal Information . |
| *L | 2872902 | VMAD | 04/06/2010 | Added part number CY8C20134 to the title. Added 8-pin and 16-pin SOIC pin and package details. Updated content to match current style guide and datasheet template. Moved acronyms and units of measure tables to page 35. |
| *M | 3043170 | NJF | 09/30/2010 | Added PSoC Device Characteristics table . Added DC I ² C Specifications table. Added F _{32K_U} max limit. Added T _{jitter} IMO specification, removed existing jitter specifications. Updated Units of Measure, Acronyms, Glossary, and References sections. Updated solder reflow specifications. No specific changed were made to I ² C Timing Diagram. Updated for clearer understanding. Updated to new template. |
| *N | 3173718 | NJF | 02/16/2011 | CY8C20134-12SX1I and CY8C20234-12SX2I typo error fixed in the ordering information table and changed in to CY8C20134-12SXI and CY8C20234-12SXI. Updated document version and date. Updated Package Diagrams : spec 001-12919 – Changed revision from *B to *C. Completing Sunset Review. |
| *O | 3248613 | TOF | 06/10/2011 | Removed “system level designs” related information in all instances across the document. Updated Electrical Specifications : Updated DC Electrical Characteristics : Updated DC GPIO Specifications : Updated description. Updated Package Diagrams : spec 51-85066 – Changed revision from *D to *E. spec 51-85079 – Changed revision from *D to *E. Updated Solder Reflow Specifications : Updated Table 34 . |
| *P | 3394775 | KPOL | 10/04/2011 | Updated Package Diagrams : spec 51-85068 – Changed revision from *C to *D. spec 001-09116 – Changed revision from *E to *F. |



Document History Page

| Document Title: CY8C20134/CY8C20234/CY8C20334/CY8C20434/CY8C20534/CY8C20634, PSoC® Programmable System-on-Chip™ Document Number: 001-05356 | | | | |
|--|---------|-----------------|-----------------|--|
| Revision | ECN | Orig. of Change | Submission Date | Description of Change |
| *Q | 3638597 | BVI | 06/06/2012 | Updated F _{SCLK} parameter in the Table 32, "SPI Slave AC Specifications," on page 31. Changed t _{OUT_HIGH} to t _{OUT_H} in Table 31, "SPI Master AC Specifications," on page 31 Updated Package Diagrams : spec 001-13937 – Changed revision from *C to *D. spec 001-44613 – Changed revision from *A to *B. Updated Reference Documents : Removed specs 001-17397 and 001-14503 (specs are obsolete). |
| *R | 4306760 | PRKU | 03/26/2014 | Added note to connect all V _{SS} pins to one common GND plane. Updated Package Diagrams : spec 51-85066 – Changed revision from *E to *F. spec 51-85068 – Changed revision from *D to *E. spec 001-12919 – Changed revision from *C to *D. spec 001-09116 – Changed revision from *F to *J. spec 001-13937 – Changed revision from *D to *E. spec 001-48913 – Changed revision from *B to *D. spec 001-44613 – Changed revision from *B to *C. Completing Sunset Review. |
| *S | 4455557 | DIMA | 08/13/2014 | Replaced references of "Application Notes for Surface Mount Assembly of Amkor's MicroLeadFrame (MLF) Packages" with "Design Guidelines for Cypress Quad Flat No Extended Lead (QFN) Packaged Devices – AN72845" in all instances across the document. Added "CapSense Design Resources". Updated Ordering Information : Updated Table 36 : Updated part numbers. |
| *T | 4748586 | DIMA | 05/14/2015 | Removed "CapSense Design Resources". Added More Information . Updated Package Diagrams : spec 51-85066 – Changed revision from *F to *G. spec 001-13937 – Changed revision from *E to *F. spec 51-85079 – Changed revision from *E to *F. Updated to new template. Completing Sunset Review. |
| *U | 6071231 | DCHE | 02/14/2018 | Updated Package Diagrams : spec 51-85066 – Changed revision from *G to *I. Updated Ordering Information : Updated Table 36 : Updated part numbers. Updated to new template. |
| *V | 6229063 | TAVA | 07/04/2018 | Updated Package Diagrams : spec 001-13937 – Changed revision from *F to *G. Completing Sunset Review. |
| *W | 6583102 | TAVA | 05/29/2019 | Updated Package Diagrams : spec 51-85068 – Changed revision from *E to *F. spec 001-48913 – Changed revision from *D to *E. Updated to new template. Completing Sunset Review. |



Sales, Solutions, and Legal Information

Worldwide Sales and Design Support

Cypress maintains a worldwide network of offices, solution centers, manufacturer's representatives, and distributors. To find the office closest to you, visit us at [Cypress Locations](#).

Products

| | |
|-------------------------------|--|
| Arm® Cortex® Microcontrollers | cypress.com/arm |
| Automotive | cypress.com/automotive |
| Clocks & Buffers | cypress.com/clocks |
| Interface | cypress.com/interface |
| Internet of Things | cypress.com/iot |
| Memory | cypress.com/memory |
| Microcontrollers | cypress.com/mcu |
| PSoC | cypress.com/psoc |
| Power Management ICs | cypress.com/pmic |
| Touch Sensing | cypress.com/touch |
| USB Controllers | cypress.com/usb |
| Wireless Connectivity | cypress.com/wireless |

PSoC® Solutions

[PSoC 1](#) | [PSoC 3](#) | [PSoC 4](#) | [PSoC 5LP](#) | [PSoC 6 MCU](#)

Cypress Developer Community

[Community](#) | [Projects](#) | [Video](#) | [Blogs](#) | [Training](#) | [Components](#)

Technical Support

cypress.com/support

© Cypress Semiconductor Corporation, 2005–2019. This document is the property of Cypress Semiconductor Corporation and its subsidiaries ("Cypress"). This document, including any software or firmware included or referenced in this document ("Software"), is owned by Cypress under the intellectual property laws and treaties of the United States and other countries worldwide. Cypress reserves all rights under such laws and treaties and does not, except as specifically stated in this paragraph, grant any license under its patents, copyrights, trademarks, or other intellectual property rights. If the Software is not accompanied by a license agreement and you do not otherwise have a written agreement with Cypress governing the use of the Software, then Cypress hereby grants you a personal, non-exclusive, nontransferable license (without the right to sublicense) (1) under its copyright rights in the Software (a) for Software provided in source code form, to modify and reproduce the Software solely for use with Cypress hardware products, only internally within your organization, and (b) to distribute the Software in binary code form externally to end users (either directly or indirectly through resellers and distributors), solely for use on Cypress hardware product units, and (2) under those claims of Cypress's patents that are infringed by the Software (as provided by Cypress, unmodified) to make, use, distribute, and import the Software solely for use with Cypress hardware products. Any other use, reproduction, modification, translation, or compilation of the Software is prohibited.

TO THE EXTENT PERMITTED BY APPLICABLE LAW, CYPRESS MAKES NO WARRANTY OF ANY KIND, EXPRESS OR IMPLIED, WITH REGARD TO THIS DOCUMENT OR ANY SOFTWARE OR ACCOMPANYING HARDWARE, INCLUDING, BUT NOT LIMITED TO, THE IMPLIED WARRANTIES OF MERCHANTABILITY AND FITNESS FOR A PARTICULAR PURPOSE. No computing device can be absolutely secure. Therefore, despite security measures implemented in Cypress hardware or software products, Cypress shall have no liability arising out of any security breach, such as unauthorized access to or use of a Cypress product. CYPRESS DOES NOT REPRESENT, WARRANT, OR GUARANTEE THAT CYPRESS PRODUCTS, OR SYSTEMS CREATED USING CYPRESS PRODUCTS, WILL BE FREE FROM CORRUPTION, ATTACK, VIRUSES, INTERFERENCE, HACKING, DATA LOSS OR THEFT, OR OTHER SECURITY INTRUSION (collectively, "Security Breach"). Cypress disclaims any liability relating to any Security Breach, and you shall and hereby do release Cypress from any claim, damage, or other liability arising from any Security Breach. In addition, the products described in these materials may contain design defects or errors known as errata which may cause the product to deviate from published specifications. To the extent permitted by applicable law, Cypress reserves the right to make changes to this document without further notice. Cypress does not assume any liability arising out of the application or use of any product or circuit described in this document. Any information provided in this document, including any sample design information or programming code, is provided only for reference purposes. It is the responsibility of the user of this document to properly design, program, and test the functionality and safety of any application made of this information and any resulting product. "High-Risk Device" means any device or system whose failure could cause personal injury, death, or property damage. Examples of High-Risk Devices are weapons, nuclear installations, surgical implants, and other medical devices. "Critical Component" means any component of a High-Risk Device whose failure to perform can be reasonably expected to cause, directly or indirectly, the failure of the High-Risk Device, or to affect its safety or effectiveness. Cypress is not liable, in whole or in part, and you shall and hereby do release Cypress from any claim, damage, or other liability arising from any use of a Cypress product as a Critical Component in a High-Risk Device. You shall indemnify and hold Cypress, its directors, officers, employees, agents, affiliates, distributors, and assigns harmless from and against all claims, costs, damages, and expenses, arising out of any claim, including claims for product liability, personal injury or death, or property damage arising from any use of a Cypress product as a Critical Component in a High-Risk Device. Cypress products are not intended or authorized for use as a Critical Component in any High-Risk Device except to the limited extent that (i) Cypress's published data sheet for the product explicitly states Cypress has qualified the product for use in a specific High-Risk Device, or (ii) Cypress has given you advance written authorization to use the product as a Critical Component in the specific High-Risk Device and you have signed a separate indemnification agreement.

Cypress, the Cypress logo, Spansion, the Spansion logo, and combinations thereof, WICED, PSoC, CapSense, EZ-USB, F-RAM, and Traveo are trademarks or registered trademarks of Cypress in the United States and other countries. For a more complete list of Cypress trademarks, visit cypress.com. Other names and brands may be claimed as property of their respective owners.

OUR CERTIFICATE

DiGi provide top-quality products and perfect service for customer worldwide through standardization, technological innovation and continuous improvement. DiGi through third-party certification, we stricly control the quality of products and services. Welcome your RFQ to

Email: Info@DiGi-Electronics.com



Tel: +00 852-30501935

RFQ Email: Info@DiGi-Electronics.com

DiGi is a global authorized distributor of electronic components.