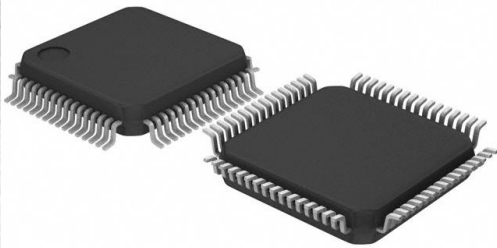


CY90F352TESPMC-GS-A-SPE1 Datasheet

www.digi-electronics.com



<https://www.DiGi-Electronics.com>

DiGi Electronics Part Number	CY90F352TESPMC-GS-A-SPE1-DG
Manufacturer	Infineon Technologies
Manufacturer Product Number	CY90F352TESPMC-GS-A-SPE1
Description	IC MCU 16BIT 128KB FLASH 64LQFP
Detailed Description	F ² MC-16LX F ² MC-16LX MB90350E Microcontroller IC 16-Bit 24MHz 128KB (128K x 8) FLASH 64-LQFP (12 x12)

This model CY90F352TESPMC-GS-A-SPE1 is available at DiGi Electronics.

DiGi Electronics offers a global database of semiconductor and electronic component datasheets.

We welcome your inquiries regarding pricing, lead time, or other product-related questions.

 [Request a Quote](#)

 [Datasheet Search](#)



Tel: +00 852-30501935

RFQ Email: Info@DiGi-Electronics.com

DiGi is a global authorized distributor of electronic components.

Purchase and inquiry

Manufacturer Product Number:

CY90F352TESPMC-GS-A-SPE1

Series:

F²MC-16LX MB90350E

DiGi-Electronics Programmable:

Not Verified

Core Size:

16-Bit

Connectivity:

CANbus, EBI/EMI, I2C, LINbus, UART/USART

Number of I/O:

51

Program Memory Type:

FLASH

RAM Size:

4K x 8

Data Converters:

A/D 15x8/10b

Operating Temperature:

-40°C ~ 125°C (TA)

Supplier Device Package:

64-LQFP (12x12)

Base Product Number:

CY90F352

Manufacturer:

Infineon Technologies

Product Status:

Obsolete

Core Processor:

F²MC-16LX

Speed:

24MHz

Peripherals:

DMA, LVD, POR, WDT

Program Memory Size:

128KB (128K x 8)

EEPROM Size:

-

Voltage - Supply (Vcc/Vdd):

3.5V ~ 5.5V

Oscillator Type:

Internal

Mounting Type:

Surface Mount

Package / Case:

64-LQFP

Environmental & Export classification

RoHS Status:

ROHS3 Compliant

REACH Status:

REACH Unaffected

HTSUS:

8542.31.0001

Moisture Sensitivity Level (MSL):

3 (168 Hours)

ECCN:

EAR99



Please note that Cypress is an Infineon Technologies Company.

The document following this cover page is marked as “Cypress” document as this is the company that originally developed the product. Please note that Infineon will continue to offer the product to new and existing customers as part of the Infineon product portfolio.

Continuity of document content

The fact that Infineon offers the following product as part of the Infineon product portfolio does not lead to any changes to this document. Future revisions will occur when appropriate, and any changes will be set out on the document history page.

Continuity of ordering part numbers

Infineon continues to support existing part numbers. Please continue to use the ordering part numbers listed in the datasheet for ordering.



The following document contains information on Cypress products. The document has the series name, product name, and ordering part numbering with the prefix “MB”. However, Cypress will offer these products to new and existing customers with the series name, product name, and ordering part number with the prefix “CY”.

How to Check the Ordering Part Number

1. Go to www.cypress.com/pcn.
2. Enter the keyword (for example, ordering part number) in the **SEARCH PCNS** field and click **Apply**.
3. Click the corresponding title from the search results.
4. Download the Affected Parts List file, which has details of all changes

For More Information

Please contact your local sales office for additional information about Cypress products and solutions.

About Cypress

Cypress is the leader in advanced embedded system solutions for the world's most innovative automotive, industrial, smart home appliances, consumer electronics and medical products. Cypress' microcontrollers, analog ICs, wireless and USB-based connectivity solutions and reliable, high-performance memories help engineers design differentiated products and get them to market first. Cypress is committed to providing customers with the best support and development resources on the planet enabling them to disrupt markets by creating new product categories in record time. To learn more, go to www.cypress.com.



MB90350E Series

F²MC-16LX16-bit Microcontrollers

The MB90350E series, loaded 1 channel FULL-CAN* interface and Flash ROM, is general-purpose Cypress 16-bit microcontroller designing for automotive and industrial applications. Its main feature is the on-board CAN interface, which conforms to CAN standard Version 2.0 Part A and Part B, while supporting a very flexible message buffer scheme and so offering more functions than a normal full CAN approach.

The power supply (3 V) is supplied to the MCU core from an internal regulator circuit. This creates a major advantage in terms of EMI and power consumption.

The PLL clock multiplication circuit provides an internal 42 ns instruction execution time from an external 4 MHz clock. Also, the clock supervisor function can monitor main clock and sub clock independently.

As the peripheral resources, the unit features a 4-channel Output Compare Unit, 6-channel Input Capture Unit, 2 separate 16-bit free-run timers, 2-channel LIN-UART and 15-channel 8/10-bit A/D converter built-in.

: Controller Area Network (CAN) - License of Robert Bosch GmbH

Features

Clock

- Built-in PLL clock frequency multiplication circuit
- Selection of machine clocks (PLL clocks) is allowed among frequency division by two on oscillation clock, and multiplication of 1 to 6 times of oscillation clock (for 4 MHz oscillation clock, 4 MHz to 24 MHz).
- Operation by sub clock (up to 50 kHz : 100 kHz oscillation clock divided by two) is allowed (devices without S-suffix only) .
- Minimum execution time of instruction : 42 ns (when operating with 4-MHz oscillation clock, and 6-time multiplied PLL clock).
- Built-in clock modulation circuit

16 Mbytes CPU memory space

24-bit internal addressing

Instruction system best suited to controller

- Wide choice of data types (bit, byte, word, and long word)
- Wide choice of addressing modes (23 types)
- Enhanced multiply-divide instructions with sign and RETI instructions

Clock supervisor (MB90x356x and MB90x357x only)

Main clock or sub clock is monitored independently.

Enhanced high-precision computing with 32-bit accumulator

Instruction system compatible with high-level language (C language) and multitask

- Employing system stack pointer
- Enhanced various pointer indirect instructions
- Barrel shift instructions

Increased processing speed

4-byte instruction queue

Powerful interrupt function

- Powerful 8-level, 34-condition interrupt feature
- Up to 8 channels external interrupts are supported.

Automatic data transfer function independent of CPU

- Extended intelligent I/O service function (EI²OS): up to 16 channels
- DMA: up to 16 channels

Low power consumption (standby) mode

- Sleep mode (a mode that stops CPU operating clock)
- Main timer mode (a timebase timer mode switched from the main clock mode)
- PLL timer mode (a timebase timer mode switched from the PLL clock mode)
- Watch mode (a mode that operates sub clock and watch timer only)
- Stop mode (a mode that stops oscillation clock and sub clock)
- CPU intermittent operation mode

Process

CMOS technology

I/O port

- General-purpose input/output port (CMOS output)
 - 49 ports (devices without S-suffix : devices that correspond to sub clock)
 - 51 ports (devices with S-suffix : devices that do not correspond to sub clock)

Sub clock pin (X0A, X1A)

- Yes (using the external oscillation) : devices without S-suffix
- No (using the sub clock mode at internal CR oscillation) : devices with S-suffix

Timer

- Timebase timer, watch timer, watchdog timer : 1 channel



- 8/16-bit PPG timer : 8-bit ∞ 10 channels or 16-bit \times 6 channels
- 16-bit reload timer : 2 channels (only Evaluation products has 4 channels)
- 16-bit input/output timer
 - 16-bit free-run timer : 2 channels (FRT0 : ICU0/1, FRT1 : ICU4/5/6/7, OCU4/5/6/7)
 - 16-bit input capture: (ICU) : 6 channels
 - 16-bit output compare : (OCU) : 4 channels

FULL-CAN interface: 1 channel

- Compliant with CAN standard Version2.0 Part A and Part B
- 16 message buffers are built-in
- CAN wake-up function

LIN-UART: 2 channels

- Equipped with full-duplex double buffer
- Clock-asynchronous or clock-synchronous serial transmission is available.

I²C interface: 1 channel

Up to 400 kbps transfer rate

DTP/External interrupt: 8 channels, CAN wakeup: 1 channel

Module for activation of extended intelligent I/O service (Ei²OS), DMA, and generation of external interrupt by external input.

Delay interrupt generator module

Generates interrupt request for task switching.

8/10-bit A/D converter: 15 channels

- Resolution is selectable between 8-bit and 10-bit.
- Activation by external trigger input is allowed.
- Conversion time : 3 μ s (at 24 MHz machine clock, including sampling time)

Address matching detection (Program patch) function

- Address matching detection for 6 address pointers.

Capable of changing input voltage level for port

- Automotive/CMOS-Schmitt (initial level is Automotive in single chip mode)
- TTL level (corresponds to external bus pins only, initial level of these pins is TTL in external bus mode)

Low voltage/CPU operation detection reset (devices with T-suffix)

- Detects low voltage (4.0 V \pm 0.3 V) and resets automatically
- Resets automatically when program is runaway and counter is not cleared within interval time (approx. 262 ms : external 4 MHz)

Dual operation Flash memory (only devices 128 Kbytes Flash memory)

- Erase/write and read can be executed in the different bank (Upper Bank/Lower Bank) at the same time.

Supported T_A = + 125°C

The maximum operating frequency is 24 MHz* : (at T_A = +125°C) .

Flash security function

- Protects the content of Flash memory (MB90F352x, MB90F357x only)

External bus interface

- 4 Mbytes external memory space MB90F351E(S), MB90F351TE(S), MB90F352E(S), MB90F352TE(S) : External bus Interface can not be used in internal vector mode. It can be used only in external vector mode.

* : If used exceeding T_A = + 105 °C, be sure to contact Cypress for reliability limitations.



Contents

Product Lineup1 (Without Clock supervisor function)	4	Reset Standby Input	62
Product Lineup 2 (With Clock supervisor function)	7	Power On Reset	63
Packages and Product Correspondence	12	Clock Output Timing	63
Pin Assignments	13	Bus Timing (Read)	64
Pin Description	14	Bus Timing (Write)	66
I/O Circuit Type	19	Ready Input Timing	67
Handling Devices	22	Hold Timing	68
Block Diagrams	27	LIN-UART2/3	69
Memory Map	33	Trigger Input Timing	73
I/O Map	34	Timer Related Resource Input Timing	74
CAN Controllers	42	Timer Related Resource Output Timing	74
Interrupt Factors, Interrupt Vectors, Interrupt		I2C Timing	75
Control Register	50	A/D Converter	76
Electrical Characteristics	51	Definition of A/D Converter Terms	80
Absolute Maximum Ratings	51	Flash Memory Program/Erase Characteristics	82
Recommended Operating Conditions	53	Ordering Information	83
DC Characteristics	54	Package Dimensions	85
AC Characteristics	59	Major Changes	87
Clock Timing	59		



1. Product Lineup1 (Without Clock supervisor function)

■ Flash memory products

Part Number	MB90F351E MB90F352E	MB90F351TE MB90F352TE	MB90F351ES MB90F352ES	MB90F351TES MB90F352TES
Type	Flash memory products			
CPU	F ² MC-16LX CPU			
System clock	PLL clock multiplication circuit (× 1, × 2, × 3, × 4, × 6, 1/2 when PLL stops) Minimum instruction execution time : 42 ns (oscillation clock 4 MHz, PLL × 6)			
ROM	64 Kbytes Flash memory : MB90F351E(S), MB90F351TE(S) 128 Kbytes Dual operation Flash memory (Erase/write and read can be operated at the same time) : MB90F352E(S), MB90F352TE(S)			
RAM	4 Kbytes			
Emulator-specific power supply*	—			
Sub clock pin (X0A, X1A) (Max 100 kHz)	Yes		No	
Clock supervisor	No			
Low voltage/CPU operation detection reset	No	Yes	No	Yes
Operating voltage	3.5 V to 5.5 V : at normal operating (not using A/D converter) 4.0 V to 5.5 V : at using A/D converter/Flash programming 4.5 V to 5.5 V : at using external bus			
Operating temperature	−40°C to +125°C			
Package	LQFP-64			
LIN-UART	2 channels			
	Wide range of baud rate settings using a dedicated baud rate generator (reload timer) Special synchronous options for adapting to different synchronous serial protocols LIN functionality working either as master or slave LIN device			
I ² C (400 kbps)	1 channel			
A/D converter	15 channels			
	10-bit or 8-bit resolution Conversion time : Min 3 μs includes sample time (per one channel)			
16-bit reload timer (2 channels)	Operation clock frequency : $f_{sys}/2^1$, $f_{sys}/2^3$, $f_{sys}/2^5$ (f_{sys} = Machine clock frequency) Supports External Event Count function.			
16-bit Free-run timer (2 channels)	Free-run Timer 0 (clock input FRCK0) corresponds to ICU0/1. Free-run Timer 1 (clock input FRCK1) corresponds to ICU4/5/6/7, OCU4/5/6/7.			
	Signals an interrupt when overflowing. Supports Timer Clear when it matches Output Compare (ch.0, ch.4) . Operation clock frequency : f_{sys} , $f_{sys}/2^1$, $f_{sys}/2^2$, $f_{sys}/2^3$, $f_{sys}/2^4$, $f_{sys}/2^5$, $f_{sys}/2^6$, $f_{sys}/2^7$ (f_{sys} = Machine clock frequency)			
16-bit output compare	4 channels			
	Signals an interrupt when 16-bit free-run Timer matches with output compare registers. A pair of compare registers can be used to generate an output signal.			

(Continued)



(Continued)

Part Number	MB90F351E MB90F352E	MB90F351TE MB90F352TE	MB90F351ES MB90F352ES	MB90F351TES MB90F352TES
16-bit Input capture	6 channels			
	Retains 16-bit free-run timer value by (rising edge, falling edge or rising & falling edge) , signals an interrupt.			
8/16-bit programmable pulse generator	6 channels (16-bit)/10 channels (8-bit) 8-bit reload counters × 12 8-bit reload registers for L pulse width × 12 8-bit reload registers for H pulse width×12			
	Supports 8-bit and 16-bit operation modes. A pair of 8-bit reload counters can be configured as one 16-bit reload counter or as 8-bit prescaler + 8-bit reload counter. Operation clock frequency : f_{sys} , $f_{sys}/2^1$, $f_{sys}/2^2$, $f_{sys}/2^3$, $f_{sys}/2^4$ or $128 \mu s @ f_{osc} = 4 \text{ MHz}$ (f_{sys} = Machine clock frequency, f_{osc} = Oscillation clock frequency)			
CAN interface	1 channel			
	Compliant with CAN standard Version2.0 Part A and Part B. Automatic re-transmission in case of error Automatic transmission responding to Remote Frame 16 prioritized message buffers for data and ID Supports multiple messages. Flexible configuration of acceptance filtering : Full bit compare/Full bit mask/Two partial bit masks Supports up to 1 Mbps.			
External interrupt	8 channels			
	Can be used rising edge, falling edge, starting up by "H"/"L" level input, external interrupt, extended intelligent I/O services (EI ² OS) and DMA.			
D/A converter	—			
I/O ports	Virtually all external pins can be used as general purpose I/O port. All push-pull outputs Bit-wise settable as input/output or peripheral signal Settable as CMOS schmitt trigger/ automotive inputs TTL input level settable for external bus (only for external bus pin)			
Flash memory	Supports automatic programming, Embedded Algorithm Write/Erase/Erase-Suspend/Resume commands A flag indicating completion of the algorithm Number of erase cycles : 10000 times Data retention time : 20 years Boot block configuration Erase can be performed on each block. Block protection with external programming voltage Flash Security Feature for protecting the content of the Flash (MB90F352E(S) and MB90F352TE(S) only)			
Corresponding evaluation name	MB90V340E-102		MB90V340E-101	

* : It is setting of Jumper switch (TOOL VCC) when Emulator (MB2147-01) is used.
Please refer to the Emulator hardware manual about details.



MB90350E Series

■ MASK ROM products/Evaluation products

Part Number	MB90351E MB90352E	MB90351TE MB90352TE	MB90351ES MB90352ES	MB90351TES MB90352TES	MB90V340E-1 01	MB90V340E-1 02
Type	MASK ROM products				Evaluation products	
CPU	F ² MC-16LX CPU					
System clock	PLL clock multiplication circuit (×1, ×2, ×3, ×4, ×6, 1/2 when PLL stops) Minimum instruction execution time : 42 ns (oscillation clock 4 MHz, PLL × 6)					
ROM	MASK ROM 64 Kbytes : MB90351E(S), MB90351TE(S) 128 Kbytes : MB90352E(S), MB90352TE(S)				External	
RAM	4 Kbytes				30 Kbytes	
Emulator-specific power supply*	—				Yes	
Sub clock pin (X0A, X1A) (Max 100 kHz)	Yes		No		No	Yes
Clock supervisor	No					
Low voltage/CPU operation detection reset	No	Yes	No	Yes	No	
Operating voltage range	3.5 V to 5.5 V : at normal operating (not using A/D converter) 4.0 V to 5.5 V : at using A/D converter 4.5 V to 5.5 V : at using external bus				5 V ± 10%	
Operating temperature range	-40°C to +125°C				—	
Package	LQFP-64				PGA-299	
LIN-UART	2 channels				5 channels	
	Wide range of baud rate settings using a dedicated baud rate generator (reload timer) Special synchronous options for adapting to different synchronous serial protocols LIN functionality working either as master or slave LIN device					
I ² C (400 kbps)	1 channel				2 channels	
A/D converter	15 channels				24 channels	
	10-bit or 8-bit resolution Conversion time : Min 3 μs includes sample time (per one channel)					
16-bit reload timer	2 channels				4 channels	
	Operation clock frequency : $f_{sys}/2^1$, $f_{sys}/2^3$, $f_{sys}/2^5$ (f_{sys} = Machine clock frequency) Supports External Event Count function.					
16-bit free-run timer (2 channels)	Free-run Timer 0 (clock input FRCK0) corresponds to ICU0/1. Free-run Timer 1 (clock input FRCK1) corresponds to ICU4/5/6/7, OCU4/5/6/7.				Free-run Timer 0 corresponds to ICU0/1/2/3, OCU0/1/2/3. Free-run Timer 1 corresponds to ICU4/5/6/7, OCU4/5/6/7.	
	Signals an interrupt when overflowing. Supports Timer Clear when it matches Output Compare (ch.0, ch.4) . Operation clock frequency : f_{sys} , $f_{sys}/2^1$, $f_{sys}/2^2$, $f_{sys}/2^3$, $f_{sys}/2^4$, $f_{sys}/2^5$, $f_{sys}/2^6$, $f_{sys}/2^7$ (f_{sys} = Machine clock frequency)					

(Continued)



(Continued)

Part Number	MB90351E MB90352E	MB90351TE MB90352TE	MB90351ES MB90352ES	MB90351TES MB90352TES	MB90V340E-1 01	MB90V340E-1 02
Parameter						
16-bit output compare	4 channels				8 channels	
	Signals an interrupt when 16-bit free-run Timer matches output compare registers. A pair of compare registers can be used to generate an output signal.					
16-bit input capture	6 channels				8 channels	
	Retains 16-bit free-run timer value by (rising edge, falling edge, or the both edges), signals an interrupt.					
8/16-bit programmable pulse generator	6 channels (16-bit)/10 channels (8-bit) 8-bit reload counters × 12 8-bit reload registers for L pulse width×12 8-bit reload registers for H pulse width×12				8 channels (16-bit)/ 16 channels (8-bit) 8-bit reload counters × 16 8-bit reload registers for L pulse width × 16 8-bit reload registers for H pulse width × 16	
	Supports 8-bit and 16-bit operation modes. A pair of 8-bit reload counters can be configured as one 16-bit reload counter or as 8-bit prescaler + 8-bit reload counter. Operation clock frequency : f_{sys} , $f_{sys}/2^1$, $f_{sys}/2^2$, $f_{sys}/2^3$, $f_{sys}/2^4$ or $128 \mu s @ f_{osc} = 4 \text{ MHz}$ (f_{sys} = Machine clock frequency, f_{osc} = Oscillation clock frequency)					
CAN interface	1 channel				3 channels	
	Compliant with CAN standard Version 2.0 Part A and Part B. Automatic re-transmission in case of error Automatic transmission responding to Remote Frame 16 prioritized message buffers for data and ID Supports multiple messages. Flexible configuration of acceptance filtering : Full bit compare/Full bit mask/Two partial bit masks Supports up to 1 Mbps.					
External interrupt	8 channels				16 channels	
	Can be used rising edge, falling edge, starting up by "H"/"L" level input, external interrupt, extended intelligent I/O services (EI ² OS) and DMA.					
D/A converter	—				2 channels	
I/O ports	Virtually all external pins can be used as general purpose I/O port. All push-pull outputs Bit-wise settable as input/output or peripheral signal Settable as CMOS schmitt trigger/ automotive inputs TTL input level settable for external bus (only for external bus pin)					
Flash memory	—					
Corresponding evaluation name	MB90V340E-102		MB90V340E-101		—	

* : It is setting of Jumper switch (TOOL VCC) when Emulator (MB2147-01) is used.
Please refer to the Emulator hardware manual about details.



2. Product Lineup 2 (With Clock supervisor function)

■ Flash memory products

Part Number	MB90F356E MB90F357E	MB90F356TE MB90F357TE	MB90F356ES MB90F357ES	MB90F356TES MB90F357TES
Type	Flash memory products			
CPU	F ² MC-16LX CPU			
System clock	On-chip PLL clock multiplier (×1, ×2, ×3, ×4, ×6, 1/2 when PLL stops) Minimum instruction execution time : 42 ns (oscillation clock 4 MHz, PLL × 6)			
ROM	64 Kbytes Flash memory : MB90F356E(S), MB90F356TE(S) 128 Kbytes Dual operation Flash memory (Erase/write and read can be operated at the same time) : MB90F357E(S), MB90F357TE(S)			
RAM	4 Kbytes			
Emulator-specific power supply*	—			
Sub clock pin (X0A, X1A)	Yes		No	
Clock supervisor	Yes			
Low voltage/CPU operation detection reset	No	Yes	No	Yes
Operating voltage range	3.5 V to 5.5 V : at normal operating (not using A/D converter) 3.5 V to 5.5 V : at using A/D converter/Flash programming 3.5 V to 5.5 V : at using external bus			
Operating temperature range	−40°C to +125°C			
Package	LQFP-64			
LIN-UART	2 channels			
	Wide range of baud rate settings using a dedicated baud rate generator (reload timer) Special synchronous options for adapting to different synchronous serial protocols LIN functionality working either as master or slave LIN device			
I ² C (400 kbps)	1 channel			
A/D converter	15 channels			
	10-bit or 8-bit resolution Conversion time : Min 3 μs includes sample time (per one channel)			
16-bit reload timer (4 channels)	Operation clock frequency : $f_{sys}/2^1$, $f_{sys}/2^3$, $f_{sys}/2^5$ (f_{sys} = Machine clock frequency) Supports External Event Count function.			
16-bit free-run timer (2 channels)	Free-run Timer 0 (clock input FRCK0) corresponds to ICU 0/1. Free-run Timer 1 (clock input FRCK1) corresponds to ICU 4/5/6/7, OCU 4/5/6/7.			
	Signals an interrupt when overflowing. Supports Timer Clear when a match with Output Compare (Channel 0, 4) . Operation clock frequency : f_{sys} , $f_{sys}/2^1$, $f_{sys}/2^2$, $f_{sys}/2^3$, $f_{sys}/2^4$, $f_{sys}/2^5$, $f_{sys}/2^6$, $f_{sys}/2^7$ (f_{sys} = Machine clock frequency)			
16-bit output compare	4 channels			
	Signals an interrupt when 16-bit free-run Timer matches with output compare registers. A pair of compare registers can be used to generate an output signal.			



(Continued)

Part Number	MB90F356E MB90F357E	MB90F356TE MB90F357TE	MB90F356ES MB90F357ES	MB90F356TES MB90F357TES
16-bit input capture	6 channels Retains 16-bit free-run timer value by (rising edge, falling edge or rising & falling edge), signals an interrupt.			
8/16-bit programmable pulse generator	6 channels (16-bit)/10 channels (8-bit) 8-bit reload counters × 12 8-bit reload registers for L pulse width×12 8-bit reload registers for H pulse width×12 Supports 8-bit and 16-bit operation modes. A pair of 8-bit reload counters can be configured as one 16-bit reload counter or as 8-bit prescaler + 8-bit reload counter. Operation clock frequency : f_{sys} , $f_{sys}/2^1$, $f_{sys}/2^2$, $f_{sys}/2^3$, $f_{sys}/2^4$ or $128 \mu s @ f_{osc} = 4 \text{ MHz}$ (f_{sys} = Machine clock frequency, f_{osc} = Oscillation clock frequency)			
CAN interface	1 channel Conforms to CAN Specification Version 2.0 Part A and B. Automatic re-transmission in case of error Automatic transmission responding to Remote Frame Prioritized 16 message buffers for data and ID Supports multiple messages. Flexible configuration of acceptance filtering : Full bit compare/Full bit mask/Two partial bit masks Supports up to 1 Mbps.			
External interrupt	8 channels Can be used rising edge, falling edge, starting up by H/L level input, external interrupt, extended intelligent I/O services (EI ² OS) and DMA.			
D/A converter	—			
I/O ports	Virtually all external pins can be used as general purpose I/O port. All push-pull outputs Bit-wise settable as input/output or peripheral module signal Settable as CMOS schmitt trigger/ automotive inputs TTL input level settable for external bus (only for external bus pin)			
Flash memory	Supports automatic programming, Embedded Algorithm Write/Erase/Erase-Suspend/Resume commands A flag indicating completion of the algorithm Number of erase cycles : 10000 times Data retention time : 20 years Boot block configuration Erase can be performed on each block. Block protection with external programming voltage Flash Security Feature for protecting the content of the Flash (MB90F357x only)			
Corresponding EVA name	MB90V340E-104		MB90V340E-103	

* : It is setting of Jumper switch (TOOL VCC) when Emulator (MB2147-01) is used.
Please refer to the Emulator hardware manual about details.



■ MASK ROM products/Evaluation products

Part Number	MB90356E MB90357E	MB90356TE MB90357TE	MB90356ES MB90357ES	MB90356TES MB90357TES	MB90V340E-1 03	MB90V340E-1 04
CPU	F ² MC-16LX CPU					
System clock	On-chip PLL clock multiplier (×1, ×2, ×3, ×4, ×6, 1/2 when PLL stops) Minimum instruction execution time : 42 ns (oscillation clock 4 MHz, PLL × 6)					
ROM	MASK ROM 64 Kbytes :MB90356E(S), MB90356TE(S) 128 Kbytes :MB90357E(S), MB90357TE(S)				External	
RAM	4 Kbytes				30 Kbytes	
Emulator-specific power supply*	—				Yes	
Sub clock pin (X0A, X1A)	Yes		No		No	Yes
Clock supervisor	Yes					
Low voltage/CPU operation detection reset	No	Yes	No	Yes	No	
Operating voltage range	3.5 V to 5.5 V : at normal operating (not using A/D converter) 4.0 V to 5.5 V : at using A/D converter 4.5 V to 5.5 V : at using external bus				5 V ± 10%	
Operating temperature range	-40°C to +125°C				—	
Package	LQFP-64				PGA-299	
LIN-UART	2 channels				5 channels	
	Wide range of baud rate settings using a dedicated baud rate generator (reload timer) Special synchronous options for adapting to different synchronous serial protocols LIN functionality working either as master or slave LIN device					
	1 channel				2 channels	
A/D converter	15 channels				24 channels	
	10-bit or 8-bit resolution Conversion time : Min 3 μs includes sample time (per one channel)					
16-bit reload timer (4 channels)	Operation clock frequency : $f_{sys}/2^1$, $f_{sys}/2^3$, $f_{sys}/2^5$ (f_{sys} = Machine clock frequency) Supports External Event Count function.					
16-bit free-run timer (2 channels)	Free-run Timer 0 (clock input FRCK0) corresponds to ICU 0/1. Free-run Timer 1 (clock input FRCK1) corresponds to ICU 4/5/6/7, OCU 4/5/6/7.				Free-run Timer 0 corresponds to ICU 0/1/2/3, OCU 0/1/2/3. Free-run Timer 1 corresponds to ICU 4/5/6/7, OCU 4/5/6/7.	
	Signals an interrupt when overflowing. Supports Timer Clear when a match with Output Compare (Channel 0, 4). Operation clock frequency : f_{sys} , $f_{sys}/2^1$, $f_{sys}/2^2$, $f_{sys}/2^3$, $f_{sys}/2^4$, $f_{sys}/2^5$, $f_{sys}/2^6$, $f_{sys}/2^7$ (f_{sys} = Machine clock frequency)					

(Continued)



(Continued)

Part Number Parameter	MB90356E MB90357E	MB90356TE MB90357TE	MB90356ES MB90357ES	MB90356TES MB90357TES	MB90V340E-1 03	MB90V340E-1 04
16-bit output compare	4 channels				8 channels	
	Signals an interrupt when 16-bit free-run Timer matches with output compare registers. A pair of compare registers can be used to generate an output signal.					
16-bit input capture	6 channels				8 channels	
	Retains 16-bit free-run timer value by (rising edge, falling edge or rising & falling edge), signals an interrupt.					
8/16-bit programmable pulse generator	6 channels (16-bit)/10 channels (8-bit) 8-bit reload counters×12 8-bit reload registers for L pulse width × 12 8-bit reload registers for H pulse width × 12				8 channels (16-bit)/ 16 channels (8-bit) 8-bit reload counters×16 8-bit reload registers for L pulse width×16 8-bit reload registers for H pulse width×16	
	Supports 8-bit and 16-bit operation modes. A pair of 8-bit reload counters can be configured as one 16-bit reload counter or as 8-bit prescaler + 8-bit reload counter. Operation clock frequency : f_{sys} , $f_{sys}/2^1$, $f_{sys}/2^2$, $f_{sys}/2^3$, $f_{sys}/2^4$ or $128 \mu s @ f_{osc} = 4 \text{ MHz}$ (f_{sys} = Machine clock frequency, f_{osc} = Oscillation clock frequency)					
CAN interface	1 channel				3 channels	
	Conforms to CAN Specification Version 2.0 Part A and B. Automatic re-transmission in case of error Automatic transmission responding to Remote Frame Prioritized 16 message buffers for data and ID Supports multiple messages. Flexible configuration of acceptance filtering : Full bit compare/Full bit mask/Two partial bit masks Supports up to 1 Mbps.					
External interrupt	8 channels				16 channels	
	Can be used rising edge, falling edge, starting up by H/L level input, external interrupt, extended intelligent I/O services (EI ² OS) and DMA.					
D/A converter	—				2 channels	
I/O ports	Virtually all external pins can be used as general purpose I/O port. All push-pull outputs Bit-wise settable as input/output or peripheral module signal Settable as CMOS schmitt trigger/ automotive inputs TTL input level settable for external bus (only for external bus pin)					
Flash memory	—					
Corresponding EVA name	MB90V340E-104		MB90V340E-103		—	

* : It is setting of Jumper switch (TOOL VCC) when Emulator (MB2147-01) is used.
Please refer to the Emulator hardware manual about details.



3. Packages and Product Correspondence

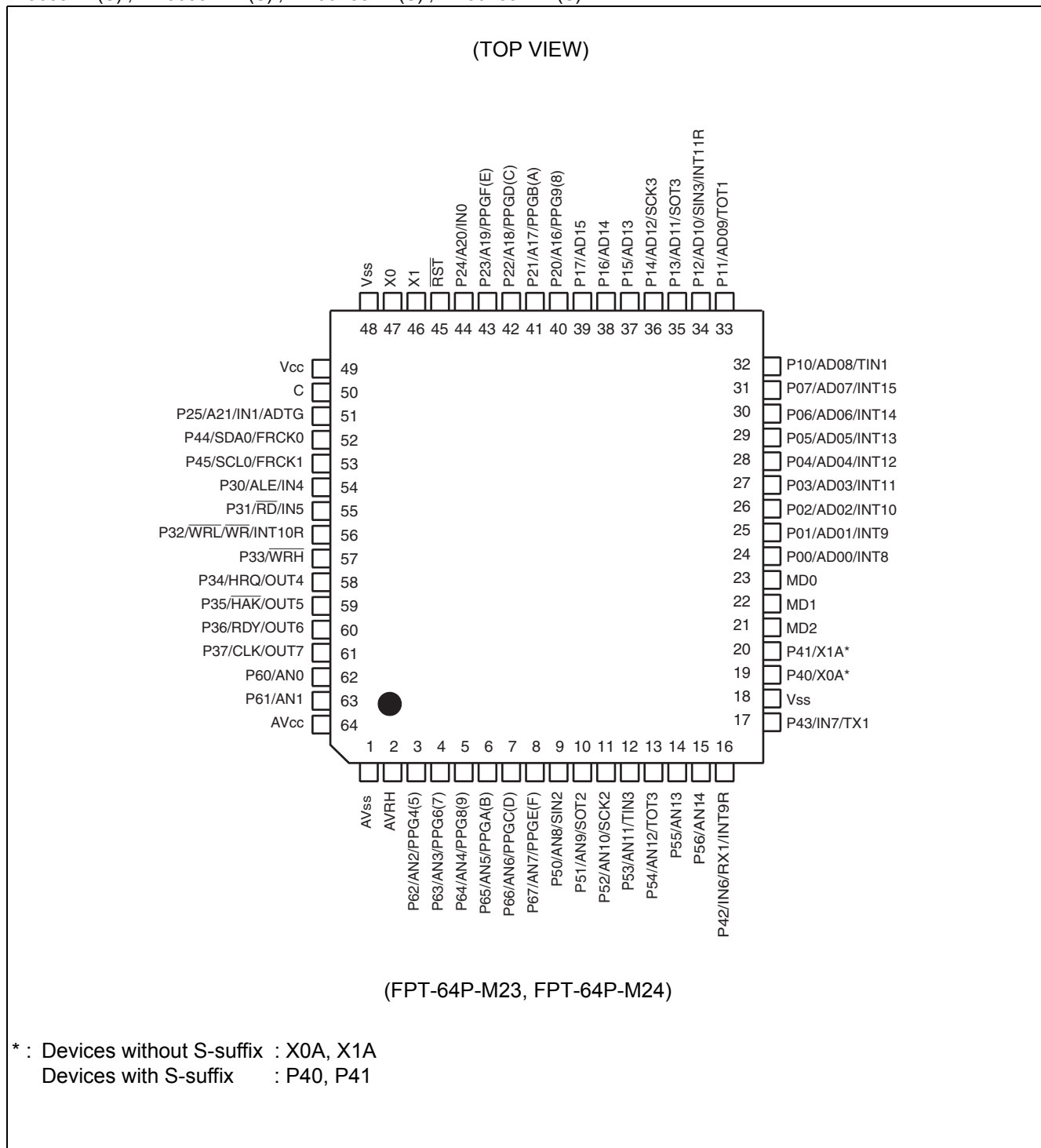
Package	MB90V340E-101 MB90V340E-102 MB90V340E-103 MB90V340E-104	MB90351E (S) , MB90351TE (S) MB90F351E (S) , MB90F351TE (S) MB90352E (S) , MB90352TE (S) MB90F352E (S) , MB90F352TE (S) MB90356E (S) , MB90356TE (S) MB90F356E (S) , MB90F356TE (S) MB90357E (S) , MB90357TE (S) MB90F357E (S) , MB90F357TE (S)
PGA-299C-A01	○	×
FPT-64P-M23 (12.0 mm □, 0.65 mm pitch)	×	○
FPT-64P-M24 (10.0 mm □, 0.50 mm pitch)	×	○

○ : Yes, × : No

Note : Refer to "[Package Dimensions](#)" for detail of each package.

4. Pin Assignments

- MB90351E (S), MB90351TE (S), MB90F351E (S), MB90F351TE (S), MB90352E (S), MB90352TE (S), MB90F352E (S), MB90F352TE (S), MB90356E (S), MB90356TE (S), MB90F356E (S), MB90F356TE (S), MB90357E (S), MB90357TE (S), MB90F357E (S), MB90F357TE (S)





5. Pin Description

Pin No.	Pin name	I/O Circuit type*	Function
46	X1	A	Oscillation output pin
47	X0		Oscillation input pin
45	RST	E	Reset input pin
3 to 8	P62 to P67	I	General purpose I/O ports
	AN2 to AN7		Analog input pins for A/D converter
	PPG4 (5), 6 (7), 8 (9), A (B), C (D), E (F)		Output pins for PPGs
9	P50	O	General purpose I/O port
	AN8		Analog input pin for A/D converter
	SIN2		Serial data input pin for UART2
10	P51	I	General purpose I/O port
	AN9		Analog input pin for A/D converter
	SOT2		Serial data output pin for UART2
11	P52	I	General purpose I/O port
	AN10		Analog input pin for A/D converter
	SCK2		Serial clock I/O pin for UART2
12	P53	I	General purpose I/O port
	AN11		Analog input pin for A/D converter
	TIN3		Event input pin for reload timer3
13	P54	I	General purpose I/O port
	AN12		Analog input pin for A/D converter
	TOT3		Output pin for reload timer3
14, 15	P55, P56	I	General purpose I/O ports
	AN13, AN14		Analog input pins for A/D converter
16	P42	F	General purpose I/O port
	IN6		Data sample input pin for input capture ICU6
	RX1		RX input pin for CAN1
	INT9R		External interrupt request input pin for INT9
17	P43	F	General purpose I/O port
	IN7		Data sample input pin for input capture ICU7
	TX1		TX output pin for CAN1
19, 20	P40, P41	F	General purpose I/O ports (devices with S-suffix and MB90V340E-101/103)
	X0A, X1A	B	X0A : Oscillation input pin for sub clock X1A : Oscillation output pin for sub clock (devices without S-suffix and MB90V340E-102/104)

(Continued)



Pin No.	Pin name	I/O Circuit type*	Function
24 to 31	P00 to P07	G	General purpose I/O ports. The register can be set to select whether to use a pull-up resistor. This function is enabled in single-chip mode.
	AD00 to AD07		Input/output pins of external address data bus lower 8 bits. This function is enabled when the external bus is enabled.
	INT8 to INT15		External interrupt request input pins for INT8 to INT15
32	P10	G	General purpose I/O port. The register can be set to select whether to use a pull-up resistor. This function is enabled in single-chip mode.
	AD08		Input/output pin for external bus address data bus bit 8. This function is enabled when external bus is enabled.
	TIN1		Event input pin for reload timer1
33	P11	G	General purpose I/O port. The register can be set to select whether to use a pull-up resistor. This function is enabled in single-chip mode.
	AD09		Input/output pin for external bus address data bus bit 9. This function is enabled when external bus is enabled.
	TOT1		Output pin for reload timer1
34	P12	N	General purpose I/O port. The register can be set to select whether to use a pull-up resistor. This function is enabled in single-chip mode.
	AD10		Input/output pin for external bus address data bus bit 10. This function is enabled when external bus is enabled.
	SIN3		Serial data input pin for UART3
	INT11R		External interrupt request input pin for INT11
35	P13	G	General purpose I/O port. The register can be set to select whether to use a pull-up resistor. This function is enabled in single-chip mode.
	AD11		Input/output pin for external bus address data bus bit 11. This function is enabled when external bus is enabled.
	SOT3		Serial data output pin for UART3
36	P14	G	General purpose I/O port. The register can be set to select whether to use a pull-up resistor. This function is enabled in single-chip mode.
	AD12		Input/output pin for external bus address data bus bit 12. This function is enabled when external bus is enabled.
	SCK3		Clock input/output pin for UART3
37	P15	N	General purpose I/O port. The register can be set to select whether to use a pull-up resistor. This function is enabled in single-chip mode.
	AD13		Input/output pin for external bus address data bus bit 13. This function is enabled when external bus is enabled.
38	P16	G	General purpose I/O port. The register can be set to select whether to use a pull-up resistor. This function is enabled in single-chip mode.
	AD14		Input/output pin for external bus address data bus bit 14. This function is enabled when external bus is enabled.

(Continued)



Pin No.	Pin name	I/O Circuit type*	Function
39	P17	G	General purpose I/O port. The register can be set to select whether to use a pull-up resistor. This function is enabled in single-chip mode.
	AD15		Input/output pin for external bus address data bus bit 15. This function is enabled when external bus is enabled.
40 to 43	P20 to P23	G	General purpose I/O ports. The register can be set to select whether to use a pull-up resistor. In external bus mode, the pins are enabled as a general-purpose I/O port when the corresponding bit in the external address output control register (HACR) is 1.
	A16 to A19		Output pins for A16 to A19 of the external address data bus. When the corresponding bit in the external address output control register (HACR) is 0, the pins are enabled as high address output pins A16 to A19.
	PPG9 (8) PPGB (A) PPGD (C) PPGF (E)		Output pins for PPGs
44	P24	G	General purpose I/O port. The register can be set to select whether to use a pull-up resistor. In external bus mode, the pin is enabled as a general-purpose I/O port when the corresponding bit in the external address output control register (HACR) is 1.
	A20		Output pin for A20 of the external address data bus. When the corresponding bit in the external address output control register (HACR) is 0, the pin is enabled as high address output pin A20.
	IN0		Data sample input pin for input capture ICU0
51	P25	G	General purpose I/O port. The register can be set to select whether to use a pull-up resistor. In external bus mode, the pin is enabled as a general-purpose I/O port when the corresponding bit in the external address output control register (HACR) is 1.
	A21		Output pin for A21 of the external address data bus. When the corresponding bit in the external address output control register (HACR) is 0, the pin is enabled as high address output pin A21.
	IN1		Data sample input pin for input capture ICU1
	ADTG		Trigger input pin for A/D converter
52	P44	H	General purpose I/O port
	SDA0		Serial data I/O pin for I ² C 0
	FRCK0		Input pin for the 16-bit Free-run Timer 0
53	P45	H	General purpose I/O port
	SCL0		Serial clock I/O pin for I ² C 0
	FRCK1		Input pin for the 16-bit Free-run Timer 1

(Continued)



Pin No.	Pin name	I/O Circuit type*	Function
54	P30	G	General purpose I/O port. The register can be set to select whether to use a pull-up resistor. This function is enabled in single-chip mode.
	ALE		Address latch enable output pin. This function is enabled when external bus is enabled.
	IN4		Data sample input pin for input capture ICU4
55	P31	G	General purpose I/O port. The register can be set to select whether to use a pull-up resistor. This function is enabled in single-chip mode.
	$\overline{\text{RD}}$		Read strobe output pin for data bus. This function is enabled when external bus is enabled.
	IN5		Data sample input pin for input capture ICU5
56	P32	G	General purpose I/O port. The register can be set to select whether to use a pull-up resistor. This function is enabled either in single-chip mode or with the $\overline{\text{WR/WRL}}$ pin output disabled.
	$\overline{\text{WR/WRL}}$		Write strobe output pin for the data bus. This function is enabled when both the external bus and the $\overline{\text{WR/WRL}}$ pin output are enabled. $\overline{\text{WRL}}$ is used to write-strobe 8 lower bits of the data bus in 16-bit access. $\overline{\text{WR}}$ is used to write-strobe 8 bits of the data bus in 8-bit access.
	INT10R		External interrupt request input pin for INT10
57	P33	G	General purpose I/O port. The register can be set to select whether to use a pull-up resistor. This function is enabled either in single-chip mode, in external bus 8-bit mode or with the $\overline{\text{WRH}}$ pin output disabled.
	$\overline{\text{WRH}}$		Write strobe output pin for the 8 higher bits of the data bus. This function is enabled when the external bus is enabled, when the external bus 16-bit mode is selected, and when the $\overline{\text{WRH}}$ output pin is enabled.
58	P34	G	General purpose I/O port. The register can be set to select whether to use a pull-up resistor. This function is enabled either in single-chip mode or with the hold function disabled.
	HRQ		Hold request input pin. This function is enabled when both the external bus and the hold function are enabled.
	OUT4		Wave form output pin for output compare OCU4
59	P35	G	General purpose I/O port. The register can be set to select whether to use a pull-up resistor. This function is enabled either in single-chip mode or with the hold function disabled.
	$\overline{\text{HAK}}$		Hold acknowledge output pin. This function is enabled when both the external bus and the hold function are enabled.
	OUT5		Wave form output pin for output compare OCU5
60	P36	G	General purpose I/O port. The register can be set to select whether to use a pull-up resistor. This function is enabled either in single-chip mode or with the external ready function disabled.
	RDY		Ready input pin. This function is enabled when both the external bus and the external ready function are enabled.
	OUT6		Wave form output pin for output compare OCU6

(Continued)

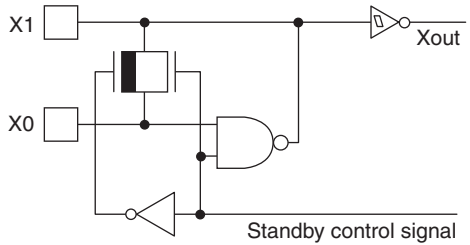
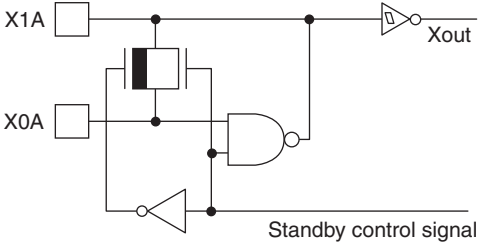
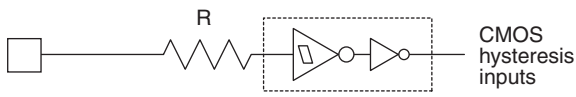
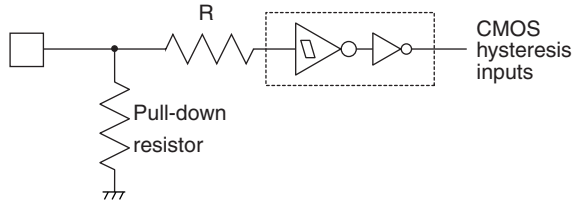
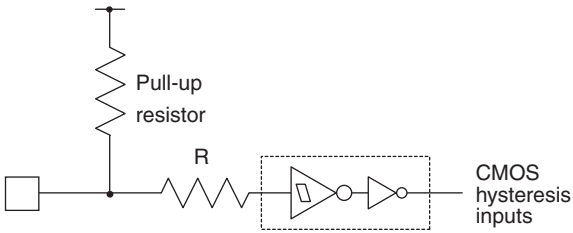


(Continued)

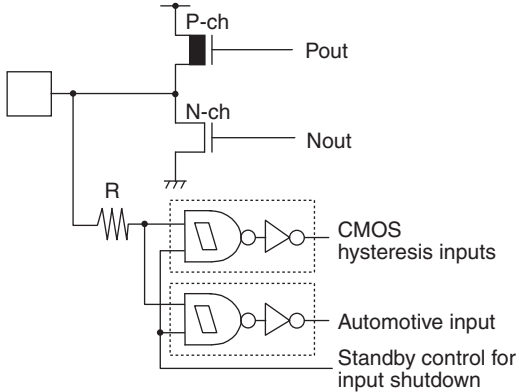
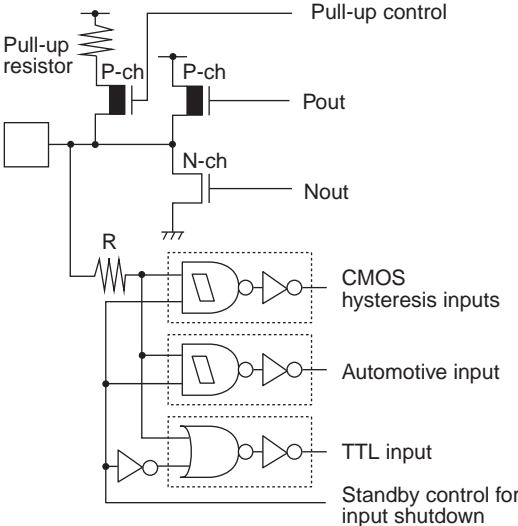
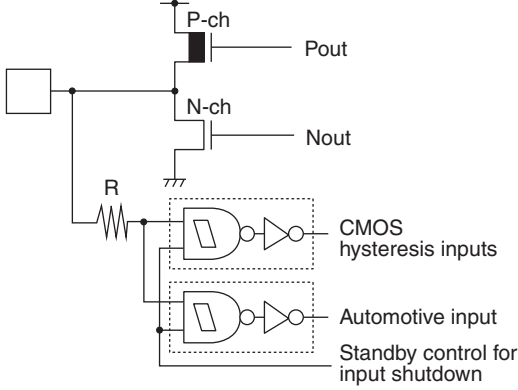
Pin No.	Pin name	I/O Circuit type*	Function
61	P37	G	General purpose I/O port. The register can be set to select whether to use a pull-up resistor. This function is enabled either in single-chip mode or with the CLK output disabled.
	CLK		CLK output pin. This function is enabled when both the external bus and CLK output are enabled.
	OUT7		Wave form output pin for output compare OCU7
62, 63	P60, P61	I	General purpose I/O ports
	AN0, AN1		Analog input pins for A/D converter
64	AV _{CC}	K	V _{CC} power input pin for analog circuits
2	AVRH	L	Reference voltage input for the A/D converter. This power supply must be turned on or off while a voltage higher than or equal to AVRH is applied to AV _{CC} .
1	AV _{SS}	K	V _{SS} power input pin for analog circuits
22, 23	MD1, MD0	C	Input pins for specifying the operating mode
21	MD2	D	Input pin for specifying the operating mode
49	V _{CC}	—	Power (3.5 V to 5.5 V) input pin
18, 48	V _{SS}	—	Power (0 V) input pins
50	C	K	This is the power supply stabilization capacitor pin. It should be connected to a higher than or equal to 0.1 μ F ceramic capacitor.

* : For the I/O circuit type, refer to "I/O Circuit Type".

6. I/O Circuit Type

Type	Circuit	Remarks
A		Oscillation circuit High-speed oscillation feedback resistor = approx. 1 M Ω
B		Oscillation circuit Low-speed oscillation feedback resistor = approx. 10 M Ω
C		<ul style="list-style-type: none"> ■ MASK ROM device CMOS hysteresis input pin ■ Flash memory device CMOS input pin
D		<ul style="list-style-type: none"> ■ MASK ROM device CMOS hysteresis input pin Pull-down resistor value: approx. 50 kΩ ■ Flash memory device CMOS input pin No Pull-down
E		CMOS hysteresis input pin Pull-up resistor value: approx. 50 k Ω

(Continued)

Type	Circuit	Remarks
F		<ul style="list-style-type: none"> ■ CMOS level output ($I_{OL} = 4 \text{ mA}$, $I_{OH} = -4 \text{ mA}$) ■ CMOS hysteresis inputs (With input shutdown function when is standby) ■ Automotive input (With the standby-time input shutdown function)
G		<ul style="list-style-type: none"> ■ CMOS level output ($I_{OL} = 4 \text{ mA}$, $I_{OH} = -4 \text{ mA}$) ■ CMOS hysteresis inputs (With the standby-time input shutdown function) ■ Automotive input (With the standby-time input shutdown function) ■ TTL input (With the standby-time input shutdown function) ■ Programmable pull-up resistor: approx. $50 \text{ k}\Omega$
H		<ul style="list-style-type: none"> ■ CMOS level output ($I_{OL} = 3 \text{ mA}$, $I_{OH} = -3 \text{ mA}$) ■ CMOS hysteresis inputs (With the standby-time input shutdown function) ■ Automotive input (With the standby-time input shutdown function)

(Continued)

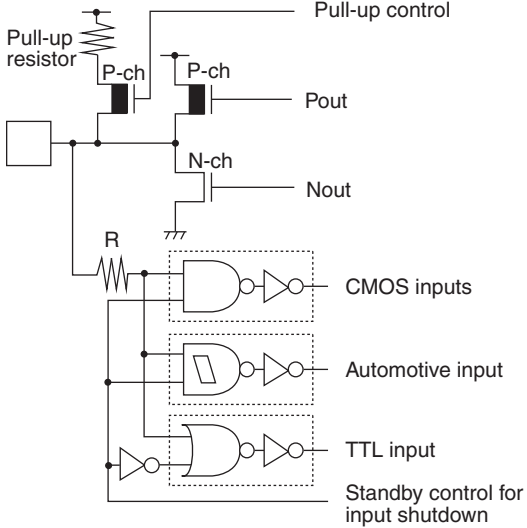
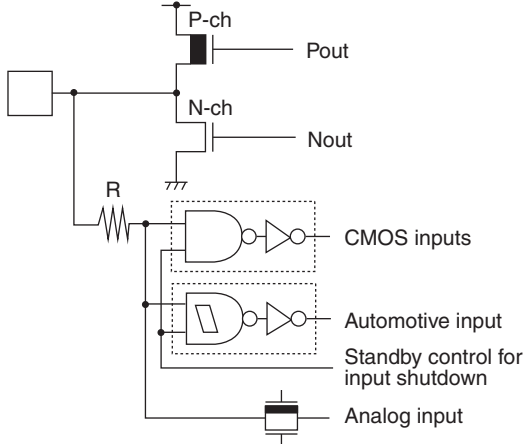


MB90350E Series

Type	Circuit	Remarks
I		<ul style="list-style-type: none"> ■ CMOS level output ($I_{OL} = 4 \text{ mA}$, $I_{OH} = -4 \text{ mA}$) ■ CMOS hysteresis inputs (With the standby-time input shutdown function) ■ Automotive input (With the standby-time input shutdown function) ■ Analog input for A/D converter
K		<p>Protection circuit for power supply input</p>
L		<ul style="list-style-type: none"> ■ With the protection circuit of A/D converter reference voltage power input pin ■ Flash memory devices do not have a protection circuit against V_{CC} for pin AVRH.

(Continued)

(Continued)

Type	Circuit	Remarks
N		<ul style="list-style-type: none"> ■ CMOS level output ($I_{OL} = 4 \text{ mA}$, $I_{OH} = -4 \text{ mA}$) ■ CMOS inputs (With the standby-time input shutdown function) ■ Automotive input (With the standby-time input shutdown function) ■ TTL input (With the standby-time input shutdown function) ■ Programmable pull-up resistor: approx. $50 \text{ k}\Omega$
O		<ul style="list-style-type: none"> ■ CMOS level output ($I_{OL} = 4 \text{ mA}$, $I_{OH} = -4 \text{ mA}$) ■ CMOS inputs (With the standby-time input shutdown function) ■ Automotive input (With the standby-time input shutdown function) ■ Analog input for A/D converter

7. Handling Devices

1. Preventing latch-up

CMOS IC may suffer latch-up under the following conditions :

- A voltage higher than V_{CC} or lower than V_{SS} is applied to an input or output pin.
- A voltage higher than the rated voltage is applied between V_{CC} and V_{SS} pins.
- The AV_{CC} power supply is applied before the V_{CC} voltage.

Latch-up may increase the power supply current drastically, causing thermal damage to the device.

For the same reason, also be careful not to let the analog power-supply voltage (AV_{CC} , $AVRH$) exceed the digital power-supply voltage (V_{CC}).

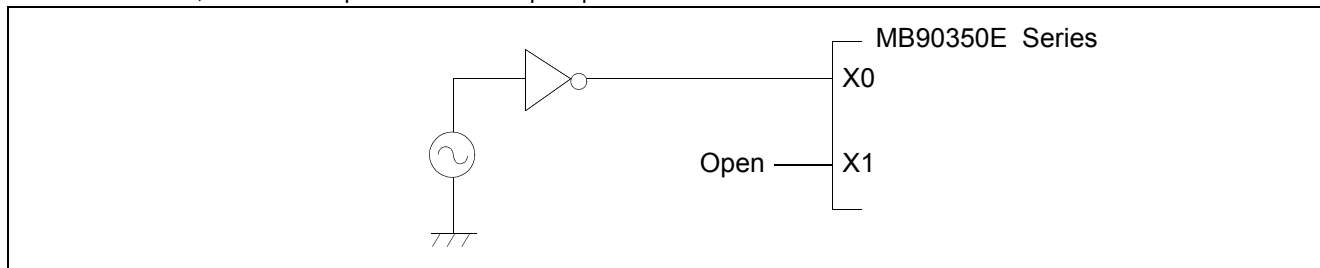
2. Treatment of unused pins

Leaving unused input pins open may result in misbehavior or latch up and possible permanent damage of the device. Therefore they must be pulled up or pulled down through resistors. In this case those resistors should be more than $2 \text{ k}\Omega$.

Unused I/O pins should be set to the output state and can be left open, or the input state with the above described connection.

3. Using external clock

To use external clock, drive the X0 pin and leave X1 pin open.



4. Precautions for when not using a sub clock signal

X0A and X1A are oscillation pins for sub clock. If you do not connect pins X0A and X1A to an oscillator, use pull-down handling on the X0A pin, and leave the X1A pin open.

5. Notes on during operation of PLL clock mode

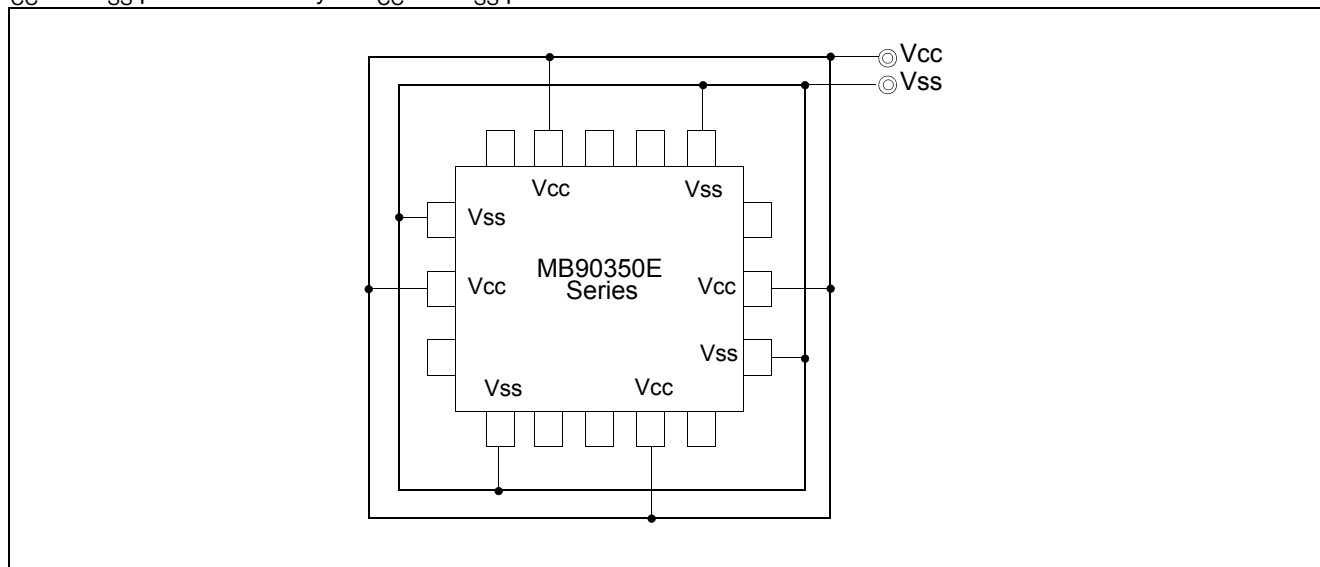
On this microcontroller, if in case the crystal oscillator breaks off or an external reference clock input stops while the PLL clock mode is selected, a self-oscillator circuit contained in the PLL may continue its operation at its self-running frequency. However, Cypress will not guarantee results of operations if such failure occurs.

6. Treatment of Power Supply Pins (V_{CC}/V_{SS})

- If there are multiple V_{CC} and V_{SS} pins, from the point of view of device design, pins to be of the same potential are connected inside of the device to prevent malfunction such as latch-up.

To reduce unnecessary radiation, prevent malfunctioning of the strobe signal due to the rise of ground level, and observe the standard for total output current, be sure to connect the V_{CC} and V_{SS} pins to the power supply and ground externally. Connect V_{CC} and V_{SS} pins to the device from the current supply source at a possibly low impedance.

- As a measure against power supply noise, it is recommended to connect a capacitor of about 0.1 μF as a bypass capacitor between V_{CC} and V_{SS} pins in the vicinity of V_{CC} and V_{SS} pins of the device.



7. Pull-up/down resistors

The MB90350E series does not support internal pull-up/down resistors (Port 0 to Port 3: built-in pull-up resistors). Use external components where needed.

8. Crystal oscillator circuit

Noise around the X0/X1, or X0A/X1A pins may cause this device to operate abnormally. In the interest of stable operation it is strongly recommended that printed circuit artwork places ground bypass capacitors as close as possible to the X0/X1, X0A/X1A and crystal oscillator (or ceramic oscillator) and that oscillator lines do not cross the lines of other circuits.



Please ask each crystal maker to evaluate the oscillational characteristics of the crystal and this device.

9. Turning-on sequence of power supply to A/D converter and analog inputs

Make sure to turn on the A/D converter power supply (AV_{CC} , AVRH) and analog inputs (AN0 to AN14) after turning-on the digital power supply (V_{CC}). Turn-off the digital power after turning off the A/D converter power supply and analog inputs. In this case, make sure that the power supply voltage does not exceed the rated voltage of the A/D converter (turning on/of the analog and digital power supplies simultaneously is acceptable).

10. Connection of unused pins of A/D converter if A/D converter is not used

Connect unused pins of A/D converter to $AV_{CC} = V_{CC}$, $AV_{SS} = AVRH = V_{SS}$.

11. Notes on energization

To prevent the internal regulator circuit from malfunctioning, set the voltage rise time during energization at 50 μ s or more (0.2 V to 2.7 V).

12. Stabilization of power supply voltage

A sudden change in the supply voltage may cause the device to malfunction even within the V_{CC} supply voltage operating range. Therefore, the V_{CC} supply voltage should be stabilized. For reference, the supply voltage should be controlled so that V_{CC} ripple variations (peak- to-peak values) at commercial frequencies (50 MHz/ 60 MHz) fall below 10% of the standard V_{CC} supply voltage and the coefficient of fluctuation does not exceed 0.1 V/ms at instantaneous power switching.



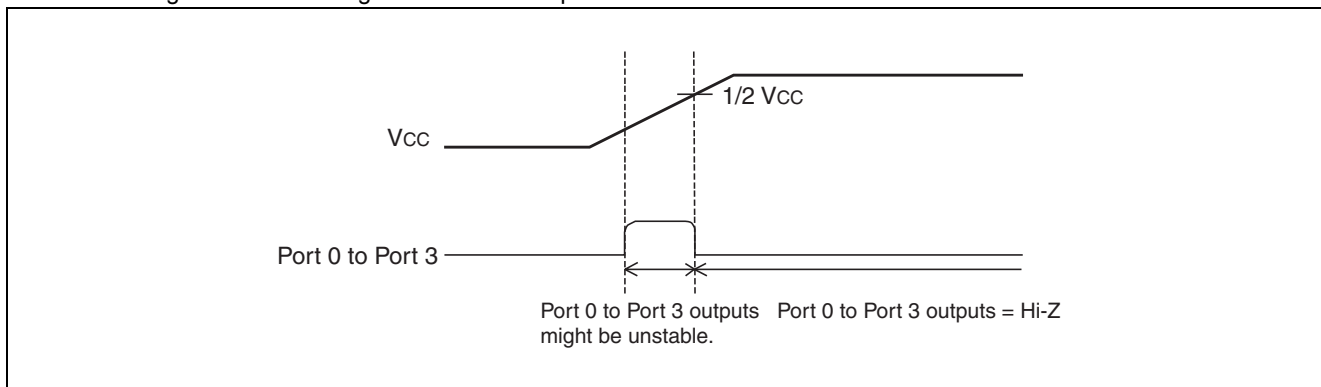
13. Serial Communication

There is a possibility to receive wrong data due to the noise or other causes on the serial communication. Therefore, design a printed circuit board so as to avoid noise.

Retransmit the data if an error occurs because of applying the checksum to the last data in consideration of receiving wrong data due to the noise.

14. Port 0 to port 3 output during power-on (External-bus mode)

As shown below, when power is turned on in external-bus mode, there is a possibility that output signal of Port 0 to Port 3 might be unstable regardless of reset inputs.



15. Setting using CAN function

To use CAN function, please set "1" to DIRECT bit of CAN direct mode register (CDMR).

16. Flash security function

The security byte is located in the area of the Flash memory. If protection code 01_H is written in the security byte, the Flash memory is in the protected state by security.

Therefore please do not write 01_H in this address if you do not use the security function.

Please refer to following table for the address of the security byte.

Product name	Flash memory size	Address for security bit
MB90F352E(S) MB90F352TE(S) MB90F357E(S) MB90F357TE(S)	Embedded 1 Mbit Flash memory	FE0001 _H

17. Operation with T_A = +105°C or more

If used exceeding T_A = +105°C, please contact Cypress sales representatives for reliability limitations.

18. Low voltage/CPU operation reset circuit

The low voltage detection reset circuit is a function that monitors power supply voltage in order to detect when a voltage drops below a given voltage level. When a low voltage condition is detected, an internal reset signal is generated.

The CPU operation detection reset circuit is a 20-bit counter that uses oscillation as a count clock and generates an internal reset signal if not cleared within a given time after startup.

(1) Low voltage detection reset circuit

Detection voltage
4.0 V ± 0.3 V

When a low voltage condition is detected, the low voltage detection flag (LVRC : LVRF) is set to "1" and an internal reset signal is output.

Because the low voltage detection reset circuit continues to operate even in stop mode, detection of a low voltage condition generates an internal reset and releases stop mode.



During an internal RAM write cycle, low voltage reset is generated after the completion of writing. During the output of this internal reset, the reset output from the low voltage detection reset circuit is suppressed.

(2) CPU operation detection reset circuit

The CPU operation detection reset circuit is a counter that prevents program runaway. The counter starts automatically after a power-on reset, and must be continually and regularly cleared within a given time. If the given time interval elapses and the counter has not been cleared, a cause such as infinite program looping is assumed and an internal reset signal is generated. The internal reset generated from the CPU operation detection circuit has a width of 5 machine cycles.

Interval time
$2^{20}/F_C$ (approx. 262 ms*)

* : This value assumes the interval time at an oscillation clock frequency of 4 MHz.

During recovery from standby mode, the detection period is the maximum interval plus 20 μ s.

This circuit does not operate in modes where CPU operation is stopped.

The CPU operation detection reset circuit counter is cleared under any of the following conditions.

- “0” writing to CL bit of LVRC register
- Internal reset
- Main oscillation clock stop
- Transit to sleep mode
- Transit to timebase timer mode and watch mode

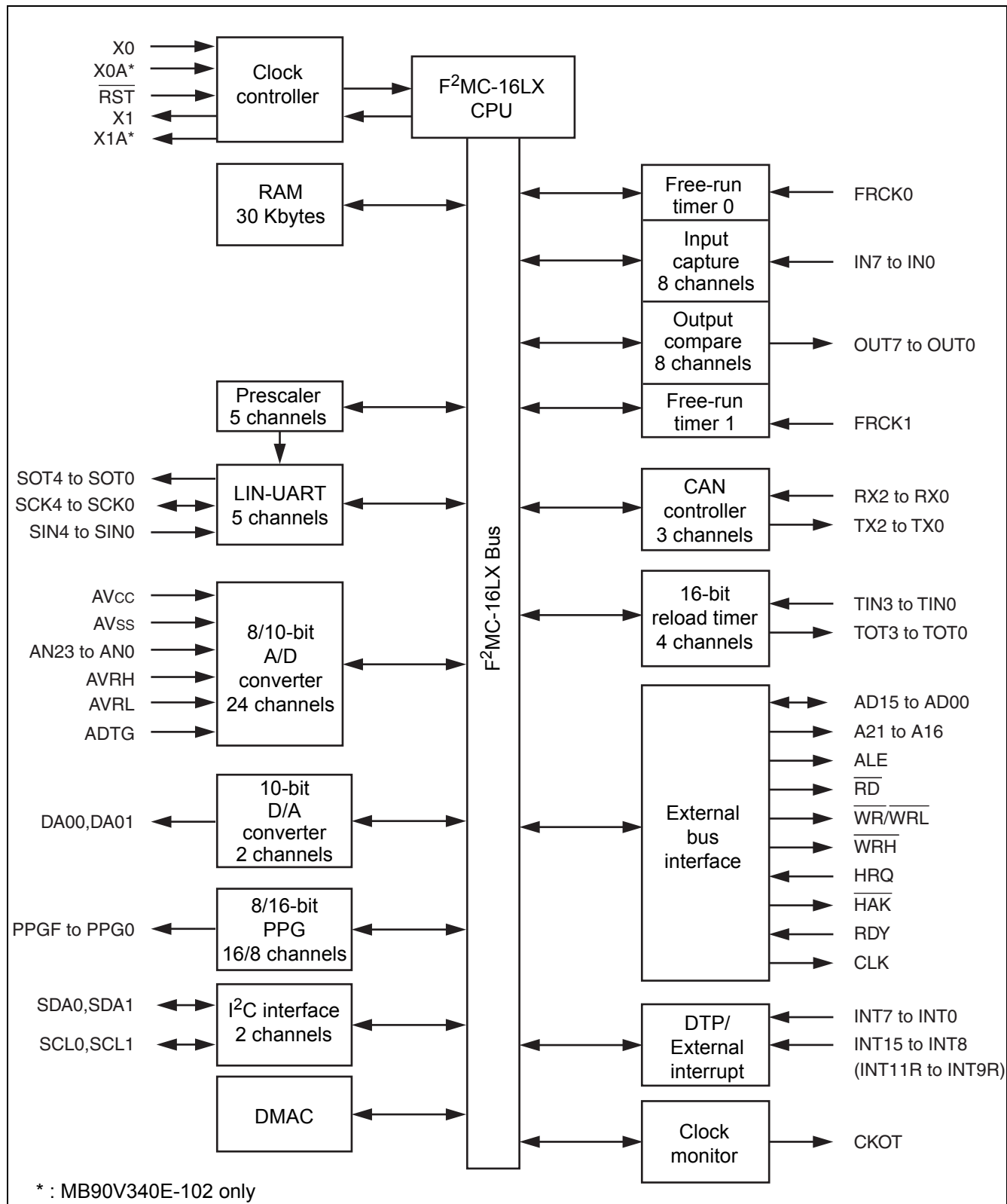
19. Internal CR oscillation circuit

Parameter	Symbol	Value			Unit
		Min	Typ	Max	
Oscillation frequency	f_{RC}	50	100	200	kHz
Oscillation stabilization wait time	tstab	—	—	100	μ s



8. Block Diagrams

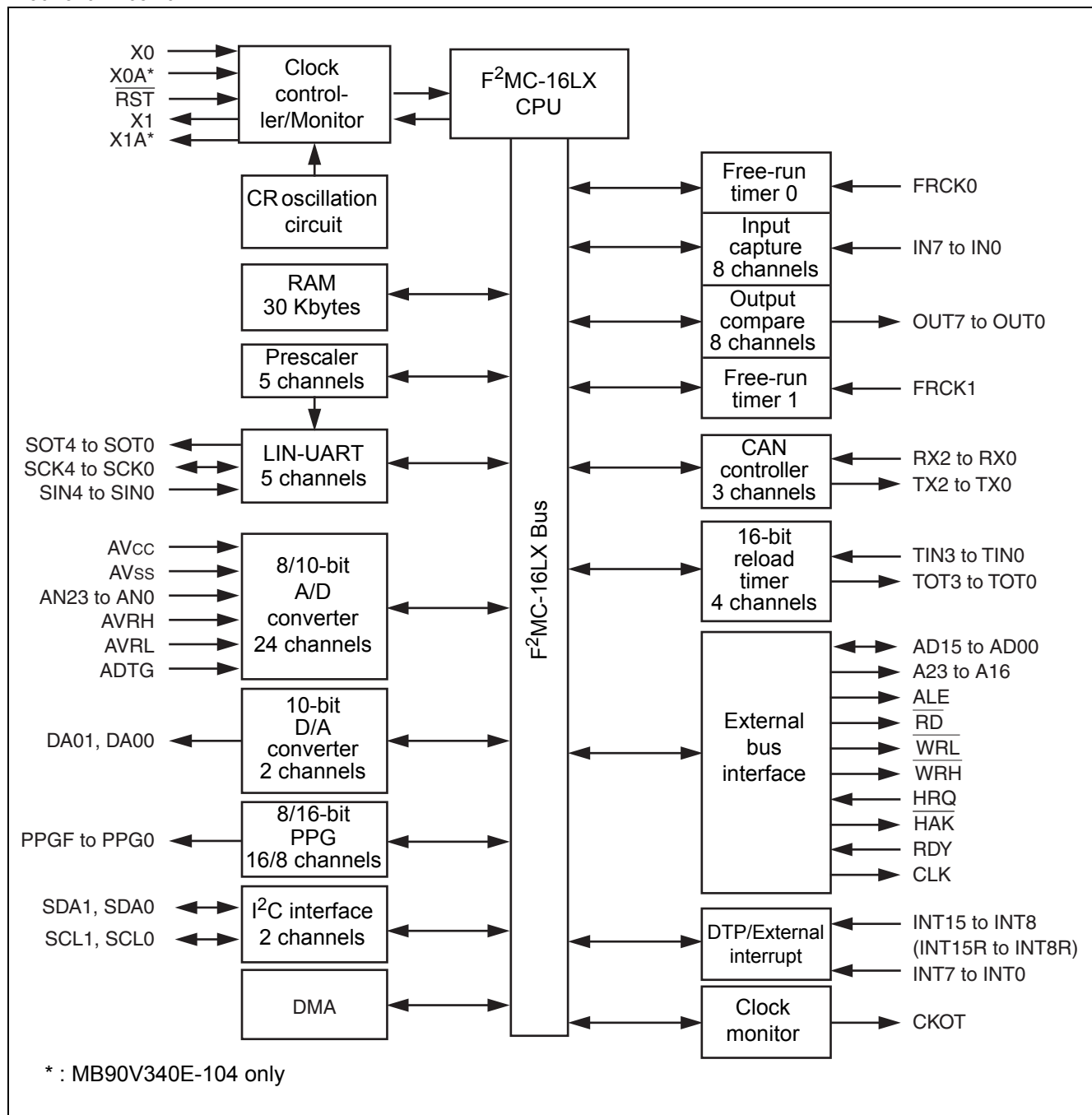
■ MB90V340E-101/102





MB90350E Series

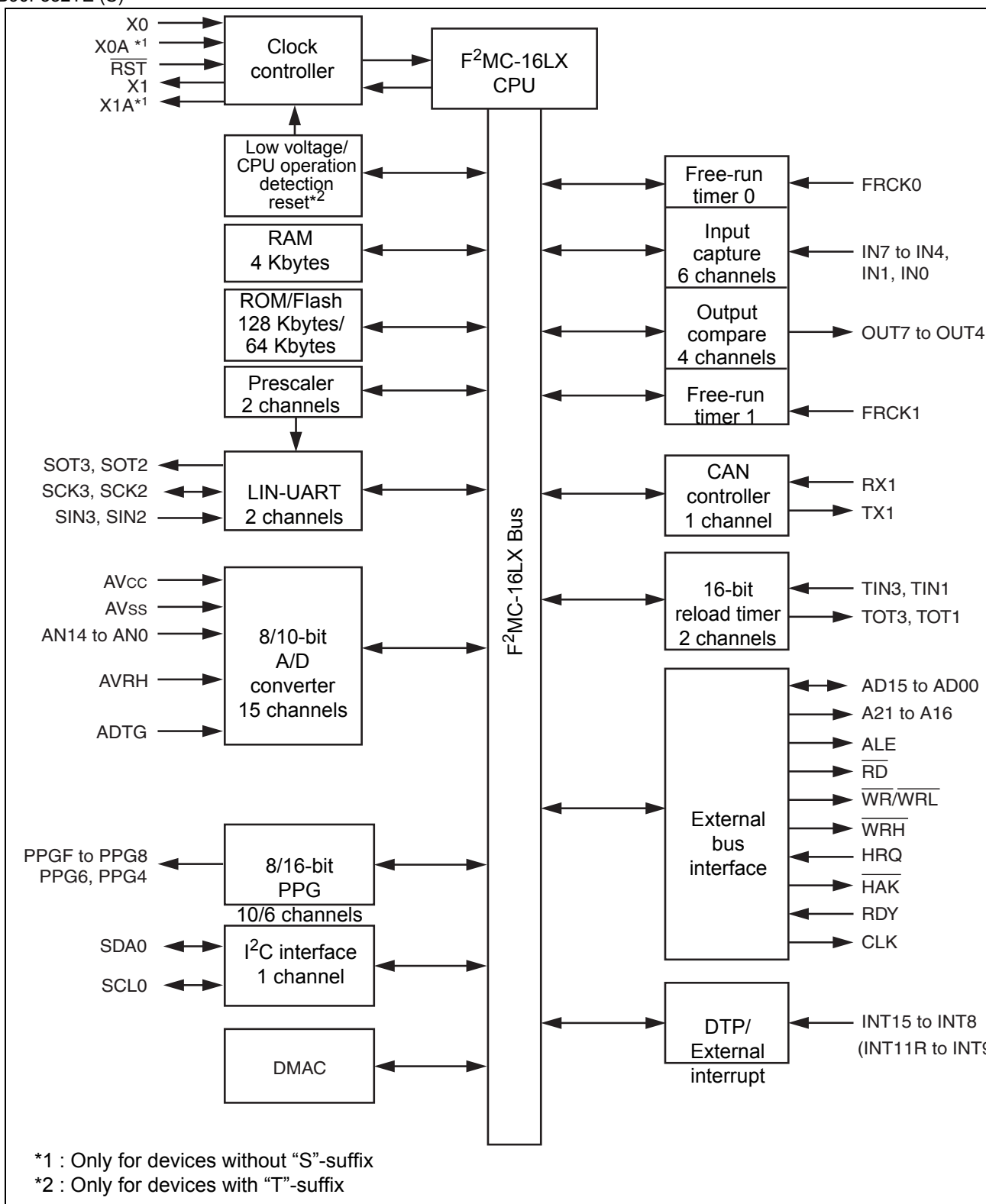
■ MB90V340E-103/104





MB90350E Series

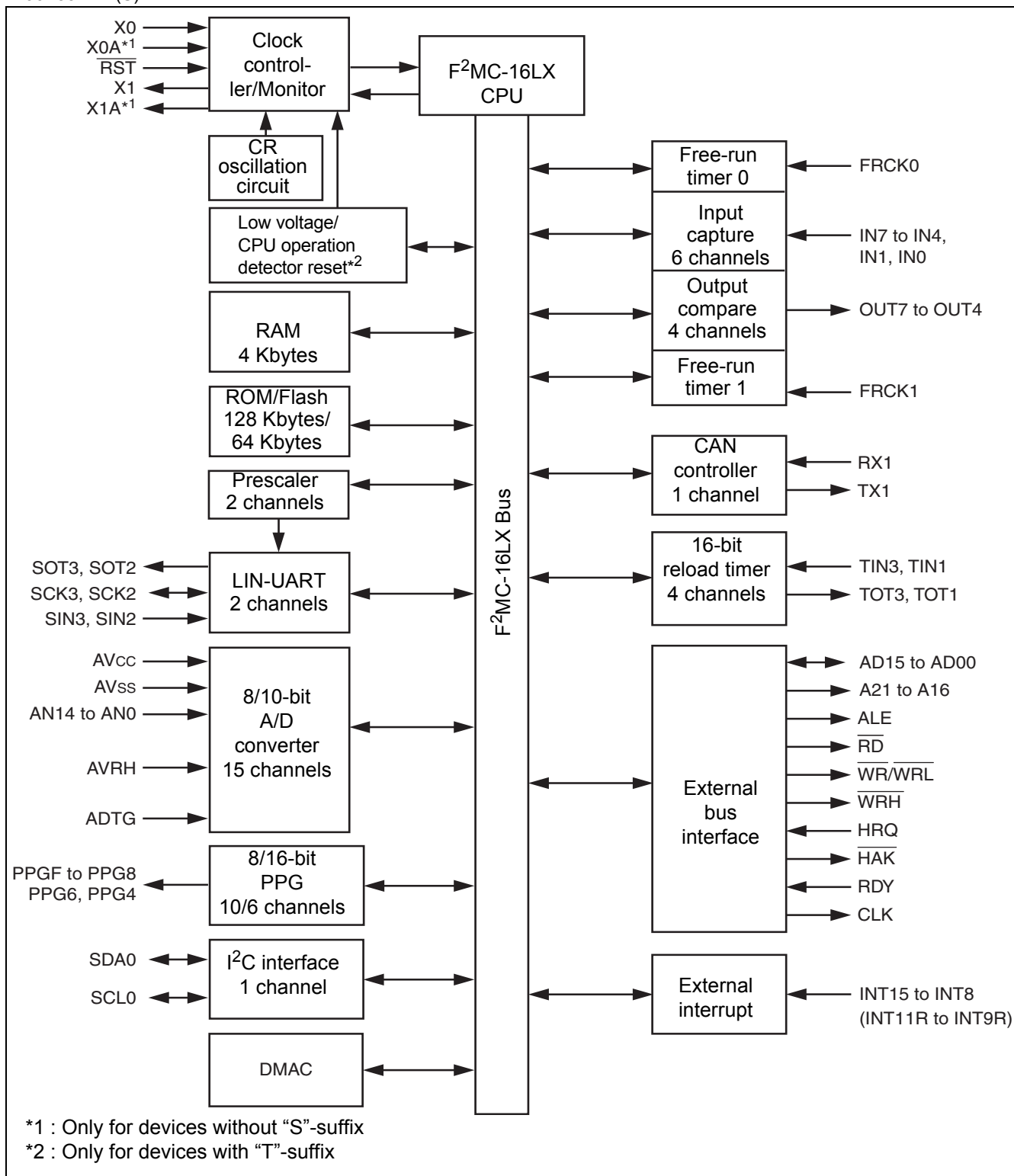
- MB90351E (S) , MB90351TE (S) , MB90F351E (S) , MB90F351TE (S) , MB90352E (S) , MB90352TE (S) , MB90F352E (S) , MB90F352TE (S)





MB90350E Series

- MB90356E (S) , MB90356TE (S) , MB90F356E (S) , MB90F356TE (S) , MB90357E (S) , MB90357TE (S) , MB90F357E (S) , MB90F357TE (S)





10. I/O Map

Address	Register	Abbreviation	Access	Resource name	Initial value
000000 _H	Port 0 Data Register	PDR0	R/W	Port 0	XXXXXXXX _B
000001 _H	Port 1 Data Register	PDR1	R/W	Port 1	XXXXXXXX _B
000002 _H	Port 2 Data Register	PDR2	R/W	Port 2	XXXXXXXX _B
000003 _H	Port 3 Data Register	PDR3	R/W	Port 3	XXXXXXXX _B
000004 _H	Port 4 Data Register	PDR4	R/W	Port 4	XXXXXXXX _B
000005 _H	Port 5 Data Register	PDR5	R/W	Port 5	XXXXXXXX _B
000006 _H	Port 6 Data Register	PDR6	R/W	Port 6	XXXXXXXX _B
000007 _H to 00000A _H	Reserved				
00000B _H	Port 5 Analog Input Enable Register	ADER5	R/W	Port 5, A/D	11111111 _B
00000C _H	Port 6 Analog Input Enable Register	ADER6	R/W	Port 6, A/D	11111111 _B
00000D _H	Reserved				
00000E _H	Input Level Select Register 0	ILSR0	R/W	Ports	00000000 _B
00000F _H	Input Level Select Register 1	ILSR1	R/W	Ports	00000000 _B
000010 _H	Port 0 Direction Register	DDR0	R/W	Port 0	00000000 _B
000011 _H	Port 1 Direction Register	DDR1	R/W	Port 1	00000000 _B
000012 _H	Port 2 Direction Register	DDR2	R/W	Port 2	XX000000 _B
000013 _H	Port 3 Direction Register	DDR3	R/W	Port 3	00000000 _B
000014 _H	Port 4 Direction Register	DDR4	R/W	Port 4	XX000000 _B
000015 _H	Port 5 Direction Register	DDR5	R/W	Port 5	X0000000 _B
000016 _H	Port 6 Direction Register	DDR6	R/W	Port 6	00000000 _B
000017 _H to 000019 _H	Reserved				
00001A _H	SIN input Level Setting Register	DDRA	W	UART2, UART3	X00XXXXX _B
00001B _H	Reserved				
00001C _H	Port 0 Pull-up Control Register	PUCR0	R/W	Port 0	00000000 _B
00001D _H	Port 1 Pull-up Control Register	PUCR1	R/W	Port 1	00000000 _B
00001E _H	Port 2 Pull-up Control Register	PUCR2	R/W	Port 2	00000000 _B
00001F _H	Port 3 Pull-up Control Register	PUCR3	R/W	Port 3	00000000 _B
000020 _H to 000037 _H	Reserved				

(Continued)



Address	Register	Abbreviation	Access	Resource name	Initial value
000038 _H	PPG 4 Operation Mode Control Register	PPGC4	W, R/W	16-bit Programmable Pulse Generator 4/5	0X000XX1 _B
000039 _H	PPG 5 Operation Mode Control Register	PPGC5	W, R/W		0X000001 _B
00003A _H	PPG 4/5 Count Clock Select Register	PPG45	R/W		000000X0 _B
00003B _H	Address Detect Control Register 1	PACSR1	R/W	Address Match Detection 1	00000000 _B
00003C _H	PPG 6 Operation Mode Control Register	PPGC6	W, R/W	16-bit Programmable Pulse Generator 6/7	0X000XX1 _B
00003D _H	PPG 7 Operation Mode Control Register	PPGC7	W, R/W		0X000001 _B
00003E _H	PPG 6/7 Count Clock Select Register	PPG67	R/W		000000X0 _B
00003F _H	Reserved				
000040 _H	PPG 8 Operation Mode Control Register	PPGC8	W, R/W	16-bit Programmable Pulse Generator 8/9	0X000XX1 _B
000041 _H	PPG 9 Operation Mode Control Register	PPGC9	W, R/W		0X000001 _B
000042 _H	PPG 8/9 Count Clock Select Register	PPG89	R/W		000000X0 _B
000043 _H	Reserved				
000044 _H	PPG A Operation Mode Control Register	PPGCA	W, R/W	16-bit Programmable Pulse Generator A/B	0X000XX1 _B
000045 _H	PPG B Operation Mode Control Register	PPGCB	W, R/W		0X000001 _B
000046 _H	PPG A/B Count Clock Select Register	PPGAB	R/W		000000X0 _B
000047 _H	Reserved				
000048 _H	PPG C Operation Mode Control Register	PPGCC	W,R/W	16-bit Programmable Pulse Generator C/D	0X000XX1 _B
000049 _H	PPG D Operation Mode Control Register	PPGCD	W,R/W		0X000001 _B
00004A _H	PPG C/D Count Clock Select Register	PPGCD	R/W		000000X0 _B
00004B _H	Reserved				
00004C _H	PPG E Operation Mode Control Register	PPGCE	W,R/W	16-bit Programmable Pulse Generator E/F	0X000XX1 _B
00004D _H	PPG F Operation Mode Control Register	PPGCF	W,R/W		0X000001 _B
00004E _H	PPG E/F Count Clock Select Register	PPGEF	R/W		000000X0 _B
00004F _H	Reserved				
000050 _H	Input Capture Control Status Register 0/1	ICS01	R/W	Input Capture 0/1	00000000 _B
000051 _H	Input Capture Edge Register 0/1	ICE01	R/W, R		XXX0X0XX _B
000052 _H , 000053 _H	Reserved				
000054 _H	Input Capture Control Status Register 4/5	ICS45	R/W	Input Capture 4/5	00000000 _B
000055 _H	Input Capture Edge Register 4/5	ICE45	R		XXXXXXXX _B
000056 _H	Input Capture Control Status Register 6/7	ICS67	R/W	Input Capture 6/7	00000000 _B
000057 _H	Input Capture Edge Register 6/7	ICE67	R/W, R		XXX000XX _B

(Continued)



Address	Register	Abbreviation	Access	Resource name	Initial value
000058 _H to 00005B _H	Reserved				
00005C _H	Output Compare Control Status Register 4	OCS4	R/W	Output Compare 4/5	0000XX00 _B
00005D _H	Output Compare Control Status Register 5	OCS5	R/W		0XX00000 _B
00005E _H	Output Compare Control Status Register 6	OCS6	R/W	Output Compare 6/7	0000XX00 _B
00005F _H	Output Compare Control Status Register 7	OCS7	R/W		0XX00000 _B
000060 _H	Timer Control Status Register 0	TMCSR0	R/W	16-bit Reload Timer 0	00000000 _B
000061 _H	Timer Control Status Register 0	TMCSR0	R/W		XXXX0000 _B
000062 _H	Timer Control Status Register 1	TMCSR1	R/W	16-bit Reload Timer 1	00000000 _B
000063 _H	Timer Control Status Register 1	TMCSR1	R/W		XXXX0000 _B
000064 _H	Timer Control Status Register 2	TMCSR2	R/W	16-bit Reload Timer 2	00000000 _B
000065 _H	Timer Control Status Register 2	TMCSR2	R/W		XXXX0000 _B
000066 _H	Timer Control Status Register 3	TMCSR3	R/W	16-bit Reload Timer 3	00000000 _B
000067 _H	Timer Control Status Register 3	TMCSR3	R/W		XXXX0000 _B
000068 _H	A/D Control Status Register 0	ADCS0	R/W	A/D Converter	000XXXX0 _B
000069 _H	A/D Control Status Register 1	ADCS1	R/W		0000000X _B
00006A _H	A/D Data Register 0	ADCR0	R		00000000 _B
00006B _H	A/D Data Register 1	ADCR1	R		XXXXXX00 _B
00006C _H	ADC Setting Register 0	ADSR0	R/W		00000000 _B
00006D _H	ADC Setting Register 1	ADSR1	R/W		00000000 _B
00006E _H	Low Voltage/CPU Operation Detection Reset Control Register	LVRC	R/W, W	Low Voltage/CPU Operation Detection Reset	00111000 _B
00006F _H	ROM Mirror Function Select Register	ROMM	W	ROM Mirror	XXXXXXXX1 _B
000070 _H to 00007F _H	Reserved				
000080 _H to 00008F _H	Reserved for CAN controller 1. Refer to "CAN Controllers"				
000090 _H to 00009A _H	Reserved				

(Continued)



Address	Register	Abbreviation	Access	Resource name	Initial value
00009B _H	DMA Descriptor Channel Specification Register	DCSR	R/W	DMA	00000000 _B
00009C _H	DMA Status Register L Register	DSRL	R/W		00000000 _B
00009D _H	DMA Status Register H Register	DSRH	R/W		00000000 _B
00009E _H	Address Detect Control Register 0	PACSR0	R/W	Address Match Detection 0	00000000 _B
00009F _H	Delayed Interrupt/Release Register	DIRR	R/W	Delayed Interrupt	XXXXXXXX0 _B
0000A0 _H	Low-power Consumption Mode Control Register	LPMCR	W,R/W	Low Power Consumption Control Circuit	00011000 _B
0000A1 _H	Clock Selection Register	CKSCR	R,R/W	Low Power Consumption Control Circuit	11111100 _B
0000A2 _H , 0000A3 _H	Reserved				
0000A4 _H	DMA Stop Status Register	DSSR	R/W	DMA	00000000 _B
0000A5 _H	Automatic Ready Function Selection Register	ARSR	W	External Memory Access	0011XX00 _B
0000A6 _H	External Address Output Control Register	HACR	W		00000000 _B
0000A7 _H	Bus Control Signal Selection Register	ECSR	W		0000000X _B
0000A8 _H	Watchdog Control Register	WDTC	R,W	Watchdog Timer	XXXXX111 _B
0000A9 _H	Timebase Timer Control Register	TBTC	W,R/W	Timebase timer	1XX00100 _B
0000AA _H	Watch Timer Control Register	WTC	R,R/W	Watch Timer	1X001000 _B
0000AB _H	Reserved				
0000AC _H	DMA Enable Register L Register	DERL	R/W	DMA	00000000 _B
0000AD _H	DMA Enable Register H Register	DERH	R/W		00000000 _B
0000AE _H	Flash Control Status Register (Flash Devices only. Otherwise reserved)	FMCS	R,R/W	Flash memory	000X0000 _B
0000AF _H	Reserved				
0000B0 _H	Interrupt Control Register 00	ICR00	W,R/W	Interrupt Control	00000111 _B
0000B1 _H	Interrupt Control Register 01	ICR01	W,R/W		00000111 _B
0000B2 _H	Interrupt Control Register 02	ICR02	W,R/W		00000111 _B
0000B3 _H	Interrupt Control Register 03	ICR03	W,R/W		00000111 _B
0000B4 _H	Interrupt Control Register 04	ICR04	W,R/W		00000111 _B
0000B5 _H	Interrupt Control Register 05	ICR05	W,R/W		00000111 _B
0000B6 _H	Interrupt Control Register 06	ICR06	W,R/W		00000111 _B
0000B7 _H	Interrupt Control Register 07	ICR07	W,R/W		00000111 _B
0000B8 _H	Interrupt Control Register 08	ICR08	W,R/W		00000111 _B

(Continued)



MB90350E Series

Address	Register	Abbreviation	Access	Resource name	Initial value
0000B9 _H	Interrupt Control Register 09	ICR09	W,R/W	Interrupt Control	00000111 _B
0000BA _H	Interrupt Control Register 10	ICR10	W,R/W		00000111 _B
0000BB _H	Interrupt Control Register 11	ICR11	W,R/W		00000111 _B
0000BC _H	Interrupt Control Register 12	ICR12	W,R/W		00000111 _B
0000BD _H	Interrupt Control Register 13	ICR13	W,R/W		00000111 _B
0000BE _H	Interrupt Control Register 14	ICR14	W,R/W		00000111 _B
0000BF _H	Interrupt Control Register 15	ICR15	W,R/W		00000111 _B
0000C0 _H to 0000C9 _H	Reserved				
0000CA _H	External Interrupt Enable Register 1	ENIR1	R/W	External Interrupt 1	00000000 _B
0000CB _H	External Interrupt Source Register 1	EIRR1	R/W		XXXXXXXX _B
0000CC _H	External Interrupt Level Register 1	ELVR1	R/W		00000000 _B
0000CD _H	External Interrupt Level Register 1	ELVR1	R/W		00000000 _B
0000CE _H	External Interrupt Source Select Register	EISSR	R/W		00000000 _B
0000CF _H	PLL/Sub clock Control register	PSCCR	W	PLL	XXXX0000 _B
0000D0 _H	DMA Buffer Address Pointer L Register	BAPL	R/W	DMA	XXXXXXXX _B
0000D1 _H	DMA Buffer Address Pointer M Register	BAPM	R/W		XXXXXXXX _B
0000D2 _H	DMA Buffer Address Pointer H Register	BAPH	R/W		XXXXXXXX _B
0000D3 _H	DMA Control Register	DMACS	R/W		XXXXXXXX _B
0000D4 _H	I/O Register Address Pointer L Register	IOAL	R/W		XXXXXXXX _B
0000D5 _H	I/O Register Address Pointer H Register	IOAH	R/W		XXXXXXXX _B
0000D6 _H	Data Counter L Register	DCTL	R/W		XXXXXXXX _B
0000D7 _H	Data Counter H Register	DCTH	R/W		XXXXXXXX _B
0000D8 _H	Serial Mode Register 2	SMR2	W,R/W	UART2	00000000 _B
0000D9 _H	Serial Control Register 2	SCR2	W,R/W		00000000 _B
0000DA _H	Reception/Transmission Data Register 2	RDR2/TDR2	R/W		00000000 _B
0000DB _H	Serial Status Register 2	SSR2	R,R/W		00001000 _B
0000DC _H	Extended Communication Control Register 2	ECR2	R,W, R/W		000000XX _B
0000DD _H	Extended Status/Control Register 2	ESCR2	R/W		00000100 _B
0000DE _H	Baud Rate Generator Register 20	BGR20	R/W		00000000 _B

(Continued)



MB90350E Series

Address	Register	Abbreviation	Access	Resource name	Initial value
0000DF _H	Baud Rate Generator Register 21	BGR21	R/W	UART2	00000000 _B
0000E0 _H to 0000EF _H	Reserved				
0000F0 _H to 0000FF _H	External area				
007900 _H to 007907 _H	Reserved				
007908 _H	Reload Register L4	PRL4	R/W	16-bit Programmable Pulse Generator 4/5	XXXXXXXX _B
007909 _H	Reload Register H4	PRLH4	R/W		XXXXXXXX _B
00790A _H	Reload Register L5	PRL5	R/W		XXXXXXXX _B
00790B _H	Reload Register H5	PRLH5	R/W		XXXXXXXX _B
00790C _H	Reload Register L6	PRL6	R/W	16-bit Programmable Pulse Generator 6/7	XXXXXXXX _B
00790D _H	Reload Register H6	PRLH6	R/W		XXXXXXXX _B
00790E _H	Reload Register L7	PRL7	R/W		XXXXXXXX _B
00790F _H	Reload Register H7	PRLH7	R/W		XXXXXXXX _B
007910 _H	Reload Register L8	PRL8	R/W	16-bit Programmable Pulse Generator 8/9	XXXXXXXX _B
007911 _H	Reload Register H8	PRLH8	R/W		XXXXXXXX _B
007912 _H	Reload Register L9	PRL9	R/W		XXXXXXXX _B
007913 _H	Reload Register H9	PRLH9	R/W		XXXXXXXX _B
007914 _H	Reload Register LA	PRLA	R/W	16-bit Programmable Pulse Generator A/B	XXXXXXXX _B
007915 _H	Reload Register HA	PRLHA	R/W		XXXXXXXX _B
007916 _H	Reload Register LB	PRLB	R/W		XXXXXXXX _B
007917 _H	Reload Register HB	PRLHB	R/W		XXXXXXXX _B
007918 _H	Reload Register LC	PRLC	R/W	16-bit Programmable Pulse Generator C/D	XXXXXXXX _B
007919 _H	Reload Register HC	PRLHC	R/W		XXXXXXXX _B
00791A _H	Reload Register LD	PRLD	R/W		XXXXXXXX _B
00791B _H	Reload Register HD	PRLHD	R/W		XXXXXXXX _B
00791C _H	Reload Register LE	PRLLE	R/W	16-bit Programmable Pulse Generator E/F	XXXXXXXX _B
00791D _H	Reload Register HE	PRLHE	R/W		XXXXXXXX _B
00791E _H	Reload Register LF	PRLLF	R/W		XXXXXXXX _B
00791F _H	Reload Register HF	PRLHF	R/W		XXXXXXXX _B
007920 _H	Input Capture Register 0	IPCP0	R	Input Capture 0/1	XXXXXXXX _B
007921 _H	Input Capture Register 0	IPCP0	R		XXXXXXXX _B
007922 _H	Input Capture Register 1	IPCP1	R		XXXXXXXX _B
007923 _H	Input Capture Register 1	IPCP1	R		XXXXXXXX _B

(Continued)



MB90350E Series

Address	Register	Abbreviation	Access	Resource name	Initial value
007924 _H to 007927 _H	Reserved				
007928 _H	Input Capture Register 4	IPCP4	R	Input Capture 4/5	XXXXXXXX _B
007929 _H	Input Capture Register 4	IPCP4	R		XXXXXXXX _B
00792A _H	Input Capture Register 5	IPCP5	R		XXXXXXXX _B
00792B _H	Input Capture Register 5	IPCP5	R		XXXXXXXX _B
00792C _H	Input Capture Register 6	IPCP6	R	Input Capture 6/7	XXXXXXXX _B
00792D _H	Input Capture Register 6	IPCP6	R		XXXXXXXX _B
00792E _H	Input Capture Register 7	IPCP7	R		XXXXXXXX _B
00792F _H	Input Capture Register 7	IPCP7	R		XXXXXXXX _B
007930 _H to 007937 _H	Reserved				
007938 _H	Output Compare Register 4	OCCP4	R/W	Output Compare 4/5	XXXXXXXX _B
007939 _H	Output Compare Register 4	OCCP4	R/W		XXXXXXXX _B
00793A _H	Output Compare Register 5	OCCP5	R/W		XXXXXXXX _B
00793B _H	Output Compare Register 5	OCCP5	R/W		XXXXXXXX _B
00793C _H	Output Compare Register 6	OCCP6	R/W	Output Compare 6/7	XXXXXXXX _B
00793D _H	Output Compare Register 6	OCCP6	R/W		XXXXXXXX _B
00793E _H	Output Compare Register 7	OCCP7	R/W		XXXXXXXX _B
00793F _H	Output Compare Register 7	OCCP7	R/W		XXXXXXXX _B
007940 _H	Timer Data Register 0	TCDT0	R/W	Free-run Timer 0	00000000 _B
007941 _H	Timer Data Register 0	TCDT0	R/W		00000000 _B
007942 _H	Timer Control Status Register 0	TCCSL0	R/W		00000000 _B
007943 _H	Timer Control Status Register 0	TCCSH0	R/W		0XXXXXXXX _B
007944 _H	Timer Data Register 1	TCDT1	R/W	Free-run Timer 1	00000000 _B
007945 _H	Timer Data Register 1	TCDT1	R/W		00000000 _B
007946 _H	Timer Control Status Register 1	TCCSL1	R/W		00000000 _B
007947 _H	Timer Control Status Register 1	TCCSH1	R/W		0XXXXXXXX _B
007948 _H	Timer Register 0/Reload Register 0	TMR0/TMRL R0	R/W	16-bit Reload Timer 0	XXXXXXXX _B
007949 _H			R/W		XXXXXXXX _B
00794A _H	Timer Register 1/Reload Register 1	TMR1/TMRL R1	R/W	16-bit Reload Timer 1	XXXXXXXX _B
00794B _H			R/W		XXXXXXXX _B
00794C _H	Timer Register 2/Reload Register 2	TMR2/TMRL R2	R/W	16-bit Reload Timer 2	XXXXXXXX _B
00794D _H			R/W		XXXXXXXX _B
00794E _H	Timer Register 3/Reload Register 3	TMR3/TMRL R3	R/W	16-bit Reload Timer 3	XXXXXXXX _B
00794F _H			R/W		XXXXXXXX _B

(Continued)



MB90350E Series

Address	Register	Abbreviation	Access	Resource name	Initial value
007950 _H	Serial Mode Register 3	SMR3	W, R/W	UART3	00000000 _B
007951 _H	Serial Control Register 3	SCR3	W, R/W		00000000 _B
007952 _H	Reception/Transmission Data Register 3	RDR3/TDR3	R/W		00000000 _B
007953 _H	Serial Status Register 3	SSR3	R,R/W		00001000 _B
007954 _H	Extended Communication Control Register 3	ECCR3	R,W, R/W		000000XX _B
007955 _H	Extended Status Control Register 3	ESCR3	R/W		00000100 _B
007956 _H	Baud Rate Generator Register 30	BGR30	R/W		00000000 _B
007957 _H	Baud Rate Generator Register 31	BGR31	R/W		00000000 _B
007958 _H , 007959 _H	Reserved				
007960 _H	Clock supervisor Control Register	CSVCR	R, R/W	Clock Supervisor	00011100 _B
007961 _H to 00796D _H	Reserved				
00796E _H	CAN Direct Mode Register	CDMR	R/W	CAN Clock Sync	XXXXXXXX0 _B
00796F _H	Reserved				
007970 _H	I ² C Bus Status Register 0	IBSR0	R	I ² C Interface 0	00000000 _B
007971 _H	I ² C Bus Control Register 0	IBCR0	W,R/W		00000000 _B
007972 _H	I ² C 10-bit Slave Address Register 0	ITBAL0	R/W		00000000 _B
007973 _H		ITBAH0	R/W		00000000 _B
007974 _H	I ² C 10-bit Slave Address Mask Register 0	ITMKL0	R/W		11111111 _B
007975 _H		ITMKH0	R/W		00111111 _B
007976 _H	I ² C 7-bit Slave Address Register 0	ISBA0	R/W		00000000 _B
007977 _H	I ² C 7-bit Slave Address Mask Register 0	ISMK0	R/W		01111111 _B
007978 _H	I ² C data register 0	IDAR0	R/W		00000000 _B
007979 _H , 00797A _H	Reserved				
00797B _H	I ² C Clock Control Register 0	ICCR0	R/W	I ² C Interface 0	00011111 _B
00797C _H to 0079A1 _H	Reserved				
0079A2 _H	Flash Write Control Register 0	FWR0	R/W	Dual Operation Flash	00000000 _B
0079A3 _H	Flash Write Control Register 1	FWR1	R/W		00000000 _B
0079A4 _H	Sector Change Setting Register 0	SSR0	R/W		00XXXXX0 _B
0079A5 _H to 0079C1 _H	Reserved				
0079C2 _H	Clock modulator Control Register	CMCR	R, R/W	Clock Modulator	0001X000 _B

(Continued)



(Continued)

Address	Register	Abbreviation	Access	Resource name	Initial value
0079C3 _H to 0079DF _H	Reserved				
0079E0 _H	Detect Address Setting Register 0	PADR0	R/W	Address Match Detection 0	XXXXXXXX _B
0079E1 _H	Detect Address Setting Register 0	PADR0	R/W		XXXXXXXX _B
0079E2 _H	Detect Address Setting Register 0	PADR0	R/W		XXXXXXXX _B
0079E3 _H	Detect Address Setting Register 1	PADR1	R/W		XXXXXXXX _B
0079E4 _H	Detect Address Setting Register 1	PADR1	R/W		XXXXXXXX _B
0079E5 _H	Detect Address Setting Register 1	PADR1	R/W		XXXXXXXX _B
0079E6 _H	Detect Address Setting Register 2	PADR2	R/W		XXXXXXXX _B
0079E7 _H	Detect Address Setting Register 2	PADR2	R/W		XXXXXXXX _B
0079E8 _H	Detect Address Setting Register 2	PADR2	R/W		XXXXXXXX _B
0079E9 _H to 0079EF _H	Reserved				
0079F0 _H	Detect Address Setting Register 3	PADR3	R/W	Address Match Detection 1	XXXXXXXX _B
0079F1 _H	Detect Address Setting Register 3	PADR3	R/W		XXXXXXXX _B
0079F2 _H	Detect Address Setting Register 3	PADR3	R/W		XXXXXXXX _B
0079F3 _H	Detect Address Setting Register 4	PADR4	R/W		XXXXXXXX _B
0079F4 _H	Detect Address Setting Register 4	PADR4	R/W		XXXXXXXX _B
0079F5 _H	Detect Address Setting Register 4	PADR4	R/W		XXXXXXXX _B
0079F6 _H	Detect Address Setting Register 5	PADR5	R/W		XXXXXXXX _B
0079F7 _H	Detect Address Setting Register 5	PADR5	R/W		XXXXXXXX _B
0079F8 _H	Detect Address Setting Register 5	PADR5	R/W		XXXXXXXX _B
0079F9 _H to 007BFF _H	Reserved				
007C00 _H to 007DFF _H	Reserved for CAN controller 1. Refer to "CAN Controllers"				
007E00 _H to 007FFF _H	Reserved				

Notes : " Initial value of "X" represents unknown value.

" Any write access to reserved addresses in I/O map should not be performed. A read access to reserved addresses results reading unknown value.

11. CAN Controllers

- Compliant with CAN standard Version2.0 Part A and Part B
 - Supports tr12ansmission/reception in standard frame and extended frame formats
- Supports transmitting of data frames by receiving remote frames
- 16 transmitting/receiving message buffers
 - 29-bit ID and 8-byte data
 - Multi-level message buffer configuration
- Provides full-bit comparison, full-bit mask, acceptance register 0/acceptance register 1 for each message buffer as ID acceptance mask
 - Two acceptance mask registers in either standard frame format or extended frame formats
- Bit rate programmable from 10 kbps to 2 Mbps (when input clock is at 16 MHz)

**List of Control Registers**

Address	Register	Abbreviation	Access	Initial Value
CAN1				
000080 _H	Message buffer enable register	BVALR	R/W	00000000 _B 00000000 _B
000081 _H				
000082 _H	Transmit request register	TREQR	R/W	00000000 _B 00000000 _B
000083 _H				
000084 _H	Transmit cancel register	TCANR	W	00000000 _B 00000000 _B
000085 _H				
000086 _H	Transmission complete register	TCR	R/W	00000000 _B 00000000 _B
000087 _H				
000088 _H	Receive complete register	RCR	R/W	00000000 _B 00000000 _B
000089 _H				
00008A _H	Remote request receiving register	RRTRR	R/W	00000000 _B 00000000 _B
00008B _H				
00008C _H	Receive overrun register	ROVRR	R/W	00000000 _B 00000000 _B
00008D _H				
00008E _H	Reception interrupt enable register	RIER	R/W	00000000 _B 00000000 _B
00008F _H				

(Continued)



(Continued)

Address	Register	Abbreviation	Access	Initial Value
CAN1				
007D00 _H	Control status register	CSR	R/W, W R/W, R	0XXXX0X1 _B 00XXX000 _B
007D01 _H				
007D02 _H	Last event indicator register	LEIR	R/W	000X0000 _B XXXXXXXX _B
007D03 _H				
007D04 _H	Receive/transmit error counter	RTEC	R	00000000 _B 00000000 _B
007D05 _H				
007D06 _H	Bit timing register	BTR	R/W	11111111 _B X1111111 _B
007D07 _H				
007D08 _H	IDE register	IDER	R/W	XXXXXXXX _B XXXXXXXX _B
007D09 _H				
007D0A _H	Transmit RTR register	TRTRR	R/W	00000000 _B 00000000 _B
007D0B _H				
007D0C _H	Remote frame receive waiting register	RFWTR	R/W	XXXXXXXX _B XXXXXXXX _B
007D0D _H				
007D0E _H	Transmit interrupt enable register	TIER	R/W	00000000 _B 00000000 _B
007D0F _H				
007D10 _H	Acceptance mask select register	AMSR	R/W	XXXXXXXX _B XXXXXXXX _B
007D11 _H				
007D12 _H				XXXXXXXX _B XXXXXXXX _B
007D13 _H				
007D14 _H	Acceptance mask register 0	AMR0	R/W	XXXXXXXX _B XXXXXXXX _B
007D15 _H				
007D16 _H				XXXXXXXX _B XXXXXXXX _B
007D17 _H				
007D18 _H	Acceptance mask register 1	AMR1	R/W	XXXXXXXX _B XXXXXXXX _B
007D19 _H				
007D1A _H				XXXXXXXX _B XXXXXXXX _B
007D1B _H				



List of Message Buffers (ID Registers)

Address	Register	Abbreviation	Access	Initial Value
CAN1				
007C00 _H to 007C1F _H	General-purpose RAM	—	R/W	XXXXXXXX _B to XXXXXXXX _B
007C20 _H	ID register 0	IDR0	R/W	XXXXXXXX _B XXXXXXXX _B
007C21 _H				XXXXXXXX _B XXXXXXXX _B
007C22 _H				XXXXXXXX _B XXXXXXXX _B
007C23 _H				XXXXXXXX _B XXXXXXXX _B
007C24 _H	ID register 1	IDR1	R/W	XXXXXXXX _B XXXXXXXX _B
007C25 _H				XXXXXXXX _B XXXXXXXX _B
007C26 _H				XXXXXXXX _B XXXXXXXX _B
007C27 _H				XXXXXXXX _B XXXXXXXX _B
007C28 _H	ID register 2	IDR2	R/W	XXXXXXXX _B XXXXXXXX _B
007C29 _H				XXXXXXXX _B XXXXXXXX _B
007C2A _H				XXXXXXXX _B XXXXXXXX _B
007C2B _H				XXXXXXXX _B XXXXXXXX _B
007C2C _H	ID register 3	IDR3	R/W	XXXXXXXX _B XXXXXXXX _B
007C2D _H				XXXXXXXX _B XXXXXXXX _B
007C2E _H				XXXXXXXX _B XXXXXXXX _B
007C2F _H				XXXXXXXX _B XXXXXXXX _B
007C30 _H	ID register 4	IDR4	R/W	XXXXXXXX _B XXXXXXXX _B
007C31 _H				XXXXXXXX _B XXXXXXXX _B
007C32 _H				XXXXXXXX _B XXXXXXXX _B
007C33 _H				XXXXXXXX _B XXXXXXXX _B
007C34 _H	ID register 5	IDR5	R/W	XXXXXXXX _B XXXXXXXX _B
007C35 _H				XXXXXXXX _B XXXXXXXX _B
007C36 _H				XXXXXXXX _B XXXXXXXX _B
007C37 _H				XXXXXXXX _B XXXXXXXX _B
007C38 _H	ID register 6	IDR6	R/W	XXXXXXXX _B XXXXXXXX _B
007C39 _H				XXXXXXXX _B XXXXXXXX _B
007C3A _H				XXXXXXXX _B XXXXXXXX _B
007C3B _H				XXXXXXXX _B XXXXXXXX _B
007C3C _H	ID register 7	IDR7	R/W	XXXXXXXX _B XXXXXXXX _B
007C3D _H				XXXXXXXX _B XXXXXXXX _B
007C3E _H				XXXXXXXX _B XXXXXXXX _B
007C3F _H				XXXXXXXX _B XXXXXXXX _B

(Continued)



(Continued)

Address	Register	Abbreviation	Access	Initial Value
CAN1				
007C40 _H	ID register 8	IDR8	R/W	XXXXXXXX _B
007C41 _H				XXXXXXXX _B
007C42 _H				XXXXXXXX _B
007C43 _H				XXXXXXXX _B
007C44 _H	ID register 9	IDR9	R/W	XXXXXXXX _B
007C45 _H				XXXXXXXX _B
007C46 _H				XXXXXXXX _B
007C47 _H				XXXXXXXX _B
007C48 _H	ID register 10	IDR10	R/W	XXXXXXXX _B
007C49 _H				XXXXXXXX _B
007C4A _H				XXXXXXXX _B
007C4B _H				XXXXXXXX _B
007C4C _H	ID register 11	IDR11	R/W	XXXXXXXX _B
007C4D _H				XXXXXXXX _B
007C4E _H				XXXXXXXX _B
007C4F _H				XXXXXXXX _B
007C50 _H	ID register 12	IDR12	R/W	XXXXXXXX _B
007C51 _H				XXXXXXXX _B
007C52 _H				XXXXXXXX _B
007C53 _H				XXXXXXXX _B
007C54 _H	ID register 13	IDR13	R/W	XXXXXXXX _B
007C55 _H				XXXXXXXX _B
007C56 _H				XXXXXXXX _B
007C57 _H				XXXXXXXX _B
007C58 _H	ID register 14	IDR14	R/W	XXXXXXXX _B
007C59 _H				XXXXXXXX _B
007C5A _H				XXXXXXXX _B
007C5B _H				XXXXXXXX _B
007C5C _H	ID register 15	IDR15	R/W	XXXXXXXX _B
007C5D _H				XXXXXXXX _B
007C5E _H				XXXXXXXX _B
007C5F _H				XXXXXXXX _B



List of Message Buffers (DLC Registers and Data Registers)

Address	Register	Abbreviation	Access	Initial Value
CAN1				
007C60 _H	DLC register 0	DLCR0	R/W	XXXXXXXX _B
007C61 _H				
007C62 _H	DLC register 1	DLCR1	R/W	XXXXXXXX _B
007C63 _H				
007C64 _H	DLC register 2	DLCR2	R/W	XXXXXXXX _B
007C65 _H				
007C66 _H	DLC register 3	DLCR3	R/W	XXXXXXXX _B
007C67 _H				
007C68 _H	DLC register 4	DLCR4	R/W	XXXXXXXX _B
007C69 _H				
007C6A _H	DLC register 5	DLCR5	R/W	XXXXXXXX _B
007C6B _H				
007C6C _H	DLC register 6	DLCR6	R/W	XXXXXXXX _B
007C6D _H				
007C6E _H	DLC register 7	DLCR7	R/W	XXXXXXXX _B
007C6F _H				
007C70 _H	DLC register 8	DLCR8	R/W	XXXXXXXX _B
007C71 _H				
007C72 _H	DLC register 9	DLCR9	R/W	XXXXXXXX _B
007C73 _H				
007C74 _H	DLC register 10	DLCR10	R/W	XXXXXXXX _B
007C75 _H				
007C76 _H	DLC register 11	DLCR11	R/W	XXXXXXXX _B
007C77 _H				
007C78 _H	DLC register 12	DLCR12	R/W	XXXXXXXX _B
007C79 _H				
007C7A _H	DLC register 13	DLCR13	R/W	XXXXXXXX _B
007C7B _H				
007C7C _H	DLC register 14	DLCR14	R/W	XXXXXXXX _B
007C7D _H				
007C7E _H	DLC register 15	DLCR15	R/W	XXXXXXXX _B
007C7F _H				

(Continued)



Address	Register	Abbreviation	Access	Initial Value
CAN1				
007C80 _H to 007C87 _H	Data register 0 (8 bytes)	DTR0	R/W	XXXXXXXX _B to XXXXXXXX _B
007C88 _H to 007C8F _H	Data register 1 (8 bytes)	DTR1	R/W	XXXXXXXX _B to XXXXXXXX _B
007C90 _H to 007C97 _H	Data register 2 (8 bytes)	DTR2	R/W	XXXXXXXX _B to XXXXXXXX _B
007C98 _H to 007C9F _H	Data register 3 (8 bytes)	DTR3	R/W	XXXXXXXX _B to XXXXXXXX _B
007CA0 _H to 007CA7 _H	Data register 4 (8 bytes)	DTR4	R/W	XXXXXXXX _B to XXXXXXXX _B
007CA8 _H to 007CAF _H	Data register 5 (8 bytes)	DTR5	R/W	XXXXXXXX _B to XXXXXXXX _B
007CB0 _H to 007CB7 _H	Data register 6 (8 bytes)	DTR6	R/W	XXXXXXXX _B to XXXXXXXX _B
007CB8 _H to 007CBF _H	Data register 7 (8 bytes)	DTR7	R/W	XXXXXXXX _B to XXXXXXXX _B
007CC0 _H to 007CC7 _H	Data register 8 (8 bytes)	DTR8	R/W	XXXXXXXX _B to XXXXXXXX _B
007CC8 _H to 007CCF _H	Data register 9 (8 bytes)	DTR9	R/W	XXXXXXXX _B to XXXXXXXX _B
007CD0 _H to 007CD7 _H	Data register 10 (8 bytes)	DTR10	R/W	XXXXXXXX _B to XXXXXXXX _B
007CD8 _H to 007CDF _H	Data register 11 (8 bytes)	DTR11	R/W	XXXXXXXX _B to XXXXXXXX _B
007CE0 _H to 007CE7 _H	Data register 12 (8 bytes)	DTR12	R/W	XXXXXXXX _B to XXXXXXXX _B
007CE8 _H to 007CEF _H	Data register 13 (8 bytes)	DTR13	R/W	XXXXXXXX _B to XXXXXXXX _B

(Continued)

*(Continued)*

Address	Register	Abbreviation	Access	Initial Value
CAN1				
007CF0 _H to 007CF7 _H	Data register 14 (8 bytes)	DTR14	R/W	XXXXXXXX _B to XXXXXXXX _B
007CF8 _H to 007CFF _H	Data register 15 (8 bytes)	DTR15	R/W	XXXXXXXX _B to XXXXXXXX _B



12. Interrupt Factors, Interrupt Vectors, Interrupt Control Register

Interrupt cause	EI ² OS corresponding	DMA ch number	Interrupt vector		Interrupt control register	
			Number	Address	Number	Address
Reset	N	—	#08	FFFFDC _H	—	—
INT9 instruction	N	—	#09	FFFFD8 _H	—	—
Exception	N	—	#10	FFFFD4 _H	—	—
Reserved	N	—	#11	FFFFD0 _H	ICR00	0000B0 _H
Reserved	N	—	#12	FFFFCC _H		
CAN 1 RX / Input Capture 6	Y1	—	#13	FFFFC8 _H	ICR01	0000B1 _H
CAN 1 TX/NS / Input Capture 7	Y1	—	#14	FFFFC4 _H		
I ² C	N	—	#15	FFFFC0 _H	ICR02	0000B2 _H
Reserved	N	—	#16	FFFFBC _H		
16-bit Reload Timer 0	Y1	0	#17	FFFFB8 _H	ICR03	0000B3 _H
16-bit Reload Timer 1	Y1	1	#18	FFFFB4 _H		
16-bit Reload Timer 2	Y1	2	#19	FFFFB0 _H	ICR04	0000B4 _H
16-bit Reload Timer 3	Y1	—	#20	FFFFAC _H		
PPG 4/5	N	—	#21	FFFFA8 _H	ICR05	0000B5 _H
PPG 6/7	N	—	#22	FFFFA4 _H		
PPG 8/9/C/D	N	—	#23	FFFFA0 _H	ICR06	0000B6 _H
PPG A/B/E/F	N	—	#24	FFFF9C _H		
Timebase Timer	N	—	#25	FFFF98 _H	ICR07	0000B7 _H
External Interrupt 8 to 11	Y1	3	#26	FFFF94 _H		
Watch Timer	N	—	#27	FFFF90 _H	ICR08	0000B8 _H
External Interrupt 12 to 15	Y1	4	#28	FFFF8C _H		
A/D Converter	Y1	5	#29	FFFF88 _H	ICR09	0000B9 _H
Free-run Timer 0 / free-run Timer 1	N	—	#30	FFFF84 _H		
Input Capture 4/5	Y1	6	#31	FFFF80 _H	ICR10	0000BA _H
Output Compare 4/5	Y1	7	#32	FFFF7C _H		
Input Capture 0/1	Y1	8	#33	FFFF78 _H	ICR11	0000BB _H
Output Compare 6/7	Y1	9	#34	FFFF74 _H		
Reserved	N	10	#35	FFFF70 _H	ICR12	0000BC _H
Reserved	N	11	#36	FFFF6C _H		
UART 3 RX	Y2	12	#37	FFFF68 _H	ICR13	0000BD _H
UART 3 TX	Y1	13	#38	FFFF64 _H		

(Continued)



(Continued)

Interrupt cause	EI ² OS corresponding	DMA ch number	Interrupt vector		Interrupt control register	
			Number	Address	Number	Address
UART 2 RX	Y2	14	#39	FFFF60 _H	ICR14	0000BE _H
UART 2 TX	Y1	15	#40	FFFF5C _H		
Flash Memory	N	—	#41	FFFF58 _H	ICR15	0000BF _H
Delayed Interrupt	N	—	#42	FFFF54 _H		

Y1 : Usable

Y2 : Usable, with EI²OS stop function

N : Unusable

- Notes :
- The peripheral resources sharing the ICR register have the same interrupt level.
 - When the peripheral resources sharing the ICR register use extended intelligent I/O service, only one can use EI²OS at a time.
 - When either of the two peripheral resources sharing the ICR register specifies EI²OS, the other one cannot use interrupts.

13. Electrical Characteristics

13.1 Absolute Maximum Ratings

Parameter	Symbol	Rating		Unit	Remarks
		Min	Max		
Power supply voltage*1	V _{CC}	V _{SS} - 0.3	V _{SS} + 6.0	V	
	AV _{CC}	V _{SS} - 0.3	V _{SS} + 6.0	V	V _{CC} = AV _{CC} *2
	AVRH	V _{SS} - 0.3	V _{SS} + 6.0	V	AV _{CC} ≥ AVRH*2
Input voltage*1	V _I	V _{SS} - 0.3	V _{SS} + 6.0	V	*3
Output voltage*1	V _O	V _{SS} - 0.3	V _{SS} + 6.0	V	*3
Maximum Clamp Current	I _{CLAMP}	-4.0	+4.0	mA	*5
Total Maximum Clamp Current	Σ I _{CLAMP}	—	40	mA	*5
"L" level maximum output current	I _{OL}	—	15	mA	*4
"L" level average output current	I _{OLAV}	—	4	mA	*4
"L" level maximum overall output current	ΣI _{OL}	—	100	mA	*4
"L" level average overall output current	ΣI _{OLAV}	—	50	mA	*4
"H" level maximum output current	I _{OH}	—	-15	mA	*4
"H" level average output current	I _{OHAV}	—	-4	mA	*4
"H" level maximum overall output current	ΣI _{OH}	—	-100	mA	*4
"H" level average overall output current	ΣI _{OHAV}	—	-50	mA	*4
Power consumption	P _D	—	454	mW	
Operating temperature	T _A	-40	+105	°C	
		-40	+125	°C	*6
Storage temperature	T _{STG}	-55	+150	°C	

(Continued)

(Continued)

*1: This parameter is based on $V_{SS} = AV_{SS} = 0\text{ V}$

*2: Set AV_{CC} and V_{CC} to the same voltage. Make sure that AV_{CC} does not exceed V_{CC} and that the voltage at the analog inputs does not exceed AV_{CC} when the power is switched on.

*3: V_I and V_O should not exceed $V_{CC} + 0.3\text{ V}$. V_I should not exceed the specified ratings. However if the maximum current to/from an input is limited by some means with external components, the I_{CLAMP} rating supersedes the V_I rating.

*4: Applicable to pins: P00 to P07, P10 to P17, P20 to P25, P30 to P37, P40 to P45, P50 to P56, P60 to P67

*5: Applicable to pins: P00 to P07, P10 to P17, P20 to P25, P30 to P37, P40 to P45,
P50 to P56 (for evaluation device : P50 to P55) , P60 to P67

" Use within recommended operating conditions.

" Use at DC voltage (current)

" The +B signal should always be applied a connecting limit resistance between the +B signal and the microcontroller.

" The value of the limiting resistance should be set so that when the +B signal is applied the input current to the microcontroller pin does not exceed rated values, either instantaneously or for prolonged periods.

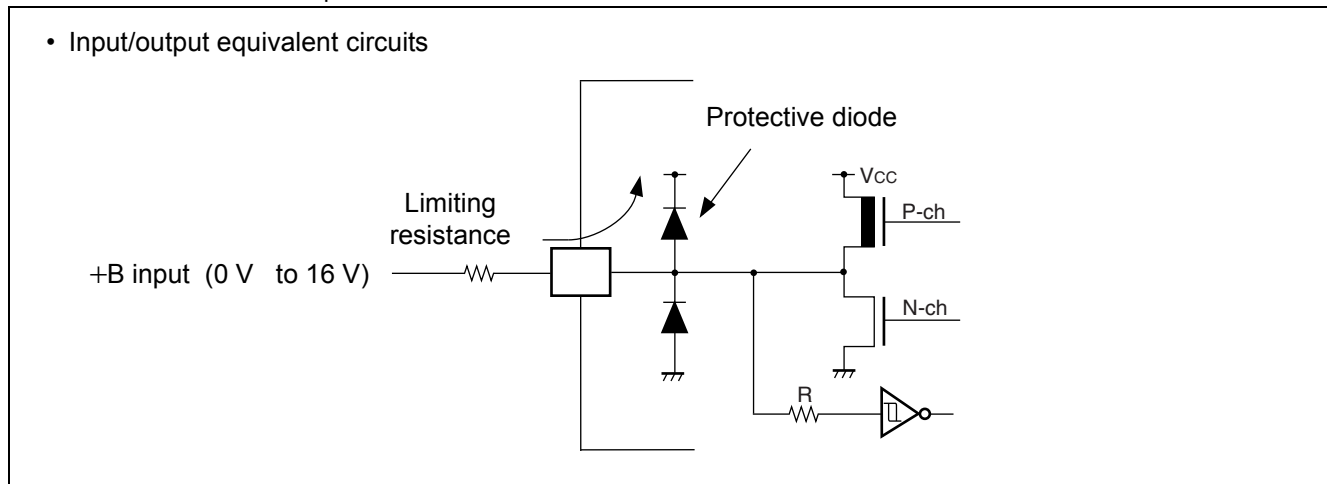
" Note that when the microcontroller drive current is low, such as in the power saving modes, the +B input potential may pass through the protective diode and increase the potential at the V_{CC} pin, and this may affect other devices.

" Note that if a +B signal is input when the microcontroller power supply is off (not fixed at 0 V) , the power supply is provided from the pins, so that incomplete operation may result.

" Note that if the +B input is applied during power-on, the power supply is provided from the pins and the resulting power supply voltage may not be sufficient to operate the power-on reset.

" Care must be taken not to leave the +B input pin open.

" Recommended circuit sample:



*6 : If used exceeding $T_A = +105^\circ\text{C}$, be sure to contact Cypress for reliability limitations.

WARNING: Semiconductor devices can be permanently damaged by application of stress (voltage, current, temperature, etc.) in excess of absolute maximum ratings. Do not exceed these ratings.



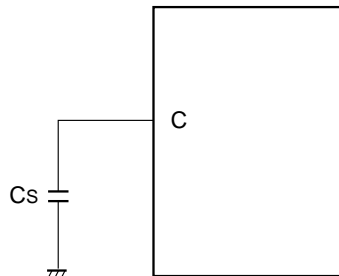
13.2 Recommended Operating Conditions

($V_{SS} = AV_{SS} = 0\text{ V}$)

Parameter	Symbol	Value			Unit	Remarks
		Min	Typ	Max		
Power supply voltage	V_{CC}, AV_{CC}	4.0	5.0	5.5	V	Under normal operation
		3.5	5.0	5.5	V	Under normal operation, when not using the A/D converter and not Flash programming.
		4.5	5.0	5.5	V	When External bus is used.
		3.0	—	5.5	V	Maintains RAM data in stop mode
Smoothing capacitor	C_S	0.1	—	1.0	μF	Use a ceramic capacitor or comparable capacitor of the AC characteristics. Bypass capacitor at the V_{CC} pin should be greater than this capacitor.
Operating temperature	T_A	-40	—	+125	$^{\circ}\text{C}$	*

* : If used exceeding $T_A = +105^{\circ}\text{C}$, be sure to contact Cypress for reliability limitations.

" C Pin Connection Diagram



WARNING: The recommended operating conditions are required in order to ensure the normal operation of the semiconductor device. All of the device's electrical characteristics are warranted when the device is operated within these ranges.

Always use semiconductor devices within their recommended operating condition ranges.

Operation outside these ranges may adversely affect reliability and could result in device failure.

No warranty is made with respect to uses, operating conditions, or combinations not represented on the data sheet. Users considering application outside the listed conditions are advised to contact their representatives beforehand.



13.3 DC Characteristics

(T_A = -40°C to +125°C, V_{CC} = 5.0 V ± 10%, f_{CP} ≤ 24 MHz, V_{SS} = AV_{SS} = 0 V)

Parameter	Symbol	Pin	Condition	Value			Unit	Remarks
				Min	Typ	Max		
"H" level input voltage (At V _{CC} = 5 V ± 10%)	V _{IHS}	—	—	0.8 V _{CC}	—	V _{CC} + 0.3	V	Pin inputs if CMOS hysteresis input levels are selected (except P12, P15, P44, P45, P50)
	V _{IHA}	—	—	0.8 V _{CC}	—	V _{CC} + 0.3	V	Pin inputs if Automotive input levels are selected
	V _{IHT}	—	—	2.0	—	V _{CC} + 0.3	V	Pin inputs if TTL input levels are selected
	V _{IHS}	—	—	0.7 V _{CC}	—	V _{CC} + 0.3	V	P12, P15, P50 inputs if CMOS input levels are selected
	V _{IHI}	—	—	0.7 V _{CC}	—	V _{CC} + 0.3	V	P44, P45 inputs if CMOS hysteresis input levels are selected
	V _{IHR}	—	—	0.8 V _{CC}	—	V _{CC} + 0.3	V	RST input pin (CMOS hysteresis)
	V _{IHM}	—	—	V _{CC} - 0.3	—	V _{CC} + 0.3	V	MD input pin
"L" level input voltage (At V _{CC} = 5 V ± 10%)	V _{ILS}	—	—	V _{SS} - 0.3	—	0.2 V _{CC}	V	Pin inputs if CMOS hysteresis input levels are selected (except P12, P15, P44, P45, P50)
	V _{ILA}	—	—	V _{SS} - 0.3	—	0.5 V _{CC}	V	Pin inputs if Automotive input levels are selected
	V _{ILT}	—	—	V _{SS} - 0.3	—	0.8	V	Pin inputs if TTL input levels are selected
	V _{ILS}	—	—	V _{SS} - 0.3	—	0.3 V _{CC}	V	P12, P15, P50 inputs if CMOS input levels are selected
	V _{ILI}	—	—	V _{SS} - 0.3	—	0.3 V _{CC}	V	P44, P45 inputs if CMOS hysteresis input levels are selected
	V _{ILR}	—	—	V _{SS} - 0.3	—	0.2 V _{CC}	V	RST input pin (CMOS hysteresis)
	V _{ILM}	—	—	V _{SS} - 0.3	—	V _{SS} + 0.3	V	MD input pin
Output "H" voltage	V _{OH}	Normal outputs	V _{CC} = 4.5 V, I _{OH} = -4.0 mA	V _{CC} - 0.5	—	—	V	
Output "H" voltage	V _{OHI}	I ² C current outputs	V _{CC} = 4.5 V, I _{OH} = -3.0 mA	V _{CC} - 0.5	—	—	V	

(Continued)



MB90350E Series

($T_A = -40^\circ\text{C}$ to $+125^\circ\text{C}$, $V_{CC} = 5.0\text{ V} \pm 10\%$, $f_{CP} \leq 24\text{ MHz}$, $V_{SS} = AV_{SS} = 0\text{ V}$)

Parameter	Symbol	Pin	Condition	Value			Unit	Remarks
				Min	Typ	Max		
Output "L" voltage	V_{OL}	Normal outputs	$V_{CC} = 4.5\text{ V}$, $I_{OL} = 4.0\text{ mA}$	–	–	0.4	V	
Output "L" voltage	V_{OLI}	I ² C current outputs	$V_{CC} = 4.5\text{ V}$, $I_{OL} = 3.0\text{ mA}$	–	–	0.4	V	
Input leak current	I_{IL}	–	$V_{CC} = 5.5\text{ V}$, $V_{SS} < V_I < V_{CC}$	–1	–	+1	μA	
Pull-up resistance	R_{UP}	P00 to P07, P10 to P17, P20 to P25, P30 to P37, $\overline{\text{RST}}$	–	25	50	100	$\text{k}\Omega$	
Pull-down resistance	R_{DOWN}	MD2	–	25	50	100	$\text{k}\Omega$	Except Flash memory devices
Power supply current	I_{CC}	V_{CC}	$V_{CC} = 5.0\text{ V}$, Internal frequency : 24 MHz, At normal operation.	–	48	60	mA	
			$V_{CC} = 5.0\text{ V}$, Internal frequency : 24 MHz, At writing Flash memory.	–	53	65	mA	Flash memory devices
			$V_{CC} = 5.0\text{ V}$, Internal frequency : 24 MHz, At erasing Flash memory.	–	58	70	mA	Flash memory devices
	I_{CCS}		$V_{CC} = 5.0\text{ V}$, Internal frequency : 24 MHz, At Sleep mode.	–	25	35	mA	
	I_{CTS}		$V_{CC} = 5.0\text{ V}$, Internal frequency : 2 MHz, At Main Timer mode	–	0.3	0.8	mA	Devices without "T"-suffix
			–	–	0.4	1.0	mA	Devices with "T"-suffix
$I_{CTSPLL6}$	$V_{CC} = 5.0\text{ V}$, Internal frequency : 24 MHz, At PLL Timer mode, external frequency = 4 MHz	–	4	7	mA			

(Continued)



MB90350E Series

(T_A = -40°C to +125°C, V_{CC} = 5.0 V ± 10%, f_{CP} ≤ 24 MHz, V_{SS} = AV_{SS} = 0 V)

Parameter	Sym- bol	Pin	Condition	Value			Unit	Remarks
				Min	Typ	Max		
Power supply current	I _{CCL}	V _{CC}	V _{CC} = 5.0 V, Internal frequency: 8 kHz, During stopping clock supervisor, At sub clock operation T _A = +25°C	—	70	140	μA	MB90351E MB90F351E MB90352E MB90F352E MB90356E MB90F356E MB90357E MB90F357E
			V _{CC} = 5.0 V, Internal frequency: 8 kHz, During operating clock supervisor, At sub clock operation T _A = +25°C	—	100	200	μA	MB90356E MB90F356E MB90357E MB90F357E
			V _{CC} = 5.0 V, Internal CR oscillation/ 4 division, At sub clock operation T _A = +25°C	—	100	200	μA	MB90356ES MB90F356ES MB90357ES MB90F357ES
			V _{CC} = 5.0 V, Internal frequency: 8 kHz, During stopping clock supervisor, At sub clock operation T _A = +25°C	—	120	240	μA	MB90351TE MB90F351TE MB90352TE MB90F352TE MB90356TE MB90F356TE MB90357TE MB90F357TE
			V _{CC} = 5.0 V, Internal frequency: 8 kHz, During operating clock supervisor, At sub clock operation T _A = +25°C	—	150	300	μA	MB90356TE MB90F356TE MB90357TE MB90F357TE
			V _{CC} = 5.0 V, Internal CR oscillation/ 4 division, At sub clock operation T _A = +25°C	—	150	300	μA	MB90356TES MB90F356TES MB90357TES MB90F357TES

(Continued)



MB90350E Series

(T_A = -40°C to +125°C, V_{CC} = 5.0 V ± 10%, f_{CP} ≤ 24 MHz, V_{SS} = AV_{SS} = 0 V)

Parameter	Sym-bol	Pin	Condition	Value			Unit	Remarks
				Min	Typ	Max		
Power supply current	I _{CCLS}	V _{CC}	V _{CC} = 5.0 V, Internal frequency: 8 kHz, During stopping clock supervisor, At sub sleep T _A = +25°C	—	20	50	μA	MB90351E MB90F351E MB90352E MB90F352E MB90356E MB90F356E MB90357E MB90F357E
			V _{CC} = 5.0 V, Internal frequency: 8 kHz, During operating clock supervisor, At sub sleep T _A = +25°C	—	60	200	μA	MB90356E MB90F356E MB90357E MB90F357E
			V _{CC} = 5.0 V, Internal CR oscillation/ 4 division, At sub sleep T _A = +25°C	—	60	200	μA	MB90356ES MB90F356ES MB90357ES MB90F357ES
			V _{CC} = 5.0 V, Internal frequency: 8 kHz, At sub sleep T _A = +25°C	—	70	150	μA	MB90351TE MB90F351TE MB90352TE MB90F352TE MB90356TE MB90F356TE MB90357TE MB90F357TE
			V _{CC} = 5.0 V, Internal frequency: 8 kHz, During operating clock supervisor, At sub sleep T _A = +25°C	—	110	300	μA	MB90356TE MB90F356TE MB90357TE MB90F357TE
			V _{CC} = 5.0 V, Internal CR oscillation/ 4 division, At sub sleep T _A = +25°C	—	110	300	μA	MB90356TES MB90F356TES MB90357TES MB90F357TES

(Continued)



MB90350E Series

(Continued)

($T_A = -40^\circ\text{C}$ to $+125^\circ\text{C}$, $V_{CC} = 5.0\text{ V} \pm 10\%$, $f_{CP} \leq 24\text{ MHz}$, $V_{SS} = AV_{SS} = 0\text{ V}$)

Parameter	Symbol	Pin	Condition	Value			Unit	Remarks
				Min	Typ	Max		
Power supply current	I_{CCT}	V_{CC}	$V_{CC} = 5.0\text{ V}$, Internal frequency: 8 kHz, During stopping clock supervisor, At watch mode $T_A = +25^\circ\text{C}$	—	10	35	μA	MB90351E MB90F351E MB90352E MB90F352E MB90356E MB90F356E MB90357E MB90F357E
			$V_{CC} = 5.0\text{ V}$, Internal frequency: 8 kHz, During operating clock supervisor, At watch mode $T_A = +25^\circ\text{C}$	—	25	150	μA	MB90356E MB90F356E MB90357E MB90F357E
			$V_{CC} = 5.0\text{ V}$, Internal CR oscillation/ 4 division, At watch mode $T_A = +25^\circ\text{C}$	—	25	150	μA	MB90356ES MB90F356ES MB90357ES MB90F357ES
			$V_{CC} = 5.0\text{ V}$, Internal frequency: 8 kHz, During stopping clock supervisor, At watch mode $T_A = +25^\circ\text{C}$	—	60	140	μA	MB90351TE MB90F351TE MB90352TE MB90F352TE MB90356TE MB90F356TE MB90357TE MB90F357TE
			$V_{CC} = 5.0\text{ V}$, Internal frequency: 8 kHz, During operating clock supervisor, At watch mode $T_A = +25^\circ\text{C}$	—	80	250	μA	MB90356TE MB90F356TE MB90357TE MB90F357TE
			$V_{CC} = 5.0\text{ V}$, Internal CR oscillation/ 4 division, At watch mode $T_A = +25^\circ\text{C}$	—	80	250	μA	MB90356TES MB90F356TES MB90357TES MB90F357TES
	I_{CCH}	$V_{CC} = 5.0\text{ V}$, At stop mode, $T_A = +25^\circ\text{C}$	—	7	25	μA	Devices without "T"-suffix	
		—	60	130	μA	Devices with "T"-suffix		
Input capacity	C_{IN}	Other than C, AV_{CC} , AV_{SS} , AVRH, V_{CC} , V_{SS}	—	—	5	15	pF	



13.4 AC Characteristics

13.4.1 Clock Timing

($T_A = -40^{\circ}\text{C}$ to $+125^{\circ}\text{C}$, $V_{CC} = 5.0\text{ V} \pm 10\%$, $f_{CP} \leq 24\text{ MHz}$, $V_{SS} = AV_{SS} = 0\text{ V}$)

Parameter	Symbol	Pin	Value			Unit	Remarks
			Min	Typ	Max		
Clock frequency	f_C	X0, X1	3	—	16	MHz	1/2 (at PLL stop) When using an oscillation circuit
			4	—	16	MHz	1 multiplied PLL When using an oscillation circuit
			4	—	12	MHz	2 multiplied PLL When using an oscillation circuit
			4	—	8	MHz	3 multiplied PLL When using an oscillation circuit
			4	—	6	MHz	4 multiplied PLL When using an oscillation circuit
			—	—	4	MHz	6 multiplied PLL When using an oscillation circuit
		X0	3	—	24	MHz	1/2 (at PLL stop), When using an external clock
			4	—	24	MHz	1 multiplied PLL When using an external clock
			4	—	12	MHz	2 multiplied PLL When using an external clock
			4	—	8	MHz	3 multiplied PLL When using an external clock
			4	—	6	MHz	4 multiplied PLL When using an external clock
			—	—	4	MHz	6 multiplied PLL When using an external clock
	fCL	X0A, X1A	—	32.768	100	kHz	When using sub clock
Clock cycle time	t_{CYL}	X0, X1	62.5	—	333	ns	When using an oscillation circuit
		X0	41.67	—	333	ns	When using an external clock
	t_{CYLL}	X0A, X1A	10	30.5	—	μs	
Input clock pulse width	P_{WH}, P_{WL}	X0	10	—	—	ns	Duty ratio should be about 30% to 70%.
	P_{WHL}, P_{WLL}	X0A	5	15.2	—	μs	
Input clock rise and fall time	t_{CR}, t_{CF}	X0	—	—	5	ns	When using an external clock

(Continued)



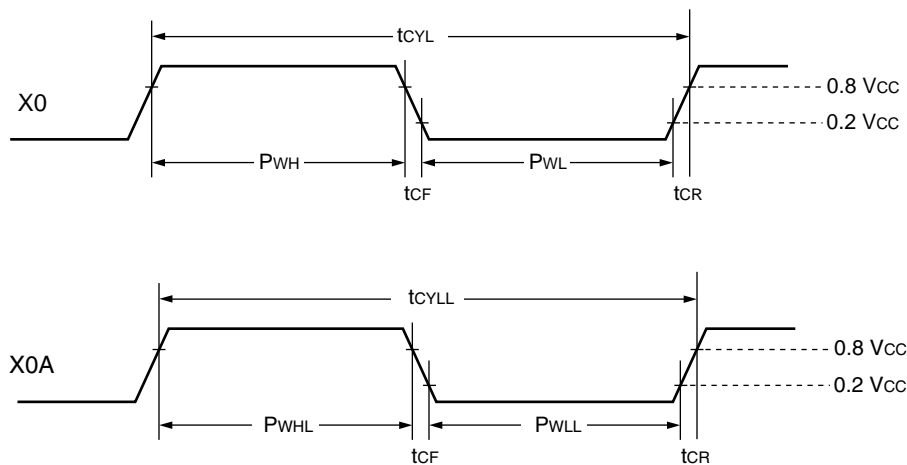
(Continued)

 $(T_A = -40^{\circ}\text{C to } +125^{\circ}\text{C}, V_{CC} = 5.0\text{ V} \pm 10\%, f_{CP} \leq 24\text{ MHz}, V_{SS} = AV_{SS} = 0\text{ V})$

Parameter	Symbol	Pin	Value			Unit	Remarks
			Min	Typ	Max		
Internal operating clock frequency (machine clock)	f_{CP}	—	1.5	—	24	MHz	When using main clock
	f_{CPL}	—	—	8.192	50	kHz	When using sub clock
Internal operating clock cycle time (machine clock)	t_{CP}	—	41.67	—	666	ns	When using main clock
	t_{CPL}	—	20	122.1	—	μs	When using sub clock

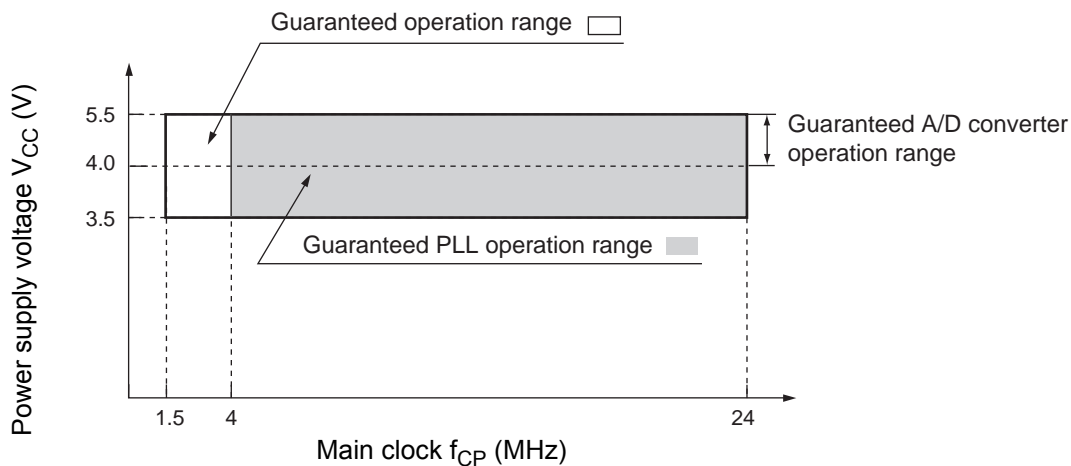
*: The limitation is in the range of the clock frequency when PLL is used. Use within the range in graph of “· PLL guaranteed operation range External clock frequency and internal operation clock frequency”.

• Clock Timing

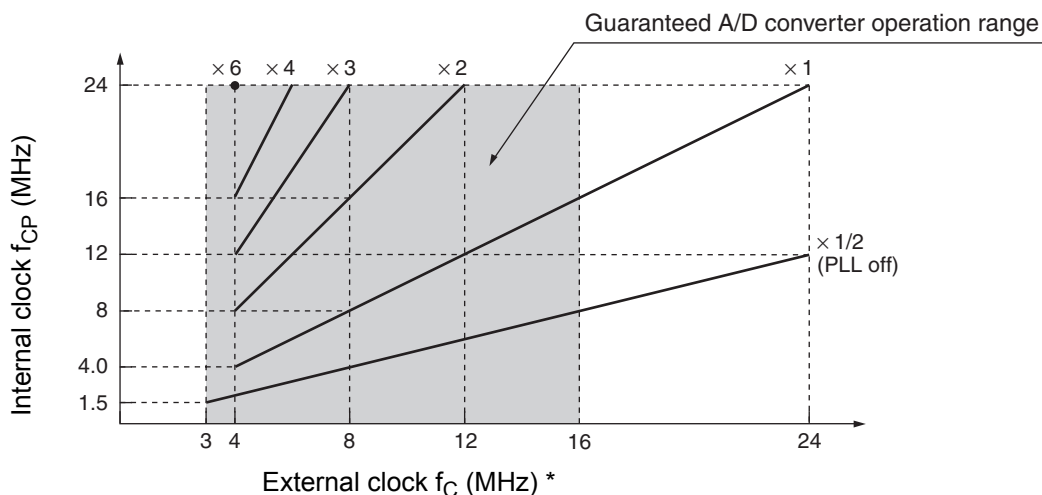




• PLL guaranteed operation range



Guaranteed operation range of MB90350E series



* : When using crystal oscillator or ceramic oscillator, the maximum clock frequency is 16 MHz.

External clock frequency and internal operation clock frequency

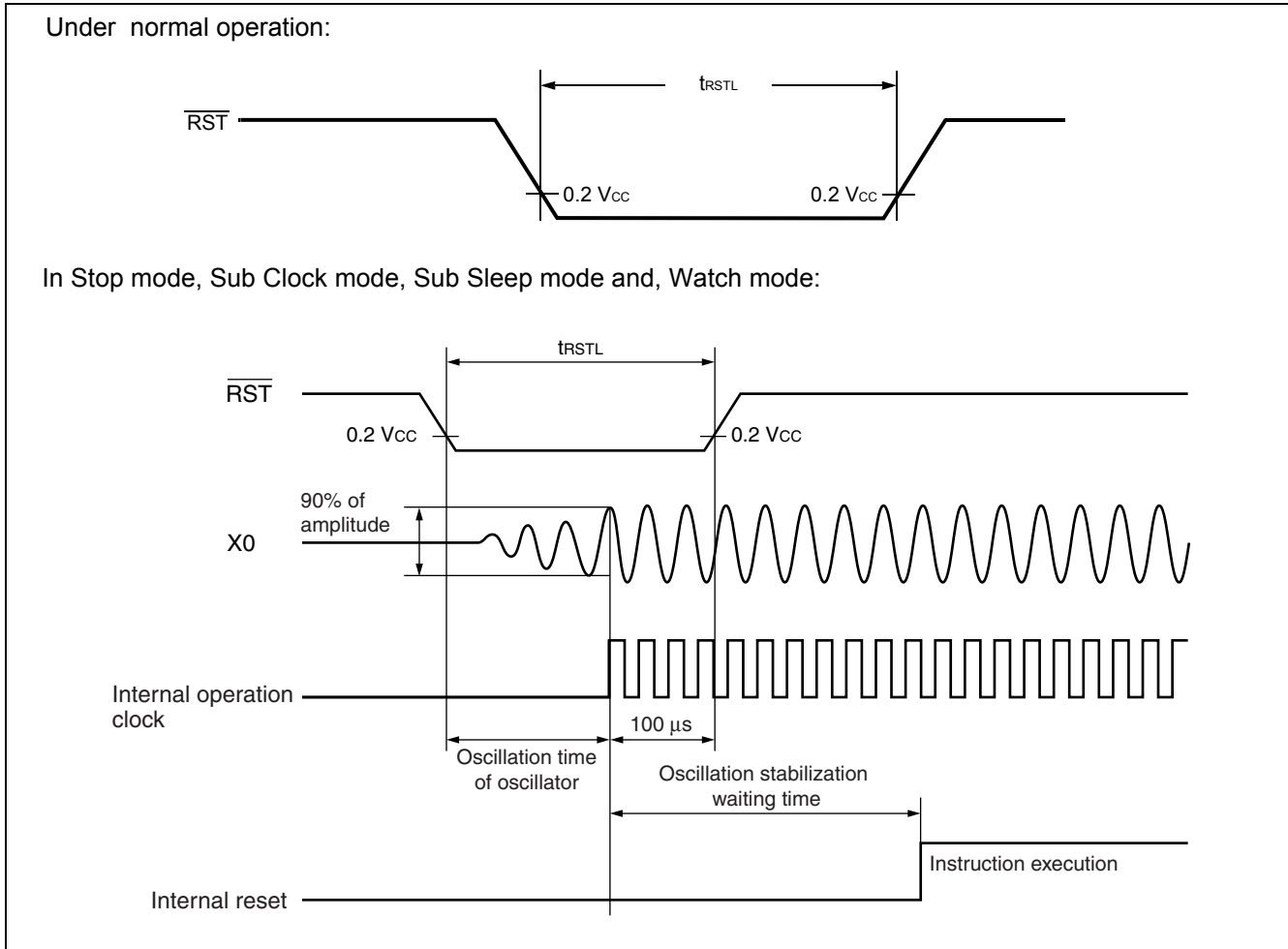
13.4.2 Reset Standby Input

($T_A = -40^{\circ}\text{C}$ to $+125^{\circ}\text{C}$, $V_{CC} = 5.0\text{ V} \pm 10\%$, $f_{CP} \leq 24\text{ MHz}$, $V_{SS} = AV_{SS} = 0\text{ V}$)

Parameter	Symbol	Pin	Value		Unit	Remarks	
			Min	Max			
Reset input time	t_{RSTL}	$\overline{\text{RST}}$	500	–	ns	Under normal operation	
			Oscillation time of oscillator* + 100 μs		–	μs	In Stop mode, Sub Clock mode, Sub Sleep mode and Watch mode
			100	–	μs	In Main timer mode and PLL timer mode	



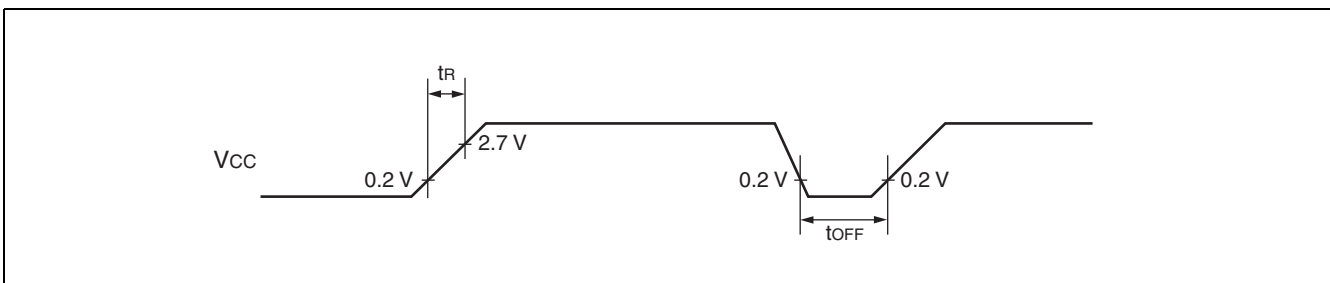
* : Oscillation time of oscillator is the time that the amplitude reaches 90%. In the crystal oscillator, the oscillation time is between several ms to tens of ms. In ceramic oscillators, the oscillation time is between hundreds of μs to several ms. With an external clock, the oscillation time is 0 ms.



13.4.3 Power On Reset

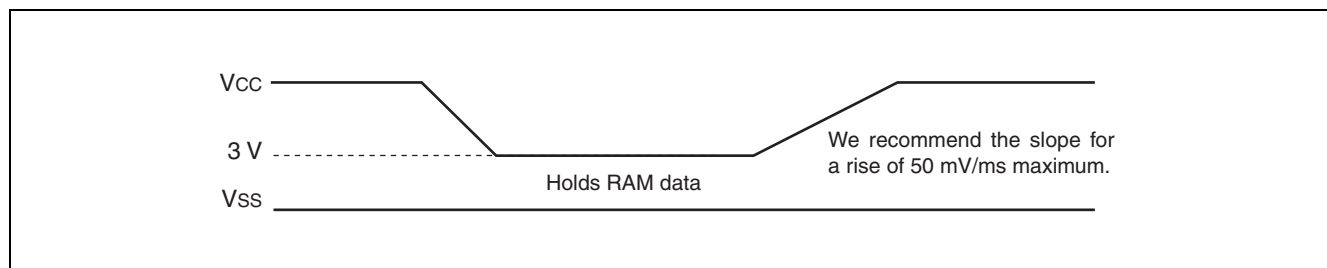
($T_A = -40^{\circ}\text{C}$ to $+125^{\circ}\text{C}$, $V_{CC} = 5.0\text{ V} \pm 10\%$, $f_{CP} \leq 24\text{ MHz}$, $V_{SS} = AV_{SS} = 0\text{ V}$)

Parameter	Symbol	Pin	Condition	Value		Unit	Remarks
				Min	Max		
Power on rise time	t_R	V_{CC}	-	0.05	30	ms	
Power off time	t_{OFF}	V_{CC}		1	-	ms	Waiting time until power-on





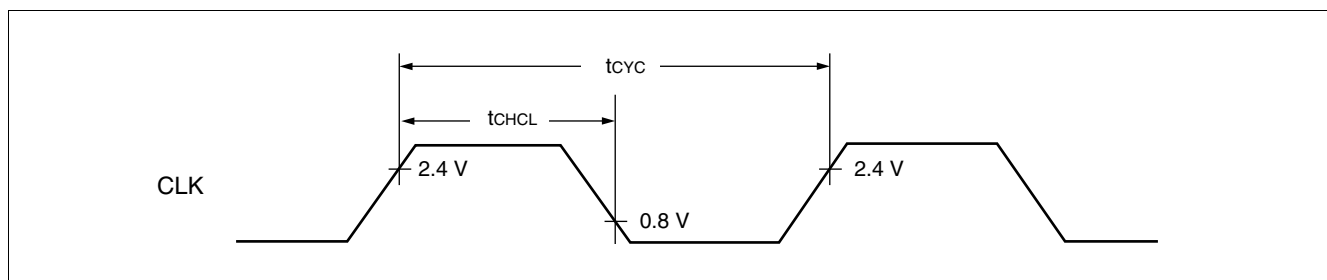
Note : If you change the power supply voltage too rapidly, a power on reset may occur. We recommend that you start up smoothly by restraining voltages when changing the power supply voltage during operation, as shown in the figure below. Perform while not using the PLL clock. However, if voltage drops are within 1 V/s, you can operate while using the PLL clock.



13.4.4 Clock Output Timing

($T_A = -40^{\circ}\text{C}$ to $+105^{\circ}\text{C}$, $V_{CC} = 5.0\text{ V} \pm 10\%$, $V_{SS} = 0.0\text{ V}$, $f_{CP} \leq 24\text{ MHz}$)

Parameter	Symbol	Pin	Condition	Value		Unit	Remarks
				Min	Max		
Cycle time	t_{CYC}	CLK	—	62.5	—	ns	$f_{CP} = 16\text{ MHz}$
				41.67	—	ns	$f_{CP} = 24\text{ MHz}$
CLK \uparrow → CLK \downarrow	t_{CHCL}	CLK	—	20	—	ns	$f_{CP} = 16\text{ MHz}$
				13	—	ns	$f_{CP} = 24\text{ MHz}$





13.4.5 Bus Timing (Read)

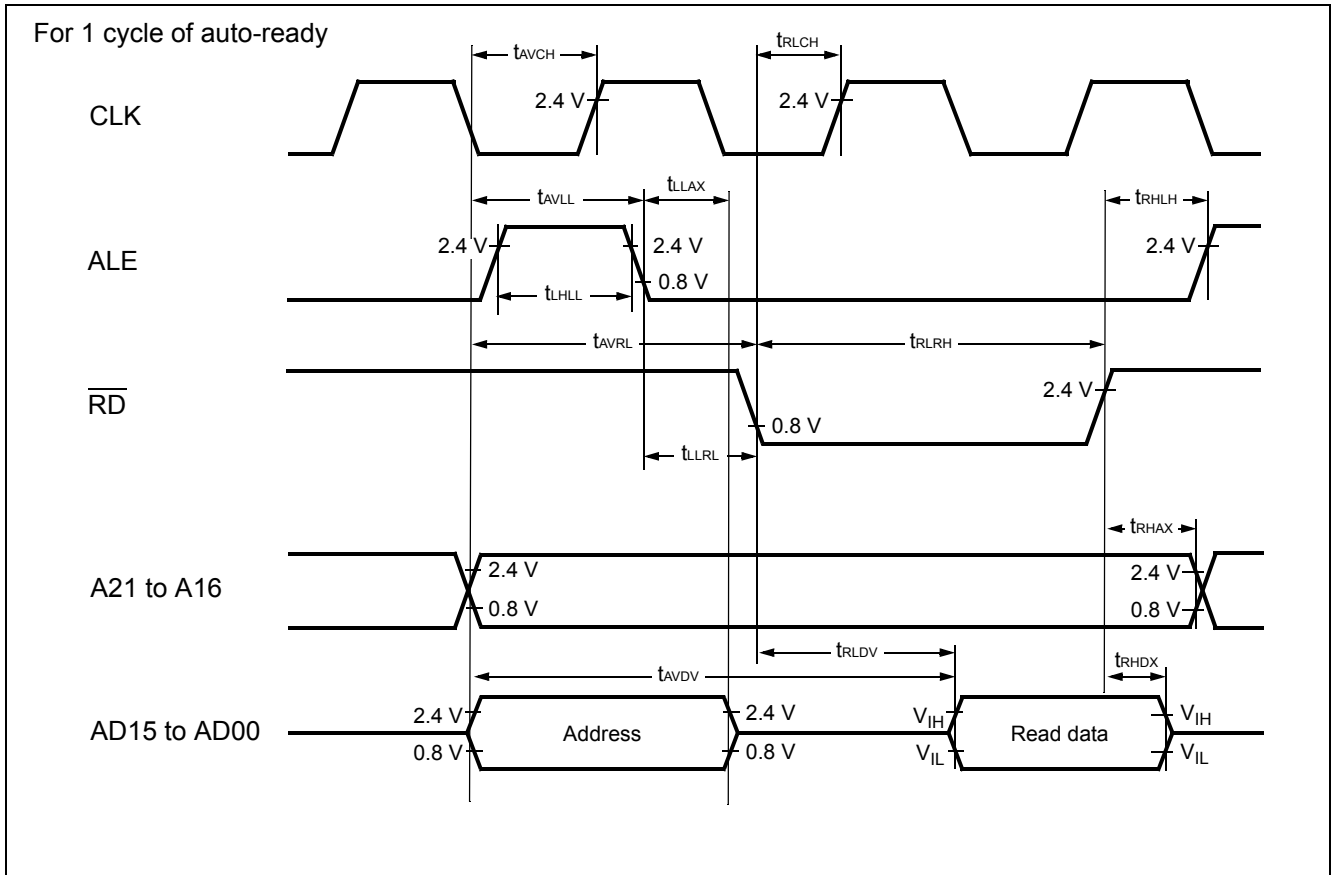
(T_A = -40°C to +105°C, V_{CC} = 5.0 V ± 10 %, V_{SS} = 0.0 V, f_{CP} ≤ 24 MHz)

Parameter	Symbol	Pin	Condition	Value		Unit
				Min	Max	
ALE pulse width	t _{LHLL}	ALE	—	t _{CP} /2 - 10	—	ns
Valid address → ALE ↓ time	t _{AVLL}	ALE, A21 to A16, AD15 to AD00		t _{CP} /2 - 20	—	ns
ALE ↓ → Address valid time	t _{LLAX}	ALE, AD15 to AD00		t _{CP} /2 - 15	—	ns
Valid address → \overline{RD} ↓ time	t _{AVRL}	A21 to A16, AD15 to AD00, \overline{RD}		t _{CP} - 15	—	ns
Valid address → Valid data input	t _{AVDV}	A21 to A16, AD15 to AD00		—	5 t _{CP} /2 - 60	ns
\overline{RD} pulse width	t _{RLRH}	\overline{RD}		(n*+3/2) t _{CP} - 20	—	ns
\overline{RD} ↓ → Valid data input	t _{RLDV}	\overline{RD} , AD15 to AD00		—	(n*+3/2) t _{CP} - 50	ns
\overline{RD} ↑ → Data hold time	t _{RHDX}	\overline{RD} , AD15 to AD00		0	—	ns
\overline{RD} ↑ → ALE ↑ time	t _{RHLH}	\overline{RD} , ALE		t _{CP} /2 - 15	—	ns
\overline{RD} ↑ → Address valid time	t _{RHAX}	\overline{RD} , A21 to A16		t _{CP} /2 - 10	—	ns
Valid address → CLK ↑ time	t _{AVCH}	A21 to A16, AD15 to AD00, CLK		t _{CP} /2 - 16	—	ns
\overline{RD} ↓ → CLK ↑ time	t _{RLCH}	\overline{RD} , CLK		t _{CP} /2 - 15	—	ns
ALE ↓ → \overline{RD} ↓ time	t _{LLRL}	ALE, \overline{RD}		t _{CP} /2 - 15	—	ns

* : Number of ready cycles



MB90350E Series



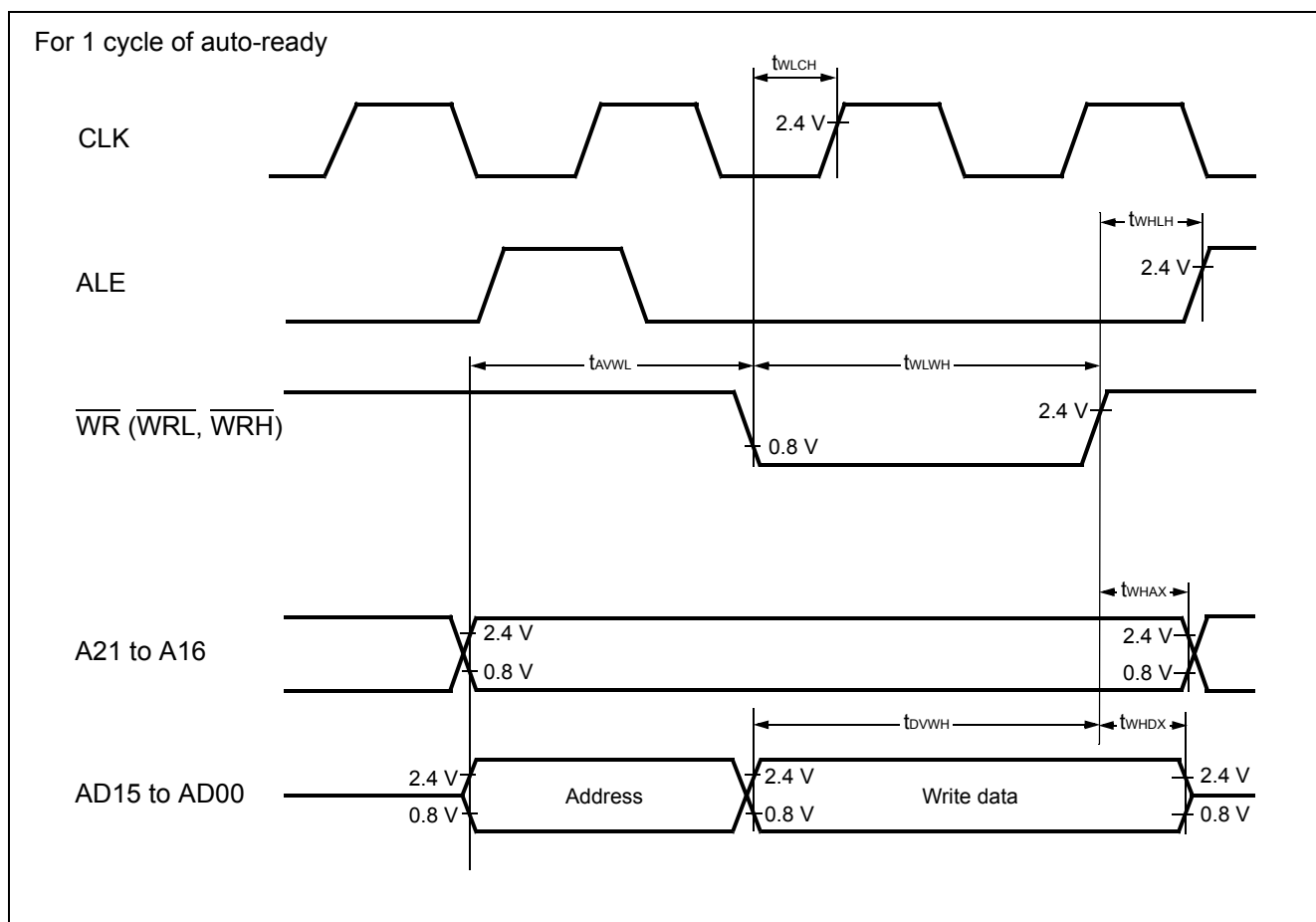


13.4.6 Bus Timing (Write)

(T_A = -40°C to +105°C, V_{CC} = 5.0 V ± 10 %, V_{SS} = 0.0 V, f_{CP} ≤ 24 MHz)

Parameter	Symbol	Pin	Condition	Value		Unit
				Min	Max	
Valid address → \overline{WR} ↓ time	t _{AVWL}	A21 to A16, AD15 to AD00, \overline{WR}	-	t _{CP} -15	-	ns
\overline{WR} pulse width	t _{WLWH}	\overline{WR}		(n*+3/2)t _{CP} - 20	-	ns
Valid data output → \overline{WR} ↑ time	t _{DVWH}	AD15 to AD00, \overline{WR}		(n*+3/2)t _{CP} - 20	-	ns
\overline{WR} ↑ → Data hold time	t _{WHDX}	AD15 to AD00, \overline{WR}		15	-	ns
\overline{WR} ↑ → Address valid time	t _{WHAX}	A21 to A16, \overline{WR}		t _{CP} /2 - 10	-	ns
\overline{WR} ↑ → ALE ↑ time	t _{WHLH}	\overline{WR} , ALE		t _{CP} /2 - 15	-	ns
\overline{WR} ↓ → CLK ↑ time	t _{WLCH}	\overline{WR} , CLK		t _{CP} /2 - 15	-	ns

* : Number of ready cycles



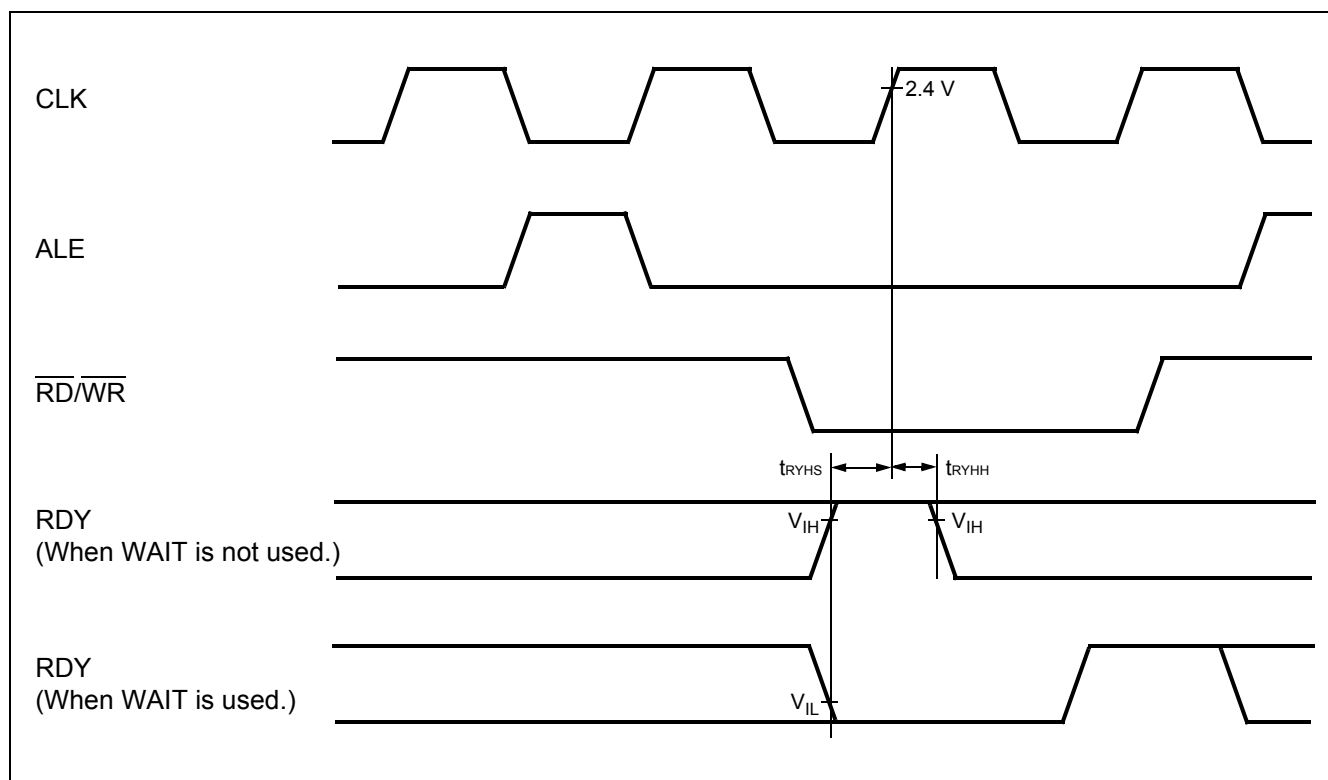


13.4.7 Ready Input Timing

(T_A = -40°C to +105°C, V_{CC} = 5.0 V ± 10 %, V_{SS} = 0.0 V, f_{CP} ≤ 24 MHz)

Parameter	Symbol	Pin	Condition	Value		Units	Remarks
				Min	Max		
RDY set-up time	t _{RYHS}	RDY	—	45	—	ns	f _{CP} = 16 MHz
				32	—	ns	f _{CP} = 24 MHz
RDY hold time	t _{RYHH}	RDY		0	—	ns	

Note : If the RDY set-up time is insufficient, use the auto-ready function.



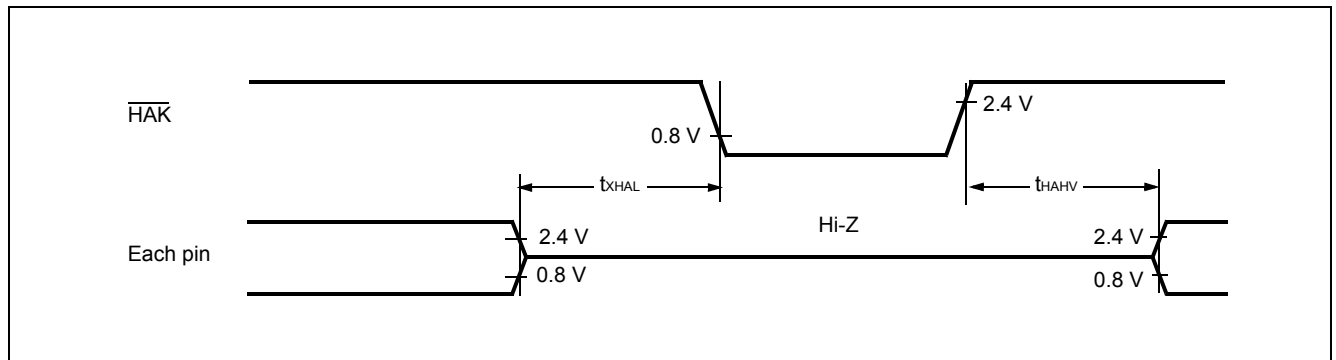


13.4.8 Hold Timing

(T_A = -40°C to +105°C, V_{CC} = 5.0 V ± 10 %, V_{SS} = 0.0 V, f_{CP} ≤ 24 MHz)

Parameter	Symbol	Pin	Condition	Value		Units
				Min	Max	
Pin floating → $\overline{\text{HAK}}$ ↓ time	t _{XHAL}	$\overline{\text{HAK}}$	-	30	t _{CP}	ns
$\overline{\text{HAK}}$ ↑ time → Pin valid time	t _{HAHV}	$\overline{\text{HAK}}$		t _{CP}	2 t _{CP}	ns

Note : There is more than 1 machine cycle from when HRQ pin reads in until the $\overline{\text{HAK}}$ is changed.





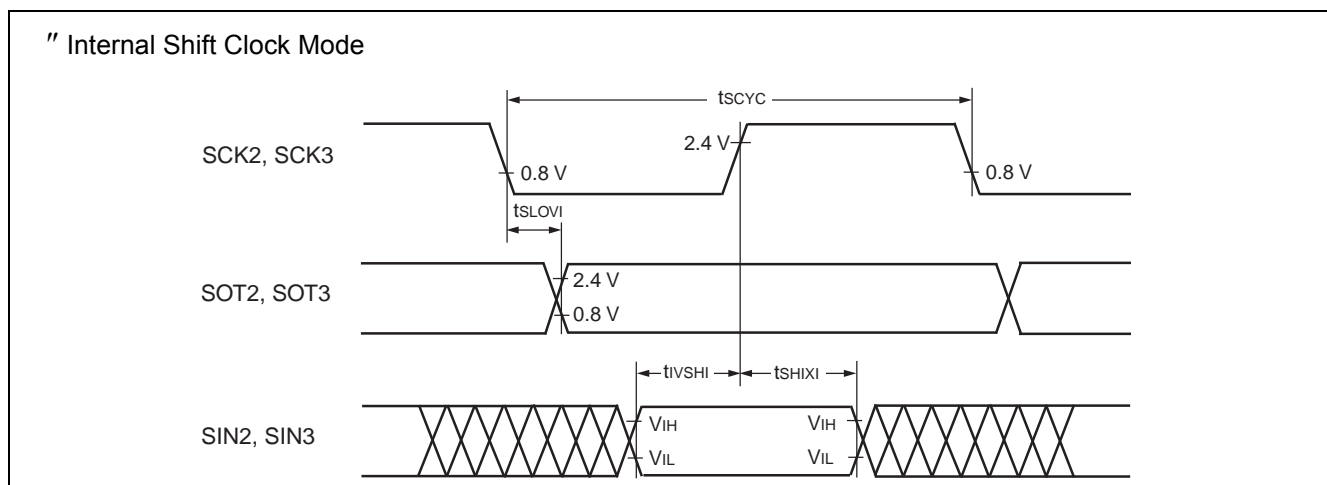
13.4.9 LIN-UART2/3

■ Bit setting: ESCR:SCES = 0, ECCR:SCDE = 0

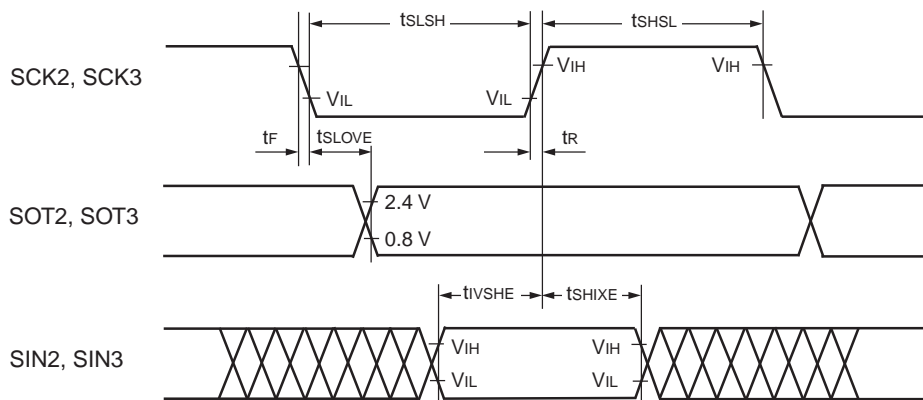
($T_A = -40^{\circ}\text{C}$ to $+125^{\circ}\text{C}$, $V_{CC} = 5.0\text{ V} \pm 10\%$, $f_{CP} \leq 24\text{ MHz}$, $V_{SS} = 0\text{ V}$)

Parameter	Symbol	Pin	Condition	Value		Unit
				Min	Max	
Serial clock cycle time	t_{SCYC}	SCK2, SCK3	Internal shift clock mode output pins are $CL = 80\text{ pF} + 1\text{ TTL}$.	$5 t_{CP}$	—	ns
SCK $\downarrow \rightarrow$ SOT delay time	t_{SLOVI}	SCK2, SCK3 SOT2, SOT3		-50	+50	ns
Valid SIN \rightarrow SCK \uparrow	t_{IVSHI}	SCK2, SCK3 SIN2, SIN3		$t_{CP} + 80$	—	ns
SCK $\uparrow \rightarrow$ Valid SIN hold time	t_{SHIXI}	SCK2, SCK3 SIN2, SIN3		0	—	ns
Serial clock "L" pulse width	t_{SHSL}	SCK2, SCK3	External shift clock mode output pins are $CL = 80\text{ pF} + 1\text{ TTL}$.	$3 t_{CP} - t_R$	—	ns
Serial clock "H" pulse width	t_{SLSH}	SCK2, SCK3		$t_{CP} + 10$	—	ns
SCK $\downarrow \rightarrow$ SOT delay time	t_{SLOVE}	SCK2, SCK3 SOT2, SOT3		—	$2 t_{CP} + 60$	ns
Valid SIN \rightarrow SCK \uparrow	t_{IVSHE}	SCK2, SCK3 SIN2, SIN3		30	—	ns
SCK $\uparrow \rightarrow$ Valid SIN hold time	t_{SHIXE}	SCK2, SCK3 SIN2, SIN3		$t_{CP} + 30$	—	ns
SCK fall time	t_F	SCK2, SCK3		—	10	ns
SCK rise time	t_R	SCK2, SCK3		—	10	ns

- Notes :
- AC characteristic in CLK synchronized mode.
 - C_L is load capacity value of pins when testing.
 - t_{CP} is internal operating clock cycle time (machine clock) . Refer to "Clock Timing".



● External Shift Clock Mode



■ Bit setting: ESCR:SCES = 1, ECCR:SCDE = 0

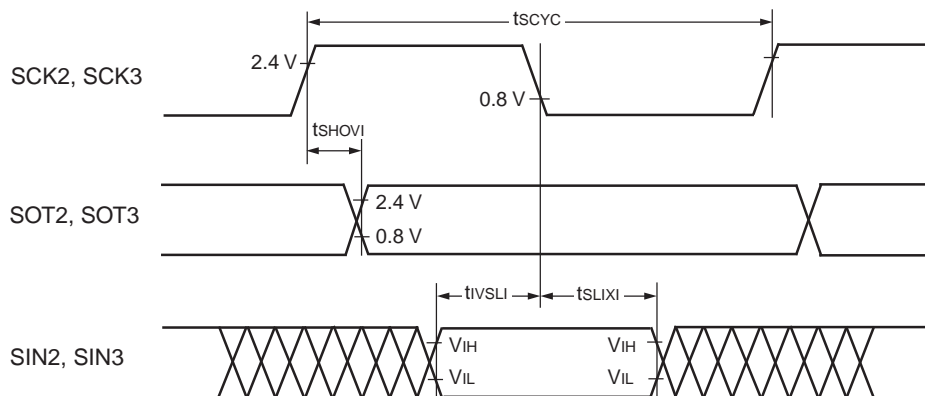
($T_A = -40^{\circ}\text{C}$ to $+125^{\circ}\text{C}$, $V_{CC} = 5.0\text{ V} \pm 10\%$, $f_{CP} \leq 24\text{ MHz}$, $V_{SS} = 0\text{ V}$)

Parameter	Symbol	Pin	Condition	Value		Unit
				Min	Max	
Serial clock cycle time	t_{SCYC}	SCK2, SCK3	Internal shift clock mode output pins are $CL = 80\text{ pF} + 1\text{ TTL}$.	$5 t_{CP}$	–	ns
SCK \uparrow \rightarrow SOT delay time	t_{SHOVI}	SCK2, SCK3 SOT2, SOT3		–50	+50	ns
Valid SIN \rightarrow SCK \downarrow	t_{IVSLI}	SCK2, SCK3 SIN2, SIN3		$t_{CP} + 80$	–	ns
SCK \downarrow \rightarrow Valid SIN hold time	t_{SLIXI}	SCK2, SCK3 SIN2, SIN3		0	–	ns
Serial clock “H” pulse width	t_{SHSL}	SCK2, SCK3	External shift clock mode output pins are $CL = 80\text{ pF} + 1\text{ TTL}$.	$3 t_{CP} - t_R$	–	ns
Serial clock “L” pulse width	t_{SLSH}	SCK2, SCK3		$t_{CP} + 10$	–	ns
SCK \uparrow \rightarrow SOT delay time	t_{SHOVE}	SCK2, SCK3 SOT2, SOT3		–	$2 t_{CP} + 60$	ns
Valid SIN \rightarrow SCK \downarrow	t_{IVSLE}	SCK2, SCK3 SIN2, SIN3		30	–	ns
SCK \downarrow \rightarrow Valid SIN hold time	t_{SLIXE}	SCK2, SCK3 SIN2, SIN3		$t_{CP} + 30$	–	ns
SCK fall time	t_F	SCK2, SCK3		–	10	ns
SCK rise time	t_R	SCK2, SCK3		–	10	ns

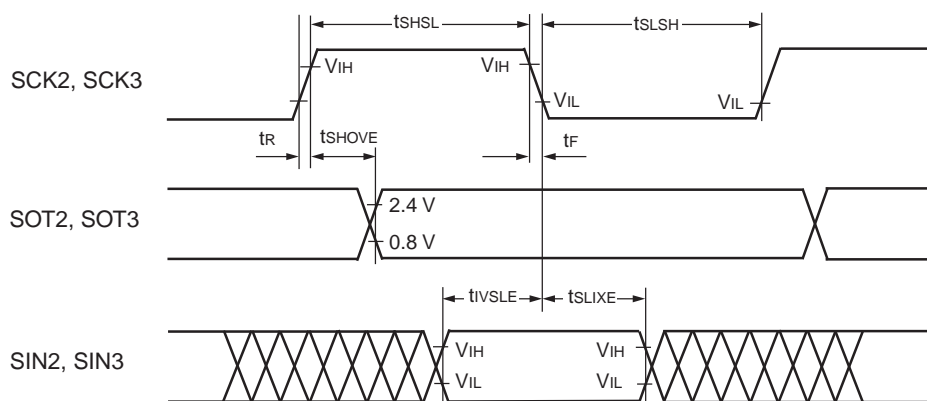
Notes : • C_L is load capacity value of pins when testing.

• t_{CP} is internal operating clock cycle time (machine clock) . Refer to “Clock Timing”.

- Internal Shift Clock Mode



- External Shift Clock Mode



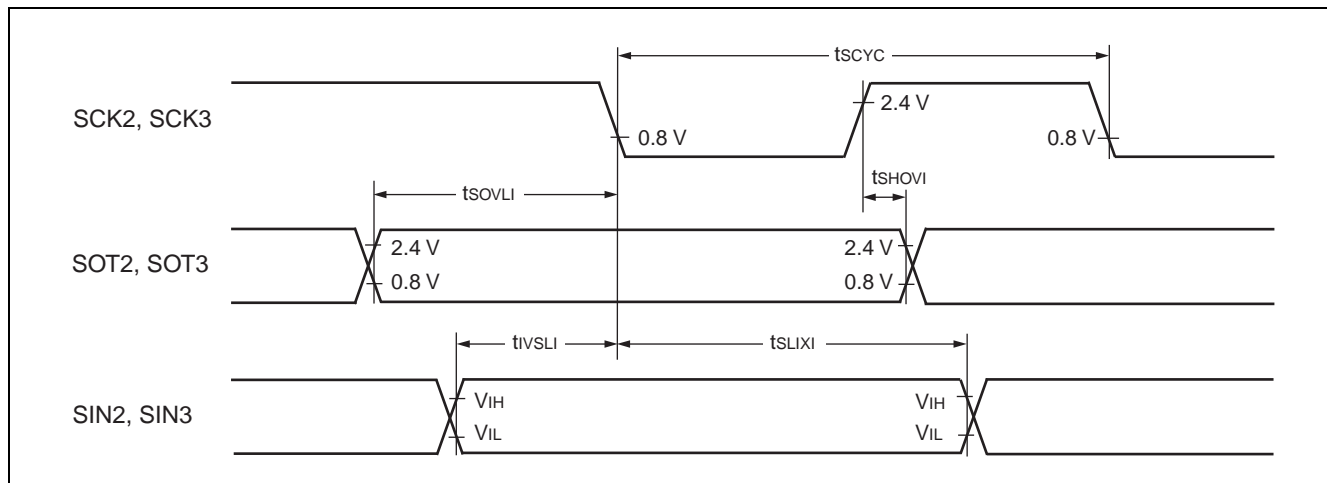
■ Bit setting: ESCR:SCES = 0, ECCR:SCDE = 1

($T_A = -40^\circ\text{C}$ to $+125^\circ\text{C}$, $V_{CC} = 5.0\text{ V} \pm 10\%$, $f_{CP} \leq 24\text{ MHz}$, $V_{SS} = 0\text{ V}$)

Parameter	Symbol	Pin	Condition	Value		Unit
				Min	Max	
Serial clock cycle time	t_{SCYC}	SCK2, SCK3	Internal clock operation output pins are $CL = 80\text{ pF} + 1\text{ TTL}$.	$5 t_{CP}$	—	ns
SCK \uparrow \rightarrow SOT delay time	t_{SHOVI}	SCK2, SCK3 SOT2, SOT3		-50	+50	ns
Valid SIN \rightarrow SCK \downarrow	t_{IVSLI}	SCK2, SCK3 SIN2, SIN3		$t_{CP} + 80$	—	ns
SCK \downarrow \rightarrow Valid SIN hold time	t_{SLIXI}	SCK2, SCK3 SIN2, SIN3		0	—	ns
SOT \rightarrow SCK \downarrow delay time	t_{SOVLI}	SCK2, SCK3 SOT2, SOT3		$3 t_{CP} - 70$	—	ns

Notes : • C_L is load capacity value of pins when testing.

• t_{CP} is internal operating clock cycle time (machine clock) . Refer to "Clock Timing".



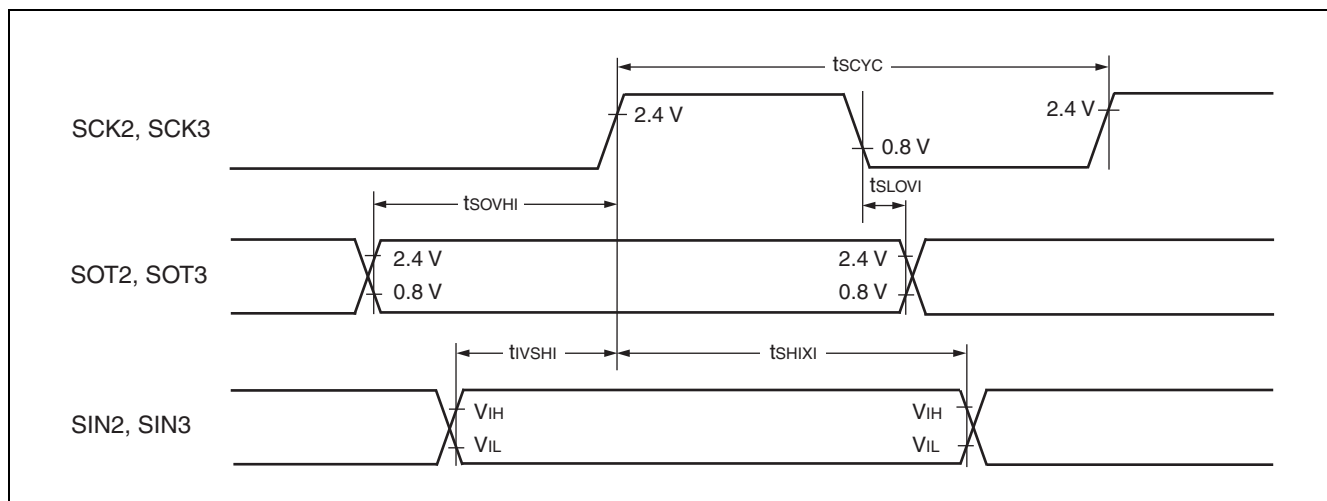
■ Bit setting: ESCR:SCES = 1, ECCR:SCDE = 1

($T_A = -40^{\circ}\text{C}$ to $+125^{\circ}\text{C}$, $V_{CC} = 5.0\text{ V} \pm 10\%$, $f_{CP} \leq 24\text{ MHz}$, $V_{SS} = 0\text{ V}$)

Parameter	Symbol	Pin	Condition	Value		Unit
				Min	Max	
Serial clock cycle time	t_{SCYC}	SCK2, SCK3	Internal clock operation output pins are $CL = 80\text{ pF} + 1\text{ TTL}$.	$5 t_{CP}$	—	ns
SCK $\downarrow \rightarrow$ SOT delay time	t_{SLOVI}	SCK2, SCK3 SOT2, SOT3		-50	+50	ns
Valid SIN \rightarrow SCK \uparrow	t_{IVSHI}	SCK2, SCK3 SIN2, SIN3		$t_{CP} + 80$	—	ns
SCK $\uparrow \rightarrow$ Valid SIN hold time	t_{SHIXI}	SCK2, SCK3 SIN2, SIN3		0	—	ns
SOT \rightarrow SCK \uparrow delay time	t_{SOVHI}	SCK2, SCK3 SOT2, SOT3		$3 t_{CP} - 70$	—	ns

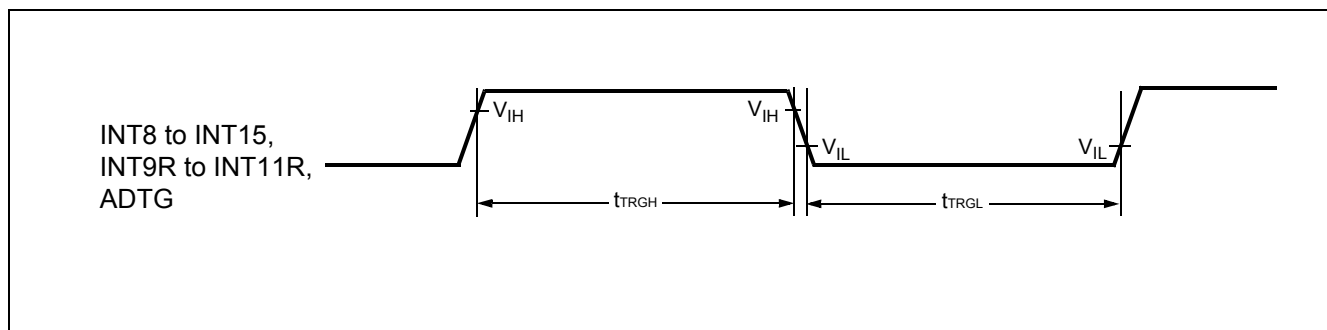
Notes : • C_L is load capacity value of pins when testing.

• t_{CP} is internal operating clock cycle time (machine clock) . Refer to "Clock Timing".

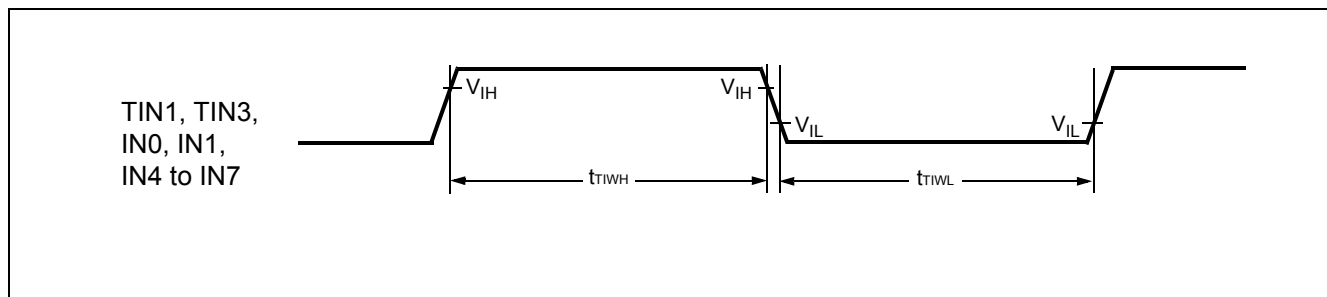


13.4.10 Trigger Input Timing $(T_A = -40^{\circ}\text{C to } +125^{\circ}\text{C}, V_{CC} = 5.0\text{ V} \pm 10\%, f_{CP} \leq 24\text{ MHz}, V_{SS} = AV_{SS} = 0\text{ V})$

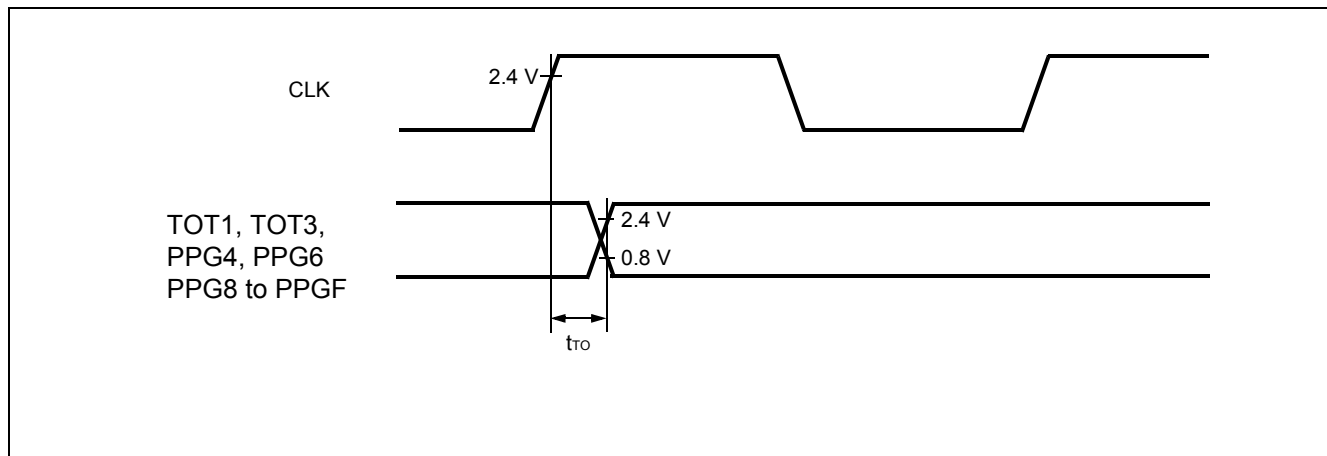
Parameter	Symbol	Pin	Condition	Value		Unit
				Min	Max	
Input pulse width	t_{TRGH} t_{TRGL}	INT8 to INT15, INT9R to INT11R, ADTG	—	$5 t_{CP}$	—	ns

**13.4.11 Timer Related Resource Input Timing** $(T_A = -40^{\circ}\text{C to } +125^{\circ}\text{C}, V_{CC} = 5.0\text{ V} \pm 10\%, f_{CP} \leq 24\text{ MHz}, V_{SS} = AV_{SS} = 0\text{ V})$

Parameter	Symbol	Pin	Condition	Value		Unit
				Min	Max	
Input pulse width	t_{TIWH} t_{TIWL}	TIN1, TIN3, IN0, IN1, IN4 to IN7	—	$4 t_{CP}$	—	ns

**13.4.12 Timer Related Resource Output Timing** $(T_A = -40^{\circ}\text{C to } +125^{\circ}\text{C}, V_{CC} = 5.0\text{ V} \pm 10\%, f_{CP} \leq 24\text{ MHz}, V_{SS} = AV_{SS} = 0\text{ V})$

Parameter	Symbol	Pin	Condition	Value		Unit
				Min	Max	
CLK \uparrow \rightarrow T _{OUT} change time	t_{TO}	TOT1, TOT3, PPG4, PPG6, PPG8 to PPGF	—	30	—	ns

13.4.13 I²C Timing

($T_A = -40^\circ\text{C}$ to $+125^\circ\text{C}$, $V_{CC} = AV_{CC} = 5.0\text{ V} \pm 10\%$, $f_{CP} \leq 24\text{ MHz}$, $V_{SS} = AV_{SS} = 0\text{ V}$)

Parameter	Symbol	Condition	Standard-mode		Fast-mode*4		Unit
			Min	Max	Min	Max	
SCL clock frequency	f_{SCL}	R = 1.7 k Ω , C = 50 pF*1	0	100	0	400	kHz
Hold time for (repeated) START condition SDA $\downarrow \rightarrow$ SCL \downarrow	t_{HDSTA}		4.0	—	0.6	—	μs
"L" width of the SCL clock	t_{LOW}		4.7	—	1.3	—	μs
"H" width of the SCL clock	t_{HIGH}		4.0	—	0.6	—	μs
Set-up time for a repeated START condition SCL $\uparrow \rightarrow$ SDA \downarrow	t_{SUSTA}		4.7	—	0.6	—	μs
Data hold time SCL $\downarrow \rightarrow$ SDA $\downarrow \uparrow$	t_{HDDAT}		0	3.45*2	0	0.9*3	μs
Data set-up time SDA $\downarrow \uparrow \rightarrow$ SCL \uparrow	t_{SUDAT}		250*5	—	100*5	—	ns
Set-up time for STOP condition SCL $\uparrow \rightarrow$ SDA \uparrow	t_{SUSTO}		4.0	—	0.6	—	μs
Bus free time between STOP condition and START condition	t_{BUS}		4.7	—	1.3	—	μs

*1: R, C : Pull-up resistor and load capacitor of the SCL and SDA lines.

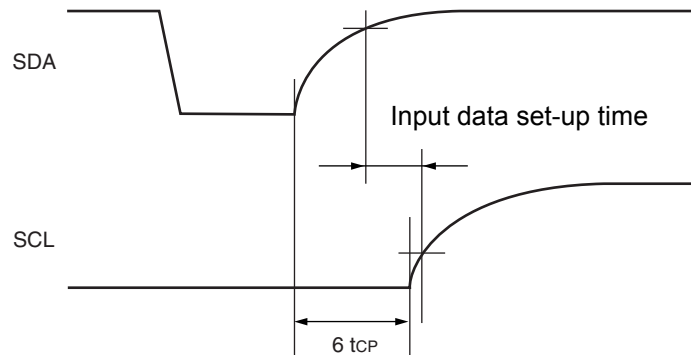
*2: The maximum t_{HDDAT} has to meet at least that the device does not exceed the "L" width (t_{LOW}) of the SCL signal.

*3: A Fast-mode I²C -bus device can be used in a Standard-mode I²C-bus system, but the requirement $t_{SUDAT} \geq 250\text{ ns}$ must be met.

*4: For use at over 100 kHz, set the machine clock to at least 6 MHz.

*5: Refer to "• Note of SDA, SCL set-up time".

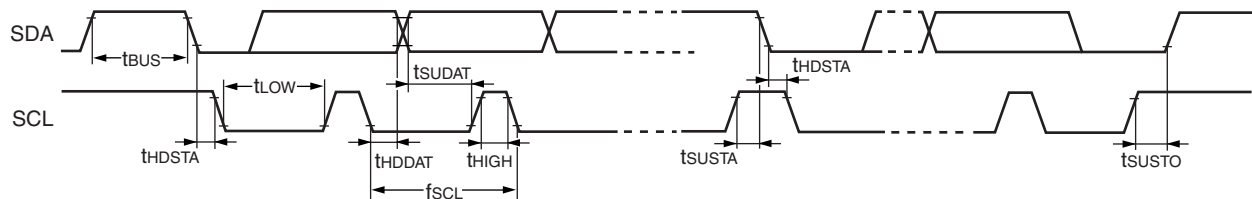
- Note of SDA, SCL set-up time



Note : The rating of the input data set-up time in the device connected to the bus cannot be satisfied depending on the load capacitance or pull-up resistor.

Be sure to adjust the pull-up resistor of SDA and SCL if the rating of the input data set-up time cannot be satisfied.

- Timing definition





13.5 A/D Converter

($T_A = -40^\circ\text{C}$ to $+125^\circ\text{C}$, $3.0\text{ V} \leq \text{AVRH}$, $V_{CC} = \text{AV}_{CC} = 5.0\text{ V} \pm 10\%$, $f_{CP} \leq 24\text{ MHz}$, $V_{SS} = \text{AV}_{SS} = 0\text{ V}$)

Parameter	Symbol	Pin	Value			Unit	Remarks
			Min	Typ	Max		
Resolution	—	—	—	—	10	bit	
Total error	—	—	—	—	± 3.0	LSB	
Nonlinearity error	—	—	—	—	± 2.5	LSB	
Differential nonlinearity error	—	—	—	—	± 1.9	LSB	
Zero reading voltage	V_{OT}	AN0 to AN14	$\text{AV}_{SS} - 1.5 \times \text{LSB}$	$\text{AV}_{SS} + 0.5 \times \text{LSB}$	$\text{AV}_{SS} + 2.5 \times \text{LSB}$	V	
Full scale reading voltage	V_{FST}	AN0 to AN14	$\text{AVRH} - 3.5 \times \text{LSB}$	$\text{AVRH} - 1.5 \times \text{LSB}$	$\text{AVRH} + 0.5 \times \text{LSB}$	V	
Compare time	—	—	1.0	—	16500	μs	$4.5\text{ V} \leq \text{AV}_{CC} \leq 5.5\text{ V}$
			2.0				$4.0\text{ V} \leq \text{AV}_{CC} < 4.5\text{ V}$
Sampling time	—	—	0.5	—	×	μs	$4.5\text{ V} \leq \text{AV}_{CC} \leq 5.5\text{ V}$
			1.2				$4.0\text{ V} \leq \text{AV}_{CC} < 4.5\text{ V}$
Analog port input current	I_{AIN}	AN0 to AN14	-0.3	—	+0.3	μA	
Analog input voltage range	V_{AIN}	AN0 to AN14	AV_{SS}	—	AVRH	V	
Reference voltage range	—	AVRH	$\text{AV}_{SS} + 2.7$	—	AV_{CC}	V	
Power supply current	I_A	AV_{CC}	—	3.5	7.5	mA	
	I_{AH}	AV_{CC}	—	—	5	μA	*
Reference voltage supply current	I_R	AVRH	—	600	900	μA	
	I_{RH}	AVRH	—	—	5	μA	*
Offset between channels	—	AN0 to AN14	—	—	4	LSB	

* : If A/D converter is not operating, a current when CPU is stopped is applicable ($V_{CC} = \text{AV}_{CC} = \text{AVRH} = 5.0\text{ V}$).

Notes on A/D Converter Section

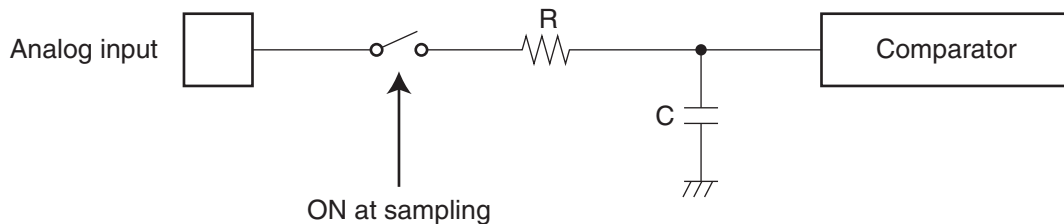
■ About the external impedance of the analog input and its sampling time

A/D converter with sample and hold circuit. If the external impedance is too high to keep sufficient sampling time, the analog voltage charged to the internal sample and hold capacitor is insufficient, adversely affecting

A/D conversion precision. Therefore to satisfy the A/D conversion precision standard, consider the relationship between the external impedance and minimum sampling time and either adjust the register value and operating frequency or decrease the external impedance so that the sampling time is longer than the minimum value. Also if the sampling time cannot be sufficient, connect a capacitor of about 0.1 μF to the analog input pin.



· Analog input equivalence circuit



MB90F351E(S),MB90F351TE(S),MB90F352E(S),MB90F352TE(S),
MB90F356E(S),MB90F356TE(S),MB90F357E(S),MB90F357TE(S)

	R	C
$4.5\text{ V} \leq AV_{CC} \leq 5.5\text{ V}$	2.0 kΩ (Max)	16.0 pF (Max)
$4.0\text{ V} \leq AV_{CC} \leq 4.5\text{ V}$	8.2 kΩ (Max)	16.0 pF (Max)

MB90351E(S),MB90351TE(S),MB90352E(S),MB90352TE(S),
MB90356E(S),MB90356TE(S),MB90357E(S),MB90357TE(S),
MB90V340E-101/102/103/104

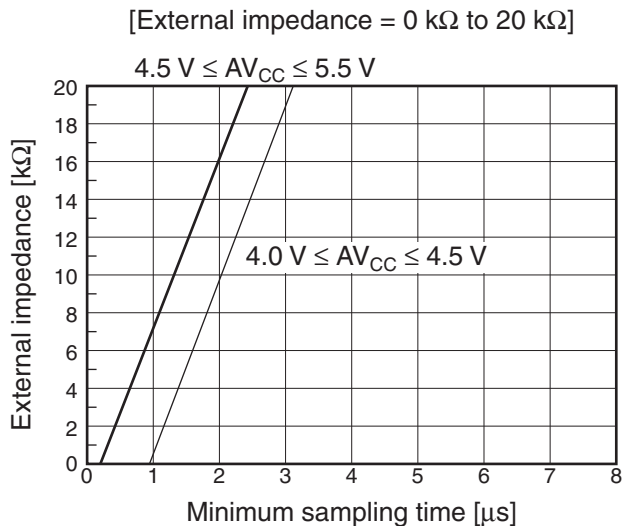
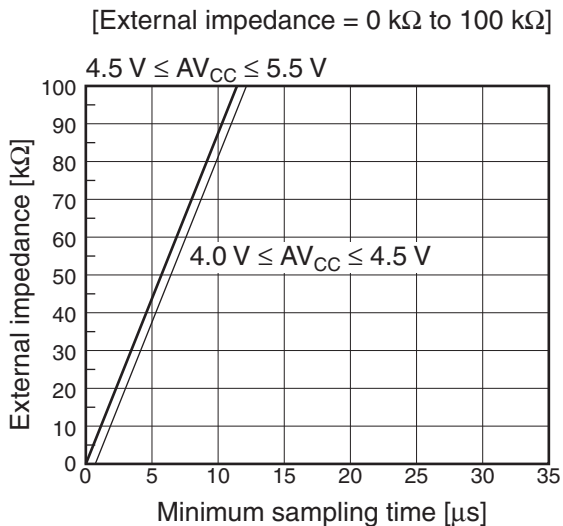
	R	C
$4.5\text{ V} \leq AV_{CC} \leq 5.5\text{ V}$	2.0 kΩ (Max)	14.4 pF (Max)
$4.0\text{ V} \leq AV_{CC} \leq 4.5\text{ V}$	8.2 kΩ (Max)	14.4 pF (Max)

Note : The value is reference value.

■ Flash memory device

· Relation between External impedance and minimum sampling time

(MB90F351E(S),MB90F351TE(S),MB90F352E(S),MB90F352TE(S),
MB90F356E(S),MB90F356TE(S),MB90F357E(S),MB90F357TE(S))

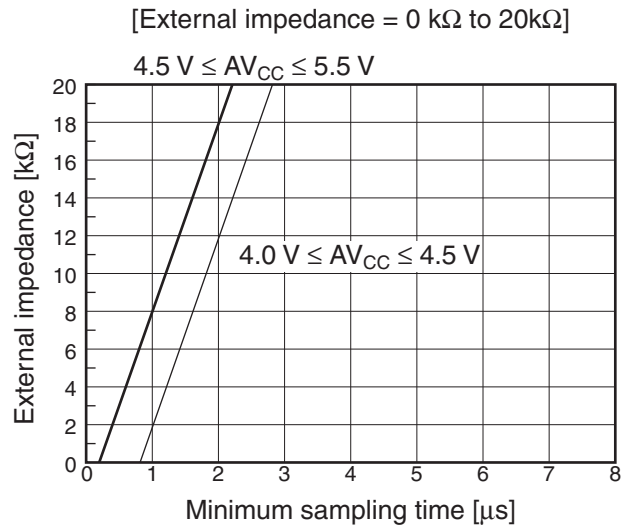
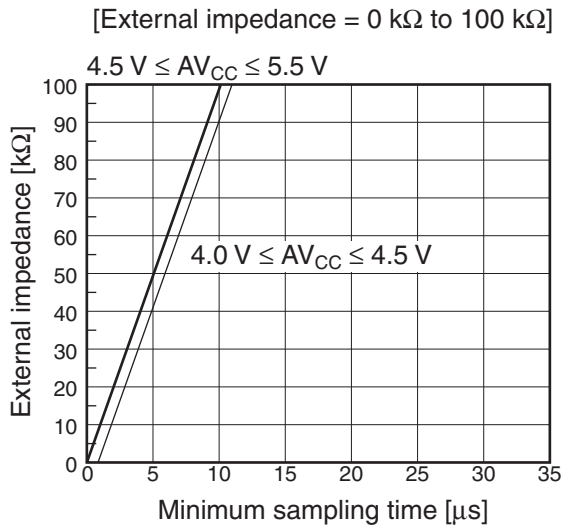




■ MASK ROM device

· Relation between External impedance and minimum sampling time

(MB90351E(S),MB90351TE(S),MB90352E(S),MB90352TE(S),MB90356E(S),
MB90356TE(S),MB90357E(S),MB90357TE(S),MB90V340E-101/102/103/104)



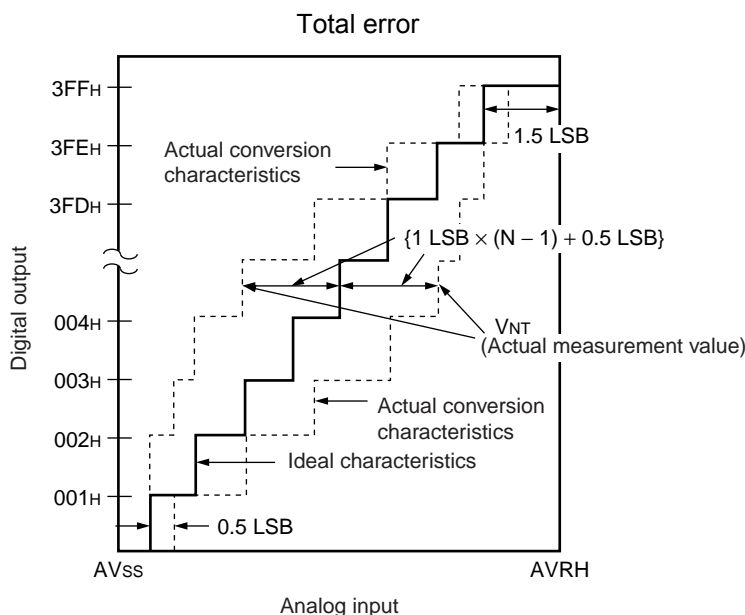
■ About the error

Values of relative errors grow larger, as $|AV_{RH} - AV_{SS}|$ becomes smaller.



13.6 Definition of A/D Converter Terms

- Resolution : Analog variation that is recognized by an A/D converter.
- Non linearity error : Deviation between a line across zero-transition line ("00 0000 0000" ← → "00 0000 0001") and full-scale transition line ("11 1111 1110" ← → "11 1111 1111") and actual conversion characteristics.
- Differential linearity error : Deviation of input voltage, which is required for changing output code by 1 LSB, from an ideal value.
- Total error : Difference between an actual value and a theoretical value. A total error includes zero transition error, full-scale transition error, and linear error.



$$\text{Total error of digital output "N"} = \frac{V_{NT} - \{1 \text{ LSB} \times (N - 1) + 0.5 \text{ LSB}\}}{1 \text{ LSB}} \text{ [LSB]}$$

$$1 \text{ LSB (Ideal value)} = \frac{AVRH - AVSS}{1024} \text{ [V]}$$

N : A/D converter digital output value

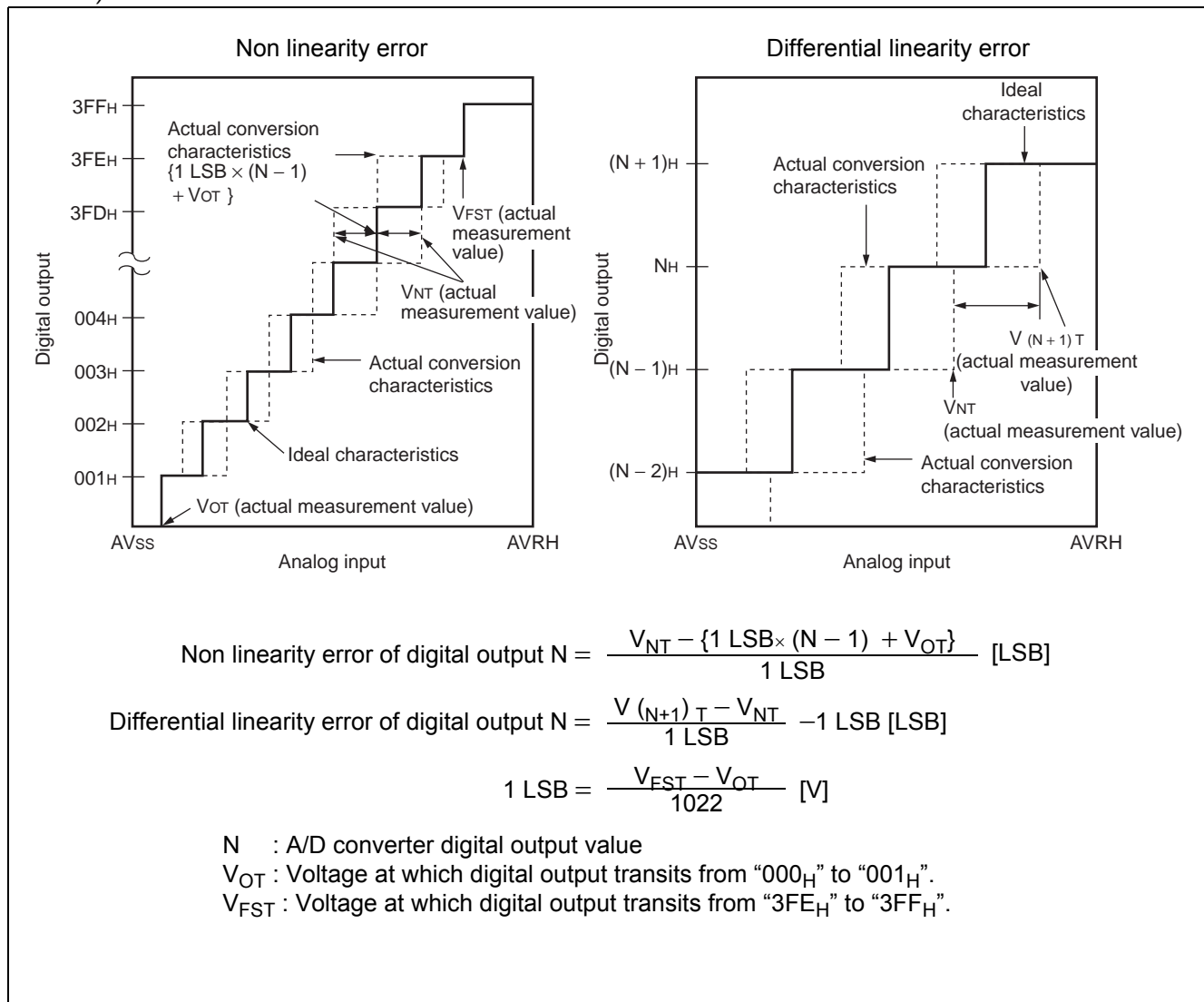
V_{OT} (Ideal value) = $AV_{SS} + 0.5 \text{ LSB}$ [V]

V_{FST} (Ideal value) = $AVRH - 1.5 \text{ LSB}$ [V]

V_{NT} : A voltage at which digital output transits from $(N - 1)_H$ to N_H .

(Continued)

(Continued)



13.7 Flash Memory Program/Erase Characteristics

■ Dual Operation Flash Memory

Parameter	Conditions	Value			Unit	Remarks
		Min	Typ	Max		
Sector erase time (4 Kbytes sector)	T _A = +25°C V _{CC} = 5.0 V	—	0.2	0.5	s	Excludes programming prior to erasure
Sector erase time (16 Kbytes sector)		—	0.5	7.5	s	Excludes programming prior to erasure
Chip erase time		—	4.6	—	s	Excludes programming prior to erasure
Word (16-bit width) programming time		—	64	3600	μs	Except for the overhead time of the system level
Program/Erase cycle	—	10000	—	—	cycle	



MB90350E Series

Parameter	Conditions	Value			Unit	Remarks
		Min	Typ	Max		
Flash memory Data Retention Time	Average $T_A = +85^\circ\text{C}$	20	—	—	year	*

* : Corresponding value comes from the technology reliability evaluation result.

(Using Arrhenius equation to translate high temperature measurements test result into normalized value at +85°C)

14. Ordering Information

Part number	Package	Remarks
MB90F351EPMC	64-pin plastic LQFP FPT-64P-M23 12.0 mm □, 0.65 mm pitch	Flash memory products (64 Kbytes)
MB90F351ESPMC		
MB90F351TEPMC		
MB90F351TESPMC		
MB90F356EPMC		
MB90F356ESPMC		
MB90F356TEPMC		
MB90F356TESPMC		
MB90F352EPMC	64-pin plastic LQFP FPT-64P-M23 12.0 mm □, 0.65 mm pitch	Dual operation Flash memory products (128 Kbytes)
MB90F352ESPMC		
MB90F352TEPMC		
MB90F352TESPMC		
MB90F357EPMC		
MB90F357ESPMC		
MB90F357TEPMC		
MB90F357TESPMC		
MB90351EPMC	64-pin plastic LQFP FPT-64P-M23 12.0 mm □, 0.65 mm pitch	MASK ROM products (64 Kbytes)
MB90351ESPMC		
MB90351TEPMC		
MB90351TESPMC		
MB90356EPMC		
MB90356ESPMC		
MB90356TEPMC		
MB90356TESPMC		
MB90352EPMC	64-pin plastic LQFP FPT-64P-M23 12.0 mm □, 0.65 mm pitch	MASK ROM products (128 Kbytes)
MB90352ESPMC		
MB90352TEPMC		
MB90352TESPMC		
MB90357EPMC		
MB90357ESPMC		
MB90357TEPMC		
MB90357TESPMC		

(Continued)



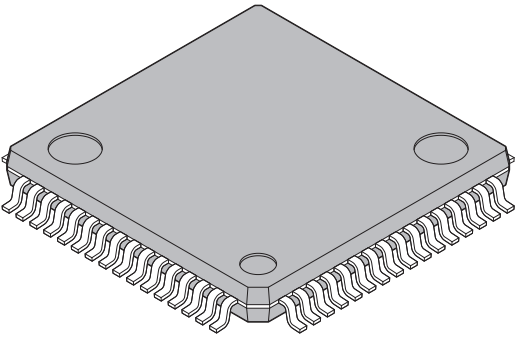
MB90350E Series

(Continued)

Part number	Package	Remarks
MB90F351EPMC1	64-pin plastic LQFP FPT-64P-M24 10.0 mm □, 0.50 mm pitch	Flash memory products (64 Kbytes)
MB90F351ESPMC1		
MB90F351TEPMC1		
MB90F351TESPMC1		
MB90F356EPMC1		
MB90F356ESPMC1		
MB90F356TEPMC1		
MB90F356TESPMC1		
MB90F352EPMC1	64-pin plastic LQFP FPT-64P-M24 10.0 mm □, 0.50 mm pitch	Dual operation Flash memory products (128 Kbytes)
MB90F352ESPMC1		
MB90F352TEPMC1		
MB90F352TESPMC1		
MB90F357EPMC1		
MB90F357ESPMC1		
MB90F357TEPMC1		
MB90F357TESPMC1		
MB90351EPMC1	64-pin plastic LQFP FPT-64P-M24 10.0 mm □, 0.50 mm pitch	MASK ROM products (64 Kbytes)
MB90351ESPMC1		
MB90351TEPMC1		
MB90351TESPMC1		
MB90356EPMC1		
MB90356ESPMC1		
MB90356TEPMC1		
MB90356TESPMC1		
MB90352EPMC1	64-pin plastic LQFP FPT-64P-M24 10.0 mm □, 0.50 mm pitch	MASK ROM products (128 Kbytes)
MB90352ESPMC1		
MB90352TEPMC1		
MB90352TESPMC1		
MB90357EPMC1		
MB90357ESPMC1		
MB90357TEPMC1		
MB90357TESPMC1		
MB90V340E-101CR	299-pin ceramic PGA PGA-299C-A01	Device for evaluation
MB90V340E-102CR		
MB90V340E-103CR		
MB90V340E-104CR		

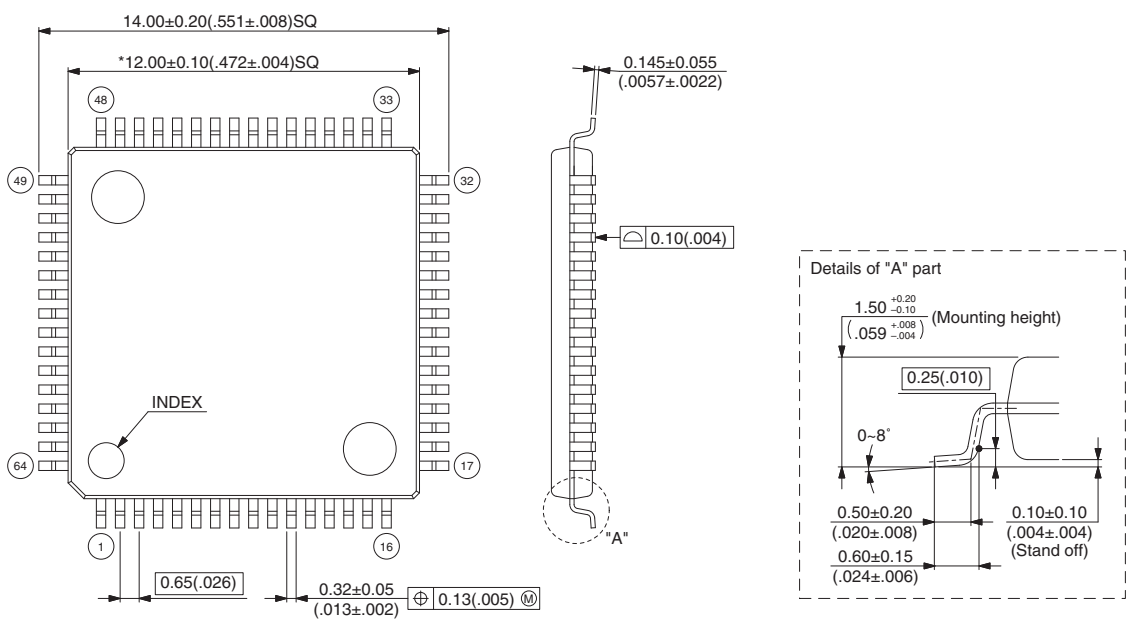


14.1 Package Dimensions

<p>64-pin plastic LQFP</p>  <p>(FPT-64P-M23)</p>	Lead pitch	0.65 mm	
	Package width × package length	12.0 × 12.0 mm	
	Lead shape	Gullwing	
	Sealing method	Plastic mold	
	Mounting height	1.70 mm MAX	
	Code (Reference)	P-LFQFP64-12×12-0.65	

64-pin plastic LQFP (FPT-64P-M23)

Note 1) * : These dimensions do not include resin protrusion.
 Note 2) Pins width and pins thickness include plating thickness.
 Note 3) Pins width do not include tie bar cutting remainder.



Top view dimensions:
 Overall width: 14.00±0.20(.551±.008)SQ
 Pin pitch: 0.65(.026)
 Pin width: 0.32±0.05(.013±.002)
 Pin thickness: 0.13(.005) M

Side view dimensions:
 Lead height: 0.145±0.055(.0057±.0022)
 Lead thickness: 0.10(.004)

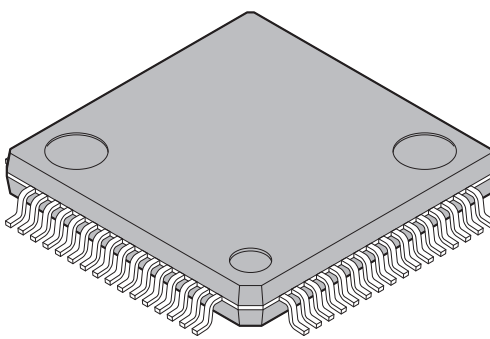
Details of "A" part:
 Mounting height: 1.50^{+0.20}/_{-.10} (.059^{+.008}/_{-.004})
 Lead thickness: 0.25(.010)
 Lead angle: 0-8°
 Stand off: 0.10±0.10(.004±.004)
 Pin width: 0.50±0.20(.020±.008)
 Pin thickness: 0.60±0.15(.024±.006)

©2003-2008 FUJITSU MICROELECTRONICS LIMITED F64034S-c-1-2

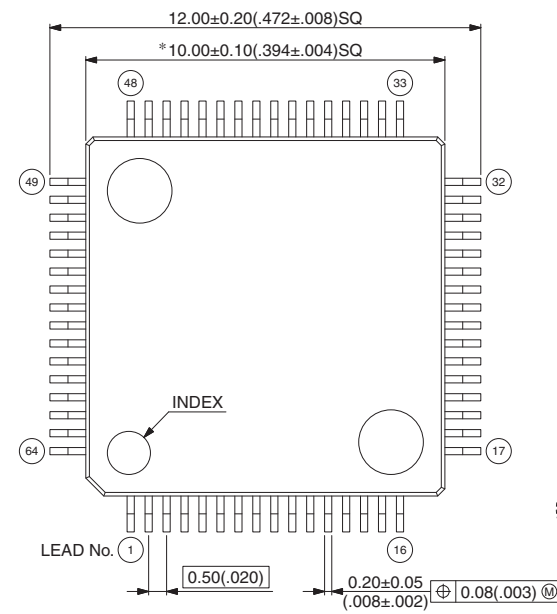
Dimensions in mm (inches).
 Note: The values in parentheses are reference values

(Continued)

(Continued)

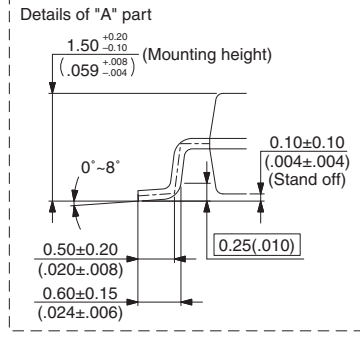
<p style="text-align: center;">64-pin plastic LQFP</p>  <p style="text-align: center;">(FPT-64P-M24)</p>	Lead pitch	0.50 mm
	Package width × package length	10.0 × 10.0 mm
	Lead shape	Gullwing
	Sealing method	Plastic mold
	Mounting height	1.70 mm MAX
	Weight	0.32 g
	Code (Reference)	P-LFQFP64-10×10-0.50

64-pin plastic LQFP
(FPT-64P-M24)



Note 1) * : These dimensions do not include resin protrusion.
 Note 2) Pins width and pins thickness include plating thickness.
 Note 3) Pins width do not include tie bar cutting remainder.

Details of "A" part



Dimensions in mm (inches).
 Note: The values in parentheses are reference values

©2005-2008 FUJITSU MICROELECTRONICS LIMITED F64036S-c-1-2



15. Major Changes

Page	Section	Change Results
—	—	The following names are changed. UART → LIN-UART 16-bit I/O timer → 16-bit free-run timer
26	Handling Devices	Added the section "13. Serial Communication".
51	Electrical Characteristics Absolute Maximum Ratings	Changed the maximum value of power consumption.
63	Electrical Characteristics AC Characteristics	Changed the "(4) Clock Output Timing". Changed the Minimum value of cycle time. (41.76 → 41.67)
69 to 73		Changed the notation of "(9) LIN-UART".
78	A/D Converter	Changed the notation of "Zero reading voltage" and "full scale reading voltage".
85	Ordering Information	Changed the part number; MB90V340E-101 → MB90V340E-101CR MB90V340E-102 → MB90V340E-102CR MB90V340E-103 → MB90V340E-103CR MB90V340E-104 → MB90V340E-104CR

NOTE: Please see "Document History" about later revised information.

Document History

Document Title: MB90350E Series F ² MC-16LX 16-bit Microcontrollers				
Document Number: 002-04493				
Revision	ECN	Orig. of Change	Submission Date	Description of Change
**	—	AKIH	10/12/2006	Migrated to Cypress and assigned document number 002-04993. No change to document contents or format.
*A	5193077	AKIH	04/07/2016	Updated to Cypress template



Sales, Solutions, and Legal Information

Worldwide Sales and Design Support

Cypress maintains a worldwide network of offices, solution centers, manufacturer's representatives, and distributors. To find the office closest to you, visit us at [Cypress Locations](#).

Products

ARM® Cortex® Microcontrollers	cypress.com/arm
Automotive	cypress.com/automotive
Clocks & Buffers	cypress.com/clocks
Interface	cypress.com/interface
Lighting & Power Control	cypress.com/powerpsoc
Memory	cypress.com/memory
PSoC	cypress.com/psoc
Touch Sensing	cypress.com/touch
USB Controllers	cypress.com/usb
Wireless/RF	cypress.com/wireless

PSoC® Solutions

cypress.com/psoc
 PSoC 1 | PSoC 3 | PSoC 4 | PSoC 5LP

Cypress Developer Community

[Community](#) | [Forums](#) | [Blogs](#) | [Video](#) | [Training](#)

Technical Support

cypress.com/support

© Cypress Semiconductor Corporation, 2006-2016. This document is the property of Cypress Semiconductor Corporation and its subsidiaries, including Spansion LLC ("Cypress"). This document, including any software or firmware included or referenced in this document ("Software"), is owned by Cypress under the intellectual property laws and treaties of the United States and other countries worldwide. Cypress reserves all rights under such laws and treaties and does not, except as specifically stated in this paragraph, grant any license under its patents, copyrights, trademarks, or other intellectual property rights. If the Software is not accompanied by a license agreement and you do not otherwise have a written agreement with Cypress governing the use of the Software, then Cypress hereby grants you a personal, non-exclusive, nontransferable license (without the right to sublicense) (1) under its copyright rights in the Software (a) for Software provided in source code form, to modify and reproduce the Software solely for use with Cypress hardware products, only internally within your organization, and (b) to distribute the Software in binary code form externally to end users (either directly or indirectly through resellers and distributors), solely for use on Cypress hardware product units, and (2) under those claims of Cypress's patents that are infringed by the Software (as provided by Cypress, unmodified) to make, use, distribute, and import the Software solely for use with Cypress hardware products. Any other use, reproduction, modification, translation, or compilation of the Software is prohibited.

TO THE EXTENT PERMITTED BY APPLICABLE LAW, CYPRESS MAKES NO WARRANTY OF ANY KIND, EXPRESS OR IMPLIED, WITH REGARD TO THIS DOCUMENT OR ANY SOFTWARE OR ACCOMPANYING HARDWARE, INCLUDING, BUT NOT LIMITED TO, THE IMPLIED WARRANTIES OF MERCHANTABILITY AND FITNESS FOR A PARTICULAR PURPOSE. To the extent permitted by applicable law, Cypress reserves the right to make changes to this document without further notice. Cypress does not assume any liability arising out of the application or use of any product or circuit described in this document. Any information provided in this document, including any sample design information or programming code, is provided only for reference purposes. It is the responsibility of the user of this document to properly design, program, and test the functionality and safety of any application made of this information and any resulting product. Cypress products are not designed, intended, or authorized for use as critical components in systems designed or intended for the operation of weapons, weapons systems, nuclear installations, life-support devices or systems, other medical devices or systems (including resuscitation equipment and surgical implants), pollution control or hazardous substances management, or other uses where the failure of the device or system could cause personal injury, death, or property damage ("Unintended Uses"). A critical component is any component of a device or system whose failure to perform can be reasonably expected to cause the failure of the device or system, or to affect its safety or effectiveness. Cypress is not liable, in whole or in part, and you shall and hereby do release Cypress from any claim, damage, or other liability arising from or related to all Unintended Uses of Cypress products. You shall indemnify and hold Cypress harmless from and against all claims, costs, damages, and other liabilities, including claims for personal injury or death, arising from or related to any Unintended Uses of Cypress products.

Cypress, the Cypress logo, Spansion, the Spansion logo, and combinations thereof, PSoC, CapSense, EZ-USB, F-RAM, and Traveo are trademarks or registered trademarks of Cypress in the United States and other countries. For a more complete list of Cypress trademarks, visit cypress.com. Other names and brands may be claimed as property of their respective owners.

OUR CERTIFICATE

DiGi provide top-quality products and perfect service for customer worldwide through standardization, technological innovation and continuous improvement. DiGi through third-party certification, we strictly control the quality of products and services. Welcome your RFQ to

Email: Info@DiGi-Electronics.com



Tel: +00 852-30501935

RFQ Email: Info@DiGi-Electronics.com

DiGi is a global authorized distributor of electronic components.