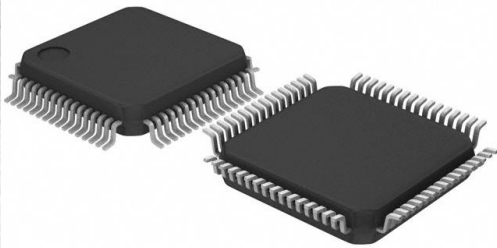


CY96F356RWBPMC1-GS-UJE2 Datasheet

www.digi-electronics.com



<https://www.DiGi-Electronics.com>

DiGi Electronics Part Number	CY96F356RWBPMC1-GS-UJE2-DG
Manufacturer	Infineon Technologies
Manufacturer Product Number	CY96F356RWBPMC1-GS-UJE2
Description	IC MCU 16BIT 288KB FLASH 64LQFP
Detailed Description	F ² MC-16FX F ² MC-16FX CY96350 Microcontroller IC 16-Bit 56MHz 288KB (288K x 8) FLASH 64-LQFP (10x10)

This model CY96F356RWBPMC1-GS-UJE2 is available at DiGi Electronics.

DiGi Electronics offers a global database of semiconductor and electronic component datasheets.

We welcome your inquiries regarding pricing, lead time, or other product-related questions.

 [Request a Quote](#)

 [Datasheet Search](#)



Tel: +00 852-30501935

RFQ Email: Info@DiGi-Electronics.com

DiGi is a global authorized distributor of electronic components.

Purchase and inquiry

Manufacturer Product Number:

CY96F356RWBPMC1-GS-UJE2

Series:

F²MC-16FX CY96350

DiGi-Electronics Programmable:

Not Verified

Core Size:

16-Bit

Connectivity:

CANbus, EBI/EMI, I2C, LINbus, SCI, UART/USART

Number of I/O:

49

Program Memory Type:

FLASH

RAM Size:

12K x 8

Data Converters:

A/D 15x10b SAR

Operating Temperature:

-40°C ~ 105°C (TA)

Supplier Device Package:

64-LQFP (10x10)

Base Product Number:

CY96F356

Manufacturer:

Infineon Technologies

Product Status:

Obsolete

Core Processor:

F²MC-16FX

Speed:

56MHz

Peripherals:

DMA, LVD, LVR, POR, PWM, WDT

Program Memory Size:

288KB (288K x 8)

EEPROM Size:

-

Voltage - Supply (Vcc/Vdd):

3V ~ 5.5V

Oscillator Type:

Internal

Mounting Type:

Surface Mount

Package / Case:

64-LQFP

Environmental & Export classification

RoHS Status:

ROHS3 Compliant

REACH Status:

REACH Unaffected

HTSUS:

0000.00.0000

Moisture Sensitivity Level (MSL):

3 (168 Hours)

ECCN:

OBSOLETE



Please note that Cypress is an Infineon Technologies Company.

The document following this cover page is marked as “Cypress” document as this is the company that originally developed the product. Please note that Infineon will continue to offer the product to new and existing customers as part of the Infineon product portfolio.

Continuity of document content

The fact that Infineon offers the following product as part of the Infineon product portfolio does not lead to any changes to this document. Future revisions will occur when appropriate, and any changes will be set out on the document history page.

Continuity of ordering part numbers

Infineon continues to support existing part numbers. Please continue to use the ordering part numbers listed in the datasheet for ordering.



CY96F353/F355
CY96F356

F²MC-16FX, CY96350 Series, 16-bit Proprietary Microcontroller

CY96350 series is based on Cypress's advanced 16FX architecture (16-bit with instruction pipeline for RISC-like performance). The CPU uses the same instruction set as the established 16LX series - thus allowing for easy migration of 16LX Software to the new 16FX products. 16FX improvements compared to the previous generation include significantly improved performance - even at the same operation frequency, reduced power consumption and faster start-up time.

For highest processing speed at optimized power consumption an internal PLL can be selected to supply the CPU with up to 56 MHz operation frequency from an external 4 MHz resonator. The result is a minimum instruction cycle time of 17.8 ns going together with excellent EMI behavior. An on-chip clock modulation circuit significantly reduces emission peaks in the frequency spectrum. The emitted power is minimized by the on-chip voltage regulator that reduces the internal CPU voltage. A flexible clock tree allows to select suitable operation frequencies for peripheral resources independent of the CPU speed.

Features

- ? Technology
 - ? 0.18 μ m CMOS
- ? CPU
 - ? F²MC-16FX CPU
 - ? Up to 56 MHz internal, 17.8 ns instruction cycle time
 - ? Optimized instruction set for controller applications (bit, byte, word and long-word data types; 23 different addressing modes; barrel shift; variety of pointers)
 - ? 8-byte instruction execution queue
 - ? Signed multiply (16-bit \times 16-bit) and divide (32-bit/16-bit) instructions available
- ? System clock
 - ? On-chip PLL clock multiplier (x1 - x25, x1 when PLL stop)
 - ? 3 MHz - 16 MHz external crystal oscillator clock (maximum frequency when using ceramic resonator depends on Q-factor).
 - ? Up to 56 MHz external clock
 - ? 32-100 kHz subsystem quartz clock
 - ? 100 kHz/2 MHz internal RC clock for quick and safe startup, oscillator stop detection, watchdog
 - ? Clock source selectable from main- and subclock oscillator (part number suffix "W") and on-chip RC oscillator, independently for CPU and 2 clock domains of peripherals.
 - ? Low Power Consumption - 13 operating modes : (different Run, Sleep, Timer modes, Stop mode)
 - ? Clock modulator
- ? On-chip voltage regulator
 - ? Internal voltage regulator supports reduced internal MCU voltage, offering low EMI and low power consumption figures
- ? Low voltage reset
 - ? Reset is generated when supply voltage is below minimum.
- ? Code Security
 - ? Protects ROM content from unintended read-out
- ? Memory Patch Function
 - ? Replaces ROM content
 - ? Can also be used to implement embedded debug support
- ? DMA
 - ? Automatic transfer function independent of CPU, can be assigned freely to resources
- ? Interrupts
 - ? Fast Interrupt processing
 - ? 8 programmable priority levels
 - ? Non-Maskable Interrupt (NMI)
- ? Timers
 - ? Three independent clock timers (23-bit RC clock timer, 23-bit Main clock timer, 17-bit Sub clock timer)
 - ? Watchdog Timer
- ? CAN
 - ? Supports CAN protocol version 2.0 part A and B
 - ? ISO16845 certified
 - ? Bit rates up to 1 Mbit/s
 - ? 32 message objects
 - ? Each message object has its own identifier mask
 - ? Programmable FIFO mode (concatenation of message objects)
 - ? Maskable interrupt
 - ? Disabled Automatic Retransmission mode for Time Triggered CAN applications
 - ? Programmable loop-back mode for self-test operation
- ? USART
 - ? Full duplex USARTs (SCI/LIN)
 - ? Wide range of baud rate settings using a dedicated reload timer
 - ? Special synchronous options for adapting to different synchronous serial protocols
 - ? LIN functionality working either as master or slave LIN device
- ? I²C
 - ? Up to 400 kbps
 - ? Master and Slave functionality, 7-bit and 10-bit addressing
- ? A/D converter
 - ? SAR-type
 - ? 10-bit resolution
 - ? Signals interrupt on conversion end, single conversion mode, continuous conversion mode, stop conversion mode, activation by software, external trigger or reload timer



- ? Reload Timers
 - ? 16-bit wide
 - ? Prescaler with $1/2^1$, $1/2^2$, $1/2^3$, $1/2^4$, $1/2^5$, $1/2^6$ of peripheral clock frequency
 - ? Event count function
- ? Free Running Timers
 - ? Signals an interrupt on overflow, supports timer clear upon match with Output Compare (0, 4), Prescaler with 1, $1/2^1$, $1/2^2$, $1/2^3$, $1/2^4$, $1/2^5$, $1/2^6$, $1/2^7$, $1/2^8$ of peripheral clock frequency
- ? Input Capture Units
 - ? 16-bit wide
 - ? Signals an interrupt upon external event
 - ? Rising edge, falling edge or rising & falling edge sensitive
- ? Output Compare Units
 - ? 16-bit wide
 - ? Signals an interrupt when a match with 16-bit I/O Timer occurs
 - ? A pair of compare registers can be used to generate an output signal.
- ? Programmable Pulse Generator
 - ? 16-bit down counter, cycle and duty setting registers
 - ? Interrupt at trigger, counter borrow and/or duty match
 - ? PWM operation and one-shot operation
 - ? Internal prescaler allows 1, 1/4, 1/16, 1/64 of peripheral clock as counter clock and Reload timer overflow as clock input
 - ? Can be triggered by software or reload timer
- ? Real Time Clock
 - ? Can be clocked either from sub oscillator (devices with part number suffix "W"), main oscillator or from the RC oscillator
 - ? Facility to correct oscillation deviation of Sub clock or RC oscillator clock (clock calibration)
 - ? Read/write accessible second/minute/hour registers
 - ? Can signal interrupts every half second/second/minute/hour/day
 - ? Internal clock divider and prescaler provide exact 1 s clock
- ? External Interrupts
 - ? Edge sensitive or level sensitive
 - ? Interrupt mask and pending bit per channel
 - ? Each available CAN channel RX has an external interrupt for wake-up
 - ? Selected USART channels SIN have an external interrupt for wake-up
- ? Non Maskable Interrupt
 - ? Disabled after reset
 - ? Once enabled, can not be disabled other than by reset.
 - ? Level high or level low sensitive
 - ? Pin shared with external interrupt 0.
- ? External bus interface
 - ? 8-bit or 16-bit bidirectional data
 - ? Up to 24-bit addresses
 - ? 6 chip select signals
 - ? Multiplexed address/data lines
 - ? Wait state request
 - ? External bus master possible
 - ? Timing programmable
- ? I/O Ports
 - ? Virtually all external pins can be used as general purpose I/O
 - ? All push-pull outputs (except when used as I²C SDA/SCL line)
 - ? Bit-wise programmable as input/output or peripheral signal
 - ? Bit-wise programmable input enable
 - ? Bit-wise programmable input levels: Automotive / CMOS-Schmitt trigger / TTL
 - ? Bit-wise programmable pull-up resistor
 - ? Bit-wise programmable output driving strength for EMI optimization
- ? Package
 - ? 64-pin plastic LQFP
- ? Flash Memory
 - ? Supports automatic programming, Embedded Algorithm
 - ? Write/Erase/Erase-Suspend/Resume commands
 - ? A flag indicating completion of the algorithm
 - ? Number of erase cycles: 10,000 times
 - ? Data retention time: 20 years
 - ? Erase can be performed on each sector individually
 - ? Sector protection
 - ? Flash Security feature to protect the content of the Flash
 - ? Low voltage detection during Flash erase



Contents

Product Lineup	4	Electrical Characteristics	43
Block Diagram	5	Absolute Maximum Ratings	43
Pin Assignments	6	Recommended Operating Conditions	45
Pin Function Description	7	DC Characteristics	46
Pin Circuit Type	9	AC Characteristics	54
I/O Circuit Type	10	Analog Digital Converter	73
Memory Map	13	Low Voltage Detector Characteristics	77
RAMSTART/END and External Bus End Addresses ...	14	Flash Memory Program/Erase Characteristics	78
User ROM Memory Map for Flash Devices	14	Example Characteristics	79
Serial Programming Communication Interface	15	Package Dimension	88
I/O Map	16	CY96(F)35x LQFP 64 - LQG064	88
Interrupt Vector Table	37	CY96(F)35x LQFP 64 - LQD064	89
Handling Devices	40	Ordering Information	90
Latch-up Prevention	40	MCU with CAN Controller	90
Unused Pins Handling	40	MCU without CAN Controller	90
External Clock Usage	40	Major Changes	91
Unused Sub Clock Signal	41	Revision History	92
Notes on PLL Clock Mode Operation	41	Document History	97
Power Supply Pins (VCC/VSS)	41	Sales, Solutions, and Legal Information	98
Crystal Oscillator and Ceramic Resonator Circuit	41	Worldwide Sales and Design Support	98
Turn on Sequence of Power Supply to		Products	98
A/D Converter and Analog Inputs	41	PSoC® Solutions	98
Pin Handling when Not Using the A/D Converter	41	Cypress Developer Community	98
Notes on Power-on	41	Technical Support	98
Stabilization of Power Supply Voltage	41		
Serial Communication	42		
Clock modulator	42		



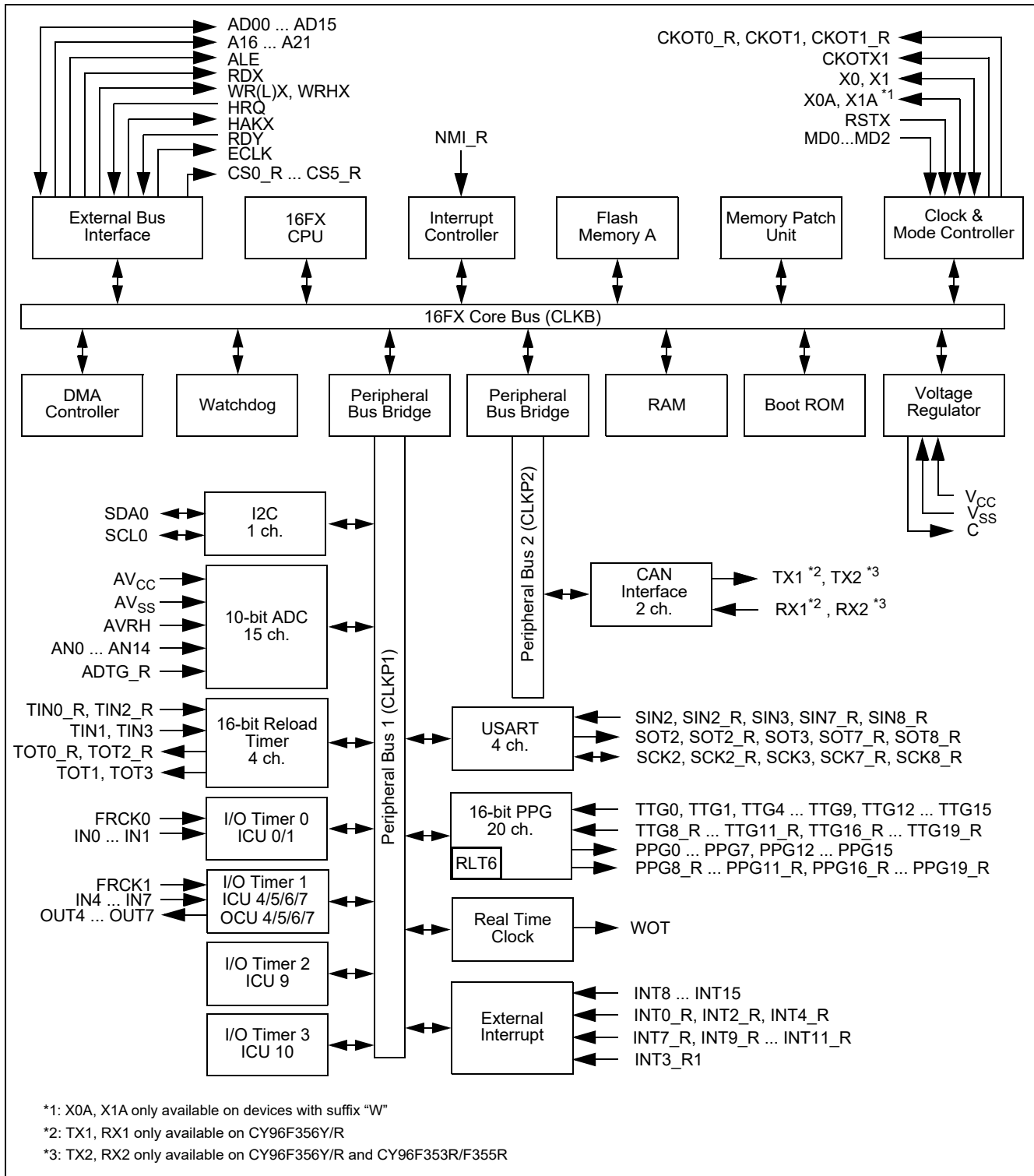
Product Lineup

Features		CY96V300C	CY96(F)35x
Product type		Evaluation sample	Flash product: CY96F35x Mask ROM product: CY9635x
Product options			
RS		NA	Low voltage reset can be disabled / Single clock devices
RW			Low voltage reset can be disabled / Dual clock devices
AS			No CAN / Low voltage reset can be disabled / Single clock devices
AW			No CAN / Low voltage reset can be disabled / Dual clock devices
Flash/ROM	RAM		
96 KB	8 KB	ROM/Flash memory emulation by external RAM, 92 KB internal RAM	CY96F353RS/RW/AS/AW
160 KB	8 KB		CY96F355RS/RW/AS/AW
288 KB	12 KB		CY96F356RS/RW/AS/AW
Package		BGA416	LQG064/LQD064
DMA		16 channels	4 channels
USART		10 channels	4 channels
I ² C		2 channels	1 channel
A/D Converter		40 channels	15 channels
A/D Converter Reference Voltage switch		yes	No
16-bit Reload Timer		6 channels + 1 channel (for PPG)	4 channels + 1 channel (for PPG)
16-bit Free-Running Timer		4 channels	4 channels (2 channels with external clock input pin)
16-bit Output Compare		12 channels	4 channels
16-bit Input Capture		12 channels	6 channels (plus 2 channels for LIN USART)
16-bit Programmable Pulse Generator		20 channels	20 channels
CAN Interface		5 channels	CY96F35xA: no CY96F353R/F355R: 1 channel CY96F356R: 2 channels
External Interrupts		16 channels	13 channels
Non-Maskable Interrupt		1 channel	
Real Time Clock		1	
I/O Ports		136	49 for part number with suffix "W", 51 for part number with suffix "S"
External bus interface		Yes	
Chip select		6 signals	
Clock output function		2 channels	
Low voltage reset		Yes	
On-chip RC-oscillator		Yes	



Block Diagram

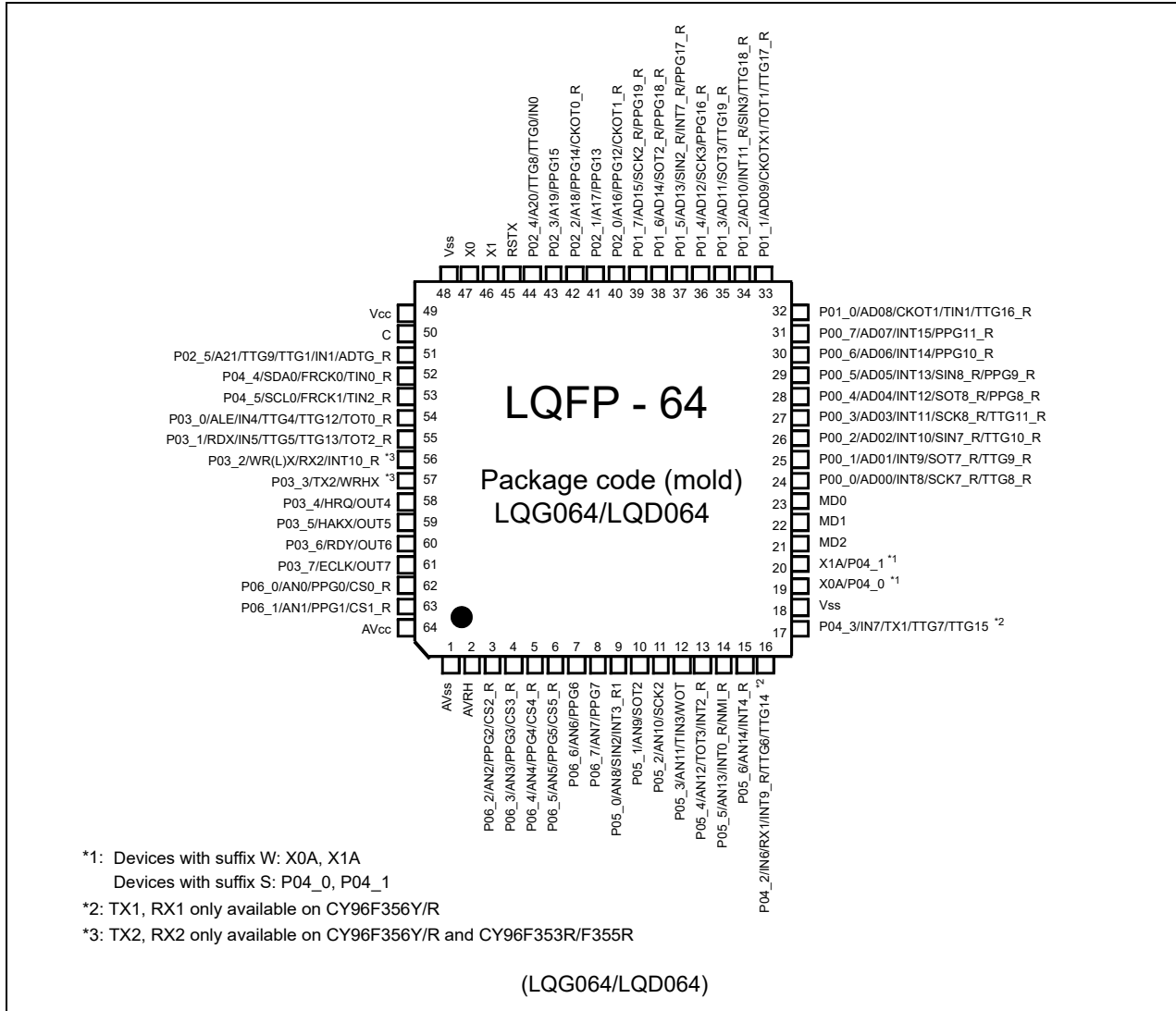
Figure 1. Block Diagram of CY96(F)35x





Pin Assignments

Figure 2. Pin Assignment of CY96(F)35x



Remark:

CY96(F)35x products are pin-compatible to F²MC-16LX family CY90350 series.



Pin Function Description

Table 1. Pin Function Description (1 / 2)

Pin Name	Feature	Description
ADn	External bus	External bus interface (multiplexed mode) address output and data input/output
ADTG_R	ADC	Relocated A/D converter trigger input
ALE	External bus	External bus Address Latch Enable output
An	External bus	External bus address output
ANn	ADC	A/D converter channel n input
AV _{CC}	Supply	Analog circuits power supply
AVRH	ADC	A/D converter high reference voltage input
AV _{SS}	Supply	Analog circuits power supply
C	Voltage regulator	Internally regulated power supply stabilization capacitor pin
CKOTn	Clock output function	Clock Output function n output
CKOTn_R	Clock output function	Relocated Clock Output function n output
CKOTXn	Clock output function	Clock Output function n inverted output
ECLK	External bus	External bus clock output
CSn_R	External bus	Relocated External bus chip select n output
FRCKn	Free Running Timer	Free Running Timer n input
HAKX	External bus	External bus Hold Acknowledge
HRQ	External bus	External bus Hold Request
INn	ICU	Input Capture Unit n input
INTn	External Interrupt	External Interrupt n input
INTn_R	External Interrupt	Relocated External Interrupt n input
MDn	Core	Input pins for specifying the operating mode.
NMI_R	External Interrupt	Relocated Non-Maskable Interrupt input
OUTn	OCU	Output Compare Unit n waveform output
Pxx_n	GPIO	General purpose IO
PPGn	PPG	Programmable Pulse Generator n output
PPGn_R	PPG	Relocated Programmable Pulse Generator n output
RDX	External bus	External bus interface read strobe output
RDY	External bus	External bus interface external wait state request input
RSTX	Core	Reset input
RXn	CAN	CAN interface n RX input
SCKn	USART	USART n serial clock input/output
SCKn_R	USART	Relocated USART n serial clock input/output
SCLn	I ² C	I ² C interface n clock I/O input/output
SDAn	I ² C	I ² C interface n serial data I/O input/output
SINn	USART	USART n serial data input
SINn_R	USART	Relocated USART n serial data input
SOTn	USART	USART n serial data output
SOTn_R	USART	Relocated USART n serial data output



Table 1. Pin Function Description (2 / 2) (continued)

Pin Name	Feature	Description
TINn	Reload Timer	Reload Timer n event input
TINn_R	Reload Timer	Relocated Reload Timer n event input
TOTn	Reload Timer	Reload Timer n output
TOTn_R	Reload Timer	Relocated Reload Timer n output
TTGn	PPG	Programmable Pulse Generator n trigger input
TTGn_R	PPG	Relocated Programmable Pulse Generator n trigger input
TXn	CAN	CAN interface n TX output
V _{CC}	Supply	Power supply
V _{SS}	Supply	Power supply
WOT	RTC	Real Timer clock output
WRHX	External bus	External bus High byte write strobe output
WRLX/WRX	External bus	External bus Low byte / Word write strobe output
X0	Clock	Oscillator input
X0A	Clock	Subclock Oscillator input (only for devices with suffix "W")
X1	Clock	Oscillator output
X1A	Clock	Subclock Oscillator output (only for devices with suffix "W")



Pin Circuit Type

Table 2. LQG064/LQD064

Pin No.	Circuit Type ^{*1}
1	Supply
2	G
3 to 15	I
16,17	H
18	Supply
19,20	B ^{*2}
19,20	H ^{*3}
21 to 23	C
24 to 44	H
45	E
46,47	A
48,49	Supply
50	F
51	H
52, 53	N
54 to 61	H
62,63	I
64	Supply

*1: Please refer to I/O Circuit Type for details on the I/O circuit types

*2: Devices with suffix "W"

*3: Devices without suffix "W"



I/O Circuit Type

Type	Circuit	Remarks
A		<p>High-speed oscillation circuit:</p> <ul style="list-style-type: none"> ? Programmable between oscillation mode (external crystal or resonator connected to X0/X1 pins) and Fast external Clock Input (FCI) mode (external clock connected to X0 pin) ? Programmable feedback resistor = approx. $2 * 0.5 \text{ M}\Omega$. Feedback resistor is grounded in the center when the oscillator is disabled or in FCI mode
B		<p>Low-speed oscillation circuit:</p> <ul style="list-style-type: none"> ? Programmable feedback resistor = approx. $20 \text{ M}\Omega$ (X1A: $19.5 \text{ M}\Omega$, X0A: $0.5 \text{ M}\Omega$) Feedback resistor is grounded in the center when the oscillator is disabled
C		<ul style="list-style-type: none"> ? Mask ROM and EVA device: CMOS Hysteresis input pin ? Flash device: CMOS input pin
E		<ul style="list-style-type: none"> ? CMOS Hysteresis input pin ? Pull-up resistor value: approx. $50 \text{ k}\Omega$



Type	Circuit	Remarks
F		<p>? Power supply input protection circuit</p>
G		<p>? A/D converter ref+ (AVRH) power supply input pin with protection circuit ? Flash devices do not have a protection circuit against VCC for pin AVRH</p>
H		<p>? CMOS level output (programmable $I_{OL} = 5 \text{ mA}$, $I_{OH} = -5 \text{ mA}$ and $I_{OL} = 2 \text{ mA}$, $I_{OH} = -2 \text{ mA}$) ? 2 different CMOS hysteresis inputs with input shutdown function ? Automotive input with input shutdown function ? TTL input with input shutdown function ? Programmable pull-up resistor: 50 kΩ approx.</p> <p>Note: CY96F353/F355: Only Automotive input and CMOS hysteresis input (0.7/0.3) are supported</p>



Type	Circuit	Remarks
I	<p>Pull-up control</p> <p>Pout</p> <p>Nout</p> <p>Standby control for input shutdown</p> <p>Standby control for input shutdown</p> <p>Standby control for input shutdown</p> <p>Standby control for input shutdown</p> <p>Hysteresis input</p> <p>Hysteresis input</p> <p>Automotive input</p> <p>TTL input</p> <p>Analog input</p>	<p>? CMOS level output (programmable $I_{OL} = 5 \text{ mA}$, $I_{OH} = -5 \text{ mA}$ and $I_{OL} = 2 \text{ mA}$, $I_{OH} = -2 \text{ mA}$)</p> <p>? 2 different CMOS hysteresis inputs with input shutdown function</p> <p>? Automotive input with input shutdown function</p> <p>? TTL input with input shutdown function.</p> <p>? Programmable pull-up resistor: 50 kΩ approx.</p> <p>? Analog input</p> <p>Note: CY96F353/F355: Only Automotive input and CMOS hysteresis input (0.7/0.3) are supported</p>
N	<p>pull-up control</p> <p>Pout</p> <p>Nout *1</p> <p>Standby control for input shutdown</p> <p>Standby control for input shutdown</p> <p>Standby control for input shutdown</p> <p>Standby control for input shutdown</p> <p>Hysteresis input</p> <p>Hysteresis input</p> <p>Automotive input</p> <p>TTL input</p>	<p>? CMOS level output ($I_{OL} = 3 \text{ mA}$, $I_{OH} = -3 \text{ mA}$)</p> <p>? 2 different CMOS hysteresis inputs with input shutdown function</p> <p>? Automotive input with input shutdown function</p> <p>? TTL input with input shutdown function</p> <p>? Programmable pull-up resistor: 50 kΩ approx.</p> <p>*1: N-channel transistor has slew rate control according to I²C spec, irrespective of usage</p> <p>Note: CY96F353/F355: Only Automotive input and CMOS hysteresis input (0.7/0.3) are supported</p>



Memory Map

	CY96V300C		CY96(F)35x	
FF:FFF _H	Emulation ROM		USER ROM / External Bus ^{*4}	
DE:000 _H	External Bus		External Bus	
10:000 _H	Boot-ROM		Boot-ROM	
0F:E00 _H	Reserved		Reserved	
0E:000 _H	External RAM		Reserved	
02:000 _H	Internal RAM bank 1	RAMEND1 ^{*2} RAMSTART1 ^{*2}	Reserved	
01:000 _H	ROM/RAM MIRROR		Internal RAM bank 1	RAM availability depending on the device
00:800 _H	Internal RAM bank 0		Reserved	
	Internal RAM bank 0	RAMSTART0 ^{*2}	ROM/RAM MIRROR	
	Internal RAM bank 0		Internal RAM bank 0	
	Internal RAM bank 0		Reserved	
RAMSTART0 ^{*3}	Internal RAM bank 0		External Bus	External Bus end address ^{*2}
00:0C0 _H	External Bus		External Bus	
00:038 _H	Peripherals		Peripherals	
00:018 _H	GPR ^{*1}		GPR ^{*1}	
00:010 _H	DMA		DMA	
00:00F _H	External Bus		External Bus	
00:000 _H	Peripheral		Peripheral	

*1: Unused GPR banks can be used as RAM area
 *2: For External Bus end address and RAMSTART/END addresses, please refer to the table on the next page.
 *3: For EVA device, RAMSTART0 depends on the configuration of the emulated device.
 *4: For details about USER ROM area, see the [User ROM Memory Map for Flash Devices](#) on the following pages.
 The External Bus area and DMA area are only available if the device contains the corresponding resource.
 The available RAM and ROM area depends on the device.



RAMSTART/END and External Bus End Addresses

Devices	Bank 0 RAM Size	Bank 1 RAM Size	External Bus End Address	RAMSTART0	RAMSTART1	RAMEND1
CY96F353/F355	8 KByte	-	00:51FF _H	00:6240 _H	-	-
CY96F356	12 KByte	-	00:51FF _H	00:5240 _H	-	-

User ROM Memory Map for Flash Devices

Alternative mode CPU address	Flash memory mode address	CY96F353	CY96F355	CY96F356		
		Flash size 96 kByte	Flash size 160 kByte	Flash size 288 kByte		
FF:FFF _H	3F:FFF _H	External bus	S39 - 64K	S39 - 64K	Flash A	
FF:000 _H	3F:000 _H		S38 - 64K	S38 - 64K		
FE:FFF _H	3E:FFF _H		External bus	S37 - 64K		S36 - 64K
FE:000 _H	3E:000 _H			External bus		External bus
FD:FFF _H	3D:FFF _H					
FD:000 _H	3D:000 _H					
FC:FFF _H	3C:FFF _H					
FC:000 _H	3C:000 _H					
FB:FFF _H	3B:FFF _H					
FB:000 _H	3B:000 _H					
FA:FFF _H	3A:FFF _H					
FA:000 _H	3A:000 _H					
F9:FFF _H	39:FFF _H					
F9:000 _H	39:000 _H					
F8:FFF _H	38:FFF _H					
F8:000 _H	38:000 _H					
F7:FFF _H	37:FFF _H					
F7:000 _H	37:000 _H					
F6:FFF _H	36:FFF _H					
F6:000 _H	36:000 _H					
F5:FFF _H	35:FFF _H					
F5:000 _H	35:000 _H					
F4:FFF _H	34:FFF _H					
F4:000 _H	34:000 _H					
F3:FFF _H	33:FFF _H					
F3:000 _H	33:000 _H					
F2:FFF _H	32:FFF _H					
F2:000 _H	32:000 _H					
F1:FFF _H	31:FFF _H					
F1:000 _H	31:000 _H					
F0:FFF _H	30:FFF _H					
F0:000 _H	30:000 _H					
E0:FFF _H						
E0:000 _H						
DF:FFF _H		Reserved	Reserved	Reserved	Flash A	
DF:800 _H		SA3 - 8K	SA3 - 8K	SA3 - 8K		
DF:7FF _H	1F:7FF _H	SA2 - 8K	SA2 - 8K	SA2 - 8K		
DF:600 _H	1F:600 _H	SA1 - 8K	SA1 - 8K	SA1 - 8K		
DF:5FF _H	1F:5FF _H	SA0 - 8K ^{*1}	SA0 - 8K ^{*1}	SA0 - 8K ^{*1}		
DF:400 _H	1F:400 _H	Reserved	Reserved	Reserved		
DF:3FF _H	1F:3FF _H					
DF:200 _H	1F:200 _H					
DF:1FF _H	1F:1FF _H					
DF:000 _H	1F:000 _H					
DE:FFF _H						
DE:000 _H						

*1: Sector SA0 contains the ROM Configuration Block RCBA at CPU address DF:0000_H - DF:007F_H



Serial Programming Communication Interface

Table 3. USART pins for Flash serial programming (MD[2:0] = 010)

CY96F35x		
Pin Number	USART Number	Normal Function
LQFP-64		
9	USART2	SIN2
10		SOT2
11		SCK2
34	USART3	SIN3
35		SOT3
36		SCK3
26	USART7	SIN7_R
25		SOT7_R
24		SCK7_R
29	USART8	SIN8_R
28		SOT8_R
27		SCK8_R

Note: If a Flash programmer and its software needs to use a handshaking pin, Cypress suggests to the tool vendor to support at least port P00_1 on pin 25.

If handshaking is used by the tool but P00_1 is not available in customer's application, Cypress suggests to the customer to check the tool manual or to contact the tool vendor for alternative handshaking pins.



I/O Map

Table 4. I/O Map CY96(F)35x (1 / 21)

Address	Register	Abbreviation 8-bit Access	Abbreviation 16-bit Access	Access
000000 _H	I/O Port P00 - Port Data Register	PDR00		R/W
000001 _H	I/O Port P01 - Port Data Register	PDR01		R/W
000002 _H	I/O Port P02 - Port Data Register	PDR02		R/W
000003 _H	I/O Port P03 - Port Data Register	PDR03		R/W
000004 _H	I/O Port P04 - Port Data Register	PDR04		R/W
000005 _H	I/O Port P05 - Port Data Register	PDR05		R/W
000006 _H	I/O Port P06 - Port Data Register	PDR06		R/W
000007 _H -000017 _H	Reserved			-
000018 _H	ADC0 - Control Status register Low	ADC0SL	ADCS	R/W
000019 _H	ADC0 - Control Status register High	ADC0SH		R/W
00001A _H	ADC0 - Data Register Low	ADC0RL	ADCR	R
00001B _H	ADC0 - Data Register High	ADC0RH		R
00001C _H	ADC0 - Setting Register		ADSR	R/W
00001D _H	ADC0 - Setting Register			R/W
00001E _H	ADC0 - Extended Configuration Register	ADECR		R/W
00001F _H	Reserved			-
000020 _H	FRT0 - Data register of free-running timer		TCDT0	R/W
000021 _H	FRT0 - Data register of free-running timer			R/W
000022 _H	FRT0 - Control status register of free-running timer Low	TCCSL0	TCCS0	R/W
000023 _H	FRT0 - Control status register of free-running timer High	TCCSH0		R/W
000024 _H	FRT1 - Data register of free-running timer		TCDT1	R/W
000025 _H	FRT1 - Data register of free-running timer			R/W
000026 _H	FRT1 - Control status register of free-running timer Low	TCCSL1	TCCS1	R/W
000027 _H	FRT1 - Control status register of free-running timer High	TCCSH1		R/W
000028 _H -000033 _H	Reserved			-
000034 _H	OCU4 - Output Compare Control Status	OCS4		R/W
000035 _H	OCU5 - Output Compare Control Status	OCS5		R/W
000036 _H	OCU4 - Compare Register		OCCP4	R/W
000037 _H	OCU4 - Compare Register			R/W
000038 _H	OCU5 - Compare Register		OCCP5	R/W
000039 _H	OCU5 - Compare Register			R/W
00003A _H	OCU6 - Output Compare Control Status	OCS6		R/W
00003B _H	OCU7 - Output Compare Control Status	OCS7		R/W
00003C _H	OCU6 - Compare Register		OCCP6	R/W
00003D _H	OCU6 - Compare Register			R/W
00003E _H	OCU7 - Compare Register		OCCP7	R/W
00003F _H	OCU7 - Compare Register			R/W
000040 _H	ICU0/ICU1 - Control Status Register	ICS01		R/W



Table 4. I/O Map CY96(F)35x (2 / 21) (continued)

Address	Register	Abbreviation 8-bit Access	Abbreviation 16-bit Access	Access
000041 _H	ICU0/ICU1 - Edge register	ICE01		R/W
000042 _H	ICU0 - Capture Register Low	IPCPL0	IPCP0	R
000043 _H	ICU0 - Capture Register High	IPCPH0		R
000044 _H	ICU1 - Capture Register Low	IPCPL1	IPCP1	R
000045 _H	ICU1 - Capture Register High	IPCPH1		R
000046 _H –00004B _H	Reserved			
00004C _H	ICU4/ICU5 - Control Status Register	ICS45		R/W
00004D _H	ICU4/ICU5 - Edge register	ICE45		R/W
00004E _H	ICU4 - Capture Register Low	IPCPL4	IPCP4	R
00004F _H	ICU4 - Capture Register High	IPCPH4		R
000050 _H	ICU5 - Capture Register Low	IPCPL5	IPCP5	R
000051 _H	ICU5 - Capture Register High	IPCPH5		R
000052 _H	ICU6/ICU7 - Control Status Register	ICS67		R/W
000053 _H	ICU6/ICU7 - Edge register	ICE67		R/W
000054 _H	ICU6 - Capture Register Low	IPCPL6	IPCP6	R
000055 _H	ICU6 - Capture Register High	IPCPH6		R
000056 _H	ICU7 - Capture Register Low	IPCPL7	IPCP7	R
000057 _H	ICU7 - Capture Register High	IPCPH7		R
000058 _H	EXTINT0 - External Interrupt Enable Register	ENIR0		R/W
000059 _H	EXTINT0 - External Interrupt Interrupt request Register	EIRR0		R/W
00005A _H	EXTINT0 - External Interrupt Level Select Low	ELVRL0	ELVR0	R/W
00005B _H	EXTINT0 - External Interrupt Level Select High	ELVRH0		R/W
00005C _H	EXTINT1 - External Interrupt Enable Register	ENIR1		R/W
00005D _H	EXTINT1 - External Interrupt Interrupt request Register	EIRR1		R/W
00005E _H	EXTINT1 - External Interrupt Level Select Low	ELVRL1	ELVR1	R/W
00005F _H	EXTINT1 - External Interrupt Level Select High	ELVRH1		R/W
000060 _H	RLT0 - Timer Control Status Register Low	TMCSRL0	TMCSR0	R/W
000061 _H	RLT0 - Timer Control Status Register High	TMCSRH0		R/W
000062 _H	RLT0 - Reload Register - for writing		TMRLR0	W
000062 _H	RLT0 - Reload Register - for reading		TMR0	R
000063 _H	RLT0 - Reload Register - for writing			W
000063 _H	RLT0 - Reload Register - for reading			R
000064 _H	RLT1 - Timer Control Status Register Low	TMCSRL1	TMCSR1	R/W
000065 _H	RLT1 - Timer Control Status Register High	TMCSRH1		R/W
000066 _H	RLT1 - Reload Register - for writing		TMRLR1	W
000066 _H	RLT1 - Reload Register - for reading		TMR1	R
000067 _H	RLT1 - Reload Register - for writing			W
000067 _H	RLT1 - Reload Register - for reading			R
000068 _H	RLT2 - Timer Control Status Register Low	TMCSRL2	TMCSR2	R/W



Table 4. I/O Map CY96(F)35x (3 / 21) (continued)

Address	Register	Abbreviation 8-bit Access	Abbreviation 16-bit Access	Access
000069 _H	RLT2 - Timer Control Status Register High	TMCSRH2		R/W
00006A _H	RLT2 - Reload Register - for writing		TMRLR2	W
00006A _H	RLT2 - Reload Register - for reading		TMR2	R
00006B _H	RLT2 - Reload Register - for writing			W
00006B _H	RLT2 - Reload Register - for reading			R
00006C _H	RLT3 - Timer Control Status Register Low	TMCSRL3	TMCSR3	R/W
00006D _H	RLT3 - Timer Control Status Register High	TMCSRH3		R/W
00006E _H	RLT3 - Reload Register - for writing		TMRLR3	W
00006E _H	RLT3 - Reload Register - for reading		TMR3	R
00006F _H	RLT3 - Reload Register - for writing			W
00006F _H	RLT3 - Reload Register - for reading			R
000070 _H	RLT6 - Timer Control Status Register Low (dedic. RLT for PPG)	TMCSRL6	TMCSR6	R/W
000071 _H	RLT6 - Timer Control Status Register High (dedic. RLT for PPG)	TMCSRH6		R/W
000072 _H	RLT6 - Reload Register (dedic. RLT for PPG) - for writing		TMRLR6	W
000072 _H	RLT6 - Reload Register (dedic. RLT for PPG) - for reading		TMR6	R
000073 _H	RLT6 - Reload Register (dedic. RLT for PPG) - for writing			W
000073 _H	RLT6 - Reload Register (dedic. RLT for PPG) - for reading			R
000074 _H	PPG3-PPG0 - General Control register 1 Low	GCN1L0	GCN10	R/W
000075 _H	PPG3-PPG0 - General Control register 1 High	GCN1H0		R/W
000076 _H	PPG3-PPG0 - General Control register 2 Low	GCN2L0	GCN20	R/W
000077 _H	PPG3-PPG0 - General Control register 2 High	GCN2H0		R/W
000078 _H	PPG0 - Timer register		PTMR0	R
000079 _H	PPG0 - Timer register			R
00007A _H	PPG0 - Period setting register		PCSR0	W
00007B _H	PPG0 - Period setting register			W
00007C _H	PPG0 - Duty cycle register		PDUT0	W
00007D _H	PPG0 - Duty cycle register			W
00007E _H	PPG0 - Control status register Low	PCNL0	PCN0	R/W
00007F _H	PPG0 - Control status register High	PCNH0		R/W
000080 _H	PPG1 - Timer register		PTMR1	R
000081 _H	PPG1 - Timer register			R
000082 _H	PPG1 - Period setting register		PCSR1	W
000083 _H	PPG1 - Period setting register			W
000084 _H	PPG1 - Duty cycle register		PDUT1	W
000085 _H	PPG1 - Duty cycle register			W
000086 _H	PPG1 - Control status register Low	PCNL1	PCN1	R/W
000087 _H	PPG1 - Control status register High	PCNH1		R/W
000088 _H	PPG2 - Timer register		PTMR2	R



Table 4. I/O Map CY96(F)35x (4 / 21) (continued)

Address	Register	Abbreviation 8-bit Access	Abbreviation 16-bit Access	Access
000089 _H	PPG2 - Timer register			R
00008A _H	PPG2 - Period setting register		PCSR2	W
00008B _H	PPG2 - Period setting register			W
00008C _H	PPG2 - Duty cycle register		PDUT2	W
00008D _H	PPG2 - Duty cycle register			W
00008E _H	PPG2 - Control status register Low	PCNL2	PCN2	R/W
00008F _H	PPG2 - Control status register High	PCNH2		R/W
000090 _H	PPG3 - Timer register		PTMR3	R
000091 _H	PPG3 - Timer register			R
000092 _H	PPG3 - Period setting register		PCSR3	W
000093 _H	PPG3 - Period setting register			W
000094 _H	PPG3 - Duty cycle register		PDUT3	W
000095 _H	PPG3 - Duty cycle register			W
000096 _H	PPG3 - Control status register Low	PCNL3	PCN3	R/W
000097 _H	PPG3 - Control status register High	PCNH3		R/W
000098 _H	PPG7-PPG4 - General Control register 1 Low	GCN1L1	GCN11	R/W
000099 _H	PPG7-PPG4 - General Control register 1 High	GCN1H1		R/W
00009A _H	PPG7-PPG4 - General Control register 2 Low	GCN2L1	GCN21	R/W
00009B _H	PPG7-PPG4 - General Control register 2 High	GCN2H1		R/W
00009C _H	PPG4 - Timer register		PTMR4	R
00009D _H	PPG4 - Timer register			R
00009E _H	PPG4 - Period setting register		PCSR4	W
00009F _H	PPG4 - Period setting register			W
0000A0 _H	PPG4 - Duty cycle register		PDUT4	W
0000A1 _H	PPG4 - Duty cycle register			W
0000A2 _H	PPG4 - Control status register Low	PCNL4	PCN4	R/W
0000A3 _H	PPG4 - Control status register High	PCNH4		R/W
0000A4 _H	PPG5 - Timer register		PTMR5	R
0000A5 _H	PPG5 - Timer register			R
0000A6 _H	PPG5 - Period setting register		PCSR5	W
0000A7 _H	PPG5 - Period setting register			W
0000A8 _H	PPG5 - Duty cycle register		PDUT5	W
0000A9 _H	PPG5 - Duty cycle register			W
0000AA _H	PPG5 - Control status register Low	PCNL5	PCN5	R/W
0000AB _H	PPG5 - Control status register High	PCNH5		R/W
0000AC _H	I2C0 - Bus Status Register	IBSR0		R
0000AD _H	I2C0 - Bus Control Register	IBCR0		R/W
0000AE _H	I2C0 - Ten bit Slave address Register Low	ITBAL0	ITBA0	R/W
0000AF _H	I2C0 - Ten bit Slave address Register High	ITBAH0		R/W


Table 4. I/O Map CY96(F)35x (5 / 21) (continued)

Address	Register	Abbreviation 8-bit Access	Abbreviation 16-bit Access	Access
0000B0 _H	I2C0 - Ten bit Address mask Register Low	ITMKL0	ITMK0	R/W
0000B1 _H	I2C0 - Ten bit Address mask Register High	ITMKH0		R/W
0000B2 _H	I2C0 - Seven bit Slave address Register	ISBA0		R/W
0000B3 _H	I2C0 - Seven bit Address mask Register	ISMK0		R/W
0000B4 _H	I2C0 - Data Register	IDAR0		R/W
0000B5 _H	I2C0 - Clock Control Register	ICCR0		R/W
0000B6 _H –0000D3 _H	Reserved			-
0000D4 _H	USART2 - Serial Mode Register	SMR2		R/W
0000D5 _H	USART2 - Serial Control Register	SCR2		R/W
0000D6 _H	USART2 - TX Register	TDR2		W
0000D6 _H	USART2 - RX Register	RDR2		R
0000D7 _H	USART2 - Serial Status	SSR2		R/W
0000D8 _H	USART2 - Control/Com. Register	ECCR2		R/W
0000D9 _H	USART2 - Ext. Status Register	ESCR2		R/W
0000DA _H	USART2 - Baud Rate Generator Register Low	BGRL2	BGR2	R/W
0000DB _H	USART2 - Baud Rate Generator Register High	BGRH2		R/W
0000DC _H	USART2 - Extended Serial Interrupt Register	ESIR2		R/W
0000DD _H	Reserved			-
0000DE _H	USART3 - Serial Mode Register	SMR3		R/W
0000DF _H	USART3 - Serial Control Register	SCR3		R/W
0000E0 _H	USART3 - TX Register	TDR3		W
0000E0 _H	USART3 - RX Register	RDR3		R
0000E1 _H	USART3 - Serial Status	SSR3		R/W
0000E2 _H	USART3 - Control/Com. Register	ECCR3		R/W
0000E3 _H	USART3 - Ext. Status Register	ESCR3		R/W
0000E4 _H	USART3 - Baud Rate Generator Register Low	BGRL3	BGR3	R/W
0000E5 _H	USART3 - Baud Rate Generator Register High	BGRH3		R/W
0000E6 _H	USART3 - Extended Serial Interrupt Register	ESIR3		R/W
0000E7 _H –0000EF _H	Reserved			-
0000F0 _H –0000FF _H	External Bus area	EXTBUS0		R/W
000100 _H	DMA0 - Buffer address pointer low byte	BAPL0		R/W
000101 _H	DMA0 - Buffer address pointer middle byte	BAPM0		R/W
000102 _H	DMA0 - Buffer address pointer high byte	BAPH0		R/W
000103 _H	DMA0 - DMA control register	DMACS0		R/W
000104 _H	DMA0 - I/O register address pointer low byte	IOAL0	IOA0	R/W
000105 _H	DMA0 - I/O register address pointer high byte	IOAH0		R/W
000106 _H	DMA0 - Data counter low byte	DCTL0	DCT0	R/W
000107 _H	DMA0 - Data counter high byte	DCTH0		R/W
000108 _H	DMA1 - Buffer address pointer low byte	BAPL1		R/W


Table 4. I/O Map CY96(F)35x (6 / 21) (continued)

Address	Register	Abbreviation 8-bit Access	Abbreviation 16-bit Access	Access
000109 _H	DMA1 - Buffer address pointer middle byte	BAPM1		R/W
00010A _H	DMA1 - Buffer address pointer high byte	BAPH1		R/W
00010B _H	DMA1 - DMA control register	DMACS1		R/W
00010C _H	DMA1 - I/O register address pointer low byte	IOAL1	IOA1	R/W
00010D _H	DMA1 - I/O register address pointer high byte	IOAH1		R/W
00010E _H	DMA1 - Data counter low byte	DCTL1	DCT1	R/W
00010F _H	DMA1 - Data counter high byte	DCTH1		R/W
000110 _H	DMA2 - Buffer address pointer low byte	BAPL2		R/W
000111 _H	DMA2 - Buffer address pointer middle byte	BAPM2		R/W
000112 _H	DMA2 - Buffer address pointer high byte	BAPH2		R/W
000113 _H	DMA2 - DMA control register	DMACS2		R/W
000114 _H	DMA2 - I/O register address pointer low byte	IOAL2	IOA2	R/W
000115 _H	DMA2 - I/O register address pointer high byte	IOAH2		R/W
000116 _H	DMA2 - Data counter low byte	DCTL2	DCT2	R/W
000117 _H	DMA2 - Data counter high byte	DCTH2		R/W
000118 _H	DMA3 - Buffer address pointer low byte	BAPL3		R/W
000119 _H	DMA3 - Buffer address pointer middle byte	BAPM3		R/W
00011A _H	DMA3 - Buffer address pointer high byte	BAPH3		R/W
00011B _H	DMA3 - DMA control register	DMACS3		R/W
00011C _H	DMA3 - I/O register address pointer low byte	IOAL3	IOA3	R/W
00011D _H	DMA3 - I/O register address pointer high byte	IOAH3		R/W
00011E _H	DMA3 - Data counter low byte	DCTL3	DCT3	R/W
00011F _H	DMA3 - Data counter high byte	DCTH3		R/W
000120 _H –00017F _H	Reserved			-
000180 _H –00037F _H	CPU - General Purpose registers (RAM access)	GPR_RAM		R/W
000380 _H	DMA0 - Interrupt select	DISEL0		R/W
000381 _H	DMA1 - Interrupt select	DISEL1		R/W
000382 _H	DMA2 - Interrupt select	DISEL2		R/W
000383 _H	DMA3 - Interrupt select	DISEL3		R/W
000384 _H –00038F _H	Reserved			—
000390 _H	DMA - Status register low byte	DSRL	DSR	R/W
000391 _H	DMA - Status register high byte	DSRH		R/W
000392 _H	DMA - Stop status register low byte	DSSRL	DSSR	R/W
000393 _H	DMA - Stop status register high byte	DSSRH		R/W
000394 _H	DMA - Enable register low byte	DERL	DER	R/W
000395 _H	DMA - Enable register high byte	DERH		R/W
000396 _H –00039F _H	Reserved			-
0003A0 _H	Interrupt level register	ILR	ICR	R/W
0003A1 _H	Interrupt index register	IDX		R/W



Table 4. I/O Map CY96(F)35x (7 / 21) (continued)

Address	Register	Abbreviation 8-bit Access	Abbreviation 16-bit Access	Access
0003A2 _H	Interrupt vector table base register Low	TBRL	TBR	R/W
0003A3 _H	Interrupt vector table base register High	TBRH		R/W
0003A4 _H	Delayed Interrupt register	DIRR		R/W
0003A5 _H	Non Maskable Interrupt register	NMI		R/W
0003A6 _H –0003AB _H	Reserved			-
0003AC _H	EDSU communication interrupt selection Low	EDSU2L	EDSU2	R/W
0003AD _H	EDSU communication interrupt selection High	EDSU2H		R/W
0003AE _H	ROM mirror control register	ROMM		R/W
0003AF _H	EDSU configuration register	EDSU		R/W
0003B0 _H	Memory patch control/status register ch 0/1		PFCS0	R/W
0003B1 _H	Memory patch control/status register ch 0/1			R/W
0003B2 _H	Memory patch control/status register ch 2/3		PFCS1	R/W
0003B3 _H	Memory patch control/status register ch 2/3			R/W
0003B4 _H	Memory patch control/status register ch 4/5		PFCS2	R/W
0003B5 _H	Memory patch control/status register ch 4/5			R/W
0003B6 _H	Memory patch control/status register ch 6/7		PFCS3	R/W
0003B7 _H	Memory patch control/status register ch 6/7			R/W
0003B8 _H	Memory Patch function - Patch address 0 low	PFAL0		R/W
0003B9 _H	Memory Patch function - Patch address 0 middle	PFAM0		R/W
0003BA _H	Memory Patch function - Patch address 0 high	PFAH0		R/W
0003BB _H	Memory Patch function - Patch address 1 low	PFAL1		R/W
0003BC _H	Memory Patch function - Patch address 1 middle	PFAM1		R/W
0003BD _H	Memory Patch function - Patch address 1 high	PFAH1		R/W
0003BE _H	Memory Patch function - Patch address 2 low	PFAL2		R/W
0003BF _H	Memory Patch function - Patch address 2 middle	PFAM2		R/W
0003C0 _H	Memory Patch function - Patch address 2 high	PFAH2		R/W
0003C1 _H	Memory Patch function - Patch address 3 low	PFAL3		R/W
0003C2 _H	Memory Patch function - Patch address 3 middle	PFAM3		R/W
0003C3 _H	Memory Patch function - Patch address 3 high	PFAH3		R/W
0003C4 _H	Memory Patch function - Patch address 4 low	PFAL4		R/W
0003C5 _H	Memory Patch function - Patch address 4 middle	PFAM4		R/W
0003C6 _H	Memory Patch function - Patch address 4 high	PFAH4		R/W
0003C7 _H	Memory Patch function - Patch address 5 low	PFAL5		R/W
0003C8 _H	Memory Patch function - Patch address 5 middle	PFAM5		R/W
0003C9 _H	Memory Patch function - Patch address 5 high	PFAH5		R/W
0003CA _H	Memory Patch function - Patch address 6 low	PFAL6		R/W
0003CB _H	Memory Patch function - Patch address 6 middle	PFAM6		R/W
0003CC _H	Memory Patch function - Patch address 6 high	PFAH6		R/W
0003CD _H	Memory Patch function - Patch address 7 low	PFAL7		R/W



Table 4. I/O Map CY96(F)35x (8 / 21) (continued)

Address	Register	Abbreviation 8-bit Access	Abbreviation 16-bit Access	Access
0003CE _H	Memory Patch function - Patch address 7 middle	PFAM7		R/W
0003CF _H	Memory Patch function - Patch address 7 high	PFAH7		R/W
0003D0 _H	Memory Patch function - Patch data 0 Low	PFDL0	PFD0	R/W
0003D1 _H	Memory Patch function - Patch data 0 High	PFDH0		R/W
0003D2 _H	Memory Patch function - Patch data 1 Low	PFDL1	PFD1	R/W
0003D3 _H	Memory Patch function - Patch data 1 High	PFDH1		R/W
0003D4 _H	Memory Patch function - Patch data 2 Low	PFDL2	PFD2	R/W
0003D5 _H	Memory Patch function - Patch data 2 High	PFDH2		R/W
0003D6 _H	Memory Patch function - Patch data 3 Low	PFDL3	PFD3	R/W
0003D7 _H	Memory Patch function - Patch data 3 High	PFDH3		R/W
0003D8 _H	Memory Patch function - Patch data 4 Low	PFDL4	PFD4	R/W
0003D9 _H	Memory Patch function - Patch data 4 High	PFDH4		R/W
0003DA _H	Memory Patch function - Patch data 5 Low	PFDL5	PFD5	R/W
0003DB _H	Memory Patch function - Patch data 5 High	PFDH5		R/W
0003DC _H	Memory Patch function - Patch data 6 Low	PFDL6	PFD6	R/W
0003DD _H	Memory Patch function - Patch data 6 High	PFDH6		R/W
0003DE _H	Memory Patch function - Patch data 7 Low	PFDL7	PFD7	R/W
0003DF _H	Memory Patch function - Patch data 7 High	PFDH7		R/W
0003E0 _H –0003F0 _H	Reserved			-
0003F1 _H	Memory Control Status Register A	MCSRA		R/W
0003F2 _H	Memory Timing Configuration Register A Low	MTCRAL	MTCRA	R/W
0003F3 _H	Memory Timing Configuration Register A High	MTCRAH		R/W
0003F4 _H –0003F8 _H	Reserved			-
0003F9 _H	Flash Memory Write Control register 1	FMWC1		R/W
0003FA _H	Flash Memory Write Control register 2	FMWC2		R/W
0003FB _H	Flash Memory Write Control register 3	FMWC3		R/W
0003FC _H	Flash Memory Write Control register 4	FMWC4		R/W
0003FD _H	Flash Memory Write Control register 5	FMWC5		R/W
0003FE _H –0003FF _H	Reserved			-
000400 _H	Standby Mode control register	SMCR		R/W
000401 _H	Clock select register	CKSR		R/W
000402 _H	Clock Stabilization select register	CKSSR		R/W
000403 _H	Clock monitor register	CKMR		R
000404 _H	Clock Frequency control register Low	CKFCRL	CKFCR	R/W
000405 _H	Clock Frequency control register High	CKFCRH		R/W
000406 _H	PLL Control register Low	PLLCRL	PLLCR	R/W
000407 _H	PLL Control register High	PLLCRH		R/W
000408 _H	RC clock timer control register	RCTCR		R/W
000409 _H	Main clock timer control register	MCTCR		R/W


Table 4. I/O Map CY96(F)35x (9 / 21) (continued)

Address	Register	Abbreviation 8-bit Access	Abbreviation 16-bit Access	Access
00040A _H	Sub clock timer control register	SCTCR		R/W
00040B _H	Reset cause and clock status register with clear function	RCCSRC		R
00040C _H	Reset configuration register	RRCR		R/W
00040D _H	Reset cause and clock status register	RCCSR		R
00040E _H	Watch dog timer configuration register	WDTC		R/W
00040F _H	Watch dog timer clear pattern register	WDTCP		W
000410 _H –000414 _H	Reserved			-
000415 _H	Clock output activation register	COAR		R/W
000416 _H	Clock output configuration register 0	COCR0		R/W
000417 _H	Clock output configuration register 1	COCR1		R/W
000418 _H	Clock Modulator control register	CMCR		R/W
000419 _H	Reserved			-
00041A _H	Clock Modulator Parameter register Low	CMPRL	CMPR	R/W
00041B _H	Clock Modulator Parameter register High	CMPRH		R/W
00041C _H –00042B _H	Reserved			-
00042C _H	Voltage Regulator Control register	VRRCR		R/W
00042D _H	Clock Input and LVD Control Register	CILCR		R/W
00042E _H –00042F _H	Reserved			-
000430 _H	I/O Port P00 - Data Direction Register	DDR00		R/W
000431 _H	I/O Port P01 - Data Direction Register	DDR01		R/W
000432 _H	I/O Port P02 - Data Direction Register	DDR02		R/W
000433 _H	I/O Port P03 - Data Direction Register	DDR03		R/W
000434 _H	I/O Port P04 - Data Direction Register	DDR04		R/W
000435 _H	I/O Port P05 - Data Direction Register	DDR05		R/W
000436 _H	I/O Port P06 - Data Direction Register	DDR06		R/W
000437 _H –000443 _H	Reserved			-
000444 _H	I/O Port P00 - Port Input Enable Register	PIER00		R/W
000445 _H	I/O Port P01 - Port Input Enable Register	PIER01		R/W
000446 _H	I/O Port P02 - Port Input Enable Register	PIER02		R/W
000447 _H	I/O Port P03 - Port Input Enable Register	PIER03		R/W
000448 _H	I/O Port P04 - Port Input Enable Register	PIER04		R/W
000449 _H	I/O Port P05 - Port Input Enable Register	PIER05		R/W
00044A _H	I/O Port P06 - Port Input Enable Register	PIER06		R/W
00044B _H –000457 _H	Reserved			-
000458 _H	I/O Port P00 - Port Input Level Register	PILR00		R/W
000459 _H	I/O Port P01 - Port Input Level Register	PILR01		R/W
00045A _H	I/O Port P02 - Port Input Level Register	PILR02		R/W
00045B _H	I/O Port P03 - Port Input Level Register	PILR03		R/W
00045C _H	I/O Port P04 - Port Input Level Register	PILR04		R/W


Table 4. I/O Map CY96(F)35x (10 / 21) (continued)

Address	Register	Abbreviation 8-bit Access	Abbreviation 16-bit Access	Access
00045D _H	I/O Port P05 - Port Input Level Register	PILR05		R/W
00045E _H	I/O Port P06 - Port Input Level Register	PILR06		R/W
00045F _H –00046B _H	Reserved			-
00046C _H	I/O Port P00 - Extended Port Input Level Register	EPILR00		R/W
00046D _H	I/O Port P01 - Extended Port Input Level Register	EPILR01		R/W
00046E _H	I/O Port P02 - Extended Port Input Level Register	EPILR02		R/W
00046F _H	I/O Port P03 - Extended Port Input Level Register	EPILR03		R/W
000470 _H	I/O Port P04 - Extended Port Input Level Register	EPILR04		R/W
000471 _H	I/O Port P05 - Extended Port Input Level Register	EPILR05		R/W
000472 _H	I/O Port P06 - Extended Port Input Level Register	EPILR06		R/W
000473 _H –00047F _H	Reserved			-
000480 _H	I/O Port P00 - Port Output Drive Register	PODR00		R/W
000481 _H	I/O Port P01 - Port Output Drive Register	PODR01		R/W
000482 _H	I/O Port P02 - Port Output Drive Register	PODR02		R/W
000483 _H	I/O Port P03 - Port Output Drive Register	PODR03		R/W
000484 _H	I/O Port P04 - Port Output Drive Register	PODR04		R/W
000485 _H	I/O Port P05 - Port Output Drive Register	PODR05		R/W
000486 _H	I/O Port P06 - Port Output Drive Register	PODR06		R/W
000487 _H –0004A7 _H	Reserved			-
0004A8 _H	I/O Port P00 - Pull-Up resistor Control Register	PUCR00		R/W
0004A9 _H	I/O Port P01 - Pull-Up resistor Control Register	PUCR01		R/W
0004AA _H	I/O Port P02 - Pull-Up resistor Control Register	PUCR02		R/W
0004AB _H	I/O Port P03 - Pull-Up resistor Control Register	PUCR03		R/W
0004AC _H	I/O Port P04 - Pull-Up resistor Control Register	PUCR04		R/W
0004AD _H	I/O Port P05 - Pull-Up resistor Control Register	PUCR05		R/W
0004AE _H	I/O Port P06 - Pull-Up resistor Control Register	PUCR06		R/W
0004AF _H –0004BB _H	Reserved			-
0004BC _H	I/O Port P00 - External Pin State Register	EPSR00		R
0004BD _H	I/O Port P01 - External Pin State Register	EPSR01		R
0004BE _H	I/O Port P02 - External Pin State Register	EPSR02		R
0004BF _H	I/O Port P03 - External Pin State Register	EPSR03		R
0004C0 _H	I/O Port P04 - External Pin State Register	EPSR04		R
0004C1 _H	I/O Port P05 - External Pin State Register	EPSR05		R
0004C2 _H	I/O Port P06 - External Pin State Register	EPSR06		R
0004C3 _H –0004CF _H	Reserved			-
0004D0 _H	ADC analog input enable register 0	ADER0		R/W
0004D1 _H	ADC analog input enable register 1	ADER1		R/W
0004D2 _H	ADC analog input enable register 2	ADER2		R/W
0004D3 _H	ADC analog input enable register 3	ADER3		R/W


Table 4. I/O Map CY96(F)35x (11 / 21) (continued)

Address	Register	Abbreviation 8-bit Access	Abbreviation 16-bit Access	Access
0004D4 _H	ADC analog input enable register 4	ADER4		R/W
0004D5 _H	Reserved			-
0004D6 _H	Peripheral Resource Relocation Register 0	PRRR0		R/W
0004D7 _H	Peripheral Resource Relocation Register 1	PRRR1		R/W
0004D8 _H	Peripheral Resource Relocation Register 2	PRRR2		R/W
0004D9 _H	Peripheral Resource Relocation Register 3	PRRR3		R/W
0004DA _H	Peripheral Resource Relocation Register 4	PRRR4		R/W
0004DB _H	Peripheral Resource Relocation Register 5	PRRR5		R/W
0004DC _H	Peripheral Resource Relocation Register 6	PRRR6		R/W
0004DD _H	Peripheral Resource Relocation Register 7	PRRR7		R/W
0004DE _H	Peripheral Resource Relocation Register 8	PRRR8		R/W
0004DF _H	Peripheral Resource Relocation Register 9	PRRR9		R/W
0004E0 _H	RTC - Sub Second Register L	WTBRL0	WTBR0	R/W
0004E1 _H	RTC - Sub Second Register M	WTBRH0		R/W
0004E2 _H	RTC - Sub-Second Register H	WTBR1		R/W
0004E3 _H	RTC - Second Register	WTSR		R/W
0004E4 _H	RTC - Minutes	WTMR		R/W
0004E5 _H	RTC - Hour	WTHR		R/W
0004E6 _H	RTC - Timer Control Extended Register	WTCEER		R/W
0004E7 _H	RTC - Clock select register	WTCKSR		R/W
0004E8 _H	RTC - Timer Control Register Low	WTCRL	WTCR	R/W
0004E9 _H	RTC - Timer Control Register High	WTCRH		R/W
0004EA _H	CAL - Calibration unit Control register	CUCR		R/W
0004EB _H	Reserved			-
0004EC _H	CAL - Duration Timer Data Register Low	CUTDL	CUTD	R/W
0004ED _H	CAL - Duration Timer Data Register High	CUTDH		R/W
0004EE _H	CAL - Calibration Timer Register 2 Low	CUTR2L	CUTR2	R
0004EF _H	CAL - Calibration Timer Register 2 High	CUTR2H		R
0004F0 _H	CAL - Calibration Timer Register 1 Low	CUTR1L	CUTR1	R
0004F1 _H	CAL - Calibration Timer Register 1 High	CUTR1H		R
0004F2 _H –0004F9 _H	Reserved			-
0004FA _H	RLT - Timer input select (for Cascading)	TMISR		R/W
0004FB _H –0004FF _H	Reserved			-
000500 _H	FRT2 - Data register of free-running timer		TCDT2	R/W
000501 _H	FRT2 - Data register of free-running timer			R/W
000502 _H	FRT2 - Control status register of free-running timer Low	TCCSL2	TCCS2	R/W
000503 _H	FRT2 - Control status register of free-running timer High	TCCSH2		R/W
000504 _H	FRT3 - Data register of free-running timer		TCDT3	R/W
000505 _H	FRT3 - Data register of free-running timer			R/W


Table 4. I/O Map CY96(F)35x (12 / 21) (continued)

Address	Register	Abbreviation 8-bit Access	Abbreviation 16-bit Access	Access
000506 _H	FRT3 - Control status register of free-running timer Low	TCCSL3	TCCS3	R/W
000507 _H	FRT3 - Control status register of free-running timer High	TCCSH3		R/W
000508 _H –000513 _H	Reserved			-
000514 _H	ICU8/ICU9 - Control Status Register	ICS89		R/W
000515 _H	ICU8/ICU9 - Edge Register	ICE89		R/W
000516 _H	ICU8 - Capture Register Low	IPCPL8	IPCP8	R
000517 _H	ICU8 - Capture Register High	IPCPH8		R
000518 _H	ICU9 - Capture Register Low	IPCPL9	IPCP9	R
000519 _H	ICU9 - Capture Register High	IPCPH9		R
00051A _H	ICU10/ICU11 - Control Status Register	ICS1011		R/W
00051B _H	ICU10/ICU11 - Edge Register	ICE1011		R/W
00051C _H	ICU10 - Capture Register Low	IPCPL10	IPCP10	R
00051D _H	ICU10 - Capture Register High	IPCPH10		R
00051E _H	ICU11 - Capture Register Low	IPCPL11	IPCP11	R
00051F _H	ICU11 - Capture Register High	IPCPH11		R
000520 _H –00053D _H	Reserved			-
00053E _H	USART7 - Serial Mode Register	SMR7		R/W
00053F _H	USART7 - Serial Control Register	SCR7		R/W
000540 _H	USART7 - Serial TX Register	TDR7		W
000540 _H	USART7 - Serial RX Register	RDR7		R
000541 _H	USART7 - Serial Status Register	SSR7		R/W
000542 _H	USART7 - Ext. Control/Com. Register	ECCR7		R/W
000543 _H	USART7 - Ext. Status Com. Register	ESCR7		R/W
000544 _H	USART7 - Baud Rate Generator Register Low	BGRL7	BGR7	R/W
000545 _H	USART7 - Baud Rate Generator Register High	BGRH7		R/W
000546 _H	USART7 - Extended Serial Interrupt Register	ESIR7		R/W
000547 _H	Reserved			-
000548 _H	USART8 - Serial Mode Register	SMR8		R/W
000549 _H	USART8 - Serial Control Register	SCR8		R/W
00054A _H	USART8 - Serial TX Register	TDR8		W
00054A _H	USART8 - Serial RX Register	RDR8		R
00054B _H	USART8 - Serial Status Register	SSR8		R/W
00054C _H	USART8 - Ext. Control/Com. Register	ECCR8		R/W
00054D _H	USART8 - Ext. Status Com. Register	ESCR8		R/W
00054E _H	USART8 - Baud Rate Generator Register Low	BGRL8	BGR8	R/W
00054F _H	USART8 - Baud Rate Generator Register High	BGRH8		R/W
000550 _H	USART8 - Extended Serial Interrupt Register	ESIR8		R/W
000551 _H –000563 _H	Reserved			-
000564 _H	PPG6 - Timer register		PTMR6	R



Table 4. I/O Map CY96(F)35x (13 / 21) (continued)

Address	Register	Abbreviation 8-bit Access	Abbreviation 16-bit Access	Access
000565 _H	PPG6 - Timer register			R
000566 _H	PPG6 - Period setting register		PCSR6	W
000567 _H	PPG6 - Period setting register			W
000568 _H	PPG6 - Duty cycle register		PDUT6	W
000569 _H	PPG6 - Duty cycle register			W
00056A _H	PPG6 - Control status register Low	PCNL6	PCN6	R/W
00056B _H	PPG6 - Control status register High	PCNH6		R/W
00056C _H	PPG7 - Timer register		PTMR7	R
00056D _H	PPG7 - Timer register			R
00056E _H	PPG7 - Period setting register		PCSR7	W
00056F _H	PPG7 - Period setting register			W
000570 _H	PPG7 - Duty cycle register		PDUT7	W
000571 _H	PPG7 - Duty cycle register			W
000572 _H	PPG7 - Control status register Low	PCNL7	PCN7	R/W
000573 _H	PPG7 - Control status register High	PCNH7		R/W
000574 _H	PPG11–PPG8 - General Control register 1 Low	GCN1L2	GCN12	R/W
000575 _H	PPG11–PPG8 - General Control register 1 High	GCN1H2		R/W
000576 _H	PPG11–PPG8 - General Control register 2 Low	GCN2L2	GCN22	R/W
000577 _H	PPG11–PPG8 - General Control register 2 High	GCN2H2		R/W
000578 _H	PPG8 - Timer register		PTMR8	R
000579 _H	PPG8 - Timer register			R
00057A _H	PPG8 - Period setting register		PCSR8	W
00057B _H	PPG8 - Period setting register			W
00057C _H	PPG8 - Duty cycle register		PDUT8	W
00057D _H	PPG8 - Duty cycle register			W
00057E _H	PPG8 - Control status register Low	PCNL8	PCN8	R/W
00057F _H	PPG8 - Control status register High	PCNH8		R/W
000580 _H	PPG9 - Timer register		PTMR9	R
000581 _H	PPG9 - Timer register			R
000582 _H	PPG9 - Period setting register		PCSR9	W
000583 _H	PPG9 - Period setting register			W
000584 _H	PPG9 - Duty cycle register		PDUT9	W
000585 _H	PPG9 - Duty cycle register			W
000586 _H	PPG9 - Control status register Low	PCNL9	PCN9	R/W
000587 _H	PPG9 - Control status register High	PCNH9		R/W
000588 _H	PPG10 - Timer register		PTMR10	R
000589 _H	PPG10 - Timer register			R
00058A _H	PPG10 - Period setting register		PCSR10	W
00058B _H	PPG10 - Period setting register			W



Table 4. I/O Map CY96(F)35x (14 / 21) (continued)

Address	Register	Abbreviation 8-bit Access	Abbreviation 16-bit Access	Access
00058C _H	PPG10 - Duty cycle register		PDUT10	W
00058D _H	PPG10 - Duty cycle register			W
00058E _H	PPG10 - Control status register Low	PCNL10	PCN10	R/W
00058F _H	PPG10 - Control status register High	PCNH10		R/W
000590 _H	PPG11 - Timer register		PTMR11	R
000591 _H	PPG11 - Timer register			R
000592 _H	PPG11 - Period setting register		PCSR11	W
000593 _H	PPG11 - Period setting register			W
000594 _H	PPG11 - Duty cycle register		PDUT11	W
000595 _H	PPG11 - Duty cycle register			W
000596 _H	PPG11 - Control status register Low	PCNL11	PCN11	R/W
000597 _H	PPG11 - Control status register High	PCNH11		R/W
000598 _H	PPG15–PPG12 - General Control register 1 Low	GCN1L3	GCN13	R/W
000599 _H	PPG15–PPG12 - General Control register 1 High	GCN1H3		R/W
00059A _H	PPG15–PPG12 - General Control register 2 Low	GCN2L3	GCN23	R/W
00059B _H	PPG15–PPG12 - General Control register 2 High	GCN2H3		R/W
00059C _H	PPG12 - Timer register		PTMR12	R
00059D _H	PPG12 - Timer register			R
00059E _H	PPG12 - Period setting register		PCSR12	W
00059F _H	PPG12 - Period setting register			W
0005A0 _H	PPG12 - Duty cycle register		PDUT12	W
0005A1 _H	PPG12 - Duty cycle register			W
0005A2 _H	PPG12 - Control status register Low	PCNL12	PCN12	R/W
0005A3 _H	PPG12 - Control status register High	PCNH12		R/W
0005A4 _H	PPG13 - Timer register		PTMR13	R
0005A5 _H	PPG13 - Timer register			R
0005A6 _H	PPG13 - Period setting register		PCSR13	W
0005A7 _H	PPG13 - Period setting register			W
0005A8 _H	PPG13 - Duty cycle register		PDUT13	W
0005A9 _H	PPG13 - Duty cycle register			W
0005AA _H	PPG13 - Control status register Low	PCNL13	PCN13	R/W
0005AB _H	PPG13 - Control status register High	PCNH13		R/W
0005AC _H	PPG14 - Timer register		PTMR14	R
0005AD _H	PPG14 - Timer register			R
0005AE _H	PPG14 - Period setting register		PCSR14	W
0005AF _H	PPG14 - Period setting register			W
0005B0 _H	PPG14 - Duty cycle register		PDUT14	W
0005B1 _H	PPG14 - Duty cycle register			W
0005B2 _H	PPG14 - Control status register Low	PCNL14	PCN14	R/W



Table 4. I/O Map CY96(F)35x (15 / 21) (continued)

Address	Register	Abbreviation 8-bit Access	Abbreviation 16-bit Access	Access
0005B3 _H	PPG14 - Control status register High	PCNH14		R/W
0005B4 _H	PPG15 - Timer register		PTMR15	R
0005B5 _H	PPG15 - Timer register			R
0005B6 _H	PPG15 - Period setting register		PCSR15	W
0005B7 _H	PPG15 - Period setting register			W
0005B8 _H	PPG15 - Duty cycle register		PDUT15	W
0005B9 _H	PPG15 - Duty cycle register			W
0005BA _H	PPG15 - Control status register Low	PCNL15	PCN15	R/W
0005BB _H	PPG15 - Control status register High	PCNH15		R/W
0005BC _H	PPG19–PPG16 - General Control register 1 Low	GCN1L4	GCN14	R/W
0005BD _H	PPG19–PPG16 - General Control register 1 High	GCN1H4		R/W
0005BE _H	PPG19–PPG16 - General Control register 2 Low	GCN2L4	GCN24	R/W
0005BF _H	PPG19–PPG16 - General Control register 2 High	GCN2H4		R/W
0005C0 _H	PPG16 - Timer register		PTMR16	R
0005C1 _H	PPG16 - Timer register			R
0005C2 _H	PPG16 - Period setting register		PCSR16	W
0005C3 _H	PPG16 - Period setting register			W
0005C4 _H	PPG16 - Duty cycle register		PDUT16	W
0005C5 _H	PPG16 - Duty cycle register			W
0005C6 _H	PPG16 - Control status register Low	PCNL16	PCN16	R/W
0005C7 _H	PPG16 - Control status register High	PCNH16		R/W
0005C8 _H	PPG17 - Timer register		PTMR17	R
0005C9 _H	PPG17 - Timer register			R
0005CA _H	PPG17 - Period setting register		PCSR17	W
0005CB _H	PPG17 - Period setting register			W
0005CC _H	PPG17 - Duty cycle register		PDUT17	W
0005CD _H	PPG17 - Duty cycle register			W
0005CE _H	PPG17 - Control status register Low	PCNL17	PCN17	R/W
0005CF _H	PPG17 - Control status register High	PCNH17		R/W
0005D0 _H	PPG18 - Timer register		PTMR18	R
0005D1 _H	PPG18 - Timer register			R
0005D2 _H	PPG18 - Period setting register		PCSR18	W
0005D3 _H	PPG18 - Period setting register			W
0005D4 _H	PPG18 - Duty cycle register		PDUT18	W
0005D5 _H	PPG18 - Duty cycle register			W
0005D6 _H	PPG18 - Control status register Low	PCNL18	PCN18	R/W
0005D7 _H	PPG18 - Control status register High	PCNH18		R/W
0005D8 _H	PPG19 - Timer register		PTMR19	R
0005D9 _H	PPG19 - Timer register			R



Table 4. I/O Map CY96(F)35x (16 / 21) (continued)

Address	Register	Abbreviation 8-bit Access	Abbreviation 16-bit Access	Access
0005DA _H	PPG19 - Period setting register		PCSR19	W
0005DB _H	PPG19 - Period setting register			W
0005DC _H	PPG19 - Duty cycle register		PDUT19	W
0005DD _H	PPG19 - Duty cycle register			W
0005DE _H	PPG19 - Control status register Low	PCNL19	PCN19	R/W
0005DF _H	PPG19 - Control status register High	PCNH19		R/W
0005E0 _H –00065F _H	Reserved			-
000660 _H	Peripheral Resource Relocation Register 10	PRRR10		R/W
000661 _H	Peripheral Resource Relocation Register 11	PRRR11		R/W
000662 _H	Peripheral Resource Relocation Register 12	PRRR12		R/W
000663 _H	Peripheral Resource Relocation Register 13	PRRR13		W
000664 _H –0006DF _H	Reserved			-
0006E0 _H	External Bus - Area configuration register 0 Low	EACL0	EAC0	R/W
0006E1 _H	External Bus - Area configuration register 0 High	EACH0		R/W
0006E2 _H	External Bus - Area configuration register 1 Low	EACL1	EAC1	R/W
0006E3 _H	External Bus - Area configuration register 1 High	EACH1		R/W
0006E4 _H	External Bus - Area configuration register 2 Low	EACL2	EAC2	R/W
0006E5 _H	External Bus - Area configuration register 2 High	EACH2		R/W
0006E6 _H	External Bus - Area configuration register 3 Low	EACL3	EAC3	R/W
0006E7 _H	External Bus - Area configuration register 3 High	EACH3		R/W
0006E8 _H	External Bus - Area configuration register 4 Low	EACL4	EAC4	R/W
0006E9 _H	External Bus - Area configuration register 4 High	EACH4		R/W
0006EA _H	External Bus - Area configuration register 5 Low	EACL5	EAC5	R/W
0006EB _H	External Bus - Area configuration register 5 High	EACH5		R/W
0006EC _H	External Bus - Area select register 2	EAS2		R/W
0006ED _H	External Bus - Area select register 3	EAS3		R/W
0006EE _H	External Bus - Area select register 4	EAS4		R/W
0006EF _H	External Bus - Area select register 5	EAS5		R/W
0006F0 _H	External Bus - Mode register	EBM		R/W
0006F1 _H	External Bus - Clock and Function register	EBCF		R/W
0006F2 _H	External Bus - Address output enable register 0	EBAE0		R/W
0006F3 _H	External Bus - Address output enable register 1	EBAE1		R/W
0006F4 _H	External Bus - Address output enable register 2	EBAE2		R/W
0006F5 _H	External Bus - Control signal register	EBCS		R/W
0006F6 _H –0007FF _H	Reserved			-
000800 _H	CAN1 - Control register Low	CTRLRL1	CTRLR1	R/W
000801 _H	CAN1 - Control register High (reserved)	CTRLRH1		R
000802 _H	CAN1 - Status register Low	STATRL1	STATR1	R/W
000803 _H	CAN1 - Status register High (reserved)	STATRH1		R



Table 4. I/O Map CY96(F)35x (17 / 21) (continued)

Address	Register	Abbreviation 8-bit Access	Abbreviation 16-bit Access	Access
000804 _H	CAN1 - Error Counter Low (Transmit)	ERRCNTL1	ERRCNT1	R
000805 _H	CAN1 - Error Counter High (Receive)	ERRCNTH1		R
000806 _H	CAN1 - Bit Timing Register Low	BTRL1	BTR1	R/W
000807 _H	CAN1 - Bit Timing Register High	BTRH1		R/W
000808 _H	CAN1 - Interrupt Register Low	INTRL1	INTR1	R
000809 _H	CAN1 - Interrupt Register High	INTRH1		R
00080A _H	CAN1 - Test Register Low	TESTRL1	TESTR1	R/W
00080B _H	CAN1 - Test Register High (reserved)	TESTRH1		R
00080C _H	CAN1 - BRP Extension register Low	BRPERL1	BRPER1	R/W
00080D _H	CAN1 - BRP Extension register High (reserved)	BRPERH1		R
00080E _H –00080F _H	Reserved			-
000810 _H	CAN1 - IF1 Command request register Low	IF1CREQL1	IF1CREQ1	R/W
000811 _H	CAN1 - IF1 Command request register High	IF1CREQH1		R/W
000812 _H	CAN1 - IF1 Command Mask register Low	IF1CMSKL1	IF1CMSK1	R/W
000813 _H	CAN1 - IF1 Command Mask register High (reserved)	IF1CMSKH1		R
000814 _H	CAN1 - IF1 Mask 1 Register Low	IF1MSK1L1	IF1MSK11	R/W
000815 _H	CAN1 - IF1 Mask 1 Register High	IF1MSK1H1		R/W
000816 _H	CAN1 - IF1 Mask 2 Register Low	IF1MSK2L1	IF1MSK21	R/W
000817 _H	CAN1 - IF1 Mask 2 Register High	IF1MSK2H1		R/W
000818 _H	CAN1 - IF1 Arbitration 1 Register Low	IF1ARB1L1	IF1ARB11	R/W
000819 _H	CAN1 - IF1 Arbitration 1 Register High	IF1ARB1H1		R/W
00081A _H	CAN1 - IF1 Arbitration 2 Register Low	IF1ARB2L1	IF1ARB21	R/W
00081B _H	CAN1 - IF1 Arbitration 2 Register High	IF1ARB2H1		R/W
00081C _H	CAN1 - IF1 Message Control Register Low	IF1MCTRL1	IF1MCTR1	R/W
00081D _H	CAN1 - IF1 Message Control Register High	IF1MCTRH1		R/W
00081E _H	CAN1 - IF1 Data A1 Low	IF1DTA1L1	IF1DTA11	R/W
00081F _H	CAN1 - IF1 Data A1 High	IF1DTA1H1		R/W
000820 _H	CAN1 - IF1 Data A2 Low	IF1DTA2L1	IF1DTA21	R/W
000821 _H	CAN1 - IF1 Data A2 High	IF1DTA2H1		R/W
000822 _H	CAN1 - IF1 Data B1 Low	IF1DTB1L1	IF1DTB11	R/W
000823 _H	CAN1 - IF1 Data B1 High	IF1DTB1H1		R/W
000824 _H	CAN1 - IF1 Data B2 Low	IF1DTB2L1	IF1DTB21	R/W
000825 _H	CAN1 - IF1 Data B2 High	IF1DTB2H1		R/W
000826 _H –00083F _H	Reserved			-
000840 _H	CAN1 - IF2 Command request register Low	IF2CREQL1	IF2CREQ1	R/W
000841 _H	CAN1 - IF2 Command request register High	IF2CREQH1		R/W
000842 _H	CAN1 - IF2 Command Mask register Low	IF2CMSKL1	IF2CMSK1	R/W
000843 _H	CAN1 - IF2 Command Mask register High (reserved)	IF2CMSKH1		R
000844 _H	CAN1 - IF2 Mask 1 Register Low	IF2MSK1L1	IF2MSK11	R/W



Table 4. I/O Map CY96(F)35x (18 / 21) (continued)

Address	Register	Abbreviation 8-bit Access	Abbreviation 16-bit Access	Access
000845 _H	CAN1 - IF2 Mask 1 Register High	IF2MSK1H1		R/W
000846 _H	CAN1 - IF2 Mask 2 Register Low	IF2MSK2L1	IF2MSK21	R/W
000847 _H	CAN1 - IF2 Mask 2 Register High	IF2MSK2H1		R/W
000848 _H	CAN1 - IF2 Arbitration 1 Register Low	IF2ARB1L1	IF2ARB11	R/W
000849 _H	CAN1 - IF2 Arbitration 1 Register High	IF2ARB1H1		R/W
00084A _H	CAN1 - IF2 Arbitration 2 Register Low	IF2ARB2L1	IF2ARB21	R/W
00084B _H	CAN1 - IF2 Arbitration 2 Register High	IF2ARB2H1		R/W
00084C _H	CAN1 - IF2 Message Control Register Low	IF2MCTRL1	IF2MCTR1	R/W
00084D _H	CAN1 - IF2 Message Control Register High	IF2MCTRH1		R/W
00084E _H	CAN1 - IF2 Data A1 Low	IF2DTA1L1	IF2DTA11	R/W
00084F _H	CAN1 - IF2 Data A1 High	IF2DTA1H1		R/W
000850 _H	CAN1 - IF2 Data A2 Low	IF2DTA2L1	IF2DTA21	R/W
000851 _H	CAN1 - IF2 Data A2 High	IF2DTA2H1		R/W
000852 _H	CAN1 - IF2 Data B1 Low	IF2DTB1L1	IF2DTB11	R/W
000853 _H	CAN1 - IF2 Data B1 High	IF2DTB1H1		R/W
000854 _H	CAN1 - IF2 Data B2 Low	IF2DTB2L1	IF2DTB21	R/W
000855 _H	CAN1 - IF2 Data B2 High	IF2DTB2H1		R/W
000856 _H –00087F _H	Reserved			-
000880 _H	CAN1 - Transmission Request 1 Register Low	TREQR1L1	TREQR11	R
000881 _H	CAN1 - Transmission Request 1 Register High	TREQR1H1		R
000882 _H	CAN1 - Transmission Request 2 Register Low	TREQR2L1	TREQR21	R
000883 _H	CAN1 - Transmission Request 2 Register High	TREQR2H1		R
000884 _H –00088F _H	Reserved			-
000890 _H	CAN1 - New Data 1 Register Low	NEWDT1L1	NEWDT11	R
000891 _H	CAN1 - New Data 1 Register High	NEWDT1H1		R
000892 _H	CAN1 - New Data 2 Register Low	NEWDT2L1	NEWDT21	R
000893 _H	CAN1 - New Data 2 Register High	NEWDT2H1		R
000894 _H –00089F _H	Reserved			-
0008A0 _H	CAN1 - Interrupt Pending 1 Register Low	INTPND1L1	INTPND11	R
0008A1 _H	CAN1 - Interrupt Pending 1 Register High	INTPND1H1		R
0008A2 _H	CAN1 - Interrupt Pending 2 Register Low	INTPND2L1	INTPND21	R
0008A3 _H	CAN1 - Interrupt Pending 2 Register High	INTPND2H1		R
0008A4 _H –0008AF _H	Reserved			-
0008B0 _H	CAN1 - Message Valid 1 Register Low	MSGVAL1L1	MSGVAL11	R
0008B1 _H	CAN1 - Message Valid 1 Register High	MSGVAL1H1		R
0008B2 _H	CAN1 - Message Valid 2 Register Low	MSGVAL2L1	MSGVAL21	R
0008B3 _H	CAN1 - Message Valid 2 Register High	MSGVAL2H1		R
0008B4 _H –0008CD _H	Reserved			-
0008CE _H	CAN1 - Output enable register	COER1		R/W


Table 4. I/O Map CY96(F)35x (19 / 21) (continued)

Address	Register	Abbreviation 8-bit Access	Abbreviation 16-bit Access	Access
0008CF _H –0008FF _H	Reserved			-
000900 _H	CAN2 - Control register Low	CTRLRL2	CTRLR2	R/W
000901 _H	CAN2 - Control register High (reserved)	CTRLRH2		R
000902 _H	CAN2 - Status register Low	STATRL2	STATR2	R/W
000903 _H	CAN2 - Status register High (reserved)	STATRH2		R
000904 _H	CAN2 - Error Counter Low (Transmit)	ERRCNTL2	ERRCNT2	R
000905 _H	CAN2 - Error Counter High (Receive)	ERRCNTH2		R
000906 _H	CAN2 - Bit Timing Register Low	BTRL2	BTR2	R/W
000907 _H	CAN2 - Bit Timing Register High	BTRH2		R/W
000908 _H	CAN2 - Interrupt Register Low	INTRL2	INTR2	R
000909 _H	CAN2 - Interrupt Register High	INTRH2		R
00090A _H	CAN2 - Test Register Low	TESTRL2	TESTR2	R/W
00090B _H	CAN2 - Test Register High (reserved)	TESTRH2		R
00090C _H	CAN2 - BRP Extension register Low	BRPERL2	BRPER2	R/W
00090D _H	CAN2 - BRP Extension register High (reserved)	BRPERH2		R
00090E _H –00090F _H	Reserved			-
000910 _H	CAN2 - IF1 Command request register Low	IF1CREQL2	IF1CREQ2	R/W
000911 _H	CAN2 - IF1 Command request register High	IF1CREQH2		R/W
000912 _H	CAN2 - IF1 Command Mask register Low	IF1CMSKL2	IF1CMSK2	R/W
000913 _H	CAN2 - IF1 Command Mask register High (reserved)	IF1CMSKH2		R
000914 _H	CAN2 - IF1 Mask 1 Register Low	IF1MSK1L2	IF1MSK12	R/W
000915 _H	CAN2 - IF1 Mask 1 Register High	IF1MSK1H2		R/W
000916 _H	CAN2 - IF1 Mask 2 Register Low	IF1MSK2L2	IF1MSK22	R/W
000917 _H	CAN2 - IF1 Mask 2 Register High	IF1MSK2H2		R/W
000918 _H	CAN2 - IF1 Arbitration 1 Register Low	IF1ARB1L2	IF1ARB12	R/W
000919 _H	CAN2 - IF1 Arbitration 1 Register High	IF1ARB1H2		R/W
00091A _H	CAN2 - IF1 Arbitration 2 Register Low	IF1ARB2L2	IF1ARB22	R/W
00091B _H	CAN2 - IF1 Arbitration 2 Register High	IF1ARB2H2		R/W
00091C _H	CAN2 - IF1 Message Control Register Low	IF1MCTRL2	IF1MCTR2	R/W
00091D _H	CAN2 - IF1 Message Control Register High	IF1MCTRH2		R/W
00091E _H	CAN2 - IF1 Data A1 Low	IF1DTA1L2	IF1DTA12	R/W
00091F _H	CAN2 - IF1 Data A1 High	IF1DTA1H2		R/W
000920 _H	CAN2 - IF1 Data A2 Low	IF1DTA2L2	IF1DTA22	R/W
000921 _H	CAN2 - IF1 Data A2 High	IF1DTA2H2		R/W
000922 _H	CAN2 - IF1 Data B1 Low	IF1DTB1L2	IF1DTB12	R/W
000923 _H	CAN2 - IF1 Data B1 High	IF1DTB1H2		R/W
000924 _H	CAN2 - IF1 Data B2 Low	IF1DTB2L2	IF1DTB22	R/W
000925 _H	CAN2 - IF1 Data B2 High	IF1DTB2H2		R/W
000926 _H –00093F _H	Reserved			-



Table 4. I/O Map CY96(F)35x (20 / 21) (continued)

Address	Register	Abbreviation 8-bit Access	Abbreviation 16-bit Access	Access
000940 _H	CAN2 - IF2 Command request register Low	IF2CREQL2	IF2CREQ2	R/W
000941 _H	CAN2 - IF2 Command request register High	IF2CREQH2		R/W
000942 _H	CAN2 - IF2 Command Mask register Low	IF2CMSKL2	IF2CMSK2	R/W
000943 _H	CAN2 - IF2 Command Mask register High (reserved)	IF2CMSKH2		R
000944 _H	CAN2 - IF2 Mask 1 Register Low	IF2MSK1L2	IF2MSK12	R/W
000945 _H	CAN2 - IF2 Mask 1 Register High	IF2MSK1H2		R/W
000946 _H	CAN2 - IF2 Mask 2 Register Low	IF2MSK2L2	IF2MSK22	R/W
000947 _H	CAN2 - IF2 Mask 2 Register High	IF2MSK2H2		R/W
000948 _H	CAN2 - IF2 Arbitration 1 Register Low	IF2ARB1L2	IF2ARB12	R/W
000949 _H	CAN2 - IF2 Arbitration 1 Register High	IF2ARB1H2		R/W
00094A _H	CAN2 - IF2 Arbitration 2 Register Low	IF2ARB2L2	IF2ARB22	R/W
00094B _H	CAN2 - IF2 Arbitration 2 Register High	IF2ARB2H2		R/W
00094C _H	CAN2 - IF2 Message Control Register Low	IF2MCTRL2	IF2MCTR2	R/W
00094D _H	CAN2 - IF2 Message Control Register High	IF2MCTRH2		R/W
00094E _H	CAN2 - IF2 Data A1 Low	IF2DTA1L2	IF2DTA12	R/W
00094F _H	CAN2 - IF2 Data A1 High	IF2DTA1H2		R/W
000950 _H	CAN2 - IF2 Data A2 Low	IF2DTA2L2	IF2DTA22	R/W
000951 _H	CAN2 - IF2 Data A2 High	IF2DTA2H2		R/W
000952 _H	CAN2 - IF2 Data B1 Low	IF2DTB1L2	IF2DTB12	R/W
000953 _H	CAN2 - IF2 Data B1 High	IF2DTB1H2		R/W
000954 _H	CAN2 - IF2 Data B2 Low	IF2DTB2L2	IF2DTB22	R/W
000955 _H	CAN2 - IF2 Data B2 High	IF2DTB2H2		R/W
000956 _H –00097F _H	Reserved			-
000980 _H	CAN2 - Transmission Request 1 Register Low	TREQR1L2	TREQR12	R
000981 _H	CAN2 - Transmission Request 1 Register High	TREQR1H2		R
000982 _H	CAN2 - Transmission Request 2 Register Low	TREQR2L2	TREQR22	R
000983 _H	CAN2 - Transmission Request 2 Register High	TREQR2H2		R
000984 _H –00098F _H	Reserved			-
000990 _H	CAN2 - New Data 1 Register Low	NEWDT1L2	NEWDT12	R
000991 _H	CAN2 - New Data 1 Register High	NEWDT1H2		R
000992 _H	CAN2 - New Data 2 Register Low	NEWDT2L2	NEWDT22	R
000993 _H	CAN2 - New Data 2 Register High	NEWDT2H2		R
000994 _H –00099F _H	Reserved			-
0009A0 _H	CAN2 - Interrupt Pending 1 Register Low	INTPND1L2	INTPND12	R
0009A1 _H	CAN2 - Interrupt Pending 1 Register High	INTPND1H2		R
0009A2 _H	CAN2 - Interrupt Pending 2 Register Low	INTPND2L2	INTPND22	R
0009A3 _H	CAN2 - Interrupt Pending 2 Register High	INTPND2H2		R
0009A4 _H –0009AF _H	Reserved			-
0009B0 _H	CAN2 - Message Valid 1 Register Low	MSGVAL1L2	MSGVAL12	R



Table 4. I/O Map CY96(F)35x (21 / 21) (continued)

Address	Register	Abbreviation 8-bit Access	Abbreviation 16-bit Access	Access
0009B1 _H	CAN2 - Message Valid 1 Register High	MSGVAL1H2		R
0009B2 _H	CAN2 - Message Valid 2 Register Low	MSGVAL2L2	MSGVAL22	R
0009B3 _H	CAN2 - Message Valid 2 Register High	MSGVAL2H2		R
0009B4 _H –0009CD _H	Reserved			-
0009CE _H	CAN2 - Output enable register	COER2		R/W
0009CF _H –000BFF _H	Reserved			-

Note: Any write access to reserved addresses in the I/O map should not be performed. A read access to a reserved address results in reading 'X'.

Registers of resources which are described in this table, but which are not supported by the device, should also be handled as "Reserved".



Interrupt Vector Table

Table 5. Interrupt Vector Table CY96(F)35x (1 / 3)

Vector Number	Offset in Vector Table	Vector Name	Cleared by DMA	Index in ICR to Program	Description
0	3FC _H	CALLV0	No	-	
1	3F8 _H	CALLV1	No	-	
2	3F4 _H	CALLV2	No	-	
3	3F0 _H	CALLV3	No	-	
4	3EC _H	CALLV4	No	-	
5	3E8 _H	CALLV5	No	-	
6	3E4 _H	CALLV6	No	-	
7	3E0 _H	CALLV7	No	-	
8	3DC _H	RESET	No	-	
9	3D8 _H	INT9	No	-	
10	3D4 _H	EXCEPTION	No	-	
11	3D0 _H	NMI	No	-	Non-Maskable Interrupt
12	3CC _H	DLY	No	12	Delayed Interrupt
13	3C8 _H	RC_TIMER	No	13	RC Timer
14	3C4 _H	MC_TIMER	No	14	Main Clock Timer
15	3C0 _H	SC_TIMER	No	15	Sub Clock Timer
16	3BC _H	PLL_UNLOCK	No	16	Reserved
17	3B8 _H	EXTINT0	Yes	17	External Interrupt 0
18	3B4 _H				Reserved
19	3B0 _H	EXTINT2	Yes	19	External Interrupt 2
20	3AC _H	EXTINT3	Yes	20	External Interrupt 3
21	3A8 _H	EXTINT4	Yes	21	External Interrupt 4
22	3A4 _H				Reserved
23	3A0 _H	EXTINT7	Yes	23	External Interrupt 7
24	39C _H	EXTINT8	Yes	24	External Interrupt 8
25	398 _H	EXTINT9	Yes	25	External Interrupt 9
26	394 _H	EXTINT10	Yes	26	External Interrupt 10
27	390 _H	EXTINT11	Yes	27	External Interrupt 11
28	38C _H	EXTINT12	Yes	28	External Interrupt 12
29	388 _H	EXTINT13	Yes	29	External Interrupt 13
30	384 _H	EXTINT14	Yes	30	External Interrupt 14
31	380 _H	EXTINT15	Yes	31	External Interrupt 15
32	37C _H	CAN1	No	32	CAN Controller 1 (only CY96F356Y/R)
33	378 _H	CAN2	No	33	CAN Controller 2 (only CY96F356Y/R and CY96F353R/F355R)
34	374 _H	PPG0	Yes	34	Programmable Pulse Generator 0
35	370 _H	PPG1	Yes	35	Programmable Pulse Generator 1



Table 5. Interrupt Vector Table CY96(F)35x (2 / 3) (continued)

Vector Number	Offset in Vector Table	Vector Name	Cleared by DMA	Index in ICR to Program	Description
36	36C _H	PPG2	Yes	36	Programmable Pulse Generator 2
37	368 _H	PPG3	Yes	37	Programmable Pulse Generator 3
38	364 _H	PPG4	Yes	38	Programmable Pulse Generator 4
39	360	PPG5	Yes	39	Programmable Pulse Generator 5
40	35C _H	PPG6	Yes	40	Programmable Pulse Generator 6
41	358 _H	PPG7	Yes	41	Programmable Pulse Generator 7
42	354 _H	PPG8	Yes	42	Programmable Pulse Generator 8
43	350 _H	PPG9	Yes	43	Programmable Pulse Generator 9
44	34C _H	PPG10	Yes	44	Programmable Pulse Generator 10
45	348 _H	PPG11	Yes	45	Programmable Pulse Generator 11
46	344 _H	PPG12	Yes	46	Programmable Pulse Generator 12
47	340 _H	PPG13	Yes	47	Programmable Pulse Generator 13
48	33C _H	PPG14	Yes	48	Programmable Pulse Generator 14
49	338 _H	PPG15	Yes	49	Programmable Pulse Generator 15
50	334 _H	PPG16	Yes	50	Programmable Pulse Generator 16
51	330 _H	PPG17	Yes	51	Programmable Pulse Generator 17
52	32C _H	PPG18	Yes	52	Programmable Pulse Generator 18
53	328 _H	PPG19	Yes	53	Programmable Pulse Generator 19
54	324 _H	RLT0	Yes	54	Reload Timer 0
55	320 _H	RLT1	Yes	55	Reload Timer 1
56	31C _H	RLT2	Yes	56	Reload Timer 2
57	318 _H	RLT3	Yes	57	Reload Timer 3
58	314 _H	PPGRLT	Yes	58	Reload Timer 6 - dedicated for PPG
59	310 _H	ICU0	Yes	59	Input Capture Unit 0
60	30C _H	ICU1	Yes	60	Input Capture Unit 1
61	308 _H				Reserved
62	304 _H				Reserved
63	300 _H	ICU4	Yes	63	Input Capture Unit 4
64	2FC _H	ICU5	Yes	64	Input Capture Unit 5
65	2F8 _H	ICU6	Yes	65	Input Capture Unit 6
66	2F4 _H	ICU7	Yes	66	Input Capture Unit 7
67	2F0 _H				Reserved
68	2EC _H	ICU9	Yes	68	Input Capture Unit 9
69	2E8 _H	ICU10	Yes	69	Input Capture Unit 10
70	2E4 _H				Reserved
71	2E0 _H	OCU4	Yes	71	Output Compare Unit 4
72	2DC _H	OCU5	Yes	72	Output Compare Unit 5
73	2D8 _H	OCU6	Yes	73	Output Compare Unit 6



Table 5. Interrupt Vector Table CY96(F)35x (3 / 3) (continued)

Vector Number	Offset in Vector Table	Vector Name	Cleared by DMA	Index in ICR to Program	Description
74	2D4 _H	OCU7	Yes	74	Output Compare Unit 7
75	2D0 _H				Reserved
76	2CC _H				Reserved
77	2C8 _H	FRT0	Yes	77	Free Running Timer 0
78	2C4 _H	FRT1	Yes	78	Free Running Timer 1
79	2C0 _H	FRT2	Yes	79	Free Running Timer 2
80	2BC _H	FRT3	Yes	80	Free Running Timer 3
81	2B8 _H	RTC0	No	81	Real Timer Clock
82	2B4 _H	CAL0	No	82	Clock Calibration Unit
83	2B0 _H	IIC0	Yes	83	I2C interface
84	2AC _H	ADC0	Yes	84	A/D Converter
85	2A8 _H	LINR2	Yes	85	LIN USART 2 RX
86	2A4 _H	LINT2	Yes	86	LIN USART 2 TX
87	2A0 _H	LINR3	Yes	87	LIN USART 3 RX
88	29C _H	LINT3	Yes	88	LIN USART 3 TX
89	298 _H	LINR7	Yes	89	LIN USART 7 RX
90	294 _H	LINT7	Yes	90	LIN USART 7 TX
91	290 _H	LINR8	Yes	91	LIN USART 8 RX
92	28C _H	LINT8	Yes	92	LIN USART 8 TX
93	288 _H	FLASH_A	No	93	Flash memory A (only Flash devices)



Handling Devices

Special care is required for the following when handling the device:

- ? Latch-up prevention
- ? Unused pins handling
- ? External clock usage
- ? Unused sub clock signal
- ? Notes on PLL clock mode operation
- ? Power supply pins (V_{CC}/V_{SS})
- ? Crystal oscillator and ceramic resonator circuit
- ? Turn on sequence of power supply to A/D converter and analog inputs
- ? Pin handling when not using the A/D converter
- ? Notes on energization
- ? Stabilization of power supply voltage
- ? Serial communication
- ? Clock modulator

1. Latch-up Prevention

CMOS IC chips may suffer latch-up under the following conditions:

- ? A voltage higher than V_{CC} or lower than V_{SS} is applied to an input or output pin.
- ? A voltage higher than the rated voltage is applied between V_{CC} pins and V_{SS} pins.

Latch-up may increase the power supply current dramatically, causing thermal damages to the device.

2. Unused Pins Handling

Unused input pins can be left open when the input is disabled (corresponding bit of Port Input Enable register PIER = 0).

Leaving unused input pins open when the input is enabled may result in misbehavior and possible permanent damage of the device. They must therefore be pulled up or pulled down through resistors. To prevent latch-up, those resistors should be more than 2 k Ω .

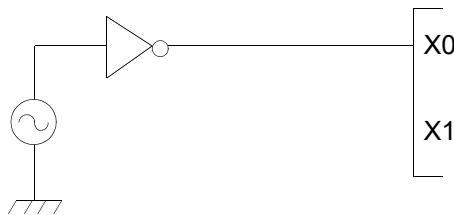
Unused bidirectional pins can be set either to the output state and be then left open, or to the input state with either input disabled or external pull-up/pull-down resistor as described above.

3. External Clock Usage

The permitted frequency range of an external clock depends on the oscillator type and configuration. See AC Characteristics for detailed modes and frequency limits. Single and opposite phase external clocks must be connected as follows:

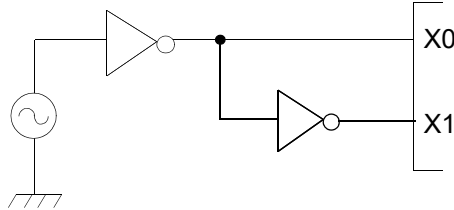
1. Single phase external clock

- ? When using a single phase external clock, X0 (X0A) pin must be driven and X1 (X1A) pin left open.



2. Opposite phase external clock

- ? When using an opposite phase external clock, X1 (X1A) must be supplied with a clock signal which has the opposite phase to the X0 (X0A) pins.



4. Unused Sub Clock Signal

If the pins X0A and X1A are not connected to an oscillator, a pull-down resistor must be connected on the X0A pin and the X1A pin must be left open.

5. Notes on PLL Clock Mode Operation

If the PLL clock mode is selected and no external oscillator is operating or no external clock is supplied, the microcontroller attempts to work with the free oscillating PLL. Performance of this operation, however, cannot be guaranteed.

6. Power Supply Pins (V_{CC}/V_{SS})

It is required that all V_{CC} -level as well as all V_{SS} -level power supply pins are at the same potential. If there is more than one V_{CC} or V_{SS} level, the device may operate incorrectly or be damaged even within the guaranteed operating range.

V_{CC} and V_{SS} must be connected to the device from the power supply with lowest possible impedance.

As a measure against power supply noise, it is required to connect a bypass capacitor of about 0.1 μF between V_{CC} and V_{SS} as close as possible to V_{CC} and V_{SS} pins.

Please add the bypass capacitor of the power supply in order to not exceed 0.1 V/ μs .

7. Crystal Oscillator and Ceramic Resonator Circuit

Noise at X0, X1 pins or X0A, X1A pins might cause abnormal operation. It is required to provide bypass capacitors with shortest possible distance to X0, X1 pins and X0A, X1A pins, crystal oscillator (or ceramic resonator) and ground lines, and, to the utmost effort, that the lines of oscillation circuit do not cross the lines of other circuits.

It is highly recommended to provide a printed circuit board art work surrounding X0, X1 pins and X0A, X1A pins with a ground area for stabilizing the operation.

It is highly recommended to evaluate the quartz/MCU or resonator/MCU system at the quartz or resonator manufacturer, especially when using low-Q resonators at higher frequencies.

8. Turn on Sequence of Power Supply to A/D Converter and Analog Inputs

It is required to turn the A/D converter power supply (AV_{CC} , AVRH, AVR) and analog inputs (ANn) on after turning the digital power supply (V_{CC}) on.

It is also required to turn the digital power off after turning the A/D converter supply and analog inputs off. In this case, the voltage must not exceed AVRH or AV_{CC} (turning the analog and digital power supplies simultaneously on or off is acceptable).

9. Pin Handling when Not Using the A/D Converter

It is required to connect the unused pins of the A/D converter as $AV_{CC} = V_{CC}$, $AV_{SS} = AVRH = AVR = V_{SS}$.

10. Notes on Power-on

To prevent malfunction of the internal voltage regulator, supply voltage profile while turning the power supply on should be slower than 50 μs from 0.2 V to 2.7 V.

11. Stabilization of Power Supply Voltage

If the power supply voltage varies acutely even within the operation safety range of the V_{CC} power supply voltage, a malfunction may occur. The V_{CC} power supply voltage must therefore be stabilized. As stabilization guidelines, the power supply voltage must be stabilized in such a way that V_{CC} ripple fluctuations (peak to peak value) in the commercial frequencies (50 to 60 Hz) fall within 10 % of the standard V_{CC} power supply voltage and the transient fluctuation rate becomes 0.1 V/ μs or less in instantaneous fluctuation for power supply switching.



12. Serial Communication

There is a possibility to receive wrong data due to noise or other causes on the serial communication.

Therefore, design a printed circuit board so as to avoid noise.

Consider receiving of wrong data when designing the system. For example apply a checksum and retransmit the data if an error occurs.

13. Clock modulator

Please contact Cypress before using this function.



Electrical Characteristics

Absolute Maximum Ratings

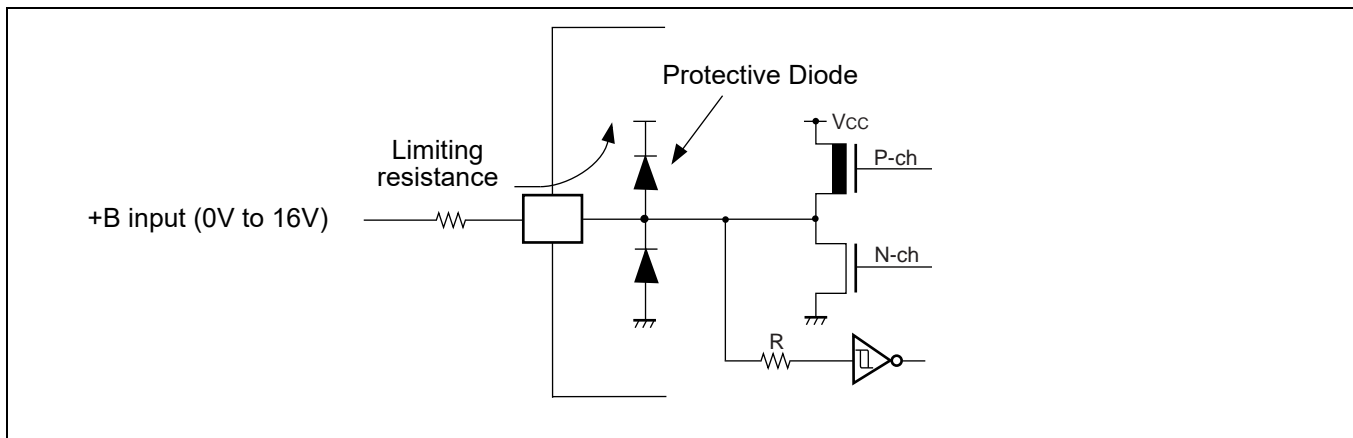
Parameter	Symbol	Rating		Unit	Remarks
		Min	Max		
Power supply voltage	V_{CC}	$V_{SS} - 0.3$	$V_{SS} + 6.0$	V	
	AV_{CC}	$V_{SS} - 0.3$	$V_{SS} + 6.0$	V	$V_{CC} = AV_{CC}$ *1
AD Converter voltage references	AVRH, AVRL	$V_{SS} - 0.3$	$V_{SS} + 6.0$	V	$AV_{CC} \geq AVRH$, $AV_{CC} \geq AVRL$, $AVRH > AVRL$, $AVRL \geq AV_{SS}$
Input voltage	V_I	$V_{SS} - 0.3$	$V_{SS} + 6.0$	V	$V_I \leq V_{CC} + 0.3 V$ *2
Output voltage	V_O	$V_{SS} - 0.3$	$V_{SS} + 6.0$	V	$V_O \leq V_{CC} + 0.3 V$ *2
Maximum Clamp Current	I_{CLAMP}	-4.0	+4.0	mA	Applicable to general purpose I/O pins *3
Total Maximum Clamp Current	$\sum I_{CLAMP} $	-	40	mA	Applicable to general purpose I/O pins *3
"L" level maximum output current	I_{OL1}	-	15	mA	Outputs with driving strength set to 2 mA /3 mA /5 mA
"L" level average output current	I_{OLAV2}	-	2	mA	Outputs with driving strength set to 2mA
	I_{OLAV3}	-	3	mA	Outputs of I/O circuit type "N"
	I_{OLAV5}	-	5	mA	Outputs with driving strength set to 5mA
"L" level maximum overall output current	$\sum I_{OL1}$	-	100	mA	Normal outputs
"L" level average overall output current	$\sum I_{OLAV1}$	-	50	mA	Normal outputs
"H" level maximum output current	I_{OH1}	-	-15	mA	Outputs with driving strength set to 2 mA /3 mA /5 mA
"H" level average output current	I_{OHAV2}	-	-2	mA	Outputs with driving strength set to 2 mA
	I_{OHAV3}	-	-3	mA	Outputs of I/O circuit type "N"
	I_{OHAV5}	-	-5	mA	Outputs with driving strength set to 5 mA
"H" level maximum overall output current	$\sum I_{OH1}$	-	-100	mA	Normal outputs
"H" level average overall output current	$\sum I_{OHAV1}$	-	-50	mA	Normal outputs
Permitted Power dissipation (Flash devices) *4	P_D	-	320 *5	mW	$T_A = 105^\circ C$
		-	640 *5	mW	$T_A = 85^\circ C$
		-	800 *5	mW	$T_A = 75^\circ C$
		-	400 *5	mW	$T_A = 125^\circ C$, no Flash program/erase *6
		-	560 *5	mW	$T_A = 115^\circ C$, no Flash program/erase *6
Operating ambient temperature	T_A	0	+70	°C	CY96V300C
		-40	+105		
		-40	+125		*6
Storage temperature	T_{STG}	-55	+150	°C	

*1: AVCC and VCC must be set to the same voltage. It is required that AVCC does not exceed VCC and that the voltage at the analog inputs does not exceed AVCC neither when the power is switched on.



*2: V_I and V_O should not exceed $V_{CC} + 0.3$ V. V_I should also not exceed the specified ratings. However if the maximum current to/from a input is limited by some means with external components, the I_{CLAMP} rating supersedes the V_I rating. Input/output voltages of standard ports depend on V_{CC} .

- *3:
- ? Applicable to all general-purpose I/O pins (Pnn_m).
 - ? Use within recommended operating conditions.
 - ? Use at DC voltage (current)
 - ? The +B signal should always be applied a limiting resistance placed between the +B signal and the microcontroller.
 - ? The value of the limiting resistance should be set so that when the +B signal is applied the input current to the microcontroller pin does not exceed rated values, either instantaneously or for prolonged periods.
 - ? Note that when the microcontroller drive current is low, such as in the power saving modes, the +B input potential may pass through the protective diode and increase the potential at the VCC pin, and this may affect other devices.
 - ? Note that if a +B signal is input when the microcontroller power supply is off (not fixed at 0 V), the power supply is provided from the pins, so that incomplete operation may result.
 - ? Note that if the +B input is applied during power-on, the power supply is provided from the pins and the resulting supply voltage may not be sufficient to operate the Power reset (except devices with persistent low voltage reset in internal vector mode).
 - ? Sample recommended circuits:



*4: The maximum permitted power dissipation depends on the ambient temperature, the air flow velocity and the thermal conductance of the package on the PCB.

The actual power dissipation depends on the customer application and can be calculated as follows:

$$P_D = P_{IO} + P_{INT}$$

$$P_{IO} = S (V_{OL} * I_{OL} + V_{OH} * I_{OH}) \text{ (IO load power dissipation, sum is performed on all IO ports)}$$

$$P_{INT} = V_{CC} * (I_{CC} + I_A) \text{ (internal power dissipation)}$$

I_{CC} is the total core current consumption into V_{CC} as described in the "DC characteristics" and depends on the selected operation mode and clock frequency and the usage of functions like Flash programming or the clock modulator.

I_A is the analog current consumption into AV_{CC} .

*5: Worst case value for a package mounted on single layer PCB at specified T_A without air flow.

*6: Please contact Cypress for reliability limitations when using under these conditions.

WARNING:

Semiconductor devices can be permanently damaged by application of stress (voltage, current, temperature, etc.) in excess of absolute maximum ratings. Do not exceed these ratings.



Recommended Operating Conditions

Parameter	Symbol	Value			Unit	Remarks
		Min	Typ	Max		
Power supply voltage	V_{CC}	3.0	-	5.5	V	
Smoothing capacitor at C pin	C_S	3.5	4.7	15	μF	Use a X7R ceramic capacitor or a capacitor that has similar frequency characteristics.

WARNING:

The recommended operating conditions are required in order to ensure the normal operation of the semiconductor device. All of the device's electrical characteristics are warranted when the device is operated under these conditions. Any use of semiconductor devices will be under their recommended operating condition. Operation under any conditions other than these conditions may adversely affect reliability of device and could result in device failure.

No warranty is made with respect to any use, operating conditions or combinations not represented on this data sheet. If you are considering application under any conditions other than listed herein, please contact sales representatives beforehand.


DC Characteristics
 $(T_A = -40\text{ }^{\circ}\text{C to } 125\text{ }^{\circ}\text{C}, V_{CC} = AV_{CC} = 3.0\text{ V to } 5.5\text{ V}, V_{SS} = AV_{SS} = 0\text{ V})$

Parameter	Symbol	Pin	Condition	Value			Unit	Remarks
				Min	Typ	Max		
Input H voltage	V_{IH}	Port inputs Pnn_m	CMOS Hysteresis 0.8/0.2 input selected	$0.8 V_{CC}$	-	$V_{CC} + 0.3$	V	
			CMOS Hysteresis 0.7/0.3 input selected	$0.7 V_{CC}$	-	$V_{CC} + 0.3$	V	$V_{CC} \geq 4.5\text{ V}$
				$0.74 V_{CC}$	-	$V_{CC} + 0.3$	V	$V_{CC} < 4.5\text{ V}$
			AUTOMOTIVE Hysteresis input selected	$0.8 V_{CC}$	-	$V_{CC} + 0.3$	V	
			TTL input selected	2.0	-	$V_{CC} + 0.3$	V	
	V_{IHx0F}	X0	External clock in "Fast Clock Input mode"	$0.8 V_{CC}$	-	$V_{CC} + 0.3$	V	
	V_{IHx0S}	X0,X1, X0A,X1A	External clock in "oscillation mode"	2.5	-	$V_{CC} + 0.3$	V	
	V_{IHR}	RSTX	-	$0.8 V_{CC}$	-	$V_{CC} + 0.3$	V	CMOS Hysteresis input
	V_{IHM}	MD2-MD0	-	$V_{CC} - 0.3$	-	$V_{CC} + 0.3$	V	
	Input L voltage	V_{IL}	Port inputs Pnn_m	CMOS Hysteresis 0.8/0.2 input selected	$V_{SS} - 0.3$	-	$0.2 V_{CC}$	V
CMOS Hysteresis 0.7/0.3 input selected				$V_{SS} - 0.3$	-	$0.3 V_{CC}$	V	
				AUTOMOTIVE Hysteresis input selected	$V_{SS} - 0.3$	-	$0.5 V_{CC}$	V
$V_{SS} - 0.3$					-	$0.46 V_{CC}$		$V_{CC} < 4.5\text{ V}$
TTL input selected				$V_{SS} - 0.3$	-	0.8	V	
V_{ILx0F}		X0	External clock in "Fast Clock Input mode"	$V_{SS} - 0.3$	-	$0.2 V_{CC}$	V	
V_{ILx0S}		X0,X1, X0A,X1A	External clock in "oscillation mode"	$V_{SS} - 0.3$	-	0.4	V	
V_{ILR}		RSTX	-	$V_{SS} - 0.3$	-	$0.2 V_{CC}$	V	CMOS Hysteresis input
V_{ILM}		MD2-MD0	-	$V_{SS} - 0.3$	-	$V_{SS} + 0.3$	V	

(T_A = -40 °C to 125 °C, V_{CC} = AV_{CC} = 3.0 V to 5.5 V, V_{SS} = AV_{SS} = 0 V)

Parameter	Symbol	Pin	Condition	Value			Unit	Remarks	
				Min	Typ	Max			
Output H voltage	V _{OH2}	Normal outputs	4.5 V ≤ V _{CC} ≤ 5.5 V I _{OH} = -2 mA	V _{CC} - 0.5	-	-	V	Driving strength set to 2 mA (PODR:OD=1)	
			3.0 V ≤ V _{CC} < 4.5 V I _{OH} = -1.6 mA						
	V _{OH5}	Normal outputs	4.5 V ≤ V _{CC} ≤ 5.5 V I _{OH} = -5 mA	V _{CC} - 0.5	-	-	V		Driving strength set to 5 mA (PODR:OD=0)
			3.0 V ≤ V _{CC} < 4.5 V I _{OH} = -3 mA						
	V _{OH3}	3 mA outputs	4.5 V ≤ V _{CC} ≤ 5.5 V I _{OH} = -3 mA	V _{CC} - 0.5	-	-	V		I/O circuit type "N"
			3.0 V ≤ V _{CC} < 4.5 V I _{OH} = -2 mA						
Output L voltage	V _{OL2}	Normal outputs	4.5 V ≤ V _{CC} ≤ 5.5 V I _{OL} = +2 mA	-	-	0.4	V	Driving strength set to 2 mA	
			3.0 V ≤ V _{CC} < 4.5 V I _{OL} = +1.6 mA						
	V _{OL5}	Normal outputs	4.5 V ≤ V _{CC} ≤ 5.5 V I _{OL} = +5 mA	-	-	0.4	V		Driving strength set to 5 mA
			3.0 V ≤ V _{CC} < 4.5 V I _{OL} = +3 mA						
	V _{OL3}	3 mA outputs	3.0 V ≤ V _{CC} ≤ 5.5 V I _{OL} = +3 mA	-	-	0.4	V		I/O circuit type "N"
	Input leak current	I _{IL}	Pnn_m	V _{SS} < V _I < V _{CC} AV _{SS} , AVRL < V _I < AV _{CC} , AVRH	-1	-	+1		μA
Pull-up resistance	R _{UP}	Pnn_m, RSTX	V _{CC} = 3.3 V ± 10 %	40	100	160	kΩ		
			V _{CC} = 5.0 V ± 10 %	25	50	100	kΩ		

(T_A = -40 °C to 125 °C, V_{CC} = AV_{CC} = 3.0 V to 5.5 V, V_{SS} = AV_{SS} = 0 V)

Parameter	Symbol	Condition (at T _A)	Value			Remarks				
			Typ	Max	Unit					
Power supply current in Run modes ^{*1}	I _{CCPLL}	PLL Run mode with CLKS1/2 = CLKB = CLKP1 = 16 MHz, CLKP2 = 8 MHz 1 Flash/ROM wait state (CLKRC and CLKSC stopped)	+25 °C	14.5	19.5	mA	CY96F353/F355			
			+125 °C	16	23					
				PLL Run mode with CLKS1/2 = CLKB = CLKP1 = 32 MHz, CLKP2 = 16 MHz 2 Flash/ROM wait states (CLKRC and CLKSC stopped)	+25 °C	15	20	mA	CY96F356	
					+125 °C	16.5	23.5			
				PLL Run mode with CLKS1/2 = CLKB = CLKP1 = 48 MHz, CLKP2 = 24 MHz 0 Flash/ROM wait states (CLKRC and CLKSC stopped)	+25 °C	23	29	mA	CY96F353/F355	
					+125 °C	25	33			
				PLL Run mode with CLKS1/2 = CLKB = CLKP1 = 56 MHz, CLKP2 = 28 MHz 2 Flash/ROM wait states (CLKRC and CLKSC stopped. Core voltage at 1.9 V)	+25 °C	24	30	mA	CY96F356	
					+125 °C	26	34			
				PLL Run mode with CLKS1/2 = CLKB = CLKP1 = 64 MHz, CLKP2 = 32 MHz 0 Flash/ROM wait states (CLKRC and CLKSC stopped)	+25 °C	26	38	mA	CY96F353/F355	
					+125 °C	28	42			
				PLL Run mode with CLKS1/2 = CLKB = CLKP1 = 72 MHz, CLKP2 = 36 MHz 0 Flash/ROM wait states (CLKRC and CLKSC stopped)	+25 °C	28	40	mA	CY96F356	
					+125 °C	30	44			
			PLL Run mode with CLKS1/2 = CLKB = CLKP1 = 80 MHz, CLKP2 = 40 MHz 2 Flash/ROM wait states (CLKRC and CLKSC stopped. Core voltage at 1.9 V)	+25 °C	40	51	mA	CY96F353/F355		
				+125 °C	42	55				
			PLL Run mode with CLKS1/2 = CLKB = CLKP1 = 96 MHz, CLKP2 = 48 MHz 2 Flash/ROM wait states (CLKRC and CLKSC stopped. Core voltage at 1.9 V)	+25 °C	41	52	mA	CY96F356		
				+125 °C	43	56				
			PLL Run mode with CLKS1/2 = CLKB = CLKP1 = 104 MHz, CLKP2 = 52 MHz 2 Flash/ROM wait states (CLKRC and CLKSC stopped. Core voltage at 1.9 V)	+25 °C	43	56	mA	CY96F353/F355		
				+125 °C	45	60				
			PLL Run mode with CLKS1/2 = CLKB = CLKP1 = 112 MHz, CLKP2 = 56 MHz 1 Flash/ROM wait state (CLKRC and CLKSC stopped. Core voltage at 1.9 V)	+25 °C	44	58	mA	CY96F356		
				+125 °C	46	62				
I _{CCMAIN}		Main Run mode with CLKS1/2 = CLKB = CLKP1/2 = 4 MHz 1 Flash/ROM wait state (CLKPLL, CLKSC and CLKRC stopped)	+25 °C	4	5	mA	CY96F353/F355			
			+125 °C	4.7	8					
					Main Run mode with CLKS1/2 = CLKB = CLKP1/2 = 4 MHz 1 Flash/ROM wait state (CLKPLL, CLKSC and CLKRC stopped)	+25 °C	4.2	5.2	mA	CY96F356
						+125 °C	4.9	8.2		

(T_A = -40 °C to 125 °C, V_{CC} = AV_{CC} = 3.0 V to 5.5 V, V_{SS} = AV_{SS} = 0 V)

Parameter	Symbol	Condition (at T _A)	Value			Remarks		
			Typ	Max	Unit			
Power supply current in Run modes *1	I _{CCRCH}	RC Run mode with CLKS1/2 = CLKB = CLKP1/2 = 2 MHz 1 Flash/ROM wait state (CLKMC, CLKPLL and CLKSC stopped)	+25 °C	2.5	3.5	mA	CY96F353/F355	
			+125 °C	3.2	6.5			
			+25 °C	2.7	3.7	mA	CY96F356	
			+125 °C	3.4	6.7			
	I _{CCRCL}	RC Run mode with CLKS1/2 = CLKB = CLKP1/2 = 100 kHz, SMCR:LPMS = 0 1 Flash/ROM wait state (CLKMC, CLKPLL and CLKSC stopped. Voltage regulator in high power mode)	+25 °C	0.18	0.3	mA	CY96F353/F355	
			+125 °C	0.73	3.1			
			+25 °C	0.4	0.6	mA	CY96F356	
			+125 °C	0.95	3.4			
		I _{CCSUB}	Sub Run mode with CLKS1/2 = CLKB = CLKP1/2 = 32 kHz 1 Flash/ROM wait state (CLKMC, CLKPLL and CLKRC stopped, no Flash programming/erasing allowed)	+25 °C	0.1	0.2	mA	CY96F353/F355/356
				+125 °C	0.65	3		


 $(T_A = -40\text{ }^\circ\text{C to } 125\text{ }^\circ\text{C}, V_{CC} = AV_{CC} = 3.0\text{ V to } 5.5\text{ V}, V_{SS} = AV_{SS} = 0\text{ V})$

Parameter	Symbol	Condition (at T_A)	Value			Remarks		
			Typ	Max	Unit			
Power supply current in Sleep modes *1	I _{CCSPLL}	PLL Sleep mode with CLKS1/2 = CLKP1 = 16 MHz, CLKP2 = 8 MHz (CLKRC and CLKSC stopped)	+25 °C	4	6	mA	CY96F353/F355/F356	
			+125 °C	4.7	9			
		PLL Sleep mode with CLKS1/2 = CLKP1 = 32 MHz, CLKP2 = 16 MHz (CLKRC and CLKSC stopped)	+25 °C	7	9.5	mA		CY96F353/F355/F356
			+125 °C	8	12.5			
		PLL Sleep mode with CLKS1/2 = 48 MHz, CLKP1/2 = 24 MHz (CLKRC and CLKSC stopped)	+25 °C	7	9	mA		CY96F353/F355/F356
			+125 °C	8	12			
	PLL Sleep mode with CLKS1/2 = CLKP1= 56 MHz, CLKP2 = 28 MHz (CLKRC and CLKSC stopped. Core voltage at 1.9 V)	+25 °C	11	14.5	mA	CY96F353/F355/F356		
		+125 °C	12	17.5				
	PLL Sleep mode with CLKS1/2 = 96 MHz, CLKP1= 48 MHz, CLKP2 = 24 MHz (CLKRC and CLKSC stopped. Core voltage at 1.9 V)	+25 °C	12	15	mA	CY96F353/F355/F356		
		+125 °C	13	18				
	I _{CCSMAN}	Main Sleep mode with CLKS1/2 = CLKP1/2 = 4 MHz (CLKPLL, CLKSC and CLKRC stopped)	+25 °C	1	1.3	mA	CY96F353/F355	
			+125 °C	1.6	4.1			
			+25 °C	1.3	1.8	mA		CY96F356
			+125 °C	1.9	4.6			
I _{CCSRCH}	RC Sleep mode with CLKS1/2 = CLKP1/2 = 2 MHz (CLKMC, CLKPLL and CLKSC stopped)	+25 °C	0.55	1.1	mA	CY96F353/F355		
		+125 °C	1.15	3.9				
		+25 °C	0.8	1.4	mA	CY96F356		
		+125 °C	1.4	4.2				


 $(T_A = -40\text{ }^\circ\text{C to }125\text{ }^\circ\text{C}, V_{CC} = AV_{CC} = 3.0\text{ V to }5.5\text{ V}, V_{SS} = AV_{SS} = 0\text{ V})$

Parameter	Symbol	Condition (at T_A)	Value			Remarks		
			Typ	Max	Unit			
Power supply current in Sleep modes ^{*1}	I_{CCSRCL}	RC Sleep mode with CLKS1/2 = CLKP1/2 = 100 kHz, SMCR:LPMSS = 0 (CLKMC, CLKPLL and CLKSC stopped. Voltage regulator in high power mode)	+25 °C	0.08	0.2	mA	CY96F353/F355	
			+125 °C	0.59	2.95			
				+25 °C	0.3	0.5	mA	CY96F356
				+125 °C	0.8	3.3		
			RC Sleep mode with CLKS1/2 = CLKP1/2 = 100 kHz, SMCR:LPMSS = 1 (CLKMC, CLKPLL and CLKSC stopped. Voltage regulator in low power mode)	+25 °C	0.05	0.15	mA	CY96F353/F355/F356
				+125 °C	0.56	2.9		
	I_{CCSSUB}	Sub Sleep mode with CLKS1/2 = CLKP1/2 = 32 kHz (CLKMC, CLKPLL and CLKRC stopped)	+25 °C	0.04	0.12	mA	CY96F353/F355/F356	
			+125 °C	0.53	2.9			
Power supply current in Timer modes ^{*1}	I_{CCTPLL}	PLL Timer mode with CLKMC = 4 MHz, CLKPLL = 48 MHz (CLKRC and CLKSC stopped.)	+25 °C	1.3	1.8	mA	CY96F353/F355	
			+125 °C	1.9	4.8			
				+25 °C	1.5	2	mA	CY96F356
				+125 °C	2.1	5		

(T_A = -40 °C to 125 °C, V_{CC} = AV_{CC} = 3.0 V to 5.5 V, V_{SS} = AV_{SS} = 0 V)

Parameter	Symbol	Condition (at T _A)	Value			Remarks		
			Typ	Max	Unit			
Power supply current in Timer modes *	I _{CCTMAIN}	Main Timer mode with CLKMC = 4 MHz, SMCR:LPMSS = 0 (CLKPLL, CLKRC and CLKSC stopped. Voltage regulator in high power mode)	+25 °C	0.11	0.2	mA	CY96F353/F355	
			+125 °C	0.63	3			
			Main Timer mode with CLKMC = 4 MHz, SMCR:LPMSS = 1 (CLKPLL, CLKRC and CLKSC stopped. Voltage regulator in low power mode)	+25 °C	0.35	0.5	mA	CY96F356
				+125 °C	0.85	3.3		
	I _{CCTRCH}	RC Timer mode with CLKRC = 2 MHz, SMCR:LPMSS = 0 (CLKMC, CLKPLL and CLKSC stopped. Voltage regulator in high power mode)	+25 °C	0.1	0.2	mA	CY96F353/F355	
			+125 °C	0.63	3			
			RC Timer mode with CLKRC = 2 MHz, SMCR:LPMSS = 1 (CLKMC, CLKPLL and CLKSC stopped. Voltage regulator in low power mode)	+25 °C	0.35	0.5	mA	CY96F356
				+125 °C	0.85	3.3		
	I _{CCTRCL}	RC Timer mode with CLKRC = 100 kHz, SMCR:LPMSS = 0 (CLKMC, CLKPLL and CLKSC stopped. Voltage regulator in high power mode)	+25 °C	0.06	0.15	mA	CY96F353/F355	
			+125 °C	0.56	2.95			
			RC Timer mode with CLKRC = 100 kHz, SMCR:LPMSS = 1 (CLKMC, CLKPLL and CLKSC stopped. Voltage regulator in low power mode)	+25 °C	0.3	0.45	mA	CY96F356
				+125 °C	0.8	3.2		
I _{CCTSUB}	Sub Timer mode with CLKSC = 32 kHz (CLKMC, CLKPLL and CLKRC stopped)	+25 °C	0.035	0.1	mA	CY96F353/F355/F356		
		+125 °C	0.53	2.85				

(T_A = -40 °C to 125 °C, V_{CC} = AV_{CC} = 3.0 V to 5.5 V, V_{SS} = AV_{SS} = 0 V)

Parameter	Symbol	Condition (at T _A)		Value			Remarks	
				Typ	Max	Unit		
Power supply current in Stop Mode	I _{CCH}	VR _{CR} :LPMB[2:0] = 110 _B (Core voltage at 1.8 V)	+25 °C	0.02	0.08	mA	CY96F353/F355/F356	
			+125 °C	0.52	2.8			
		VR _{CR} :LPMB[2:0] = 000 _B (Core voltage at 1.2 V)	+25 °C	0.015	0.06	mA		CY96F353/F355/F356
			+125 °C	0.4	2.3			
Power supply current for active Low Voltage detector	I _{CCLVD}	Low voltage detector enabled (RCR:LVDE = 1)	+25 °C	5	10	μA	CY96F353/F355	
			+125 °C	7	20			
				+25 °C	90	140	μA	CY96F356
				+125 °C	100	150		
Power supply current for active Clock modulator	I _{CCLOMO}	Clock modulator enabled (CMCR:PDX = 1)	-	3	4.5	mA	Must be added to all current above	
Flash Write/Erase current	I _{CCFLASH}	Current for one Flash module	-	15	40	mA	Must be added to all current above	
Input capacitance	C _{IN}	-	-	5	15	pF	Other than C, AV _{CC} , AV _{SS} , AVR _H , AVR _L , V _{CC} , V _{SS}	

*: The power supply current is measured with a 4 MHz external clock connected to the Main oscillator and a 32 kHz external clock connected to the Sub oscillator. See chapter "Standby mode and voltage regulator control circuit" of the Hardware Manual for further details about voltage regulator control.

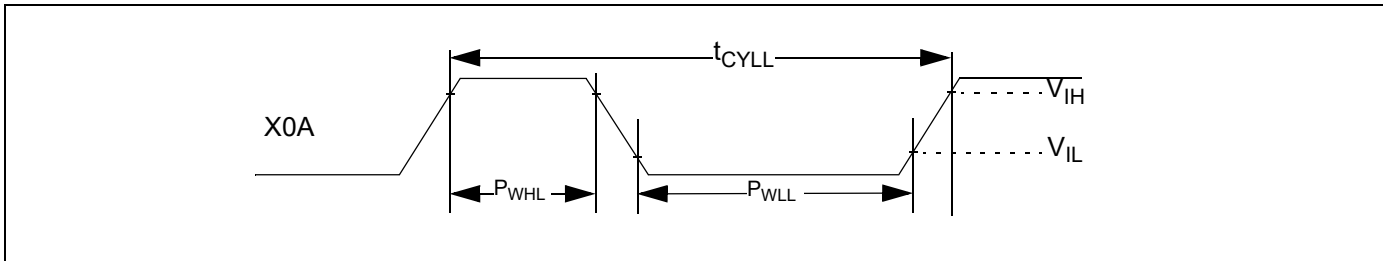
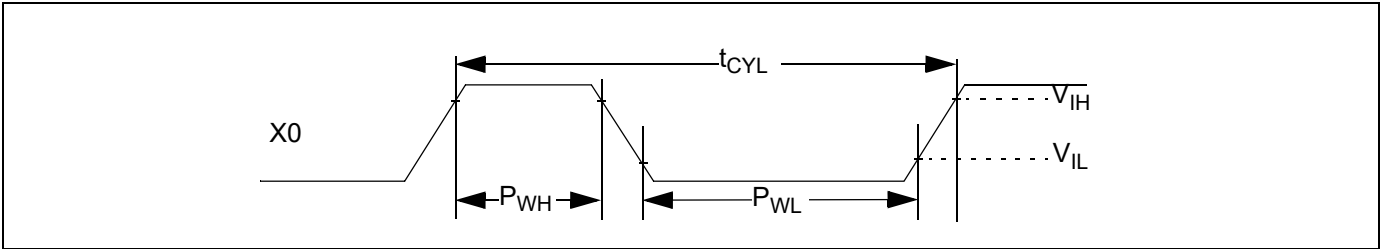


AC Characteristics

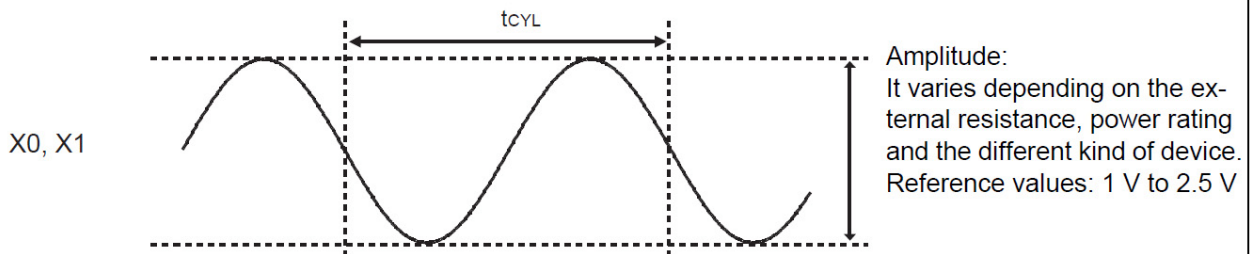
Source Clock Timing

($T_A = -40\text{ }^{\circ}\text{C}$ to $125\text{ }^{\circ}\text{C}$, $V_{CC} = AV_{CC} = 3.0\text{ V}$ to 5.5 V , $V_{SS} = AV_{SS} = 0\text{ V}$)

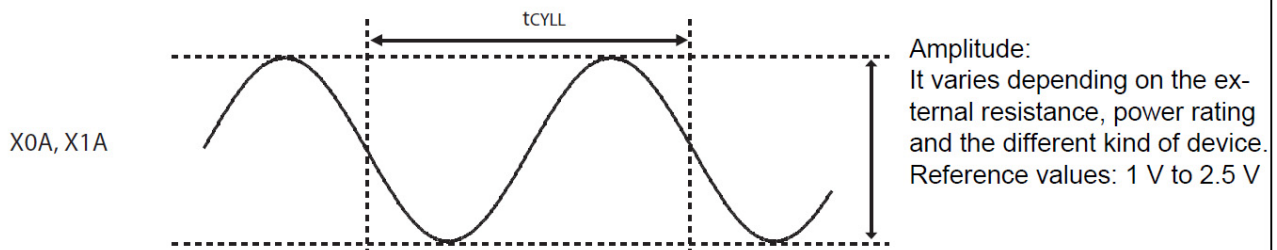
Parameter	Symbol	Pin	Value			Unit	Remarks
			Min	Typ	Max		
Clock frequency	f_C	X0, X1	3	-	16	MHz	When using a crystal oscillator, PLL off
			0	-	16	MHz	When using an opposite phase external clock, PLL off
			3.5	-	16	MHz	When using a crystal oscillator or opposite phase external clock, PLL on
Clock frequency	f_{FCI}	X0	0	-	56	MHz	When using a single phase external clock in "Fast Clock Input mode", PLL off
			3.5	-	56	MHz	When using a single phase external clock in "Fast Clock Input mode", PLL on
Clock frequency	f_{CL}	X0A, X1A	32	32.768	100	kHz	When using an oscillation circuit
			0	-	100	kHz	When using an opposite phase external clock
		X0A	0	-	50	kHz	When using a single phase external clock
Clock frequency	f_{CR}	-	50	100	200	kHz	When using slow frequency of RC oscillator
			1	2	4	MHz	When using fast frequency of RC oscillator
RC clock stabilization time	t_{RCSTAB}	-	64 or 256 RC clock cycles				Applied after any reset and when activating the RC oscillator. CY96F356: 64 cycles others: 256 cycles
PLL Clock frequency	f_{CLKVCO}	-	64	-	200	MHz	Permitted VCO output frequency of PLL (CLKVCO)
PLL Phase Jitter	T_{PSKEW}	-	-	-	± 5	ns	For CLKMC (PLL input clock) $\geq 4\text{ MHz}$, jitter coming from external oscillator, crystal or resonator is not covered.
Input clock pulse width	P_{WH}, P_{WL}	X0, X1	8	-	-	ns	Duty ratio is about 30 % to 70 %
Input clock pulse width	P_{WHL}, P_{WLL}	X0A, X1A	5	-	-	μs	



When using an oscillation circuit



When using an oscillation circuit





Internal Clock Timing

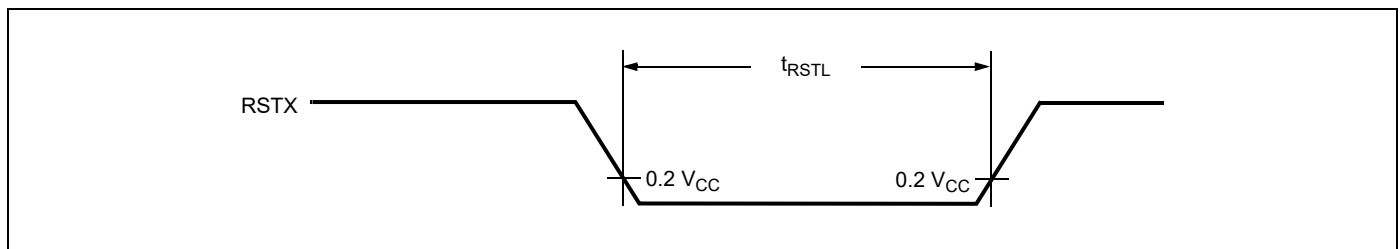
($T_A = -40\text{ }^{\circ}\text{C}$ to $125\text{ }^{\circ}\text{C}$, $V_{CC} = AV_{CC} = 3.0\text{ V}$ to 5.5 V , $V_{SS} = AV_{SS} = 0\text{ V}$)

Parameter	Symbol	Core Voltage Settings				Unit	Remarks
		1.8 V		1.9 V			
		Min	Max	Min	Max		
Internal System clock frequency (CLKS1 and CLKS2)	f_{CLKS1}, f_{CLKS2}	0	92	0	96	MHz	Others than below
		0	88	0	96	MHz	CY96F356
Internal CPU clock frequency (CLKB), internal peripheral clock frequency (CLKP1)	f_{CLKB}, f_{CLKP1}	0	52	0	56	MHz	
Internal peripheral clock frequency (CLKP2)	f_{CLKP2}	0	28	0	32	MHz	

External Reset Timing

($T_A = -40\text{ }^{\circ}\text{C}$ to $125\text{ }^{\circ}\text{C}$, $V_{CC} = AV_{CC} = 3.0\text{ V}$ to 5.5 V , $V_{SS} = AV_{SS} = 0\text{ V}$)

Parameter	Symbol	Pin	Value			Unit	Remarks
			Min	Typ	Max		
Reset input time	t_{RSTL}	RSTX	500	-	-	ns	

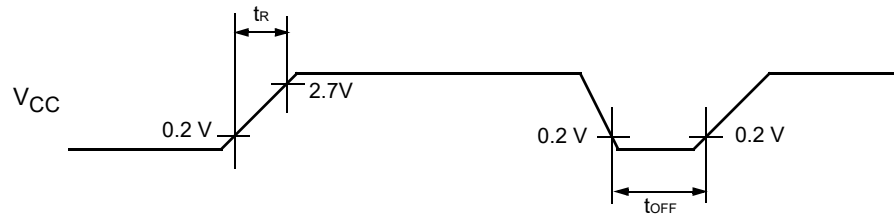




Power On Reset Timing

($T_A = -40\text{ }^\circ\text{C}$ to $125\text{ }^\circ\text{C}$, $V_{CC} = AV_{CC} = 3.0\text{ V}$ to 5.5 V , $V_{SS} = AV_{SS} = 0\text{ V}$)

Parameter	Symbol	Pin	Value			Unit	Remarks
			Min	Typ	Max		
Power on rise time	t_R	V _{CC}	0.05	-	30	ms	
Power off time	t_{OFF}	V _{CC}	1	-	-	ms	



If the power supply is changed too rapidly, a power-on reset may occur.
 We recommend a smooth startup by restraining voltages when changing the power supply voltage during operation, as shown in the figure below.



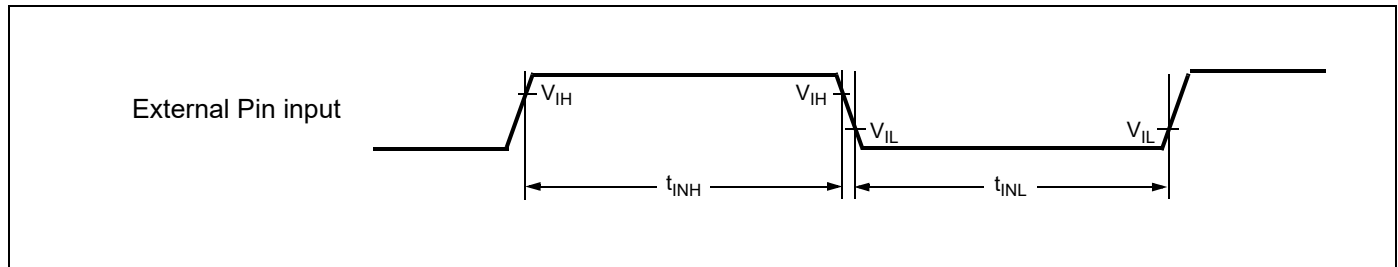


External Input Timing

(T_A = -40 °C to 125 °C, V_{CC} = AV_{CC} = 3.0 V to 5.5 V, V_{SS} = AV_{SS} = 0 V)

Parameter	Symbol	Pin	Condition	Value		Unit	Used Pin Input Function
				Min	Max		
Input pulse width	t _{INH}	INTn(_R)	-	200	-	ns	External Interrupt
		NMI(_R)					NMI
	t _{INL}	Pnn_m		2*t _{CLKP1} + 200 (t _{CLKP1} =1/f _{CLKP1})	-	ns	General Purpose IO
		TINn(_R)					Reload Timer
		TTGn(_R)					PPG Trigger input
		ADTG(_R)					AD Converter Trigger
		FRCKn(_R)					Free Running Timer external clock
		INn(_R)					Input Capture

Note : Relocated Resource Inputs have same characteristics





External Bus Timing

Note: The values given below are for an I/O driving strength $IO_{drive} = 5$ mA. If IO_{drive} is 2 mA, all the maximum output timing described in the different tables must then be increased by 10 ns.

Basic Timing

($T_A = -40$ °C to $+125$ °C, $V_{CC} = 5.0$ V \pm 10 %, $V_{SS} = 0.0$ V, $IO_{drive} = 5$ mA, $C_L = 50$ pF)

Parameter	Symbol	Pin	Condition	Value		Unit	Remarks
				Min	Max		
ECLK	t_{CYC}	ECLK	-	25	-	ns	
	t_{CHCL}			$t_{CYC}/2-5$	$t_{CYC}/2+5$		
	t_{CLCH}			$t_{CYC}/2-5$	$t_{CYC}/2+5$		
ECLK → UBX/ LBX / CSn time	t_{CHCBH}	CSn, UBX, LBX, ECLK	-	-20	+20	ns	
	t_{CHCBL}			-20	+20		
	t_{CLCBH}			-20	+20		
	t_{CLCBL}			-20	+20		
ECLK → ALE time	t_{CHLH}	ALE, ECLK	-	-10	+10	ns	
	t_{CHLL}			-10	+10		
	t_{CLLH}			-10	+10		
	t_{CLLL}			-10	+10		
ECLK → address valid time	t_{CHAV}	A[23:16], ECLK	-	-15	+15	ns	
	t_{CLAV}			-15	+15		
	t_{CLADV}	AD[15:0], ECLK	-	-15	+15	ns	
	t_{CHADV}			-15	+15		
ECLK → RDX /WRX time	t_{CHRWH}	RDX, WRX, WRLX, WRHX, ECLK	-	-10	+10	ns	
	t_{CHRWL}			-10	+10		
	t_{CLRWH}			-10	+10		
	t_{CLRWL}			-10	+10		

($T_A = -40$ °C to $+125$ °C, $V_{CC} = 3.0$ to 4.5 V, $V_{SS} = 0.0$ V, $IO_{drive} = 5$ mA, $C_L = 50$ pF)

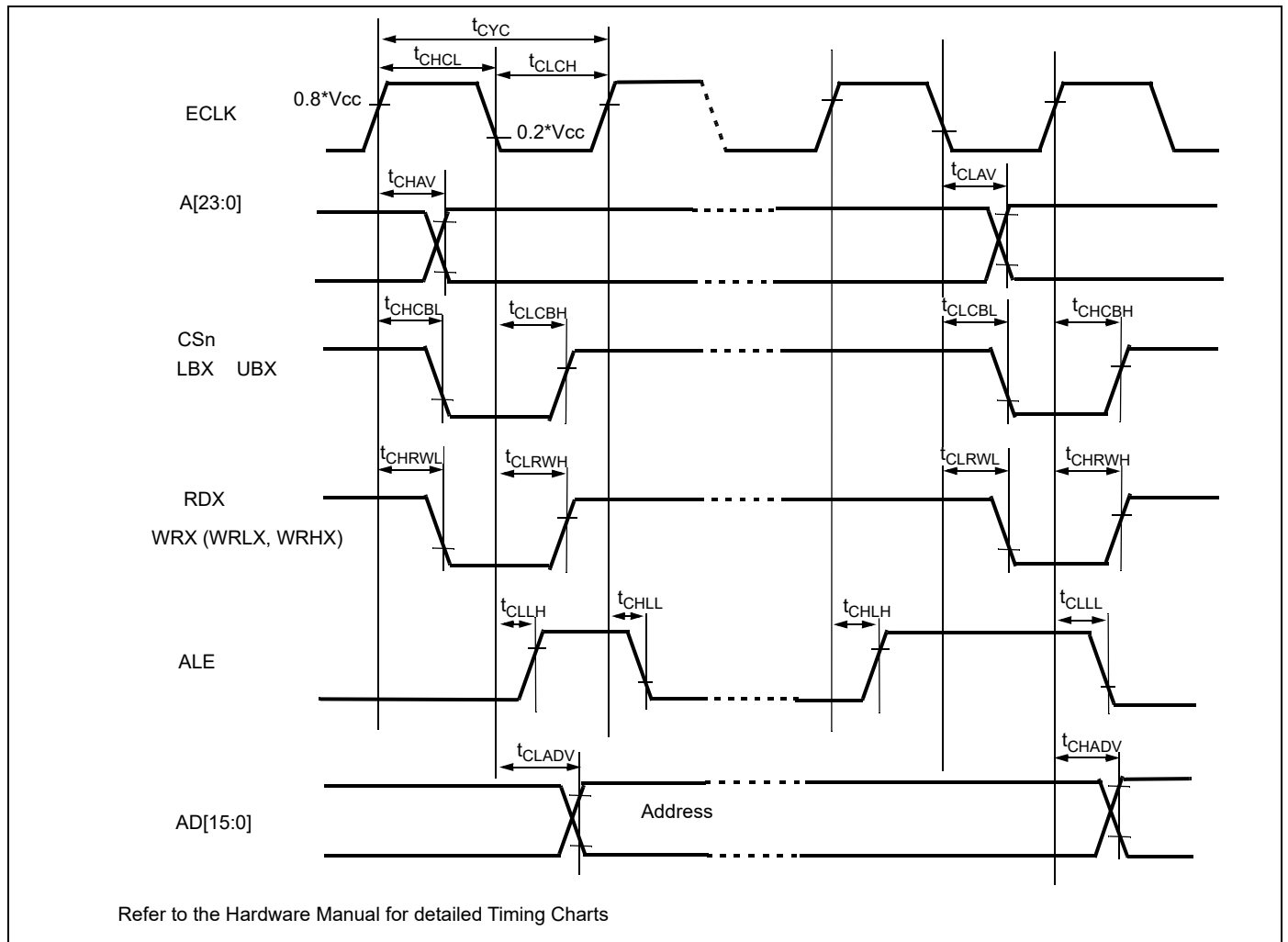
Parameter	Symbol	Pin	Condition	Value		Unit	Remarks
				Min	Max		
ECLK	t_{CYC}	ECLK	-	30	-	ns	
	t_{CHCL}			$t_{CYC}/2-8$	$t_{CYC}/2+8$		
	t_{CLCH}			$t_{CYC}/2-8$	$t_{CYC}/2+8$		
ECLK → UBX/ LBX / CSn time	t_{CHCBH}	CSn, UBX, LBX, ECLK	-	-25	+25	ns	
	t_{CHCBL}			-25	+25		
	t_{CLCBH}			-25	+25		
	t_{CLCBL}			-25	+25		
ECLK → ALE time	t_{CHLH}	ALE, ECLK	-	-15	+15	ns	
	t_{CHLL}			-15	+15		
	t_{CLLH}			-15	+15		
	t_{CLLL}			-15	+15		



CY96F353/F355
CY96F356

($T_A = -40\text{ }^\circ\text{C}$ to $+125\text{ }^\circ\text{C}$, $V_{CC} = 3.0$ to 4.5V , $V_{SS} = 0.0\text{V}$, $I_{Odrive} = 5\text{mA}$, $C_L = 50\text{pF}$)

Parameter	Symbol	Pin	Condition	Value		Unit	Remarks
				Min	Max		
ECLK → address valid time	t_{CHAV}	A[23:16], ECLK		-20	+20	ns	
	t_{CLAV}			-20	+20		
	t_{CLADV}	AD[15:0], ECLK		-20	+20	ns	
	t_{CHADV}			-20	+20		
ECLK → RDX /WRX time	t_{CHRWH}	RDX, WRX, WRLX, WRHX, ECLK	-	-15	+15	ns	
	t_{CHRWL}			-15	+15		
	t_{CLRWH}			-15	+15		
	t_{CLRWL}			-15	+15		





Bus Timing (Read)

 $(T_A = -40\text{ }^{\circ}\text{C to } +125\text{ }^{\circ}\text{C}, V_{CC} = 5.0\text{ V} \pm 10\%, V_{SS} = 0.0\text{ V}, I_{Odrive} = 5\text{ mA}, C_L = 50\text{ pF})$

Parameter	Symbol	Pin	Conditions	Value		Unit	Remarks
				Min	Max		
ALE pulse width	t_{LHLL}	ALE	EACL:STS=0 and EACL:ACE=0	$t_{CYC}/2-5$	-	ns	
			EACL:STS=1	$t_{CYC}-5$	-		
			EACL:STS=0 and EACL:ACE=1	$3t_{CYC}/2-5$	-		
Valid address ⇒ ALE ↓ time	t_{AVLL}	ALE, A[23:16],	EACL:STS=0 and EACL:ACE=0	$t_{CYC}-15$	-	ns	
			EACL:STS=1 and EACL:ACE=0	$3t_{CYC}/2-15$	-		
			EACL:STS=0 and EACL:ACE=1	$2t_{CYC}-15$	-		
			EACL:STS=1 and EACL:ACE=1	$5t_{CYC}/2-15$	-		
	t_{ADVLL}	ALE, AD[15:0]	EACL:STS=0 and EACL:ACE=0	$t_{CYC}/2-15$	-	ns	
			EACL:STS=1 and EACL:ACE=0	$t_{CYC}-15$	-		
			EACL:STS=0 and EACL:ACE=1	$3t_{CYC}/2-15$	-		
			EACL:STS=1 and EACL:ACE=1	$2t_{CYC}-15$	-		
ALE ↓ ⇒ Address valid time	t_{LLAX}	ALE, AD[15:0]	EACL:STS=0	$t_{CYC}/2-15$	-	ns	
			EACL:STS=1	-15	-		
Valid address ⇒ RDX ↓ time	t_{AVRL}	RDX, A[23:16]	EACL:ACE=0	$3t_{CYC}/2-15$	-	ns	
			EACL:ACE=1	$5t_{CYC}/2-15$	-		
	t_{ADVRL}	RDX, AD[15:0]	EACL:ACE=0	$t_{CYC}-15$	-	ns	
			EACL:ACE=1	$2t_{CYC}-15$	-		
Valid address ⇒ Valid data input	t_{AVDV}	A[23:16], AD[15:0]	EACL:ACE=0	-	$3t_{CYC}-55$	ns	w/o cycle extension
			EACL:ACE=1	-	$4t_{CYC}-55$		
	$t_{ADV DV}$	AD[15:0]	EACL:ACE=0	-	$5t_{CYC}/2-55$	ns	w/o cycle extension
			EACL:ACE=1	-	$7t_{CYC}/2-55$		
RDX pulse width	t_{RLRH}	RDX	-	$3 t_{CYC}/2-5$	-	ns	w/o cycle extension
RDX ↓ ⇒ Valid data input	t_{RLDV}	RDX, AD[15:0]	-	-	$3 t_{CYC}/2-50$	ns	w/o cycle extension
RDX ↑ ⇒ Data hold time	t_{RHDX}	RDX, AD[15:0]	-	0	-	ns	
Address valid ⇒ Data hold time	t_{AXDX}	A[23:16], AD[15:0]	-	0	-	ns	
RDX ↑ ⇒ ALE ↑ time	t_{RHLH}	RDX, ALE	EACL:STS=1 and EACL:ACE=1	$3t_{CYC}/2-10$	-	ns	
			other ECL:STS, EACL:ACE setting	$t_{CYC}/2-10$	-		



($T_A = -40\text{ }^{\circ}\text{C}$ to $+125\text{ }^{\circ}\text{C}$, $V_{CC} = 5.0\text{ V} \pm 10\%$, $V_{SS} = 0.0\text{ V}$, $I_{Odrive} = 5\text{ mA}$, $C_L = 50\text{ pF}$)

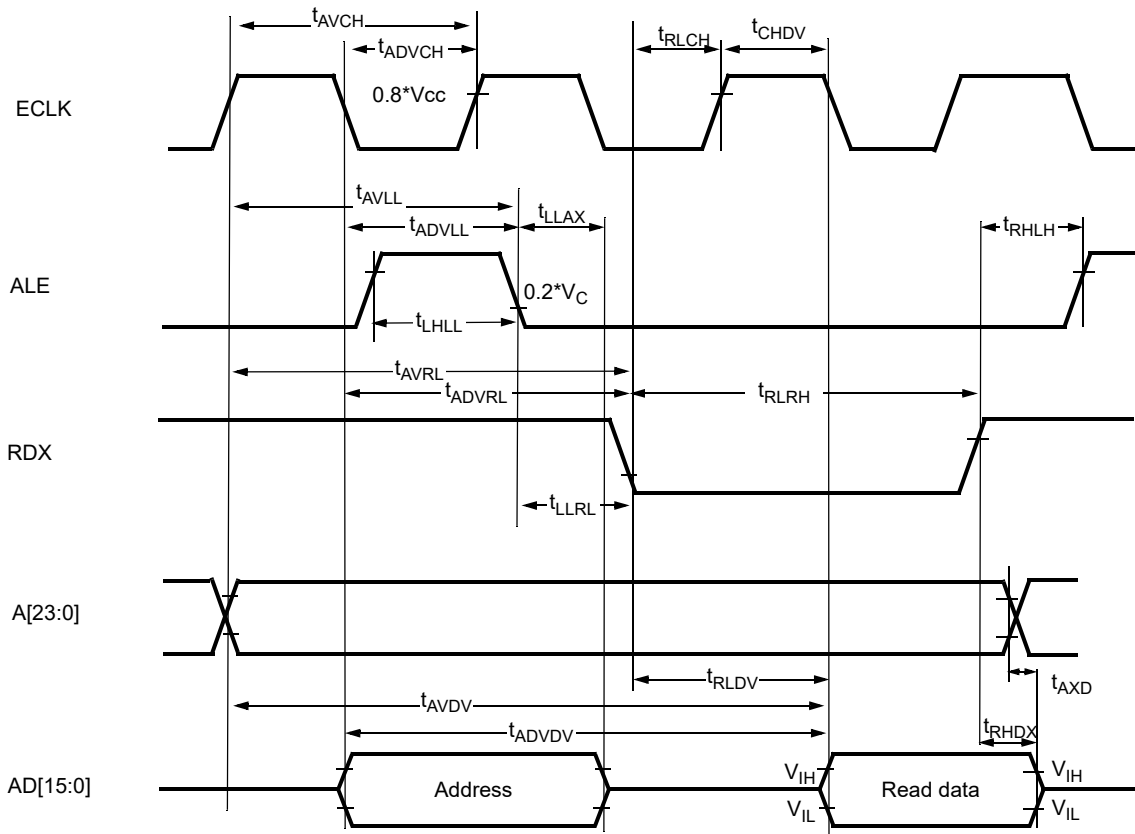
Parameter	Symbol	Pin	Conditions	Value		Unit	Remarks
				Min	Max		
Valid address ⇒ ECLK ↑ time	t_{AVCH}	A[23:16], ECLK	-	$t_{CYC}-15$	-	ns	
	t_{ADVCH}	AD[15:0], ECLK		$t_{CYC}/2-15$	-		
RDX ↓ ⇒ ECLK ↑ time	t_{RLCH}	RDX, ECLK	-	$t_{CYC}/2-10$	-	ns	
ALE ↓ ⇒ RDX ↓ time	t_{LLRL}	ALE, RDX	EACL:STS=0	$t_{CYC}/2-10$	-	ns	
			EACL:STS=1	-10	-		
ECLK ↑ ⇒ Valid data input	t_{CHDV}	AD[15:0], ECLK	-	-	$t_{CYC} - 50$	ns	

($T_A = -40\text{ }^{\circ}\text{C}$ to $+125\text{ }^{\circ}\text{C}$, $V_{CC} = 3.0$ to 4.5 V , $V_{SS} = 0.0\text{ V}$, $I_{Odrive} = 5\text{ mA}$, $C_L = 50\text{ pF}$)

Parameter	Symbol	Pin	Conditions	Value		Unit	Remarks
				Min	Max		
ALE pulse width	t_{LHLL}	ALE	EACL:STS=0 and EACL:ACE=0	$t_{CYC}/2-8$	-	ns	EBM:NMS = 0
			EACL:STS=1	$t_{CYC}-8$	-		
			EACL:STS=0 and EACL:ACE=1	$3t_{CYC}/2-8$	-		
Valid address ⇒ ALE ↓ time	t_{AVLL}	ALE, A[23:16],	EACL:STS=0 and EACL:ACE=0	$t_{CYC}-20$	-	ns	
			EACL:STS=1 and EACL:ACE=0	$3t_{CYC}/2-20$	-		
			EACL:STS=0 and EACL:ACE=1	$2t_{CYC}-20$	-		
			EACL:STS=1 and EACL:ACE=1	$5t_{CYC}/2-20$	-		
	t_{ADVLL}	ALE, AD[15:0]	EACL:STS=0 and EACL:ACE=0	$t_{CYC}/2-20$	-	ns	
			EACL:STS=1 and EACL:ACE=0	$t_{CYC}-20$	-		
			EACL:STS=0 and EACL:ACE=1	$3t_{CYC}/2-20$	-		
			EACL:STS=1 and EACL:ACE=1	$2t_{CYC}-20$	-		
ALE ↓ ⇒ Address valid time	t_{LLAX}	ALE, AD[15:0]	EACL:STS=0	$t_{CYC}/2-20$	-	ns	
			EACL:STS=1	-20	-		
Valid address ⇒ RDX ↓ time	t_{AVRL}	RDX, A[23:16]	EACL:ACE=0	$3t_{CYC}/2-20$	-	ns	
			EACL:ACE=1	$5t_{CYC}/2-20$	-		
	t_{ADVRL}	RDX, AD[15:0]	EACL:ACE=0	$t_{CYC}-20$	-	ns	
			EACL:ACE=1	$2t_{CYC}-20$	-		
Valid address ⇒ Valid data input	t_{AVDV}	A[23:16], AD[15:0]	EACL:ACE=0	-	$3t_{CYC}-60$	ns	w/o cycle extension
			EACL:ACE=1	-	$4t_{CYC}-60$		
	$t_{ADV DV}$	AD[15:0]	EACL:ACE=0	-	$5t_{CYC}/2-60$	ns	w/o cycle extension
			EACL:ACE=1	-	$7t_{CYC}/2-60$		

(T_A = -40 °C to +125 °C, V_{CC} = 3.0 to 4.5 V, V_{SS} = 0.0 V, I_{Odrive} = 5 mA, C_L = 50 pF)

Parameter	Symbol	Pin	Conditions	Value		Unit	Remarks
				Min	Max		
RDX pulse width	t _{RLRH}	RDX	-	3t _{CYC} /2-8	-	ns	w/o cycle extension
RDX ↓ ⇒ Valid data input	t _{RLDV}	RDX, AD[15:0]	-	-	3t _{CYC} /2-55	ns	w/o cycle extension
RDX ↑ ⇒ Data hold time	t _{RHDX}	RDX, AD[15:0]	-	0	-	ns	
Address valid ⇒ Data hold time	t _{AXDX}	A[23:0]	-	0	-	ns	
RDX ↑ ⇒ ALE ↑ time	t _{RHLH}	RDX, ALE	EACL:STS=1 and EACL:ACE=1	3t _{CYC} /2-15	-	ns	
			other ECL:STS, EACL:ACE setting	t _{CYC} /2-15	-		
Valid address ⇒ ECLK ↑ time	t _{AVCH}	A[23:0], ECLK	-	t _{CYC} -20	-	ns	
	t _{ADVCH}	AD[15:0], ECLK		t _{CYC} /2-20	-		
RDX ↓ ⇒ ECLK ↑ time	t _{RLCH}	RDX, ECLK	-	t _{CYC} /2-15	-	ns	
ALE ↓ ⇒ RDX ↓ time	t _{LLRL}	ALE, RDX	EACL:STS=0	t _{CYC} /2-15	-	ns	
			EACL:STS=1	-15	-		
ECLK ↑ ⇒ Valid data input	t _{CHDV}	AD[15:0], ECLK	-	-	t _{CYC} -55	ns	



Refer to the Hardware Manual for detailed Timing Charts



Bus Timing (Write)

 $(T_A = -40\text{ }^{\circ}\text{C to } +125\text{ }^{\circ}\text{C}, V_{CC} = 5.0\text{ V} \pm 10\%, V_{SS} = 0.0\text{ V}, I_{Odrive} = 5\text{ mA}, C_L = 50\text{ pF})$

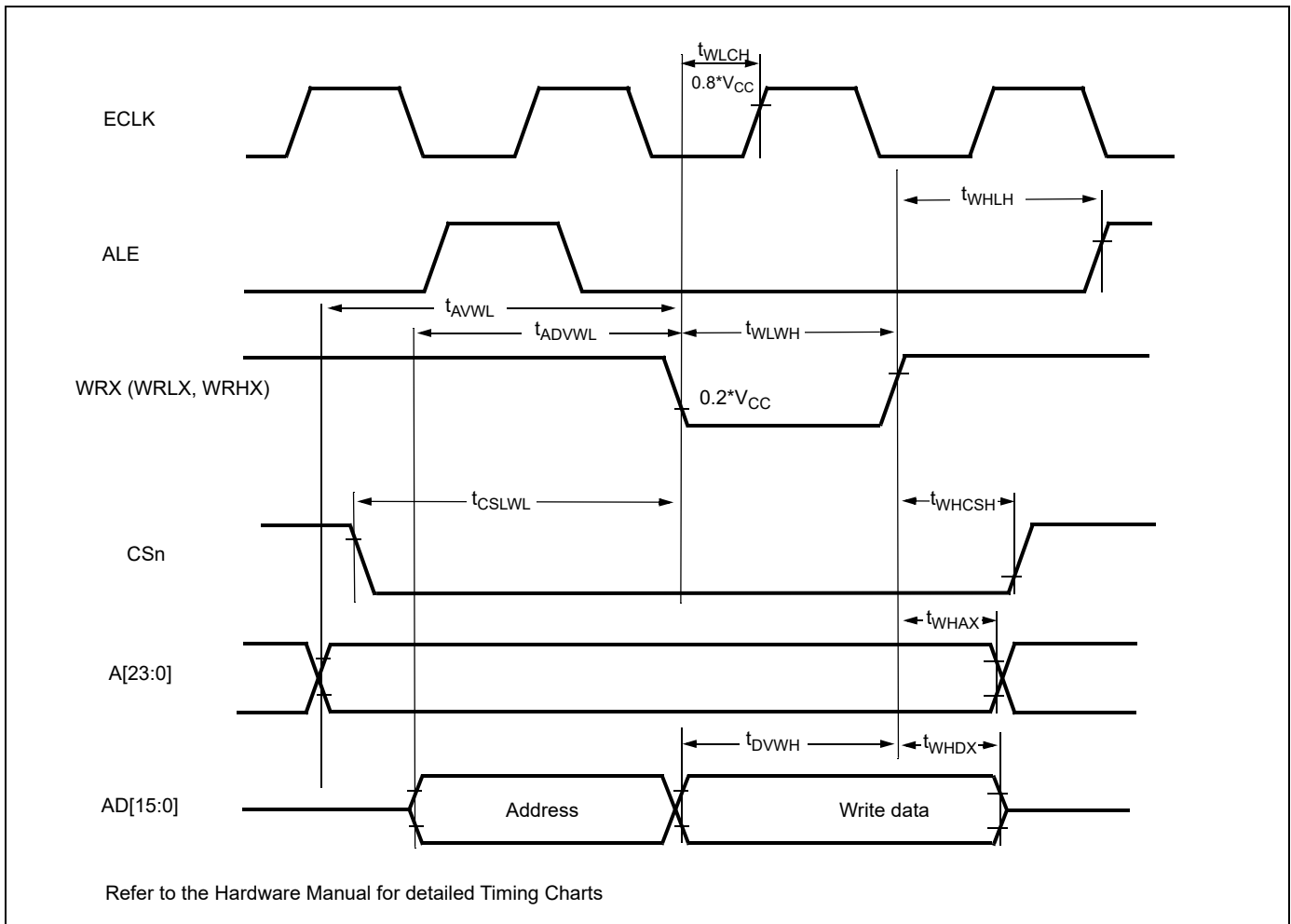
Parameter	Symbol	Pin	Condition	Value		Unit	Remarks
				Min	Max		
Valid address ⇒ WRX ↓ time	t _{AVWL}	WRX, WRLX, WRHX, A[23:16]	EACL:ACE=0	3t _{CYC} /2-15	-	ns	
			EACL:ACE=1	5t _{CYC} /2-15	-		
	t _{ADVWL}	WRX, WRLX, WRHX, AD[15:0]	EACL:ACE=0	t _{CYC} -15	-	ns	
			EACL:ACE=1	2t _{CYC} -15	-		
WRX pulse width	t _{WLWH}	WRX, WRXL, WRHX	-	t _{CYC} -5	-	ns	w/o cycle extension
Valid data output ⇒ WRX ↑ time	t _{DVWH}	WRX, WRLX, WRHX, AD[15:0]	-	t _{CYC} -20	-	ns	w/o cycle extension
WRX ↑ ⇒ Data hold time	t _{WHDX}	WRX, WRLX, WRHX, AD[15:0]	-	t _{CYC} /2-15	-	ns	
WRX ↑ ⇒ Address valid time	t _{WHAX}	WRX, WRLX, WRHX, A[23:16]	EBM:NMS=0	t _{CYC} /2-15	-	ns	
WRX ↑ ⇒ ALE ↑ time	t _{WHLH}	WRX, WRLX, WRHX, ALE	EBM:ACE=1 and EACL:STS=1	2t _{CYC} -10	-	ns	
			other EBM:ACE and EACL:STS setting	t _{CYC} -10	-		
WRX ↓ ⇒ ECLK ↑ time	t _{WLCH}	WRX, WRLX, WRHX, ECLK	-	t _{CYC} /2-10	-	ns	
CSn ⇒ WRX time	t _{CSLWL}	WRX, WRLX, WRHX, CSn	EACL:ACE=0 EBM:NMS=0	-	3t _{CYC} /2-15	ns	
			EACL:ACE=1 EBM:NMS=0	-	5t _{CYC} /2-15		
WRX ⇒ CSn time	t _{WHCSH}	WRX, WRLX, WRHX, CSn	EBM:NMS=0	t _{CYC} /2-15	-	ns	

 $(T_A = -40\text{ }^{\circ}\text{C to } +125\text{ }^{\circ}\text{C}, V_{CC} = 3.0\text{ to } 4.5\text{ V}, V_{SS} = 0.0\text{ V}, I_{Odrive} = 5\text{ mA}, C_L = 50\text{ pF})$

Parameter	Symbol	Pin	Condition	Value		Unit	Remarks
				Min	Max		
Valid address ⇒ WRX ↓ time	t _{AVWL}	WRX, WRLX, WRHX, A[23:16]	EACL:ACE=0	3t _{CYC} /2-20	-	ns	
			EACL:ACE=1	5t _{CYC} /2-20	-		
	t _{ADVWL}	WRX, WRLX, WRHX, AD[15:0]	EACL:ACE=0	t _{CYC} -20	-	ns	
			EACL:ACE=1	2t _{CYC} -20	-		

(T_A = -40 °C to +125 °C, V_{CC} = 3.0 to 4.5 V, V_{SS} = 0.0 V, I_{Odrive} = 5 mA, C_L = 50 pF)

Parameter	Symbol	Pin	Condition	Value		Unit	Remarks
				Min	Max		
WRX pulse width	t _{WLWH}	WRX, WRXL, WRHX	-	t _{CYC} -8	-	ns	w/o cycle extension
Valid data output ⇒ WRX ↑ time	t _{DVWH}	WRX, WRLX, WRHX, AD[15:0]	-	t _{CYC} -25	-	ns	w/o cycle extension
WRX ↑ ⇒ Data hold time	t _{WHDX}	WRX, WRLX, WRHX, AD[15:0]	-	t _{CYC} /2-20	-	ns	
WRX ↑ ⇒ Address valid time	t _{WHAX}	WRX, WRLX, WRHX, A[23:16]	-	t _{CYC} /2-20	-	ns	
WRX ↑ ⇒ ALE ↑ time	t _{WHLH}	WRX, WRLX, WRHX, ALE	EBM:ACE=1 and EACL:STS=1	2t _{CYC} -15	-	ns	
			other EBM:ACE and EACL:STS setting	t _{CYC} -15	-		
WRX ↓ ⇒ ECLK ↑ time	t _{WLCH}	WRX, WRLX, WRHX, ECLK	-	t _{CYC} /2-15	-	ns	
CSn ⇒ WRX time	t _{CSLWL}	WRX, WRLX, WRHX, CSn	EACL:ACE=0	-	3t _{CYC} /2-20	ns	
			EACL:ACE=1	-	5t _{CYC} /2-20		
WRX ⇒ CSn time	t _{WHCSH}	WRX, WRLX, WRHX, CSn	-	t _{CYC} /2-20	-	ns	





Ready Input Timing

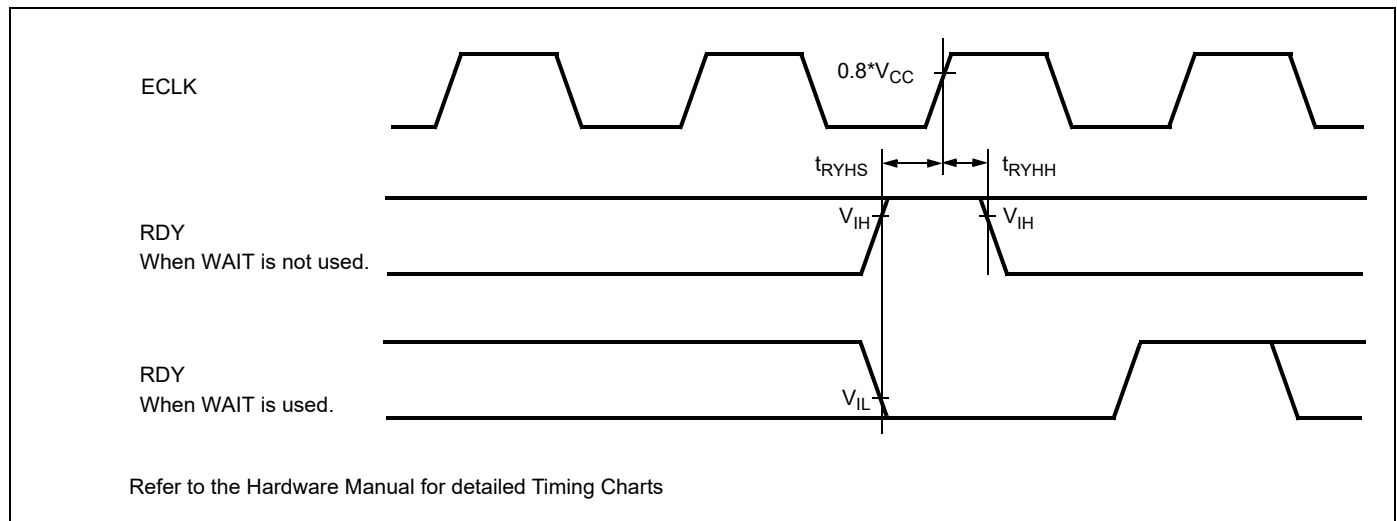
($T_A = -40\text{ }^{\circ}\text{C}$ to $+125\text{ }^{\circ}\text{C}$, $V_{CC} = 5.0\text{ V} \pm 10\%$, $V_{SS} = 0.0\text{ V}$, $I_{Odrive} = 5\text{ mA}$, $C_L = 50\text{ pF}$)

Parameter	Symbol	Pin	Test Condition	Rated Value		Units	Remarks
				Min	Max		
RDY setup time	t_{RYHS}	RDY	-	35	-	ns	
RDY hold time	t_{RYHH}	RDY	-	0	-	ns	

($T_A = -40\text{ }^{\circ}\text{C}$ to $+125\text{ }^{\circ}\text{C}$, $V_{CC} = 3.0$ to 4.5 V , $V_{SS} = 0.0\text{ V}$, $I_{Odrive} = 5\text{ mA}$, $C_L = 50\text{ pF}$)

Parameter	Symbol	Pin	Test Condition	Rated Value		Units	Remarks
				Min	Max		
RDY setup time	t_{RYHS}	RDY	-	45	-	ns	
RDY hold time	t_{RYHH}	RDY	-	0	-	ns	

Note : If the RDY setup time is insufficient, use the auto-ready function.





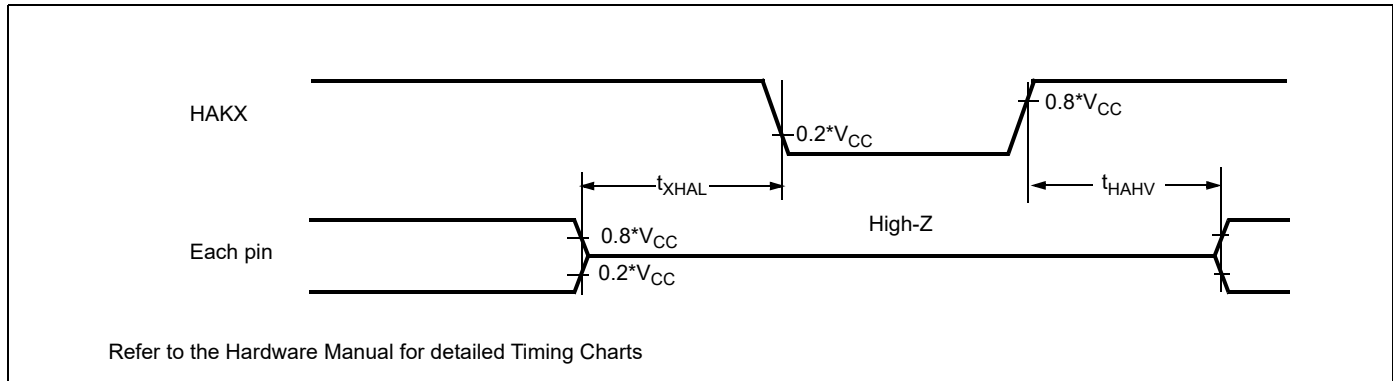
Hold Timing

($T_A = -40\text{ }^{\circ}\text{C}$ to $+125\text{ }^{\circ}\text{C}$, $V_{CC} = 5.0\text{ V} \pm 10\%$, $V_{SS} = 0.0\text{ V}$, $I_{Odrive} = 5\text{ mA}$, $C_L = 50\text{ pF}$)

Parameter	Symbol	Pin	Condition	Value		Units	Remarks
				Min	Max		
Pin floating \Rightarrow HAKX \downarrow time	t_{XHAL}	HAKX	-	$t_{CYC}-20$	$t_{CYC} + 20$	ns	
HAKX \uparrow time \Rightarrow Pin valid time	t_{HAHV}	HAKX		$t_{CYC}-20$	$t_{CYC} + 20$	ns	

($T_A = -40\text{ }^{\circ}\text{C}$ to $+125\text{ }^{\circ}\text{C}$, $V_{CC} = 3.0$ to 4.5 V , $V_{SS} = 0.0\text{ V}$, $I_{Odrive} = 5\text{ mA}$, $C_L = 50\text{ pF}$)

Parameter	Symbol	Pin	Condition	Value		Units	Remarks
				Min	Max		
Pin floating \Rightarrow HAKX \downarrow time	t_{XHAL}	HAKX	-	$t_{CYC}-25$	$t_{CYC} + 25$	ns	
HAKX \uparrow time \Rightarrow Pin valid time	t_{HAHV}	HAKX		$t_{CYC}-25$	$t_{CYC} + 25$	ns	





USART Timing

Note: The values given below are for an I/O driving strength $I_{Odrive} = 5$ mA. If I_{Odrive} is 2 mA, all the maximum output timing described in the different tables must then be increased by 10 ns.

($T_A = -40$ °C to 125 °C, $V_{CC} = 3.0$ V to 5.5 V, $V_{SS} = AV_{SS} = 0$ V, $I_{Odrive} = 5$ mA, $C_L = 50$ pF)

Parameter	Symbol	Pin	Condition	$V_{CC} = AV_{CC} = 4.5$ V to 5.5 V		$V_{CC} = AV_{CC} = 3.0$ V to 4.5 V		Unit
				Min	Max	Min	Max	
Serial clock cycle time	t_{SCYCI}	SCKn	Internal Shift Clock Mode	$4 t_{CLKP1}$	-	$4 t_{CLKP1}$	-	ns
SCK ↓ → SOT delay time	t_{SLOVI}	SCKn, SOTn		-20	+20	-30	+30	ns
SOT → SCK ↑ delay time	t_{OVSHI}	SCKn, SOTn		$N * t_{CLKP1} - 20$	-	$N * t_{CLKP1} - 30$	-	ns
Valid SIN → SCK ↑	t_{IVSHI}	SCKn, SINn		$t_{CLKP1} + 45$	-	$t_{CLKP1} + 55$	-	ns
SCK ↑ → Valid SIN hold time	t_{SHIXI}	SCKn, SINn		0	-	0	-	ns
Serial clock "L" pulse width	t_{SLSHE}	SCKn	External Shift Clock Mode	$t_{CLKP1} + 10$	-	$t_{CLKP1} + 10$	-	ns
Serial clock "H" pulse width	t_{SHSLE}	SCKn		$t_{CLKP1} + 10$	-	$t_{CLKP1} + 10$	-	ns
SCK ↓ → SOT delay time	t_{SLOVE}	SCKn, SOTn		-	$2 t_{CLKP1} + 45$	-	$2 t_{CLKP1} + 55$	ns
Valid SIN → SCK ↑	t_{IVSHE}	SCKn, SINn		$t_{CLKP1}/2 + 10$	-	$t_{CLKP1}/2 + 10$	-	ns
SCK ↑ → Valid SIN hold time	t_{SHIXE}	SCKn, SINn		$t_{CLKP1} + 10$	-	$t_{CLKP1} + 10$	-	ns
SCK fall time	t_{FE}	SCKn		-	20	-	20	ns
SCK rise time	t_{RE}	SCKn		-	20	-	20	ns

Notes:

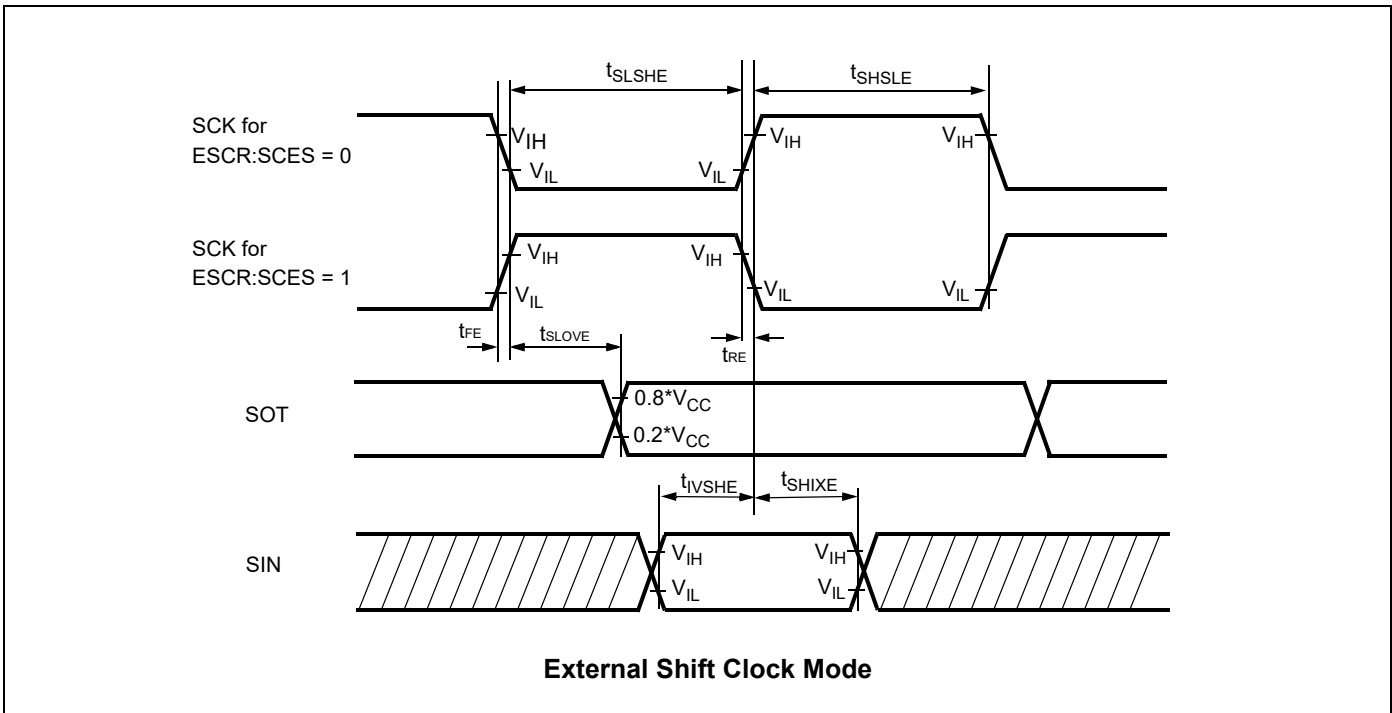
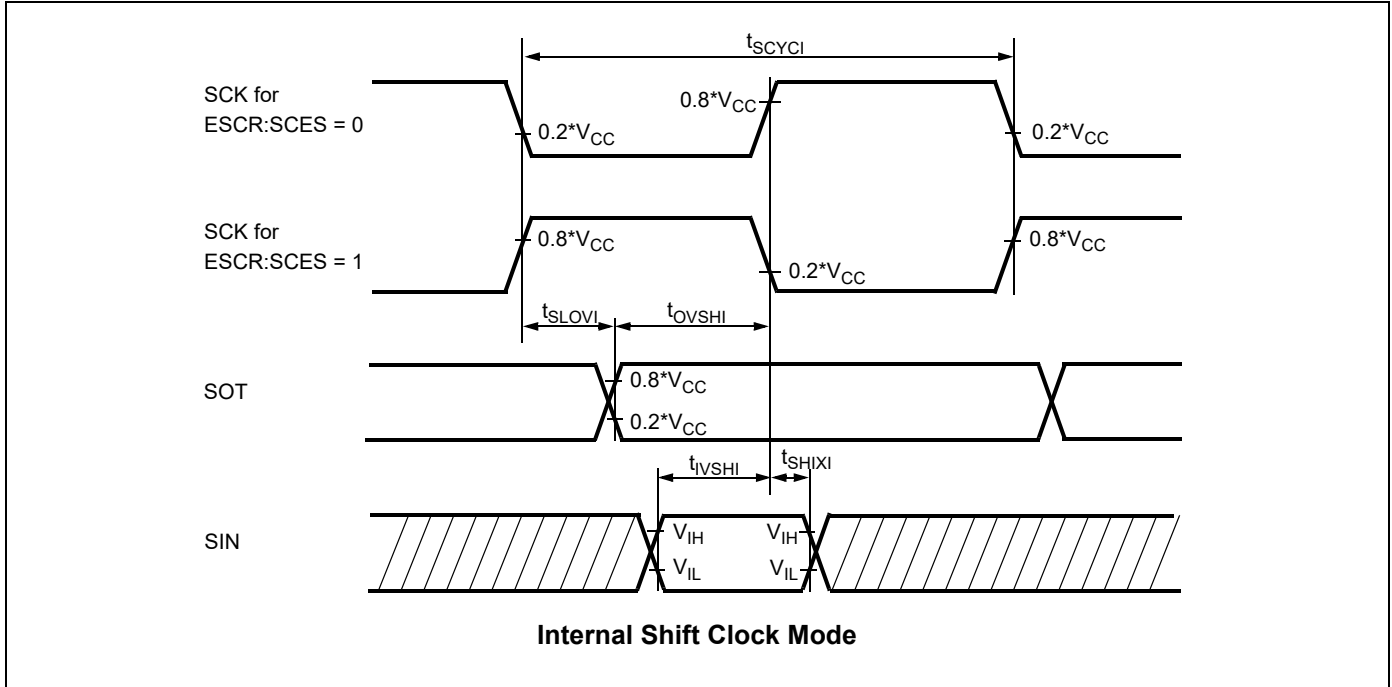
- ? AC characteristic in CLK synchronized mode.
- ? C_L is the load capacity value of pins when testing.
- ? Depending on the used machine clock frequency, the maximum possible baud rate can be limited by some parameters. These parameters are shown in "CY96300 Super series Hardware Manual"
- ? t_{CLKP1} is the cycle time of the peripheral clock 1 (CLKP1), Unit : ns

*1: Parameter N depends on t_{SCYCI} and can be calculated as follows:

- ? if $t_{SCYCI} = 2 * k * t_{CLKP1}$, then $N = k$, where k is an integer > 2
- ? if $t_{SCYCI} = (2 * k + 1) * t_{CLKP1}$, then $N = k + 1$, where k is an integer > 1

Examples:

t_{SCYCI}	N
$4 * t_{CLKP1}$	2
$5 * t_{CLKP1}, 6 * t_{CLKP1}$	3
$7 * t_{CLKP1}, 8 * t_{CLKP1}$	4
...	...





I²C Timing

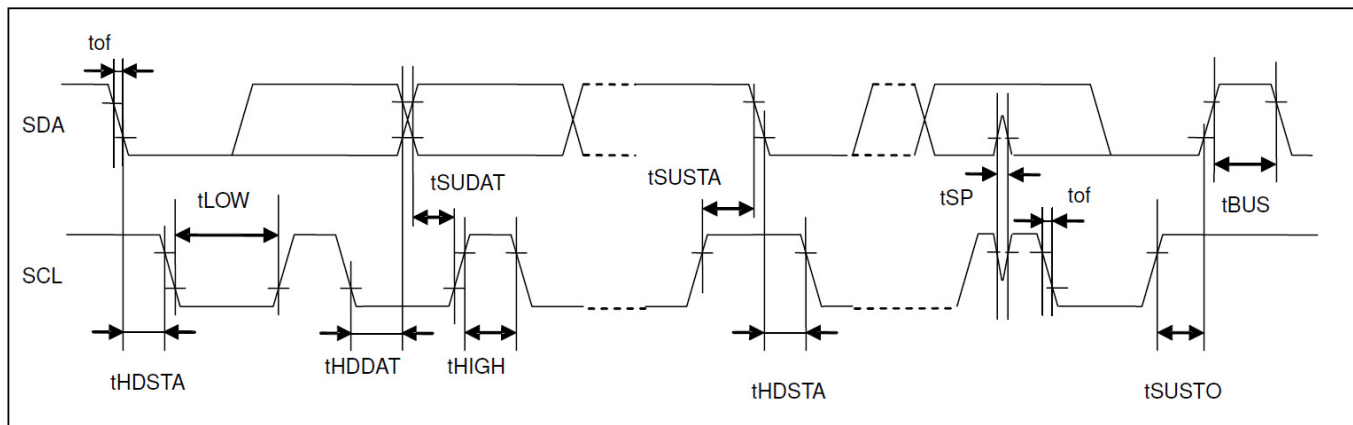
(T_A = -40 °C to 125 °C, V_{CC} = AV_{CC} = 3.0 V to 5.5 V, V_{SS} = AV_{SS} = 0 V)

Parameter	Symbol	Standard-mode		Fast-mode ^{*1}		Unit
		Min	Max	Min	Max	
SCL clock frequency	f _{SCL}	0	100	0	400	kHz
Hold time (repeated) START condition SDA↓→SCL↓	t _{HDSTA}	4.0	-	0.6	-	μs
"L" width of the SCL clock	t _{LOW}	4.7	-	1.3	-	μs
"H" width of the SCL clock	t _{HIGH}	4.0	-	0.6	-	μs
Set-up time for a repeated START condition SCL↑→SDA↓	t _{SUSTA}	4.7	-	0.6	-	μs
Data hold time SCL↓→SDA↓↑	t _{HDDAT}	0	3.45	0	0.9	μs
Data set-up time SDA↓↑→SCL↑	t _{SUDAT}	250	-	100	-	ns
Set-up time for STOP condition SCL↑→SDA↑	t _{SUSTO}	4.0	-	0.6	-	μs
Bus free time between a STOP and START condition	t _{BUS}	4.7	-	1.3	-	μs
Output fall time from 0.7*V _{CC} to 0.3*V _{CC} with a bus capacitance from 10 pF to 400 pF	t _{of}	20 + 0.1*C _b ^{*2}	300	20 + 0.1*C _b ^{*2}	300	ns
Capacitive load for each bus line	C _b	-	400	-	400	pF
Pulse width of spikes which will be suppressed by input noise filter	t _{SP}	N/A	N/A	0	1* ¹ t _{CLKP1} ^{*3}	ns

*1: For use at over 100 kHz, set the peripheral clock 1 to at least 6 MHz.

*2: C_b = capacitance of one bus line in pF.

*3: t_{CLKP1} is the cycle time of the peripheral clock CLKP1.



- V_{OH} = 0.7 * V_{CC}
- V_{OL} = 0.3 * V_{CC}
- CMOS Hysteresis 0.7/0.3 input selected



Analog Digital Converter

 $(T_A = -40\text{ }^\circ\text{C to } +125\text{ }^\circ\text{C}, 3.0\text{ V} \leq \text{AVRH} - \text{AVRL}, V_{CC} = \text{AV}_{CC} = 3.0\text{ V to } 5.5\text{ V}, V_{SS} = \text{AV}_{SS} = 0\text{ V})$

Parameter	Symbol	Pin	Value			Unit	Remarks
			Min	Typ	Max		
Resolution	-	-	-	-	10	bit	
Total error	-	-	-	-	+3	LSB	
Nonlinearity error	-	-	-	-	+2.5	LSB	
Differential nonlinearity error	-	-	-	-	+1.9	LSB	
Zero reading voltage	V_{OT}	ANn	AVRL-1.5 LSB	AVRL+0.5 LSB	AVRL+2.5 LSB	V	
Full scale reading voltage	V_{FST}	ANn	AVRH-3.5 LSB	AVRH-1.5 LSB	AVRH+0.5 LSB	V	
Compare time	-	-	1.0	-	16,500	μs	$4.5\text{ V} \leq \text{AV}_{CC} \leq 5.5\text{ V}$
			2.0	-	-	μs	$3.0\text{ V} \leq \text{AV}_{CC} < 4.5\text{ V}$
Sampling time	-	-	0.5	-	-	μs	$4.5\text{ V} \leq \text{AV}_{CC} \leq 5.5\text{ V}$
			1.2	-	-	μs	$3.0\text{ V} \leq \text{AV}_{CC} < 4.5\text{ V}$
Analog input leakage current (during conversion)	I_{AIN}	ANn	-1	-	+1	μA	$T_A \leq 105\text{ }^\circ\text{C}$, AVSS, AVRL < VI < AVCC, AVRH
			-1.2	-	+1.2	μA	$105\text{ }^\circ\text{C} < T_A \leq 125\text{ }^\circ\text{C}$, AVSS, AVRL < VI < AVCC, AVRH
Analog input voltage range	V_{AIN}	ANn	AVRL	-	AVRH	V	
Reference voltage range	AVRH	AVRH	0.75 AV_{CC}	-	AV_{CC}	V	
	AVRL	AVRL	AV_{SS}	-	0.25 AV_{CC}	V	
Power supply current	I_A	AV_{CC}	-	2.5	5	mA	A/D Converter active
	I_{AH}	AV_{CC}	-	-	5	μA	A/D Converter not operated
Reference voltage current	I_R	AVRH/AVRL	-	0.7	1	mA	A/D Converter active
	I_{RH}	AVRH/AVRL	-	-	5	μA	A/D Converter not operated
Offset between input channels	-	ANn	-	-	4	LSB	

Note: The accuracy gets worse as $|\text{AVRH} - \text{AVRL}|$ becomes smaller.



Definition of A/D Converter Terms

Resolution: Analog variation that is recognized by an A/D converter.

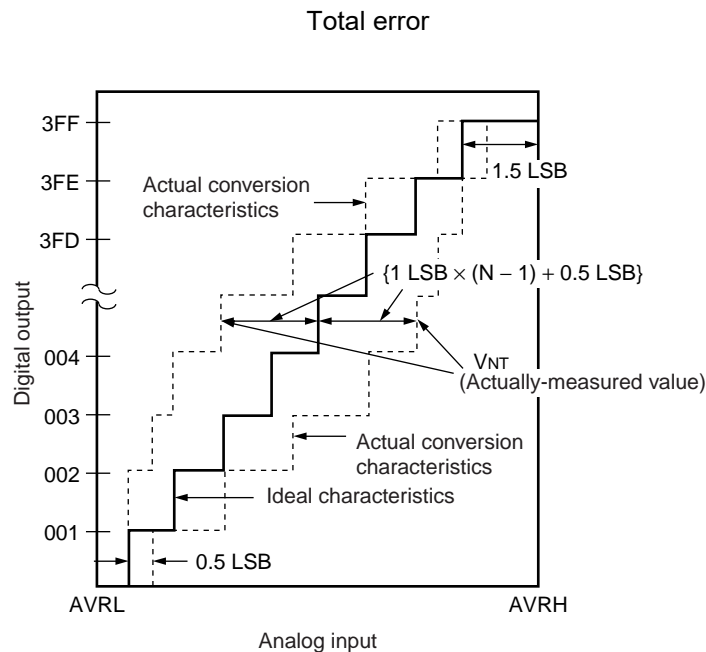
Total error: Difference between the actual value and the ideal value. The total error includes zero transition error, full-scale transition error and nonlinearity error.

Nonlinearity error: Deviation between a line across zero-transition line (“00 0000 0000” <--> “00 0000 0001”) and full-scale transition line (“11 1111 1110” <--> “11 1111 1111”) and actual conversion characteristics.

Differential nonlinearity error: Deviation of input voltage, which is required for changing output code by 1 LSB, from an ideal value.

Zero reading voltage: Input voltage which results in the minimum conversion value.

Full scale reading voltage: Input voltage which results in the maximum conversion value.



$$\text{Total error of digital output "N"} = \frac{V_{NT} - \{1 \text{ LSB} \times (N - 1) + 0.5 \text{ LSB}\}}{1 \text{ LSB}} \quad [\text{LSB}]$$

$$1 \text{ LSB} = (\text{Ideal value}) \frac{AVRH - AVRL}{1024} \quad [\text{V}]$$

N: A/D converter digital output value

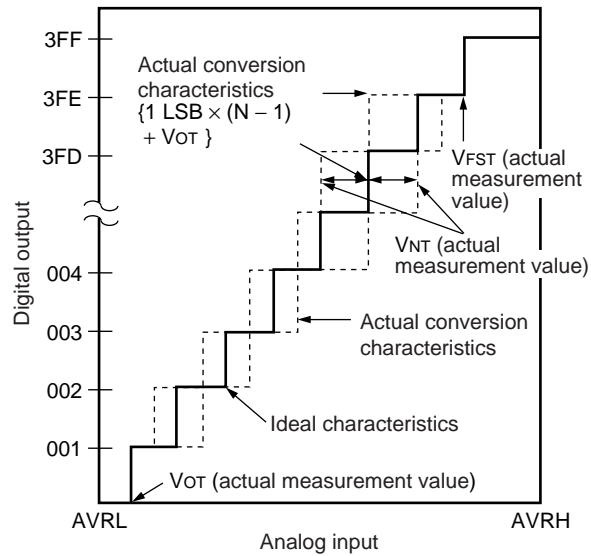
$$V_{OT} (\text{Ideal value}) = AVRL + 0.5 \text{ LSB} \quad [\text{V}]$$

$$V_{FST} (\text{Ideal value}) = AVRH - 1.5 \text{ LSB} \quad [\text{V}]$$

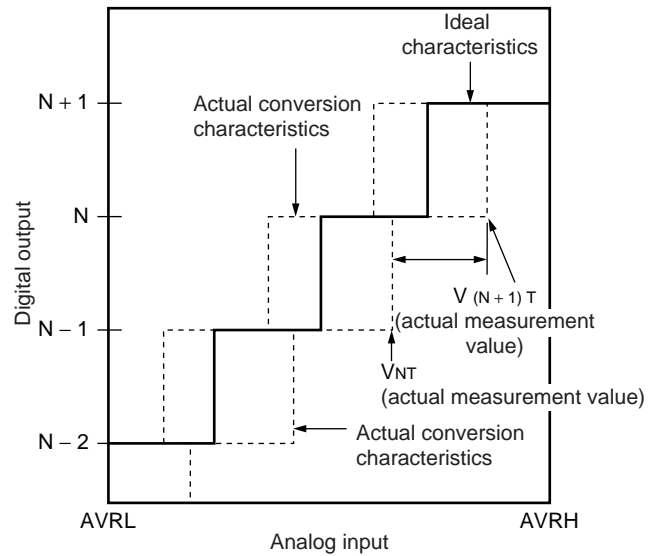
V_{NT} : A voltage at which digital output transitions from (N - 1) to N.



Nonlinearity error



Differential nonlinearity error



$$\text{Nonlinearity error of digital output } N = \frac{V_{NT} - \{1 \text{ LSB} \times (N - 1) + V_{OT}\}}{1 \text{ LSB}} \text{ [LSB]}$$

$$\text{Differential nonlinearity error of digital output } N = \frac{V_{(N+1)T} - V_{NT}}{1 \text{ LSB}} - 1 \text{ LSB [LSB]}$$

$$1 \text{ LSB} = \frac{V_{FST} - V_{OT}}{1022} \text{ [V]}$$

N: A/D converter digital output value

V_{OT} : Voltage at which digital output transits from "000_H" to "001_H."

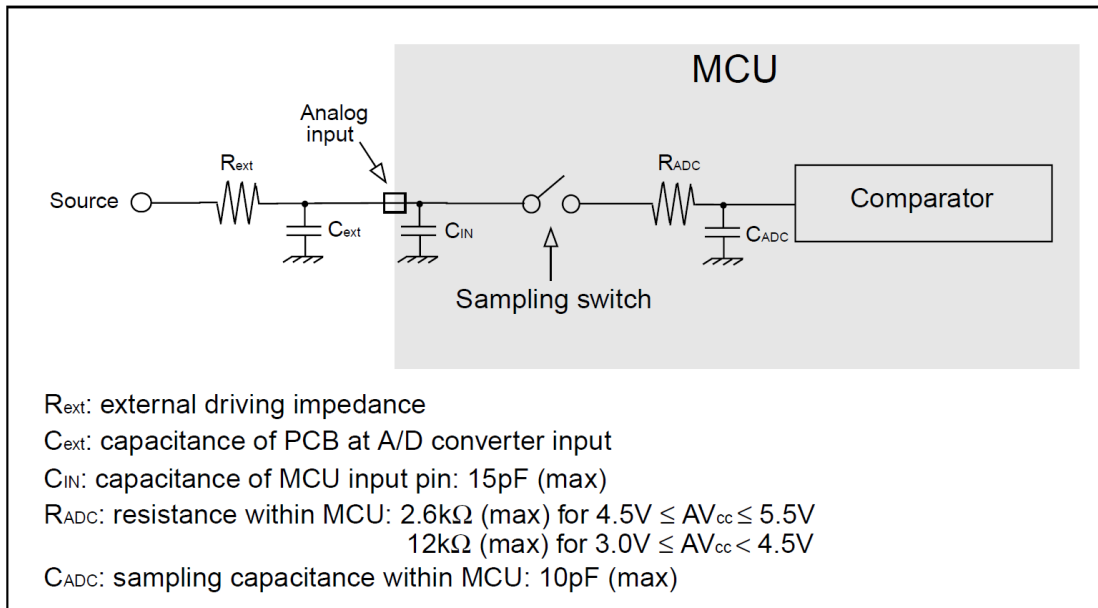
V_{FST} : Voltage at which digital output transits from "3FE_H" to "3FF_H."



Accuracy and setting of the A/D Converter sampling time

If the external impedance is too high or the sampling time too short, the analog voltage charged to the internal sample and hold capacitor is insufficient, adversely affecting the A/D conversion precision.

To satisfy the A/D conversion precision, a sufficient sampling time must be selected. The required sampling time depends on the external driving impedance R_{ext} , the board capacitance of the A/D converter input pin C_{ext} and the AV_{cc} voltage level. The following replacement model can be used for the calculation:





The sampling time should be set to minimum “ 7τ ”. The following approximation formula for the replacement model above can be used:

$$T_{\text{samp}} [\text{min}] = 7 \times (R_{\text{ext}} \times (C_{\text{ext}} + C_{\text{IN}}) + (R_{\text{ext}} + R_{\text{ADC}}) \times C_{\text{ADC}})$$

- ? Do not select a sampling time below the absolute minimum permitted value (0.5 μs for $4.5 \text{ V} \leq AV_{\text{CC}} \leq 5.5 \text{ V}$; 1.2 μs for $3.0 \text{ V} \leq AV_{\text{CC}} < 4.5 \text{ V}$).
- ? If the sampling time cannot be sufficient, connect a capacitor of about 0.1 μF to the analog input pin. In this case the internal sampling capacitance C_{ADC} will be charged out of this external capacitance.
- ? A big external driving impedance also adversely affects the A/D conversion precision due to the pin input leakage current I_{IL} (static current before the sampling switch) or the analog input leakage current I_{AIN} (total leakage current of pin input and comparator during sampling). The effect of the pin input leakage current I_{IL} cannot be compensated by an external capacitor.
- ? The accuracy gets worse as $|AV_{\text{RH}} - AV_{\text{RL}}|$ becomes smaller.

Low Voltage Detector Characteristics

($T_{\text{A}} = -40 \text{ }^{\circ}\text{C}$ to $+125 \text{ }^{\circ}\text{C}$, $V_{\text{CC}} = AV_{\text{CC}} = 3.0 \text{ V} - 5.5 \text{ V}$, $V_{\text{SS}} = AV_{\text{SS}} = 0 \text{ V}$)

Parameter	Symbol	Value *1		Value *2		Unit	Remarks
		Min	Max	Min	Max		
Stabilization time	$T_{\text{LV DSTAB}}$	-	75	-	110	μs	After power-up or change of detection level
Level 0	V_{DL0}	2.7	2.9	2.5	2.9	V	CILCR:LVL[3:0]="0000"
Level 1	V_{DL1}	2.9	3.1	2.8	3.2	V	CILCR:LVL[3:0]="0001"
Level 2	V_{DL2}	3.1	3.3	3	3.4	V	CILCR:LVL[3:0]="0010"
Level 3	V_{DL3}	3.5	3.75	3.35	3.8	V	CILCR:LVL[3:0]="0011"
Level 4	V_{DL4}	3.6	3.85	3.5	3.95	V	CILCR:LVL[3:0]="0100"
Level 5	V_{DL5}	3.7	3.95	3.6	4.1	V	CILCR:LVL[3:0]="0101"
Level 6	V_{DL6}	3.8	4.05	3.7	4.2	V	CILCR:LVL[3:0]="0110"
Level 7	V_{DL7}	3.9	4.15	3.8	4.3	V	CILCR:LVL[3:0]="0111"
Level 8	V_{DL8}	4.0	4.25	3.9	4.4	V	CILCR:LVL[3:0]="1000"
Level 9	V_{DL9}	4.1	4.35	3.95	4.5	V	CILCR:LVL[3:0]="1001"
Level 10	V_{DL10}	not used		not used		-	
Level 11	V_{DL11}	not used		not used		-	
Level 12	V_{DL12}	not used		2.6	3	V	CILCR:LVL[3:0]="1100"
Level 13	V_{DL13}	not used		not used		-	
Level 14	V_{DL14}	not used		not used		-	
Level 15	V_{DL15}	not used		not used		-	

*1: Valid for all devices except devices listed under “*2”

*2: Valid for: CY96F353/F355

CILCR:LVL[3:0] are the low voltage detector level select bits of the CILCR register.

For correct detection, the slope of the voltage level must satisfy $\left| \frac{dV}{dt} \right| \leq 0.004 \frac{\text{V}}{\mu\text{s}}$.

Faster variations are regarded as noise and may not be detected.

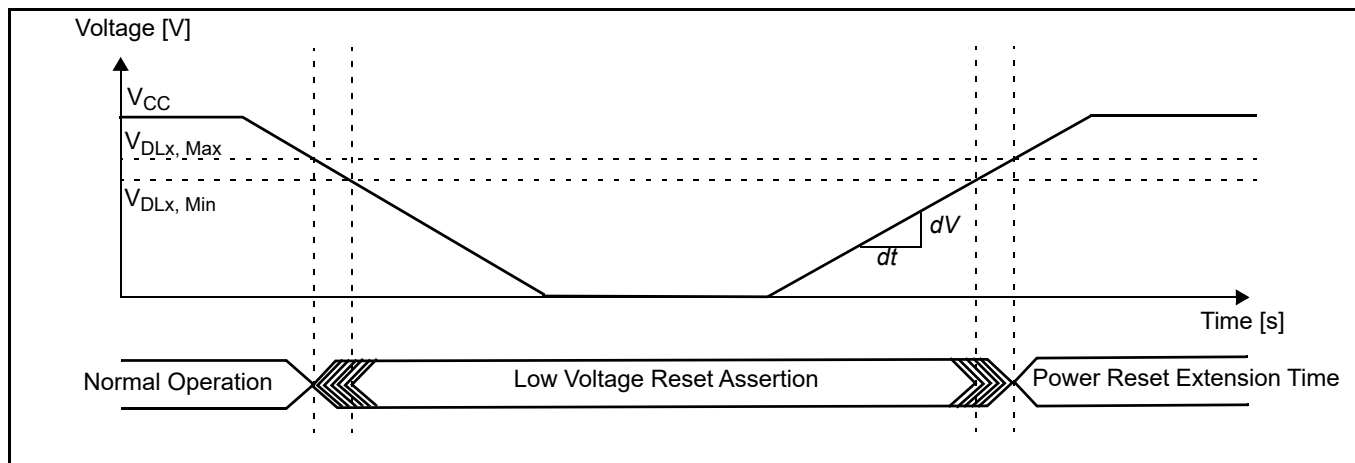
The functional operation of the MCU is guaranteed down to the minimum low voltage detection level of $V_{\text{CC}} = 2.7 \text{ V}$. The electrical characteristics however are only valid in the specified range (usually down to 3.0 V).

Please use the inclination of the power-supply voltage with 0.1 V/ μs or less.



Low Voltage Detector Operation

In the following figure, the occurrence of a low voltage condition is illustrated. For a detailed description of the reset and startup behavior, please refer to the corresponding hardware manual chapter.



Flash Memory Program/Erase Characteristics

($T_A = -40\text{ }^{\circ}\text{C}$ to $105\text{ }^{\circ}\text{C}$, $V_{CC} = AV_{CC} = 3.0\text{ V}$ to 5.5 V , $V_{SS} = AV_{SS} = 0\text{ V}$)

Parameter	Value			Unit	Remarks
	Min	Typ	Max		
Sector erase time	-	0.9	3.6	s	Without erasure pre-programming time
Chip erase time	-	$n \cdot 0.9$	$n \cdot 3.6$	s	Without erasure pre-programming time (n is the number of Flash sector of the device)
Word (16-bit width) programming time	-	23	370	us	Without overhead time for submitting write command
Program/Erase cycle	10 000	-	-	cycle	
Flash data retention time	20	-	-	year	*1

*1: This value was converted from the results of evaluating the reliability of the technology (using Arrhenius equation to convert high temperature measurements into normalized value at $85\text{ }^{\circ}\text{C}$)



Example Characteristics

Temperature dependency of power supply currents

The following diagrams show the current consumption of samples with typical wafer process parameters in different operation modes.

Common condition for all operation modes:

- ? VCC = AVCC = 5.0 V
- ? Main clock = 4 MHz external clock
- ? Sub clock = 32 kHz external clock

Operation Mode Details

Mode name	Details
PLL Run 56	PLL Run mode current I_{CCPLL} with the following settings: ? $f_{CLKS1} = f_{CLKS2} = f_{CLKB} = f_{CLKP1} = 56\text{MHz}$? $f_{CLKP2} = 28\text{ MHz}$? Regulator in High Power Mode ? Core voltage at 1.9 V (VRCCR:HPM[1:0] = 11 _B) ? 2 Flash/ROM wait states (MTCRA=233A _H) ? RC oscillator and Sub oscillator stopped
PLL Run 48	PLL Run mode current I_{CCPLL} with the following settings: ? $f_{CLKS1} = f_{CLKS2} = 96\text{ MHz}$? $f_{CLKB} = f_{CLKP1} = 48\text{ MHz}$? $f_{CLKP2} = 24\text{ MHz}$? Regulator in High Power Mode ? Core voltage at 1.9 V (VRCCR:HPM[1:0] = 11 _B) ? 1 Flash/ROM wait states (MTCRA=6B09 _H) ? RC oscillator and Sub oscillator stopped
PLL Run 24	PLL Run mode current I_{CCPLL} with the following settings: ? $f_{CLKS1} = f_{CLKS2} = 48\text{ MHz}$? $f_{CLKB} = f_{CLKP1} = f_{CLKP2} = 24\text{ MHz}$? Regulator in High Power Mode ? Core voltage at 1.8V (VRCCR:HPM[1:0] = 10 _B) ? 0 Flash/ROM wait states (MTCRA=2208 _H) ? RC oscillator and Sub oscillator stopped
Main Run	Main Run mode current I_{CCMAIN} with the following settings: ? $f_{CLKS1} = f_{CLKS2} = f_{CLKB} = f_{CLKP1} = f_{CLKP2} = 4\text{ MHz}$? Regulator in High Power Mode ? Core voltage at 1.8 V (VRCCR:HPM[1:0] = 10 _B) ? 1 Flash/ROM wait states (MTCRA=0239 _H) ? PLL, RC oscillator and Sub oscillator stopped



Operation Mode Details

Mode name	Details
RC Run 2M	RC Run mode current I_{CCRCH} with the following settings: <ul style="list-style-type: none"> ? RC oscillator set to 2MHz (CKFCR:RCFS = 1) ? $f_{CLKS1} = f_{CLKS2} = f_{CLKB} = f_{CLKP1} = f_{CLKP2} = 2\text{MHz}$? Regulator in High Power Mode ? Core voltage at 1.8 V (VRCCR:HPM[1:0] = 10_B) ? 1 Flash/ROM wait states (MTCRA=0239_H) ? PLL, Main oscillator and Sub oscillator stopped
RC Run 100k	RC Run mode current I_{CCRCL} with the following settings: <ul style="list-style-type: none"> ? RC oscillator set to 100 kHz (CKFCR:RCFS = 0) ? $f_{CLKS1} = f_{CLKS2} = f_{CLKB} = f_{CLKP1} = f_{CLKP2} = 100\text{kHz}$? Regulator in Low Power Mode A (SMCR:LPMS = 1) ? Core voltage at 1.8 V (VRCCR:LPMA[2:0] = 110_B) ? 1 Flash/ROM wait states (MTCRA=0239_H) ? PLL, Main oscillator and Sub oscillator stopped
Sub Run	Sub Run mode current I_{CCSUB} with the following settings: <ul style="list-style-type: none"> ? $f_{CLKS1} = f_{CLKS2} = f_{CLKB} = f_{CLKP1} = f_{CLKP2} = 32\text{kHz}$? Regulator in Low Power Mode A (by hardware) ? Core voltage at 1.8 V (VRCCR:LPMA[2:0] = 110_B) ? 1 Flash/ROM wait states (MTCRA=0239_H) ? PLL, RC oscillator and Main oscillator stopped
PLL Sleep 56	PLL Sleep mode current I_{CCSPLL} with the following settings: <ul style="list-style-type: none"> ? $f_{CLKS1} = f_{CLKS2} = f_{CLKP1} = 56\text{MHz}$? $f_{CLKP2} = 28\text{MHz}$? Regulator in High Power Mode ? Core voltage at 1.9 V (VRCCR:HPM[1:0] = 11_B) ? RC oscillator and Sub oscillator stopped
PLL Sleep 48	PLL Sleep mode current I_{CCSPLL} with the following settings: <ul style="list-style-type: none"> ? $f_{CLKS1} = f_{CLKS2} = 96\text{MHz}$? $f_{CLKP1} = 48\text{MHz}$? $f_{CLKP2} = 24\text{MHz}$? Regulator in High Power Mode ? Core voltage at 1.9 V (VRCCR:HPM[1:0] = 11_B) ? RC oscillator and Sub oscillator stopped



Operation Mode Details

Mode name	Details
PLL Sleep 24	PLL Sleep mode current I_{CCSPLL} with the following settings: ? $f_{CLKS1} = f_{CLKS2} = 48 \text{ MHz}$? $f_{CLKP1} = f_{CLKP2} = 24 \text{ MHz}$? Regulator in High Power Mode ? Core voltage at 1.8 V (VRCCR:HPM[1:0] = 10 _B) ? RC oscillator and Sub oscillator stopped
Main Sleep	Main Sleep mode current $I_{CCSMAIN}$ with the following settings: ? $f_{CLKS1} = f_{CLKS2} = f_{CLKP1} = f_{CLKP2} = 4 \text{ MHz}$? Regulator in High Power Mode ? Core voltage at 1.8 V (VRCCR:HPM[1:0] = 10 _B) ? PLL, RC oscillator and Sub oscillator stopped
RC Sleep 2M	RC Sleep mode current I_{CCSRCH} with the following settings: ? RC oscillator set to 2 MHz (CKFCR:RCFS = 1) ? $f_{CLKS1} = f_{CLKS2} = f_{CLKP1} = f_{CLKP2} = 2 \text{ MHz}$? Regulator in High Power Mode ? Core voltage at 1.8 V (VRCCR:HPM[1:0] = 10 _B) ? PLL, Main oscillator and Sub oscillator stopped
RC Sleep 100k	RC Sleep mode current I_{CCSRCL} with the following settings: ? RC oscillator set to 100 kHz (CKFCR:RCFS = 0) ? $f_{CLKS1} = f_{CLKS2} = f_{CLKP1} = f_{CLKP2} = 100 \text{ kHz}$? Regulator in Low Power Mode A (SMCR:LPMS = 1) ? Core voltage at 1.8 V (VRCCR:LPMA[2:0] = 110 _B) ? PLL, Main oscillator and Sub oscillator stopped
Sub Sleep	Sub Sleep mode current I_{CCSSUB} with the following settings: ? $f_{CLKS1} = f_{CLKS2} = f_{CLKP1} = f_{CLKP2} = 32 \text{ kHz}$? Regulator in Low Power Mode A (by hardware) ? Core voltage at 1.8 V (VRCCR:LPMA[2:0] = 110 _B) ? PLL, RC oscillator and Main oscillator stopped
PLL Timer 48	PLL Timer mode current I_{CCTPLL} with the following settings: ? $f_{CLKS1} = f_{CLKS2} = 48 \text{ MHz}$? Regulator in High Power Mode ? Core voltage at 1.8 V (VRCCR:HPM[1:0] = 10 _B) ? RC oscillator and Sub oscillator stopped



Operation Mode Details

Mode name	Details
Main Timer	Main Timer mode current $I_{CCTMAIN}$ with the following settings: ? $f_{CLKS1} = f_{CLKS2} = 4 \text{ MHz}$? Regulator in Low Power Mode A (SMCR:LPMS = 1) ? Core voltage at 1.8 V (VR CR:LPMA[2:0] = 110 _B) ? PLL, RC oscillator and Sub oscillator stopped
RC Timer 2M	RC Timer mode current I_{CCTRCH} with the following settings: ? RC oscillator set to 2 MHz (CKFCR:RCFS = 1) ? $f_{CLKS1} = f_{CLKS2} = 2 \text{ MHz}$? Regulator in Low Power Mode A (SMCR:LPMS = 1) ? Core voltage at 1.8 V (VR CR:LPMA[2:0] = 110 _B) ? PLL, Main oscillator and Sub oscillator stopped
RC Timer 100k	RC Timer mode current I_{CCTRCL} with the following settings: ? RC oscillator set to 100 kHz (CKFCR:RCFS = 0) ? $f_{CLKS1} = f_{CLKS2} = 100 \text{ kHz}$? Regulator in Low Power Mode A (SMCR:LPMS = 1) ? Core voltage at 1.8 V (VR CR:LPMA[2:0] = 110 _B) ? PLL, Main oscillator and Sub oscillator stopped
Sub Timer	Sub Timer mode current I_{CCTSUB} with the following settings: ? $f_{CLKS1} = f_{CLKS2} = 32 \text{ kHz}$? Regulator in Low Power Mode A (by hardware) ? Core voltage at 1.8 V (VR CR:LPMA[2:0] = 110 _B) ? PLL, RC oscillator and Main oscillator stopped
Stop 1.8V	Stop mode current I_{CCH} with the following settings: ? Regulator in Low Power Mode B (by hardware) ? Core voltage at 1.8 V (VR CR:LPMB[2:0] = 110 _B)
Stop 1.2V	Stop mode current I_{CCH} with the following settings: ? Regulator in Low Power Mode B (by hardware) ? Core voltage at 1.2 V (VR CR:LPMB[2:0] = 000 _B)



Figure 3. CY96F353/F355 PLL Run and Sleep Mode Currents

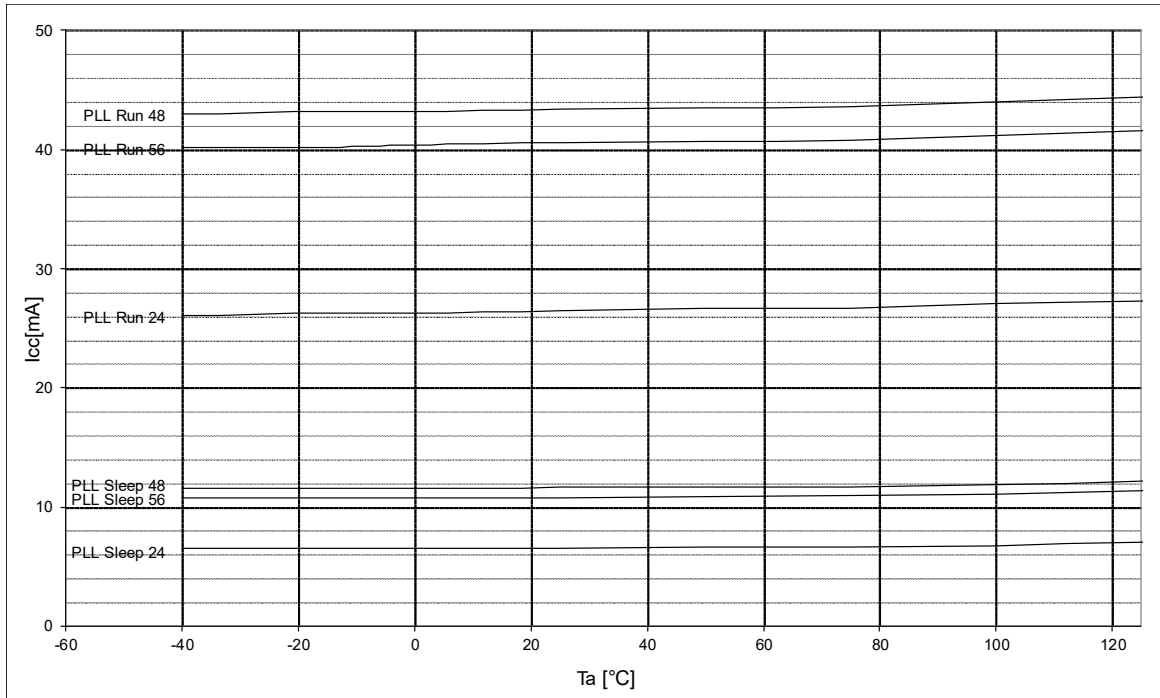


Figure 4. CY96F353/F355 Operation Modes with Medium Currents

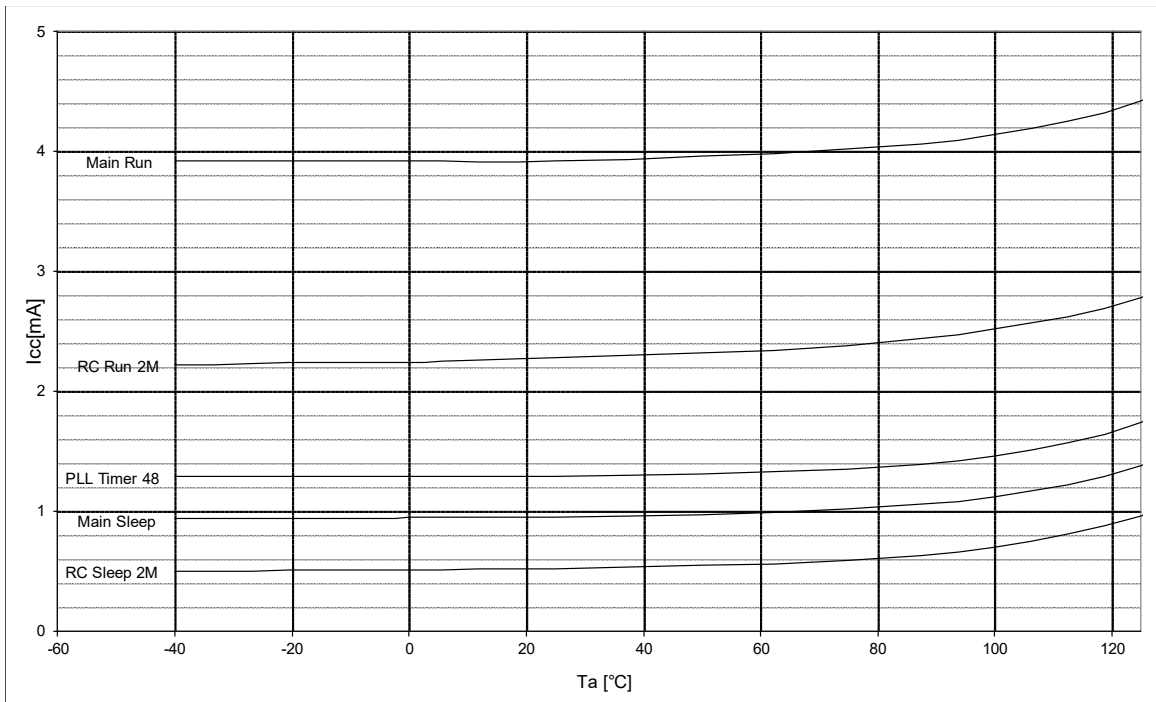




Figure 5. CY96F353/F355 Low Power Mode Currents

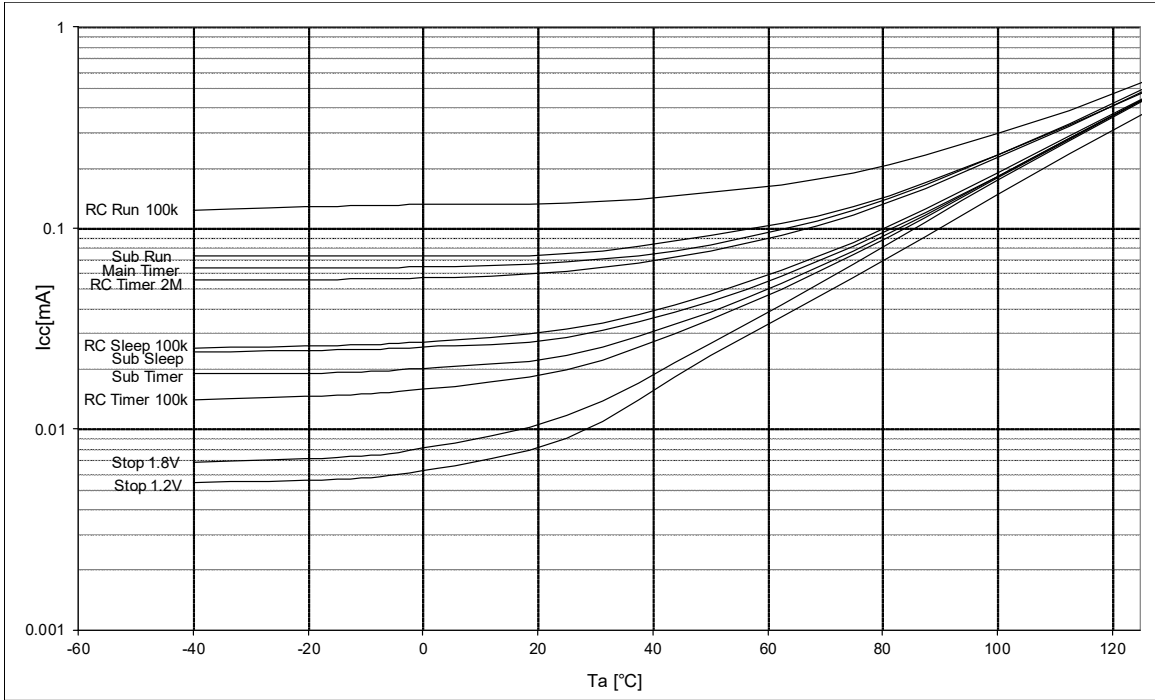


Figure 6. CY96F356 PLL Run and Sleep Mode Currents

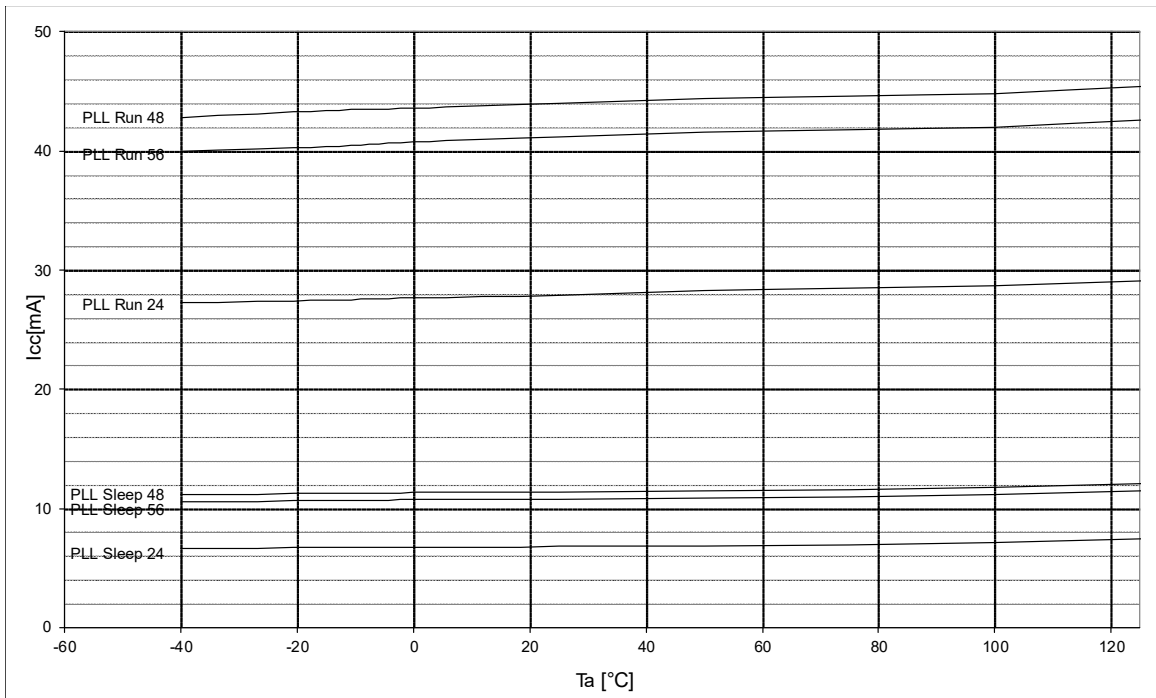




Figure 7. CY96F356 Operation Modes with Medium Currents

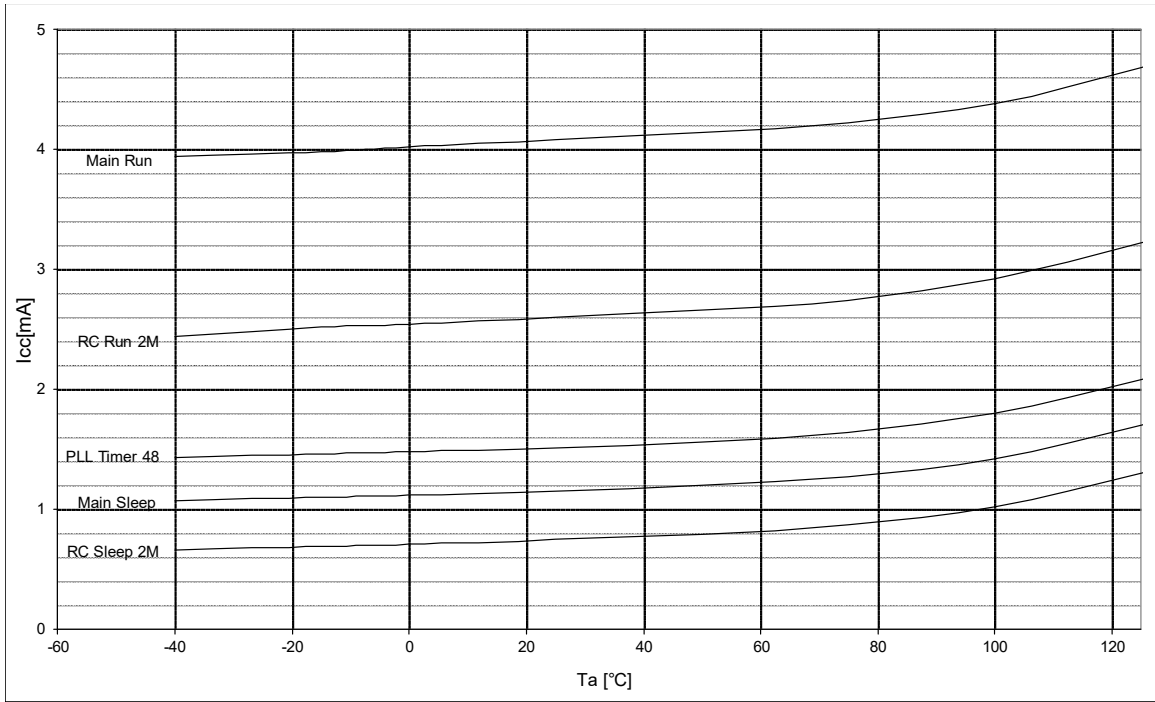
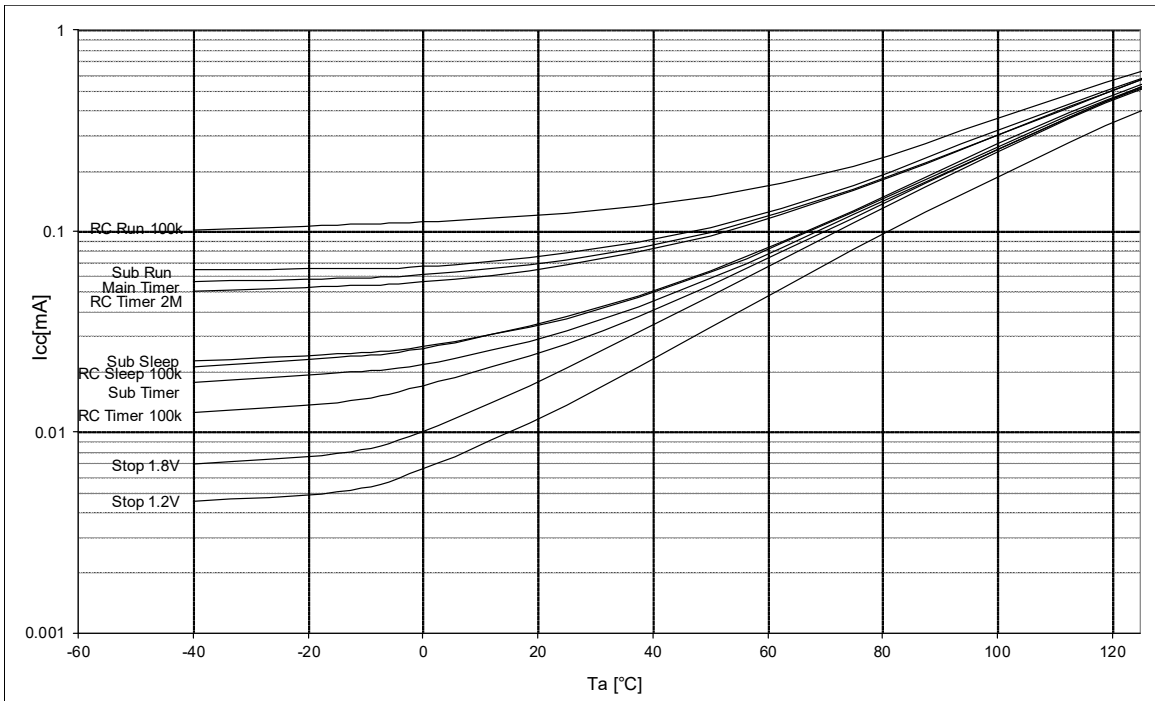


Figure 8. CY96F356 Low Power Mode Currents





Frequency dependency of power supply currents in PLL Run mode

The following diagrams show the current consumption of samples with typical wafer process parameters in PLL Run mode at different frequencies and Flash timing settings.

Measurement conditions:

- ? VCC = AVCC = 5.0 V
- ? Ta = 25 °C
- ? $f_{CLKS1} = f_{CLKB}$ or $f_{CLKS1} = 2 * f_{CLKB}$ as described in diagram
- ? $f_{CLKS2} = f_{CLKS1}$
- ? $f_{CLKP1} = f_{CLKB}$
- ? $f_{CLKP2} = f_{CLKB}/2$
- ? Core voltage at 1.8 V (VRCR:HPM[1:0] = 10B) or 1.9 V (VRCR:HPM[1:0] = 11B) as described in diagram
- ? Main clock = 4 MHz external clock
- ? Flash memory timing settings:
 - ? MTCRA = 2128H/2208H (0 Flash wait states, $f_{CLKS1} = 2 * f_{CLKB}$)
 - ? MTCRA = 0239H/2129H (1 Flash wait state, $f_{CLKS1} = f_{CLKB}$)
 - ? MTCRA = 4C09H/6B09H (1 Flash wait state, $f_{CLKS1} = 2 * f_{CLKB}$)
 - ? MTCRA = 233AH (2 Flash wait states, $f_{CLKS1} = f_{CLKB}$)
- ? Average Flash access rate (number of read accesses to the Flash per CLKB clock cycle, no buffer hit):
 - ? 0 Flash wait states: 0.5
 - ? 1 Flash wait states: 0.33
 - ? 2 Flash wait states: 0.25

Figure 9. CY96F353/F355 PLL Run Mode Currents

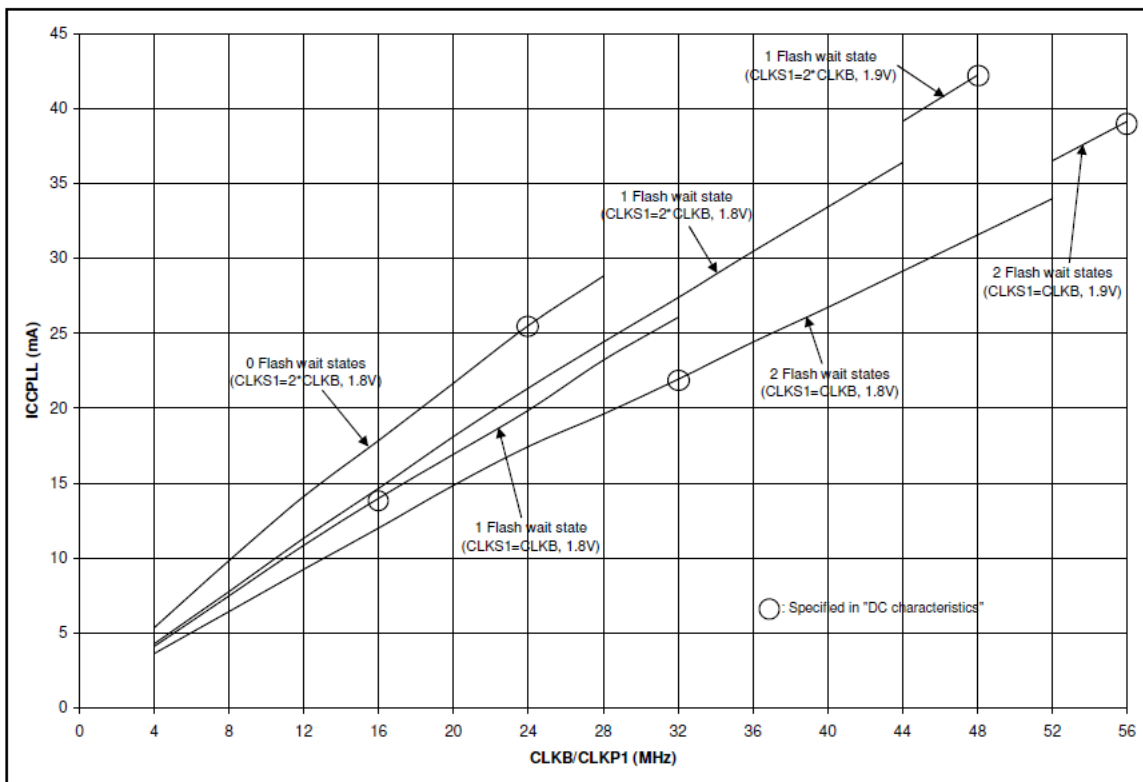
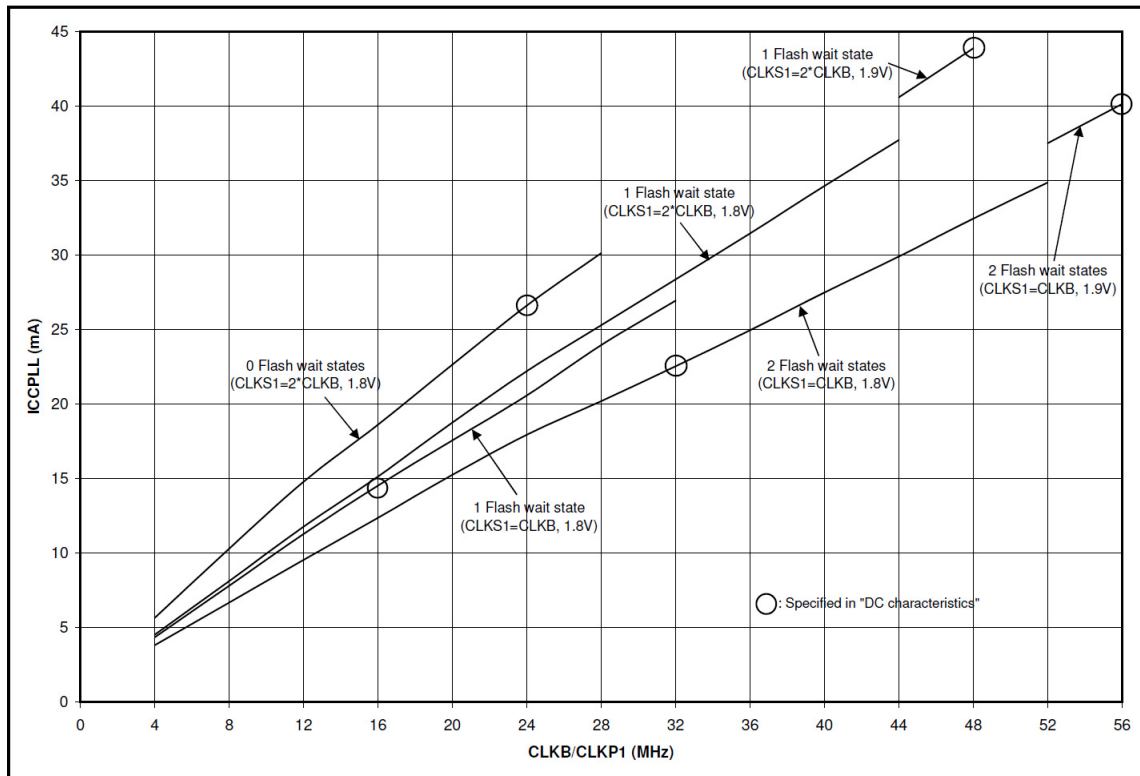




Figure 10. CY96F356 PLL Run Mode Currents

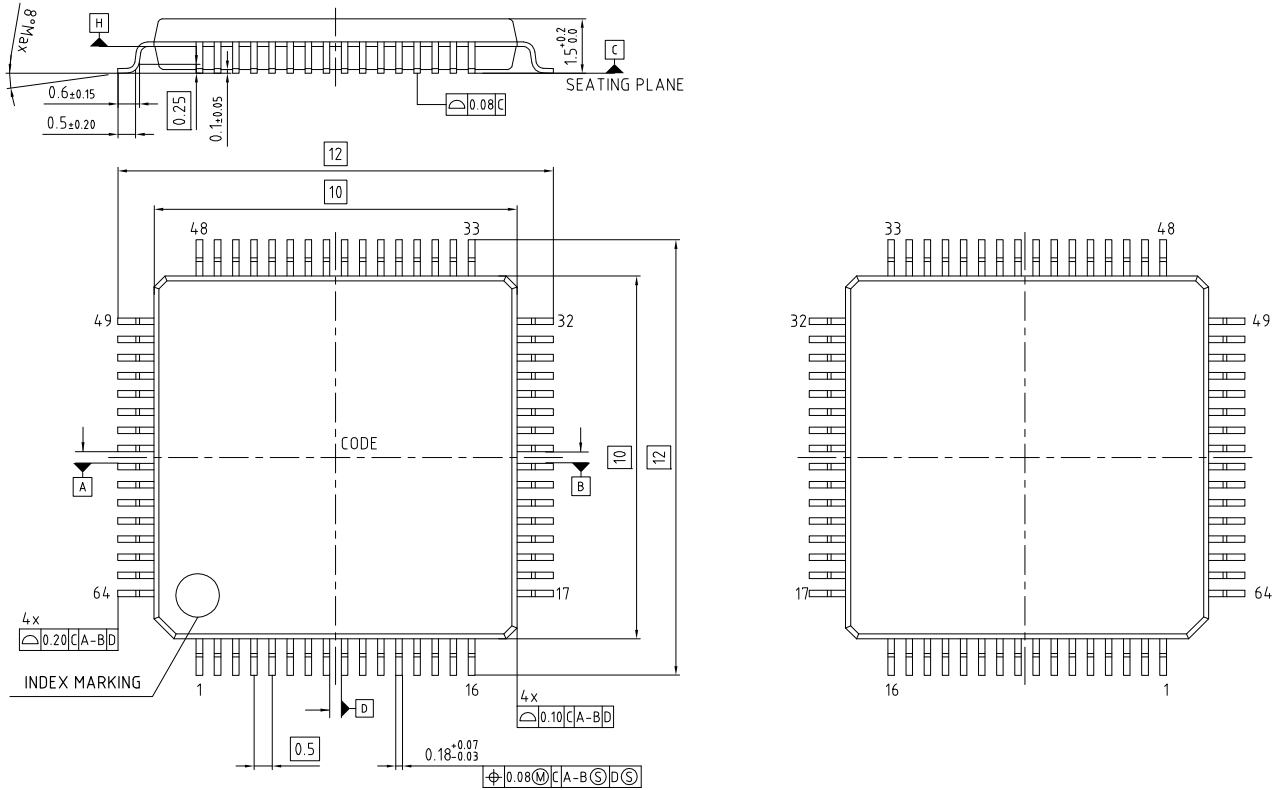




CY96F353/F355
CY96F356

CY96(F)35x LQFP 64 - LQD064

Figure 12. 64-lead LQFP (10.0 × 10.0 × 1.7 mm) LQD064 package outline, 002-11499



Z8B00248908 v04



Ordering Information

MCU with CAN Controller

Part number	Flash/ROM	Subclock	Package
CY96F355RSBPMC-GS-UJE2	Flash A (160 KB)	No	64 pins Plastic LQFP (LQG064)
CY96F355RSBPMC1-GSUJERE2			64 pins Plastic LQFP (LQD064)
CY96F356RSBPMC1-GS-UJE1	Flash A (288 KB)	No	64 pins Plastic LQFP (LQD064)
CY96F356RSBPMC1-GS-UJE2			64 pins Plastic LQFP (LQG064)
CY96F356RSBPMC-GS-UJE2			64 pins Plastic LQFP (LQD064)
CY96F356RSBPMC-GS-UJERE2			64 pins Plastic LQFP (LQG064)
CY96F356RWBPMC1-GS-UJE2			Yes
CY96F356RWBPMC-GS-UJE2		64 pins Plastic LQFP (LQG064)	

MCU without CAN Controller

Part number	Flash/ROM	Subclock	Package
CY96F353ASBPMC1-GS-UJE2	Flash A (96 KB)	No	64 pins Plastic LQFP (LQD064)
CY96F356ASBPMC-GS-UJE2	Flash A (288 KB)	No	64 pins Plastic LQFP (LQG064)

This datasheet is also valid for the following outdated devices:

CY96F356YSA, CY96F356RSA, CY96F356YWA, CY96F356RWA, CY96F356ASA, CY96F356AWA, CY96F353RSA, CY96F353RWA, CY96F355RSA, CY96F355RWA, CY96F353ASA, CY96F353AWA, CY96F355ASA, CY96F355AWA.



Major Changes

Page	Section	Change Result
Rev *A		
-		Marketing Part Numbers changed from an MB prefix to a CY prefix.
1	-	Deleted the following comment. Note: F2MC is the abbreviation of Fujitsu Flexible Microcontroller
6 87 89	Pin Assignment Package Dimension CY96(F)35x LQFP 64 - LQG064 Ordering Information	Package description modified to JEDEC description. (before) FPT-64P-M23 (after) LQG064
6 88 89	Pin Assignment Package Dimension CY96(F)35x LQFP 64 - LQD064 Ordering Information	Package description modified to JEDEC description. (before) FPT-64P-M24 (after) LQD064
15	Serial Programming Communication Interface	Corporate name changed from Fujitsu to Cypress.
89	Ordering Information	<p>Deleted the following part number. MB96F353RSB PMC-GSE2, MB96F353RWB PMC-GSE2, MB96F353RSB PMC1-GSE2, MB96F353RWB PMC1-GSE2, MB96F355RWB PMC-GSE2, MB96F355RWB PMC1-GSE2, MB96F356RSB PMC-GSE2, MB96F356RWB PMC-GSE2, MB96F356RSB PMC1-GSE2, MB96F356RWB PMC1-GSE2, MB96V300CRB-ES (for evaluation), MB96F353ASB PMC-GSE2, MB96F353AWB PMC-GSE2, MB96F353AWB PMC1-GSE2, MB96F355ASB PMC-GSE2, MB96F355AWB PMC-GSE2, MB96F355ASB PMC1-GSE2, MB96F355AWB PMC1-GSE2, MB96F356ASB PMC-GSE2, MB96F356AWB PMC-GSE2, MB96F356ASB PMC1-GSE2, MB96F356AWB PMC1-GSE2</p> <p>Revised the following parts number. (before) - MB96F355RSB PMC-GSE2 - MB96F355RSB PMC1-GSE2 - MB96F353ASB PMC1-GSE2 (after) - CY96F55RSBPMC-GS-UJE2 - CY96F355RSBPMC1-GS-UJE2 - CY96F353ASBPMC1-GS-UJE2</p> <p>Changed and deleted the parts number in Note. (before) MB96F356YSA, MB96F356RSA, MB96F356YWA, MB96F356RWA, MB96F356ASA, MB96F356AWA, MB96F353RSA, MB96F353RWA, MB96F355RSA, MB96F355RWA, MB96F353ASA, MB96F353AWA, MB96F355ASA, MB96F355AWA. (after) CY96F356YSA, CY96F356RSA, CY96F356YWA, CY96F356RWA, CY96F356ASA, CY96F356AWA, CY96F353RSA, CY96F353RWA, CY96F355RSA, CY96F355RWA, CY96F353ASA, CY96F353AWA, CY96F355ASA, CY96F355AWA.</p>



Page	Section	Change Result
90	Major Changes	Changed section title and section number. (before) MAJOR CHANGES IN THIS EDITION (after) Major Changes
95	Document History	Added Document History
Rev *B		
90	Ordering Information	Added the following parts number. MCU with CAN Controller - CY96F356RSBPMC1-GS-UJE1 - CY96F356RSBPMC1-GS-UJE2 - CY96F356RSBPMC-GS-UJE2 - CY96F356RWBPMC1-GS-UJE2 - CY96F356RWBPMC-GS-UJE2 MCU with CAN Controller - CY96F356ASBPMC-GS-UJE2

Revision History

Spanson Publication Number: **DS07-13806-3E**

Revision	Date	Modification
Prelim 1	2007-05-03	Creation
Prelim 2	2007-05-25	Electrical characteristics update
Prelim 3	2007-11-27	Package description is removed from cover page. Typos corrections in product lineup. Product option details added Electrical characteristics update Update of the block diagram Update of the IO map Pin circuit type, LVD characteristics and example characteristics chapters added
Prelim 4	2007-12-20	Update of the block diagram: external bus address lines, clock output function pins, AVRL removed from ADC block, re-layout. RAMSTART value is corrected IO map regenerated Memory map and Flash configuration reworked Few typos corrected across the document. Flash bank renaming. Ordering information: package type corrected. IO circuit drawings modified.



Revision	Date	Modification
Prelim 5	2008-02-04	<ul style="list-style-type: none"> ? Reload Timer RLT 6 for PPGs added ? Block diagram corrected: ICU2 deleted, TTG2,3 deleted, TTG8,9 added ? Pin function description corrected with all existing pin types ? I/O circuit type diagrams corrected ? Memory map cleaned up ? "Flash sector configuration" replaced by corrected "User ROM Memory map for Flash devices" ? Parallel Flash programming spec removed ? IO map table regenerated: <ul style="list-style-type: none"> - Port register: Naming style corrected - Memory control registers renamed (Main -> A) - addresses after 000BFFh removed ? Handling devices: AD converter items added ? Absolute maximum ratings: Pd and Ta specified more precisely ? Run and Sleep mode currents: more conditions added (1WS settings) ? Run mode current spec in 48/24MHz mode corrected ? Maximum CLKS1 frequency corrected at 1.8V ? External bus timings: missing conditions added and readability improved ? Ordering information updated ? Typos and formatting corrected



Revision	Date	Modification
6	2009-01-09	<ul style="list-style-type: none"> ? Format adjusted to official Fujitsu Microelectronics datasheet standard (mainly style changes and official notes and disclaimer added) ? Numbering of Electrical Characteristics subchapters automated ? CANless devices added (MB96F356A) ? I/O map: Added node about reserved registers ? Serial programming interface: Note about handshaking pins improved ? specified AD converter channel offset to 4LSB ? package code of MB96V300 corrected in ordering information ? Added voltage condition to pull-up resistance spec ? Ordering information: column "Flash/ROM" added, column "Remarks" removed ? Official package dimension drawing with additional notes added ? Empty pages removed ? Handling devices: Notes added about Serial communication and about using ceramic resonators. ? Feature list and AC Characteristics: 16MHz maximum frequency is valid for crystal oscillators. For resonators, maximum frequency depends on Q-factor ? AC characteristics: PLL phase skew spec added, CLKVCO min=64MHz ? VOL3 spec improved: spec valid for 3mA load for full Vcc range ? MB96F353/F355 added (under development) ? Free running timer (I/O Timer) 2 and 3 added (without clock input pin) ? Input capture ICU9 and ICU10 added (without input pin, only for LIN USART) ? C-Pin cap spec updated: 4.7 μF–10 μF capacitor with tolerance permitted ? "Preliminary" watermark removed



Revision	Date	Modification
7	2010-06-24	<ul style="list-style-type: none"> • AD converter I_{AIN} spec improved: 1uA valid up to 105deg, 1.2uA above 105deg • Low voltage detector: Detection levels of MB96F353/F355 updated • Note added that PLL phase jitter spec does not include jitter coming from Main clock • Note added in DC characteristics how to select driving strength of ports • I²C AC spec updated: tof, Cb and tSP spec added, wrong footnotes and Condition removed • I/O Circuit type: Note added for type "N" (slew rate control according to I²C spec) • Example characteristics updated, new figures added showing dependency of PLL Run mode current on frequency • Updated Power Supply current spec in Run/Sleep/Timer/Stop modes (new spec items in PLL Run/Sleep mode, small adjustment of most other values) • Package dimension: Added the following sentence under the figure: "Please confirm the latest Package dimension by following URL. http://edevice.fujitsu.com/package/en-search/" • AD converter: Impact of input pin capacitance and external capacitance added to formula for calculation of the sampling time • Added specification of RC clock stabilization time • Ordering information updated: MB96F353/F355**A -> MB96F353/F355**B, the device development is finished • Feature description I²C: '8-bit addressing' corrected to '7-bit addressing' • Feature description PPG: 'Reload timer overflow as clock input' corrected to 'Reload timer underflow as clock input' • ICCLVD specification updated, at 125deg typical value is 7uA and maximum value is 20uA • Company name updated on the cover page: Fujitsu Microelectronics Limited -> Fujitsu Semiconductor Limited

Page	Section	Change Result
Front Page	-	Remove following description: " *1: These devices are under development and specification is preliminary. These products under development may change its specification without notice. "
7	Product Lineup	Remove following description: " *1: These devices are under development and specification is preliminary. These products under development may change its specification without notice. "
13	I/O Circuit Type	Error correction in Remarks of Type B.
15	I/O Circuit Type	Added Remarks in Type N.
52	Handling Devices	Item "6. Power supply pins (Vcc/Vss)": Added note for bypass capacitor.
53	Handling Devices	Added new item "Clock modulator".
54	Electrical Characteristics	Added output current spec for 2mA and 3mA outputs.
59	DC Characteristics	Added Port drive condition in Remarks.
60 to 64	DC Characteristics	Added Mode Conditions. Changed proper value for flash devices.
66	AC Characteristics	Added RC clock stabilization time. Added remark in "PLL Phase Jitter"
67	When using an oscillation circuit	Added Figure of Amplitude.
85	I ² C Timing	Added new parameter "Output fall time", "Capacitive load for each bus line" and "Pulse width of spikes".
86	Analog Digital Converter	Deleted double expression for I_{AIN} and corrected value.



Page	Section	Change Result
89	Accuracy and setting of the A/D Converter sampling time	Changed to a more accurate estimation for sampling time by R_{ext} , C_{ext} , C_{IN} , R_{ADC} and C_{ADC}
90	Low Voltage Detector characteristics	Added note description for inclination of the power-supply voltage.
93 to 100	Example Characteristics	Added new section.
101, 102	Ordering Information	Remove following description: " *1: These devices are under development and specification is preliminary. These products under development may change its specification without notice. "



Document History

Document Title: CY96F353/F355, CY96F356, F ² MC-16FX, CY96350 Series, 16-bit Proprietary Microcontroller Document Number: 002-04588			
Revision	ECN	Submission Date	Description of Change
**	—	07/18/2013	Migrated to Cypress and assigned document number 002-04588. No change to document contents or format.
*A	6213848	06/21/2018	Updated to Cypress template. Revised the following items: Marketing Part Numbers changed from an MB prefix to a CY prefix. Pin Assignments Package Dimension Ordering Information Renamed Chapter Name of MAJOR CHANGES IN THIS EDITION For details, please see Major Changes section
*B	6351866	10/16/2018	Added Marketing Part Number in Ordering Information. For details, please see Major Changes section
*C	6896470	06/10/2020	Added the part numbers CY96F355RSBPMC1-GSUJERE2 and CY96F356RSBPMC-GS-UJERE2 in Ordering Information .
*D	8071778	09/09/2024	Updated Package Dimension : Replaced 002-13881 ** (obsolete in DMS) with replacement spec Z8B00250391 v03 (active in SAP). Replaced 002-11499 ** (obsolete in DMS) with replacement spec Z8B00248908 v04 (active in SAP). Updated Ordering Information : Updated part numbers. Completing Sunset Review.



Sales, Solutions, and Legal Information

Worldwide Sales and Design Support

Cypress maintains a worldwide network of offices, solution centers, manufacturer's representatives, and distributors. To find the office closest to you, visit us at [Cypress Locations](#).

Products

Arm [®] Cortex [®] Microcontrollers	cypress.com/arm
Automotive	cypress.com/automotive
Clocks & Buffers	cypress.com/clocks
Interface	cypress.com/interface
Internet of Things	cypress.com/iot
Memory	cypress.com/memory
Microcontrollers	cypress.com/mcu
PSoC	cypress.com/psoc
Power Management ICs	cypress.com/pmic
Touch Sensing	cypress.com/touch
USB Controllers	cypress.com/usb
Wireless Connectivity	cypress.com/wireless

PSoC[®] Solutions

[PSoC 1](#) | [PSoC 3](#) | [PSoC 4](#) | [PSoC 5LP](#) | [PSoC 6 MCU](#)

Cypress Developer Community

[Community](#) | [Code Examples](#) | [Projects](#) | [Video](#) | [Blogs](#) | [Training](#) | [Components](#)

Technical Support

[cypress.com/support](https://www.cypress.com/support)

Arm and Cortex are registered trademarks of Arm Limited (or its subsidiaries) in the US and/or elsewhere

© Cypress Semiconductor Corporation, 2008-2024. This document is the property of Cypress Semiconductor Corporation and its subsidiaries ("Cypress"). This document, including any software or firmware included or referenced in this document ("Software"), is owned by Cypress under the intellectual property laws and treaties of the United States and other countries worldwide. Cypress reserves all rights under such laws and treaties and does not, except as specifically stated in this paragraph, grant any license under its patents, copyrights, trademarks, or other intellectual property rights. If the Software is not accompanied by a license agreement and you do not otherwise have a written agreement with Cypress governing the use of the Software, then Cypress hereby grants you a personal, non-exclusive, nontransferable license (without the right to sublicense) (1) under its copyright rights in the Software (a) for Software provided in source code form, to modify and reproduce the Software solely for use with Cypress hardware products, only internally within your organization, and (b) to distribute the Software in binary code form externally to end users (either directly or indirectly through resellers and distributors), solely for use on Cypress hardware product units, and (2) under those claims of Cypress's patents that are infringed by the Software (as provided by Cypress, unmodified) to make, use, distribute, and import the Software solely for use with Cypress hardware products. Any other use, reproduction, modification, translation, or compilation of the Software is prohibited.

TO THE EXTENT PERMITTED BY APPLICABLE LAW, CYPRESS MAKES NO WARRANTY OF ANY KIND, EXPRESS OR IMPLIED, WITH REGARD TO THIS DOCUMENT OR ANY SOFTWARE OR ACCOMPANYING HARDWARE, INCLUDING, BUT NOT LIMITED TO, THE IMPLIED WARRANTIES OF MERCHANTABILITY AND FITNESS FOR A PARTICULAR PURPOSE. No computing device can be absolutely secure. Therefore, despite security measures implemented in Cypress hardware or software products, Cypress shall have no liability arising out of any security breach, such as unauthorized access to or use of a Cypress product. CYPRESS DOES NOT REPRESENT, WARRANT, OR GUARANTEE THAT CYPRESS PRODUCTS, OR SYSTEMS CREATED USING CYPRESS PRODUCTS, WILL BE FREE FROM CORRUPTION, ATTACK, VIRUSES, INTERFERENCE, HACKING, DATA LOSS OR THEFT, OR OTHER SECURITY INTRUSION (collectively, "Security Breach"). Cypress disclaims any liability relating to any Security Breach, and you shall and hereby do release Cypress from any claim, damage, or other liability arising from any Security Breach. In addition, the products described in these materials may contain design defects or errors known as errata which may cause the product to deviate from published specifications. To the extent permitted by applicable law, Cypress reserves the right to make changes to this document without further notice. Cypress does not assume any liability arising out of the application or use of any product or circuit described in this document. Any information provided in this document, including any sample design information or programming code, is provided only for reference purposes. It is the responsibility of the user of this document to properly design, program, and test the functionality and safety of any application made of this information and any resulting product. "High-Risk Device" means any device or system whose failure could cause personal injury, death, or property damage. Examples of High-Risk Devices are weapons, nuclear installations, surgical implants, and other medical devices. "Critical Component" means any component of a High-Risk Device whose failure to perform can be reasonably expected to cause, directly or indirectly, the failure of the High-Risk Device, or to affect its safety or effectiveness. Cypress is not liable, in whole or in part, and you shall and hereby do release Cypress from any claim, damage, or other liability arising from any use of a Cypress product as a Critical Component in a High-Risk Device. You shall indemnify and hold Cypress, its directors, officers, employees, agents, affiliates, distributors, and assigns harmless from and against all claims, costs, damages, and expenses, arising out of any claim, including claims for product liability, personal injury or death, or property damage arising from any use of a Cypress product as a Critical Component in a High-Risk Device. Cypress products are not intended or authorized for use as a Critical Component in any High-Risk Device except to the limited extent that (i) Cypress's published data sheet for the product explicitly states Cypress has qualified the product for use in a specific High-Risk Device, or (ii) Cypress has given you advance written authorization to use the product as a Critical Component in the specific High-Risk Device and you have signed a separate indemnification agreement.

Cypress, the Cypress logo, Spansion, the Spansion logo, and combinations thereof, WICED, PSoC, CapSense, EZ-USB, F-RAM, and Traveo are trademarks or registered trademarks of Cypress in the United States and other countries. For a more complete list of Cypress trademarks, visit [cypress.com](https://www.cypress.com). Other names and brands may be claimed as property of their respective owners.

OUR CERTIFICATE

DiGi provide top-quality products and perfect service for customer worldwide through standardization, technological innovation and continuous improvement. DiGi through third-party certification, we strictly control the quality of products and services. Welcome your RFQ to

Email: Info@DiGi-Electronics.com



Tel: +00 852-30501935

RFQ Email: Info@DiGi-Electronics.com

DiGi is a global authorized distributor of electronic components.