

IRF7426TR Datasheet



<https://www.DiGi-Electronics.com>

DiGi Electronics Part Number	IRF7426TR-DG
Manufacturer	Infineon Technologies
Manufacturer Product Number	IRF7426TR
Description	MOSFET N-CH 20V 850
Detailed Description	N-Channel 20 V 11.5A (Ta) Surface Mount 8-SO



Tel: +00 852-30501935

RFQ Email: Info@DiGi-Electronics.com

DiGi is a global authorized distributor of electronic components.

Purchase and inquiry

Manufacturer Product Number:

IRF7426TR

Series:

HEXFET®

FET Type:

N-Channel

Drain to Source Voltage (Vdss):

20 V

Rds On (Max) @ Id, Vgs:

-

FET Feature:

-

Operating Temperature:

-

Supplier Device Package:

8-SO

Manufacturer:

Infineon Technologies

Product Status:

Obsolete

Technology:

MOSFET (Metal Oxide)

Current - Continuous Drain (Id) @ 25°C:

11.5A (Ta)

Vgs(th) (Max) @ Id:

-

Power Dissipation (Max):

-

Mounting Type:

Surface Mount

Package / Case:

8-SOIC (0.154", 3.90mm Width)

Environmental & Export classification

RoHS Status:

RoHS non-compliant

REACH Status:

REACH Unaffected

HTSUS:

8541.29.0095

Moisture Sensitivity Level (MSL):

1 (Unlimited)

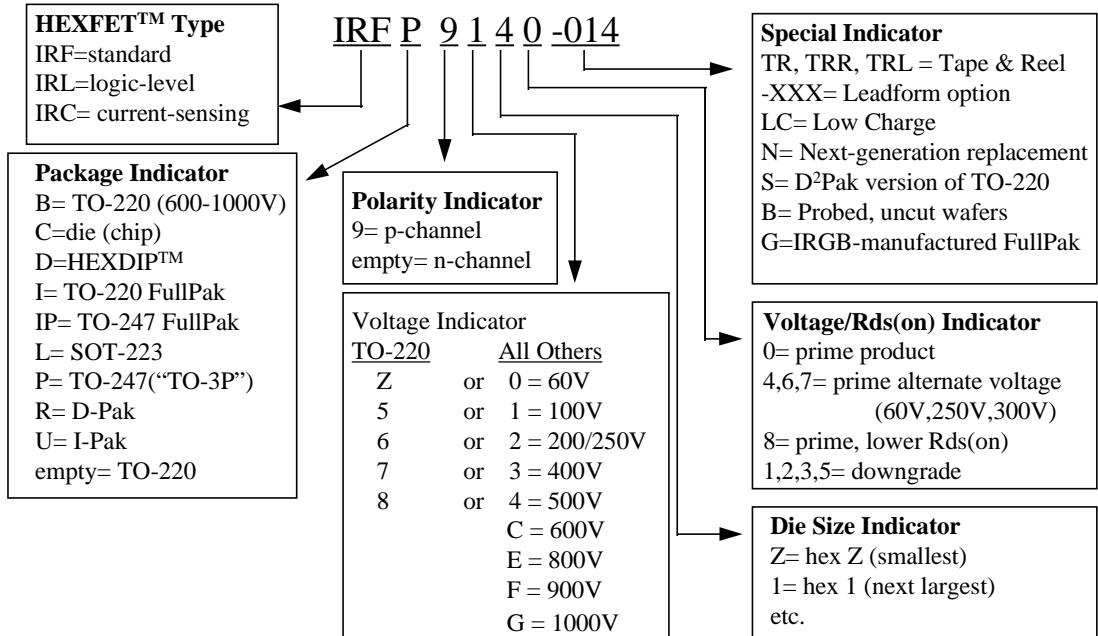
ECCN:

EAR99

International Rectifier - Part Numbering System

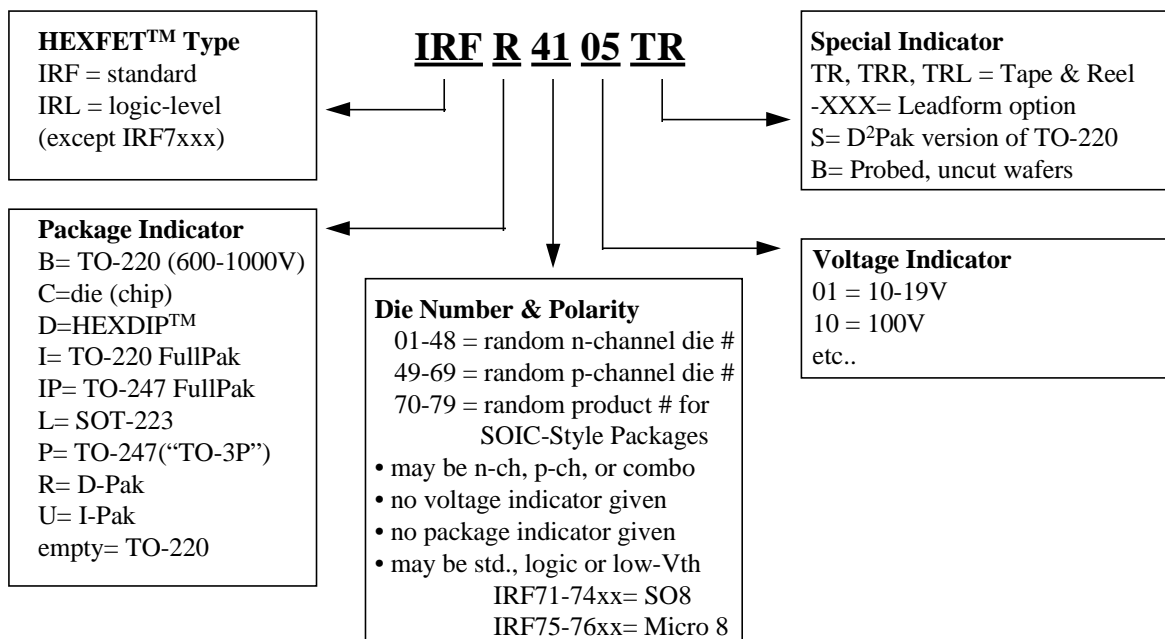
Conventional HEXFET

This part numbering applies to commercial, discrete Generation 3 HEXFET Power MOSFETS



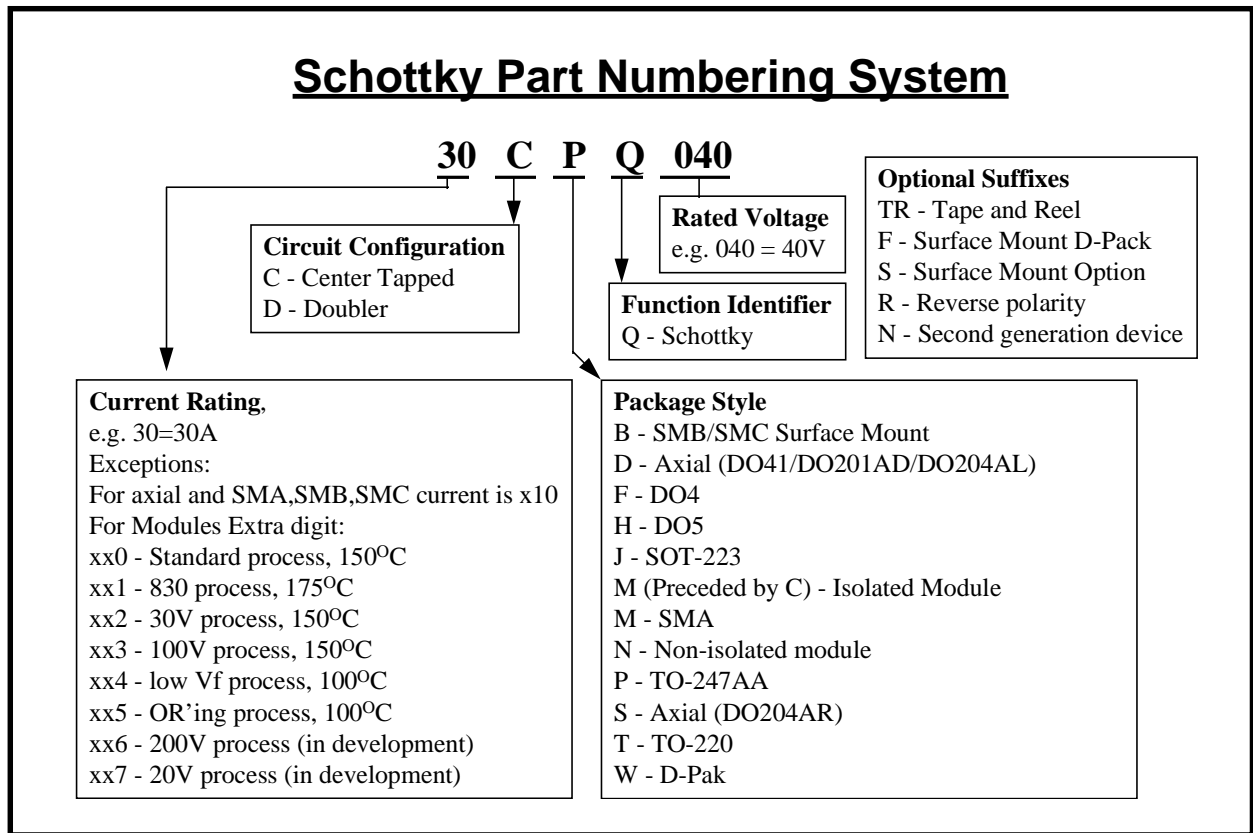
Advanced HEXFET

This part numbering applies to commercial, discrete Generation 4 OR 5 HEXFET Power MOSFETS

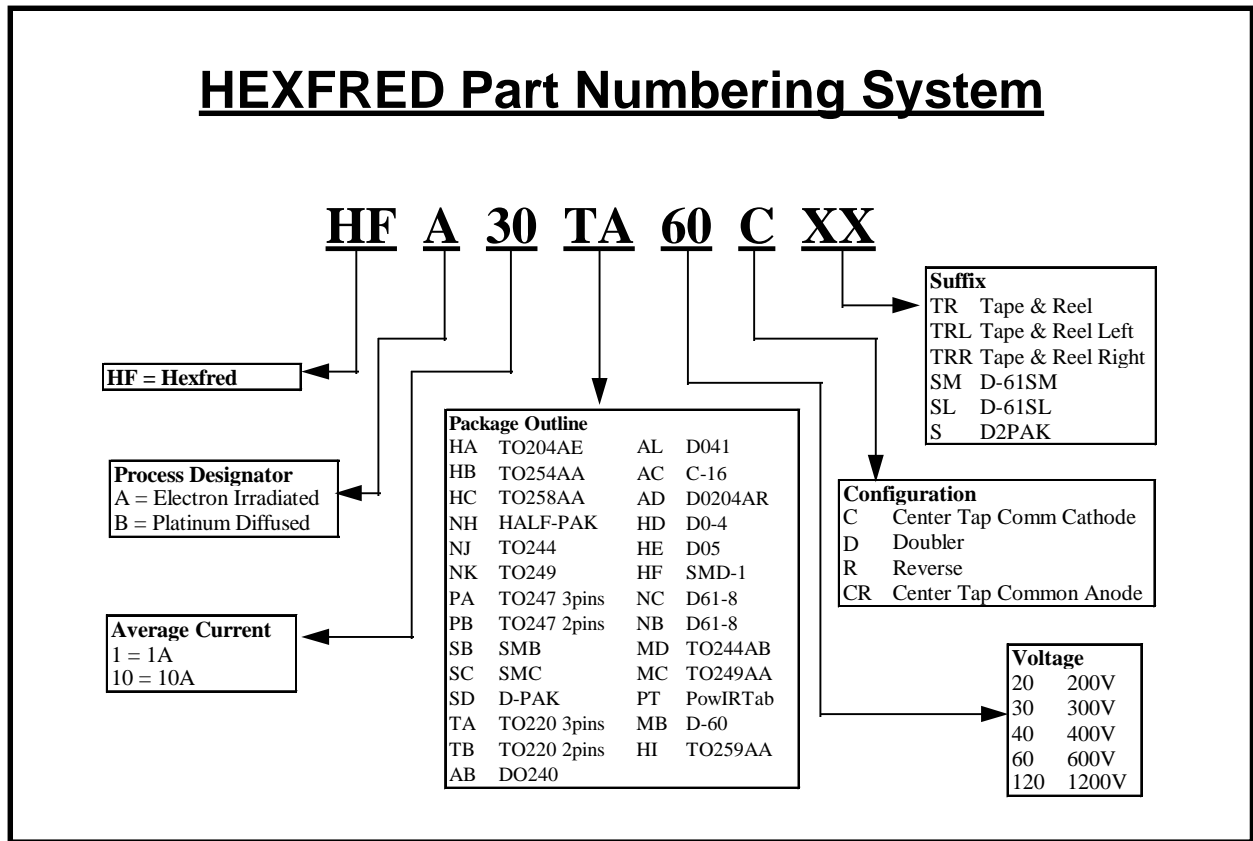


International Rectifier - Part Numbering System

Schottky Part Numbering System

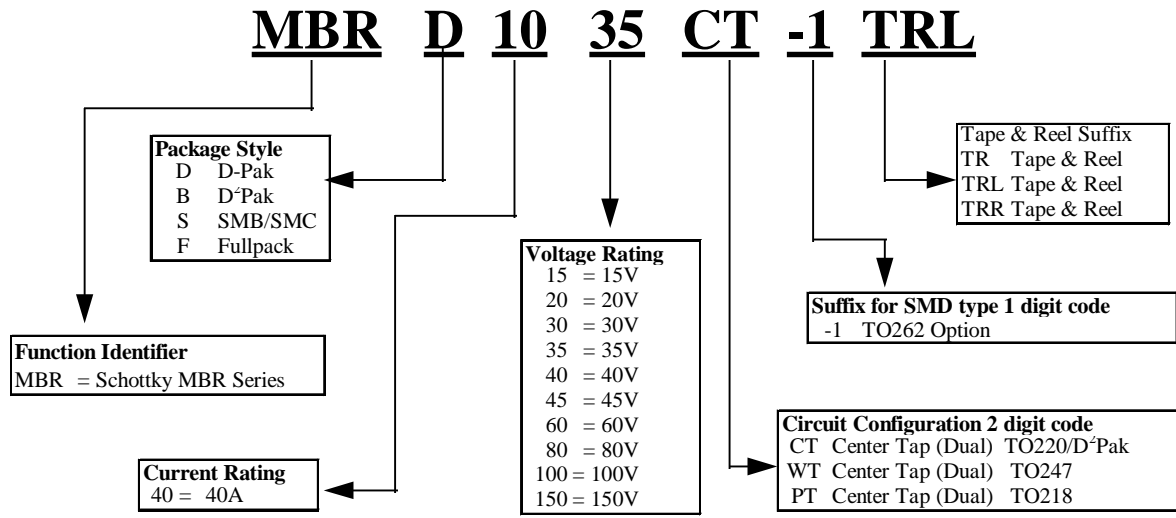


HEXFRED Part Numbering System

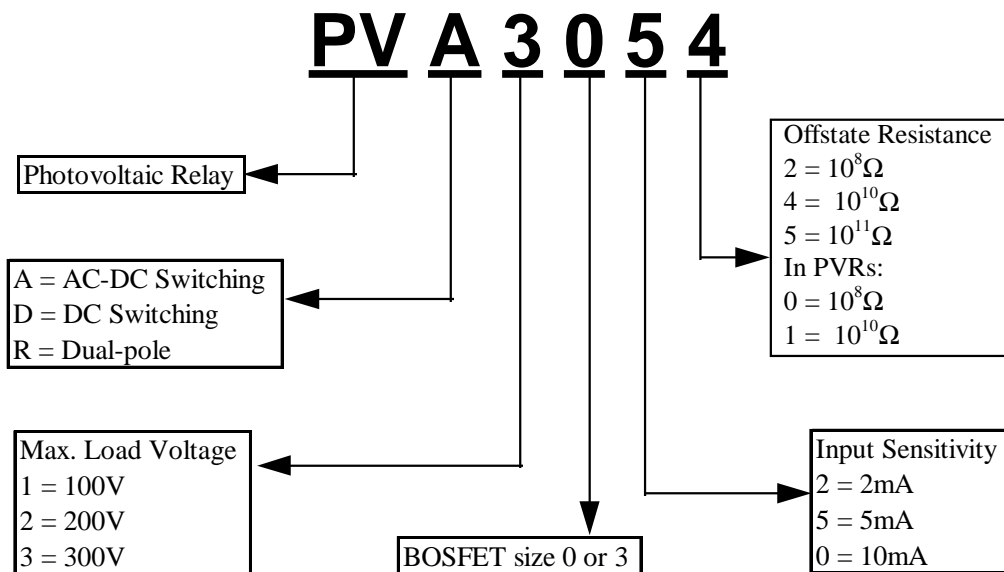


International Rectifier - Part Numbering System

Schottky "MBR" Part Numbering System



Photovoltaic Relay - Gen 1 PVR



OUR CERTIFICATE

DiGi provide top-quality products and perfect service for customer worldwide through standardization, technological innovation and continuous improvement. DiGi through third-party certification, we stricly control the quality of products and services. Welcome your RFQ to

Email: Info@DiGi-Electronics.com



Tel: +00 852-30501935

RFQ Email: Info@DiGi-Electronics.com

DiGi is a global authorized distributor of electronic components.