

IRFC4668D Datasheet



<https://www.DiGi-Electronics.com>

DiGi Electronics Part Number	IRFC4668D-DG
Manufacturer	Infineon Technologies
Manufacturer Product Number	IRFC4668D
Description	MOSFET N-CH WAFER
Detailed Description	



Tel: +00 852-30501935

RFQ Email: Info@DiGi-Electronics.com

DiGi is a global authorized distributor of electronic components.

Purchase and inquiry

Manufacturer Product Number:

IRFC4668D

Series:

-

Current - Continuous Drain (Id) @ 25°C:

-

Manufacturer:

Infineon Technologies

Product Status:

Obsolete

Environmental & Export classification

Moisture Sensitivity Level (MSL):

1 (Unlimited)

ECCN:

OBSOLETE

REACH Status:

REACH Unaffected

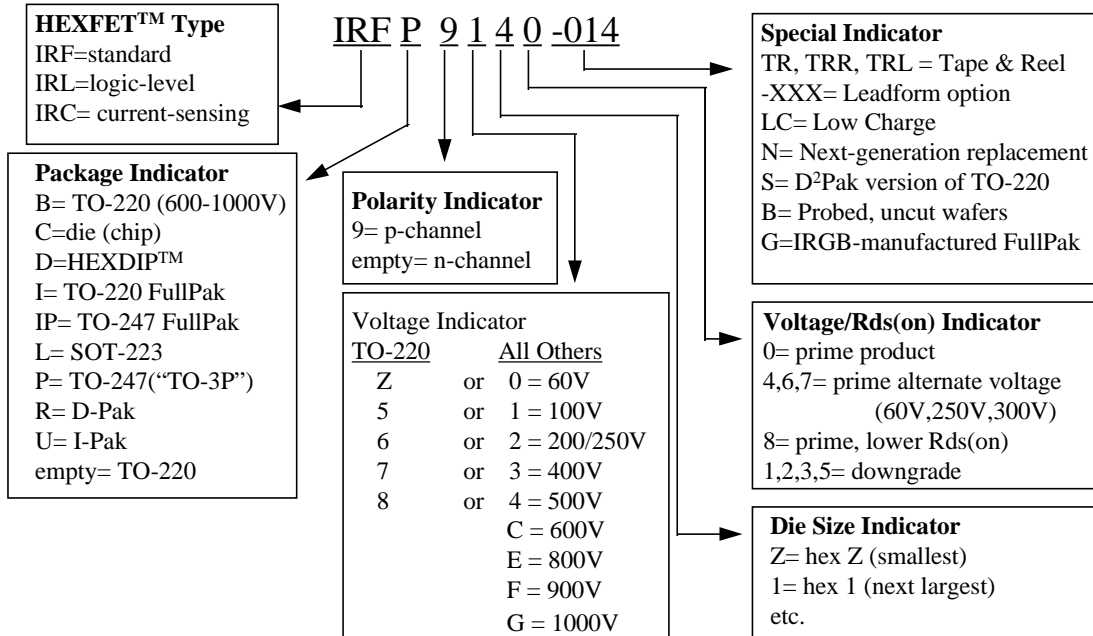
HTSUS:

0000.00.0000

International Rectifier - Part Numbering System

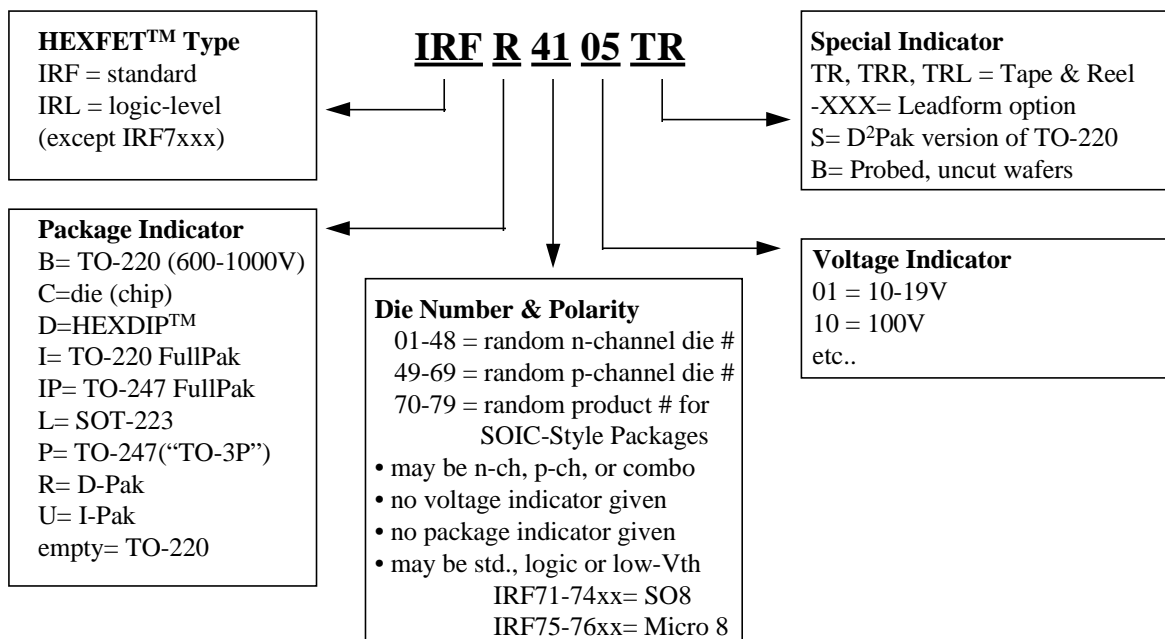
Conventional HEXFET

This part numbering applies to commercial, discrete Generation 3 HEXFET Power MOSFETS



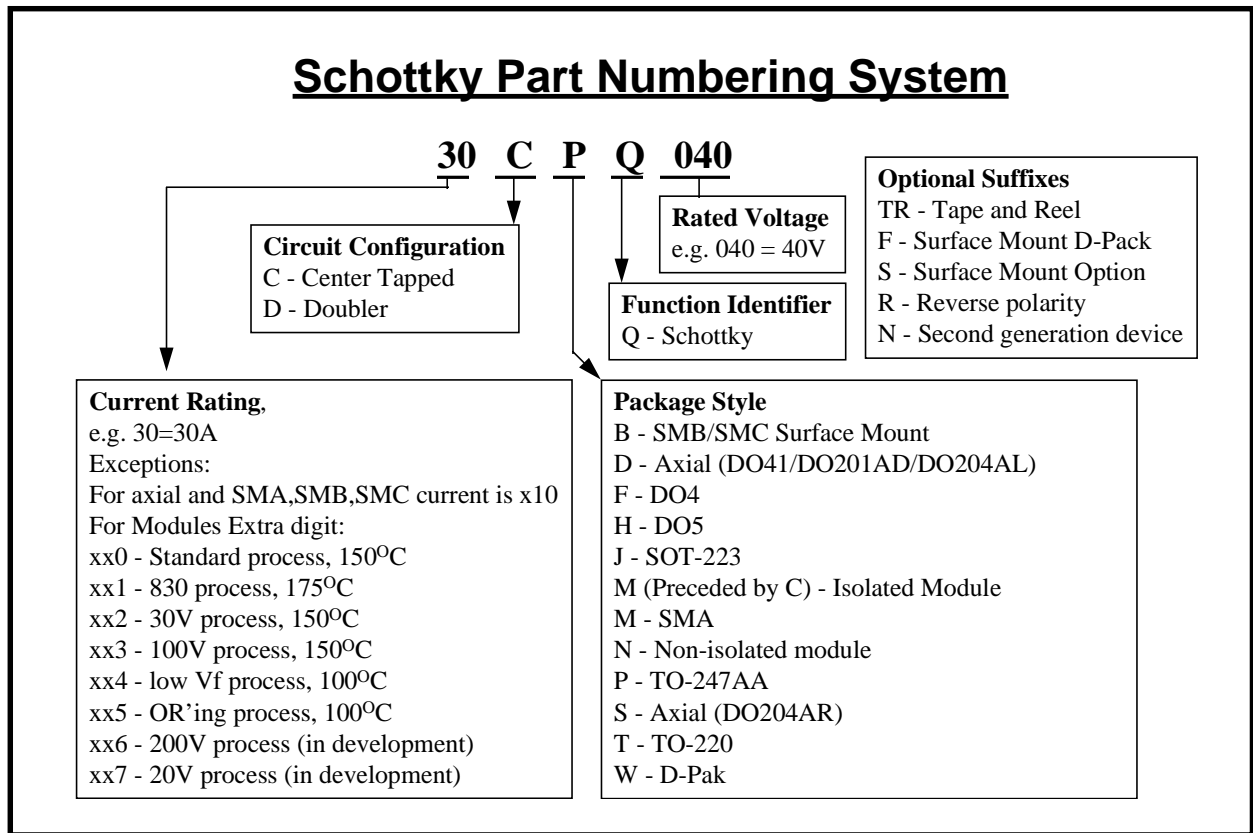
Advanced HEXFET

This part numbering applies to commercial, discrete Generation 4 OR 5 HEXFET Power MOSFETS

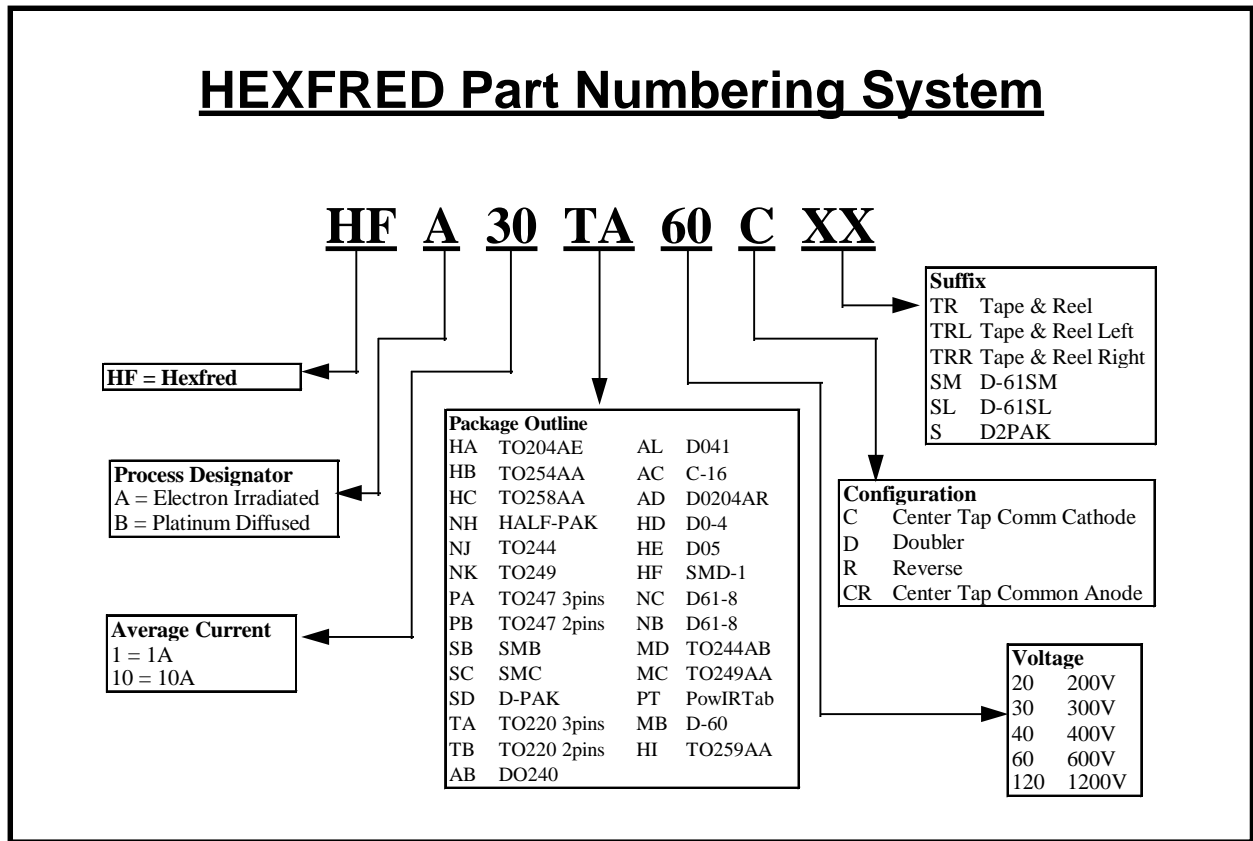


International Rectifier - Part Numbering System

Schottky Part Numbering System

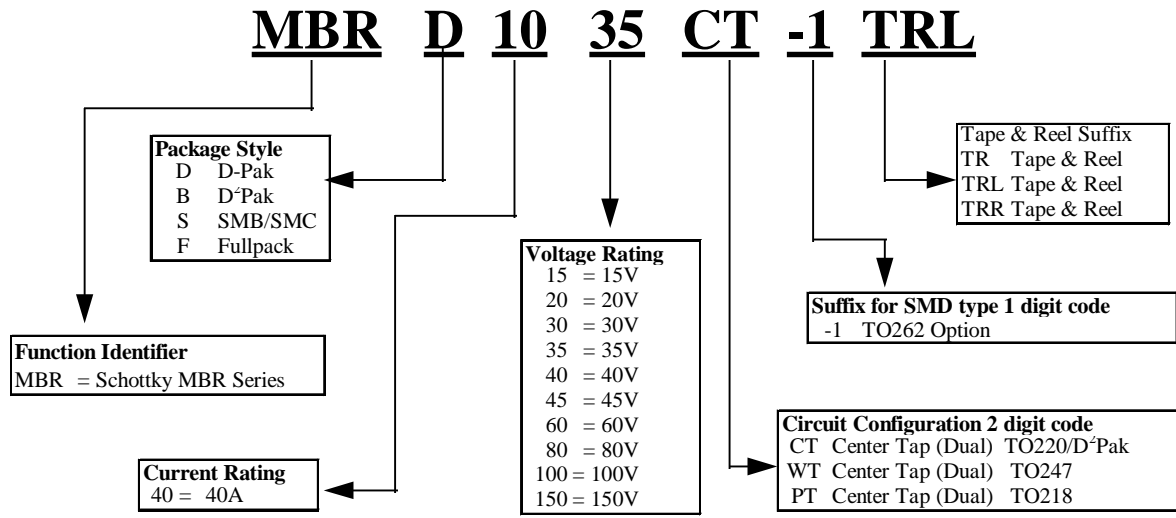


HEXFRED Part Numbering System

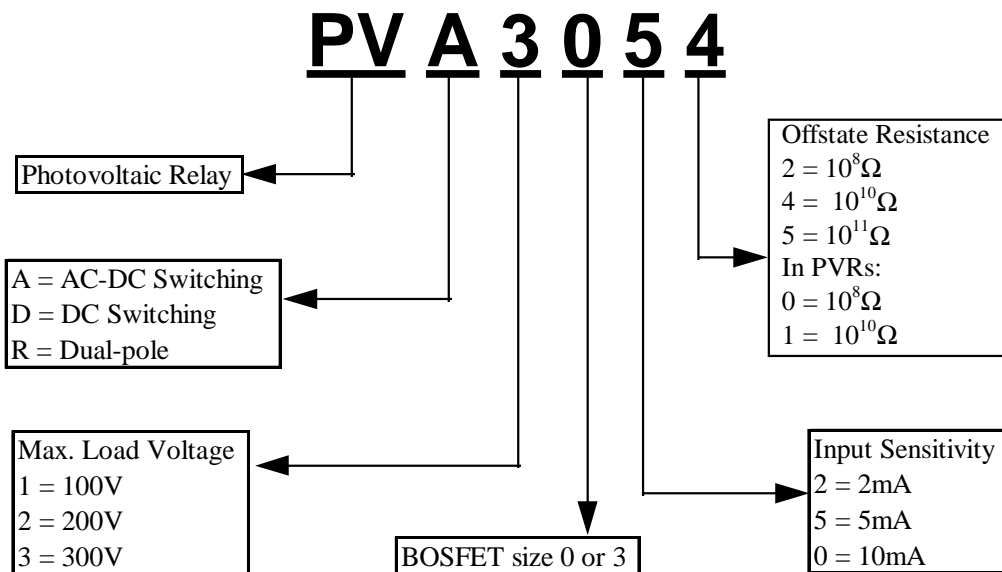


International Rectifier - Part Numbering System

Schottky "MBR" Part Numbering System



Photovoltaic Relay - Gen 1 PVR



OUR CERTIFICATE

DiGi provide top-quality products and perfect service for customer worldwide through standardization, technological innovation and continuous improvement. DiGi through third-party certification, we stricly control the quality of products and services. Welcome your RFQ to

Email: Info@DiGi-Electronics.com



Tel: +00 852-30501935

RFQ Email: Info@DiGi-Electronics.com

DiGi is a global authorized distributor of electronic components.