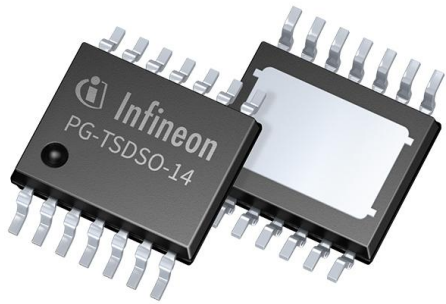


# TLD23313EPXUMA1 Datasheet

[www.digi-electronics.com](http://www.digi-electronics.com)



<https://www.DiGi-Electronics.com>

DiGi Electronics Part Number	TLD23313EPXUMA1-DG
Manufacturer	<a href="#">Infineon Technologies</a>
Manufacturer Product Number	TLD23313EPXUMA1
Description	IC LED DRVR LIN PWM 60MA 14TSDSO
Detailed Description	LED Driver IC 3 Output Linear PWM Dimming 60mA PG-TSDSO-14



Tel: +00 852-30501935

RFQ Email: [Info@DiGi-Electronics.com](mailto:Info@DiGi-Electronics.com)

DiGi is a global authorized distributor of electronic components.

## Purchase and inquiry

Manufacturer Product Number:

TLD23313EPXUMA1

Series:

LITIX™

Type:

Linear

Internal Switch(s):

Yes

Voltage - Supply (Min):

5.5V

Voltage - Output:

40V

Frequency:

-

Applications:

-

Grade:

Automotive

Mounting Type:

Surface Mount

Supplier Device Package:

PG-TSDSO-14

Manufacturer:

Infineon Technologies

Product Status:

Active

Topology:

-

Number of Outputs:

3

Voltage - Supply (Max):

40V

Current - Output / Channel:

60mA

Dimming:

PWM

Operating Temperature:

-40°C ~ 150°C (TJ)

Qualification:

AEC-Q100

Package / Case:

14-TSSOP (0.154", 3.90mm Width) Exposed Pad

Base Product Number:

TLD23313

## Environmental & Export classification

RoHS Status:

ROHS3 Compliant

REACH Status:

REACH Unaffected

HTSUS:

8542.39.0001

Moisture Sensitivity Level (MSL):

2A (4 Weeks)

ECCN:

EAR99

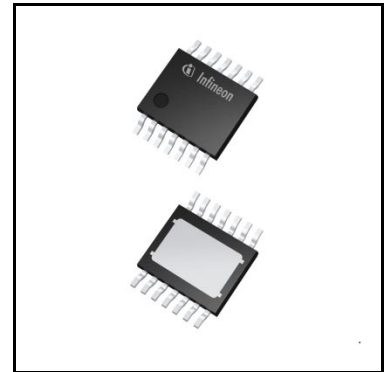
# TLD2331-3EP

## LITIX™ Basic+



### Features

- Triple channel device with integrated and protected output stages (current sources), optimized to drive LEDs as additional low cost current source
- High output current (up to 80 mA) per channel
- Very low current consumption in sleep mode
- Very low output leakage when channel is “off”
- Low current consumption during fault
- Additional output current demand supported by LITIX™ Companion direct drive
- Very high precision digital dimming supported
- Intelligent fault management: up to 16 and more devices can share a common error network with only one external resistor
- Reverse polarity protection allows reduction of external components and improves system performance at low battery/input voltages
- Overload protection
- Wide temperature range:  $-40^{\circ}\text{C} < T_j < 150^{\circ}\text{C}$
- Output current control via external low power resistor
- Green product (RoHS compliant)



### Potential applications

- Cost effective “stop”/ “tail” function implementation with shared and separated LEDs per function
- Turn indicators
- Position, fog, rear lights and side markers
- Animated light functions like wiping indicators and “welcome/goodbye” functions
- Day Running Light
- Interior lighting functions like ambient lighting (including RGB color control), illumination and dash board lighting
- LED indicators for industrial applications and instrumentation

### Product validation

Qualified for Automotive Applications. Product Validation according to AEC-Q100/101.

## TLD2331-3EP

### LITIX™ Basic+

## Description

The LITIX™ Basic+ TLD2331-3EP is a triple channel high-side driver IC with integrated output stages. It is designed to control LEDs with a current up to 80 mA. In typical automotive applications the device is capable of driving 3 red LEDs per chain (total 9 LEDs) with a current up to 60 mA and even above, if not limited by the overall system thermal properties. Practically, the output current is controlled by an external resistor or reference source, independently from load and supply voltage changes.

**Table 1 Product summary**

Parameter	Symbol	Values
Operating voltage	$V_{S(nom)}$	5.5 V ... 40 V
Maximum voltage	$V_{S(max)}$ $V_{OUTx(max)}$	40 V
Nominal output (load) current	$I_{OUTx(nom)}$	60 mA (nominal) when using the automotive supply voltage range 8 V - 18 V. Currents up to $I_{OUTx(max)}$ are possible with low thermal resistance $R_{thJA}$
Maximum output (load) current	$I_{OUTx(max)}$	80 mA depending on $R_{thJA}$
Current accuracy at $R_{SET} = 10 \text{ k}\Omega$	$K_{LTx}$	300 ±5%
Current consumption in sleep mode	$I_{S(sleep, typ)}$	0.1 µA
Maximum current consumption during fault	$I_{S(fault, ERRN)}$	850 µA or less when fault is detected from another device (disabled via ERRN)

Type	Package	Marking
TLD2331-3EP	PG-TSDSO-14	TLD2331

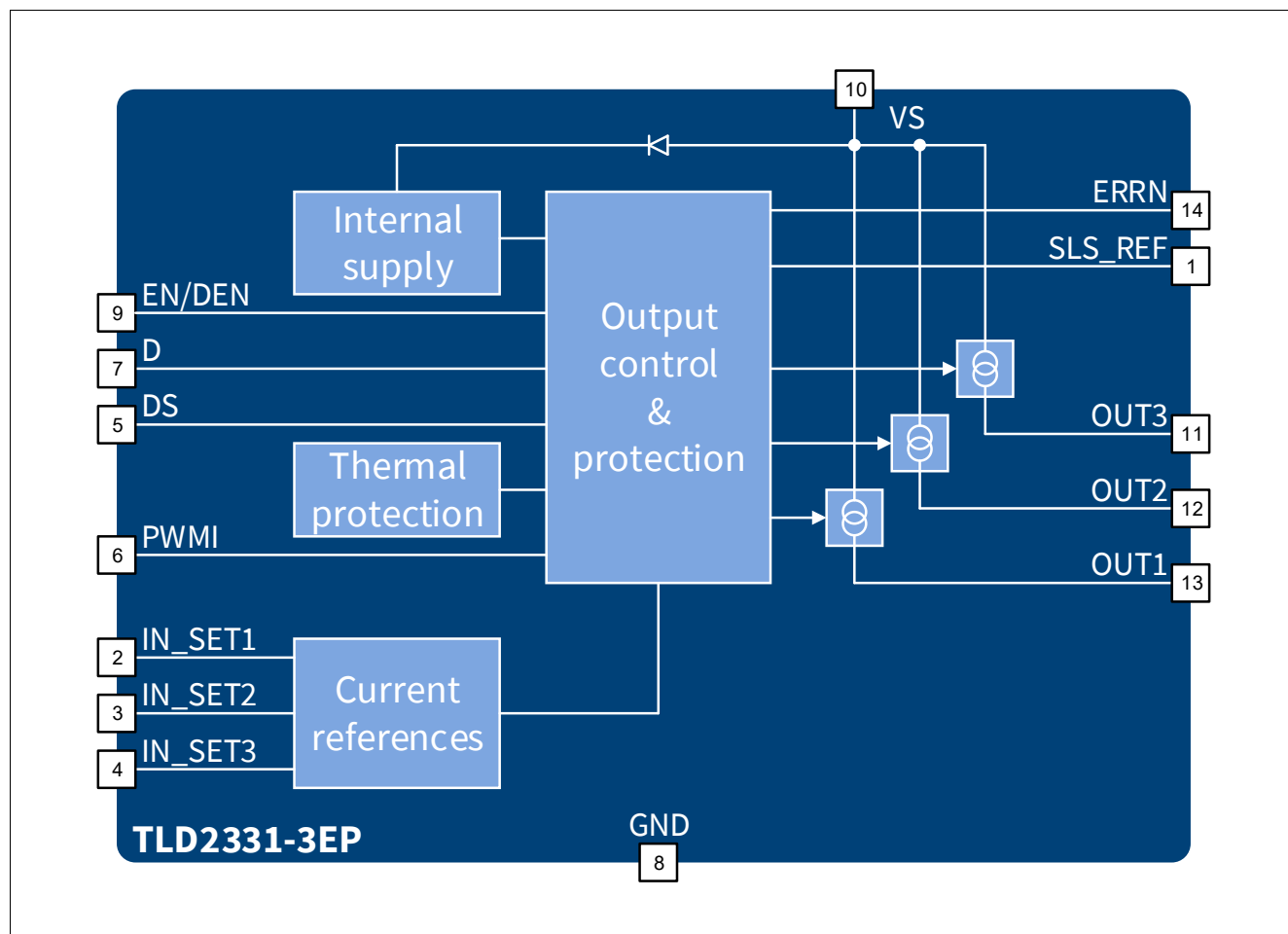
## Table of Contents

<b>1</b>	<b>Block diagram</b>	<b>4</b>
<b>2</b>	<b>Pin configuration</b>	<b>5</b>
2.1	Pin assignment	5
2.2	Pin definitions and functions	5
<b>3</b>	<b>General product characteristics</b>	<b>7</b>
3.1	Absolute maximum ratings	7
3.2	Functional range	8
3.3	Thermal resistance	9
<b>4</b>	<b>Internal supply</b>	<b>10</b>
4.1	Description	10
4.2	Electrical characteristics internal supply and EN pin	12
<b>5</b>	<b>Power stages</b>	<b>14</b>
5.1	Protection	14
5.1.1	Thermal protection	14
5.1.2	Reverse battery protection	15
5.2	Output configuration via IN_SETx and PWMI pins	15
5.2.1	IN_SETx pins	15
5.2.2	Output current adjustment via $R_{SET}$	15
5.2.3	Output control via IN_SETx	16
5.2.4	IN_SETx pins behavior during device fault management	17
5.2.5	Timing diagrams	17
5.3	Electrical characteristics power stage	19
5.4	Electrical characteristics IN_SETx and PWMI pins for output settings	21
<b>6</b>	<b>Load diagnosis</b>	<b>23</b>
6.1	Error management via ERRN and D-pins	23
6.1.1	ERRN pin	23
6.1.2	D-pin	25
6.2	Open Load (OL) and short OUTx to GND (SC)	26
6.2.1	Fault management (D-pin open or connected with a capacitor to GND)	26
6.2.2	Fault management (D-pin connected to GND)	28
6.3	Single LED Short detection, SLS_REF and DS pins	30
6.3.1	SLS_REF pin	31
6.3.2	DS pin	32
6.3.3	SLS fault detection	32
6.3.4	SLS fault management: D and DS pins open or connected with capacitors to GND (low power consumption mode with retry strategy)	32
6.3.5	SLS fault management: D-pin shorted to GND	33
6.4	Electrical characteristics: Load diagnosis and Overload management	34
<b>7</b>	<b>Application information</b>	<b>37</b>
<b>8</b>	<b>Package outline</b>	<b>38</b>
<b>9</b>	<b>Revision History</b>	<b>39</b>

**TLD2331-3EP**  
**LITIX™ Basic+**

**Block diagram**

**1 Block diagram**



**Figure 1 Block diagram**

## TLD2331-3EP

### LITIX™ Basic+

#### Pin configuration

## 2 Pin configuration

### 2.1 Pin assignment

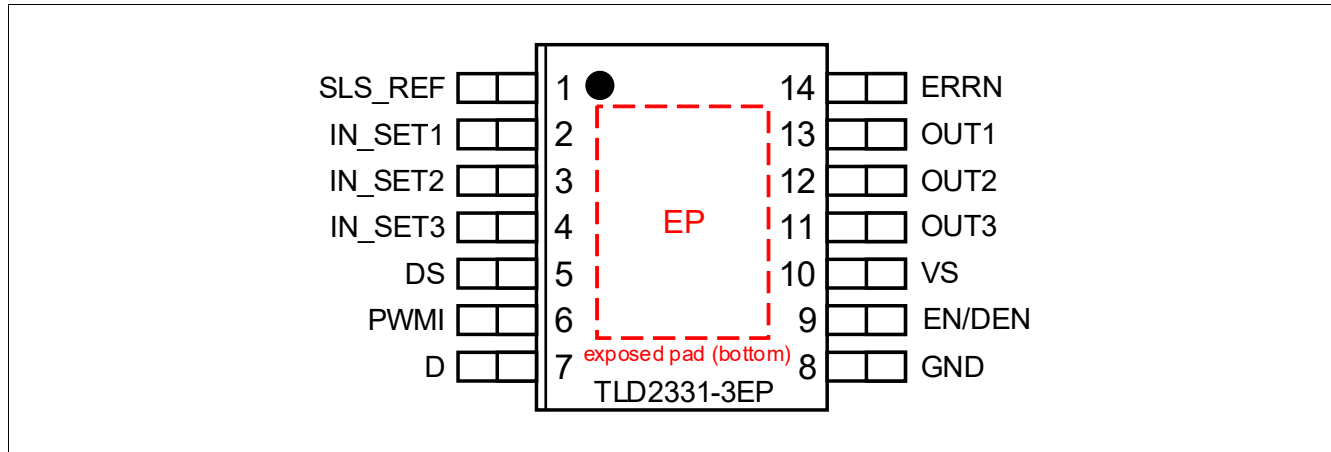


Figure 2 Pin configuration

### 2.2 Pin definitions and functions

Pin	Symbol	Function
10	VS	<b>Supply voltage;</b> Connected to battery or supply control switch, with EMC filter
8	GND	<b>Ground;</b> Signal ground
2	IN_SET1	<b>Control input for OUT1 channel;</b> Connect to a low power resistor to adjust OUT1 output current. Alternatively, a different current reference (i.e. the OUT_SET of another LITIX™ Basic+ LED Driver) may be connected
3	IN_SET2	<b>Control input for OUT2 channel;</b> Connect to a low power resistor to adjust OUT2 output current. Alternatively, a different current reference (i.e. the OUT_SET of another LITIX™ Basic+ LED Driver) may be connected
4	IN_SET3	<b>Control input for OUT3 channel;</b> Connect to a low power resistor to adjust OUT3 output current. Alternatively, a different current reference (i.e. the OUT_SET of another LITIX™ Basic+ LED Driver) may be connected
6	PWMI	<b>PWM input;</b> Connect to an external PWM controller. If not used, connect to GND
1	SLS_REF	<b>Single LED short reference input;</b> Connect to a low power resistor or a voltage reference to adjust Internal SLS threshold. If not used, connect to GND
5	DS	<b>Single LED short delay/restart input;</b> Connect to a capacitor, leave open or connect to GND, depending on the required diagnosis management for single LED short detection (see <a href="#">Chapter 6</a> for further details)
7	D	<b>Disable/delay error input;</b> Connect to a capacitor, leave open or connect to GND, depending on the required diagnosis management (see <a href="#">Chapter 6</a> for further details)



## TLD2331-3EP

### LITIX™ Basic+

#### Pin configuration

Pin	Symbol	Function
14	ERRN	<b>ERROR flag I/O;</b> Open drain, active low. Connect to a pull-up resistor
9	EN/DEN	<b>Outputs enable and diagnosis control input;</b> Connect to a control input (i.e. to VS via a resistor divider or a Zener diode) to enable OUTx control and diagnosis capability
13	OUT1	<b>Channel 1 output pin;</b> Connect to the target load
12	OUT2	<b>Channel 2 output pin;</b> Connect to the target load
11	OUT3	<b>Channel 3 output pin;</b> Connect to the target load
Exposed Pad	EP	<b>Exposed Pad;</b> Connected to GND-pin in application



# TLD2331-3EP

## LITIX™ Basic+

### General product characteristics

## 3 General product characteristics

### 3.1 Absolute maximum ratings

**Table 2 Absolute maximum ratings<sup>1)</sup>**

$T_J = -40^\circ\text{C}$  to  $+150^\circ\text{C}$ ;  $R_{IN\_SETx} = 10\text{ k}\Omega$ ; all voltages with respect to GND, positive current flowing into input and I/O pins, positive current flowing out from output pins (unless otherwise specified)

Parameter	Symbol	Values			Unit	Note or Test Condition	Number
		Min.	Typ.	Max.			
<b>Voltage</b>							
Supply voltage	$V_S$	-18	–	40	V	–	P_4.1.1
EN/DEN voltage	$V_{EN/DEN}$	-18	–	40	V	–	P_4.1.3
EN/DEN voltage related to $V_S$ : $V_{EN/DEN} - V_S$	$V_{EN/DEN(VS)}$	-40	–	18	V	–	P_4.1.4
EN/DEN voltage related to $V_{OUTx}$ : $V_{EN/DEN} - V_{OUTx}$	$V_{EN/DEN(V_{OUTx})}$	-18	–	40	V	–	P_4.1.5
Output voltages	$V_{OUTx}$	-1	–	40	V	–	P_4.1.10
Output voltages related to $V_S$ : $V_S - V_{OUTx}$	$V_{OUTx(VS)}$	-18	–	40	V	–	P_4.1.11
IN_SETx voltages	$V_{IN\_SETx}$	-0.3	–	6	V	–	P_4.1.12
PWMI voltage	$V_{PWMI}$	-0.3	–	6	V	–	P_4.1.14
ERRN voltage	$V_{ERRN}$	-0.3	–	40	V	–	P_4.1.18
D Voltage	$V_D$	-0.3	–	6	V	–	P_4.1.19
DS voltage	$V_{DS}$	-0.3	–	6	V	–	P_4.1.42
SLS_REF voltage	$V_{SLS\_REF}$	-0.3	–	6	V	–	P_4.1.43
<b>Current</b>							
Output currents (On each output channel OUTn)	$I_{OUTx}$	0	–	95	mA	–	P_4.1.21
PWMI current	$I_{PWMI}$	-0.5	–	0.5	mA	–	P_4.1.26
IN_SETx currents	$I_{IN\_SETx}$	0	–	300	$\mu\text{A}$	–	P_4.1.30
D current	$I_D$	-0.5	–	0.5	mA	–	P_4.1.31
DS current	$I_{DS}$	-0.5	–	0.5	mA	–	P_4.1.44
SLS_REF current	$I_{SLS\_REF}$	-0.5	–	0	mA	–	P_4.1.45
<b>Temperature</b>							
Junction temperature	$T_J$	-40	–	150	$^\circ\text{C}$	–	P_4.1.33
Storage temperature	$T_{stg}$	-55	–	150	$^\circ\text{C}$	–	P_4.1.34
<b>ESD susceptibility</b>							
ESD susceptibility all pins to GND	$V_{ESD}$	-2	–	2	kV	HBM <sup>2)</sup>	P_4.1.36

## TLD2331-3EP

### LITIX™ Basic+

#### General product characteristics

**Table 2 Absolute maximum ratings<sup>1)</sup>** (cont'd)

$T_J = -40^\circ\text{C}$  to  $+150^\circ\text{C}$ ;  $R_{IN\_SETx} = 10\text{ k}\Omega$ ; all voltages with respect to GND, positive current flowing into input and I/O pins, positive current flowing out from output pins (unless otherwise specified)

Parameter	Symbol	Values			Unit	Note or Test Condition	Number
		Min.	Typ.	Max.			
ESD susceptibility all pins to GND	$V_{ESD}$	-500	–	500	V	CDM <sup>3)</sup>	P_4.1.37
ESD susceptibility Pin 1, 7, 8, 14 (corner pins) to GND	$V_{ESD1,7,8,14}$	-750	–	750	V	CDM <sup>3)</sup>	P_4.1.38

1) Not subject to production test, specified by design

2) ESD susceptibility, HBM according to ANSI/ESDA/JEDEC JS001 (1.5 kΩ, 100 pF)

3) ESD susceptibility, Charged Device Model “CDM” according JEDEC JESD22-C101

#### Notes

1. Stresses above the ones listed here may cause permanent damage to the device. Exposure to absolute maximum rating conditions for extended periods may affect device reliability.
2. Integrated protection functions are designed to prevent IC destruction under fault conditions described in the data sheet. Fault conditions are considered as “outside” normal operating range. Protection functions are not designed for continuous repetitive operation.

## 3.2 Functional range

**Table 3 Functional range**

Parameter	Symbol	Values			Unit	Note or Test Condition	Number
		Min.	Typ.	Max.			
Voltage range for normal operation	$V_{S(nom)}$	5.5	–	18	V	–	P_4.2.1
Extended supply voltage for functional range	$V_{S(ext)}$	$V_{SUV(ON)}$	–	40	V	–	P_4.2.2
Junction temperature	$T_J$	-40	–	150	°C	–	P_4.2.4

Note: Within the Normal Operation range, the IC operates as described in the circuit description. Within the Extended Operation range, parameters deviations are possible. The electrical characteristics are specified within the conditions given in the Electrical Characteristics table.

## TLD2331-3EP

### LITIX™ Basic+

#### General product characteristics

### 3.3 Thermal resistance

Note: This thermal data was generated in accordance with JEDEC JESD51 standards. For more information, go to [www.jedec.org](http://www.jedec.org).

**Table 4 Thermal resistance<sup>1)</sup>**

Parameter	Symbol	Values			Unit	Note or Test Condition	Number
		Min.	Typ.	Max.			
Junction to Case	$R_{thJC}$	–	–	10	K/W	<sup>1)2)</sup>	P_4.3.1
Junction to Ambient 1s0p board	$R_{thJA1}$	–	61 56	–	K/W	<sup>1)3)</sup> $T_A = 85^\circ\text{C}$ $T_A = 135^\circ\text{C}$	P_4.3.3
Junction to Ambient 2s2p board	$R_{thJA2}$	–	45 43	–	K/W	<sup>1)4)</sup> $T_A = 85^\circ\text{C}$ $T_A = 135^\circ\text{C}$	P_4.3.4

- 1) Not subject to production test, specified by design
- 2) Specified  $R_{thJC}$  value is simulated at natural convection on a cold plate setup (all pins and exposed pad are fixed to ambient temperature).  $T_A = 85^\circ\text{C}$ . Total power dissipation = 1.5 W
- 3) Specified  $R_{thJA}$  value is according to Jedec JESD51-3 at natural convection on FR4 1s0p board. The product (chip+package) was simulated on a  $76.2 \times 114.3 \times 1.5$  mm board with  $70 \mu\text{m}$  Cu,  $300 \text{ mm}^2$  cooling area. Total power dissipation 1.5 W distributed statically and homogenously over all power stages
- 4) Specified  $R_{thJA}$  value is according to Jedec JESD51-5,-7 at natural convection on FR4 2s2p board; The product (chip+package) was simulated on a  $76.2 \times 114.3 \times 1.5$  mm board with 2 inner copper layers ( $2 \times 70 \mu\text{m}$  Cu,  $2 \times 35 \mu\text{m}$  Cu). Where applicable a thermal via array under the exposed pad contacted the first inner copper layer. Total power dissipation 1.5 W distributed statically and homogenously over all power stages

## TLD2331-3EP

### LITIX™ Basic+

#### Internal supply

## 4 Internal supply

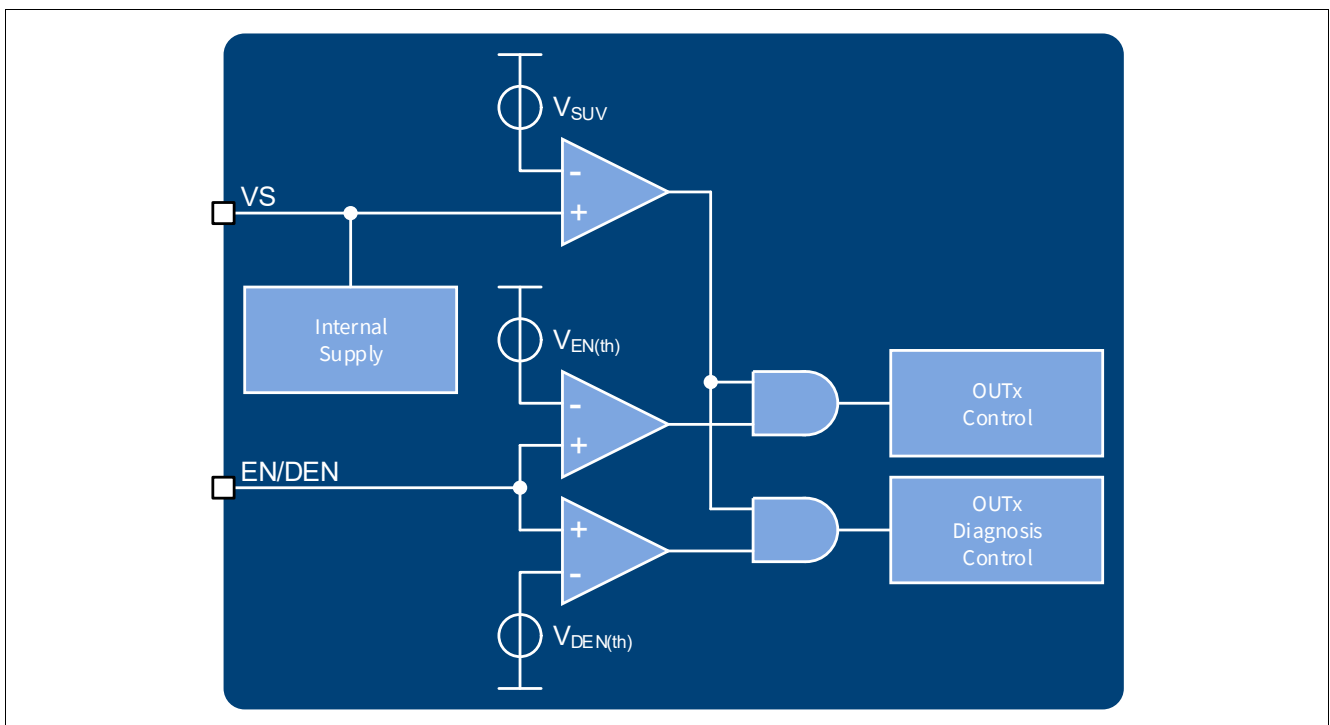
This chapter describes the internal supply in its main parameters and functionality.

### 4.1 Description

The internal supply principle is highlighted in the concept diagram of [Figure 3](#).

If the voltage applied at the EN/DEN pin is below  $V_{EN(th)}$  the device enters sleep mode. In this state all internal functions are switched off and the current consumption is reduced to  $I_{S(sleep)}$ .

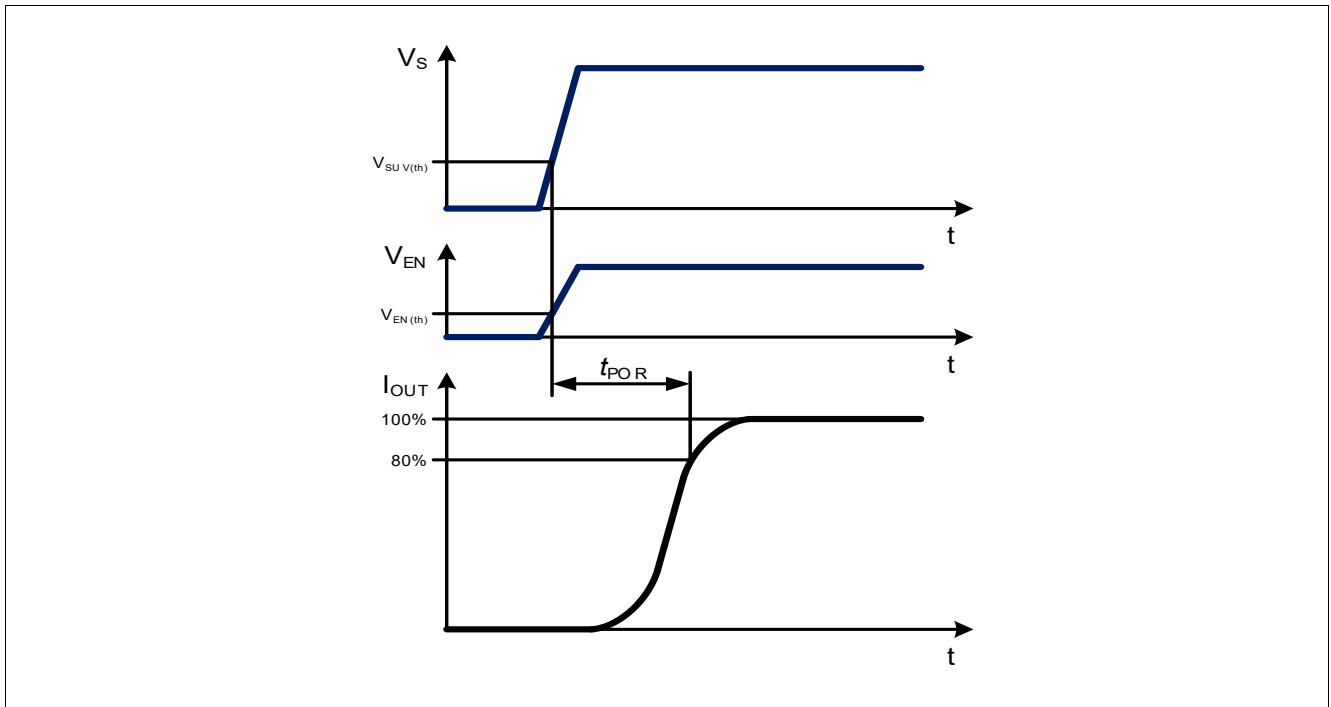
As soon as the voltage applied at the supply pin  $V_S$  is above  $V_{SUV(ON)}$  and the voltage applied at the EN/DEN pin is above  $V_{EN(th)}$ , after the power-on reset time  $t_{POR}$ , the device is ready to deliver output current from the output stages. The power on reset time  $t_{POR}$  has to be taken into account also in relevant application conditions, i. e. with PWM control from  $V_S$  or EN/DEN lines.



**Figure 3** Internal supply

Furthermore, as soon as the voltage applied at the supply pin  $V_S$  is above  $V_{SUV(ON)}$  and the voltage applied to the EN/DEN pin  $V_{EN}$  is above  $V_{DEN(th)}$ , the device is ready to detect and report fault conditions via ERRN (error network pin) as described in [Chapter 6](#).

To program outputs enable and diagnosis enable via EN/DEN pin there are several possibilities, like a resistor divider from  $V_S$  to GND, a Zener diode from EN/DEN to  $V_S$  and also a logic control pin (e.g. from a microcontroller output).

**TLD2331-3EP**  
**LITIX™ Basic+****Internal supply****Figure 4** Power on reset timing diagram

**TLD2331-3EP**  
**LITIX™ Basic+**
**Internal supply**
**4.2 Electrical characteristics internal supply and EN pin**
**Table 5 Electrical characteristics: Internal supply and EN pin**

$T_J = -40^\circ\text{C}$  to  $+150^\circ\text{C}$ ;  $V_S = 5.5\text{ V}$  to  $18\text{ V}$ ;  $R_{IN\_SETx} = 10\text{ k}\Omega$ ; all voltages with respect to GND, positive current flowing into input and I/O pins, positive current flowing out from output pins (unless otherwise specified)

Parameter	Symbol	Values			Unit	Note or Test Condition	Number
		Min.	Typ.	Max.			
Current consumption, sleep mode	$I_{S(\text{sleep})}$	–	0.1	2	$\mu\text{A}$	<sup>1)</sup> $V_{EN} = 0\text{ V}$ $T_J < 85^\circ\text{C}$ $V_S = 18\text{ V}$ $V_{OUTx} = 3.6\text{ V}$	P_5.2.1
Current consumption, active mode (no fault)	$I_{S(\text{active})}$	–	1.5	3	mA	$V_{EN} = 5.5\text{ V}$ $I_{IN\_SETx} = 0\text{ }\mu\text{A}$ $T_J < 105^\circ\text{C}$ $V_S = 18\text{ V}$ $V_{OUTx} = 3.6\text{ V}$	P_5.2.3
Current consumption during fault condition triggered from another device sharing ERRN bus (all channels deactivated)	$I_{S(\text{fault, ERRN})}$	–	–	850	$\mu\text{A}$	$V_{EN} = 5.5\text{ V}$ $T_J < 105^\circ\text{C}$ $V_S = 18\text{ V}$ $V_{ERRN} = 0\text{ V}$ $V_{OUTx} = 3.6\text{ V}$ D open	P_5.2.4
Current consumption during fault condition (all channels deactivated)	$I_{S(\text{fault, OUT})}$	–	–	1.25	mA	$V_{EN} = 5.5\text{ V}$ $T_J < 105^\circ\text{C}$ $V_S = 18\text{ V}$ $V_{OUT1} = 0\text{ V}$ $V_{OUT2} = V_{OUT3} = 3.6\text{ V}$ D open	P_5.2.16

**Supply thresholds**

Required supply voltage for output activation	$V_{SUV(\text{ON})}$	–	–	5.5	V	$V_{EN} = V_S$ $V_{OUTx} = 3\text{ V}$ $R_{IN\_SETx} = 6.8\text{ k}\Omega$ $I_{OUTx} > 50\%$ $I_{OUTx(\text{nom})}$	P_5.2.5
Required supply voltage for output deactivation	$V_{SUV(\text{OFF})}$	4.5	–	–	V	$V_{EN} = V_S$ $V_{OUTx} = 3\text{ V}$ $R_{IN\_SETx} = 6.8\text{ k}\Omega$ $I_{OUTx} < 50\%$ $I_{OUTx(\text{nom})}$	P_5.2.6
Supply voltage activation hysteresis: $V_{SUV(\text{ON})} - V_{SUV(\text{OFF})}$	$V_{SUV(\text{hys})}$	–	200	–	mV	<sup>1)</sup> $V_{EN} > V_{EN(\text{th})}$	P_5.2.8

**TLD2331-3EP**  
**LITIX™ Basic+**
**Internal supply**
**Table 5 Electrical characteristics: Internal supply and EN pin (cont'd)**

$T_J = -40^\circ\text{C}$  to  $+150^\circ\text{C}$ ;  $V_S = 5.5\text{ V}$  to  $18\text{ V}$ ;  $R_{\text{IN\_SETX}} = 10\text{ k}\Omega$ ; all voltages with respect to GND, positive current flowing into input and I/O pins, positive current flowing out from output pins (unless otherwise specified)

Parameter	Symbol	Values			Unit	Note or Test Condition	Number
		Min.	Typ.	Max.			
<b>EN pin</b>							
EN outputs enable threshold	$V_{\text{EN(th)}}$	1.4	1.65	1.8	V	$V_S = 5.5\text{ V}$ $V_{\text{PS}} = 2\text{ V}$ $R_{\text{IN\_SETX}} = 6.8\text{ k}\Omega$ $I_{\text{OUTX}} = 50\%$ $I_{\text{OUTX(nom)}}$	P_5.2.9
DEN diagnosis enable threshold	$V_{\text{DEN(th)}}$	2.4	2.5	2.8	V	$V_S = 5.5\text{ V}$	P_5.2.11
DEN diagnosis enable hysteresis	$V_{\text{DEN(hys)}}$	–	120	–	mV	<sup>1)</sup> $R_{\text{IN\_SETX}} = 6.8\text{ k}\Omega$	P_5.2.12
EN/DEN pull-down current	$I_{\text{EN/DEN(PD)}}$	–	–	15	$\mu\text{A}$	<sup>1)</sup> $V_S > 8\text{ V}$ $V_{\text{EN/DEN}} = 2.8\text{ V}$	P_5.2.17
EN/DEN pull-down current	$I_{\text{EN/DEN(PD)}}$	–	–	35	$\mu\text{A}$	<sup>1)</sup> $V_S > 8\text{ V}$ $V_{\text{EN/DEN}} = 5.5\text{ V}$	P_5.2.14
EN/DEN pull-down current	$I_{\text{EN/DEN(PD)}}$	–	–	150	$\mu\text{A}$	<sup>1)</sup> $V_S > 8\text{ V}$ $V_{\text{EN/DEN}} = V_S$	P_5.2.15
<b>Timing</b>							
Power on reset delay time	$t_{\text{POR}}$	–	–	25	$\mu\text{s}$	<sup>1)</sup> $V_S$ rising from $0\text{ V}$ to $13.5\text{ V}$ $V_{\text{OUTX}} = 3.6\text{ V}$ $R_{\text{IN\_SETX}} = 6.8\text{ k}\Omega$ $I_{\text{OUTX}} = 80\%$ $I_{\text{OUTX(nom)}}$	P_5.2.13

1) Not subjected to production test: specified by design

## TLD2331-3EP

### LITIX™ Basic+

#### Power stages

## 5 Power stages

The three output stages are realized as high-side current sources with an output current up to 80mA. During off state the leakage current at the output stages is minimized in order to prevent a slightly glowing LED.

The maximum output current is limited by the power dissipation and used PCB cooling areas.

For an operating output current control loop, the supply and output voltages have to be considered according to the following parameters:

- Required supply voltage for current control  $V_{S(CC)}$
- Voltage drop over through the output stage during current control  $V_{PSx(CC)}$
- Required output voltage for current control  $V_{OUTx(CC)}$

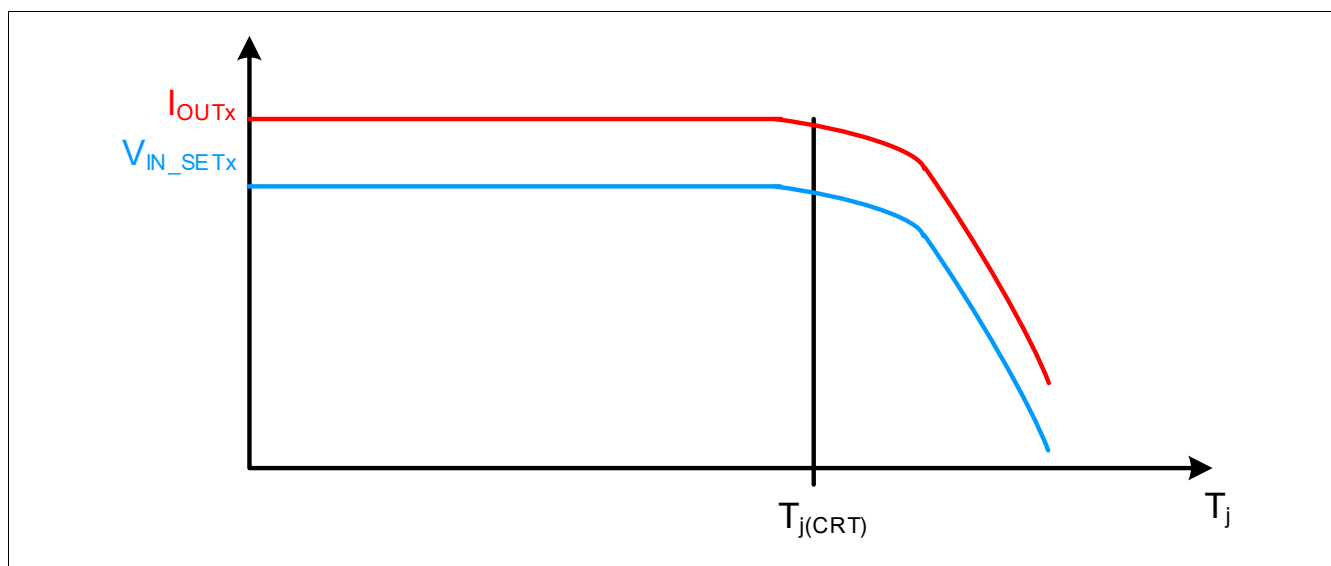
### 5.1 Protection

The device provides embedded protective functions, which are designed to prevent IC damage under fault conditions described in this datasheet. Fault conditions are considered as “outside” normal operating range. Protective functions are not designed for continuous nor for repetitive operations.

#### 5.1.1 Thermal protection

A thermal protection circuitry is integrated in the device. It is realized by a temperature monitoring of the output stages.

As soon as the junction temperature exceeds the current reduction temperature threshold  $T_{J(CRT)}$  the output current can be reduced by the device by reducing the  $IN\_SETx$  reference voltage  $V_{IN\_SETx(ref)}$ . This feature greatly helps to avoid LEDs flickering during static output overload conditions. Furthermore, it helps to protect the LEDs, which are mounted thermally close to the device, against overtemperature. If the device temperature still increases, the three output currents decrease close to 0 A. As soon as the device cools down the output currents rise again.



**Figure 5** Output current reduction at high temperature (qualitative diagram)

*Note:* It is assumed that a configuration resistor  $R_{SET}$  is applied from  $IN\_SET$  to GND, and not a current source, to make the protection effective.



## TLD2331-3EP

### LITIX™ Basic+

#### Power stages

#### 5.1.2 Reverse battery protection

The device has an integrated reverse battery protection feature. This feature protects the driver IC itself and, potentially, also connected LEDs. The output reverse current is limited to  $I_{OUTx(REV)}$  by the reverse battery protection.

#### 5.2 Output configuration via IN\_SETx and PWMI pins

Outputs current can be defined via IN\_SETx and pins.

##### 5.2.1 IN\_SETx pins

The IN\_SETx pins are multiple function pins for the outputs current definition and inputs control.

Output currents definition and analog dimming control can be done defining accordingly the IN\_SETx currents.

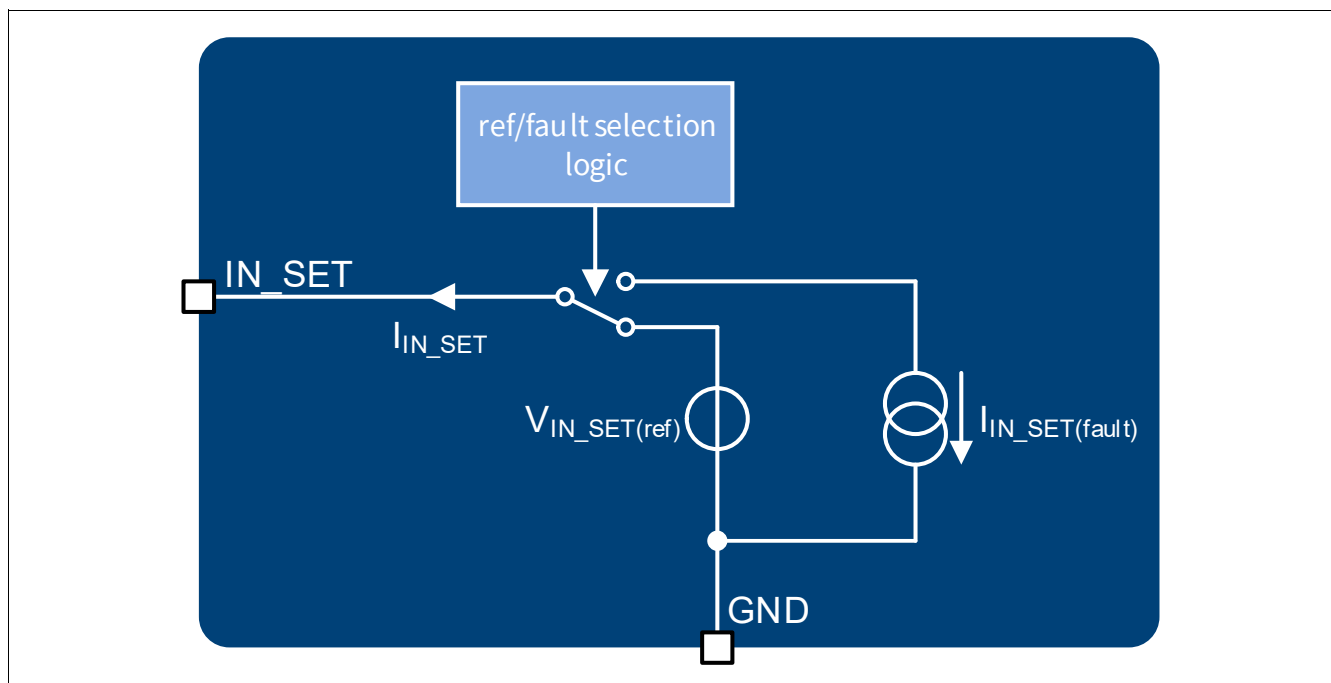


Figure 6 IN\_SETx pins block diagram

##### 5.2.2 Output current adjustment via $R_{SET}$

The output current for the channels can be defined connecting a low power resistor ( $R_{SETx}$ ) between the IN\_SETx pins and GND. The dimensioning of the resistors can be done using the formula:

$$I_{OUTx} = k \cdot I_{IN\_SETx} = k \cdot V_{IN\_SETx(ref)} / R_{SETx} \quad (5.1)$$

The gain factor  $k_x$  (defined as the ratio  $I_{OUTx}/I_{IN\_SETx}$ ) is graphically described in [Figure 7](#).

The current through the  $R_{SETx}$  is defined by the resistor itself and the reference voltage  $V_{IN\_SETx(ref)}$ , which is applied to the IN\_SETx pin when the device is supplied and the channel enabled.

## TLD2331-3EP

### LITIX™ Basic+

#### Power stages

### 5.2.3 Output control via IN\_SETx

The IN\_SETx pins can be connected via their  $R_{SETx}$  to the open-drain outputs of a microcontroller or to an external NMOS transistor as described in [Figure 9](#). This signal can be used to turn off the relative output stages of the IC.

A minimum IN\_SETx current of  $I_{IN\_SETx(ACT)}$  is required to turn on the output stages. This feature is implemented to prevent glowing of LEDs caused by leakage currents on the IN\_SETn pins, see again [Figure 7](#) for details.

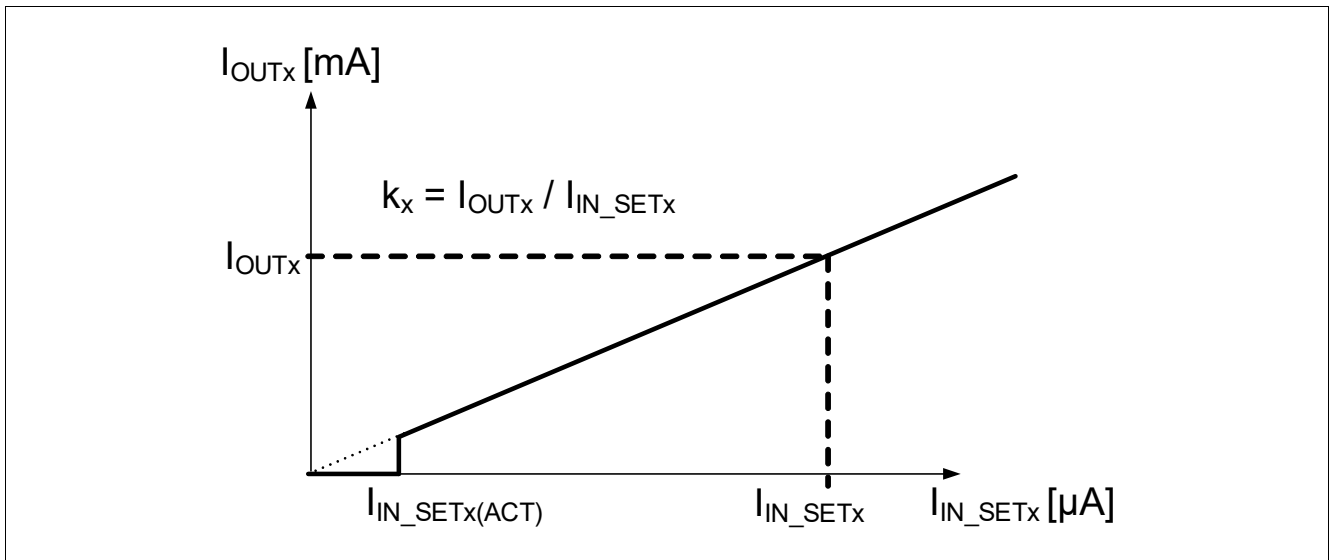


Figure 7  $I_{OUTx}$  vs  $I_{IN\_SETx}$

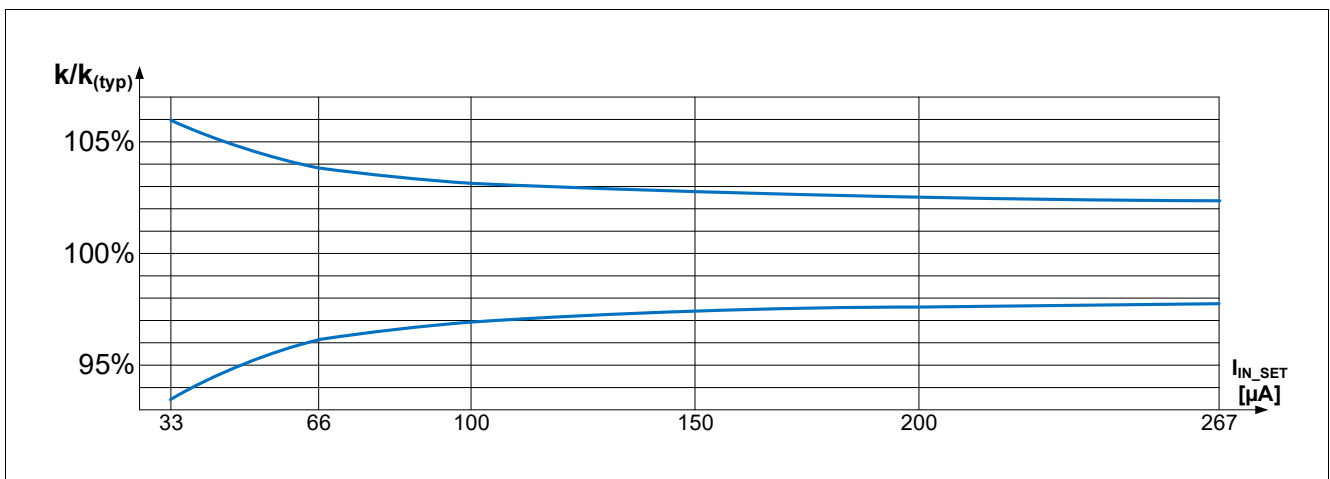
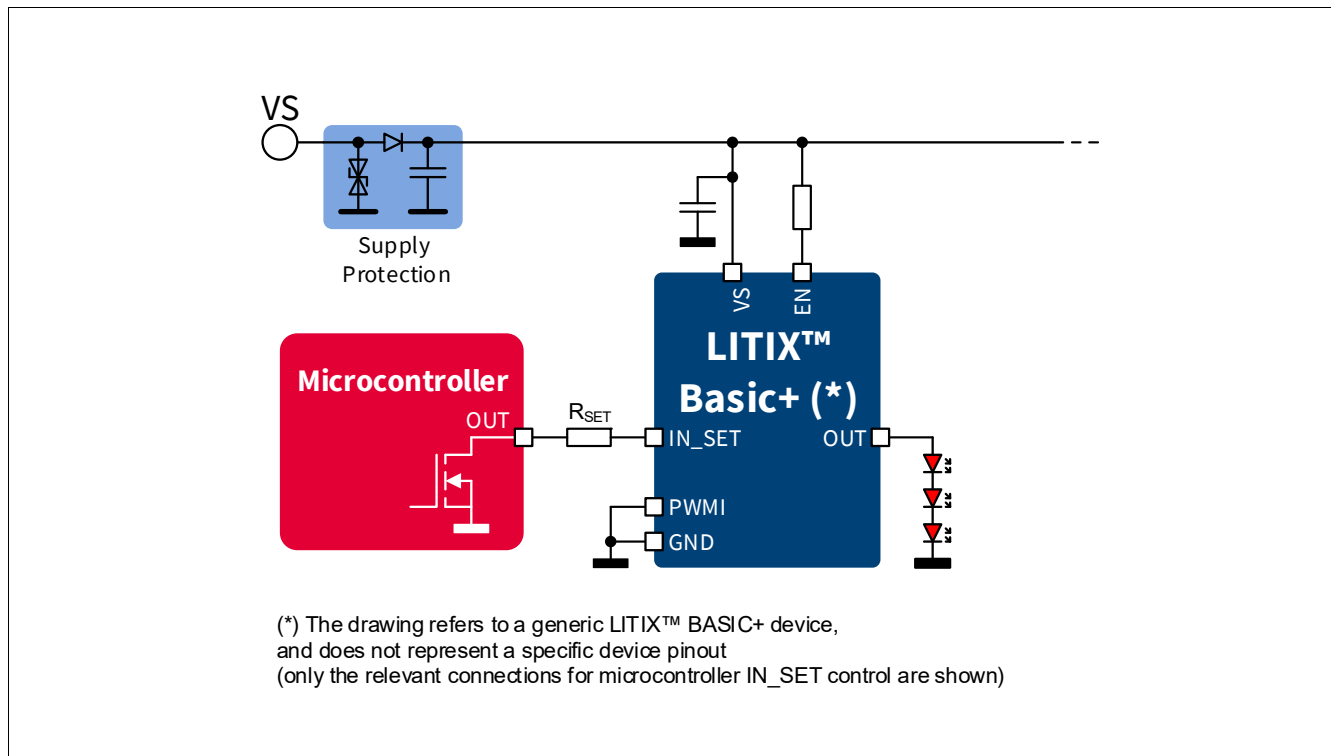


Figure 8 Typical output current accuracy  $I_{OUT} / I_{IN\_SET}$  at  $T_J = 25^\circ\text{C}$

## TLD2331-3EP LITIX™ Basic+

### Power stages



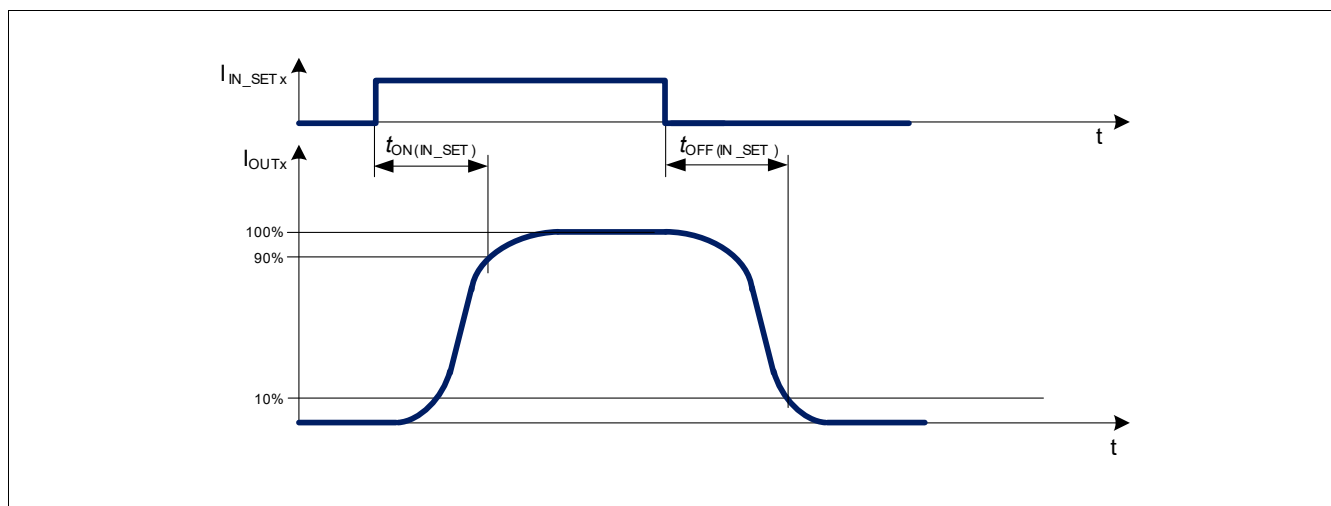
**Figure 9** Output control via IN\_SET pin and open-drain microcontroller out (simplified diagram)

#### 5.2.4 IN\_SETx pins behavior during device fault management

If a fault condition arises on the channel controlled by the IN\_SETx pins, once the D-pin reaches the high level threshold  $V_{D(th)}$ , the current of all the IN\_SETx pins is reduced to  $I_{IN\_SETx(fault)}$ , in order to minimise the current consumption of the whole device under fault condition (detailed description is in the load diagnosis section, [Chapter 6](#)).

#### 5.2.5 Timing diagrams

In the following diagrams ([Figure 10](#), [Figure 11](#)) the influences of different driving inputs on output activation delays are shown.



**Figure 10** IN\_SET turn on and turn off delay timing diagram

## TLD2331-3EP LITIX™ Basic+

### Power stages

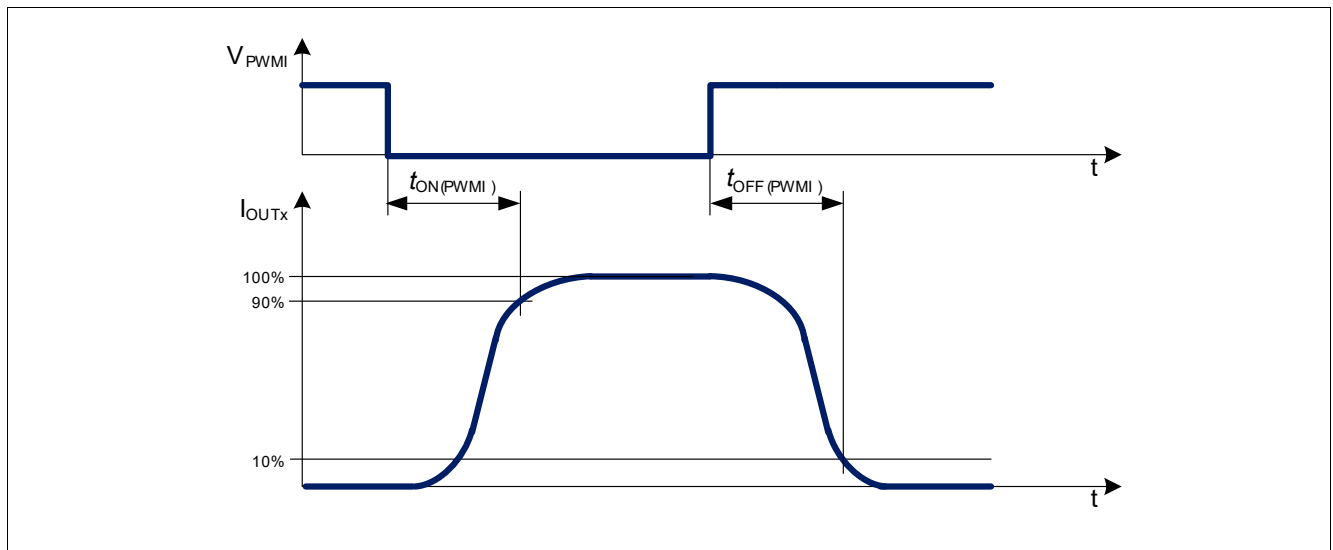


Figure 11 PWMI turn on and turn off timing diagram

**TLD2331-3EP**  
**LITIX™ Basic+**
**Power stages**
**5.3 Electrical characteristics power stage**
**Table 6 Electrical characteristics: Power stage**

$T_J = -40^\circ\text{C}$  to  $+150^\circ\text{C}$ ;  $V_S = 5.5\text{ V}$  to  $18\text{ V}$ ;  $R_{IN\_SETX} = 10\text{ k}\Omega$ ; all voltages with respect to GND, positive current flowing into input and I/O pins, positive current flowing out from output pins (unless otherwise specified)

Parameter	Symbol	Values			Unit	Note or Test Condition	Number
		Min.	Typ.	Max.			
Output leakage currents	$I_{OUTx(Leak)}$	–	–	3	$\mu\text{A}$	<sup>1)</sup> $V_{ENx} = 5.5\text{ V}$ $I_{IN\_SETx} = 0\ \mu\text{A}$ $V_{OUTx} = 2.5\text{ V}$ $T_J = 85^\circ\text{C}$	P_6.5.1
Output leakage currents	$I_{OUTx(Leak)}$	–	–	7	$\mu\text{A}$	<sup>1)</sup> $V_{ENx} = 5.5\text{ V}$ $I_{IN\_SETx} = 0\ \mu\text{A}$ $V_{OUTx} = 2.5\text{ V}$ $T_J = 150^\circ\text{C}$	P_6.5.59
Reverse output currents	$I_{OUTx(rev)}$	–	–	3	$\mu\text{A}$	<sup>1)</sup> $V_{EN} = V_S$ $V_{Sx} = -18\text{ V}$ Output load: LED with break down voltage $< -0.6\text{ V}$	P_6.5.2

**Output current accuracy**

Output current accuracy	$K_{LTx}$	279	300	321	–	<sup>1)</sup> $T_J = 25\dots 115^\circ\text{C}$ $V_S = 8\dots 18\text{ V}$ $V_{PSx} = 2\text{ V}$ $I_{IN\_SETx} = 33\ \mu\text{A}$	P_6.5.30
Output current accuracy	$K_{ALLx}$	267	300	333	–	<sup>1)</sup> $T_J = -40\dots 115^\circ\text{C}$ $V_S = 8\dots 18\text{ V}$ $V_{PSx} = 2\text{ V}$ $I_{IN\_SETx} = 33\ \mu\text{A}$	P_6.5.31
Output current accuracy	$K_{LTx}$	285	300	315	–	<sup>1)</sup> $T_J = 25\dots 115^\circ\text{C}$ $V_S = 8\dots 18\text{ V}$ $V_{PSx} = 2\text{ V}$ $I_{IN\_SETx} = 66\ \mu\text{A}$	P_6.5.32
Output current accuracy	$K_{ALLx}$	279	300	321	–	<sup>1)</sup> $T_J = -40\dots 115^\circ\text{C}$ $V_S = 8\dots 18\text{ V}$ $V_{PSx} = 2\text{ V}$ $I_{IN\_SETx} = 66\ \mu\text{A}$	P_6.5.33
Output current accuracy	$K_{LTx}$	288	300	312	–	<sup>1)</sup> $T_J = 25\dots 115^\circ\text{C}$ $V_S = 8\dots 18\text{ V}$ $V_{PSx} = 2\text{ V}$ $I_{IN\_SETx} = 200\ \mu\text{A}$	P_6.5.34
Output current accuracy	$K_{ALLx}$	285	300	315	–	<sup>1)</sup> $T_J = -40\dots 115^\circ\text{C}$ $V_S = 8\dots 18\text{ V}$ $V_{PSx} = 2\text{ V}$ $I_{IN\_SETx} = 200\ \mu\text{A}$	P_6.5.35

## TLD2331-3EP

### LITIX™ Basic+

#### Power stages

**Table 6 Electrical characteristics: Power stage (cont'd)**

$T_J = -40^\circ\text{C}$  to  $+150^\circ\text{C}$ ;  $V_S = 5.5\text{ V}$  to  $18\text{ V}$ ;  $R_{IN\_SETx} = 10\text{ k}\Omega$ ; all voltages with respect to GND, positive current flowing into input and I/O pins, positive current flowing out from output pins (unless otherwise specified)

Parameter	Symbol	Values			Unit	Note or Test Condition	Number
		Min.	Typ.	Max.			
Required voltage drop during current control $V_{PSx(CC)} = V_S - V_{OUTx}$	$V_{PSx(CC)}$	1.0	–	–	V	<sup>2)</sup> $V_S = 8\dots 18\text{ V}$ $I_{OUTx} > 90\%$ of $K_{x(typ)} * I_{IN\_SETx}$	P_6.5.36
Required voltage drop during current control $V_{PSx(CC)} = V_S - V_{OUTx}$	$V_{PSx(CC)}$	0.65	–	–	V	<sup>2)</sup> $V_S = 8\dots 18\text{ V}$ $I_{IN\_SETx} = 133\ \mu\text{A}$ $I_{OUTx} > 90\%$ of $K_{x(typ)} * I_{IN\_SETx}$ $T_J = -40^\circ\text{C}$	P_6.5.37
Required voltage drop during current control $V_{PSx(CC)} = V_S - V_{OUTx}$	$V_{PSx(CC)}$	0.75	–	–	V	<sup>2)</sup> $V_S = 8\dots 18\text{ V}$ $I_{IN\_SETx} = 133\ \mu\text{A}$ $I_{OUTx} > 90\%$ of $K_{x(typ)} * I_{IN\_SETx}$ $T_J = 25^\circ\text{C}$	P_6.5.38
Required voltage drop during current control $V_{PSx(CC)} = V_S - V_{OUTx}$	$V_{PSx(CC)}$	0.85	–	–	V	<sup>2)</sup> $V_S = 8\dots 18\text{ V}$ $I_{IN\_SETx} = 133\ \mu\text{A}$ $I_{OUTx} > 90\%$ of $K_{x(typ)} * I_{IN\_SETx}$ $T_J = 150^\circ\text{C}$	P_6.5.39
Required supply voltage for current control	$V_{S(CC)}$	5.5	–	–	V	$V_{EN} = 5.5\text{ V}$ $V_{OUTx} = 3\text{ V}$ $R_{IN\_SETx} = 6.8\text{ k}\Omega$ $I_{OUTx} > 90\%$ of $K_x * I_{IN\_SETx}$	P_6.5.40
Required output voltage for current control	$V_{OUTx(CC)}$	1.4	–	–	V	$V_S = 8\dots 18\text{ V}$ $I_{OUTx} > 90\%$ of $K_x * I_{IN\_SETx}$	P_6.5.41
Current reduction temperature threshold	$T_{J(CRT)}$	–	140	–	$^\circ\text{C}$	<sup>1)</sup>	P_6.5.44
Output current during current reduction at high temperature	$I_{OUT(CRT)}$	85% of $I_{OUT(typ)}$	–	–	mA	<sup>1)</sup> $T_J = 150^\circ\text{C}$	P_6.5.45

1) Not subjected to production test: specified by design

2) In these test conditions, the parameter  $K_{(typ)}$  represents the typical value of output current accuracy.

## TLD2331-3EP

### LITIX™ Basic+

#### Power stages

## 5.4 Electrical characteristics IN\_SETx and PWMI pins for output settings

**Table 7 Electrical characteristics: IN\_SETx and PWMI pins**

$T_J = -40^\circ\text{C}$  to  $+150^\circ\text{C}$ ;  $V_S = 5.5\text{ V}$  to  $18\text{ V}$ ;  $R_{IN\_SETx} = 10\text{ k}\Omega$ ; all voltages with respect to GND, positive current flowing into input and I/O pins, positive current flowing out from output pins (unless otherwise specified)

Parameter	Symbol	Values			Unit	Note or Test Condition	Number
		Min.	Typ.	Max.			
IN_SETx reference voltage	$V_{IN\_SETx(ref)}$	1.195	1.22	1.245	V	<sup>1)</sup> $V_{EN} = 5.5\text{ V}$ $T_J = 25^\circ\text{C}$	P_6.6.1
IN_SETx reference voltage	$V_{IN\_SETx(ref)}$	1.184	1.22	1.256	V	<sup>1)</sup> $V_{EN} = 5.5\text{ V}$ $T_J = -40\dots 115^\circ\text{C}$	P_6.6.17
IN_SETx output activation current	$I_{IN\_SETx(ACT)}$	–	–	15	$\mu\text{A}$	$V_{EN} = 5.5\text{ V}$ $V_{PSx} = 3\text{ V}$ $I_{OUTx} > 50\%$ of $K_x(t_{yp}) * I_{IN\_SETx}$	P_6.6.2
PWMI low threshold	$V_{PWMI(L)}$	1.5	1.7	2	V	$V_S = 8\text{ V}$ to $18\text{ V}$ $V_{EN} = 5.5\text{ V}$	P_6.6.6
PWMI high threshold	$V_{PWMI(H)}$	2.5	2.7	3	V	$V_S = 8\text{ V}$ to $18\text{ V}$ $V_{EN} = 5.5\text{ V}$	P_6.6.7

#### Timing

IN_SETx turn on time	$t_{ON(IN\_SETx)}$	–	–	20	$\mu\text{s}$	<sup>1)2)</sup> $V_S = 13.5\text{ V}$ $V_{PSx} = 4\text{ V}$ $I_{IN\_SETx}$ rising from 0 to $180\text{ }\mu\text{A}$ $I_{OUTx} = 90\%$ of $K_x * I_{IN\_SETx}$	P_6.6.8
IN_SETx turn off time	$t_{OFF(IN\_SETx)}$	–	–	10	$\mu\text{s}$	<sup>1)2)</sup> $V_S = 13.5\text{ V}$ $V_{PSx} = 4\text{ V}$ $I_{IN\_SETx}$ falling from $180$ to $0\text{ }\mu\text{A}$ $I_{OUTx} = 10\%$ of $K_x * I_{IN\_SETx}$	P_6.6.9
PWMI turn on time	$t_{ON(PWMI)}$	–	–	15	$\mu\text{s}$	<sup>1)3)</sup> $V_S = 8\text{ V}$ to $18\text{ V}$ $V_{EN} = 5.5\text{ V}$ $V_{PWMI}$ falling from $5\text{ V}$ to $0\text{ V}$ $I_{OUTx} = 90\%$ of $K_x * I_{IN\_SETx}$ $T_J = -40\dots 115^\circ\text{C}$	P_6.6.12
PWMI turn off time	$t_{OFF(PWMI)}$	–	–	10	$\mu\text{s}$	<sup>1)3)</sup> $V_S = 8\text{ V}$ to $18\text{ V}$ $V_{EN} = 5.5\text{ V}$ $V_{PWMI} = 0$ rising from $0\text{ V}$ to $5\text{ V}$ $I_{OUTx} = 10\%$ of $K_x * I_{IN\_SETx}$ $T_J = -40\dots 115^\circ\text{C}$	P_6.6.13



## **TLD2331-3EP**

### **LITIX™ Basic+**

---

#### **Power stages**

- 1) Not subjected to production test: specified by design
- 2) Refer to [Figure 10](#)
- 3) Refer to [Figure 11](#)



## TLD2331-3EP

### LITIX™ Basic+

#### Load diagnosis

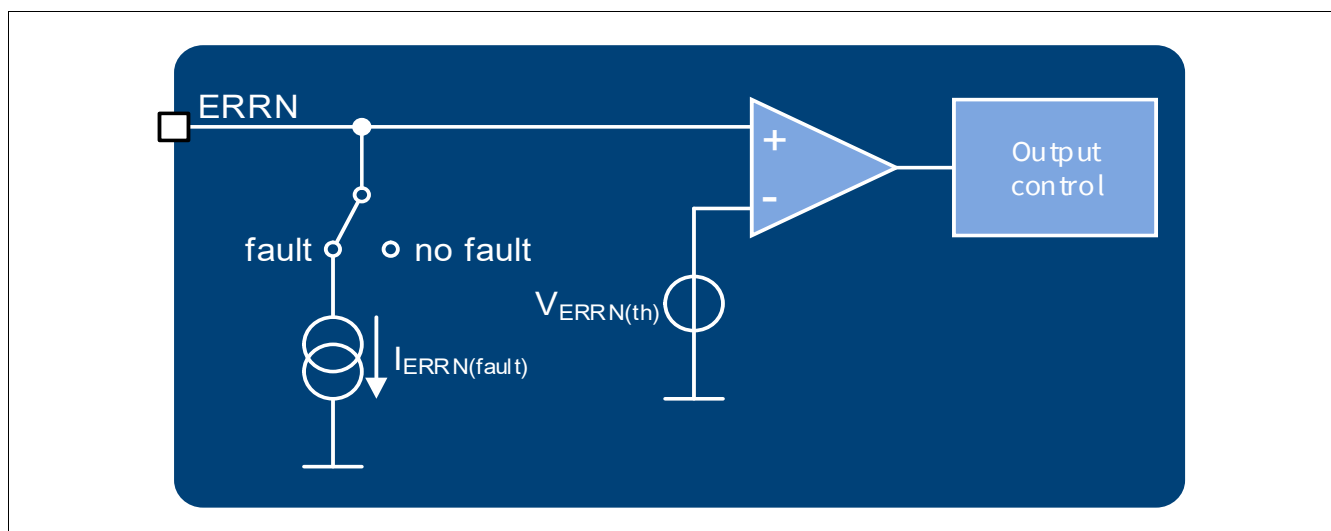
## 6 Load diagnosis

### 6.1 Error management via ERRN and D-pins

Several diagnosis features are integrated in the TLD2331-3EP:

- Open load detection (OL) for any of the output channels OUTx.
- Short circuit OUTx-GND (SC) for any of the output channels OUTx.
- Single LED Short detection (SLS).

#### 6.1.1 ERRN pin

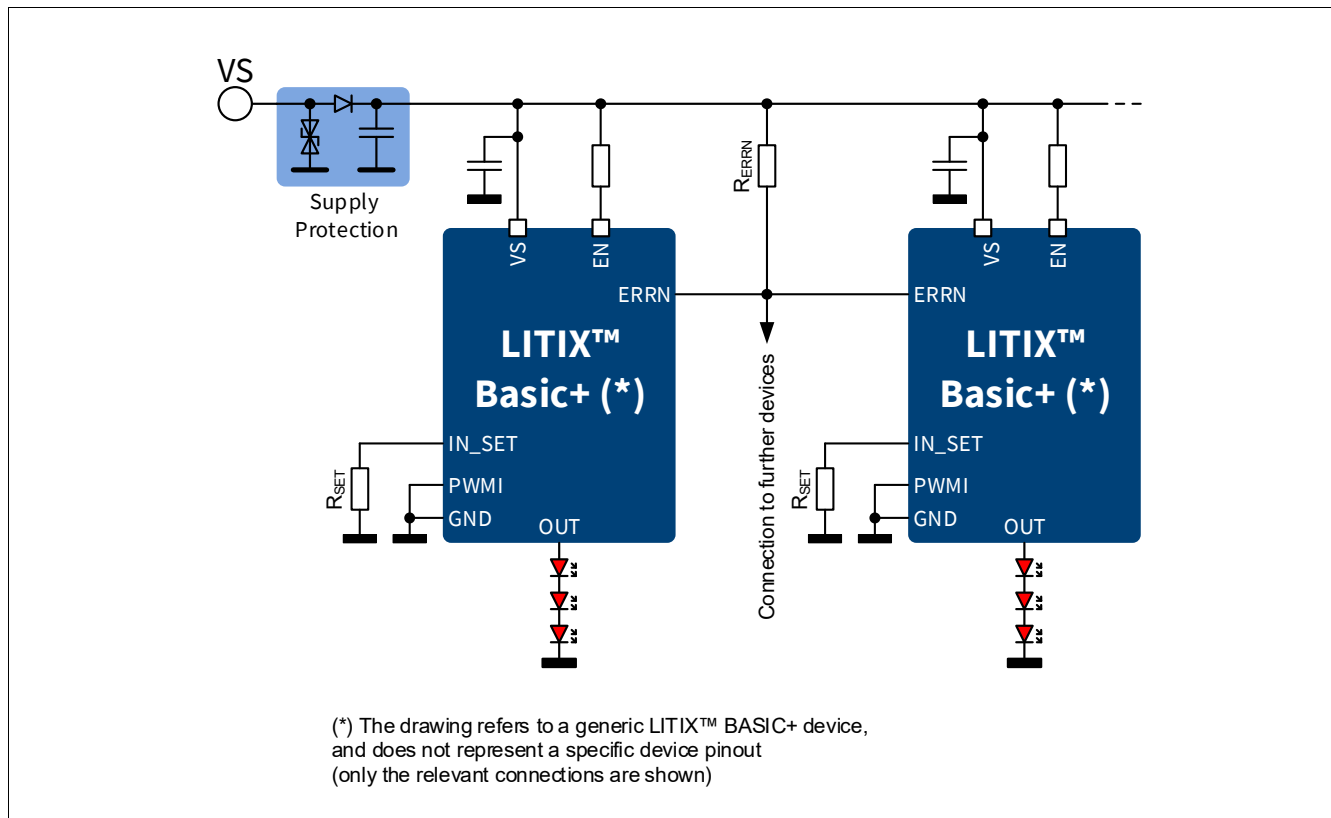


**Figure 12 ERRN pin (block diagram)**

The device is able to report a detected failure in one of its driven loads and react to a fault detected by another LED driver in the system if a shared error network is implemented (i. e. driving LED chains of the same light function). This is possible with the usage of an external pull-up resistor, allowing multiple devices to share the open drain diagnosis output pin ERRN. All devices sharing the common error network are capable to detect the fault from any of the channels driven by the LITIX™ Basic+ LED drivers and, if desired, to switch multiple loads off.

## TLD2331-3EP LITIX™ Basic+

### Load diagnosis



**Figure 13 Shared error network principle between LITIX™ Basic+ family devices**

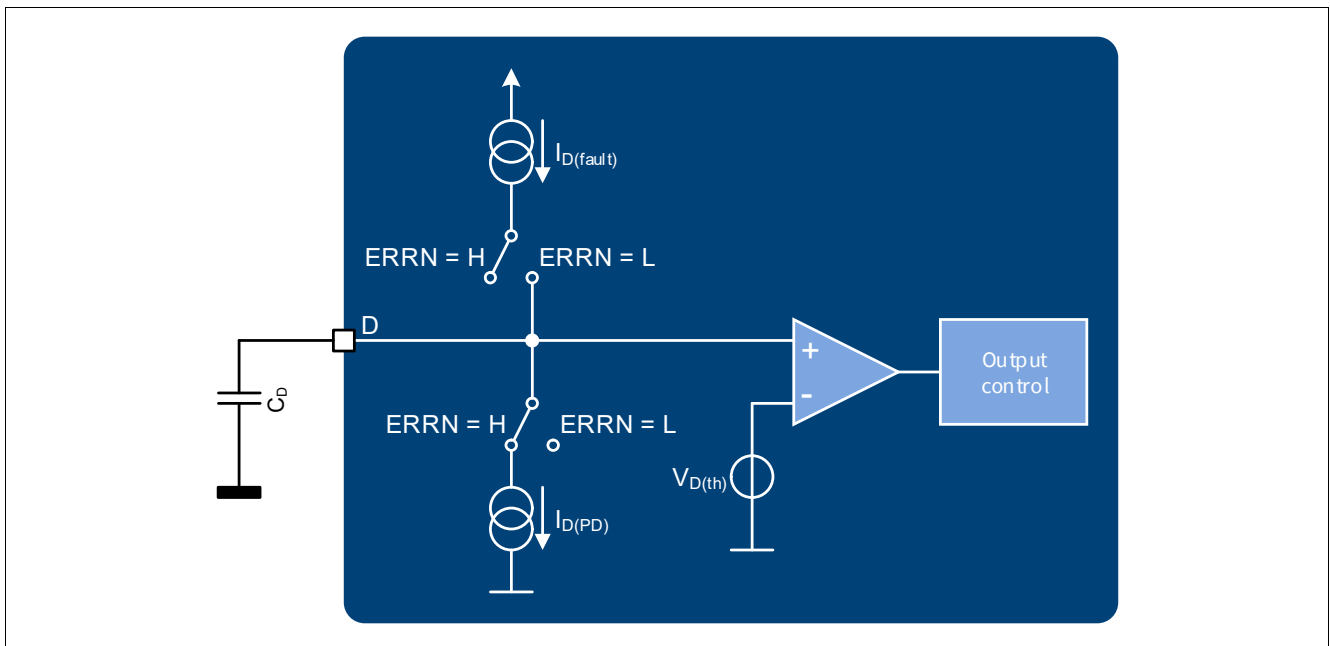
When one of the channels is detected to be under fault conditions (for, at least, a filter time  $t_{\text{fault}}$ ), the open-drain ERRN pin sinks a pull-down current  $I_{\text{ERRN(fault)}}$  toward GND. Therefore an active low state can be detected at ERRN pin when  $V_{\text{ERRN}} < V_{\text{ERRN(fault)}}$  and if this condition is reached, provided the proper setup of the delay pin D, all the channels are switched off. Similarly, when the fault is removed, ERRN pin is put back in high impedance state, and the channels reactivation procedure can be completed once D-pin voltage is below the value  $V_{\text{D(th)}}$ , as illustrated in the timing diagrams in this chapter.

## TLD2331-3EP

### LITIX™ Basic+

#### Load diagnosis

#### 6.1.2 D-pin



**Figure 14** D-pin (block diagram).

The D-pin is designed for 2 main purposes:

- To react to error conditions in LED arrays according to the implemented fault management policy, in systems where multiple LED chains are used for a given light function.
- To extend the channels deactivation delay time of a value  $t_D$ , adding a small signal capacitor from the D-pin to GND. In this way, an unstable or noisy fault condition may be prevented from switching off all the channels of a given light function (i.e. driven by several driver ICs sharing the same error network).

The functionality of the D-pin is shown in the **Figure 14** simplified block diagram:

If one LED within one chain fails in open load condition or one of the device outputs are shorted to GND, the respective LED chain is off. Different automotive applications require a complete deactivation of a light function, if the desired brightness of the function (LED array) can not be achieved due to an internal error condition.

In normal operative status (no fault) a pull-down current  $I_{D(PD)}$  is sunk from the D-pin to GND. If there is a fault condition (for, at least, a filter time  $t_{fault}$ ) in one of the LED channels driven by the IC or in any of the devices sharing the same ERRN error network line, a pull-up current  $I_{D(fault)}$  is instead sourced from the D-pin. As a consequence, if a capacitive or open load is applied at this pin, its voltage starts rising.

When  $V_{D(th)}$  is reached at D-pin, all the channels driven by the device are switched off and if other devices share the same ERRN and D-pins nodes, all the devices turn their outputs off.

Alternatively, if the D-pin is tied to GND, only the channel that has been detected with a fault is safely deactivated.

## TLD2331-3EP

### LITIX™ Basic+

#### Load diagnosis

The capacitor value used at the D-pin,  $C_D$ , sets the delay times  $t_{D(\text{set/reset})}$  according to the following equations:

$$t_{D(\text{set})} = \frac{C_D \cdot V_{D(\text{th})}}{I_{D(\text{fault})}} \quad (6.1)$$

$$t_{D(\text{reset})} = \frac{C_D \cdot (V_{D(\text{CL})} - V_{D(\text{th})})}{I_{D(\text{PD})}} \quad (6.2)$$

*Note:* If the device detects a Single LED Short failure, the D-pin behavior and the overall fault management is slightly different (allows periodical retries with load reactivation, according to DS pin settings too), as described in [Chapter 6.3](#).

## 6.2 Open Load (OL) and short OUTx to GND (SC)

The behavior of the device during overload conditions that lead to an excess of internal heating up to overtemperature condition, is already described in [Chapter 5](#).

Open load (OL) and OUTx shorted to GND (SC) diagnosis features are also integrated in the TLD2331-3EP.

An open load condition is detected if the voltage drop over one of the output stages  $V_{\text{PSx}}$  is below the threshold  $V_{\text{PSx(OL)}}$  at least for a filter time  $t_{\text{fault}}$ .

A short to GND condition is detected if the voltage of one output stages  $V_{\text{OUTx}}$  is below the threshold  $V_{\text{OUTx(SC)}}$  at least for a filter time  $t_{\text{fault}}$ .

### 6.2.1 Fault management (D-pin open or connected with a capacitor to GND)

With D-pin open or connected with a capacitor to GND configuration, it is possible to switch off all the channels which share a common error network, without the need of an auxiliary microcontroller. For more details refer also to the timing diagram of [Figure 15](#), [Figure 16](#).

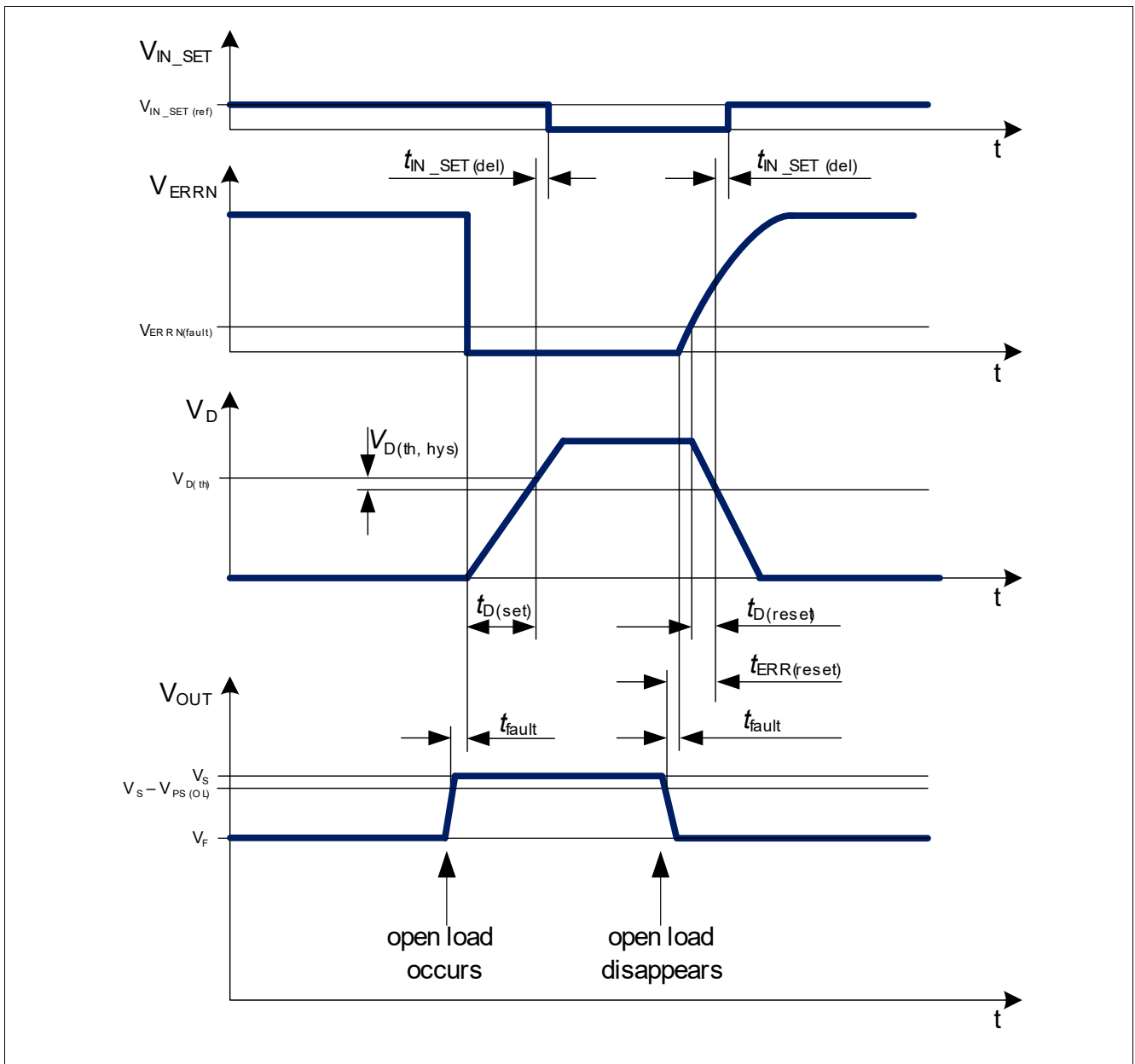
If there is an OL or SC condition on one of the outputs, a pull-up current  $I_{\text{OUT(fault)}}$  then flows out from the affected channel, replacing the configured output current (but limited by the actual load impedance, e.g. reduced to zero with an ideal open load). Under these conditions, the ERRN pin starts sinking a current  $I_{\text{ERRN(fault)}}$  toward GND and (with proper dimensioning of the external pull-up resistor) reaches a voltage level below  $V_{\text{ERRN(fault)}}$ .

After  $t_{D(\text{set})}$ , the voltage  $V_{D(\text{th})}$  is reached at D-pin, the IN\_SETx goes in a weak pull-down state with a current consumption  $I_{\text{IN\_SETx(fault)}}$  after an additional latency time  $t_{\text{IN\_SETx(del)}}$ . The ERRN low voltage can also be used as input signal for a microcontroller to perform the desired diagnosis policy.

The OL and SC error conditions are not latched: as soon as the fault condition is no longer present (at least for a filter time  $t_{\text{fault}}$ ) ERRN goes back to high impedance. When its voltage is above  $V_{\text{ERRN(fault)}}$ , the D-pin voltage starts decreasing and after  $t_{D(\text{reset})}$  goes below  $(V_{D(\text{th})} - V_{D(\text{th,hys})})$ . Then the IN\_SETx voltages go up to  $V_{\text{IN\_SETx(ref)}}$ , again after a time  $t_{\text{IN\_SETx(del)}}$ : at this point, the output stages are activated again. The total time between the fault removal and the IN\_SET reactivation  $t_{\text{ERR(reset)}}$  is extended by an additional latency which depends on the external ERRN pin pull-up and filter circuitry.

## TLD2331-3EP LITIX™ Basic+

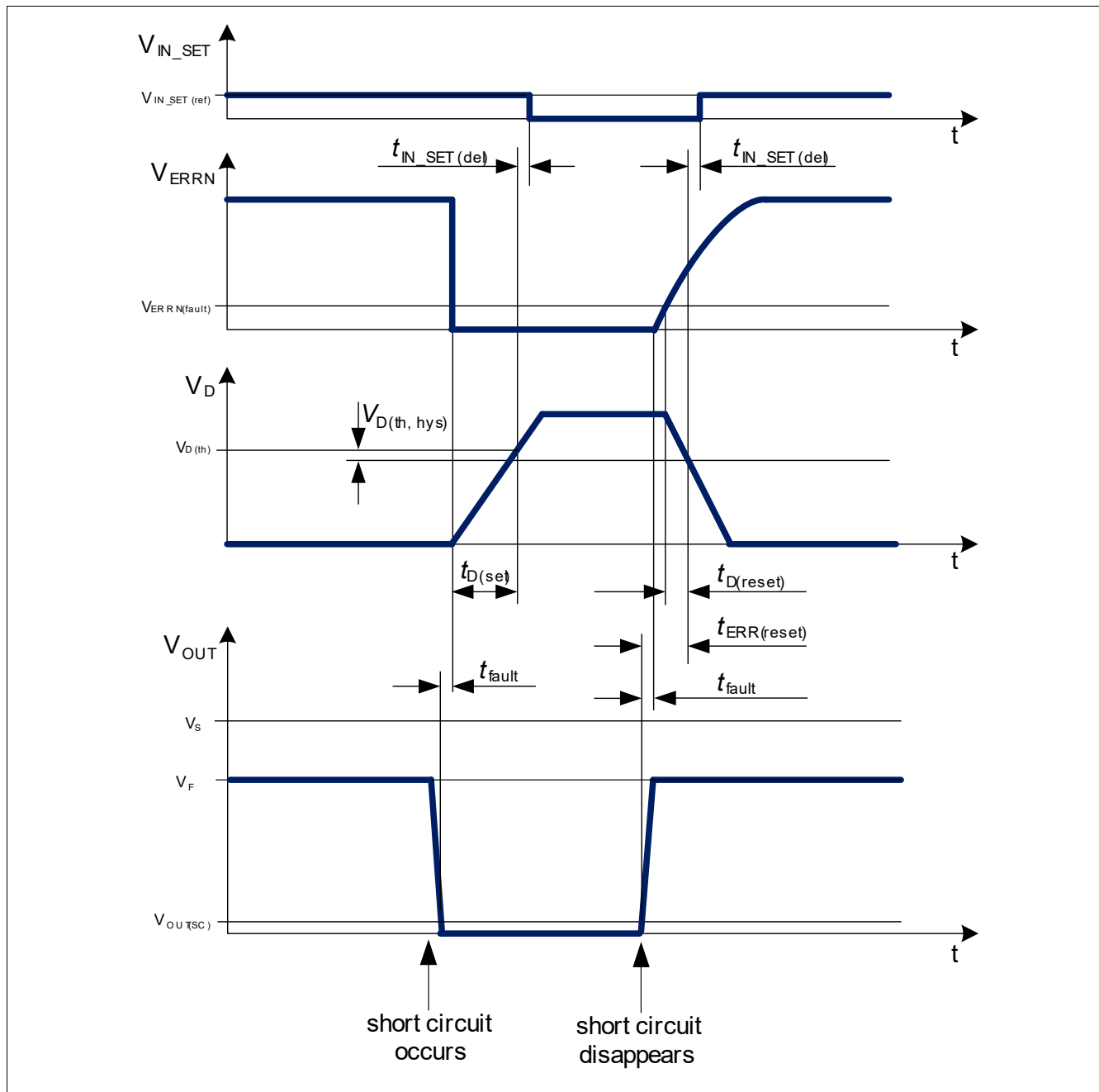
### Load diagnosis



**Figure 15** Open load condition timing diagram example (D-pin unconnected or connected to external capacitor to GND,  $V_F$  represents the typical forward voltage of the output load)

## TLD2331-3EP LITIX™ Basic+

### Load diagnosis



**Figure 16** Short circuit to GND condition timing diagram example (D-pin not connected or connected to external capacitor to GND,  $V_{Fxyz}$  represents the forward voltage of the output loads)

### 6.2.2 Fault management (D-pin connected to GND)

With D-pin connected to GND configuration, it is possible to deactivate only the channel under fault conditions, still sharing ERRN pin in a common error network with other devices of LITIX™ Basic+ family.

If there is fault condition on one of the outputs, a pull-up current  $I_{OUT(fault)}$  flows out from the affected channel, replacing the configured output current (but limited by the actual load impedance, e.g. reduced to zero with an ideal open load). Under fault conditions the ERRN pin starts sinking a current  $I_{ERRN(fault)}$  to ground and the voltage level on this pin will drop below  $V_{ERRN(fault)}$  if the external pull-up resistor is properly dimensioned. The ERRN low voltage can also be used as input signal for a  $\mu C$  to perform the desired diagnosis policy.

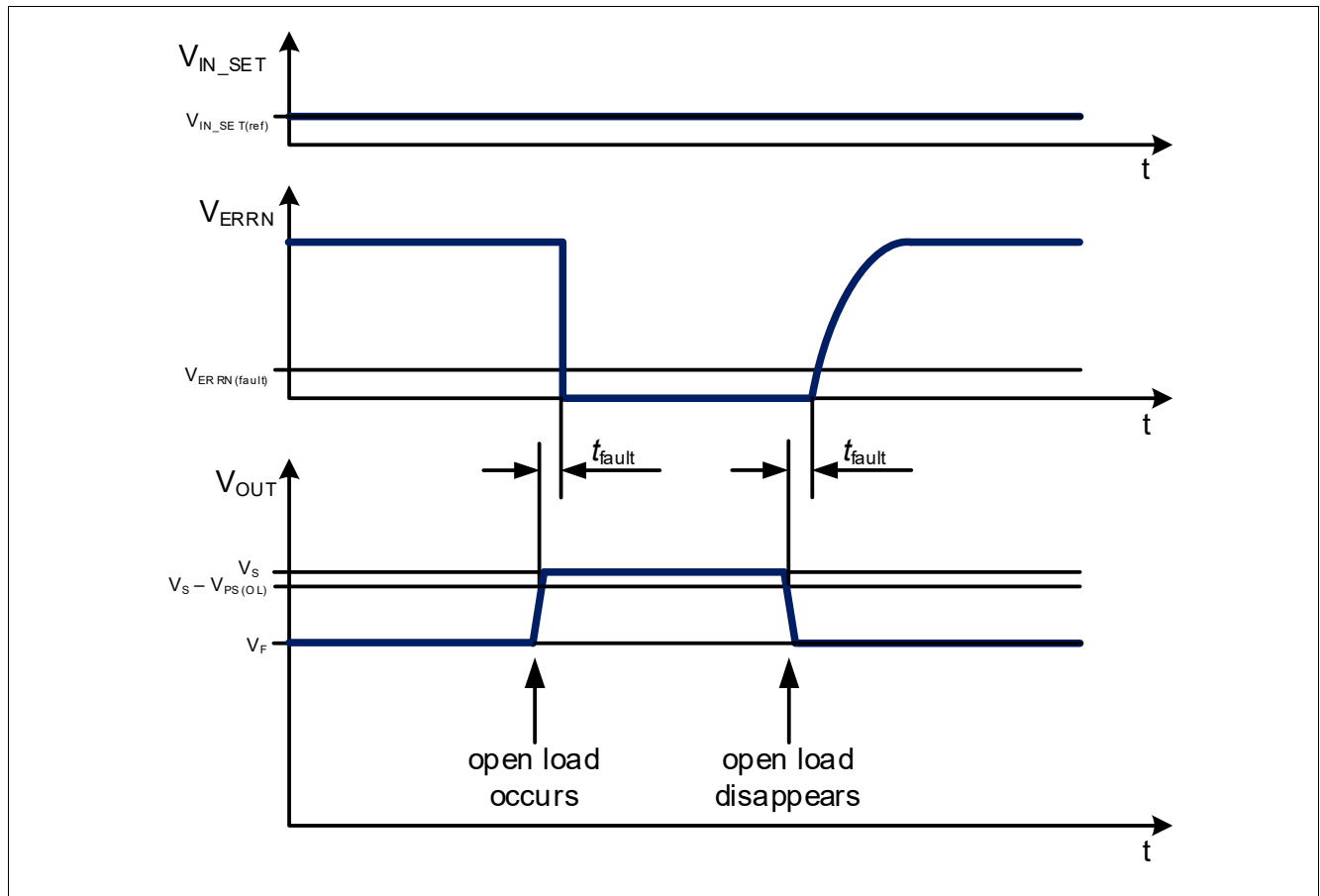
## TLD2331-3EP

### LITIX™ Basic+

#### Load diagnosis

The fault status is not latched: as soon as the fault condition is no longer present (at least for a filter time  $t_{\text{fault}}$ ), ERRN goes back to high impedance and, once its voltage is above  $V_{\text{ERRN(fault)}}$ , finally the output stages are activated again.

Examples of open load or short to GND diagnosis with D-pin open or connected to GND are shown in the timing diagrams of [Figure 17](#) and [Figure 18](#).

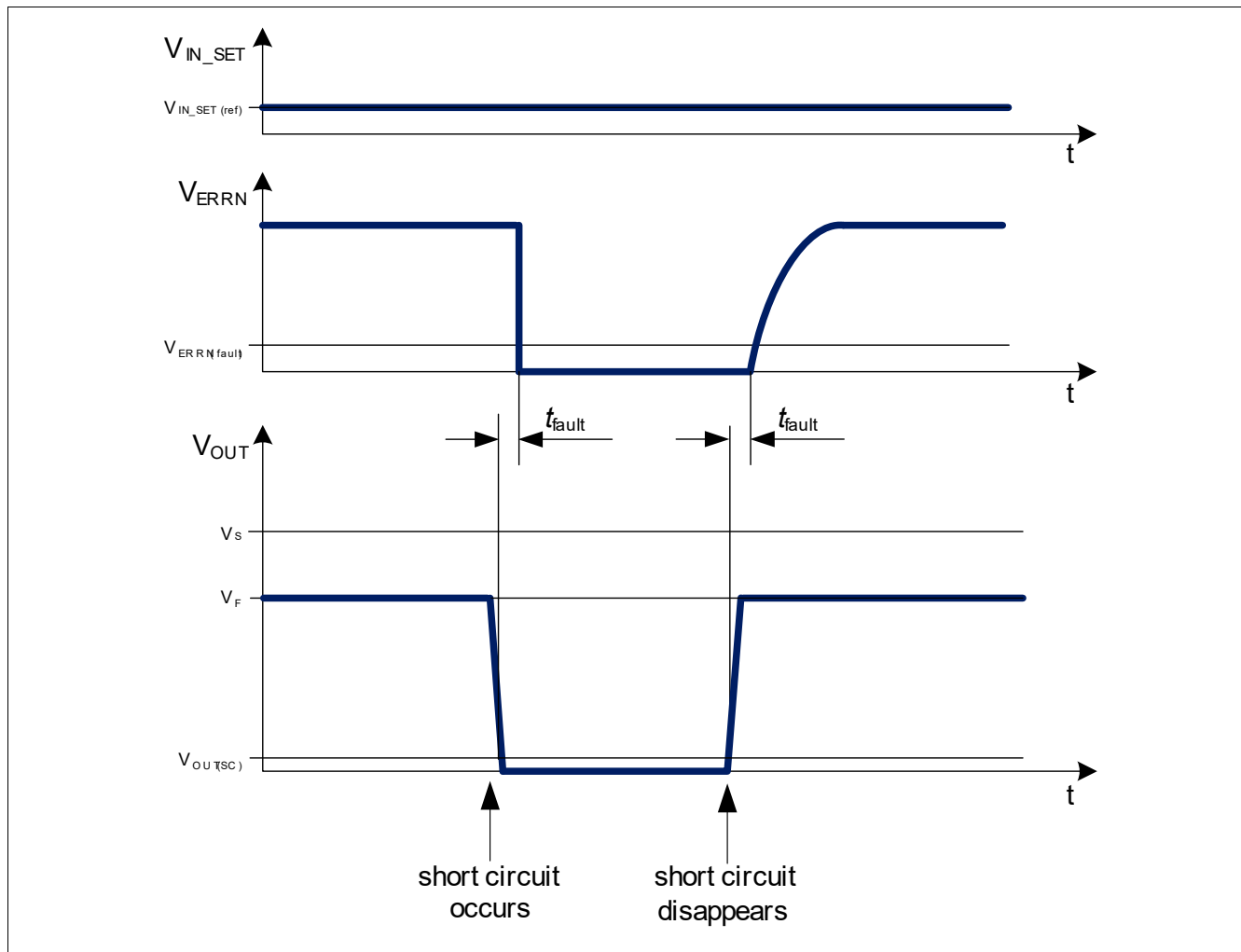


**Figure 17** Open load condition timing diagram example (D-pin connected to GND,  $V_F$  represents the forward voltage of the output load)

## TLD2331-3EP

### LITIX™ Basic+

#### Load diagnosis



**Figure 18** Short circuit condition timing diagram example (D-pin connected to GND,  $V_F$  represents the forward voltage of the output load)

### 6.3 Single LED Short detection, SLS\_REF and DS pins

An output single LED short circuit (SLS) detection diagnosis feature is available. This allows an easy detection of loss of luminous flux in the light function due to this failure mode, which does not necessarily result in a condition similar or equivalent to an open load or short to GND condition. To make the SLS error management compliant with the majority of system requirements, the TLD2331-3EP allows the possibility to manage a low current consumption mode with a load reactivation and retry strategy (via D and DS pins connected to external capacitors), or with error detection via ERRN pin monitoring (with D-pin shorted to GND).

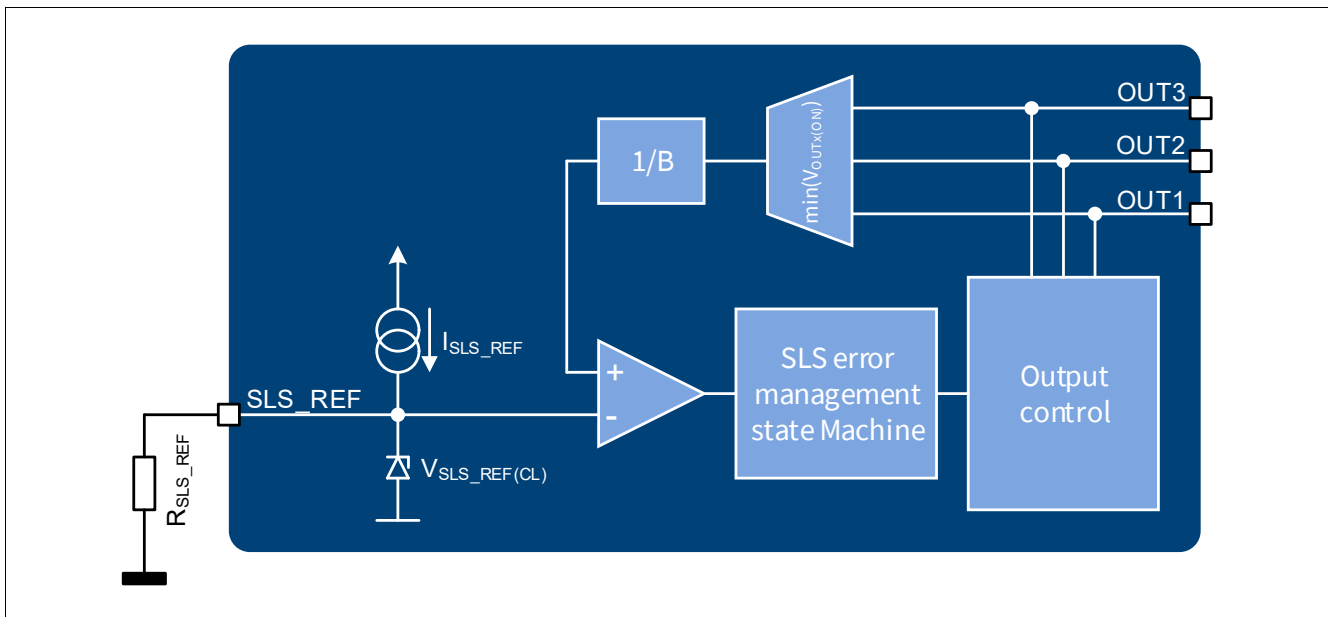


## TLD2331-3EP

### LITIX™ Basic+

#### Load diagnosis

##### 6.3.1 SLS\_REF pin



**Figure 19 SLS\_REF pin (block diagram) with resistor termination**

The SLS\_REF pin is designed to generate an accurate and tunable reference voltage to allow reliable detection of SLS failure.

This reference can be programmed to adapt the SLS detection to the load related variables (as number of LED in series, load currents, LED forward voltages fluctuation and mismatches, etc.).

The pin provides an accurate reference current  $I_{SLS\_REF}$  (a replica of  $I_{IN\_SET2}$ ) which can be used to generate the desired reference voltage with an external low cost precision resistor. The voltage  $V_{SLS\_REF}$  is then internally compared with a fraction of the OUT voltage: if the OUT voltage is below the minimum expected value, then the SLS error management starts (see [Chapter 6.3.3](#) for more detailed description and reference formulas).

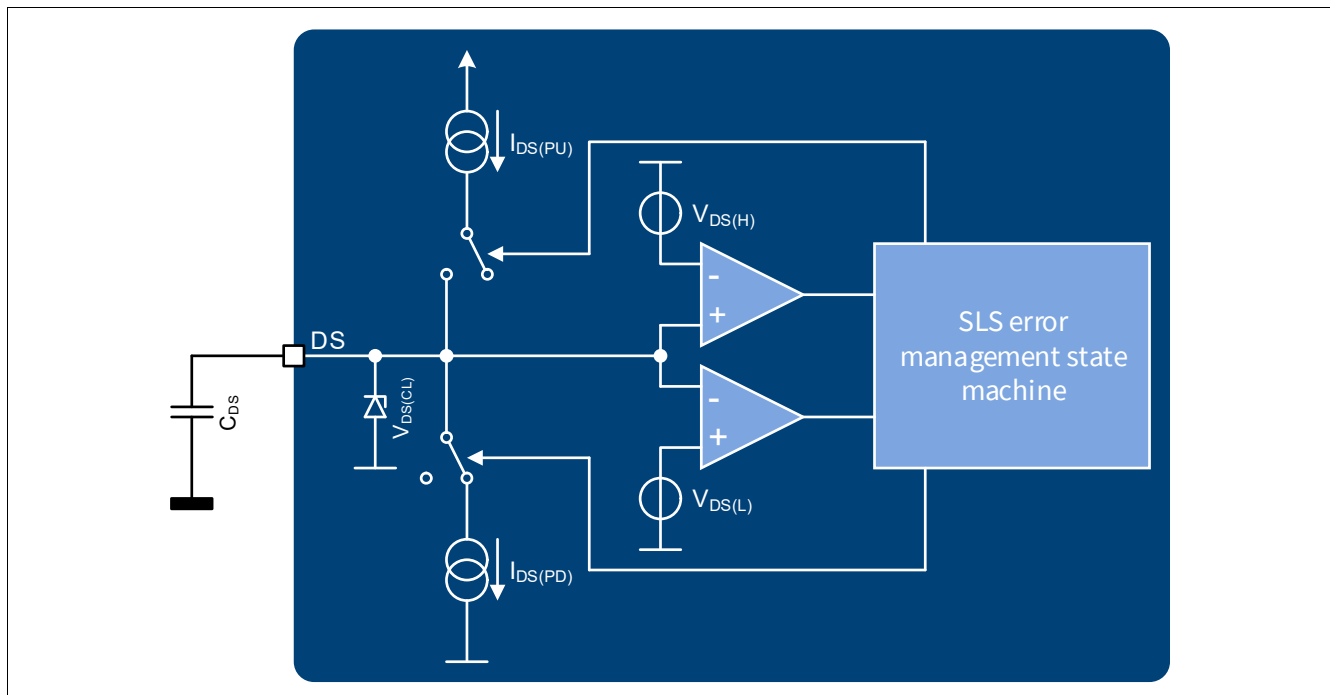
[Figure 19](#) shows the basic block diagram of SLS\_REF pin.

## TLD2331-3EP

### LITIX™ Basic+

#### Load diagnosis

### 6.3.2 DS pin



**Figure 20 DS pin (block diagram)**

The DS pin is used to implement a timer function which allows load reactivation retries during SLS failure.

By default, when no SLS fault is detected, a pull-down current  $I_{DS(PD)}$  is sunk from the DS pin to GND. If a SLS fault condition is verified, a capacitor on DS pin allows fault management with minimal current consumption of the device for a time which depends on the capacitive load applied, according to the detailed description of [Chapter 6.3.4](#).

### 6.3.3 SLS fault detection

A single LED anode-cathode short circuit condition is detected if the lowest voltage between OUT1, OUT2 and OUT3 is below a fixed multiple  $B_{SLS}$  of the voltage at SLS\_REF pin, according to [Equation \(6.3\)](#). The voltage  $V_{SLS\_REF}$  can be adjusted applying a resistor from SLS\_REF to GND, according to [Equation \(6.4\)](#) and the parameter  $K_{SLS\_REF}$  (P\_7.5.13).

$$\min(V_{OUT1}, V_{OUT2}, V_{OUT3}) \leq B_{SLS} \cdot V_{SLS\_REF} \quad (6.3)$$

$$V_{SLS\_REF} = I_{SLS\_REF} \cdot R_{SLS\_REF} \quad (6.4)$$

### 6.3.4 SLS fault management: D and DS pins open or connected with capacitors to GND (low power consumption mode with retry strategy)

Under this pin configuration, as described in the title of this chapter, if there is an SLS condition the outputs are turned off when the voltage level  $V_{D(th)}$  is reached at D-pin.

Under fault condition the ERRN pin starts sinking a current  $I_{ERRN(fault)}$  to ground and the voltage level on this pin will drop below  $V_{ERRN(fault)}$  if the external pull-up resistor is properly dimensioned. After  $t_{D(set)}$ , the voltage  $V_{D(th)}$  is reached at D-pin and the IN\_SETx pins go into a weak pull-down state with a current consumption  $I_{IN\_SETx(fault)}$  after an additional latency time  $t_{IN\_SETx(del)}$ .

## TLD2331-3EP

### LITIX™ Basic+

#### Load diagnosis

Then (differently from the management of OL and SC detection) the voltage at DS pin also starts rising with a pull-up current  $I_{DS(PU)}$ , until it reaches the threshold  $V_{DS(H)}$ , when it starts discharging with the current  $I_{DS(PD)}$ . Now the DS voltage can cross the lower voltage threshold  $V_{DS(L)}$ : at this time a full wait time cycle  $t_{SL\_WAIT}$  is completed and the device performs a load reactivation retry, turning the output currents back on. If the SLS fault condition persists, a new  $t_{SL\_WAIT}$  cycle is started. If at the end of one wait cycle the fault is not detected anymore, the device goes back to normal operation. The dimensioning of typical  $t_{SL\_WAIT}$  is ruled by the following equations.

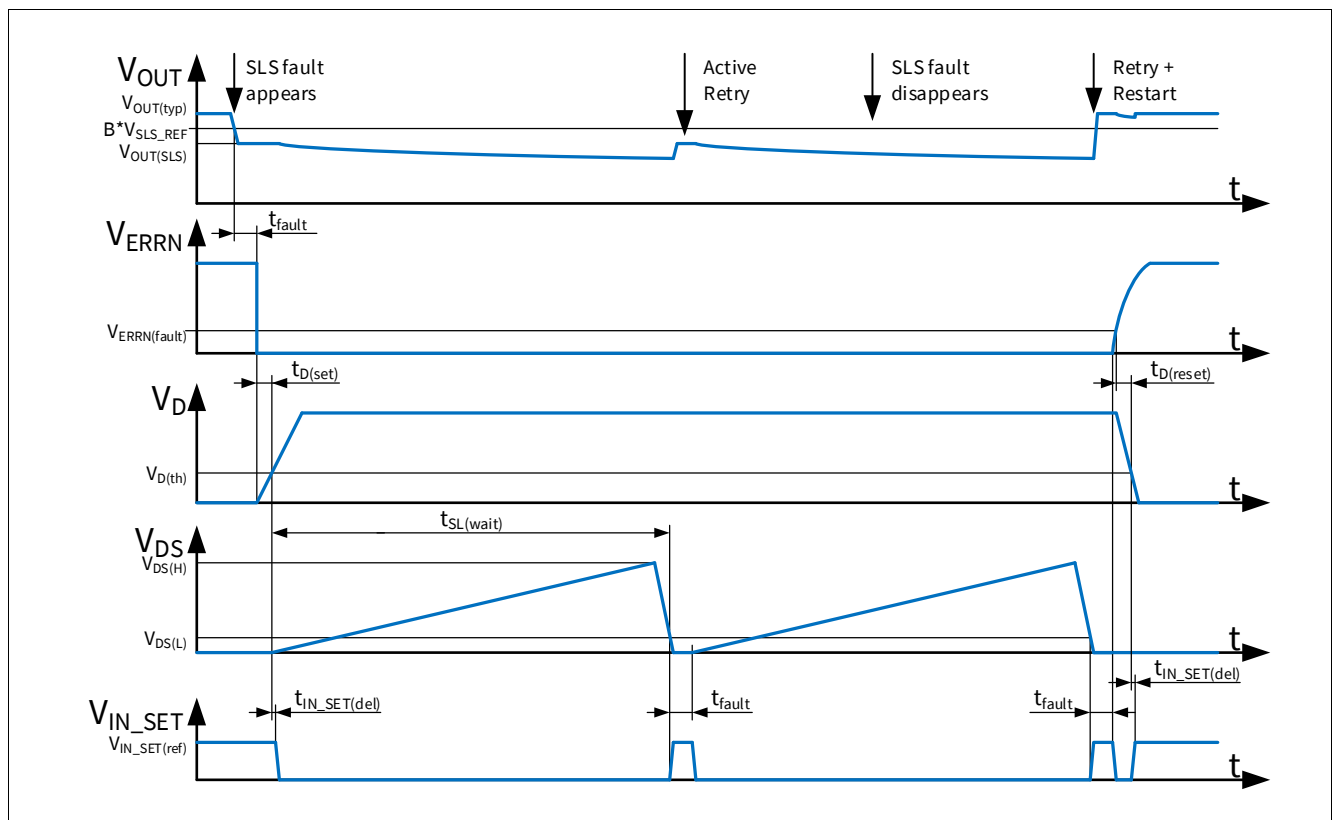
$$t_{DS(rise)} = \frac{C_{DS} \cdot V_{DS(H)}}{I_{DS(PU)}} \quad (6.5)$$

$$t_{DS(fall)} = \frac{C_{DS} \cdot (V_{DS(H)} - V_{DS(L)})}{I_{DS(PD)}} \approx \frac{C_{DS} \cdot V_{DS(H)}}{I_{DS(PD)}} \quad (6.6)$$

$$t_{SL(wait)} = t_{DS(rise)} + t_{DS(fall)} + t_{IN\_SET(del)} \approx t_{DS(rise)} \quad (6.7)$$

A graphical description is shown in the timing diagram example of **Figure 21**.

With this error management algorithm, it is possible to detect the SLS fault monitoring the device consumption from the VS line, which remains as low as  $I_{S(fault)}$  during the whole wait cycle.



**Figure 21** Single LED short condition timing diagram example (D pin not connected or connected to external capacitor to GND)

#### 6.3.5 SLS fault management: D-pin shorted to GND

Under D-pin shorted to GND configuration, the output affected by a single LED short fault is not turned off, different from an open load or short circuit to GND fault condition. The potential on the IN\_SETx pins remains

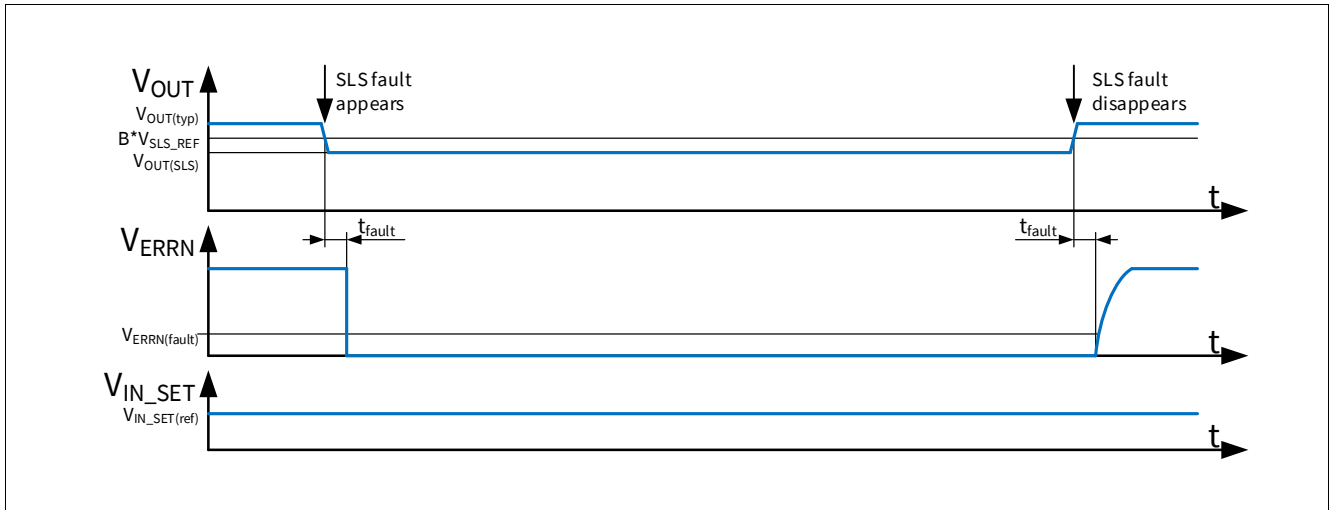
## TLD2331-3EP

### LITIX™ Basic+

#### Load diagnosis

$V_{IN\_SETx(ref)}$ , the ERRN pin starts sinking a current  $I_{ERRN(fault)}$  toward GND. Again, the resulting ERRN low voltage can be used as input signal for a microcontroller to perform the desired diagnosis policy. Also the SLS status is not latched: as soon as the fault condition is no longer present (at least for a filter time  $t_{fault}$ ) ERRN goes back to high impedance.

An examples of this SLS diagnosis condition is shown in the timing diagrams of **Figure 22**.



**Figure 22** Single LED short condition timing diagram example (D pin shorted to GND)

## 6.4 Electrical characteristics: Load diagnosis and Overload management

**Table 8** Electrical Characteristics: Fault management

$T_J = -40^{\circ}\text{C}$  to  $+150^{\circ}\text{C}$ ;  $V_S = 5.5\text{ V}$  to  $18\text{ V}$ ;  $R_{IN\_SETx} = 10\text{ k}\Omega$ ; all voltages with respect to GND, positive current flowing into input and I/O pins, positive current flowing out from output pins (unless otherwise specified)

Parameter	Symbol	Values			Unit	Note or Test Condition	Number
		Min.	Typ.	Max.			
IN_SET fault current	$I_{IN\_SETx(fault)}$	–	–	10	$\mu\text{A}$	<sup>1)</sup> $V_S > 8\text{ V}$ $V_{OUTx} = 3.6\text{ V}$ $V_{ERRN} = 0\text{ V}$ $V_{IN\_SETx} = 1\text{ V}$ D open $V_{EN} > V_{DEN(th,max)}$	P_7.5.1
ERRN fault current	$I_{ERRN(fault)}$	2	–	–	mA	<sup>1)</sup> $V_S > 8\text{ V}$ $V_{ERRN} = 0.8\text{ V}$ Fault condition $V_{EN} > V_{DEN(th,max)}$	P_7.5.2
ERRN input threshold	$V_{ERRN(th)}$	0.8	–	2.0	V	<sup>1)</sup> $V_S > 8\text{ V}$	P_7.5.3
OL detection threshold	$V_{PSx(OL)}$	0.2	–	0.4	V	$V_S > 8\text{ V}$ $V_{EN} > V_{DEN(th,max)}$	P_7.5.5
SC detection threshold	$V_{OUTx(SC)}$	0.8	–	1.35	V	$V_S > 8\text{ V}$ $V_{EN} > V_{DEN(th,max)}$	P_7.5.6

## TLD2331-3EP

### LITIX™ Basic+

#### Load diagnosis

**Table 8 Electrical Characteristics: Fault management (cont'd)**

$T_J = -40^\circ\text{C}$  to  $+150^\circ\text{C}$ ;  $V_S = 5.5\text{ V}$  to  $18\text{ V}$ ;  $R_{IN\_SETx} = 10\text{ k}\Omega$ ; all voltages with respect to GND, positive current flowing into input and I/O pins, positive current flowing out from output pins (unless otherwise specified)

Parameter	Symbol	Values			Unit	Note or Test Condition	Number
		Min.	Typ.	Max.			
Fault detection current	$I_{OUTx(\text{fault})}$	50	–	180	$\mu\text{A}$	$V_S > 8\text{ V}$ $V_{OUTx} = 0\text{ V}$ $V_{EN} > V_{DEN(\text{th}, \text{max})}$	P_7.5.7

#### D-pin

Threshold voltage for function de-activation	$V_{D(\text{th})}$	1.4	1.7	2	V	$V_S > 8\text{ V}$ $V_{EN} = 5.5\text{ V}$	P_7.5.8
Threshold hysteresis	$V_{D(\text{hys})}$	–	100	–	mV	<sup>1)</sup> $V_S > 8\text{ V}$ $V_{EN} = 5.5\text{ V}$ $V_{OUTx} = V_{OUTx(\text{OL})}$	P_7.5.9
Fault pull-up current	$I_{D(\text{fault})}$	20	35	50	$\mu\text{A}$	$V_S > 8\text{ V}$ $V_{OUTx} = V_{OUTx(\text{OL})}$ $V_D = 2\text{ V}$	P_7.5.10
Pull-down current	$I_{D(\text{PD})}$	40	60	95	$\mu\text{A}$	$V_S > 8\text{ V}$ $V_{EN} = 5.5\text{ V}$ $V_D = 1.4\text{ V}$ $V_{ERRN} = 2\text{ V}$ $V_{PSx} = 3\text{ V}$ No fault conditions	P_7.5.11
Internal clamp voltage	$V_{D(\text{CL})}$	4	–	6	V	$V_S > 8\text{ V}$ $V_{OUTx} = V_{OUTx(\text{OL})}$ D-pin open	P_7.5.12

#### SLS\_REF pin

Relative pull-up current, related to IN_SET2 $I_{SLS\_REF} / I_{INSET2}$	$K_{SLS\_REF}$	0.972	1	1.028	–	$V_S > 8\text{ V}$ $V_{SLS\_REF} = 0.75 \dots 3.25\text{ V}$ $I_{IN\_SET2} = 50 \dots 270\text{ }\mu\text{A}$	P_7.5.13
Output attenuation factor for internal reference comparison	$B_{SLS}$	3.77	3.93	4.09	–	$V_S > 14.65\text{ V}$ $\min(V_{OUTx}) = 13\text{ V}$	P_7.5.21
Output attenuation factor for internal reference comparison	$B_{SLS}$	3.76	3.93	4.10	–	$V_S > 8\text{ V}$ $\min(V_{OUTx}) = 7\text{ V}$	P_7.5.22
Output attenuation factor for internal reference comparison	$B_{SLS}$	3.75	3.93	4.11	–	$V_S > 8\text{ V}$ $\min(V_{OUTx}) = 5\text{ V}$	P_7.5.23
Output attenuation factor for internal reference comparison	$B_{SLS}$	3.73	3.93	4.13	–	$V_S > 8\text{ V}$ $\min(V_{OUTx}) = 3\text{ V}$	P_7.5.24

## TLD2331-3EP

### LITIX™ Basic+

#### Load diagnosis

**Table 8 Electrical Characteristics: Fault management** (cont'd)

$T_J = -40^\circ\text{C}$  to  $+150^\circ\text{C}$ ;  $V_S = 5.5\text{ V}$  to  $18\text{ V}$ ;  $R_{\text{IN\_SETx}} = 10\text{ k}\Omega$ ; all voltages with respect to GND, positive current flowing into input and I/O pins, positive current flowing out from output pins (unless otherwise specified)

Parameter	Symbol	Values			Unit	Note or Test Condition	Number
		Min.	Typ.	Max.			
SLS saturation voltage threshold	$V_{\text{SLS\_REF(CL)}}$	3.5	–	6	V	$V_S > 8\text{ V}$ $V_{\text{EN}} = 5.5\text{ V}$ $V_{\text{PWMI}} = 0\text{ V}$ SLS_REF open	P_7.5.14

#### DS pin

High threshold voltage (to trigger from pull up to pull-down current)	$V_{\text{DS(H)}}$	2.3	2.5	2.7	V	$V_S > 8\text{ V}$ $V_{\text{SLS\_REF}} = 1.5\text{ V}$ $V_{\text{OUT1}} = V_{\text{OUT2}} = 7\text{ V}$ $V_{\text{OUT3}} = 5\text{ V}$	P_7.5.15
Low threshold voltage for retri activation	$V_{\text{DS(L)}}$	0.2	0.3	0.4	V	$V_S > 8\text{ V}$ $V_{\text{SLS\_REF}} = 1.5\text{ V}$ $V_{\text{OUT1}} = V_{\text{OUT2}} = 7\text{ V}$ $V_{\text{OUT3}} = 5\text{ V}$	P_7.5.16
Pull-up current	$I_{\text{DS(PU)}}$	25	35	50	$\mu\text{A}$	$V_S > 8\text{ V}$ $V_{\text{SLS\_REF}} = 1.5\text{ V}$ $V_{\text{OUT1}} = V_{\text{OUT2}} = 7\text{ V}$ $V_{\text{OUT3}} = 5\text{ V}$	P_7.5.17
Pull-down current	$I_{\text{DS(PD)}}$	300	500	750	$\mu\text{A}$	$V_S > 8\text{ V}$ $V_{\text{EN}} = 5.5\text{ V}$ $V_{\text{DS}} = 0.4\text{ V}$ $V_{\text{ERRN}} = 2\text{ V}$ $V_{\text{PSx}} = 3\text{ V}$ No fault conditions	P_7.5.18

#### Timing

Fault to ERRN activation delay	$t_{\text{fault}}$	40	–	150	$\mu\text{s}$	<sup>1)</sup> $V_S > 8\text{ V}$ $V_{\text{OUTx}}$ rising from $5\text{ V}$ to $V_S$ $V_{\text{EN}} > V_{\text{DEN(th, max)}}$	P_7.5.19
Fault appearance/removal to IN_SET deactivation/activation delay	$t_{\text{IN\_SET(del)}}$	–	–	10	$\mu\text{s}$	<sup>1)</sup> $V_S > 8\text{ V}$ OUT open D rising from $0\text{ V}$ to $5\text{ V}$ $V_{\text{EN}} > V_{\text{DEN(th, max)}}$	P_7.5.20

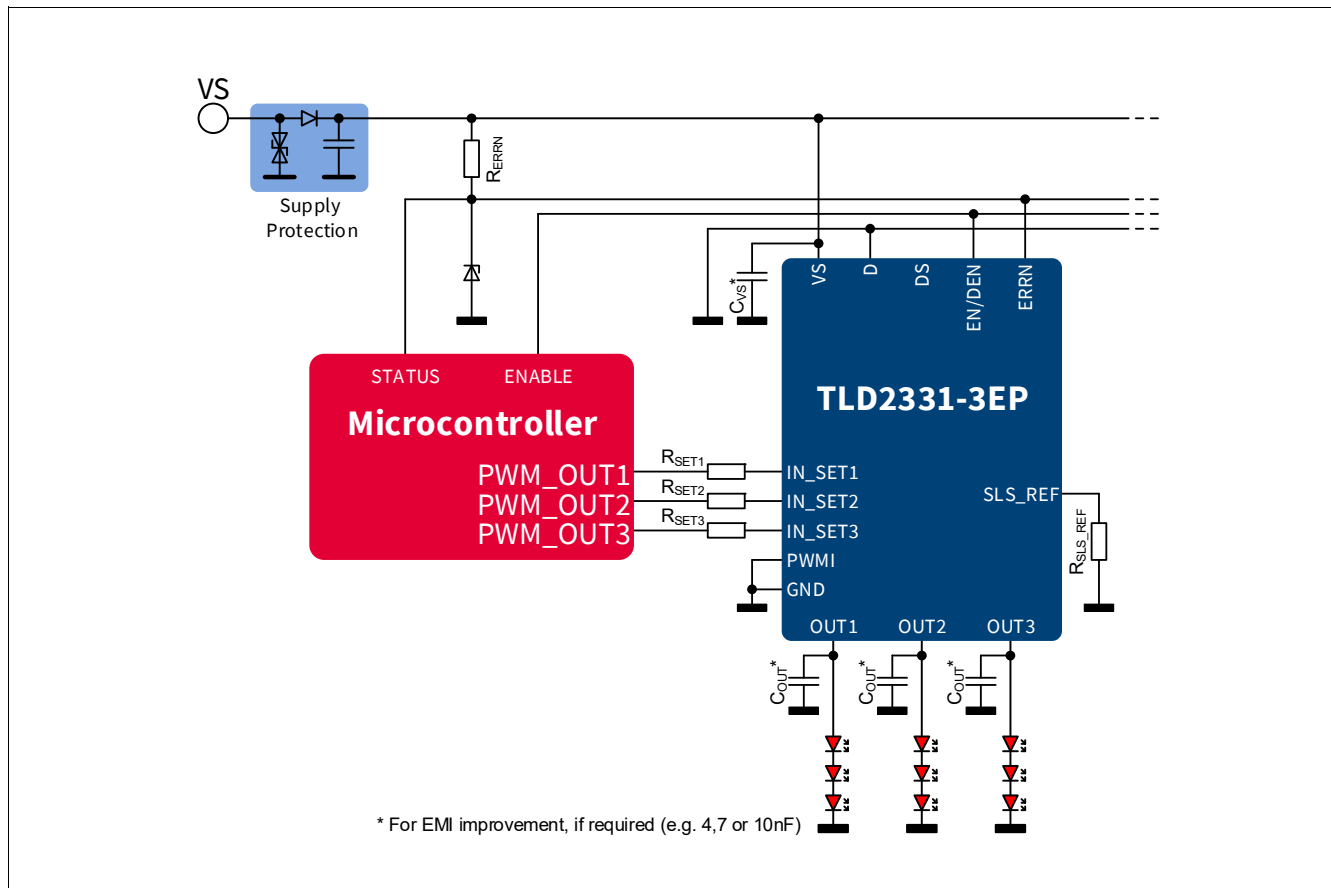
1) Not subjected to production test: specified by design.

## TLD2331-3EP LITIX™ Basic+

### Application information

## 7 Application information

**Note:** The following information is given as a hint for the implementation of the device only and shall not be regarded as a description or warranty of a certain functionality, condition or quality of the device.



**Figure 23** Application diagram example

**Note:** This is a very simplified example of an application circuit. The function must be verified in the real application.

## TLD2331-3EP LITIX™ Basic+

### Package outline

## 8 Package outline

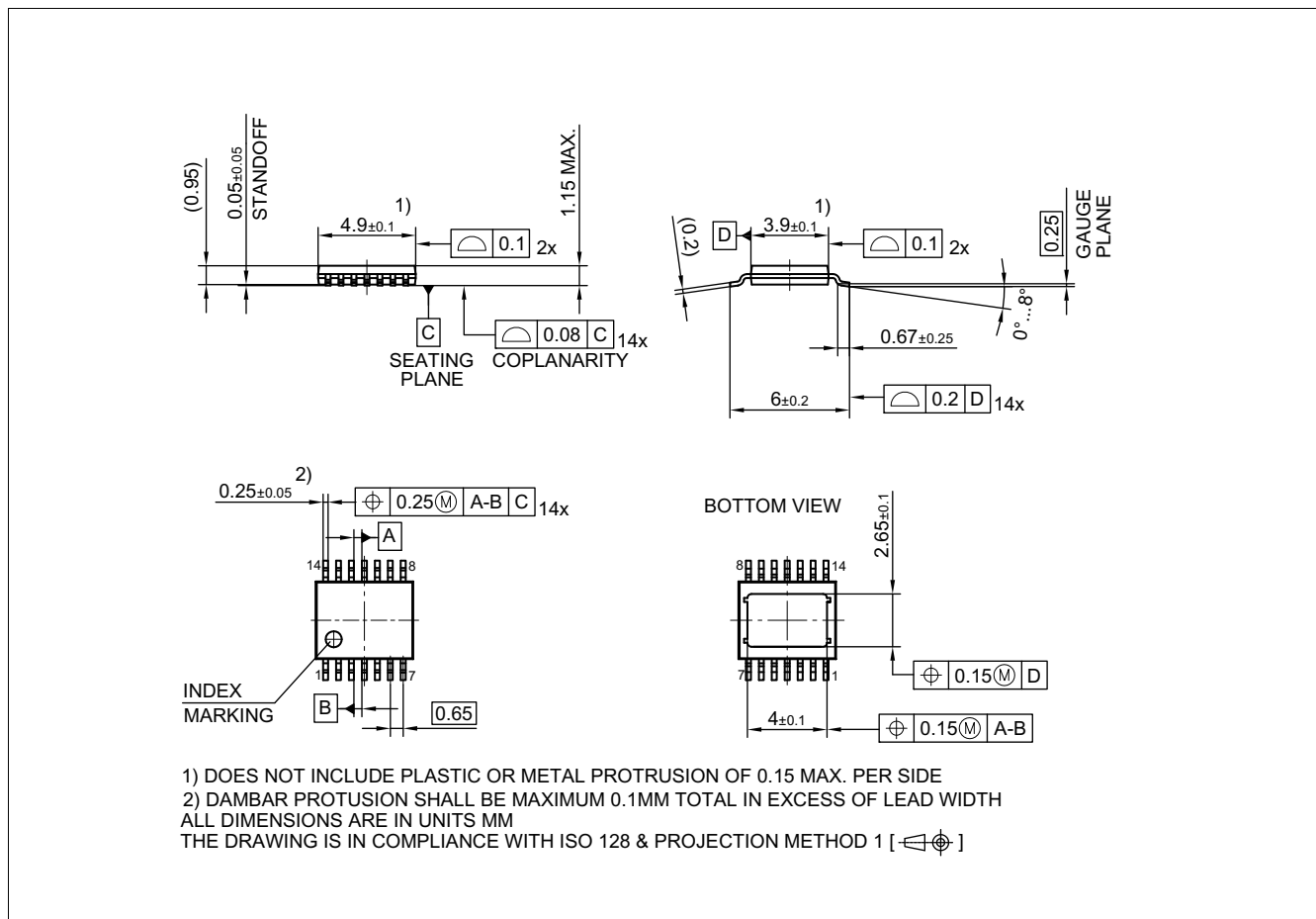


Figure 24 PG-TSDSO-14

### Green product (RoHS compliant)

To meet the world-wide customer requirements for environmentally friendly products and to be compliant with government regulations the device is available as a green product. Green products are RoHS-Compliant (i.e Pb-free finish on leads and suitable for Pb-free soldering according to IPC/JEDEC J-STD-020).

### Further information on packages

<https://www.infineon.com/packages>





## TLD2331-3EP

### LITIX™ Basic+

#### Revision History

## 9 Revision History

Revision	Date	Changes
1.20	2021-06-15	Updated P_5.2.17, P_5.2.14, P_5.2.15
1.10	2019-09-26	Updated P_4.1.21
1.10	2019-09-26	Corrected copper dimensions in footnote <sup>4</sup> in <b>Table 4</b>
1.10	2019-09-26	Updated <b>Equation (6.1)</b> and <b>Equation (6.2)</b>
1.10	2019-09-26	Specified typical value for $V_{D(th)}$ . See P_7.5.8
1.00	2018-10-09	Initial datasheet created

#### Trademarks

All referenced product or service names and trademarks are the property of their respective owners.

**Edition 2021-06-15**

**Published by**

**Infineon Technologies AG**

**81726 Munich, Germany**

**© 2021 Infineon Technologies AG.**

**All Rights Reserved.**

**Do you have a question about any aspect of this document?**

**Email: [erratum@infineon.com](mailto:erratum@infineon.com)**

**Document reference**

**LITIX™ Basic+ TLD2331-3EP**

#### IMPORTANT NOTICE

The information given in this document shall in no event be regarded as a guarantee of conditions or characteristics ("Beschaffheitsgarantie").

With respect to any examples, hints or any typical values stated herein and/or any information regarding the application of the product, Infineon Technologies hereby disclaims any and all warranties and liabilities of any kind, including without limitation warranties of non-infringement of intellectual property rights of any third party.

In addition, any information given in this document is subject to customer's compliance with its obligations stated in this document and any applicable legal requirements, norms and standards concerning customer's products and any use of the product of Infineon Technologies in customer's applications.

The data contained in this document is exclusively intended for technically trained staff. It is the responsibility of customer's technical departments to evaluate the suitability of the product for the intended application and the completeness of the product information given in this document with respect to such application.

For further information on technology, delivery terms and conditions and prices, please contact the nearest Infineon Technologies Office ([www.infineon.com](http://www.infineon.com)).

#### WARNINGS

Due to technical requirements products may contain dangerous substances. For information on the types in question please contact your nearest Infineon Technologies office.

Except as otherwise explicitly approved by Infineon Technologies in a written document signed by authorized representatives of Infineon Technologies, Infineon Technologies' products may not be used in any applications where a failure of the product or any consequences of the use thereof can reasonably be expected to result in personal injury.

## OUR CERTIFICATE

DiGi provide top-quality products and perfect service for customer worldwide through standardization, technological innovation and continuous improvement. DiGi through third-party certification, we stricly control the quality of products and services. Welcome your RFQ to

Email: [Info@DiGi-Electronics.com](mailto:Info@DiGi-Electronics.com)



Tel: +00 852-30501935

RFQ Email: [Info@DiGi-Electronics.com](mailto:Info@DiGi-Electronics.com)

DiGi is a global authorized distributor of electronic components.