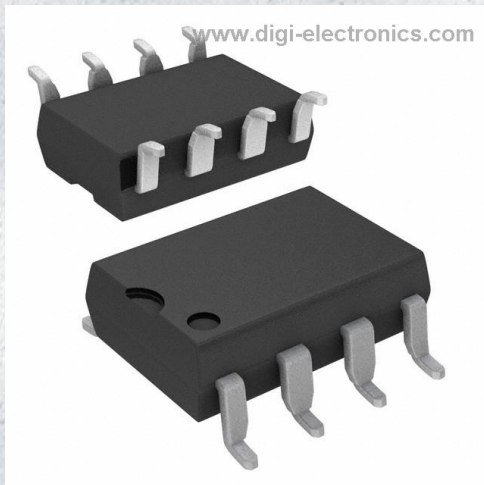


# TLP321-2BLSMT&R, Datasheet



<https://www.DiGi-Electronics.com>

DiGi Electronics Part Number	TLP321-2BLSMT&R,-DG
Manufacturer	<a href="#">Isocom Components 2004 LTD</a>
Manufacturer Product Number	TLP321-2BLSMT&R,
Description	8PIN TRANSISTOR OUTPUT, DUAL CHA
Detailed Description	Optoisolator Transistor Output 5300Vrms 2 Channe l 8-SMD

This model TLP321-2BLSMT&R, is available at DiGi Electronics.

DiGi Electronics offers a global database of semiconductor and electronic component datasheets.

We welcome your inquiries regarding pricing, lead time, or other product-related questions.

 [Request a Quote](#)

 [Datasheet Search](#)



Tel: +00 852-30501935

RFQ Email: [Info@DiGi-Electronics.com](mailto:Info@DiGi-Electronics.com)

DiGi is a global authorized distributor of electronic components.

## Purchase and inquiry

Manufacturer Product Number:

TLP321-2BLSMT&R,

Series:

TLP321-2

Number of Channels:

2

Current Transfer Ratio (Min):

200% @ 5mA

Turn On / Turn Off Time (Typ):

3µs, 3µs

Input Type:

DC

Voltage - Output (Max):

80V

Voltage - Forward (Vf) (Typ):

1.15V

Vce Saturation (Max):

400mV

Mounting Type:

Surface Mount

Supplier Device Package:

8-SMD

Manufacturer:

Isocom Components 2004 LTD

Product Status:

Active

Voltage - Isolation:

5300Vrms

Current Transfer Ratio (Max):

600% @ 5mA

Rise / Fall Time (Typ):

2µs, 3µs

Output Type:

Transistor

Current - Output / Channel:

-

Current - DC Forward (If) (Max):

50 mA

Operating Temperature:

-55°C ~ 100°C

Package / Case:

8-SMD, Gull Wing

## Environmental & Export classification

RoHS Status:

ROHS3 Compliant

REACH Status:

REACH Unaffected

HTSUS:

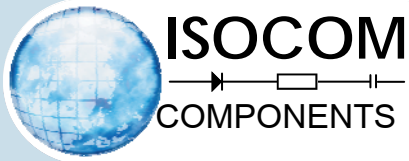
8541.49.8000

Moisture Sensitivity Level (MSL):

1 (Unlimited)

ECCN:

EAR99



## TLP321, TLP321-2, TLP321-4



### DESCRIPTION

The TLP321, TLP321-2 and TLP321-4 series of optically coupled isolator consist of an infrared light emitting diode and an NPN silicon photo transistor in a space efficient Dual In Line Plastic Package.

### FEATURES

- AC Isolation Voltage 5300V<sub>RMS</sub>
- CTR Selections Available
- Wide Operating Temperature Range  
-30°C to +100°C
- Lead Free and RoHS Compliant
- UL File E91231 Package Code "EE"
- VDE Approval Certificate No. 40028086

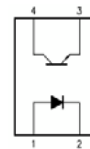
### APPLICATIONS

- Computer Terminals
- Industrial System Controllers
- Measuring Instruments
- Signal Transmission between Systems of Different Potentials and Impedances

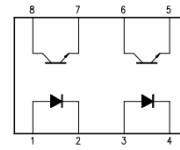
### ORDER INFORMATION

- Add X after PN for VDE Approval
- Add G after PN for 10mm lead spacing
- Add SM after PN for Surface Mount
- Add SMT&R after PN for Surface Mount Tape & Reel  
(Available for TLP321SM and TLP321-2SM)
- Consult Factory for Tape and Reel version of TLP321-4SM

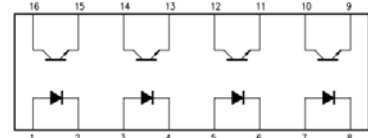
TLP321



TLP321-2



TLP321-4



### ABSOLUTE MAXIMUM RATINGS (T<sub>A</sub> = 25°C)

Stresses exceeding the absolute maximum ratings can cause permanent damage to the device.

Exposure to absolute maximum ratings for long periods of time can adversely affect reliability.

#### Input

Forward Current	50mA
Reverse Voltage	6V
Power dissipation	70mW

#### Output

Collector to Emitter Voltage BV <sub>CEO</sub>	80V
Emitter to Collector Voltage BV <sub>ECO</sub>	6V
Collector Current	50mA
Power Dissipation	150mW

#### Total Package

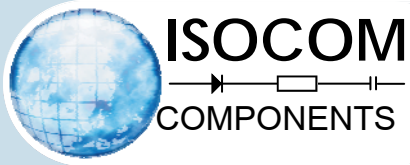
Isolation Voltage	5300V <sub>RMS</sub>
Total Power Dissipation	200mW
Operating Temperature	-30 to 100 °C
Storage Temperature	-55 to 125 °C
Lead Soldering Temperature (10s)	260°C

#### ISOCOM COMPONENTS 2004 LTD

Unit 25B, Park View Road West, Park View Industrial Estate  
Hartlepool, Cleveland, TS25 1PE, United Kingdom  
Tel : +44 (0)1429 863 609 Fax : +44 (0)1429 863 581  
e-mail : sales@isocom.co.uk  
<http://www.isocom.com>

#### ISOCOM COMPONENTS ASIA LTD

Hong Kong Office  
Block A, 8/F, Wah Hing Industrial Mansion  
36 Tai Yau Street, San Po Kong, Kowloon, Hong Kong  
Tel : +852 2995 9217 Fax : +852 8161 6292  
e-mail : sales@isocom.com.hk



## TLP321, TLP321-2, TLP321-4

### ELECTRICAL CHARACTERISTICS (Ambient Temperature = 25°C unless otherwise specified)

#### INPUT

Parameter	Symbol	Test Condition	Min	Typ.	Max	Unit
Forward Voltage	$V_F$	$I_F = 10\text{mA}$	1.0	1.15	1.3	V
Reverse Voltage	$V_R$	$I_R = 10\mu\text{A}$	5.0			V
Reverse Leakage	$I_R$	$V_R = 5\text{V}$			10	$\mu\text{A}$
Terminal Capacitance	$C_t$	$V = 0\text{V}, f = 1\text{KHz}$		30	250	pF

#### OUTPUT

Parameter	Symbol	Test Condition	Min	Typ.	Max	Unit
Collector—Emitter breakdown Voltage	$BV_{CEO}$	$I_C = 0.5\text{mA}, I_F = 0\text{mA}$	80			V
Emitter—Collector breakdown Voltage	$BV_{ECO}$	$I_E = 100\mu\text{A}, I_F = 0\text{mA}$	6			V
Collector-Emitter Dark Current	$I_{CEO}$	$V_{CE} = 48\text{V}, I_F = 0\text{mA}$			100	nA



## TLP321, TLP321-2, TLP321-4

### ELECTRICAL CHARACTERISTICS (Ambient Temperature = 25°C unless otherwise specified)

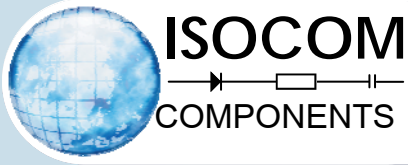
#### COUPLED

Parameter	Symbol	Test Condition	Min	Typ.	Max	Unit
Current Transfer Ratio	CTR	$I_F = 5\text{mA}$ , $V_{CE} = 5\text{V}$	50		600	%
		Optional CTR Grades				
		BL	200		600	
		GB	100		600	
		GB ( $I_F = 1\text{mA}$ , $V_{CE} = 0.4\text{V}$ )	30			
Collector—Emitter Saturation Voltage	$V_{CE(sat)}$	$I_F = 8\text{mA}$ , $I_C = 2.4\text{mA}$ GB ( $I_F = 1\text{mA}$ , $I_C = 0.2\text{mA}$ )			0.4 0.4	V
Output Rise Time	$t_r$	$V_{CE} = 10\text{V}$ , $I_C = 2\text{mA}$ , $R_L = 100\Omega$		2		$\mu\text{s}$
Output Fall Time	$t_f$			3		
Turn-on Time	$t_{on}$			3		
Turn-off Time	$t_{off}$			3		

#### ISOLATION

Parameter	Symbol	Test Condition	Min	Typ.	Max	Unit
Input to Output Isolation Voltage	$V_{ISO}$	AC 1 minute, RH = 40 to 60% Note 1	5300			$V_{RMS}$
Input to Output Isolation Resistance	$R_{ISO}$	$V_{IO} = 500\text{V}$ Note 1	$5 \times 10^{10}$			$\Omega$

Note 1 : Measure with input leads shorted together and output leads shorted together.



TLP321, TLP321-2, TLP321-4

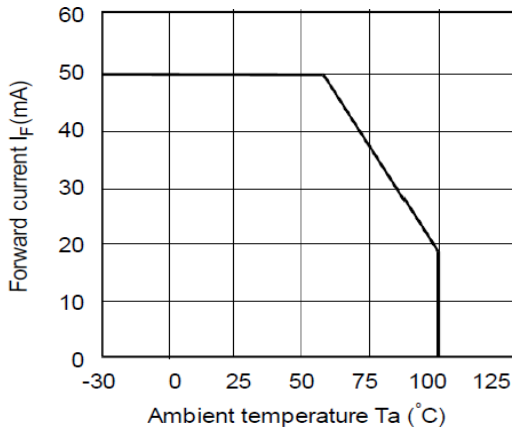


Fig 1 Forward Current vs  $T_A$

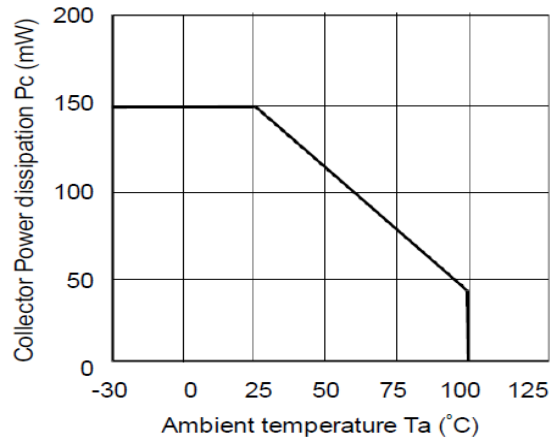


Fig 2 Collector Power Dissipation vs  $T_A$

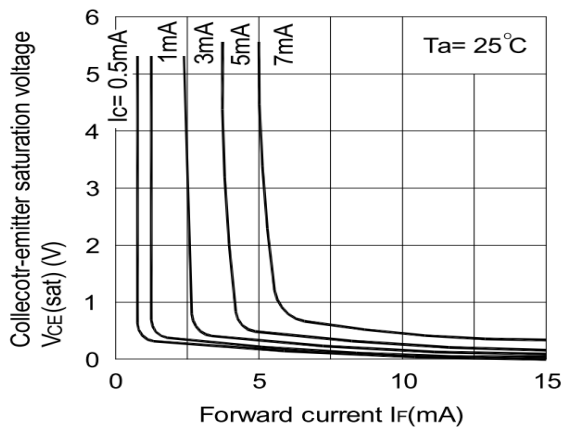


Fig 3 Collector-emitter Saturation Voltage vs Forward Current

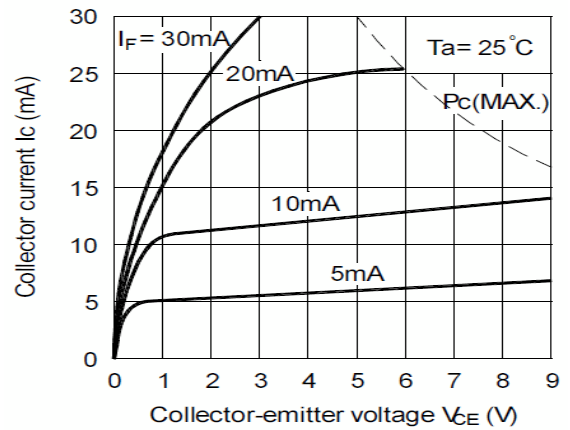


Fig 4 Collector Current vs Collector-emitter Voltage

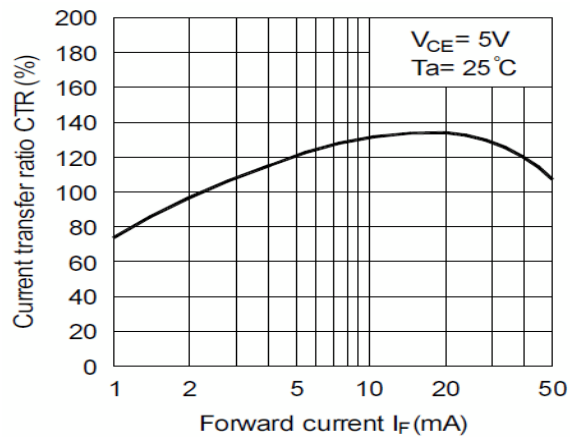


Fig 5 Current Transfer Ratio vs Forward Current

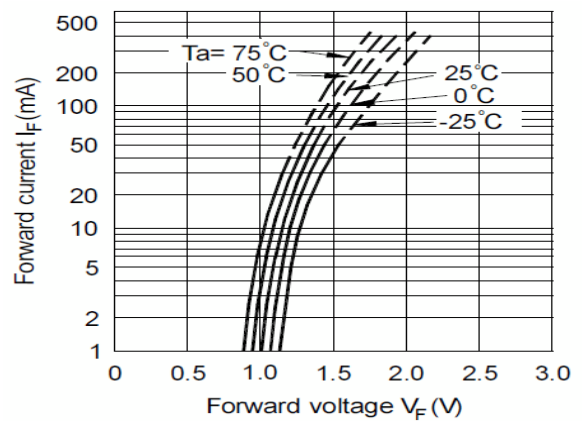
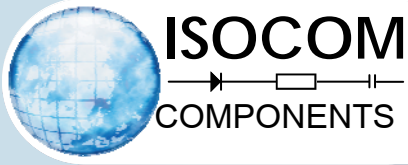
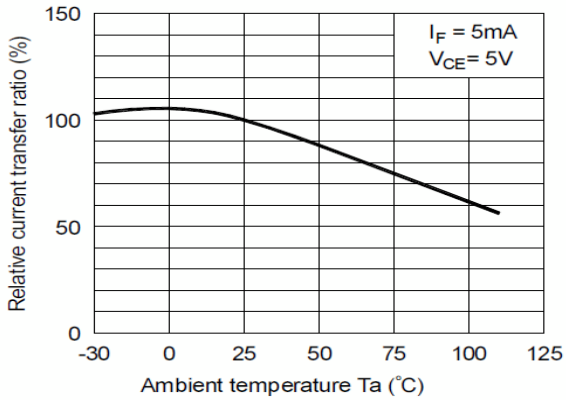


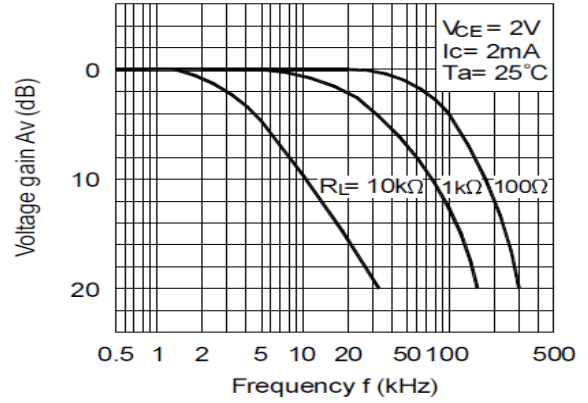
Fig 6 Forward Current vs Forward Voltage



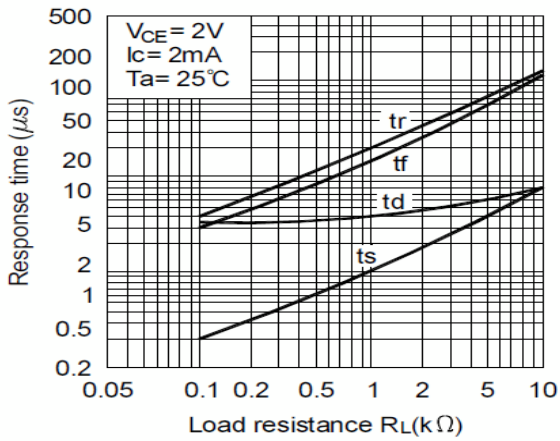
## TLP321, TLP321-2, TLP321-4



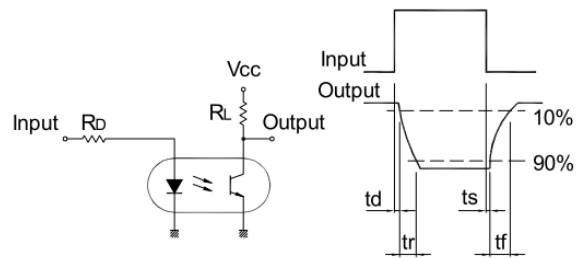
**Fig 7 Relative CTR vs  $T_A$**



**Fig 8 Frequency Response**



**Fig 9 Response Time vs Load Resistance**



**Response Time Test Circuit**



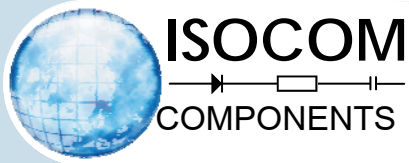
## TLP321, TLP321-2, TLP321-4

### ORDER INFORMATION

TLP321 (UL Approval)			
After PN	PN	Description	Packing quantity
None	TLP321, TLP321BL, TLP321GB	Standard DIP4	100 pcs per tube
G	TLP321G, TLP321BLG, TLP321GBG	10mm Lead Spacing	100 pcs per tube
SM	TLP321SM, TLP321BLSM, TLP321GBSM	Surface Mount	100 pcs per tube
SMT&R	TLP321SMT&R, TLP321BLSMT&R, TLP321GBSMT&R	Surface Mount Tape & Reel	1000 pcs per reel

TLP321-2 (UL Approval)			
After PN	PN	Description	Packing quantity
None	TLP321-2, TLP321-2BL, TLP321-2GB	Standard DIP8	50 pcs per tube
G	TLP321-2G, TLP321-2BLG, TLP321-2GBG	10mm Lead Spacing	50 pcs per tube
SM	TLP321-2SM, TLP321-2BLSM, TLP321-2GBSM	Surface Mount	50 pcs per tube
SMT&R	TLP321-2SMT&R, TLP321-2BLSMT&R, TLP321-2GBSMT&R	Surface Mount Tape & Reel	1000 pcs per reel

TLP321-4 (UL Approval)			
After PN	PN	Description	Packing quantity
None	TLP321-4, TLP321-4BL, TLP321-4GB	Standard DIP16	25 pcs per tube
G	TLP321-4G, TLP321-4BLG, TLP321-4GBG	10mm Lead Spacing	25 pcs per tube
SM	TLP321-4SM, TLP321-4BLSM, TLP321-4GBSM	Surface Mount	25 pcs per tube



## TLP321, TLP321-2, TLP321-4

### ORDER INFORMATION

TLP321X (UL and VDE Approvals)			
After PN	PN	Description	Packing quantity
None	TLP321X, TLP321XBL, TLP321XGB	Standard DIP4	100 pcs per tube
G	TLP321XG, TLP321XBLG, TLP321XGBG	10mm Lead Spacing	100 pcs per tube
SM	TLP321XSM, TLP321XBLSM, TLP321XGBSM	Surface Mount	100 pcs per tube
SMT&R	TLP321XSMT&R, TLP321XBLSMT&R, TLP321XGBXSMT&R	Surface Mount Tape & Reel	1000 pcs per reel

TLP321-2X (UL and VDE Approvals)			
After PN	PN	Description	Packing quantity
None	TLP321-2X, TLP321-2XBL, TLP321-2XGB	Standard DIP8	50 pcs per tube
G	TLP321-2XG, TLP321-2XBLG, TLP321-2XGBG	10mm Lead Spacing	50 pcs per tube
SM	TLP321-2XSM, TLP321-2XBLSM, TLP321-2XGBSM	Surface Mount	50 pcs per tube
SMT&R	TLP321-2XSMT&R, TLP321-2XBLSMT&R, TLP321-2XGBSMT&R	Surface Mount Tape & Reel	1000 pcs per reel

TLP321-4X (UL and VDE Approvals)			
After PN	PN	Description	Packing quantity
None	TLP321-4X, TLP321-4XBL, TLP321-4XGB	Standard DIP16	25 pcs per tube
G	TLP321-4XG, TLP321-4XBLG, TLP321-4XGBG	10mm Lead Spacing	25 pcs per tube
SM	TLP321-4XSM, TLP321-4XBLSM, TLP321-4XGBSM	Surface Mount	25 pcs per tube



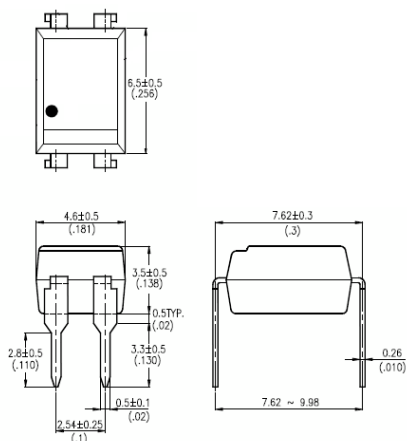
**ISOCOM**  
COMPONENTS

**TLP321, TLP321-2, TLP321-4**

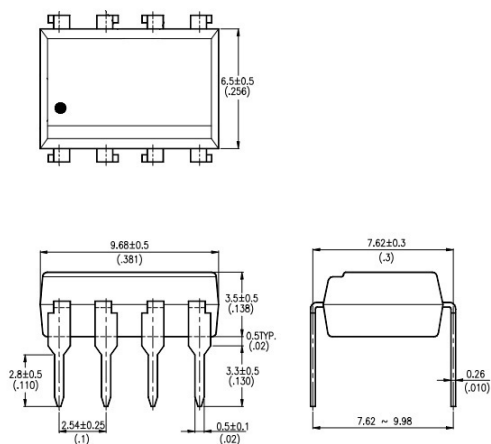
**PACKAGE DIMENSIONS in mm (inch)**

**DIP**

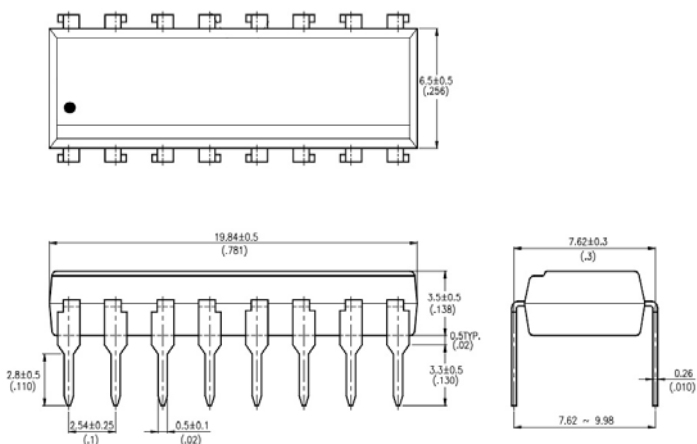
**TLP321**

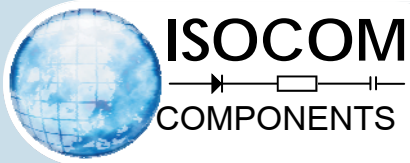


**TLP321-2**



**TLP321-4**



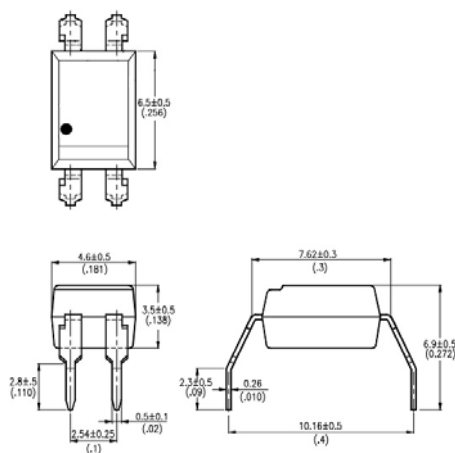


TLP321, TLP321-2, TLP321-4

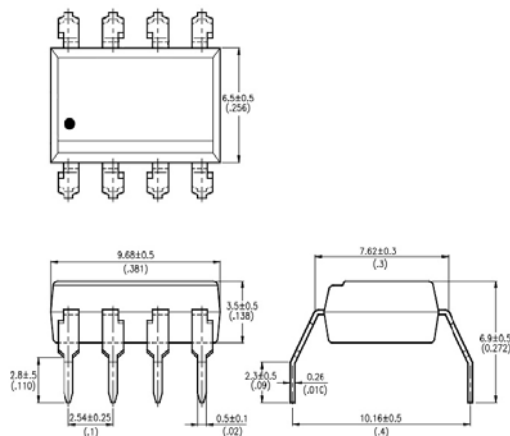
PACKAGE DIMENSIONS in mm (inch)

G Form

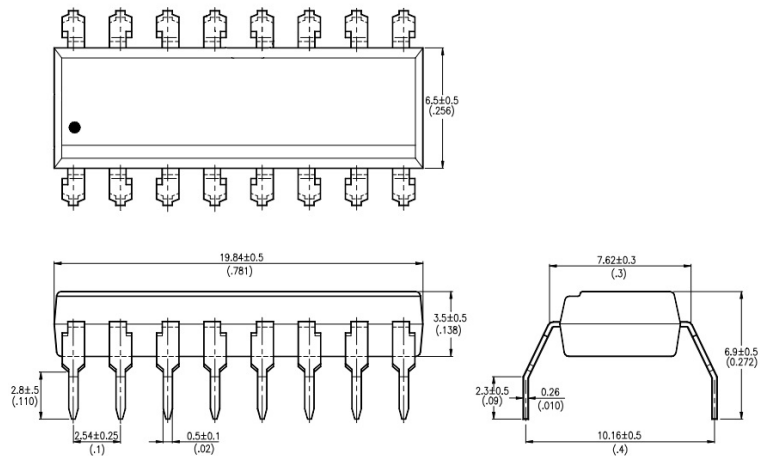
TLP321G



TLP321-2G



TLP321-4G





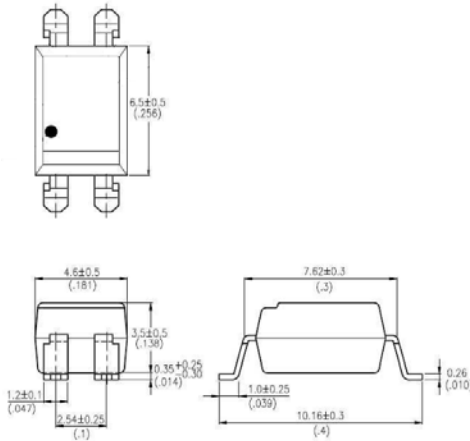
**ISOCOM**  
COMPONENTS

**TLP321, TLP321-2, TLP321-4**

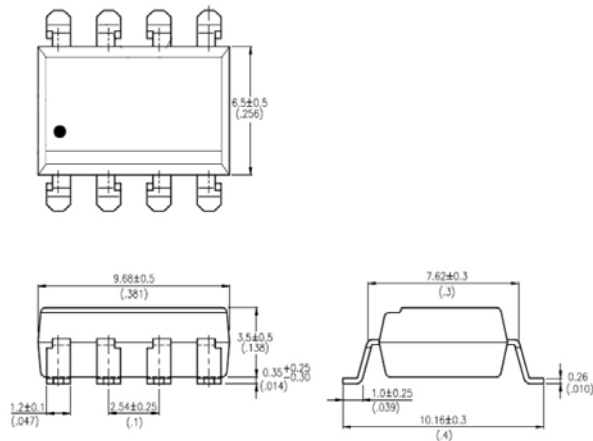
**PACKAGE DIMENSIONS in mm (inch)**

**SMD**

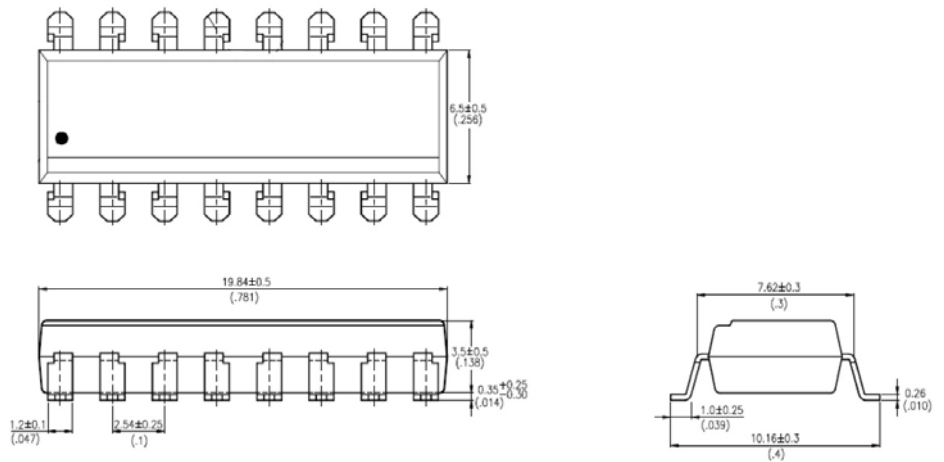
**TLP321SM**



**TLP321-2SM**



**TLP321-4SM**



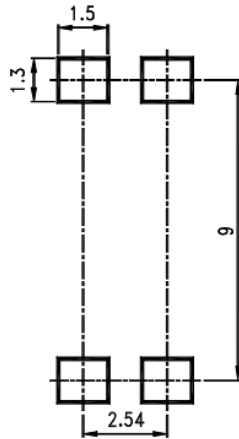


**ISOCOM**  
COMPONENTS

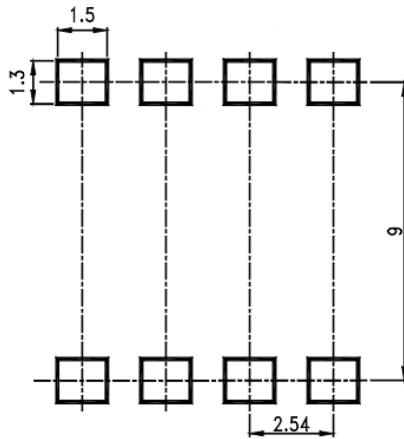
**TLP321, TLP321-2, TLP321-4**

**RECOMMENDED PAD LAYOUT FOR SMD (mm)**

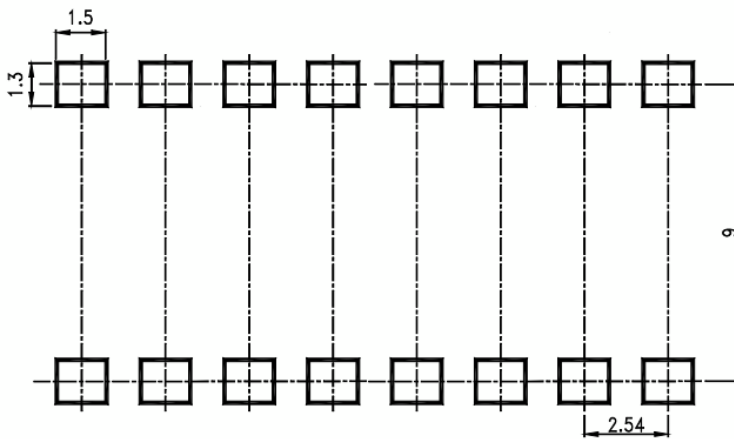
**TLP321SM**



**TLP321-2SM**



**TLP321-4SM**

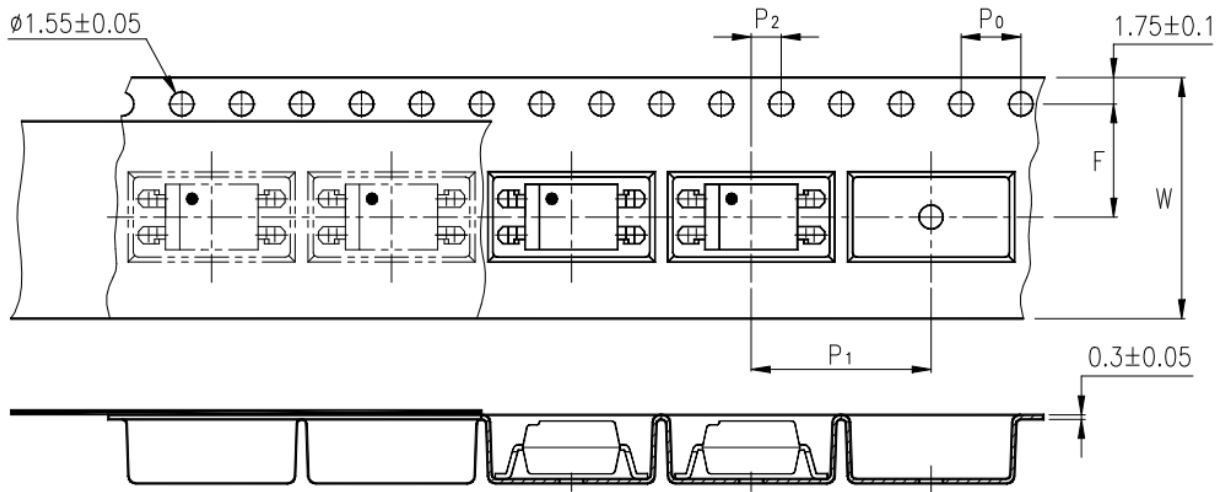




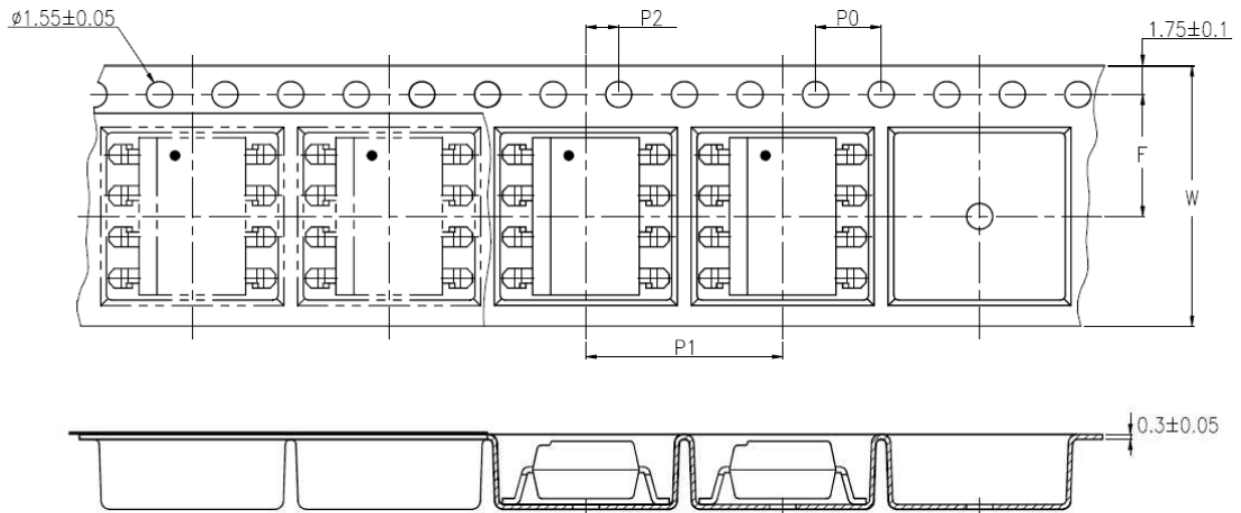
**ISOCOM**  
COMPONENTS

**TLP321, TLP321-2, TLP321-4**

**TAPE AND REEL PACKAGING**

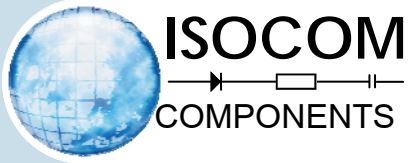


**TLP321SMT&R**



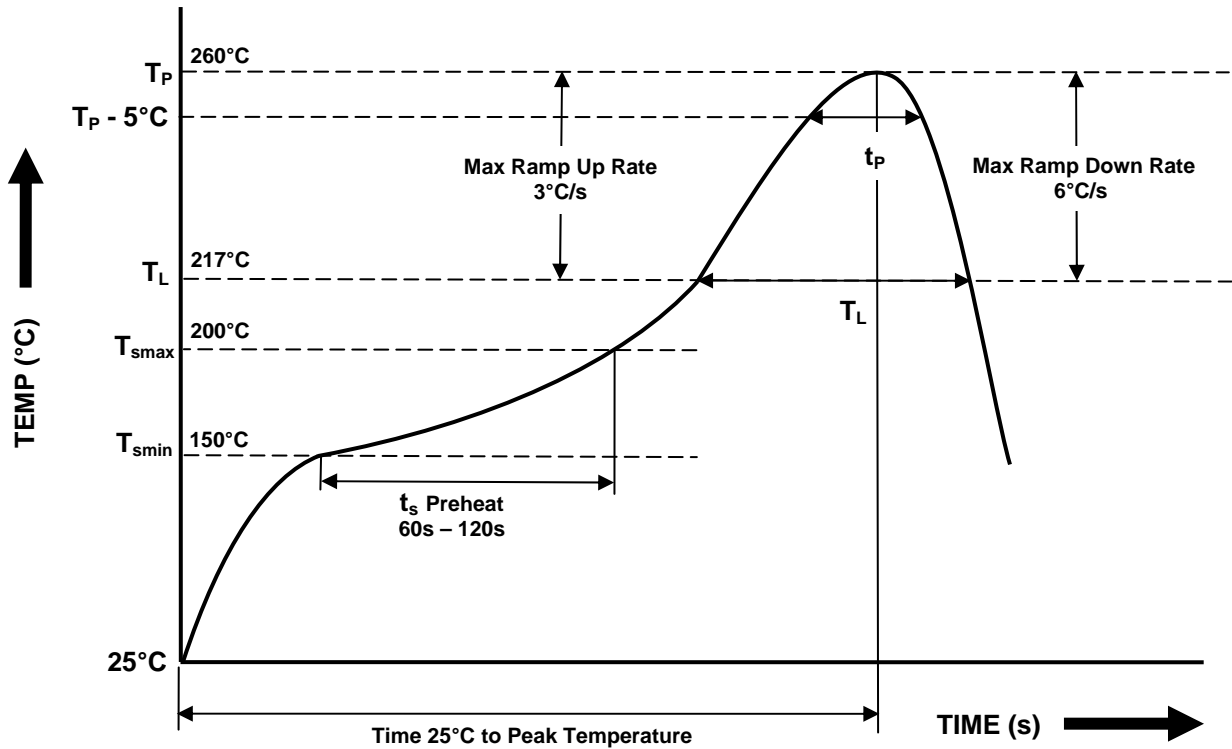
**TLP321-2SMT&R**

Description	Symbol	Dimensions in mm ( inches )
Tape wide	W	16 ± 0.3 ( .63 )
Pitch of sprocket holes	P <sub>0</sub>	4 ± 0.1 ( .15 )
Distance of compartment	F	7.5 ± 0.1 ( .295 )
Distance of compartment to compartment	P <sub>1</sub>	2 ± 0.1 ( .079 )
Distance of compartment to compartment	P <sub>1</sub>	12 ± 0.1 ( .472 )



TLP321, TLP321-2, TLP321-4

**IR REFLOW SOLDERING TEMPERATURE PROFILE FOR SMD**  
 (One Time Reflow Soldering is Recommended)



Profile Details	Conditions
<b>Preheat</b> - Min Temperature ( $T_{SMIN}$ ) - Max Temperature ( $T_{SMAX}$ ) - Time $T_{SMIN}$ to $T_{SMAX}$ ( $t_s$ )	150°C 200°C 60s - 120s
<b>Soldering Zone</b> - Peak Temperature ( $T_P$ ) - Time at Peak Temperature - Liquidous Temperature ( $T_L$ ) - Time within 5°C of Actual Peak Temperature ( $T_P - 5^\circ C$ ) - Time maintained above $T_L$ ( $t_L$ ) - Ramp Up Rate ( $T_L$ to $T_P$ ) - Ramp Down Rate ( $T_P$ to $T_L$ )	260°C 10s max 217°C 30s max 60s - 100s 3°C/s max 6°C/s max
Average Ramp Up Rate ( $T_{smax}$ to $T_P$ )	3°C/s max
Time 25°C to Peak Temperature	8 minutes max

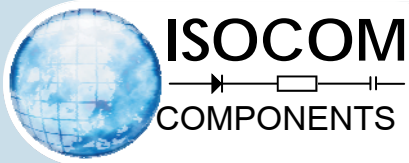


**ISOCOM**  
—▶—□—|—|—  
**COMPONENTS**

## TLP321, TLP321-2, TLP321-4

### NOTES :

- Isocom is continually improving the quality, reliability, function or design and Isocom reserves the right to make changes without further notices.
- The products shown in this publication are designed for the general use in electronic applications such as office automation equipment, communications devices, audio/visual equipment, electrical application and instrumentation.
- For equipment/application where high reliability or safety is required, such as space applications, nuclear power control equipment, medical equipment, etc., please contact our sales representatives.
- When requiring a device for any "specific" application, please contact our sales for advice.
- The contents described herein are subject to change without prior notice.
- Do not immerse device body in solder paste.



## DISCLAIMER

\_\_ ISOCOM is continually working to improve the quality and reliability of its products. Nevertheless, semiconductor devices in general can malfunction or fail due to their inherent electrical sensitivity and vulnerability to physical stress. It is the responsibility of the buyer, when utilizing ISOCOM products, to comply with the standards of safety in making a safe design for the entire system, and to avoid situations in which a malfunction or failure of such ISOCOM products could cause loss of human life, bodily injury or damage to property.

In developing your designs, please ensure that ISOCOM products are used within specified operating ranges as set forth in the most recent ISOCOM products specifications.

\_\_ The ISOCOM products listed in this document are intended for usage in general electronics applications (computer, personal equipment, office equipment, measuring equipment, industrial robotics, domestic appliances, etc.). These ISOCOM products are neither intended nor warranted for usage in equipment that requires extraordinarily high quality and/or reliability or a malfunction or failure of which may cause loss of human life or bodily injury ("Unintended Usage"). Unintended Usage include atomic energy control instruments, airplane or spaceship instruments, transportation Instruments, traffic signal instruments, combustion control instruments, medical Instruments, all types of safety devices, etc.. Unintended Usage of ISOCOM products listed in this document shall be made at the customer's own risk.

\_\_ Gallium arsenide (GaAs) is a substance used in the products described in this document. GaAs dust and fumes are toxic. Do not break, cut or pulverize the product, or use chemicals to dissolve them. When disposing of the products, follow the appropriate regulations. Do not dispose of the products with other industrial waste or with domestic garbage.

\_\_ The products described in this document are subject to the foreign exchange and foreign trade laws.

\_\_ The information contained herein is presented only as a guide for the applications of our products. No responsibility is assumed by ISOCOM Components for any infringements of intellectual property or other rights of the third parties which may result from its use. No license is granted by implication or otherwise under any intellectual property or other rights of ISOCOM Components or others.

\_\_ The information contained herein is subject to change without notice.

## OUR CERTIFICATE

DiGi provide top-quality products and perfect service for customer worldwide through standardization, technological innovation and continuous improvement. DiGi through third-party certification, we stricly control the quality of products and services. Welcome your RFQ to

Email: [Info@DiGi-Electronics.com](mailto:Info@DiGi-Electronics.com)



Tel: +00 852-30501935

RFQ Email: [Info@DiGi-Electronics.com](mailto:Info@DiGi-Electronics.com)

DiGi is a global authorized distributor of electronic components.