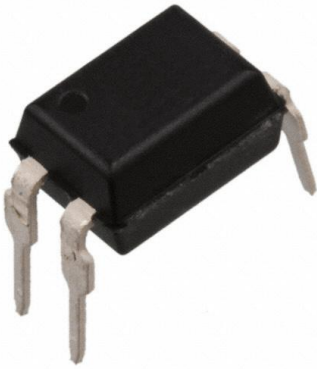


TLP521 Datasheet

www.digi-electronics.com



<https://www.DiGi-Electronics.com>

DiGi Electronics Part Number	TLP521-DG
Manufacturer	Isocom Components 2004 LTD
Manufacturer Product Number	TLP521
Description	4PIN TRANSISTOR OUTPUT, SINGLE O
Detailed Description	Optoisolator Transistor Output 5300Vrms 1 Channel 1 4-DIP

This model TLP521 is available at DiGi Electronics.

DiGi Electronics offers a global database of semiconductor and electronic component datasheets.

We welcome your inquiries regarding pricing, lead time, or other product-related questions.

 [Request a Quote](#)

 [Datasheet Search](#)



Tel: +00 852-30501935

RFQ Email: Info@DiGi-Electronics.com

DiGi is a global authorized distributor of electronic components.

Purchase and inquiry

Manufacturer Product Number:

TLP521

Series:

TLP521

Number of Channels:

1

Current Transfer Ratio (Min):

50% @ 5mA

Turn On / Turn Off Time (Typ):

3 μ s, 3 μ s

Input Type:

DC

Voltage - Output (Max):

55V

Voltage - Forward (Vf) (Typ):

1.15V

Vce Saturation (Max):

400mV

Mounting Type:

Through Hole

Supplier Device Package:

4-DIP

Manufacturer:

Isocom Components 2004 LTD

Product Status:

Active

Voltage - Isolation:

5300Vrms

Current Transfer Ratio (Max):

600% @ 5mA

Rise / Fall Time (Typ):

4 μ s, 3 μ s

Output Type:

Transistor

Current - Output / Channel:

50mA

Current - DC Forward (If) (Max):

50 mA

Operating Temperature:

-30°C ~ 100°C

Package / Case:

4-DIP (0.300", 7.62mm)

Environmental & Export classification

RoHS Status:

ROHS3 Compliant

REACH Status:

REACH Unaffected

HTSUS:

8541.49.8000

Moisture Sensitivity Level (MSL):

1 (Unlimited)

ECCN:

EAR99



TLP521, TLP521-2, TLP521-4



DESCRIPTION

The TLP521, TLP521-2 and TLP521-4 series of optically coupled isolator consist of an infrared light emitting diode and an NPN silicon photo transistor in a space efficient Dual In Line Plastic Package.

FEATURES

- AC Isolation Voltage 5300V_{RMS}
- CTR Selections Available
- Wide Operating Temperature Range -30°C to +100°C
- Lead Free and RoHS Compliant
- UL File E91231 Package Code "EE"
- VDE Approval Certificate No. 40028086

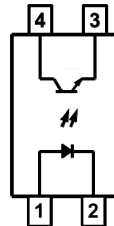
APPLICATIONS

- Computer Terminals
- Industrial System Controllers
- Measuring Instruments
- Signal Transmission between Systems of Different Potentials and Impedances

ORDER INFORMATION

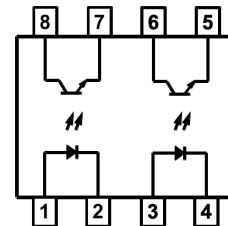
- Add X after PN for VDE Approval
- Add G after PN for 10mm lead spacing
- Add SM after PN for Surface Mount
- Add SMT&R after PN for Surface Mount Tape & Reel (Available for TLP521SM and TLP521-2SM)
- Optional Order Part No. TLP521-1 for TLP521
- Consult Factory for Tape and Reel version of TLP521-4SM

TLP521



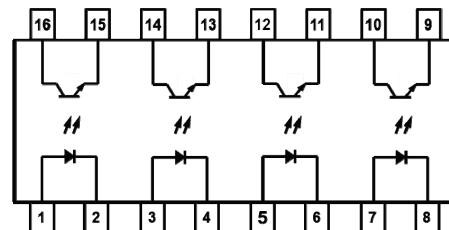
- 1 Anode
- 2 Cathode
- 3 Emitter
- 4 Collector

TLP521-2



- 1, 3 Anode
- 2, 4 Cathode
- 5, 7 Emitter
- 6, 8 Collector

TLP521-4



- 1, 3, 5, 7 Anode
- 2, 4, 6, 8 Cathode
- 9, 11, 13, 15 Emitter
- 10, 12, 14, 16 Collector

ISOCOM COMPONENTS 2004 LTD

Unit 25B, Park View Road West, Park View Industrial Estate
 Hartlepool, Cleveland, TS25 1PE, United Kingdom
 Tel : +44 (0)1429 863 609 Fax : +44 (0)1429 863 581
 e-mail : sales@isocom.co.uk
<http://www.isocom.com>

ISOCOM COMPONENTS ASIA LTD

Hong Kong Office
 Block A, 8/F, Wah Hing Industrial Mansion
 36 Tai Yau Street, San Po Kong, Kowloon, Hong Kong
 Tel : +852 2995 9217 Fax : +852 8161 6292
 e-mail : sales@isocom.com.hk



TLP521, TLP521-2, TLP521-4

ABSOLUTE MAXIMUM RATINGS ($T_A = 25^\circ\text{C}$)

Stresses exceeding the absolute maximum ratings can cause permanent damage to the device.

Exposure to absolute maximum ratings for long periods of time can adversely affect reliability.

Input

Forward Current	50mA
Reverse Voltage	6V
Power dissipation	70mW

Output

Collector to Emitter Voltage BV_{CEO}	55V
Emitter to Collector Voltage BV_{ECO}	6V
Collector Current	50mA
Power Dissipation	150mW

Total Package

Isolation Voltage	5300V _{RMS}
Total Power Dissipation	200mW
Operating Temperature	-30 to 100 °C
Storage Temperature	-55 to 125 °C
Junction Temperature	125 °C
Lead Soldering Temperature (10s)	260°C

ISOCOM COMPONENTS 2004 LTD

Unit 25B, Park View Road West, Park View Industrial Estate
 Hartlepool, Cleveland, TS25 1PE, United Kingdom
 Tel : +44 (0)1429 863 609 Fax : +44 (0)1429 863 581
 e-mail : sales@isocom.co.uk
<http://www.isocom.com>

ISOCOM COMPONENTS ASIA LTD

Hong Kong Office
 Block A, 8/F, Wah Hing Industrial Mansion
 36 Tai Yau Street, San Po Kong, Kowloon, Hong Kong
 Tel : +852 2995 9217 Fax : +852 8161 6292
 e-mail : sales@isocom.com.hk



TLP521, TLP521-2, TLP521-4

ELECTRICAL CHARACTERISTICS (Ambient Temperature = 25°C unless otherwise specified)

INPUT

Parameter	Symbol	Test Condition	Min	Typ.	Max	Unit
Forward Voltage	V_F	$I_F = 10\text{mA}$	1.0	1.15	1.3	V
Reverse Voltage	V_R	$I_R = 10\mu\text{A}$	6.0			V
Reverse Leakage	I_R	$V_R = 4\text{V}$			10	μA
Terminal Capacitance	C_t	$V = 0\text{V}, f = 1\text{KHz}$		30	250	pF

OUTPUT

Parameter	Symbol	Test Condition	Min	Typ.	Max	Unit
Collector—Emitter breakdown Voltage	BV_{CEO}	$I_C = 0.5\text{mA}, I_F = 0\text{mA}$	55			V
Emitter—Collector breakdown Voltage	BV_{ECO}	$I_E = 100\mu\text{A}, I_F = 0\text{mA}$	6			V
Collector-Emitter Dark Current	I_{CEO}	$V_{CE} = 20\text{V}, I_F = 0\text{mA}$			100	nA



TLP521, TLP521-2, TLP521-4

ELECTRICAL CHARACTERISTICS (Ambient Temperature = 25°C unless otherwise specified)

COUPLED

Parameter	Symbol	Test Condition	Min	Typ.	Max	Unit
Current Transfer Ratio	CTR	$I_F = 5\text{mA}$, $V_{CE} = 5\text{V}$	50		600	%
		Optional CTR Grades				
		GR	100		300	
		BL	200		600	
		GB	100		600	
		GB ($I_F = 1\text{mA}$, $V_{CE} = 0.4\text{V}$)	30			
Collector—Emitter Saturation Voltage	$V_{CE(\text{sat})}$	$I_F = 8\text{mA}$, $I_C = 2.4\text{mA}$ GB ($I_F = 1\text{mA}$, $I_C = 0.2\text{mA}$)			0.4 0.4	V
Output Rise Time	t_r	$V_{CE} = 2\text{V}$, $I_C = 2\text{mA}$, $R_L = 100\Omega$		4		μs
Output Fall Time	t_f			3		
Turn-on Time	t_{on}			3		
Turn-off Time	t_{off}			3		
Turn-on Time	t_{ON}	$V_{CC} = 5\text{V}$, $I_F = 16\text{mA}$, $R_L = 1.9\text{k}\Omega$		2		μs
Turn-off Time	t_{OFF}			25		

ISOLATION

Parameter	Symbol	Test Condition	Min	Typ.	Max	Unit
Input to Output Isolation Voltage	V_{ISO}	R.H. = 40% to 60 %, $t = 1 \text{ min}$	5300			V_{RMS}
Input to Output Resistance	R_{ISO}	$V_{\text{IO}} = 500\text{VDC}$, R.H. = 40% to 60 %	5×10^{10}			Ω

Device is considered a two terminal device : Input pins are shorted together and Output pins are shorted together.



TLP521, TLP521-2, TLP521-4

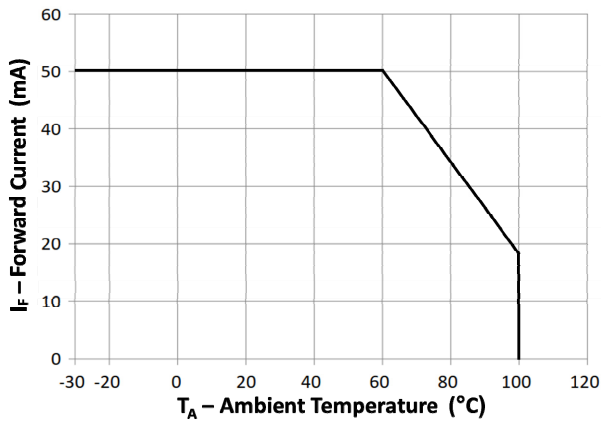


Fig 1 Forward Current vs T_A

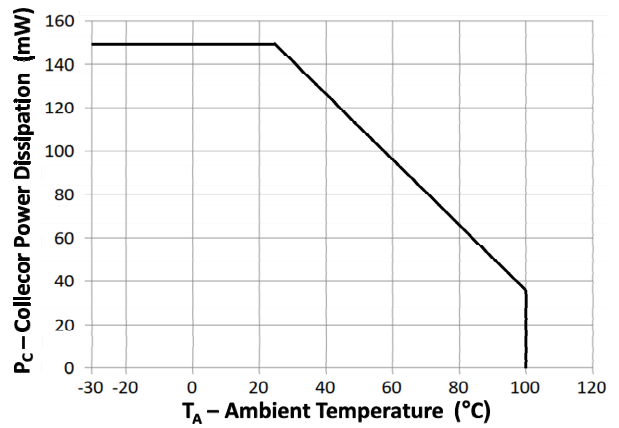


Fig 2 Collector Power Dissipation vs T_A

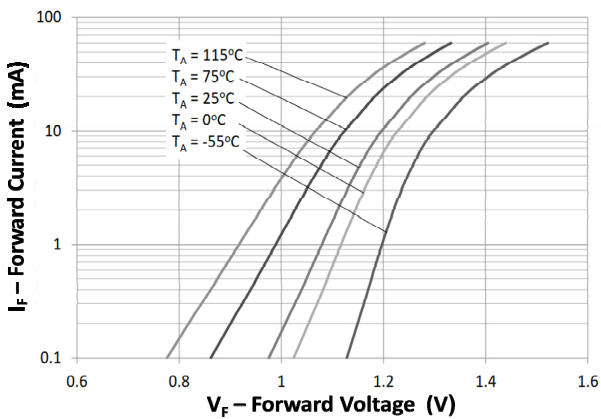


Fig 3 Forward Current vs Forward Voltage

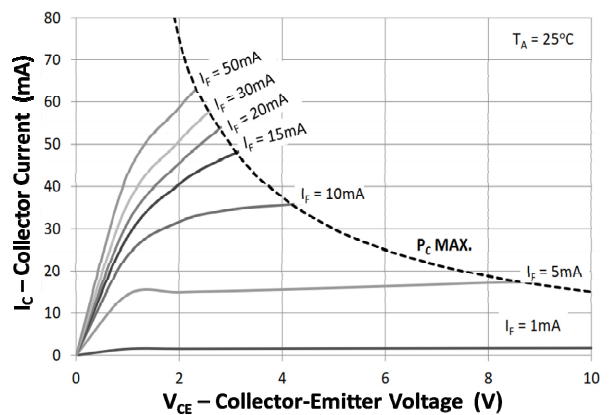


Fig 4 Collector Current vs Collector-Emitter Voltage

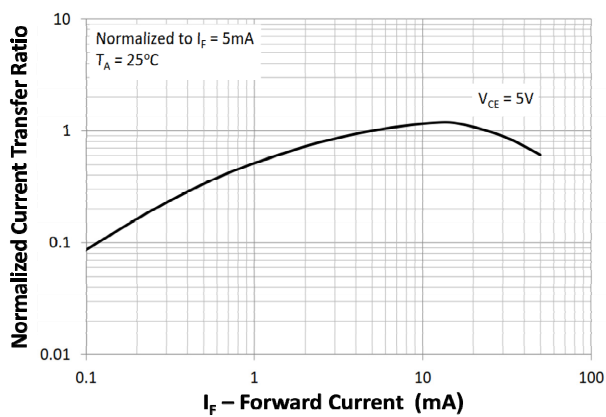


Fig 5 Normalized Current Transfer Ratio vs Forward Current

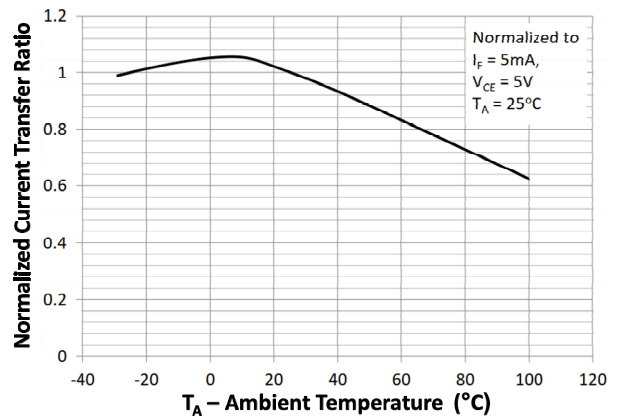


Fig 6 Normalized Current Transfer Ratio vs Ambient Temperature



TLP521, TLP521-2, TLP521-4

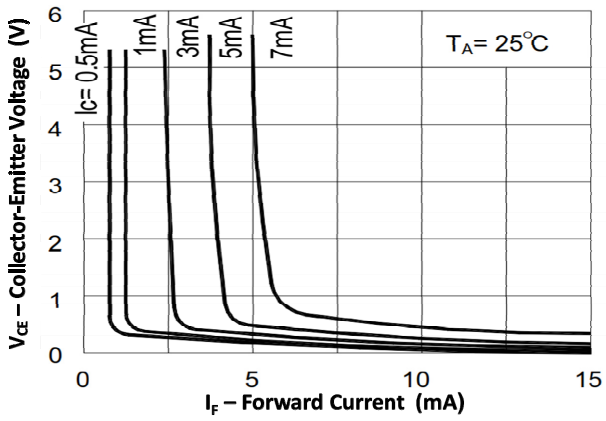


Fig 7 Collector-Emitter Voltage vs Forward Current

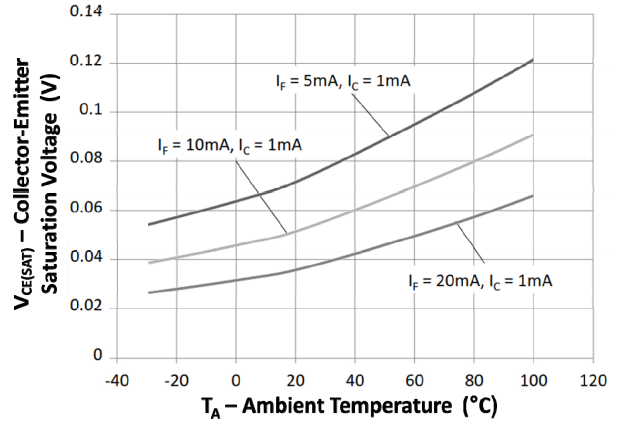


Fig 8 Collector-Emitter Voltage vs Ambient Temperature

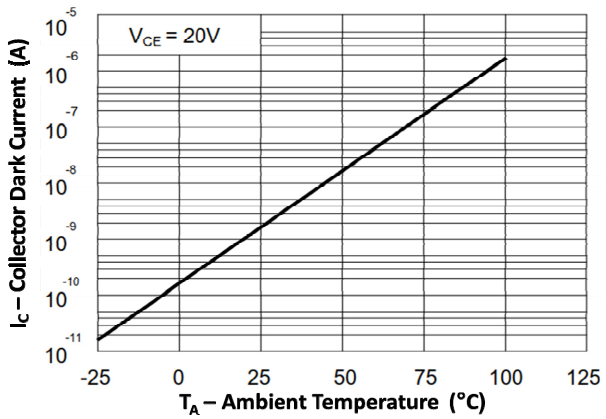


Fig 9 Collector Dark Current vs Ambient Temperature



TLP521, TLP521-2, TLP521-4

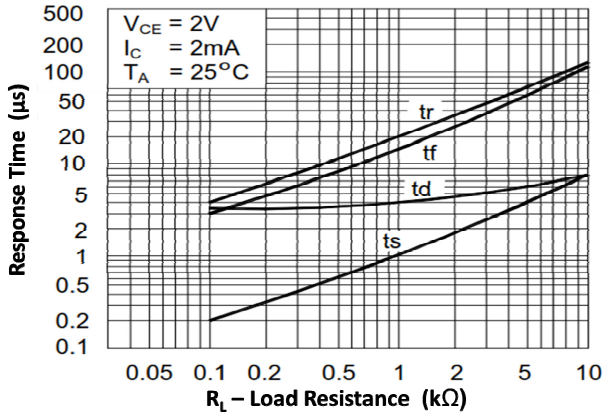
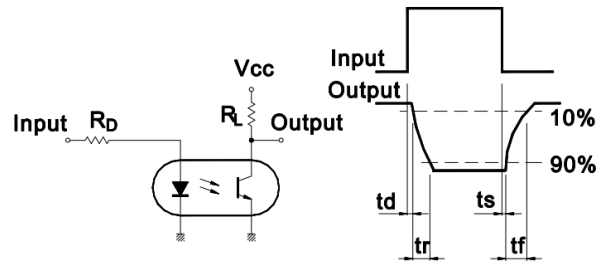


Fig 10 Response Time vs Load Resistance



Response Time Test Circuit

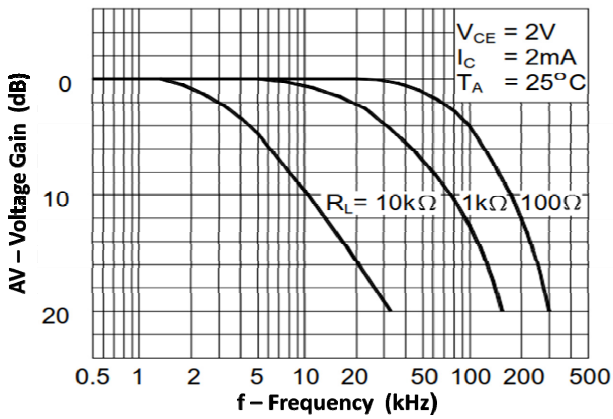
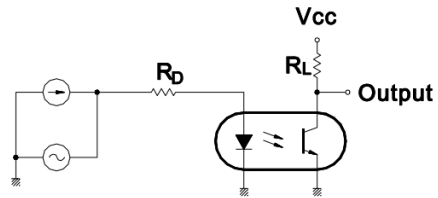


Fig 11 Frequency Response



Frequency Response Test Circuit



TLP521, TLP521-2, TLP521-4

ORDER INFORMATION

TLP521, TLP521-1 (UL Approval)			
After PN	PN	Description	Packing quantity
None	TLP521, TLP521-1 TLP521GR, TLP521-1GR TLP521BL, TLP521-1BL TLP521GB, TLP521-1GB	Standard DIP4	100 pcs per tube
G	TLP521G, TLP521-1G, TLP521GRG, TLP521-1GRG, TLP521BLG, TLP521-1BLG TLP521GBG, TLP521-1GBG	10mm Lead Spacing	100 pcs per tube
SM	TLP521SM, TLP521-1SM, TLP521GRSM, TLP521-1GRSM, TLP521BLSM, TLP521-1BLSM, TLP521GBSM, TLP521-1GBSM	Surface Mount	100 pcs per tube
SMT&R	TLP521SMT&R, TLP521-1SMT&R TLP521GRSMT&R, TLP521-1GRSMT&R, TLP521BLSMT&R, TLP521-1BLSMT&R, TLP521GBSMT&R, TLP521-1GBSMT&R	Surface Mount Tape & Reel	1000 pcs per reel

Note : Optional Order Part No. TLP521-1 for TLP521.

Devices with suffix "X" (UL and VDE approvals) may be supplied when ordering the above Part Numbers (UL approval only).



TLP521, TLP521-2, TLP521-4

ORDER INFORMATION

TLP521-2 (UL Approval)			
After PN	PN	Description	Packing quantity
None	TLP521-2, TLP521-2GR, TLP521-2BL, TLP521-2GB	Standard DIP8	50 pcs per tube
G	TLP521-2G, TLP521-2GRG, TLP521-2BLG, TLP521-2GBG	10mm Lead Spacing	50 pcs per tube
SM	TLP521-2SM, TLP521-2GRSM, TLP521-2BLSM, TLP521-2GBSM	Surface Mount	50 pcs per tube
SMT&R	TLP521-2SMT&R, TLP521-2GRSMT&R, TLP521-2BLSMT&R, TLP521-2GBSMT&R	Surface Mount Tape & Reel	1000 pcs per reel

TLP521-4 (UL Approval)			
After PN	PN	Description	Packing quantity
None	TLP521-4, TLP521-4GR, TLP521-4BL, TLP521-4GB	Standard DIP16	25 pcs per tube
G	TLP521-4G, TLP521-4GRG, TLP521-4BLG, TLP521-4GBG	10mm Lead Spacing	25 pcs per tube
SM	TLP521-4SM, TLP521-4GRSM, TLP521-4BLSM, TLP521-4GBSM	Surface Mount	25 pcs per tube

Note : Devices with suffix "X" (UL and VDE approvals) may be supplied when ordering the above Part Numbers (UL approval only).



TLP521, TLP521-2, TLP521-4

ORDER INFORMATION

TLP521X, TLP521-1X (UL and VDE Approvals)			
After PN	PN	Description	Packing quantity
None	TLP521X, TLP521-1X TLP521XGR, TLP521-1XGR TLP521XBL, TLP521-1XBL, TLP521XGB, TLP521-1XGB	Standard DIP4	100 pcs per tube
G	TLP521XG, TLP521-1XG, TLP521XGRG, TLP521-1XGRG, TLP521XBLG, TLP521-1XB LG TLP521XGBG, TLP521-1XGBG	10mm Lead Spacing	100 pcs per tube
SM	TLP521XSM, TLP521-1XSM, TLP521XGRSM, TLP521-1XGRSM, TLP521XBLSM, TLP521-1XBLSM, TLP521XGBSM, TLP521-1XGBSM	Surface Mount	100 pcs per tube
SMT&R	TLP521XSMT&R, TLP521-1XSMT&R TLP521XGRSMT&R, TLP521-1XGRSMT&R, TLP521XBLSMT&R, TLP521-1XBLSMT&R, TLP521XGBSMT&R, TLP521-1XGBSMT&R	Surface Mount Tape & Reel	1000 pcs per reel

Note : Optional Order Part No. TLP521-1X for TLP521X.



TLP521, TLP521-2, TLP521-4

ORDER INFORMATION

TLP521-2X (UL and VDE Approvals)			
After PN	PN	Description	Packing quantity
None	TLP521-2X, TLP521-2XGR, TLP521-2XBL, TLP521-2XGB	Standard DIP8	50 pcs per tube
G	TLP521-2XG, TLP521-2XGRG TLP521-2XBLG, TLP521-2XGBG	10mm Lead Spacing	50 pcs per tube
SM	TLP521-2XSM, TLP521-2XGRSM, TLP521-2XBLSM, TLP521-2XGBSM	Surface Mount	50 pcs per tube
SMT&R	TLP521-2XSMT&R, TLP521-2XGRSMT&R, TLP521-2XBLSMT&R, TLP521-2XGBSMT&R	Surface Mount Tape & Reel	1000 pcs per reel

TLP521-4X (UL and VDE Approvals)			
After PN	PN	Description	Packing quantity
None	TLP521-4X, TLP521-4XGR, TLP521-4XBL, TLP521-4XGB	Standard DIP16	25 pcs per tube
G	TLP521-4XG, TLP521-4XGRG, TLP521-4XBLG, TLP521-4XGBG	10mm Lead Spacing	25 pcs per tube
SM	TLP521-4XSM, TLP521-4XGRSM, TLP521-4XBLSM, TLP521-4XGBSM	Surface Mount	25 pcs per tube

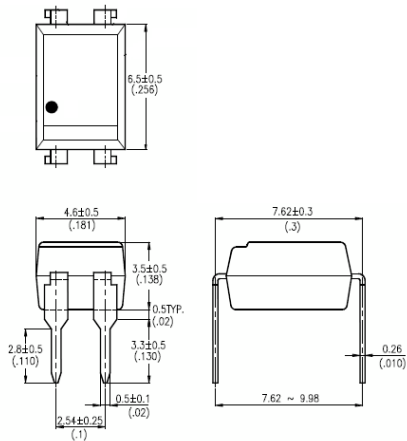


TLP521, TLP521-2, TLP521-4

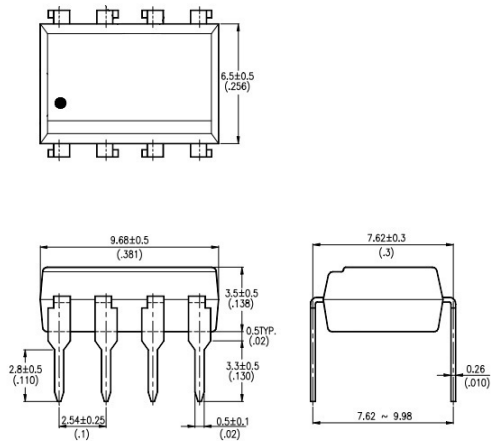
PACKAGE DIMENSIONS in mm (inch)

DIP

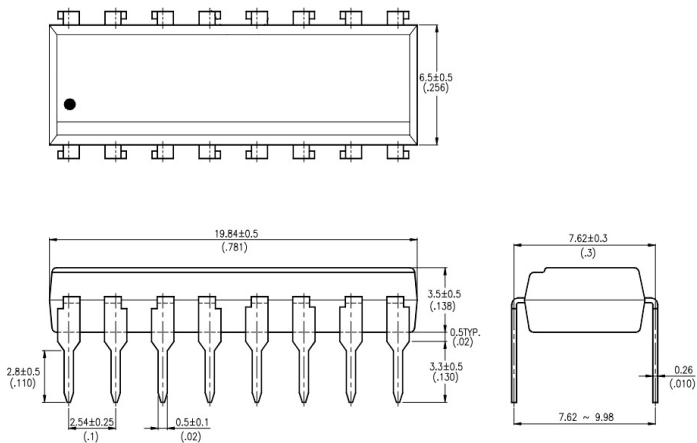
TLP521



TLP521-2



TLP521-4



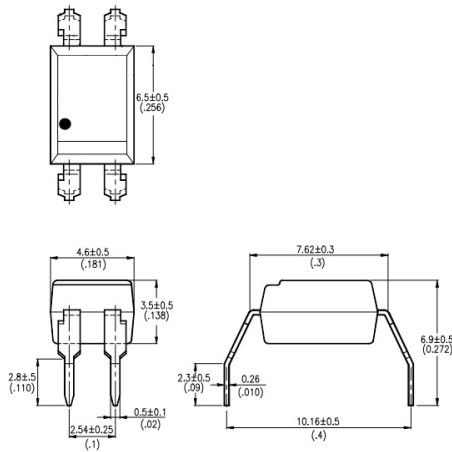


TLP521, TLP521-2, TLP521-4

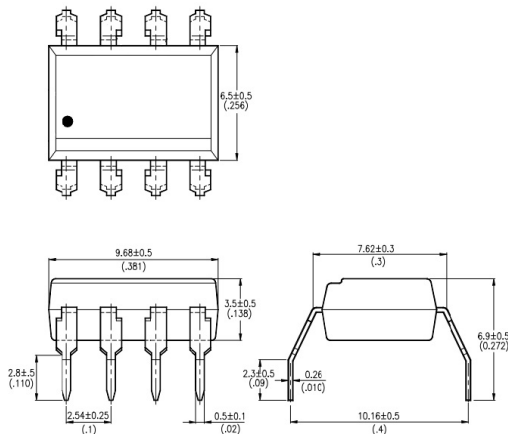
PACKAGE DIMENSIONS in mm (inch)

G Form

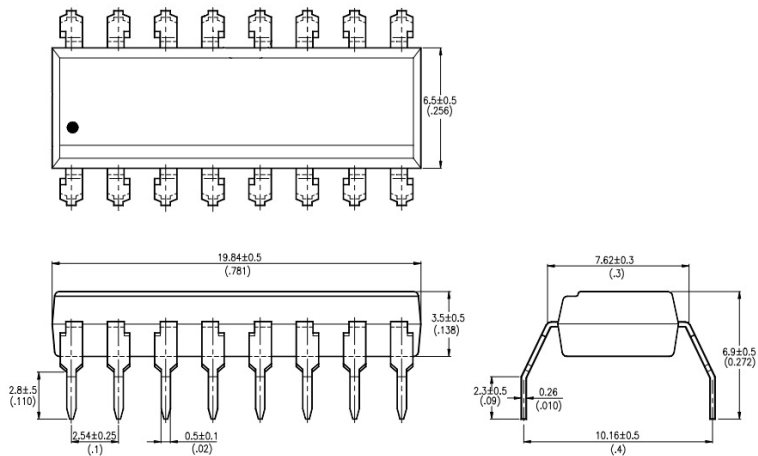
TLP521G



TLP521-2G



TLP521-4G



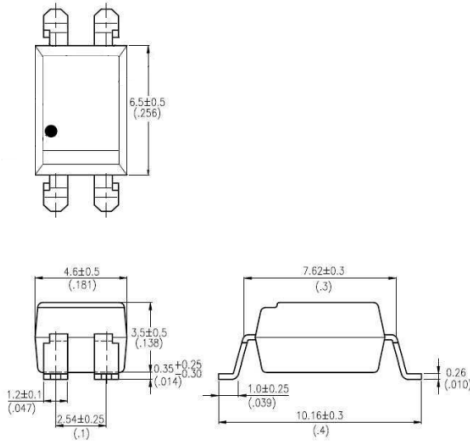


TLP521, TLP521-2, TLP521-4

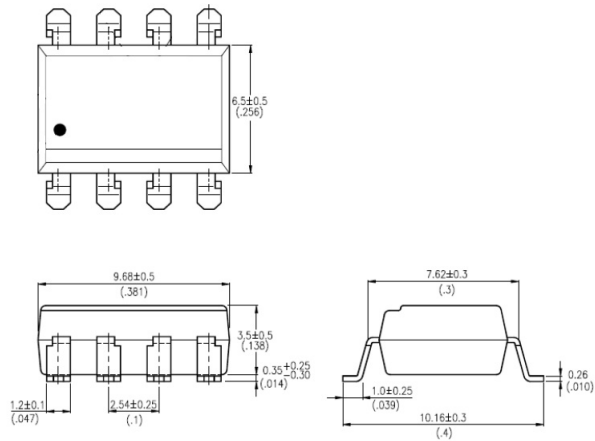
PACKAGE DIMENSIONS in mm (inch)

SMD

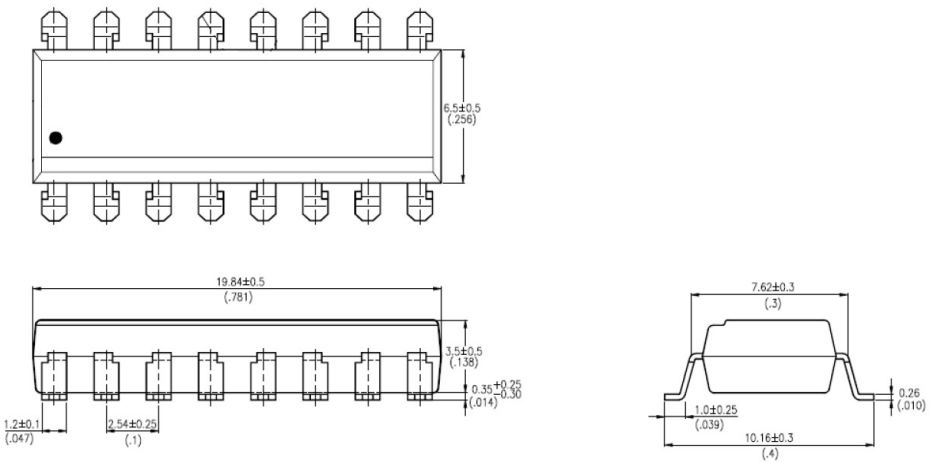
TLP521SM



TLP521-2SM



TLP521-4SM

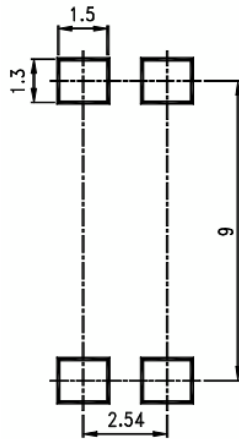




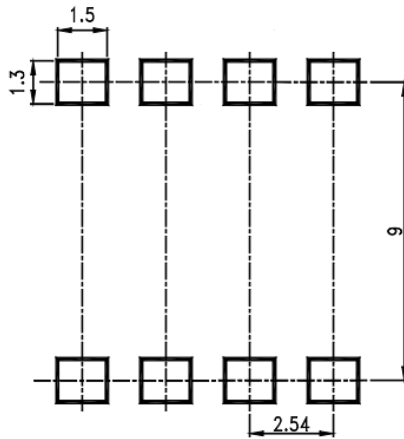
TLP521, TLP521-2, TLP521-4

RECOMMENDED PAD LAYOUT FOR SMD (mm)

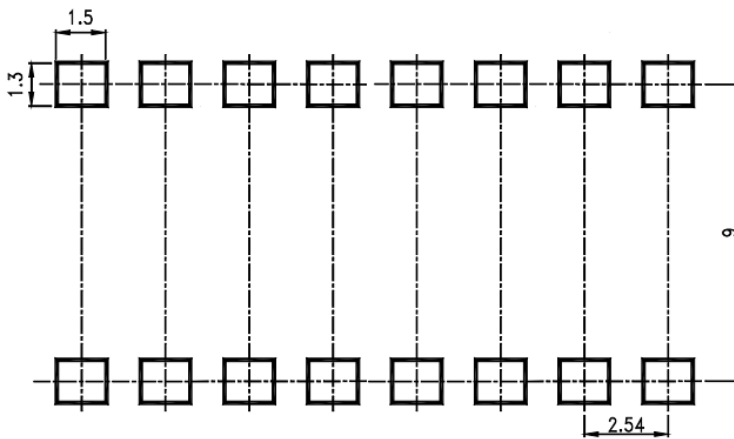
TLP521SM



TLP521-2SM



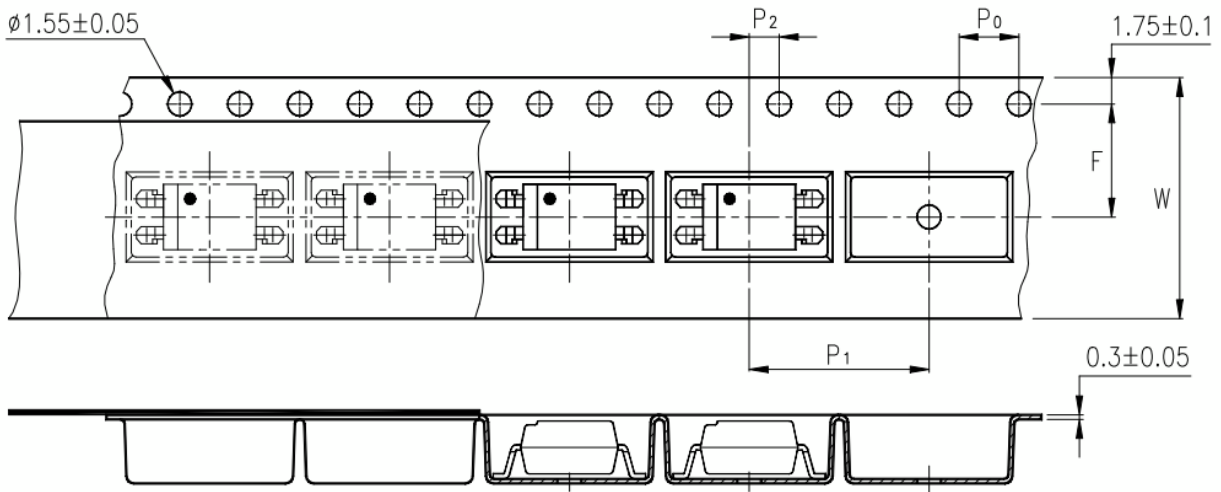
TLP521-4SM



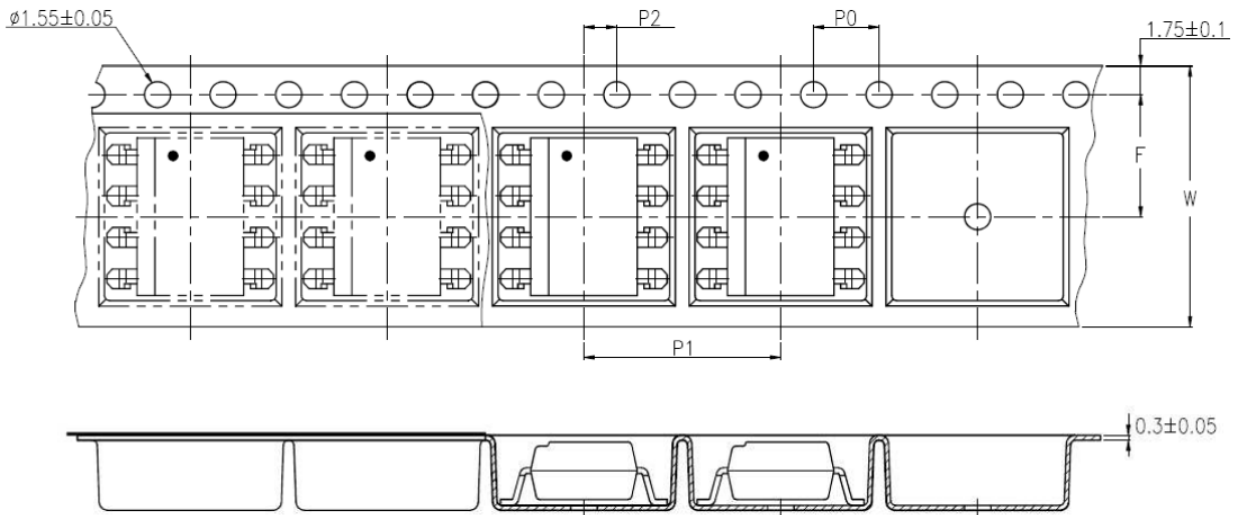


TLP521, TLP521-2, TLP521-4

TAPE AND REEL PACKAGING



TLP521SMT&R



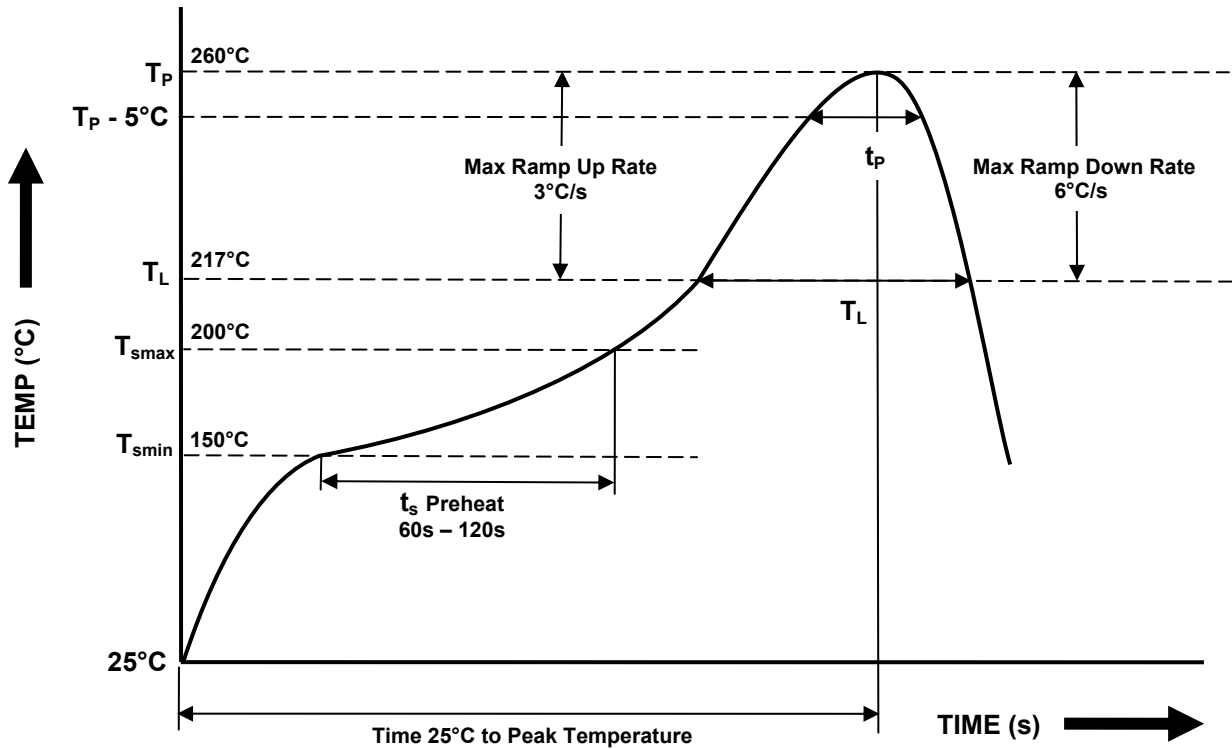
TLP521-2SMT&R

Description	Symbol	Dimensions in mm (inches)
Tape wide	W	16 ± 0.3 (.63)
Pitch of sprocket holes	P_0	4 ± 0.1 (.15)
Distance of compartment	F	7.5 ± 0.1 (.295)
Distance of compartment to compartment	P_1	2 ± 0.1 (.079)
Distance of compartment to compartment	P_1	12 ± 0.1 (.472)



TLP521, TLP521-2, TLP521-4

IR REFLOW SOLDERING TEMPERATURE PROFILE FOR SMD
 (One Time Reflow Soldering is Recommended)



Profile Details	Conditions
Preheat - Min Temperature (T_{SMIN}) - Max Temperature (T_{SMAX}) - Time T_{SMIN} to T_{SMAX} (t_s)	150°C 200°C 60s - 120s
Soldering Zone - Peak Temperature (T_P) - Time at Peak Temperature - Liquidous Temperature (T_L) - Time within 5°C of Actual Peak Temperature ($T_P - 5^\circ\text{C}$) - Time maintained above T_L (t_L) - Ramp Up Rate (T_L to T_P) - Ramp Down Rate (T_P to T_L)	260°C 10s max 217°C 30s max 60s - 100s 3°C/s max 6°C/s max
Average Ramp Up Rate (T_{smax} to T_P)	3°C/s max
Time 25°C to Peak Temperature	8 minutes max



DISCLAIMER

Isocom Components is continually working to improve the quality and reliability of its products. Nevertheless, semiconductor devices in general can malfunction or fail due to their inherent electrical sensitivity and vulnerability to physical stress. It is the responsibility of the buyer, when utilizing Isocom Components products, to comply with the standards of safety in making a safe design for the entire system, and to avoid situations in which a malfunction or failure of such Isocom Components products could cause loss of human life, bodily injury or damage to property.

In developing your designs, please ensure that Isocom Components products are used within specified operating ranges as set forth in the most recent Isocom Components products specifications.

The Isocom Components products listed in this document are intended for usage in general electronics applications (computer, personal equipment, office equipment, measuring equipment, industrial robotics, domestic appliances, etc.). These Isocom Components products are neither intended nor warranted for usage in equipment that requires extraordinarily high quality and/or reliability or a malfunction or failure of which may cause loss of human life or bodily injury ("Unintended Usage"). Unintended Usage include atomic energy control instruments, airplane or spaceship instruments, transportation Instruments, traffic signal instruments, combustion control instruments, medical Instruments, all types of safety devices, etc... Unintended Usage of Isocom Components products listed in this document shall be made at the customer's own risk.

Gallium arsenide (GaAs) is a substance used in the products described in this document. GaAs dust and fumes are toxic. Do not break, cut or pulverize the product, or use chemicals to dissolve them. When disposing of the products, follow the appropriate regulations. Do not dispose of the products with other industrial waste or with domestic garbage.

The products described in this document are subject to the foreign exchange and foreign trade laws.

The information contained herein is presented only as a guide for the applications of our products. No responsibility is assumed by Isocom Components for any infringements of intellectual property or other rights of the third parties which may result from its use. No license is granted by implication or otherwise under any intellectual property or other rights of Isocom Components or others.

The information contained herein is subject to change without notice.

OUR CERTIFICATE

DiGi provide top-quality products and perfect service for customer worldwide through standardization, technological innovation and continuous improvement. DiGi through third-party certification, we stricly control the quality of products and services. Welcome your RFQ to

Email: Info@DiGi-Electronics.com



Tel: +00 852-30501935

RFQ Email: Info@DiGi-Electronics.com

DiGi is a global authorized distributor of electronic components.