

PM1608-331M Datasheet

www.digi-electronics.com



<https://www.DiGi-Electronics.com>

DiGi Electronics Part Number	PM1608-331M-DG
Manufacturer	Bourns Inc.
Manufacturer Product Number	PM1608-331M
Description	FIXED IND 330UH 160MA 3.80HM SMD
Detailed Description	330 μ H Unshielded Drum Core, Wirewound Inductor 160 mA 3.80hm Max Nonstandard

This model PM1608-331M is available at DiGi Electronics.

DiGi Electronics offers a global database of semiconductor and electronic component datasheets.

We welcome your inquiries regarding pricing, lead time, or other product-related questions.

 [Request a Quote](#)

 [Datasheet Search](#)



Tel: +00 852-30501935

RFQ Email: Info@DiGi-Electronics.com

DiGi is a global authorized distributor of electronic components.

Purchase and inquiry

Manufacturer Product Number:

PM1608-331M

Series:

PM1608

Type:

Drum Core, Wirewound

Inductance:

330 μ H

Current Rating (Amps):

160 mA

Shielding:

Unshielded

Q @ Freq:

-

Ratings:

-

Inductance Frequency - Test:

100 kHz

Package / Case:

Nonstandard

Size / Dimension:

0.260" L x 0.175" W (6.60mm x 4.45mm)

Base Product Number:

PM1608

Manufacturer:

Bourns Inc.

Product Status:

Obsolete

Material - Core:

Ferrite

Tolerance:

\pm 20%

Current - Saturation (Isat):

180mA

DC Resistance (DCR):

3.80hm Max

Frequency - Self Resonant:

-

Operating Temperature:

-40°C ~ 85°C

Mounting Type:

Surface Mount

Supplier Device Package:

-

Height - Seated (Max):

0.115" (2.92mm)

Environmental & Export classification

RoHS Status:

RoHS non-compliant

REACH Status:

REACH Unaffected

HTSUS:

8504.50.8000

Moisture Sensitivity Level (MSL):

1 (Unlimited)

ECCN:

EAR99

SMT Power Inductors

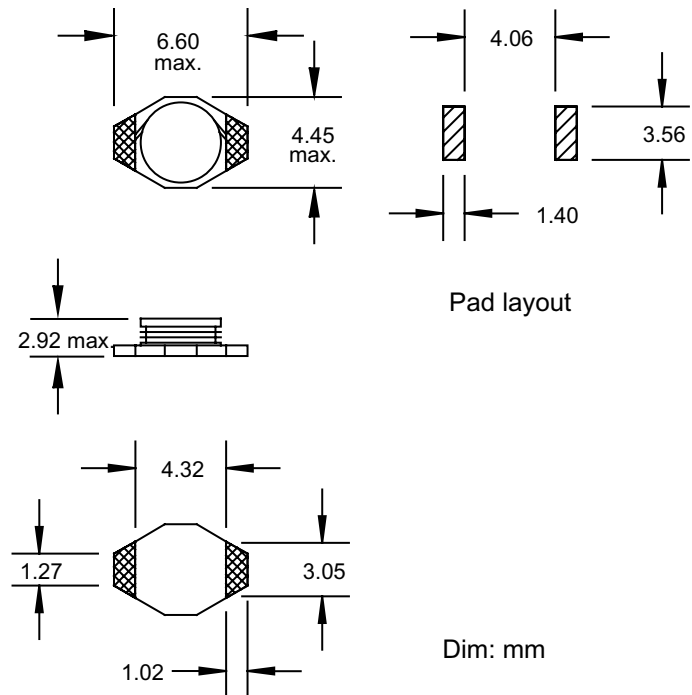
Special Features

- High energy storage capacity
- Low DCR
- Ferrite bobbin core
- Low profile, miniature size
- High heat resistance, ideal for reflow soldering
- High reliability
- Test frequency 100KHz
- Operating temperature -40 to +85°C
- Saturation current to cause 10% inductance drop
- Rms current to cause 15°C temperature rise
- Tape & reel packaged 750/reel

Typical Applications

- Small cell phones
- PDAs
- Pagers
- Flash memory programmers
- Notebook computers
- Battery chargers
- DC-DC converters
- Network cards
- Switching boards
- Industrial electronics
- Entertainment electronic devices

PM1608 Series				
Part Number	L (uH) ± 20%	DCR (Ω) Max.	I _{sat} (A)	I _{rms} (A)
PM1608-1R0M	1.0	0.05	2.90	2.90
PM1608-1R5M	1.5	0.05	2.60	2.80
PM1608-2R2M	2.2	0.07	2.30	2.40
PM1608-3R3M	3.3	0.08	2.00	2.00
PM1608-4R7M	4.7	0.09	1.50	1.50
PM1608-6R8M	6.8	0.13	1.20	1.40
PM1608-100M	10	0.16	1.10	1.10
PM1608-150M	15	0.23	0.90	1.20
PM1608-220M	22	0.37	0.70	0.80
PM1608-330M	33	0.51	0.58	0.60
PM1608-470M	47	0.64	0.50	0.50
PM1608-680M	68	0.86	0.40	0.40
PM1608-101M	100	1.27	0.31	0.30
PM1608-151M	150	2.00	0.27	0.25
PM1608-221M	220	2.65	0.22	0.20
PM1608-331M	330	3.80	0.18	0.16
PM1608-471M	470	5.06	0.16	0.15
PM1608-681M	680	9.20	0.14	0.12
PM1608-102M	1000	13.8	0.10	0.07



J.W. Miller
MAGNETICS

306 E. Alondra Blvd., Gardena, CA 90247-1059 • (310) 515-1720 • FAX (310) 515-1962

www.jwmiller.com

OUR CERTIFICATE

DiGi provide top-quality products and perfect service for customer worldwide through standardization, technological innovation and continuous improvement. DiGi through third-party certification, we stricy control the quality of products and services. Welcome your RFQ to

Email: Info@DiGi-Electronics.com



Tel: +00 852-30501935

RFQ Email: Info@DiGi-Electronics.com

DiGi is a global authorized distributor of electronic components.