

# PM5022S-331M Datasheet

[www.digi-electronics.com](http://www.digi-electronics.com)



<https://www.DiGi-Electronics.com>

DiGi Electronics Part Number	PM5022S-331M-DG
Manufacturer	<a href="#">Bourns Inc.</a>
Manufacturer Product Number	PM5022S-331M
Description	FIXED IND 330UH 860MA 780MOHM SM
Detailed Description	330 $\mu$ H Shielded Drum Core, Wirewound Inductor 8 60 mA 780mOhm Max Nonstandard

This model PM5022S-331M is available at DiGi Electronics.

DiGi Electronics offers a global database of semiconductor and electronic component datasheets.

We welcome your inquiries regarding pricing, lead time, or other product-related questions.

 [Request a Quote](#)

 [Datasheet Search](#)



Tel: +00 852-30501935

RFQ Email: [Info@DiGi-Electronics.com](mailto:Info@DiGi-Electronics.com)

DiGi is a global authorized distributor of electronic components.

## Purchase and inquiry

Manufacturer Product Number:

PM5022S-331M

Series:

PM5022S

Type:

Drum Core, Wirewound

Inductance:

330  $\mu$ H

Current Rating (Amps):

860 mA

Shielding:

Shielded

Q @ Freq:

-

Ratings:

-

Inductance Frequency - Test:

100 kHz

Package / Case:

Nonstandard

Size / Dimension:

0.732" L x 0.602" W (18.60mm x 15.30mm)

Base Product Number:

PM5022S

Manufacturer:

Bourns Inc.

Product Status:

Obsolete

Material - Core:

Ferrite

Tolerance:

$\pm$ 20%

Current - Saturation (Isat):

1.1A

DC Resistance (DCR):

780mOhm Max

Frequency - Self Resonant:

-

Operating Temperature:

-40°C ~ 85°C

Mounting Type:

Surface Mount

Supplier Device Package:

-

Height - Seated (Max):

0.299" (7.60mm)

## Environmental & Export classification

RoHS Status:

RoHS non-compliant

REACH Status:

REACH Unaffected

HTSUS:

8504.50.4000

Moisture Sensitivity Level (MSL):

1 (Unlimited)

ECCN:

EAR99

## Shielded, SMT Power Inductors

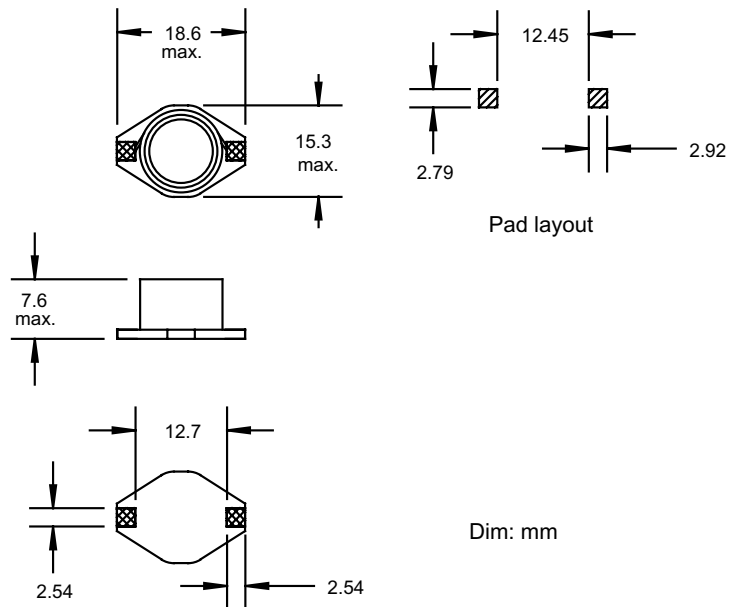
### Special Features

- High current capacity
- Magnetically shielded
- Low DCR
- Ferrite bobbin core
- Compact size
- High heat resistance, ideal for reflow soldering
- High reliability
- Test frequency 100KHz
- Operating temperature -40 to +85°C
- Saturation current to cause 10% inductance drop
- Rms current to cause 40°C temperature rise
- Tape & reel packaged 250/reel

### Typical Applications

- High reliability, low magnetic coupling and densely packed board design
- Small cell phones
- PDAs
- Pagers
- Flash memory programmers
- Notebook computers
- Battery chargers
- DC-DC converters
- Network cards
- Switching boards
- Industrial electronics
- Entertainment electronic devices

PM5022S Series				
Part Number	L (uH) ± 20%	DCR (Ω) Max.	I, sat. (A)	I, rms (A)
PM5022S-100M	10	0.04	8.0	3.9
PM5022S-150M	15	0.048	7.0	3.4
PM5022S-220M	22	0.059	6.0	3.1
PM5022S-330M	33	0.075	5.0	2.8
PM5022S-470M	47	0.097	4.0	2.4
PM5022S-680M	68	0.138	3.0	2.0
PM5022S-101M	100	0.207	2.4	1.7
PM5022S-151M	150	0.293	2.1	1.3
PM5022S-221M	220	0.47	1.9	1.1
PM5022S-331M	330	0.78	1.1	0.86
PM5022S-471M	470	1.08	1.1	0.73
PM5022S-681M	680	1.4	0.96	0.64
PM5022S-102M	1000	2.01	0.8	0.53



**J.W. Miller**  
M A G N E T I C S

306 E. Alondra Blvd., Gardena, CA 90247-1059 • (310) 515-1720 • FAX (310) 515-1962

[www.jwmiller.com](http://www.jwmiller.com)

## OUR CERTIFICATE

DiGi provide top-quality products and perfect service for customer worldwide through standardization, technological innovation and continuous improvement. DiGi through third-party certification, we stricy control the quality of products and services. Welcome your RFQ to

Email: [Info@DiGi-Electronics.com](mailto:Info@DiGi-Electronics.com)



Tel: +00 852-30501935

RFQ Email: [Info@DiGi-Electronics.com](mailto:Info@DiGi-Electronics.com)

DiGi is a global authorized distributor of electronic components.