

TC89P-1-503 Datasheet



DiGi Electronics Part Number	TC89P-1-503-DG
Manufacturer	Bourns Inc.
Manufacturer Product Number	TC89P-1-503
Description	TRIMMER 50K OHM 0.5W PC PIN TOP
Detailed Description	50 kOhms 0.5W, 1/2W PC Pins Through Hole Trimmer Potentiometer Cermet 1.0 Turn Top Adjustment

<https://www.DiGi-Electronics.com>

This model TC89P-1-503 is available at DiGi Electronics.

DiGi Electronics offers a global database of semiconductor and electronic component datasheets.

We welcome your inquiries regarding pricing, lead time, or other product-related questions.

 [Request a Quote](#)

 [Datasheet Search](#)



Tel: +00 852-30501935

RFQ Email: Info@DiGi-Electronics.com

DiGi is a global authorized distributor of electronic components.

Purchase and inquiry

Manufacturer Product Number:

TC89P-1-503

Series:

Trimpot® TC89 - Open Frame

Resistance:

50 kOhms

Tolerance:

±20%

Number of Turns:

1

Resistive Material:

Cermet

Termination Style:

PC Pins

Base Product Number:

TC89P

Manufacturer:

Bourns Inc.

Product Status:

Obsolete

Power (Watts):

0.5W, 1/2W

Temperature Coefficient:

±250ppm/°C

Adjustment Type:

Top Adjustment

Mounting Type:

Through Hole

Size / Dimension:

Rectangular - 0.453" x 0.346" Face (11.50mm x 8.80mm)

Environmental & Export classification

RoHS Status:

ROHS3 Compliant

REACH Status:

REACH Unaffected

HTSUS:

8533.40.8050

Moisture Sensitivity Level (MSL):

1 (Unlimited)

ECCN:

EAR99

AVAILABLE THROUGH DISTRIBUTION



BOURNS®

TC89 9 mm Round Trimming Potentiometer

Features

- 9 mm Round / Single-Turn / Cermet Industrial / Open Frame
- Both sides adjust
- Horizontal and vertical mounting styles
- Dust resistant/splash resistant covers
- PC board stand-offs
- RoHS compliant*

OBSOLETE

Electrical Characteristics

Standard Resistance Range100 ohms to 1 megohm
 (see standard resistance table)
 Resistance Tolerance±20 % std.
 Absolute Minimum Resistance
 ≤500 Ohms10 ohms max.
 >500 Ohms2 % max. of TR
 Contact Resistance Variation5 % max.
 ResolutionInfinite
 Adjustment Angle270 ° ±15 °

Environmental Characteristics

Power Rating (250 VDC max.)
 70 °C0.5 watt
 Temperature Range.....-30 °C to +100 °C
 Temperature Coefficient±250 ppm/°C
 Humidity95 % RH
 TRS ±5 %
 Load Life.....500 hours @ 70 °C
 TRS ±5 %
 Rotational Cycling.....50 cycles
 TRS ±10 %

Physical Characteristics

Torque50-350 gf-cm
 Mechanical Angle270 ° ±15 °
 Marking.....Part marking code
 Standard Packaging200 pcs./bag
 Adjustment ToolH-90
 Aqueous cleaning not recommended

Standard Resistance Table

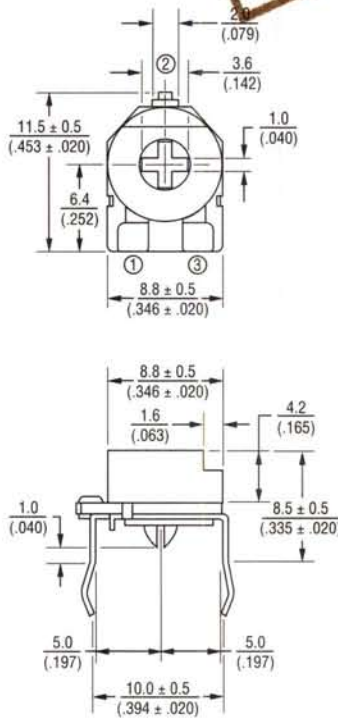
Resistance (Ohms)	Resistance Code
100	101
200	201
500	501
1,000	102
2,000	202
5,000	502
10,000	103
20,000	203
50,000	503
100,000	104
200,000	204
500,000	504
1,000,000	105

Popular distribution resistance values listed in **boldface**.

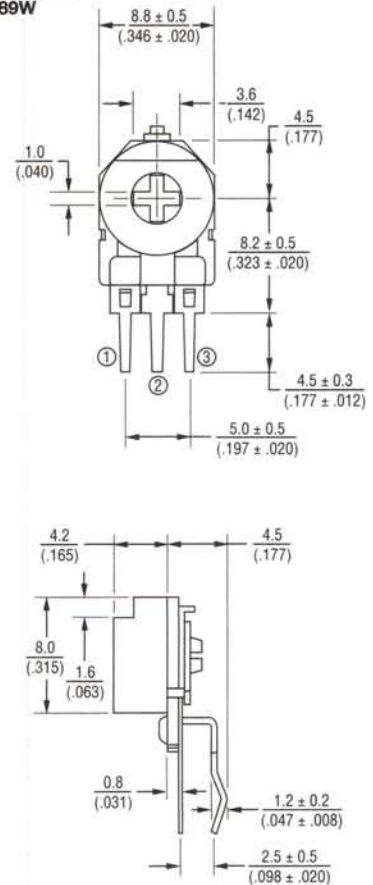
Specifications are subject to change without notice.
 *RoHS Directive 2002/95/EC Jan 27 2003 including Annex.
 Customers should verify actual device performance in their specific applications. REV 09/04

Product Dimensions

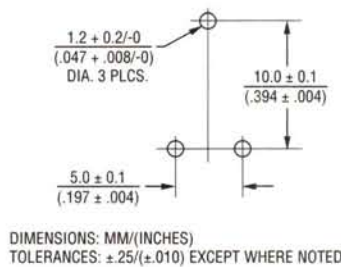
Top Adjust
TC89P



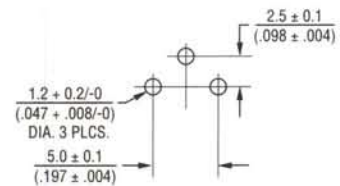
Side Adjust
TC89W



Suggested PCB Layout



Suggested PCB Layout



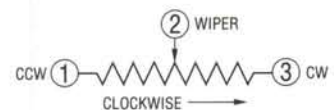
How To Order

Model TC89 P - 1 - 103

Style _____

Standard Product Indicator _____

Resistance Code _____



OUR CERTIFICATE

DiGi provide top-quality products and perfect service for customer worldwide through standardization, technological innovation and continuous improvement. DiGi through third-party certification, we strictly control the quality of products and services. Welcome your RFQ to

Email: Info@DiGi-Electronics.com



Tel: +00 852-30501935

RFQ Email: Info@DiGi-Electronics.com

DiGi is a global authorized distributor of electronic components.