



# D4T2-M1AE Datasheet

DiGi Electronics Part Number	PS-50PE-D4T2-M1AE-DG
Manufacturer	<a href="#">JAE Electronics</a>
Manufacturer Product Number	PS-50PE-D4T2-M1AE
Description	CONN HEADER VERT 50POS 2.54MM

<https://www.DiGi-Electronics.com>

## Detailed Description

Connector Header Through Hole 50 position 0.100" (2.54mm)

This model PS-50PE-D4T2-M1AE is available at [DiGi Electronics](#).

DiGi Electronics offers a global database of semiconductor and electronic component datasheets.

We welcome your inquiries regarding pricing, lead time, or other product-related questions.

 [Request a Quote](#)

 [Datasheet Search](#)

Tel: +00 852-30501935

RFQ Email: [Info@DiGi-Electronics.com](mailto:Info@DiGi-Electronics.com)

DiGi is a global authorized distributor of electronic components.

## Purchase and inquiry

Manufacturer Product Number:

PS-50PE-D4T2-M1AE

Series:

PS

Connector Type:

Header

Pitch - Mating:

0.100" (2.54mm)

Number of Rows:

2

Number of Positions Loaded:

All

Shrouding:

Shrouded - 4 Wall

Termination:

Solder

Contact Length - Mating:

0.236" (6.00mm)

Overall Contact Length:

0.657" (16.70mm)

Contact Shape:

Manufacturer:

JAE Electronics

Product Status:

Active

Contact Type:

Male Pin

Number of Positions:

50

Row Spacing - Mating:

0.100" (2.54mm)

Style:

Board to Cable/Wire

Mounting Type:

Through Hole

Fastening Type:

Latch Lock/Eject Hooks, Long

Contact Length - Post:

0.130" (3.30mm)

Insulation Height:

0.681" (17.30mm)

Contact Finish - Mating:

# PS-50PE-D4T2-M1AE JAE Electronics CONN HEADER VERT 50POS 2.54MM

SJ101472  
(DRAWING NO.)

版数 REV.	年月日 DATE	DCN NO.	変更内容 DESCRIPTION	製図 DR.	担当 CHK.	査閲 APPD.	承認 APPD.
2	28.Oct.2010	070905	REVISED POST MATERIAL	M.SAITOU	N.UCHIYAMA		Y. MITSUWAKA

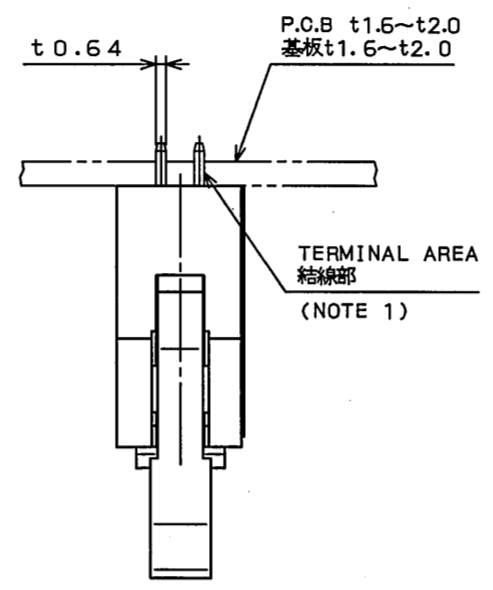
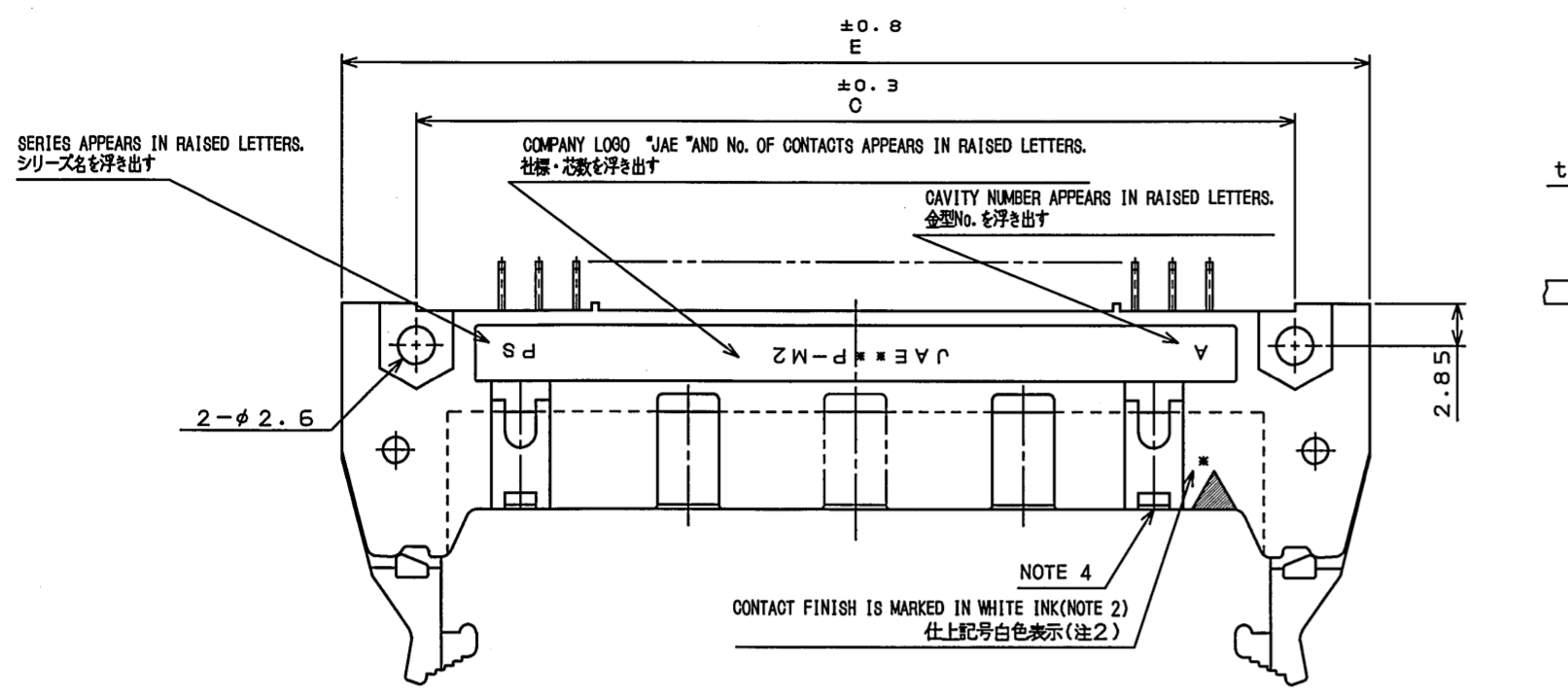


TABLE 1 PART No. OF CONTACTS AND DIMENSIONS  
表1 名称、芯数及び寸法A、B、C、D、E

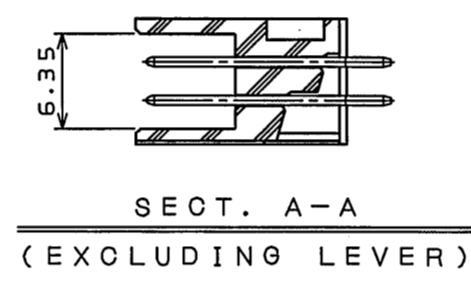
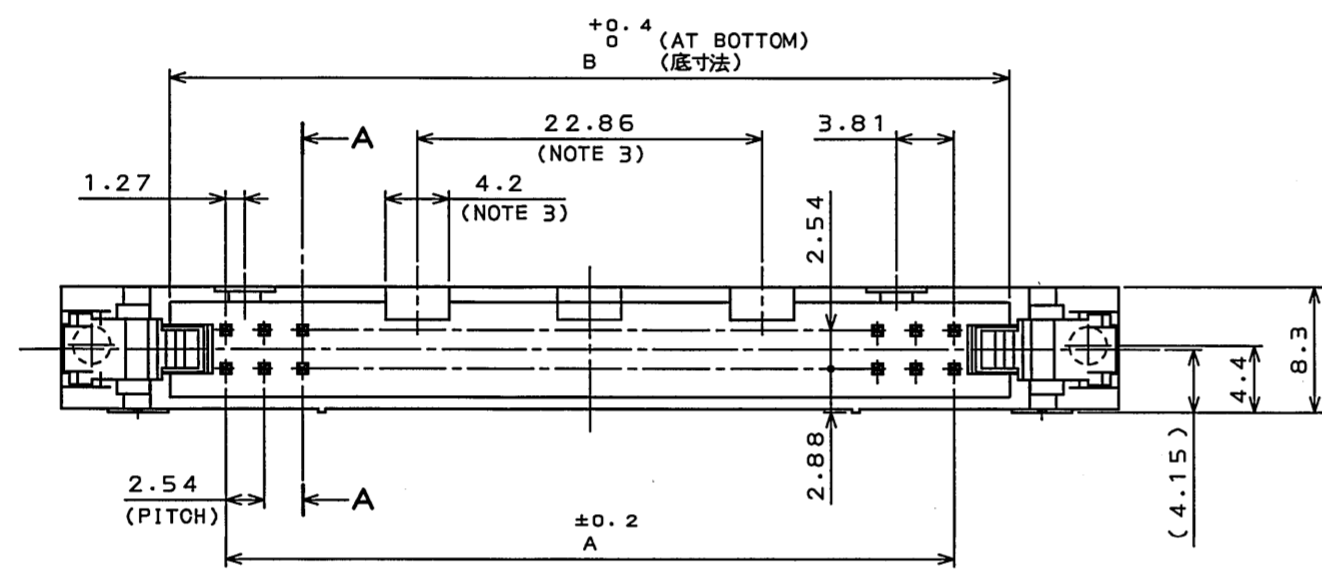
PART No. 名称	No. OF CONTACTS 芯数	A	B	C	D	E
PS-10PE-D4T*-M*AE	10	10.16	17.53	21.84	27.94	32
PS-50PE-D4T*-M*AE	50	60.96	68.33	72.64	78.74	82.8
PS-60PE-D4T*-M*AE	60	73.66	81.03	85.34	91.44	95.5

TABLE 2 CONTACT FINISH  
表2 仕上

FINISH 仕上	CONTACT AREA 接触部	1	2	3
		GOLD(0.1μm MIN.) OVER NICKEL Ni上Au0.1μm以上	GOLD(0.3μm MIN.) OVER NICKEL Ni上Au0.3μm以上	GOLD(0.75μm MIN.) OVER NICKEL Ni上Au0.75μm以上
	TERMINAL AREA 結線部	(LEAD FREE)TIN/TIN ALLOY OVER NICKEL Ni上錫又は錫合金(無鉛)		

TABLE 3 TERMINAL LENGTH  
表3 結線部長さ

*	1	2
F	2.8	3.3



NOTE1. THE FOUR CORNERS OF TERMINAL AREA SHALL BE BASHED TO BE INSERTED INTO 0.7 mm DIAMETER CAVITY.  
2. CONTACT FINISH IS MARKED IN WHITE INK.

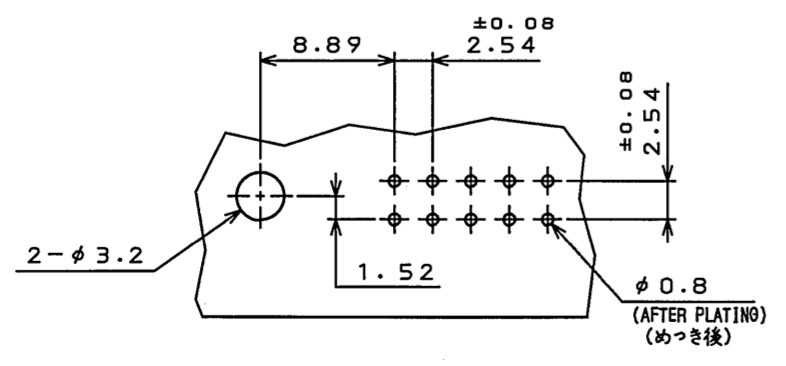
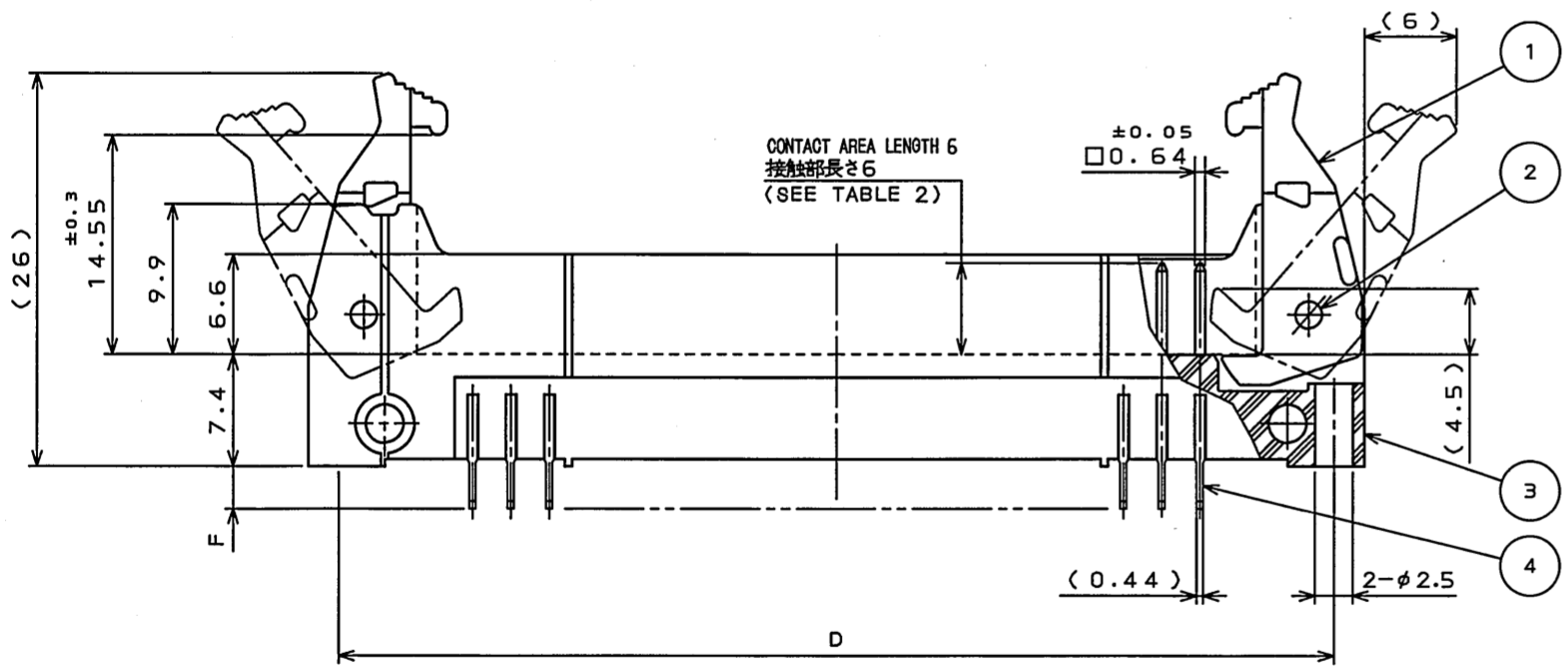
*	MARKING
1	NONE
2	2 MARKED IN WHITE INK
3	3 MARKED IN WHITE INK

3. FOR 50- AND 60-CONTACT CONNECTORS, TWO SYMMETRICAL POLARIZING KEYWAYS BETWEEN WHICH DISTANCE IS 22.86 mm ARE PROVIDED. FOR 10-CONTACT CONNECTOR, ONE POLARIZING KEYWAY IS PROVIDED AT THE CENTER OF THE CONNECTOR.  
4. TWO POLARIZING KEYS ARE PROVIDED. NO POLARIZING KEY IS PROVIDED FOR 10-POSITION CONNECTOR.

注1. 結線部は0.64×0.44を四隅面打しφ0.7に挿入できる。  
2. 仕上記号白色捺印

仕上記号*	表示
1	無表示
2	2を白色捺印
3	3を白色捺印

3. 誤挿入防止溝を50, 60芯はセンター振り分けにて22.86の間隔で2ヶ所、10芯はセンターに1ヶ所設ける。  
4. 極性キイ取付部を2ヶ所設ける。但し、10芯は設けない。



P.C.B. HOLE PATTERNS (REF.)  
基板取付寸法(参考)

### DESIGNATION 命名法

PS-\*\*\*PE-D4T\*-M\*AE  
 (LEAD FREE)TIN/TIN ALLOY  
 錫又は錫合金(無鉛)  
 MODIFICATION CODE  
 誤挿入防止溝 形態  
 FINISH(SEE TABLE 2)  
 仕上(表2参照)  
 PIN HEADER WITH LATCH(WITH POLARIZING KEY)  
 ロック付ピンヘッダ(極性キイ付)  
 TERMINAL AREA LENGTH(SEE TABLE 3)  
 結線部長さ(表3参照)  
 THROUGH HOLE(TERMINATION)  
 スルーホール(ターミネーション)  
 DOUBLE ROW 2.54mm SPACE  
 2列2.54ピッチ  
 CONTACT AREA LENGTH  
 接触部長さ  
 PIN SIDE  
 ピン側  
 No. OF CONTACTS(SEE TABLE 1)  
 芯数(表1参照)  
 SERIES  
 シリーズ名

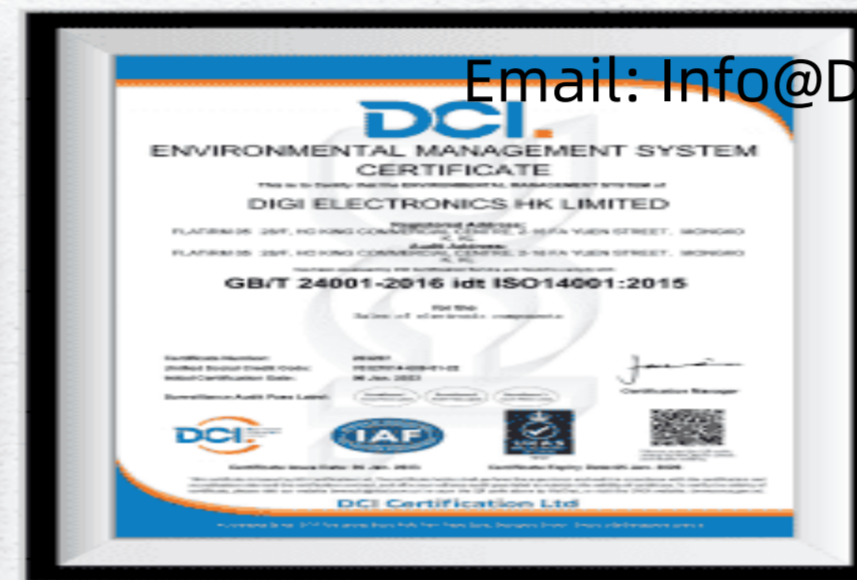
4	POST	TABLE1	COPPER ALLOY	SEE TABLE 2	
3	INSULATOR	1	P. B. T		UL94V-0 COLOR:BLACK
2	SPRING PIN	2	STAINLESS STEEL	PASSIVATE	
1	LEVER	2	NYLON		UL94V-0 COLOR:BLACK

符号 NO.	名称 DESCRIPTION	個数 QTY.	材料 MATERIAL	仕上 FINISH	備考 REMARKS
仕様書(SPECIFICATION)		第1版(ORIGINAL DATE) 29.Dec.2004	製図 DR. H.SAKURADA	シリーズ(SERIES) PS	日本航空電子工業株式会社
公差(GENERAL TOLERANCE)		製図 CHK. N.UCHIYAMA	名称(TITLE) JAE CONNECTOR REFERENCE		
寸法(DIMENSION)		深限 APPD. Y.YAHIRO	PS-***PE-D4T*-M*AE		
角度(ANGLES)		承認 APPD. K.HISATOMI	PIN HEADER		
. ±0.8		質量(MASS)			
.X ±0.4		図面番号(DRAWING NO.) SJ101472			
.XX ±0.1		版数(REV.) 2			
.XXX ±					

# OUR CERTIFICATE

DiGi provide top-quality products and perfect service for customer worldwide through standardization, technological innovation and continuous improvement. DiGi through third-party certification, we striciy control the quality of products and services. Welcome your RFQ to

Email: [Info@DiGi-Electronics.com](mailto:Info@DiGi-Electronics.com)



Tel: +00 852-30501935

RFQ Email: [Info@DiGi-Electronics.com](mailto:Info@DiGi-Electronics.com)

DiGi is a global authorized distributor of electronic components.