

B24B-PADSS(LF)(SN) Datasheet



<https://www.DiGi-Electronics.com>

DiGi Electronics Part Number	B24B-PADSS(LF)(SN)-DG
Manufacturer	JST Sales America Inc.
Manufacturer Product Number	B24B-PADSS(LF)(SN)
Description	CONN HEADER VERT 24POS 2MM
Detailed Description	Connector Header Through Hole 24 position 0.079" (2.00mm)

This model B24B-PADSS(LF)(SN) is available at DiGi Electronics.

DiGi Electronics offers a global database of semiconductor and electronic component datasheets.

We welcome your inquiries regarding pricing, lead time, or other product-related questions.

 [Request a Quote](#)

 [Datasheet Search](#)



Tel: +00 852-30501935

RFQ Email: Info@DiGi-Electronics.com

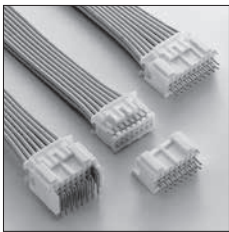
DiGi is a global authorized distributor of electronic components.

Purchase and inquiry

Manufacturer Product Number:	B24B-PADSS(LF)(SN)	Manufacturer:	JST Sales America Inc.
Series:	PAD	Product Status:	Obsolete
Connector Type:	Header	Contact Type:	Male Pin
Pitch - Mating:	0.079" (2.00mm)	Number of Positions:	24
Number of Rows:	2	Row Spacing - Mating:	0.079" (2.00mm)
Number of Positions Loaded:	All	Style:	Board to Cable/Wire
Shrouding:	Shrouded - 4 Wall	Mounting Type:	Through Hole
Termination:	Solder	Fastening Type:	Locking Ramp
Contact Length - Mating:	-	Contact Length - Post:	0.134" (3.40mm)
Overall Contact Length:	-	Insulation Height:	0.402" (10.20mm)
Contact Shape:	Square	Contact Finish - Mating:	Tin
Contact Finish Thickness - Mating:	-	Contact Finish - Post:	Tin
Contact Material:	Copper Alloy	Insulation Material:	Polyamide (PA66), Nylon 6/6, Glass Filled
Features:	-	Operating Temperature:	-25°C ~ 85°C
Ingress Protection:	-	Material Flammability Rating:	UL94 V-0
Insulation Color:	Natural	Current Rating (Amps):	3A
Voltage Rating:	250V	Mated Stacking Heights:	12.4mm
Contact Finish Thickness - Post:	-	Applications:	-

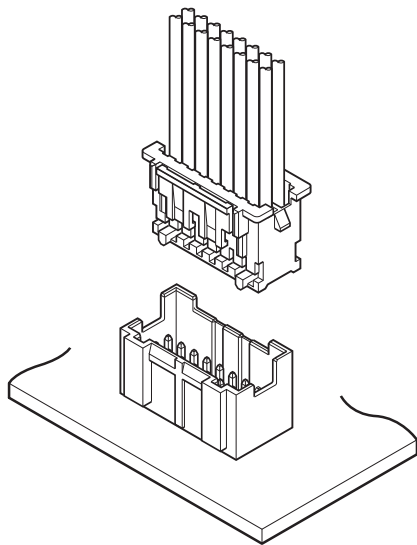
Environmental & Export classification

RoHS Status:	DiGi is a global authorized distributor	Moisture Sensitivity Level (MSL):	1 (Unlimited)
ROHS3 Compliant:		HTSUS:	
ECCN:			



PAD CONNECTOR

2.0 mm pitch/Wire-to-Board connectors/Crimp style and Mating style



This is a 2.0 mm pitch wire-to-board connector with dual-row structure and secure locking mechanism.

- Secure lock mechanism
- High reliability contact
- Insertion guide structure
- Polarity bosses are available.

Standards

Ⓜ : Recognized E 60389

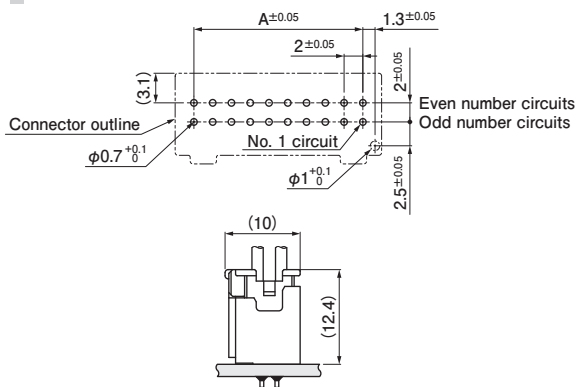
△ : R50053749

Specifications

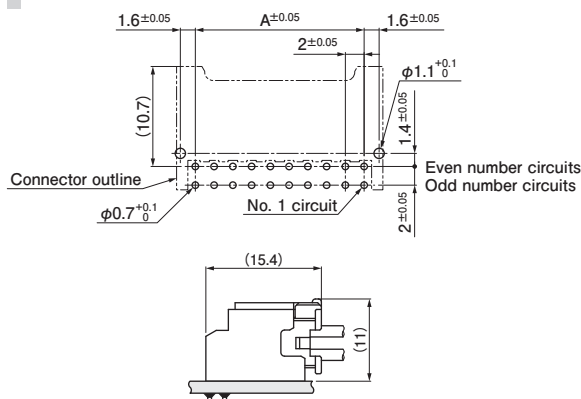
- Current rating: 3 A AC/DC (AWG #22)
 - Voltage rating: 250 V AC/DC
 - Temperature range: -25°C to +85°C
(including temperature rise in applying electrical current)
 - Contact resistance:
 - Initial value/ 10 mΩ max.
 - After environmental tests/ 20 mΩ max.
 - Insulation resistance: 1,000 MΩ min.
 - Withstanding voltage:
 - There shall be no breakdown or flashover while applying 800 VAC for one minute.
 - Applicable wire range:
 - Conductor size/ AWG #28 to AWG #22
 - Insulation O.D./ ϕ 0.76 mm to ϕ 1.5 mm
 - Applicable PC board thickness: 1.6 mm
- * In using the products, refer to "Handling Precautions for Terminals and Connectors" described on our website (Technical documents of Product information page).
- * RoHS2 compliance
- * Dimensional unit: mm
- * Contact JST for details.

PC board layout and Assembly layout

Top entry type



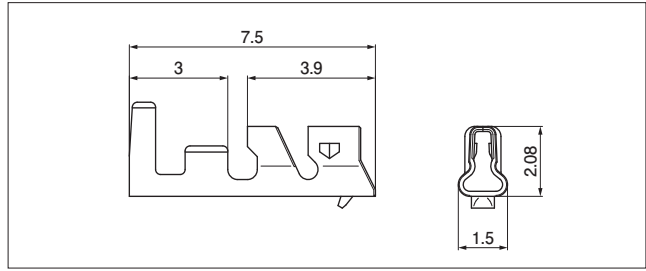
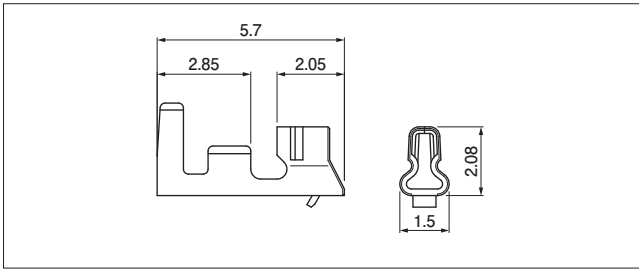
Side entry type



- Note: 1. The figure of PC board layout is the figure viewed from the connector mounting side.
 2. Dimension A: See "Header" section on page 3.
 3. Tolerance for the PCB hole pitch shall be ± 0.05 , and shall not accumulate more than ± 0.05 .
 4. Hole dimensions differ according to the type of PC board and piercing method.
 5. Please contact JST for details as the dimensions shown in the above figure are reference values.

PAD CONNECTOR

Contact



Model No.	Applicable wire range		Q'ty/reel
	Conductor size AWG (mm ²)	Insulation O.D. (mm)	
SPH-002T-P0.5L	#28 to #24 (0.08 to 0.22)	0.8 to 1.5	8,000
SPH-001T-P0.5L	#26 to #22 (0.13 to 0.33)	1.0 to 1.5	

Model No.	Applicable wire range		Q'ty/reel
	Conductor size AWG (mm ²)	Insulation O.D. (mm)	
SPND-002T-C0.5	#28 to #24 (0.08 to 0.22)	0.76 to 1.5	8,000
SPND-001T-C0.5	#26 to #22 (0.13 to 0.33)	1.0 to 1.5	

Material and Surface finish, etc.
Phosphor bronze, tin-plated

Material and Surface finish, etc.
Copper alloy, tin-plated

Note: This product has improved insertion and extraction operations.

Crimping machine

Contact	Crimping machine	Applicator	Crimp applicator with dies
SPH-002T-P0.5L	AP-K2N	MKS-L	APLMK SPH002-05L
SPH-001T-P0.5L			APLMK SPH001-05L

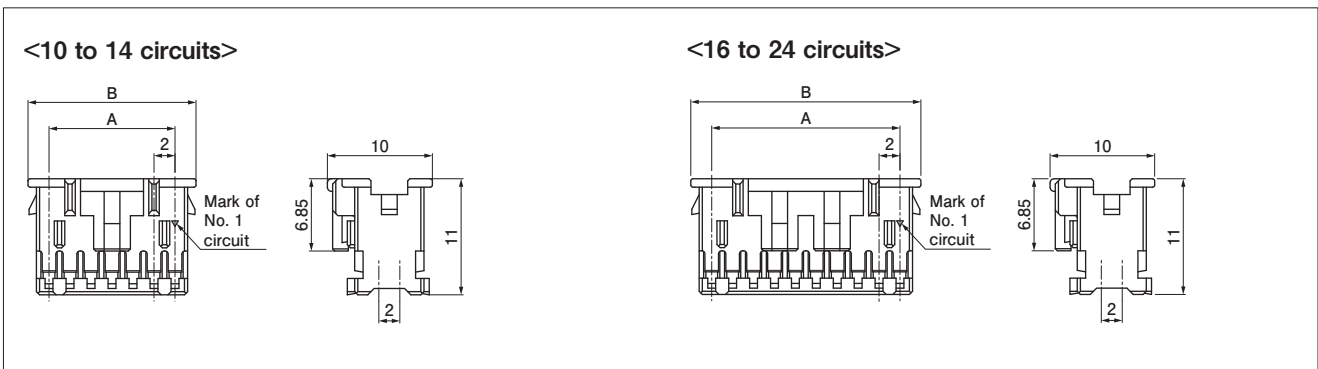
Note: Contact JST for fully automatic crimping applicator.

Crimping machine

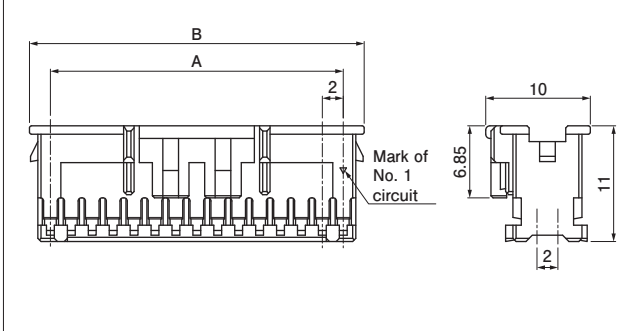
Contact	Crimping machine	Applicator	Crimp applicator with dies
SPND-002T-C0.5	AP-K2N	MKS-L	APLMK SPAD/ND002-05
SPND-001T-C0.5			APLMK SPND001-05

Note: Contact JST for fully automatic crimping applicator.

Housing



<40 circuits>



No. of circuits	Model No.	Dimensions (mm)		Q'ty/bag
		A	B	
10	PADP-10V-1-S	8.0	12.0	1,000
12	PADP-12V-1-S	10.0	14.0	1,000
14	PADP-14V-1-S	12.0	16.0	1,000
16	PADP-16V-1-S	14.0	18.0	1,000
20	PADP-20V-1-S	18.0	22.0	1,000
22	PADP-22V-1-S	20.0	24.0	1,000
24	PADP-24V-1-S	22.0	26.0	1,000
40	※PADP-40V-1-S	38.0	42.0	500

Material and Surface finish, etc.
PA 66, UL94V-0, natural (white)

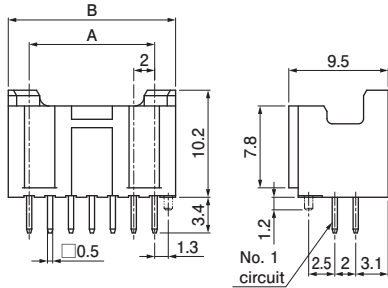
Note: Product marked with an asterisk (*) is not TÜV-listed.

PAD CONNECTOR

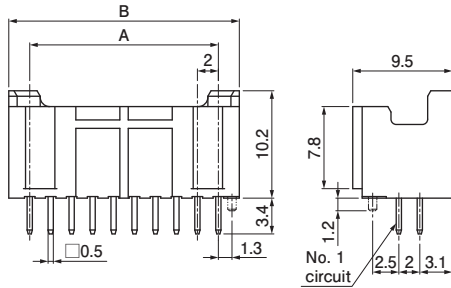
Header

Top entry type

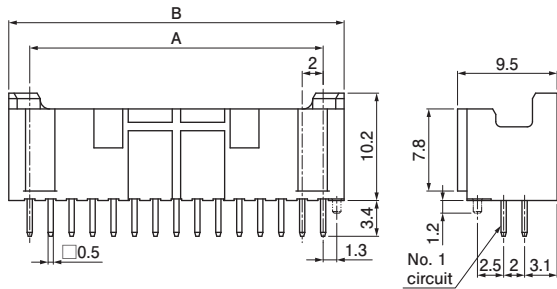
<10 to 14 circuits>



<16 to 24 circuits>

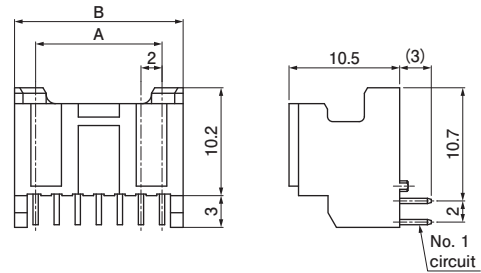


<40 circuits>

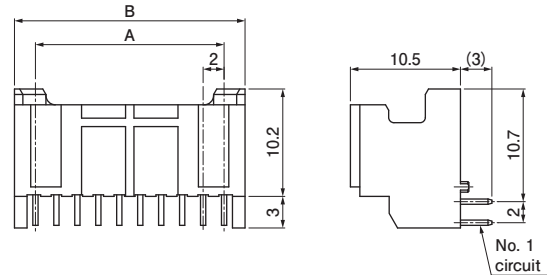


Side entry type

<10 to 14 circuits>



<16 to 24 circuits>



No. of circuits	Model No.			Dimensions (mm)		Q'ty/box	
	Top entry type		Side entry type	A	B	Top entry type	Side entry type
	Without a boss	With a boss					
10	B10B-PADSS-F	B10B-PADSS-1F	S10B-PADSS-1	8.0	12.0	400	504
12	B12B-PADSS-F	B12B-PADSS-1F	S12B-PADSS-1	10.0	14.0	300	420
14	B14B-PADSS-F	B14B-PADSS-1F	S14B-PADSS-1	12.0	16.0	300	364
16	B16B-PADSS-F	B16B-PADSS-1F	S16B-PADSS-1	14.0	18.0	200	336
20	B20B-PADSS-F	B20B-PADSS-1F	S20B-PADSS-1	18.0	22.0	150	280
22	B22B-PADSS-F	B22B-PADSS-1F	—	20.0	24.0	150	—
24	B24B-PADSS-F	B24B-PADSS-1F	S24B-PADSS-1	22.0	26.0	150	224
40	—	*B40B-PADSS-1F	—	38.0	42.0	100	—

Material and Surface finish, etc.

Post: Copper alloy, copper-undercoated, tin-plated
 Wafer: Top entry type/PA 66 (Glass-filled), UL94V-0, natural (ivory)
 Side entry type/PBT (Glass-filled), UL94V-0, natural (white)

Note: 1. Product marked with an asterisk (*) is not TÜV-listed.
 2. This product displays (LF) (SN) on a label.

PAD CONNECTOR

Model number allocation

Contact

S PH - 002 T - P 0.5 L	S PND - 002 T - C 0.5
Supply form: Strip form	Supply form: Strip form
Series name	Series name
Applicable wire range: 002...AWG #28 to AWG #24 001...AWG #26 to AWG #22	Applicable wire range: 002...AWG #28 to AWG #24 001...AWG #26 to AWG #22
Surface finish: Tin-plated	Surface finish: Tin-plated
Material: Phosphor bronze	Material: Copper alloy
Applicable post size	Applicable post size
Auxiliary symbol	

Housing

PAD P - 16 V - 1 - S
Series name
Type: Socket housing
No. of circuits
Flammability: UL94V-0
Auxiliary symbol
Color: S...Natural (White), K...Black, R...Red, Y...Yellow, E...Blue, M...Green, L...Lemon yellow

Header (Top entry type)

B 16 B - PAD S S - 1 F
Header type: Top entry type
No. of circuits
Assembly product
Series name
Color: S...Natural (Ivory), K...Black, R...Red, Y...Yellow, E...Blue, M...Green, L...Lemon yellow
Clinched (Kinked) / Not clinched: Straight
Presence of boss: Blank...Without boss, 1...With boss
Auxiliary symbol

Header (Side entry type)

S 16 B - PAD S S - 1
Header type: Side entry type
No. of circuits
Assembly product
Series name
Color: S...Natural (White), K...Black, Y...Yellow, E...Blue, P...Purple
Clinched (Kinked) / Not clinched: Straight
Presence of boss: With boss

OUR CERTIFICATE

DiGi provide top-quality products and perfect service for customer worldwide through standardization, technological innovation and continuous improvement. DiGi through third-party certification, we stricly control the quality of products and services. Welcome your RFQ to

Email: Info@DiGi-Electronics.com



Tel: +00 852-30501935

RFQ Email: Info@DiGi-Electronics.com

DiGi is a global authorized distributor of electronic components.