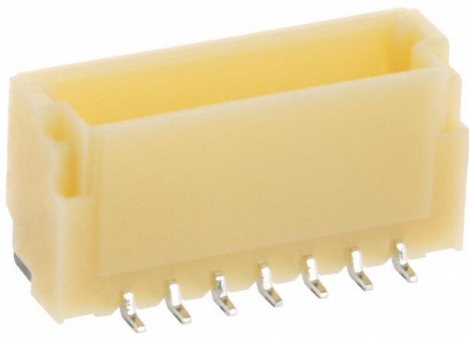


BM07B-SRSS-TB Datasheet

www.digi-electronics.com



<https://www.DiGi-Electronics.com>

DiGi Electronics Part Number	BM07B-SRSS-TB-DG
Manufacturer	JST Sales America Inc.
Manufacturer Product Number	BM07B-SRSS-TB
Description	CONN HEADER SMD 7POS 1MM
Detailed Description	Connector Header Surface Mount 7 position 0.039" (1.00mm)

This model BM07B-SRSS-TB is available at DiGi Electronics.

DiGi Electronics offers a global database of semiconductor and electronic component datasheets.

We welcome your inquiries regarding pricing, lead time, or other product-related questions.

 [Request a Quote](#)

 [Datasheet Search](#)



Tel: +00 852-30501935

RFQ Email: Info@DiGi-Electronics.com

DiGi is a global authorized distributor of electronic components.

Purchase and inquiry

Manufacturer Product Number:

BM07B-SRSS-TB

Series:

SH/SR

Connector Type:

Header

Pitch - Mating:

0.039" (1.00mm)

Number of Rows:

1

Number of Positions Loaded:

All

Shrouding:

Shrouded - 4 Wall

Termination:

Solder

Contact Length - Mating:

-

Overall Contact Length:

-

Contact Shape:

Square

Contact Finish Thickness - Mating:

-

Contact Material:

Copper Alloy

Features:

Solder Retention

Ingress Protection:

-

Insulation Color:

Natural

Voltage Rating:

50V

Contact Finish Thickness - Post:

-

Base Product Number:

BM07B-SR

Manufacturer:

JST Sales America Inc.

Product Status:

Active

Contact Type:

Male Pin

Number of Positions:

7

Row Spacing - Mating:

-

Style:

Board to Cable/Wire

Mounting Type:

Surface Mount

Fastening Type:

Push-Pull

Contact Length - Post:

-

Insulation Height:

0.167" (4.25mm)

Contact Finish - Mating:

Tin

Contact Finish - Post:

Tin

Insulation Material:

Polyamide (PA), Nylon

Operating Temperature:

-25°C ~ 85°C

Material Flammability Rating:

UL94 V-0

Current Rating (Amps):

1A

Mated Stacking Heights:

4.9mm

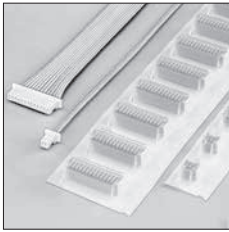
Applications:

-

Environmental & Export classification

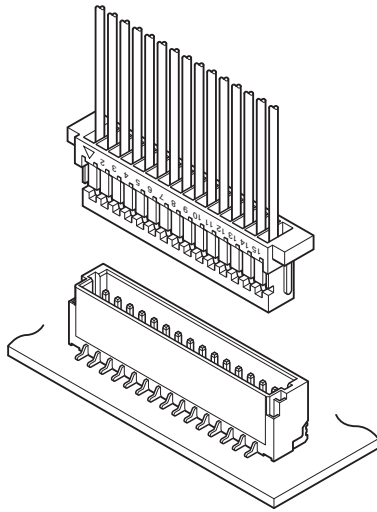
RoHS Status:

Moisture Sensitivity Level (MSL):



SH CONNECTOR

1.0 mm pitch/Wire-to-Board connectors/Crimp style and Mating style



The SH is the world's first 1.0 mm pitch crimp style connector. It features a compact, low profile design in a wire-to-board configuration. Its unique contact engagement with the housing lance provides excellent performance in the contact insertion process when using smaller diameter wires. In addition, with a high-pressure contact design, the SH contact demonstrates excellent contact reliability providing an assured connection.

- Compact and space-saving
- Housing lance system
- High-pressure contact design for a more assured connection
- Socket compatible with IDC style SR connector

Specifications

- Current rating: 1.0 A AC/DC (AWG #28)
- Voltage rating: 50 V AC/DC
- Temperature range: -25°C to +85°C
(including temperature rise in applying electrical current)
- Contact resistance:
Initial value/ 20 mΩ max.
After environmental tests/ 40 mΩ max.
- Insulation resistance: 100 MΩ min.
- Withstanding voltage:
There shall be no breakdown or flashover while applying 500 VAC for one minute.
- Applicable wire range:
Conductor size/ AWG #32 to AWG #28
Insulation O.D./ φ 0.4 mm to φ 0.8 mm

- * Please refer to the "Handling Precautions for Terminals and Connectors" on our website (listed in the "Technical Documents" column on the Product Information page) before use.
- * RoHS2 compliance
- * Dimensional unit: mm
- * Contact JST for details.

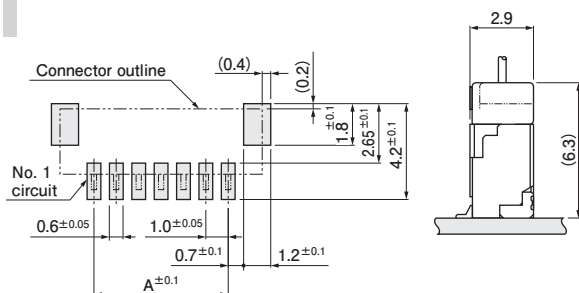
Standards

For information on overseas standard registrations, please refer to the "List of Registered Overseas Standards" on our website (listed in the "Technical Documents" column on the Product Information page).

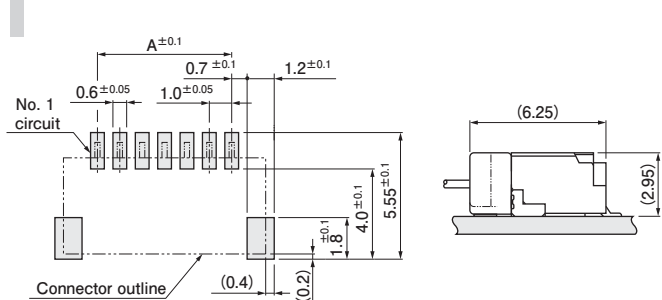
- * Specifications registered to overseas standards may differ from the general specifications listed above.

PC board layout and Assembly layout

Top entry type



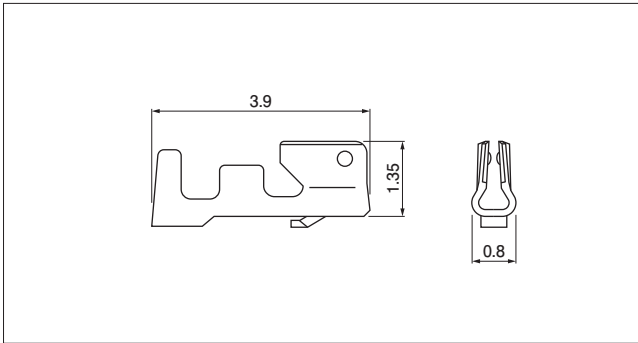
Side entry type



- Note: 1. The PC board layout figure shown is viewed from the connector mounting surface.
2. Dimension A: See "Header" section on page 3.
3. Tolerance for the PCB pattern pitch shall be ± 0.05, and shall not accumulate more than ± 0.1.
4. The above dimensions are reference values. Please contact JST for details.

SH CONNECTOR

Contact



Model No.	Applicable wire range		Q'ty/ reel
	Conductor size AWG (mm ²)	Insulation O.D. (mm)	
SSH-003T-P0.2-H	#32 to #28 (0.032 to 0.081)	0.4 to 0.8	23,000

Material and Surface finish, etc.

Copper alloy, tin-plated

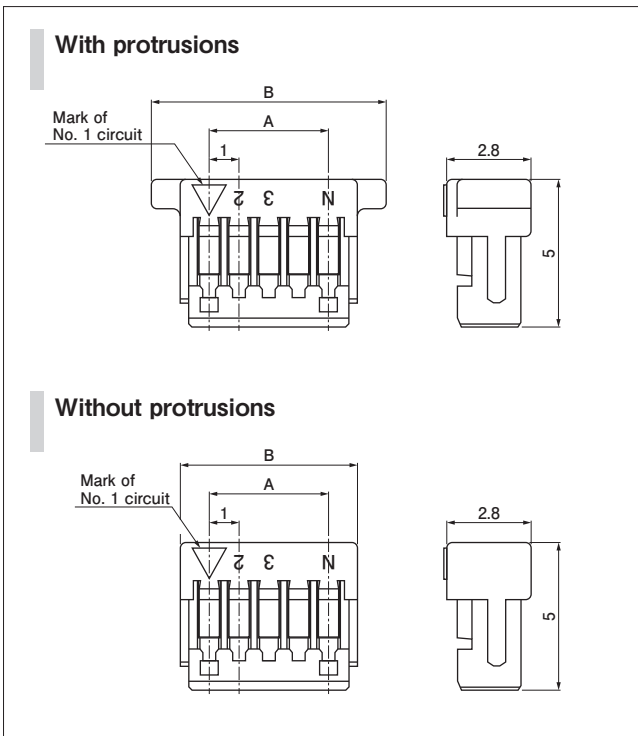
Note: Contact JST for gold-plated product.

Crimping machine

Contact	Crimping machine	Applicator	Crimp applicator with dies
SSH-003T-P0.2-H	AP-K2N	MKS-L-10-3	APLMK SSH/L003-02

Note: Contact JST for fully automatic crimping applicator.

Housing



No. of circuits	Model No.		Dimensions (mm)			Q'ty/ box
	With protrusions	Without protrusions	A	B		
				With protrusions	Without protrusions	
2	SHR-02V-S-B	SHR-02V-S	1.0	5.0	3.0	2,000
3	SHR-03V-S-B	SHR-03V-S	2.0	6.0	4.0	2,000
4	SHR-04V-S-B	SHR-04V-S	3.0	7.0	5.0	2,000
5	SHR-05V-S-B	SHR-05V-S	4.0	8.0	6.0	2,000
6	SHR-06V-S-B	SHR-06V-S	5.0	9.0	7.0	2,000
7	SHR-07V-S-B	SHR-07V-S	6.0	10.0	8.0	2,000
8	SHR-08V-S-B	SHR-08V-S	7.0	11.0	9.0	2,000
9	SHR-09V-S-B	SHR-09V-S	8.0	12.0	10.0	2,000
10	SHR-10V-S-B	SHR-10V-S	9.0	13.0	11.0	2,000
11	SHR-11V-S-B	SHR-11V-S	10.0	14.0	12.0	2,000
12	SHR-12V-S-B	SHR-12V-S	11.0	15.0	13.0	2,000
13	SHR-13V-S-B	SHR-13V-S	12.0	16.0	14.0	2,000
14	SHR-14V-S-B	SHR-14V-S	13.0	17.0	15.0	2,000
15	SHR-15V-S-B	SHR-15V-S	14.0	18.0	16.0	2,000
16	SHR-16V-S-B	—	15.0	19.0	—	1,500
20	SHR-20V-S-B	—	19.0	23.0	—	1,000

Material and Surface finish, etc.

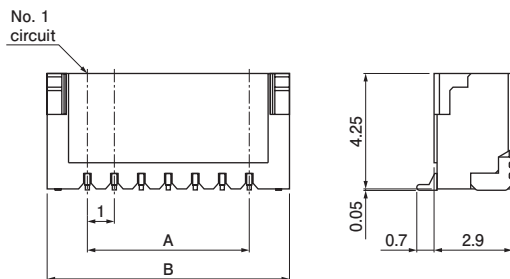
PBT, natural (white)

Note: For flame retardant grade of resin material used, please refer to the "List of Registered Overseas Standards" on our website (listed in the "Technical Documents" column on the Product Information page).

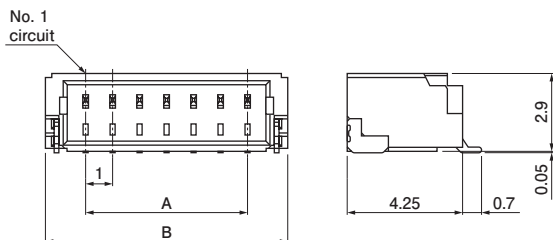
SH CONNECTOR

Header

Top entry type



Side entry type



No. of circuits	Model No.		Dimensions (mm)		Q'ty/reel	
	Top entry type	Side entry type	A	B	Top entry type	Side entry type
2	BM02B-SRSS-TB	SM02B-SRSS-TB	1.0	4.0	1,500	3,000
3	BM03B-SRSS-TB	SM03B-SRSS-TB	2.0	5.0	1,500	3,000
4	BM04B-SRSS-TB	SM04B-SRSS-TB	3.0	6.0	1,500	3,000
5	BM05B-SRSS-TB	SM05B-SRSS-TB	4.0	7.0	1,500	3,000
6	BM06B-SRSS-TB	SM06B-SRSS-TB	5.0	8.0	1,500	3,000
7	BM07B-SRSS-TB	SM07B-SRSS-TB	6.0	9.0	1,500	3,000
8	BM08B-SRSS-TB	SM08B-SRSS-TB	7.0	10.0	1,500	3,000
9	BM09B-SRSS-TB	SM09B-SRSS-TB	8.0	11.0	1,500	3,000
10	BM10B-SRSS-TB	SM10B-SRSS-TB	9.0	12.0	1,500	3,000
11	BM11B-SRSS-TB	SM11B-SRSS-TB	10.0	13.0	1,500	3,000
12	BM12B-SRSS-TB	SM12B-SRSS-TB	11.0	14.0	1,500	3,000
13	BM13B-SRSS-TB	SM13B-SRSS-TB	12.0	15.0	1,500	3,000
14	BM14B-SRSS-TB	SM14B-SRSS-TB	13.0	16.0	1,500	3,000
15	BM15B-SRSS-TB	SM15B-SRSS-TB	14.0	17.0	1,500	3,000
16	BM16B-SRSS-TB	—	15.0	18.0	1,500	—
20	—	SM20B-SRSS-TB	19.0	22.0	—	3,000

Material and Surface finish, etc.

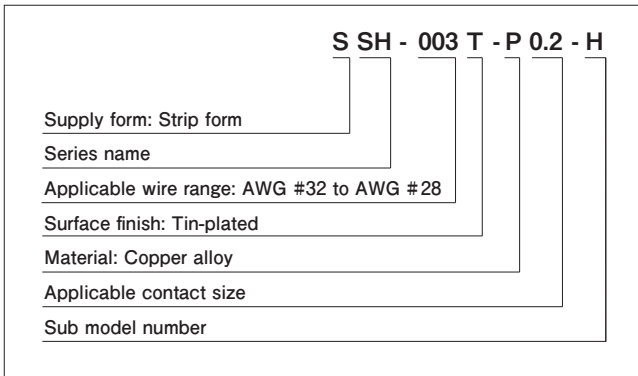
Base contact: Copper alloy, tin-plated
 Base housing: PA (Heat resistance) , natural (ivory)
 Reinforcement: Copper alloy, tin-plated

- Note: 1. This product displays (LF) (SN) on a label.
 2. This product is supplied on embossed tape and reel packaging.
 Top-entry headers with suction tape are also available.
 Please contact JST for details.
 3. Contact JST for gold-plated product.
 4. The SH header is compatible with SR series IDC style socket.
 5. For flame retardant grade of resin material used, please refer to the "List of Registered Overseas Standards" on our website (listed in the "Technical Documents" column on the Product Information page).

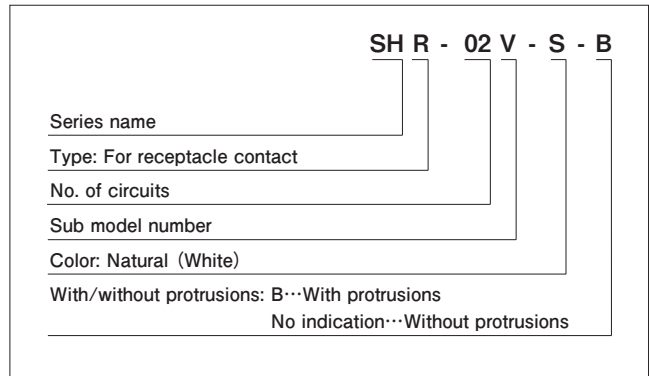
SH CONNECTOR

Model number allocation

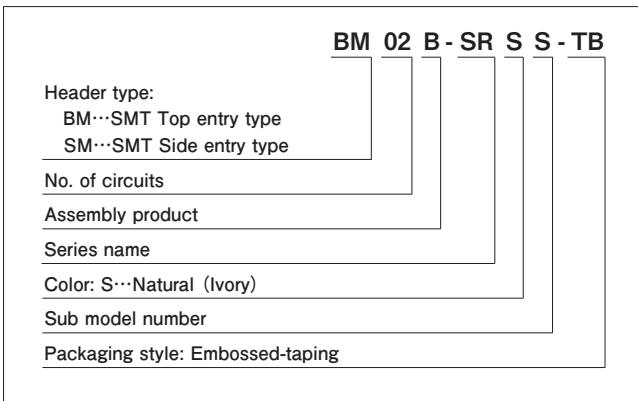
Contact



Housing



Header



OUR CERTIFICATE

DiGi provide top-quality products and perfect service for customer worldwide through standardization, technological innovation and continuous improvement. DiGi through third-party certification, we stricly control the quality of products and services. Welcome your RFQ to

Email: Info@DiGi-Electronics.com



Tel: +00 852-30501935

RFQ Email: Info@DiGi-Electronics.com

DiGi is a global authorized distributor of electronic components.