

GHR-05V-S Datasheet

www.digi-electronics.com



<https://www.DiGi-Electronics.com>

DiGi Electronics Part Number	GHR-05V-S-DG
Manufacturer	JST Sales America Inc.
Manufacturer Product Number	GHR-05V-S
Description	CONN RCPT HSG 5POS 1.25MM
Detailed Description	5 Rectangular Connectors - Housings Receptacle Natural 0.049" (1.25mm)

This model GHR-05V-S is available at DiGi Electronics.

DiGi Electronics offers a global database of semiconductor and electronic component datasheets.

We welcome your inquiries regarding pricing, lead time, or other product-related questions.

 [Request a Quote](#)

 [Datasheet Search](#)



Tel: +00 852-30501935

RFQ Email: Info@DiGi-Electronics.com

DiGi is a global authorized distributor of electronic components.

Purchase and inquiry

Manufacturer Product Number:

GHR-05V-S

Series:

GH

Connector Type:

Receptacle

Number of Positions:

5

Number of Rows:

1

Mounting Type:

Free Hanging (In-Line)

Fastening Type:

Latch Lock

Features:

-

Operating Temperature:

-25°C ~ 85°C

Base Product Number:

GHR-05V

Manufacturer:

JST Sales America Inc.

Product Status:

Active

Contact Type:

Female Socket

Pitch:

0.049" (1.25mm)

Row Spacing:

-

Contact Termination:

Crimp

Color:

Natural

Insulation Material:

Polybutylene Terephthalate (PBT)

Note:

Contacts Not Included

Environmental & Export classification

RoHS Status:

RoHS Compliant

REACH Status:

REACH Unaffected

HTSUS:

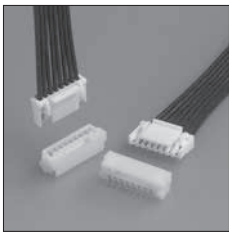
8538.90.6000

Moisture Sensitivity Level (MSL):

1 (Unlimited)

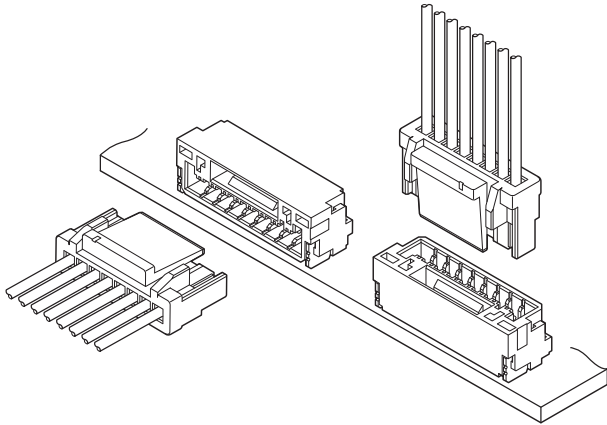
ECCN:

EAR99



GH CONNECTOR

1.25 mm pitch/Wire-to-Board connectors/Crimp style and Mating style



The GH series is a 1.25 mm pitch, wire-to-board connector with a secure locking function. It is suitable for internal connections in various electrical and electronic equipment for high density applications. Low insertion force contacts allow for ease of mating with a positive tactile clicking sensation, providing a highly reliable connection.

- Secure lock mechanism
- Superior mating performance
- Large outer latch for positive lock
- Structured to prevent contact deformation
- Housings are designed to prevent incorrect mating

■ Specifications

- Current rating: 1.0 A AC/DC (AWG #26)
- Voltage rating: 50 V AC/DC
- Temperature range: -25°C to +85°C
(including temperature rise in applying electrical current)
- Contact resistance:
 - Initial value/ 30 mΩ max.
 - After environmental tests/ 50 mΩ max.
- Insulation resistance: 100 MΩ min.
- Withstanding voltage:
 - There shall be no breakdown or flashover while applying 500 VAC for one minute.
- Applicable wire range:
 - Conductor size/ AWG #30 to AWG #26
 - Insulation O.D./ φ 0.76 mm to φ 1.0 mm
- * Please refer to the "Handling Precautions for Terminals and Connectors" on our website (listed in the "Technical Documents" column on the Product Information page) before use.
- * RoHS2 compliance
- * Dimensional unit: mm
- * Contact JST for details.

■ Standards

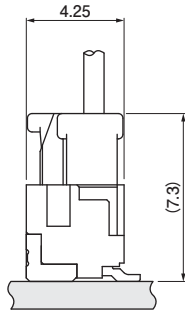
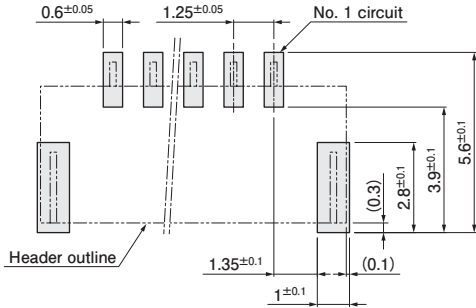
For information on overseas standard registrations, please refer to the "List of Registered Overseas Standards" on our website (listed in the "Technical Documents" column on the Product Information page).

* Specifications registered to overseas standards may differ from the general specifications listed above.

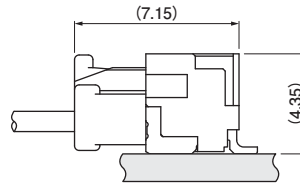
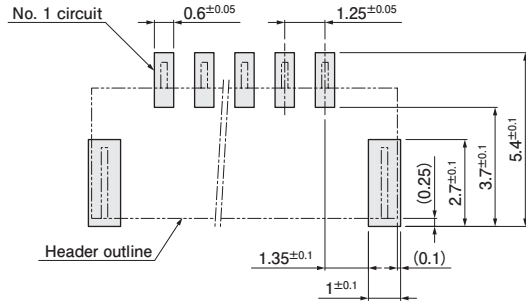
GH CONNECTOR

PC board layout and Assembly layout

Top entry type

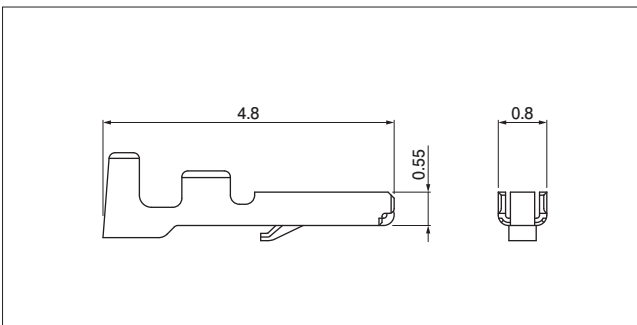


Side entry type



Note: 1. The PC board layout figure shown is viewed from the connector mounting surface.
 2. Tolerance for the PCB pattern pitch shall be ± 0.05 and shall not accumulate.
 The above dimensions are reference values. Please contact JST for details.

Contact



Model No.	Applicable wire range		Q'ty/ reel
	Conductor size AWG (mm ²)	Insulation O.D. (mm)	
SSHL-002T-P0.2	#30 to #26 (0.05 to 0.13)	0.76 to 1.0	35,000

Material and Surface finish, etc.
 Copper alloy, tin-plated

Note: 1. Contact JST for gold-plated product.
 2. This contact can be applied only for the GH connector.
 SSHL-003 () -P0.2 cannot be applied for the GH connector.

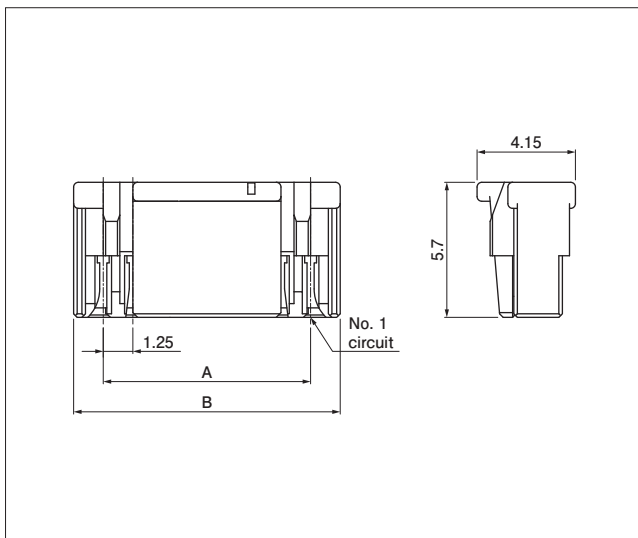
Crimping machine

Contact	Crimping machine	Applicator	Crimp applicator with dies
SSHL-002T-P0.2	AP-K2N	MKS-L-10-3	APLMK SSHL002-02

Note: Contact JST for fully automatic crimping applicator.

GH CONNECTOR

Housing



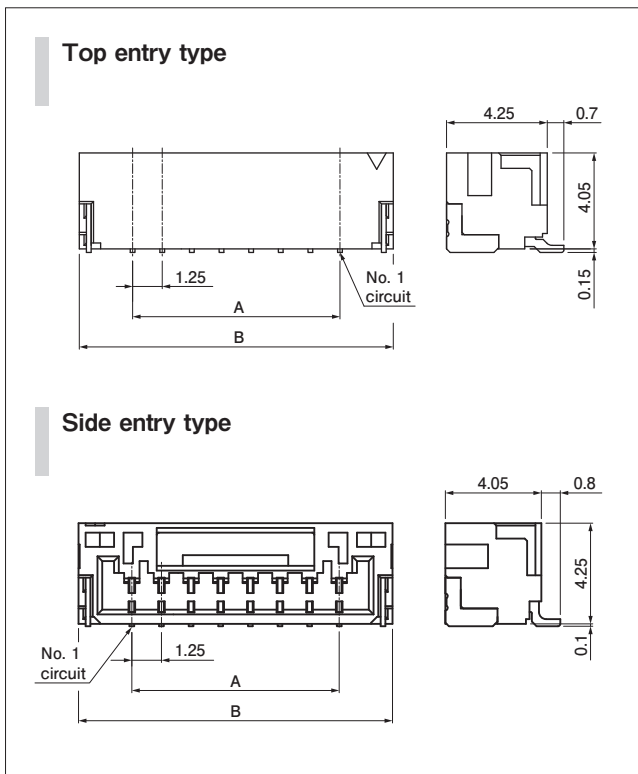
No. of circuits	Model No.	Dimensions (mm)		Q'ty/bag
		A	B	
2	GHR-02V-S	1.25	3.75	9,000
3	GHR-03V-S	2.50	5.00	9,000
4	GHR-04V-S	3.75	6.25	6,000
5	GHR-05V-S	5.00	7.50	6,000
6	GHR-06V-S	6.25	8.75	6,000
7	GHR-07V-S	7.50	10.00	6,000
8	GHR-08V-S	8.75	11.25	4,500
9	GHR-09V-S	10.00	12.50	3,500
10	GHR-10V-S	11.25	13.75	3,500
11	GHR-11V-S	12.50	15.00	3,000
12	GHR-12V-S	13.75	16.25	3,000
13	GHR-13V-S	15.00	17.50	3,000
14	GHR-14V-S	16.25	18.75	3,000
15	GHR-15V-S	17.50	20.00	3,000

Material and Surface finish, etc.

PBT, natural (white)

Note: For flame retardant grade of resin material used, please refer to the "List of Registered Overseas Standards" on our website (listed in the "Technical Documents" column on the Product Information page).

Header



No. of circuits	Model No.		Dimensions (mm)		Q'ty/reel
	Top entry type	Side entry type	A	B	
2	BM02B-GHS-TBT	SM02B-GHS-TB	1.25	5.75	2,500
3	BM03B-GHS-TBT	SM03B-GHS-TB	2.50	7.00	2,500
4	BM04B-GHS-TBT	SM04B-GHS-TB	3.75	8.25	2,500
5	BM05B-GHS-TBT	SM05B-GHS-TB	5.00	9.50	2,500
6	BM06B-GHS-TBT	SM06B-GHS-TB	6.25	10.75	2,500
7	BM07B-GHS-TBT	SM07B-GHS-TB	7.50	12.00	2,500
8	BM08B-GHS-TBT	SM08B-GHS-TB	8.75	13.25	2,500
9	BM09B-GHS-TBT	SM09B-GHS-TB	10.00	14.50	2,500
10	BM10B-GHS-TBT	SM10B-GHS-TB	11.25	15.75	2,500
11	BM11B-GHS-TBT	SM11B-GHS-TB	12.50	17.00	2,500
12	BM12B-GHS-TBT	SM12B-GHS-TB	13.75	18.25	2,500
13	BM13B-GHS-TBT	SM13B-GHS-TB	15.00	19.50	2,500
14	BM14B-GHS-TBT	SM14B-GHS-TB	16.25	20.75	2,500
15	BM15B-GHS-TBT	SM15B-GHS-TB	17.50	22.00	2,500

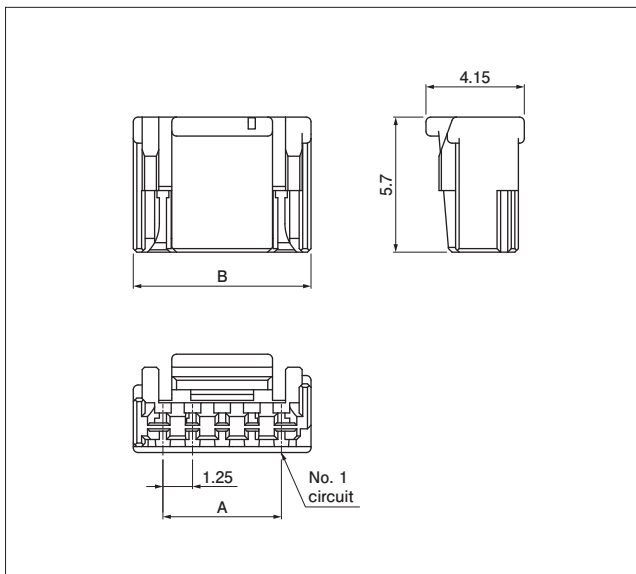
Material and Surface finish, etc.

Base contact: Copper alloy, tin-plated
 Base housing: PA (Heat resistance), natural (ivory)
 Reinforcement: Copper alloy, tin-plated

Note: 1. This product displays (LF)(SN) on a label.
 2. Contact JST for gold-plated product.
 3. For flame retardant grade of resin material used, please refer to the "List of Registered Overseas Standards" on our website (listed in the "Technical Documents" column on the Product Information page).

GH CONNECTOR

Housing (Keying pattern A)



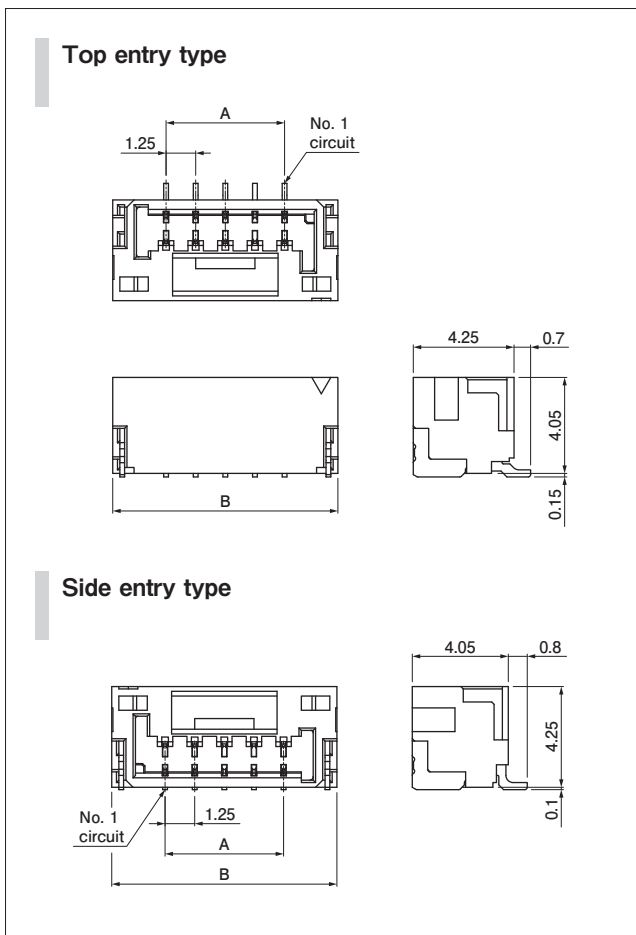
No. of circuits	Model No.	Dimensions (mm)		Q'ty/bag
		A	B	
2	GHR-02V-2P	1.25	3.75	9,000
4	GHR-04V-2P	3.75	6.25	6,000
5	GHR-05V-2P	5.00	7.50	6,000

Material and Surface finish, etc.

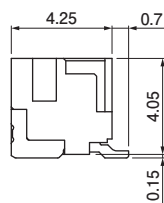
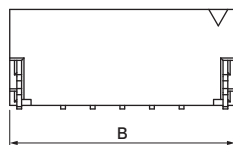
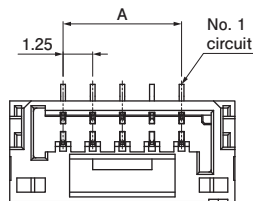
PBT, purple

Note: For flame retardant grade of resin material used, please refer to the "List of Registered Overseas Standards" on our website (listed in the "Technical Documents" column on the Product Information page).

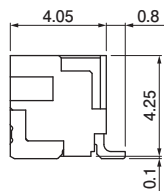
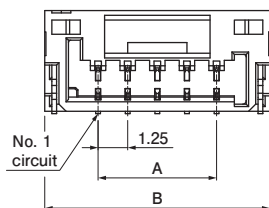
Header (Keying pattern A)



Top entry type



Side entry type



No. of circuits	Model No.		Dimensions (mm)		Q'ty/reel
	Top entry type	Side entry type	A	B	
2	BM02B-GHP-A-TBT	—	1.25	5.75	2,500
4	BM04B-GHP-A-TBT	SM04B-GHP-A-TB	3.75	8.25	2,500
5	BM05B-GHP-A-TBT	SM05B-GHP-A-TB	5.00	9.50	2,500

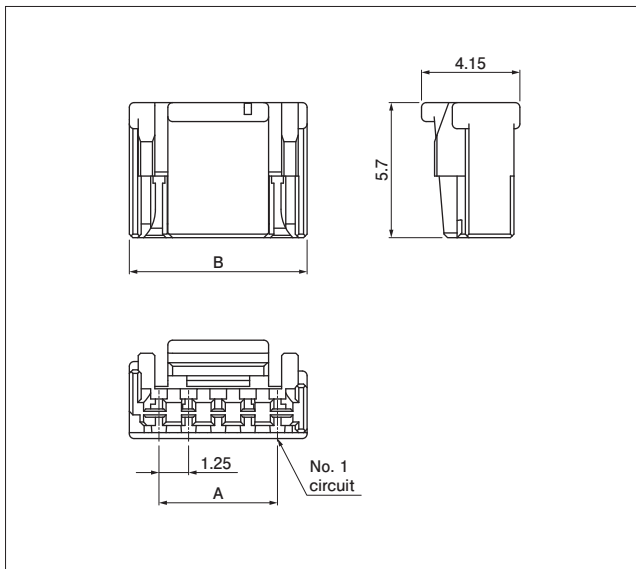
Material and Surface finish, etc.

Base contact: Copper alloy, tin-plated
Base housing: PA (Heat resistance), purple
Reinforcement: Copper alloy, tin-plated

Note: 1. This product displays (LF)(SN) on a label.
2. For flame retardant grade of resin material used, please refer to the "List of Registered Overseas Standards" on our website (listed in the "Technical Documents" column on the Product Information page).

GH CONNECTOR

Housing (Keying pattern B)



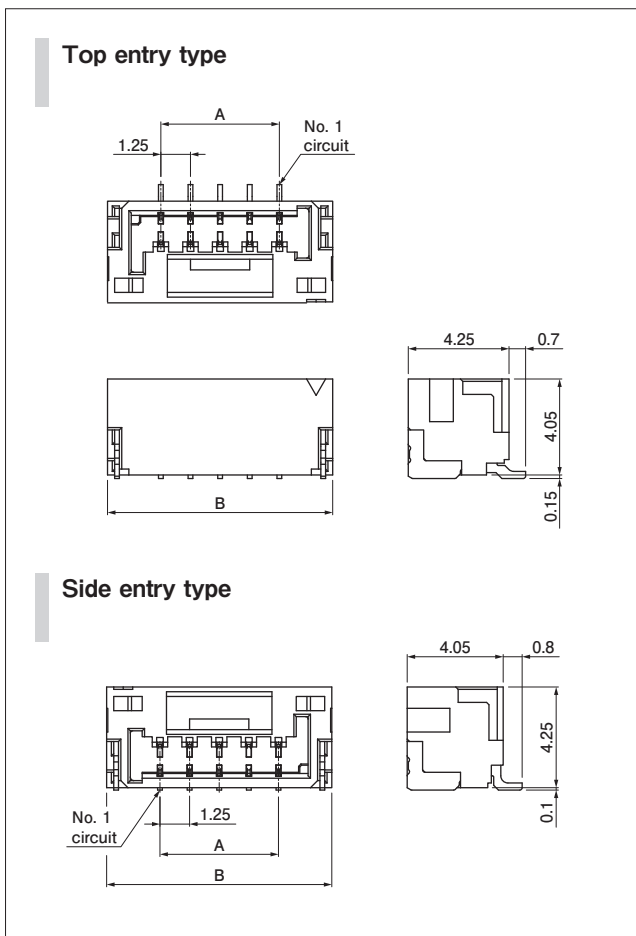
No. of circuits	Model No.	Dimensions (mm)		Q'ty/bag
		A	B	
2	GHR-02V-3HD	1.25	3.75	9,000
4	GHR-04V-3HD	3.75	6.25	6,000
5	GHR-05V-3HD	5.00	7.50	6,000

Material and Surface finish, etc.

PBT, dark gray

Note: For flame retardant grade of resin material used, please refer to the "List of Registered Overseas Standards" on our website (listed in the "Technical Documents" column on the Product Information page).

Header (Keying pattern B)



No. of circuits	Model No.		Dimensions (mm)		Q'ty/reel
	Top entry type	Side entry type	A	B	
2	BM02B-GHHD-B-TBT	SM02B-GHHD-B-TB	1.25	5.75	2,500
4	BM04B-GHHD-B-TBT	SM04B-GHHD-B-TB	3.75	8.25	2,500
5	BM05B-GHHD-B-TBT	SM05B-GHHD-B-TB	5.00	9.50	2,500

Material and Surface finish, etc.

Base contact: Copper alloy, tin-plated
Base housing: PA (Heat resistance), dark gray
Reinforcement: Copper alloy, tin-plated

Note: 1. This product displays (LF)(SN) on a label.
2. For flame retardant grade of resin material used, please refer to the "List of Registered Overseas Standards" on our website (listed in the "Technical Documents" column on the Product Information page).

GH CONNECTOR**Model number allocation****Contact**

	S	SHL	- 002	T	- P	0.2
Supply form: Strip form						
Series name						
Applicable wire range: AWG #30 to AWG #26						
Surface finish: Tin-plated						
Material: Copper alloy						
Applicable contact size						

Housing

	GH	R	- 04	V	- S
Series name					
Type: For receptacle contact					
No. of circuits					
Sub model number					
Color: S··Natural (White), LE··Light blue, TR··Tomato red, K··Black, E··Blue, O··Orange, L··Lemon yellow, MG··Moss green, DPK··Dark pink, DP··Dark purple					

Header

	BM	04	B-GH	S-TBT
Header type: BM··SMT Top entry type SM··SMT Side entry type				
No. of circuits				
Assembly product				
Series name				
Color: S··Natural (Ivory), LE··Light blue, TR··Tomato red, K··Black, E··Blue, O··Orange, L··Lemon yellow, MG··Moss green, DPK··Dark pink, DP··Dark purple				
Packaging style: Embossed-taping				
Suction tape: Blank··No, T··Yes				

Housing (With keying)

	GH	R	- 04	V	- 2	P
Series name						
Type: For receptacle contact						
No. of circuits						
Sub model number						
Keying pattern: 2··Keying pattern A 3··Keying pattern B						
Color: P··Purple (Keying pattern A) HD··Dark gray (Keying pattern B)						

Header (With keying)

	BM	04	B-GH	P-A	-TBT
Header type: BM··SMT Top entry type SM··SMT Side entry type					
No. of circuits					
Assembly product					
Series name					
Color: P··Purple (Keying pattern A) HD··Dark gray (Keying pattern B)					
Keying pattern: A··Keying pattern A B··Keying pattern B					
Packaging style: Embossed-taping					
Suction tape: Blank··No, T··Yes					

OUR CERTIFICATE

DiGi provide top-quality products and perfect service for customer worldwide through standardization, technological innovation and continuous improvement. DiGi through third-party certification, we stricly control the quality of products and services. Welcome your RFQ to

Email: Info@DiGi-Electronics.com



Tel: +00 852-30501935

RFQ Email: Info@DiGi-Electronics.com

DiGi is a global authorized distributor of electronic components.