

VTC02E030TVPC Datasheet



DiGi Electronics Part Number	VTC02E030TVPC-DG
Manufacturer	Knowles Voltronics
Manufacturer Product Number	VTC02E030TVPC
Description	ADJUSTABLE INDUCTOR
Detailed Description	Adjustable Inductors

<https://www.DiGi-Electronics.com>



Tel: +00 852-30501935

RFQ Email: Info@DiGi-Electronics.com

DiGi is a global authorized distributor of electronic components.

Purchase and inquiry

Manufacturer Product Number:

VTC02E030TVPC

Series:

-

Tolerance:

-

Mounting Type:

-

Size / Dimension:

-

Base Product Number:

VTC02E

Manufacturer:

Knowles Voltronics

Product Status:

Active

Q @ Freq:

-

Package / Case:

-

Height:

-

Environmental & Export classification

RoHS Status:

ROHS3 Compliant

ECCN:

EAR99

REACH Status:

REACH Unaffected

HTSUS:

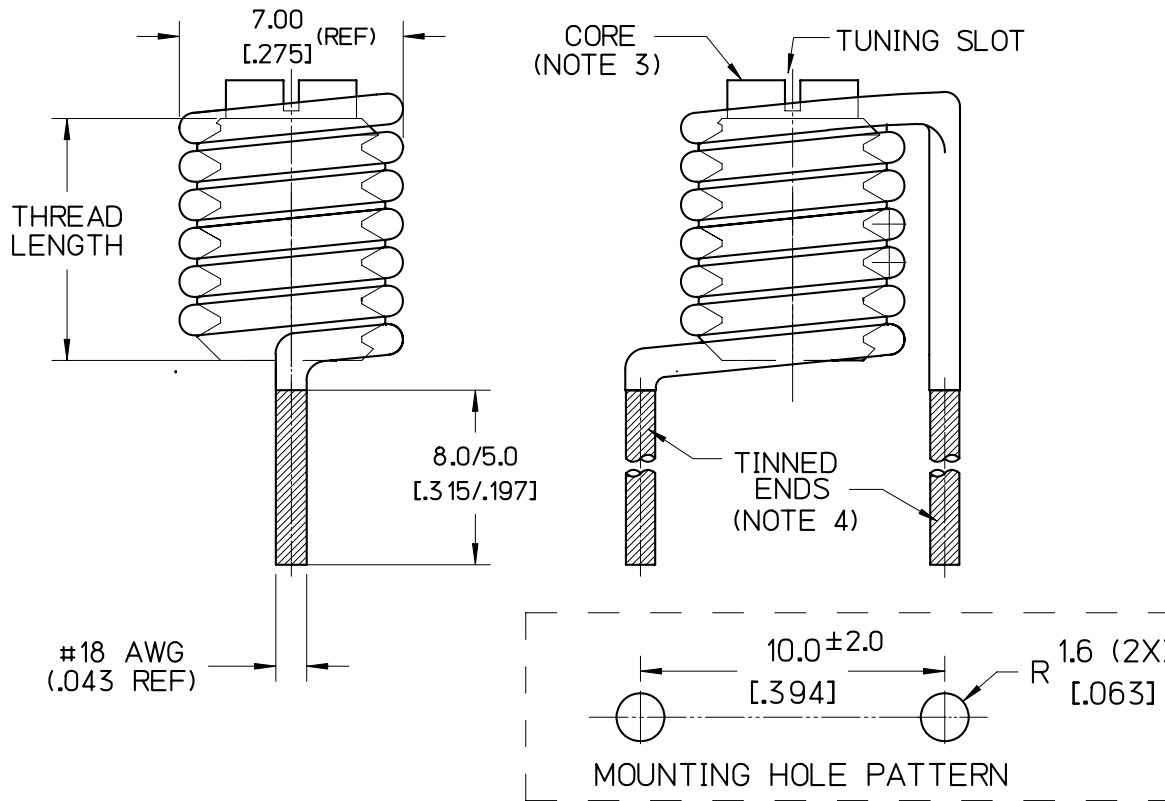
8504.50.8000

VTCXXEYYYYTRVPC A

**VARIABLE INDUCTOR COIL
VERTICAL MOUNT PC STYLE
(NONMAGNETIC)**

PATENT No. 8,248,198

FILE: AIROUT



NOTES:

1. a. DIMENSIONS: mm
b. DIMENSIONS: [inches] FOR REFERENCE
2. COIL :
a. MATERIAL: COPPER ALLOY (COATED)
b. COATING ABLE TO WITHSTAND 275°C FOR 100 HOURS AS PER NEMA "CLASS 200". (REF: ASTM D2307)
3. CORE :
a. MATERIAL: PTFE / COPPER ALLOY
b. SELF-RESONANT FREQUENCY (SRF): MEASURED WITH THE CORE FULLY ENGAGED AS DEPICTED
c. L MIN MEASURED: CORE FULLY ENGAGED INTO WINDINGS.
d. L MAX MEASURED: CORE ENGAGED A SINGLE TURN.
4. TINNING :
a. MATERIAL: RoHS COMPLIANT "SAC" ALLOY

KNOWLES P/N	READINGS: AGILENT/8358-A METER				Q (@ 100 MHz)	SRF (GHz)	TURNS	THD LGTH mm (in)
	L (nH)			NO CORE				
	MIN	NOM	MAX					
VTC02E030TRVPC	32	33	34	39	90	1.2	2	6(.236)
VTC03E048TRVPC	46	49	52	59	95	1.0	3	6(.236)
VTC04E065TRVPC	60	64	68	78	101	0.9	4	6(.236)
VTC05E088TRVPC	74	81	87	99	114	0.9	5	8(.315)
VTC06E110TRVPC	94	107	119	123	119	0.7	6	8(.315)
VTC07E130TRVPC	104	118	133	142	121	0.7	7	10(.394)

A	11/06/17	MAI	-	-	001457
LEVEL	DATE	DRN.	CHK.	APP.	ECN

REVISIONS

DRN.	CHK.	APP.	SCALE
MAI	MAI	MAI	NONE
DATE	DATE	DATE	.XX ± .762 .XXX ± .254
11/06/17	11/07/17	11/07/17	



Knowles Cazenovia
2777 Route 20 East
Cazenovia, NY 13035

VTC02E030TRVPC Knowles Voltronics ADJUSTABLE INDUCTOR

OUR CERTIFICATE

DiGi provide top-quality products and perfect service for customer worldwide through standardization, technological innovation and continuous improvement. DiGi through third-party certification, we stricly control the quality of products and services. Welcome your RFQ to

Email: Info@DiGi-Electronics.com



Tel: +00 852-30501935

RFQ Email: Info@DiGi-Electronics.com

DiGi is a global authorized distributor of electronic components.