

# VTC03E048TVPC Datasheet



DiGi Electronics Part Number	VTC03E048TVPC-DG
Manufacturer	<a href="#">Knowles Voltronics</a>
Manufacturer Product Number	VTC03E048TVPC
Description	ADJUSTABLE INDUCTOR
Detailed Description	Adjustable Inductors

<https://www.DiGi-Electronics.com>



Tel: +00 852-30501935

RFQ Email: [Info@DiGi-Electronics.com](mailto:Info@DiGi-Electronics.com)

DiGi is a global authorized distributor of electronic components.

## Purchase and inquiry

Manufacturer Product Number:

VTC03E048TVPC

Series:

-

Tolerance:

-

Mounting Type:

-

Size / Dimension:

-

Base Product Number:

VTC03E

Manufacturer:

Knowles Voltronics

Product Status:

Active

Q @ Freq:

-

Package / Case:

-

Height:

-

## Environmental & Export classification

RoHS Status:

ROHS3 Compliant

ECCN:

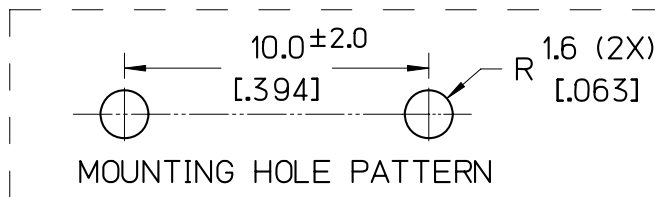
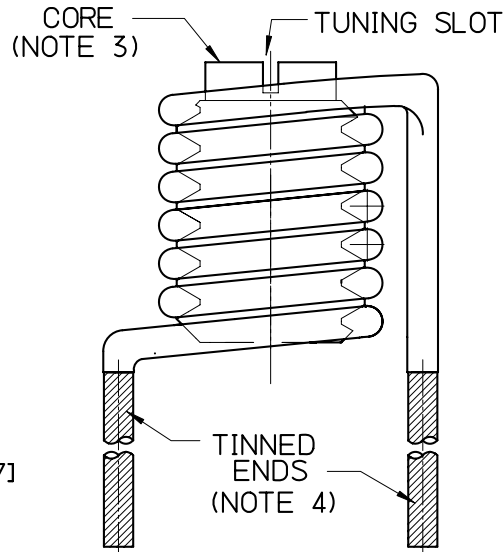
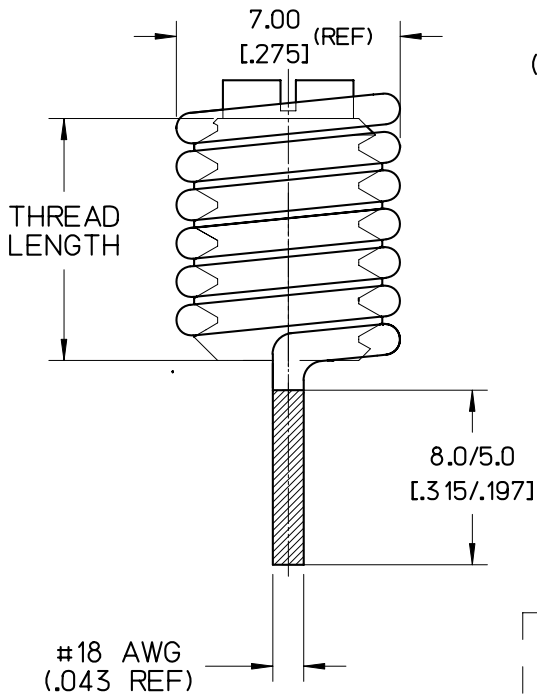
EAR99

REACH Status:

REACH Unaffected

HTSUS:

8504.50.8000



MI DRG. NO. VTCXXEYYYYTRVPCA REV.

**VTCXXEYYYYTRVPCA A**

**VARIABLE INDUCTOR COIL  
VERTICAL MOUNT PC STYLE  
(NONMAGNETIC)**

*PATENT No. 8,248,198*

FILE: AIROUT

**NOTES:**

1. a. DIMENSIONS: mm  
b. DIMENSIONS: [inches] FOR REFERENCE
2. COIL :  
a. MATERIAL:  
COPPER ALLOY (COATED)  
b. COATING ABLE TO WITHSTAND  
275°C FOR 100 HOURS AS PER  
NEMA "CLASS 200". (REF: ASTM D2307)
3. CORE :  
a. MATERIAL: PTFE / COPPER ALLOY  
b. SELF-RESONANT FREQUENCY (SRF):  
MEASURED WITH THE CORE FULLY  
ENGAGED AS DEPICTED  
c. L MIN MEASURED:  
CORE FULLY ENGAGED INTO WINDINGS.  
d. L MAX MEASURED:  
CORE ENGAGED A SINGLE TURN.
4. TINNING :  
a. MATERIAL:  
RoHS COMPLIANT "SAC" ALLOY

KNOWLES P/N	READINGS: AGILENT/8358-A METER				Q (@ 100 MHz)	SRF (GHz)	TURNS	THD LGTH mm (in)
	L (nH)							
	MIN	NOM	MAX	NO CORE				
VTC02E030TRVPC	32	33	34	39	90	1.2	2	6(.236)
VTC03E048TRVPC	46	49	52	59	95	1.0	3	6(.236)
VTC04E065TRVPC	60	64	68	78	101	0.9	4	6(.236)
VTC05E088TRVPC	74	81	87	99	114	0.9	5	8(.315)
VTC06E110TRVPC	94	107	119	123	119	0.7	6	8(.315)
VTC07E130TRVPC	104	118	133	142	121	0.7	7	10(.394)

A	11/06/17	MAI	-	-	001457
LEVEL	DATE	DRN.	CHK.	APP.	ECN
REVISIONS					
DRN.	MAI	CHK.	MAI	APP.	MAI
SCALE	NONE				
DATE	11/06/17	DATE	11/07/17	DATE	11/07/17
				.XX ± .762	.XXX ± .254

**knowles**  
DLI - Johanson MFG - Novacap - Syfer - Voltronics

**Knowles Cazenovia**  
2777 Route 20 East  
Cazenovia, NY 13035

VTC03E048TRVPC Knowles Voltronics ADJUSTABLE INDUCTOR

## OUR CERTIFICATE

DiGi provide top-quality products and perfect service for customer worldwide through standardization, technological innovation and continuous improvement. DiGi through third-party certification, we stricly control the quality of products and services. Welcome your RFQ to

Email: [Info@DiGi-Electronics.com](mailto:Info@DiGi-Electronics.com)



Tel: +00 852-30501935

RFQ Email: [Info@DiGi-Electronics.com](mailto:Info@DiGi-Electronics.com)

DiGi is a global authorized distributor of electronic components.