

VTC09E160TRSM Datasheet



DiGi Electronics Part Number	VTC09E160TRSM-DG
Manufacturer	Knowles Voltronics
Manufacturer Product Number	VTC09E160TRSM
Description	ADJUSTABLE INDUCTOR
Detailed Description	Adjustable Inductors

<https://www.DiGi-Electronics.com>



Tel: +00 852-30501935

RFQ Email: Info@DiGi-Electronics.com

DiGi is a global authorized distributor of electronic components.

Purchase and inquiry

Manufacturer Product Number:

VTC09E160TRSM

Series:

-

Tolerance:

-

Mounting Type:

-

Size / Dimension:

-

Base Product Number:

VTC09E

Manufacturer:

Knowles Voltronics

Product Status:

Active

Q @ Freq:

-

Package / Case:

-

Height:

-

Environmental & Export classification

RoHS Status:

ROHS3 Compliant

ECCN:

EAR99

REACH Status:

REACH Unaffected

HTSUS:

8504.50.8000

VTC09E160TRSM

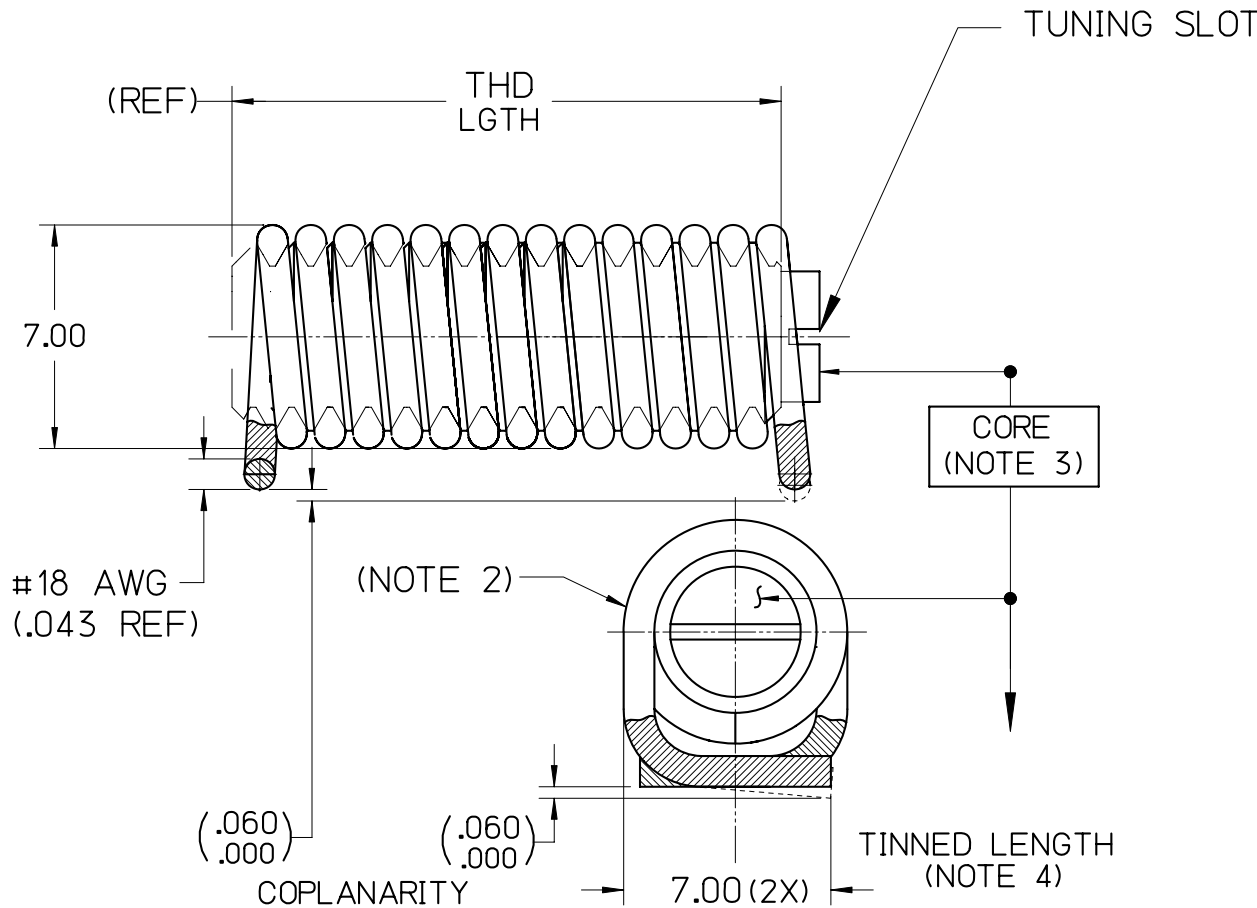
**VARIABLE INDUCTOR COIL
(NONMAGNETIC)**

U.S. PATENT No. 8,248,198

FILE: AIROUT

NOTES:

1. a. DIMENSIONS: mm
b. DIMENSIONS: (inches) FOR REFERENCE ONLY
2. COIL :
a. MATERIAL: COPPER ALLOY (COATED)
b. COATING ABLE TO WITHSTAND 275°C FOR 100 HOURS AS PER NEMA "CLASS 200". (REF ASTM D2307)
3. CORE :
a. MATERIAL: PTFE / COPPER ALLOY
b. SELF-RESONANT FREQUENCY (SRF) IS MEASURED WITH THE CORE) FULLY ENGAGED AS DEPICTED
c. L MIN MEASURED WITH CORE ENGAGING FULL WINDINGS. L MAX MEASURED WITH CORE ENGAGING A SINGLE TURN.
4. TINNING :
a. MATERIAL: RoHS COMPLIANT "SAC" ALLOY



KNOWLES P/N	L (nH)				Q (@ 100 MHz)	SRF (GHz)	TURNS	THD LGTH (mm)
	MIN	NOM	MAX	NO CORE				
VTC09E160TRSM	122	139	170	191	162	583	9	13

READINGS TAKEN ON AGILENT/8358-A METER.



Knowles Cazenovia
2777 Route 20 East
Cazenovia, NY 13035

LEVEL	DATE	DRN.	CHK.	APP.	ECN
A	11/10/17	MAI	-	-	001457

REVISIONS			
DRN.	CHK.	APP.	SCALE
MAI	MAI	MAI	NONE
DATE	DATE	DATE	
11/10/17	11/10/17	11/10/17	.XX ± .762 .XXX ± .254

VTC09E160TRSM Knowles Voltronics ADJUSTABLE INDUCTOR

OUR CERTIFICATE

DiGi provide top-quality products and perfect service for customer worldwide through standardization, technological innovation and continuous improvement. DiGi through third-party certification, we stricly control the quality of products and services. Welcome your RFQ to

Email: Info@DiGi-Electronics.com



Tel: +00 852-30501935

RFQ Email: Info@DiGi-Electronics.com

DiGi is a global authorized distributor of electronic components.