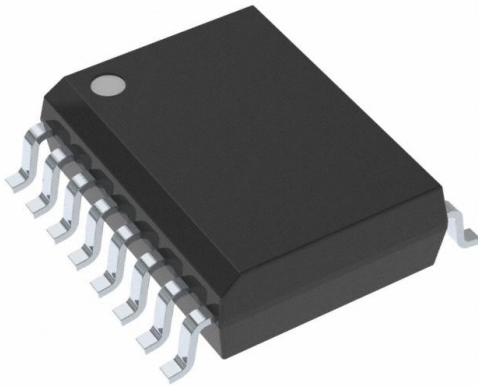


# AD7543GKR Datasheet

www.digi-electronics.com




<https://www.DiGi-Electronics.com>

DiGi Electronics Part Number	AD7543GKR-DG
Manufacturer	<a href="#">Analog Devices Inc.</a>
Manufacturer Product Number	AD7543GKR
Description	IC DAC 12BIT A-OUT 16SOIC
Detailed Description	12 Bit Digital to Analog Converter 1 16-SOIC

This model AD7543GKR is available at DiGi Electronics.

DiGi Electronics offers a global database of semiconductor and electronic component datasheets.

We welcome your inquiries regarding pricing, lead time, or other product-related questions.

 [Request a Quote](#)

 [Datasheet Search](#)



Tel: +00 852-30501935

RFQ Email: [Info@DiGi-Electronics.com](mailto:Info@DiGi-Electronics.com)

DiGi is a global authorized distributor of electronic components.

## Purchase and inquiry

Manufacturer Product Number:

AD7543GKR

Series:

-

DiGi-Electronics Programmable:

Not Verified

Number of D/A Converters:

1

Output Type:

Current - Unbuffered

Data Interface:

Serial

Voltage - Supply, Analog:

5V

INL/DNL (LSB):

±0.5 (Max), ±1 (Max)

Operating Temperature:

-40°C ~ 85°C

Supplier Device Package:

16-SOIC

Base Product Number:

AD7543

Manufacturer:

Analog Devices Inc.

Product Status:

Obsolete

Number of Bits:

12

Settling Time:

2µs

Differential Output:

Yes

Reference Type:

External

Voltage - Supply, Digital:

5V

Architecture:

R-2R

Package / Case:

16-SOIC (0.295", 7.50mm Width)

Mounting Type:

Surface Mount

## Environmental & Export classification

Moisture Sensitivity Level (MSL):

1 (Unlimited)

HTSUS:

8542.39.0001

ECCN:

EAR99



# CMOS Serial Input 12-Bit DAC

## AD7543

### FEATURES

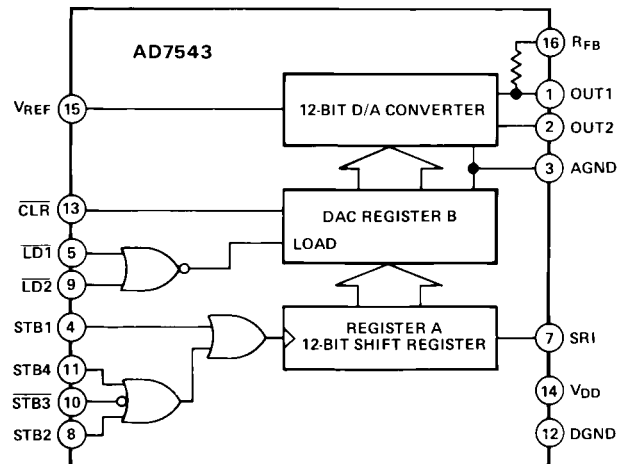
**Resolution: 12 Bits**  
**Nonlinearity:  $\pm 1/2\text{LSB } T_{\min}$  to  $T_{\max}$**   
**Low Gain T.C.:  $2\text{ppm}/^\circ\text{C}$  typ,  $5\text{ppm}/^\circ\text{C}$  max**  
**Serial Load on Positive or Negative Strobe**  
**Asynchronous CLEAR Input for Initialization**  
**Full 4-Quadrant Multiplication**  
**Low Multiplying Feedthrough: 1LSB max @ 10kHz**  
**Requires no Schottky Diode Output Protection**  
**Low Power Dissipation: 40mW max**  
**+5V Supply**  
**Small Size: 16-Pin DIP or 20-Terminal Surface Mount Package**  
**Low Cost**

### GENERAL DESCRIPTION

The AD7543 is a precision 12-bit monolithic CMOS multiplying DAC designed for serial interface applications.

The DAC's logic circuitry consists of a 12-bit serial-in parallel-out shift register (Register A) and a 12-bit DAC input register (Register B). Serial data at the AD7543 SRI pin is clocked into Register A on the leading or trailing edge (user selected) of the strobe input. Once Register A is full its contents are loaded into Register B under control of the LOAD inputs.

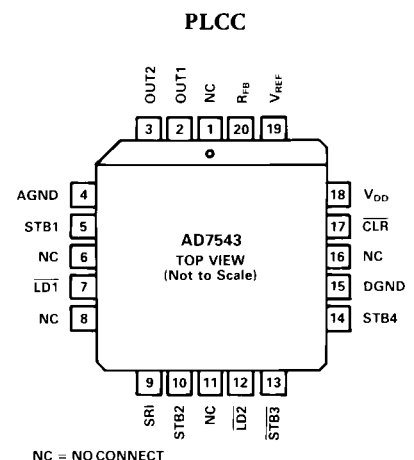
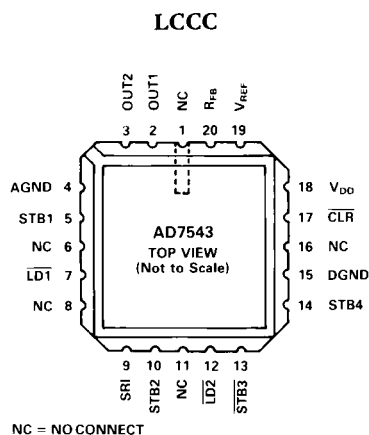
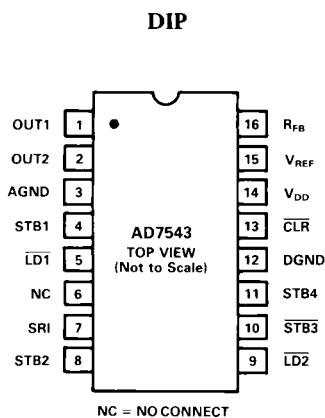
### FUNCTIONAL BLOCK DIAGRAM



Initialization is simplified by the use of the CLR input which provides an asynchronous reset of Register B.

Packaged in 16-pin DIP and 20-pin LCCC and PLCC, the AD7543 features excellent gain T.C. ( $2\text{ppm}/^\circ\text{C}$  typ;  $5\text{ppm}/^\circ\text{C}$  max), +5V operation and latch-free operation. (No protection Schottky Diodes required.)

### PIN CONFIGURATIONS



REV. B

Information furnished by Analog Devices is believed to be accurate and reliable. However, no responsibility is assumed by Analog Devices for its use; nor for any infringements of patents or other rights of third parties which may result from its use. No license is granted by implication or otherwise under any patent or patent rights of Analog Devices.

One Technology Way, P.O. Box 9106, Norwood, MA 02062-9106, U.S.A.  
 Tel: 617/329-4700 Fax: 617/326-8703 Twx: 710/394-6577  
 Telex: 924491 Cable: ANALOG NORWOODMASS

# AD7543—SPECIFICATIONS

 $(V_{DD} = +5V, V_{REF} = +10V, V_{OUT1} = V_{OUT2} = 0V, \text{ unless otherwise noted.})$ 

Parameter	Limit At $T_A = +25^\circ\text{C}$	Limit At <sup>1</sup> $T_A = -40^\circ\text{C}$ to $+85^\circ\text{C}$	Limit At <sup>1</sup> $T_A = -55^\circ\text{C}$ & $+125^\circ\text{C}$	Units	Conditions/Comments	
<b>ACCURACY</b>						
Resolution	12	12	12	Bits		
Relative Accuracy <sup>2</sup>						
J, A, S Versions	$\pm 1$	$\pm 1$	$\pm 1$	LSB max		
K, B, T Versions	$\pm 1/2$	$\pm 1/2$	$\pm 1/2$	LSB max		
GK, GB, GT Versions	$\pm 1/2$	$\pm 1/2$	$\pm 1/2$	LSB max		
Differential Nonlinearity <sup>2</sup>						
J, A, S Versions	$\pm 2$	$\pm 2$	$\pm 2$	LSB max	Monotonic to 11 bits from $T_{min}$ to $T_{max}$	
K, B, T Versions	$\pm 1$	$\pm 1$	$\pm 1$	LSB max	Monotonic to 12 bits from $T_{min}$ to $T_{max}$	
GK, GB, GT Versions	$\pm 1$	$\pm 1$	$\pm 1$	LSB max	Monotonic to 12 bits from $T_{min}$ to $T_{max}$	
Gain Error <sup>2</sup>						
J, K, A, B, S, T	$\pm 12.3$	$\pm 13.5$	$\pm 14.5$	LSB max	Using internal RFB only (gain error can be trimmed to zero using circuits of Figures 6 & 7)	
GK, GB, GT	$\pm 1$	$\pm 1$	$\pm 2$	LSB max		
Gain Temperature Coefficient						
$\Delta\text{Gain}/\Delta\text{Temperature}$	5	5	5	ppm/ $^\circ\text{C}$ max	Typical value is 2ppm/ $^\circ\text{C}$	
Power Supply Rejection						
$\Delta\text{Gain}/\Delta V_{DD}$	0.005	0.01	0.01	% per % max	$V_{DD} = +4.75V$ to $+5.25V$	
Output Leakage Current						
$I_{OUT1}$ (Pin 4)	1	10	200	nA max	DAC Register loaded with all 0s	
$I_{OUT2}$ (Pin 5)	1	10	200	nA max	DAC Register loaded with all 1s	
<b>DYNAMIC PERFORMANCE</b>						
Current Settling Time <sup>3</sup>	2.0	2.0	2.0	$\mu\text{s}$ max	To 1/2LSB. $I_{OUT1}$ load = 100 $\Omega$ . DAC output measured from falling edge of LD1 and LD2, see Figure 5.	
Multiplying Feedthrough Error <sup>3</sup>	2.5	2.5	2.5	mV p-p max	$V_{REF} = \pm 10V$ , 10kHz sine wave	
<b>REFERENCE INPUT</b>						
Input Resistance (pin 15)	8/15/25	8/15/25	8/15/25	k $\Omega$ min/typ/max	Typical temperature coefficient is -300ppm/ $^\circ\text{C}$	
<b>ANALOG OUTPUTS</b>						
Output Capacitance						
$C_{OUT1}$ <sup>3</sup>	75	75	75	pF max	Register B loaded to 0000 0000 0000	
$C_{OUT1}$ <sup>3</sup>	260	260	260	pF max	Register B loaded to 1111 1111 1111	
$C_{OUT2}$ <sup>3</sup>	75	75	75	pF max	Register B loaded to 1111 1111 1111	
$C_{OUT2}$ <sup>3</sup>	260	260	260	pf max	Register B loaded to 0000 0000 0000	
<b>LOGIC INPUTS</b>						
$V_{INH}$ (Logic HIGH Voltage)	+3.0	+3.0	+3.0	V min		
$V_{INL}$ (Logic LOW Voltage)	+0.8	+0.8	+0.8	V max		
$I_{IN}$ <sup>4</sup>	1	1	1	$\mu\text{A}$ max	$V_{IN} = 0V$ or $V_{DD}$	
$C_{IN}$ (Input Capacitance) <sup>3</sup>	8	8	8	pF max		
Input Coding	12-Bit Unipolar Binary or 12-Bit Offset Binary (see Figures 6 and 7), serial load (MSB First)					
<b>SWITCHING CHARACTERISTICS<sup>5</sup></b>						
$t_{DS1}$	50	100	100	ns min	(Serial Input to Strobe Setup Time)	STB1 used as a strobe
$t_{DS4}$	0	0	0	ns min		STB4 used as a strobe
$t_{DS3}$	0	0	0	ns min		$\overline{\text{STB3}}$ used as a strobe
$t_{DS2}$	20	40	40	ns min		STB2 used as a strobe
$t_{DH1}$	30	60	60	ns min	(Serial Input to Strobe Hold Time)	STB1 used as a strobe
$t_{DH4}$	80	160	160	ns min		STB4 used as a strobe
$t_{DH3}$	80	160	160	ns min		$\overline{\text{STB3}}$ used as a strobe
$t_{DH2}$	60	120	120	ns min		STB2 used as a strobe
$t_{SR1}$	80	160	160	ns min	SRI data pulse width	
$t_{STB1}$	80	160	160	ns min	STB1 pulse width	
$t_{STB4}$	100	200	200	ns min	STB4 pulse width	
$t_{STB3}$	100	200	200	ns min	STB3 pulse width	
$t_{STB2}$	80	160	160	ns min	STB2 pulse width	
$t_{LD1}, t_{LD2}$	150	300	300	ns min	Load pulse width	
$t_{ASB}$	0	0	0	ns min	Min time between strobing LSB into Register A and loading Register B	
$t_{CLR}$	200	400	400	ns min	CLR pulse width	
<b>POWER SUPPLY</b>						
$V_{DD}$ (Supply Voltage)	+5	+5	+5	V		
$I_{DD}$ (Supply Current)	2.5	2.5	2.5	mA max	Digital Inputs = $V_{INH}$ or $V_{INL}$	

**NOTES**

<sup>1</sup>Temperature ranges as follows: JN, KN, GKN Version:  $-40^\circ\text{C}$  to  $+85^\circ\text{C}$   
 AQ, BQ, GBQ Versions:  $-40^\circ\text{C}$  to  $+85^\circ\text{C}$   
 SQ, TQ, GTQ Versions:  $-55^\circ\text{C}$  to  $+125^\circ\text{C}$

<sup>2</sup>See Terminology on following page.

<sup>3</sup>Guaranteed but not tested.

<sup>4</sup>Logic inputs are MOS gates. Typical input current ( $+25^\circ\text{C}$ ) is less than 1nA.

<sup>5</sup>Sample tested at  $+25^\circ\text{C}$  to ensure compliance.

Specifications subject to change without notice.

**AD7543****ABSOLUTE MAXIMUM RATINGS\***(T<sub>A</sub> = +25°C unless otherwise noted)**ORDERING GUIDE**

	Model	Temperature Range	Relative Accuracy	Gain Error	Package Option*
V <sub>DD</sub> to AGND	AD7543JN	-40°C to +85°C	±1LSB	±12.3LSB	N-16
V <sub>DD</sub> to DGND	AD7543KN	-40°C to +85°C	±1/2LSB	±12.3LSB	N-16
AGND to DGND	AD7543GKN	-40°C to +85°C	±1/2LSB	±1LSB	N-16
DGND to AGND	AD7543JP	-40°C to +85°C	±1LSB	±12.3LSB	P-20A
Digital Input Voltage to DGND	AD7543KP	-40°C to +85°C	±1/2LSB	±12.3LSB	P-20A
V <sub>OUT1</sub> , V <sub>OUT2</sub> to AGND	AD7543GKP	-40°C to +85°C	±1/2LSB	±1LSB	P-20A
V <sub>REF</sub> to AGND	AD7543JR	-40°C to +85°C	±1LSB	±12.3LSB	R-16
V <sub>RFB</sub> to AGND	AD7543KR	-40°C to +85°C	±1/2LSB	±12.3LSB	R-16
Power Dissipation (Package)	AD7543GKR	-40°C to +85°C	±1/2LSB	±1LSB	R-16
Plastic	AD7543AQ	-40°C to +85°C	±1LSB	±12.3LSB	Q-16
To +70°C	AD7543BQ	-40°C to +85°C	±1/2LSB	±12.3LSB	Q-16
Derates above +70°C by	AD7543BQ	-40°C to +85°C	±1/2LSB	±12.3LSB	Q-16
	AD7543GBQ	-40°C to +85°C	±1/2LSB	±1LSB	Q-16
Cerdip	AD7543SQ	-55°C to +125°C	±1LSB	±12.3LSB	Q-16
To +75°C	AD7543TQ	-55°C to +125°C	±1/2LSB	±12.3LSB	Q-16
Derates above +75°C by	AD7543GTQ	-55°C to +125°C	±1/2LSB	±1LSB	Q-16
	AD7543SE	-55°C to +125°C	±1LSB	±12.3LSB	E-20A
Operating Temperature Range	AD7543TE	-55°C to +125°C	±1/2LSB	±12.3LSB	E-20A
Commercial (J, K, GK Versions)	AD7543GTE	-55°C to +125°C	±1/2LSB	±1LSB	E-20A
Industrial (A, B, GB Versions)					
Extended (S, T, GT Versions)					
Storage Temperature					
Lead Temperature (Soldering, 10secs)					

\*E = Leadless Ceramic Chip Carrier (LCCC); N = Plastic DIP; P = Plastic Leaded Chip Carrier (PLCC); Q = Cerdip; R = Small Outline IC (SOIC).

\*Stresses above those listed under "Absolute Maximum Ratings" may cause permanent damage to the device. This is a stress rating only and functional operation of the device at these or any other conditions above those above those indicated in the operational sections of this specification is not implied. Exposure to absolute maximum rating conditions for extended periods may affect device reliability.

**CAUTION**

ESD (electrostatic discharge) sensitive device. The digital control inputs are diode protected; however, permanent damage may occur on unconnected devices subject to high energy electrostatic fields. Unused devices must be stored in conductive foam or shunts. The protective foam should be discharged to the destination socket before devices are removed.



PIN	MNEMONIC	FUNCTION
1	OUT1	DAC current output bus. Normally terminated at op amp virtual ground
2	OUT2	DAC current output bus. Normally terminated at AGND
3	AGND	Analog Ground
4	STB1	Register A Strobe 1 input, see Table II
5	$\overline{\text{LD1}}$	DAC Register B Load 1 input. When $\overline{\text{LD1}}$ and $\overline{\text{LD2}}$ go low the contents of Register A are loaded into DAC Register B
6	N/C	No Connection
7	SRI	Serial Data Input to Register A
8	STB2	Register A Strobe 2 input, see Table II
9	$\overline{\text{LD2}}$	DAC Register B Load 2 input. When $\overline{\text{LD1}}$ and $\overline{\text{LD2}}$ go low the contents of Register A are loaded into DAC Register B
10	$\overline{\text{STB3}}$	Register A Strobe 3 input, see Table II
11	STB4	Register A Strobe 4 input, see Table II
12	DGND	Digital Ground
13	$\overline{\text{CLR}}$	Register B CLEAR input (active LOW), can be used to asynchronously reset Register B to 0000 0000 0000
14	V <sub>DD</sub>	+5V Supply Input
15	V <sub>REF</sub>	Reference input. Can be positive or negative dc voltage or ac signal
16	R <sub>F</sub> B	DAC Feedback Resistor

Table 1. Pin Function Description, DIP Configuration

# AD7543

## TERMINOLOGY

### RELATIVE ACCURACY

Relative accuracy or endpoint nonlinearity is a measure of the maximum deviation from a straight line passing through the endpoints of the DAC transfer function. It is measured after adjusting for ideal zero and full scale and is expressed in % or ppm of full-scale range or (sub) multiples of 1LSB.

### DIFFERENTIAL NONLINEARITY

Differential nonlinearity is the difference between the *measured* change and the *ideal* 1 LSB change between any two adjacent codes. A specified differential nonlinearity of  $\pm 1$  LSB max over the operating temperature range ensures monotonicity.

### GAIN ERROR

Gain is defined as the ratio of the DAC's Full Scale output to its reference input voltage. An *ideal* AD7543 would exhibit a gain of  $-4095/4096$ . Gain error is adjustable using external trims as shown in Figures 6 and 7.

### OUTPUT LEAKAGE CURRENT

Current which appears at OUT1 with Register B loaded to all 0's or at OUT 2 with Register B loaded to all 1's.

### MULTIPLYING FEEDTHROUGH ERROR

AC error due to capacitive feedthrough from  $V_{REF}$  terminal to OUT1 with DAC register loaded to all 0's.

## GENERAL CIRCUIT INFORMATION

The AD7543, a 12-bit multiplying D/A converter, consists of a highly stable thin film R-2R ladder and twelve N-channel current switches on a monolithic chip. Most applications require the addition of only an output operational amplifier and a voltage or current reference.

The simplified D/A circuit is shown in Figure 1. An inverted R-2R ladder structure is used—that is, the binary weighted currents are switched between the OUT1 and OUT2 bus lines, thus maintaining a constant current in each ladder leg independent of the switch state.

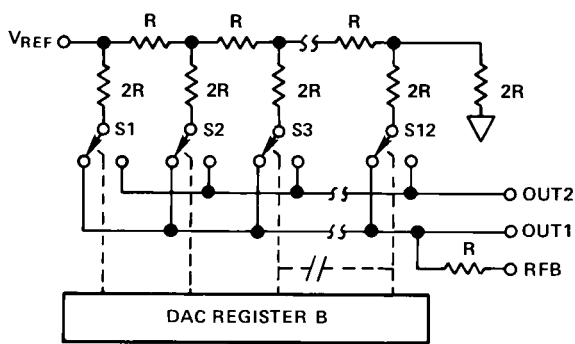


Figure 1. AD7543 Functional Diagram

One of the current switches is shown in Figure 2. The input resistance at  $V_{REF}$  (Figure 2) is always equal to  $R_{LDR}$  ( $R_{LDR}$  is the  $R/2R$  ladder characteristic resistance and is equal to value "R"). The reference terminal can be driven

by a reference voltage or a reference current, ac or dc, of positive or negative polarity. If a current source is used, a low temperature coefficient external  $R_{FB}$  is recommended to define scale factor.

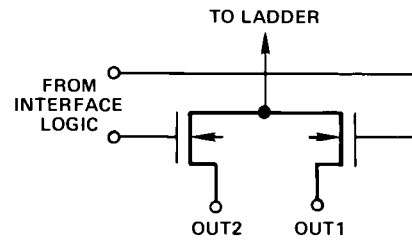


Figure 2. N-Channel Current Steering Switch

## EQUIVALENT CIRCUIT ANALYSIS

The equivalent circuits for all digital inputs LOW and all digital inputs HIGH are shown in Figures 3 and 4. In Figure 3 with all digital inputs LOW, the reference current is switched to OUT2. The current source  $I_{LEAKAGE}$  is composed of surface and junction leakages to the substrate, while the  $1/4096$  current source represents a constant 1 least significant bit current drain through the termination resistor on the R-2R ladder. The "ON" capacitance of the output N-channel switch is 260pF, as shown on the OUT2 terminal. The "OFF" switch capacitance is 75pF, as shown on the OUT1 terminal. Analysis of the circuit for all digital inputs HIGH, as shown in Figure 4, is similar to Figure 3; however, the "ON" switches are now on terminal OUT1, hence the 260pF at that terminal.

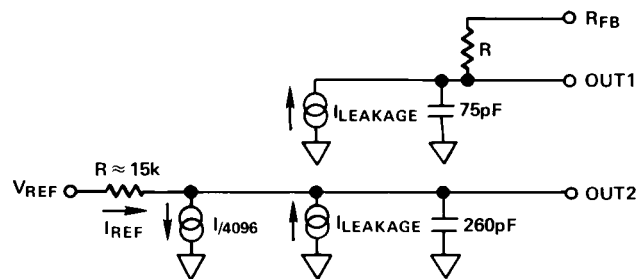


Figure 3. AD7543 DAC Equivalent Circuit All Digital Inputs LOW

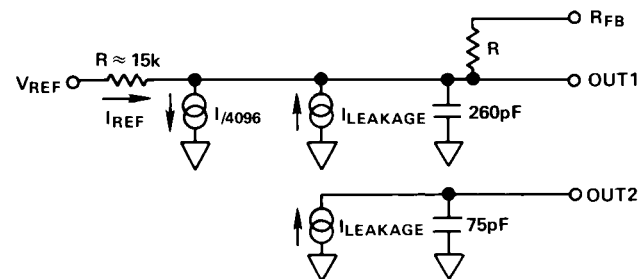


Figure 4. AD7543 DAC Equivalent Circuit All Digital Inputs HIGH

## Applications — AD7543

AD7543 Logic Inputs				AD7543 Operation			Notes	
Register A Control Inputs		Register B Control Inputs						
STB4	STB3	STB2	STB1	CLR	LD2	LD1		
0	1	0	$\uparrow$	X	X	X	Data Appearing At SR1 Strobed Into Register A	2,3
0	1	$\downarrow$	0	X	X	X	Data Appearing At SR1 Strobed Into Register A	2,3
0	$\downarrow$	0	0	X	X	X	Data Appearing At SR1 Strobed Into Register A	2,3
$\uparrow$	1	0	0	X	X	X	Data Appearing At SR1 Strobed Into Register A	2,3
1	X	X	X				No Operation (Register A)	3
X	0	X	X					
X	X	1	X					
X	X	X	1					
				0	X	X	Clear Register B To Code 0000 0000 0000 (Asynchronous Operation)	1,3
				1	1	X	No Operation (Register B)	3
				1	X	1		
				1	0	0	Load Register B With The Contents Of Register A	3

## NOTES:

- CLR = 0 Asynchronously resets Register B to 0000 0000 0000, but has no effect on Register A.
- Serial data is loaded into Register A MSB first, on edges shown  $\uparrow$  is positive edge  $\downarrow$  is negative edge.
- 0 = Logic LOW, 1 = Logic HIGH, X = Don't Care.

Table II. AD7543 Truth Table

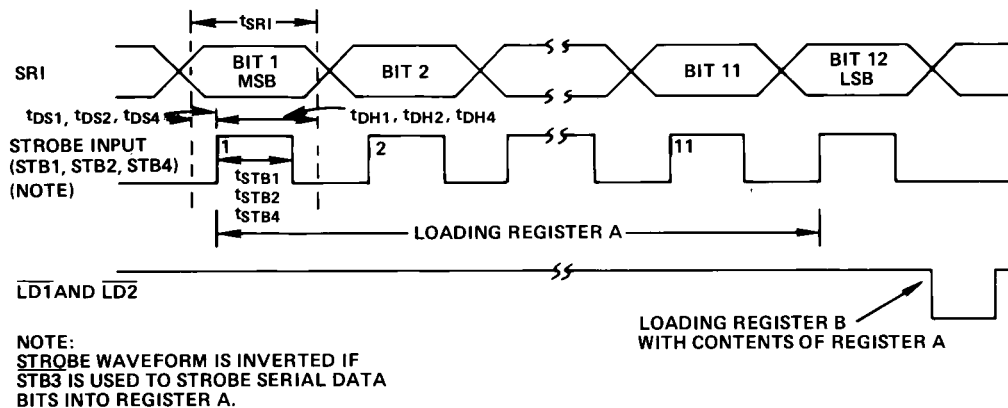


Figure 5. Timing Diagram

## INTERFACE LOGIC INFORMATION

Shown in the AD8543 Functional Diagram Register A is a 12-bit shift register. Serial data appearing at pin SR1 is clocked into the shift register on the leading (rising) edge of STB1, STB2 or STB4 or on the leading (falling) edge of  $\overline{STB3}$ . Table II defines the various logic states required on the Register A control inputs, while Figure 5 illustrates the Register A loading sequence.

Once Register A is full, the data is transferred to Register B by bringing  $\overline{LD1}$  and  $\overline{LD2}$  momentarily LOW.

Register B can be asynchronously reset to 0000 0000 0000 by bringing  $\overline{CLR}$  momentarily LOW. This allows the DAC output voltage to be set to a known condition, thus simplifying system initialization procedure. When operating the AD7543 in the unipolar circuit of Figure 6, a CLEAR causes the DAC output voltage to equal 0V. When using the bipolar circuit of Figure 7, a CLEAR causes the DAC output to equal  $-V_{REF}$ .

## APPLYING THE AD7543

UNIPOLAR BINARY OPERATION  
(2-QUADRANT MULTIPLICATION)

Figure 6 shows the analog circuit connections required for unipolar binary (2-quadrant multiplication) operation. The logic inputs are omitted for clarity. With a dc reference voltage or current (positive or negative polarity) applied at pin 15, the circuit is a unipolar D/A converter. With an ac reference voltage or current (again of + or - polarity) the circuit provides 2-quadrant multiplication (digitally controlled attenuation). The input/output relationship is shown in Table III.

R1 provides full scale trim capability [i.e.—load the DAC register to 1111 1111 1111, adjust R1 for  $V_{OUT} = -V_{REF}$  (4095/4096)]. Alternatively, Full Scale can be adjusted by omitting R1 and R2 and trimming the reference voltage magnitude.

C1 phase compensation (10pF to 25pF) may be required for stability when using high speed amplifiers. (C1 is used to cancel the pole formed by the DAC internal feedback resistance and output capacitance at OUT1).

## AD7543

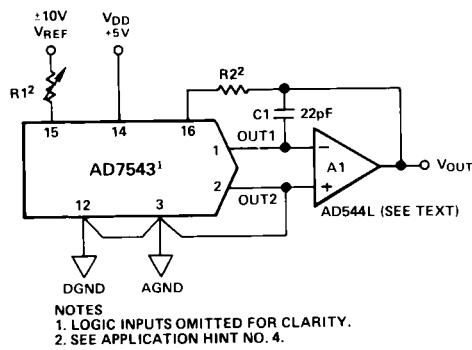


Figure 6. Unipolar Binary Operation (2-Quadrant Multiplication)

BINARY NUMBER IN DAC REGISTER		ANALOG OUTPUT, $V_{OUT}$
MSB	LSB	
1111	1111 1111	$-V_{REF} \left( \frac{4095}{4096} \right)$
1000	0000 0000	$-V_{REF} \left( \frac{2048}{4096} \right) = -1/2 V_{REF}$
0000	0000 0001	$-V_{REF} \left( \frac{1}{4096} \right)$
0000	0000 0000	0V

Table III. Unipolar Binary Code Table for Circuit of Figure 6

Amplifier A1 should be selected or trimmed to provide  $V_{OS} \leq 10\%$  of the voltage resolution at  $V_{OUT}$ . Additionally, the amplifier should exhibit a bias current which is low over the temperature range of interest (bias current causes output offset at  $V_{OUT}$  equal to  $I_B$  times the DAC feedback resistance, nominally  $15k\Omega$ ). The AD544L is a high-speed implanted FET-input op amp with low, factory-trimmed  $V_{OS}$ .

#### BIPOLAR OPERATION (4-QUADRANT MULTIPLICATION)

Figure 7 and Table IV illustrate the circuitry and code relationship for bipolar operation. With a dc reference (positive or negative polarity) the circuit provides offset binary operation. With an ac reference, the eleven LSBs provide digitally controlled attenuation of the ac reference while the MSB provides polarity control.

With the DAC register loaded to 1000 0000 0000, adjust R1 for  $V_{OUT} = 0V$  (alternatively, one can omit R1 and R2 and adjust the ratio of R3 to R4 for  $V_{OUT} = 0V$ ). Full scale trimming can be accomplished by adjusting the amplitude of  $V_{REF}$  or by varying the value of R5.

As in unipolar operation, A1 must be chosen for low  $V_{OS}$  and low  $I_B$ . R3, R4 and R5 must be selected for matching and tracking. Mismatch of  $2R3$  to R4 causes both offset and Full Scale error. Mismatch of R5 to R4 to  $2R3$  causes Full Scale error. C1 phase compensation (10pF to 25pF) may be required for stability.

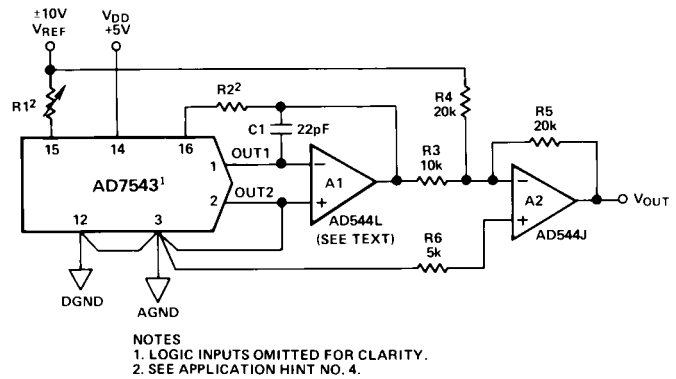


Figure 7. Bipolar Operation (4-Quadrant Multiplication)

BINARY NUMBER IN DAC REGISTER		ANALOG OUTPUT, $V_{OUT}$
MSB	LSB	
1111	1111 1111	$+V_{REF} \left( \frac{2047}{2048} \right)$
1000	0000 0001	$+V_{REF} \left( \frac{1}{2048} \right)$
1000	0000 0000	0V
0111	1111 1111	$-V_{REF} \left( \frac{1}{2048} \right)$
0000	0000 0000	$-V_{REF} \left( \frac{2048}{2048} \right)$

Table IV. Bipolar Code Table for Offset Binary Circuit of Figure 7

#### APPLICATION HINTS

The AD7543 is a precision 12-bit multiplying DAC designed for serial interface. To ensure system performance consistent with AD7543 specifications, careful attention must be given to the following points:

- GENERAL GROUND MANAGEMENT:** Voltage differences between the AD7543 AGND and DGND cause loss of accuracy (dc voltage difference between the grounds introduces gain error. AC or transient voltages between the grounds cause noise injection into the analog output). The simplest method of ensuring that voltages at AGND and DGND are equal is to tie AGND and DGND together at the AD7543. In more complex systems where the AGND-DGND connection is on the back-plane, it is recommended that diodes be connected back-to-back between the AD7543 AGND and DGND pins to prevent possible device damage.
- OUTPUT AMPLIFIER OFFSET:** CMOS DACs exhibit a code-dependent output resistance which in turn causes a code-dependent amplifier noise gain. The effect is a differential nonlinearity term at the amplifier output which depends on  $V_{OS}$  ( $V_{OS}$  is amplifier input offset voltage). This differential nonlinearity term adds to the  $R/2R$  differential nonlinearity. To maintain monotonic operation, it is recommended that amplifier  $V_{OS}$  be no greater than 10% of the DAC's output resolution over the temperature range of interest [output resolution =  $V_{REF} 2^{-n}$  where n is the number of bits exercised].

3. **HIGH FREQUENCY CONSIDERATIONS:** AD7543 output capacitance works in conjunction with the amplifier feedback resistance to add a pole to the open loop response. This not only reduces closed loop bandwidth, but can also cause ringing or oscillation if the spurious pole frequency is less than the amplifier's 0dB crossover frequency. Stability can be restored by adding a phase compensation capacitor in parallel with the feedback resistor.
4. **GAIN TEMPERATURE COEFFICIENTS:** The gain temperature coefficient of the AD7543 has a maximum value of  $5\text{ppm}/^\circ\text{C}$  and a typical value of  $2\text{ppm}/^\circ\text{C}$ . This corresponds to gain shifts of 2.0LSBs and 0.82LSBs respectively over a  $100^\circ\text{C}$  temperature range. When trim resistors are used to adjust full-scale range as shown in Figures 6 and 7 the temperature coefficient of R1 and R2 should be taken into account. It may be shown that the additional gain temperature coefficients introduced by R1 and R2 may be approximately expressed as follows:—

$$\text{Temperature Coefficient contribution due to R1} = -\frac{R_1}{R_{IN}} (\gamma_1 + 300)$$

$$\text{Temperature Coefficient contribution due to R2} = +\frac{R_2}{R_{IN}} (\gamma_2 + 300)$$

Where  $\gamma_1$  and  $\gamma_2$  are the temperature coefficients in  $\text{ppm}/^\circ\text{C}$  of R1 and R2 respectively and  $R_{IN}$  is the DAC input resistance at the  $V_{REF}$  terminal (pin 2). For high quality wire-wound resistors and trimming potentiometers  $\gamma$  is of the order of  $50\text{ppm}/^\circ\text{C}$ . It will be seen that if R1 and R2 are small compared with  $R_{IN}$ , their contribution to gain temperature coefficient will also be small. For the standard AD7543 gain error specification of  $\pm 12.3\text{LSBs}$  it is recommended that  $R_1 = 120\Omega$  and  $R_2 = 60\Omega$ . With  $\gamma = 50$  these values result in an overall maximum gain error temperature coefficient of:

$$5 + \frac{0.06}{7} (50 + 300) = 8\text{ppm}/^\circ\text{C}$$

However, if the AD7543GTD is used which has a specified gain error of  $\pm 1\text{LSB}$ , then with  $R_1 = 10\Omega$  and  $R_2 = 5\Omega$  the overall maximum gain temperature coefficient is increased by only  $0.25\text{ppm}/^\circ\text{C}$ . Where possible R1 should be a select on test fixed resistor since the resulting gain temperature coefficient will be tighter in all cases. For further gain T.C. information refer to application note, "Gain Error and Gain Temperature Coefficients of CMOS Multiplying DACs", Publication Number E630-10-6/81 available from Analog Devices.

5. For additional information on multiplying DACs refer to "Application Guide to CMOS Multiplying D/A Converters", Publication Number G479-15-8/78, available from Analog Devices.

### AD7543 INTERFACE TO MC6800

In this example, it is assumed that the 12-bit data is contained in two memory locations (0000 and 0001). The four most significant bits are assumed to occupy the lower half of memory location 0000. The eight least significant bits occupy memory location 0001. The data is presented bit by bit on the D7 line and strobed into the AD7543 by executing memory write instructions. In this case the strobe signal (STB1) is supplied by decoding address 2000,  $R/\bar{W}$  and  $\phi_2$ . A memory write instruction to a different address (4000) loads the data from Register A to the DAC register.

Figure 8 shows the interface circuitry and Table V gives a listing of the procedure.

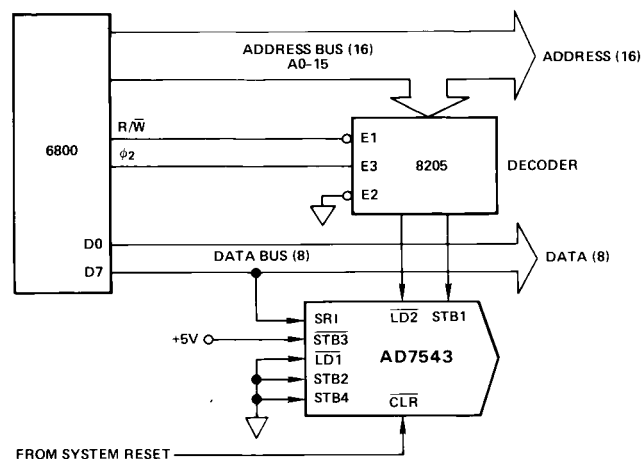


Figure 8. AD7543-MC6800 Interface

LABEL	MNEMONIC	OPERAND	COMMENT
LOOP	LDA	B, 04	
	LDA	A, 0000	Load 4 Most Significant Bits
	ROL	A	Reposition in the Data
	DEC	B	in ACC A
	BNE	LOOP	
SHIFT	LDA	B, 04	
	BSR	SHIFT	Output Data
	LDA	B, 08	
	LDA	A, 0001	Load 8 Least Significant Bits
	BSR	SHIFT	Output Data
SHIFT	STA	A, 4000	Load DAC Register
	RTS		Return to Main Program
	STA	A, 2000	Strobe Data
	ROL	A	into AD7543
	RTS		

Table V. Sample Routine for AD7543-MC6800 Interface

### AD7543 INTERFACE TO MCS-85

Figure 9 shows the AD7543 interfaced to the 8085. This system makes use of the serial output facility (SOD) on the 8085.

The data is presented serially on the SOD line and strobed into the AD7543 by executing memory write instructions. In this example the strobe signal (STB2) is supplied by decoding address 8000 and  $\bar{W}R$ . A memory write instruction to a different address (A000) loads the DAC Register with Register

# AD7543

A data. Table VI gives a listing of this procedure. Note, it is assumed that the required serial data is already present in right-justified format in Registers H and L when this procedure is implemented. Note that the sample routine of Table VI can be speeded up by replacing the SHIFT routine with a DAD H instruction.

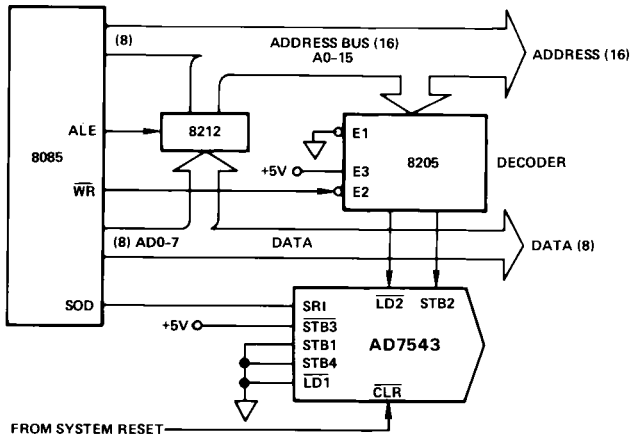
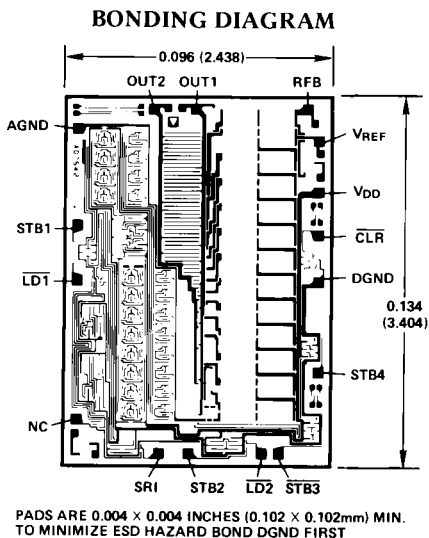


Figure 9. AD7543-8085 Interface

LABEL	MNEMONIC	OPERAND	COMMENT
LOOP	MVI	B, 05	Shift Data Up to Most Significant Segment of HL with MSB as Carry
	CALL	SHIFT	
	DCR	B	
LUP	JNZ	LOOP	SOD Enable in ACC Shift in MSB of H Set Interrupt Mask Strobe Data into AD7543 Get Next Bit into Carry
	MVI	B, 0C	
	MVI	A, 80	
SHIFT	RAR		Go Back if Not Finished Load DAC Register of AD7543 Return to Main Program Shift H and L Left One Place and Leave Uppermost Bit of H in Carry
	SIM		
	STA	8000	
	CALL	SHIFT	
	DCR	B	
	JNZ	LUP	
	STA	A000	
SHIFT	RET		Return to Main Program Shift H and L Left One Place and Leave Uppermost Bit of H in Carry
	MOV	A, L	
	RAL		
	MOV	L, A	
	MOV	A, H	
	MOV	H, A	

Table VI. Sample Routine for AD7543-8085 Interface

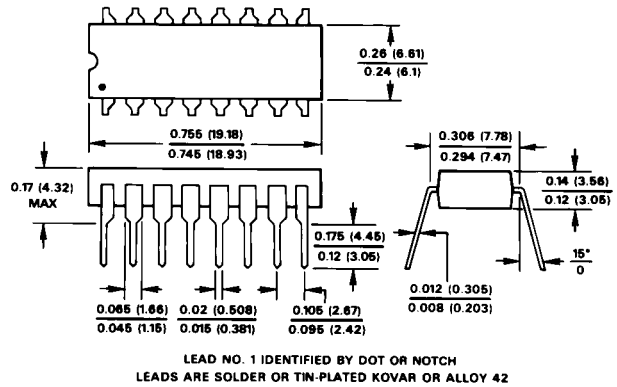


PADS ARE 0.004 x 0.004 INCHES (0.102 x 0.102mm) MIN. TO MINIMIZE ESD HAZARD BOND DGND FIRST

## OUTLINE DIMENSIONS

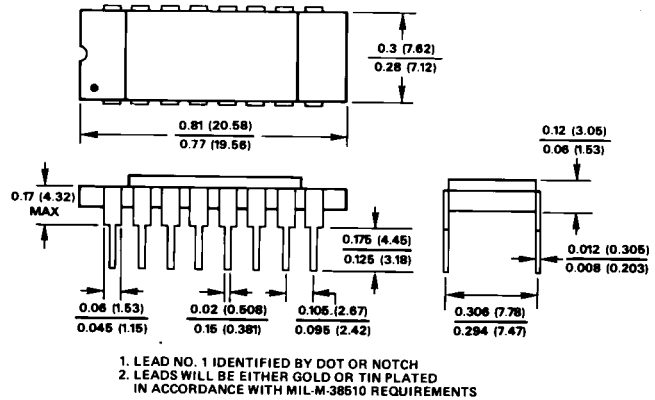
Dimensions shown in inches and (mm).

### 16-Pin Plastic DIP (N-16) Package



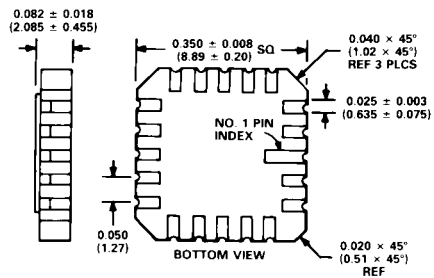
LEAD NO. 1 IDENTIFIED BY DOT OR NOTCH  
LEADS ARE SOLDER OR TIN-PLATED KOVAR OR ALLOY 42

### 16-Pin Ceramic DIP (D-16) Package

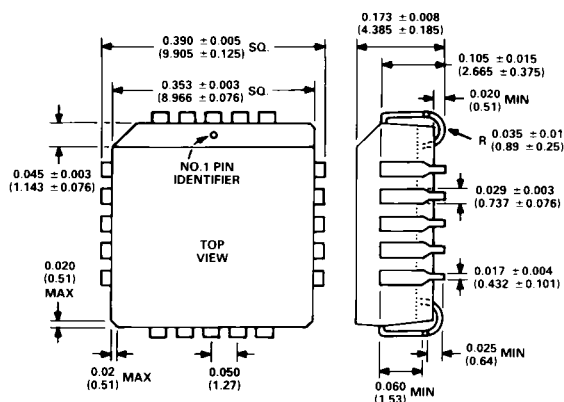


1. LEAD NO. 1 IDENTIFIED BY DOT OR NOTCH  
2. LEADS WILL BE EITHER GOLD OR TIN PLATED IN ACCORDANCE WITH MIL-M-38510 REQUIREMENTS

### 20-Pin Leadless Ceramic Chip Carrier (E-20A) Package



### 20-Pin Plastic Leaded Chip Carrier (P-20A) Package



C572c-5-5/84

PRINTED IN U.S.A.

## OUR CERTIFICATE

DiGi provide top-quality products and perfect service for customer worldwide through standardization, technological innovation and continuous improvement. DiGi through third-party certification, we stricly control the quality of products and services. Welcome your RFQ to

Email: [Info@DiGi-Electronics.com](mailto:Info@DiGi-Electronics.com)



Tel: +00 852-30501935

RFQ Email: [Info@DiGi-Electronics.com](mailto:Info@DiGi-Electronics.com)

DiGi is a global authorized distributor of electronic components.