

# DG1208ETE+T Datasheet



AHEAD OF WHAT'S POSSIBLE™

DiGi Electronics Part Number	DG1208ETE+T-DG
Manufacturer	<a href="#">Analog Devices Inc./Maxim Integrated</a>
Manufacturer Product Number	DG1208ETE+T
Description	LOW LEAKAGE, HIGH VOLTAGE 8:1 MU
Detailed Description	1 Circuit IC Switch 8:1 160Ohm 16-TQFN (4x4)

<https://www.DiGi-Electronics.com>



Tel: +00 852-30501935

RFQ Email: [Info@DiGi-Electronics.com](mailto:Info@DiGi-Electronics.com)

DiGi is a global authorized distributor of electronic components.

## Purchase and inquiry

Manufacturer Product Number:

DG1208ETE+T

Series:

-

Switch Circuit:

SP8T - Open

Number of Circuits:

1

Channel-to-Channel Matching ( $\Delta R_{on}$ ):

100ohm

Voltage - Supply, Dual ( $V_{\pm}$ ):

$\pm 5V \sim 20V$

-3db Bandwidth:

200MHz

Channel Capacitance (CS(off), CD(off)):

4pF, 15pF

Crosstalk:

-80dB @ 1MHz

Mounting Type:

Surface Mount

Supplier Device Package:

16-TQFN (4x4)

Manufacturer:

Analog Devices Inc./Maxim Integrated

Product Status:

Active

Multiplexer/Demultiplexer Circuit:

8:1

On-State Resistance (Max):

1600hm

Voltage - Supply, Single ( $V_{+}$ ):

-

Switch Time ( $T_{on}$ ,  $T_{off}$ ) (Max):

400ns, 400ns

Charge Injection:

0.5pC

Current - Leakage (IS(off)) (Max):

1nA

Operating Temperature:

-40°C ~ 85°C

Package / Case:

16-WQFN Exposed Pad

## Environmental & Export classification

RoHS Status:

ROHS3 Compliant

ECCN:

EAR99

Moisture Sensitivity Level (MSL):

1 (Unlimited)

HTSUS:

8542.39.0001



Click [here](#) to ask about the production status of specific part numbers.

## DG1208/DG1209

## Low-Leakage, Single 8-Channel and Dual 4-Channel, Analog Multiplexers

### General Description

The DG1208 and DG1209 are low-leakage, low-charge-injection, single 8-channel or dual 4-channel multiplexing switch devices. The DG1208 uses three selection inputs A2, A1, and A0 to determine the switching logic; the DG1209 uses two selection inputs A1 and A0. On both devices, an enable (EN) input is used to enable or disable the device.

The low capacitance and low charge injection of the DG1208/DG1209 make them ideal for automatic test equipment systems, data acquisition systems and sample-and-hold systems where low glitch and fast settling time are required.

The DG1208/DG1209 are available in 4mm x 4mm 16-lead TQFN or 16-lead TSSOP packages. The devices are specified for operation over the -40°C to +85°C temperature range.

### Applications

- Automatic Test Equipment Systems
- Data Acquisition Systems
- Sample-and-Hold Systems
- Communication Systems
- Audio and Video Routing

### Benefits and Features

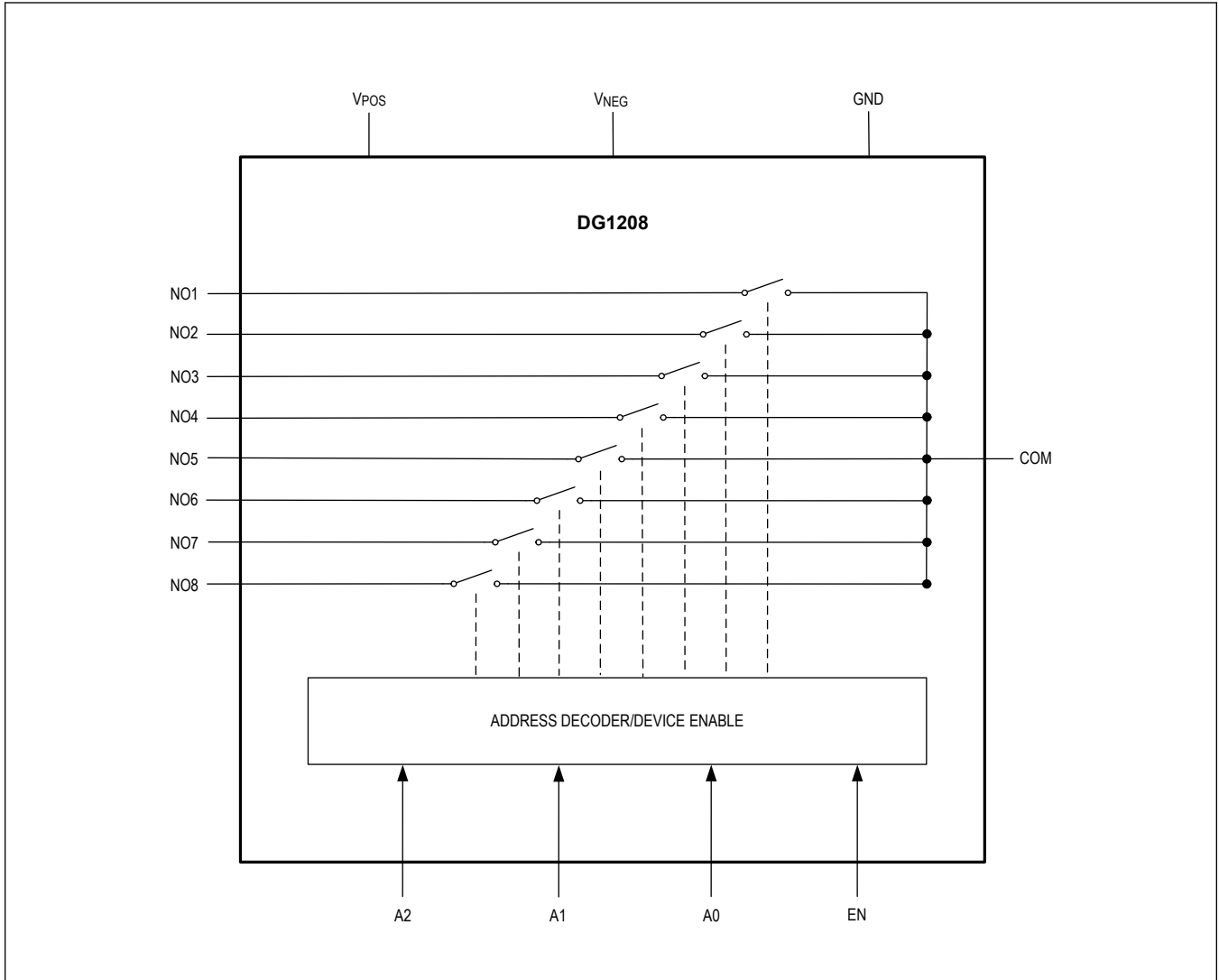
- Distortion-Free Measurement
  - 100Ω (typ) On Resistance
  - ≤ 1nA (max) On/Off-Leakage Current at +85°C
  - ≤ 0.5pC (typ) Charge Injection
- Wide Supply Range with Low Supply Current
  - 40μA (typ) Quiescent Current at Room Temperature
  - Fully Specified with ±15V Bipolar Supplies or +12V Single Supply
  - Rail-to-Rail Operation
- Flexible Design Option
  - GPIO-Compatible Control Inputs
  - EN Input to Enable/Disable Device
  - Available in both 16-TQFN and 16-TSSOP Packages
  - -40°C to +85°C Temperature Range

[Ordering Information](#) appears at end of data sheet.

# DG1208/DG1209

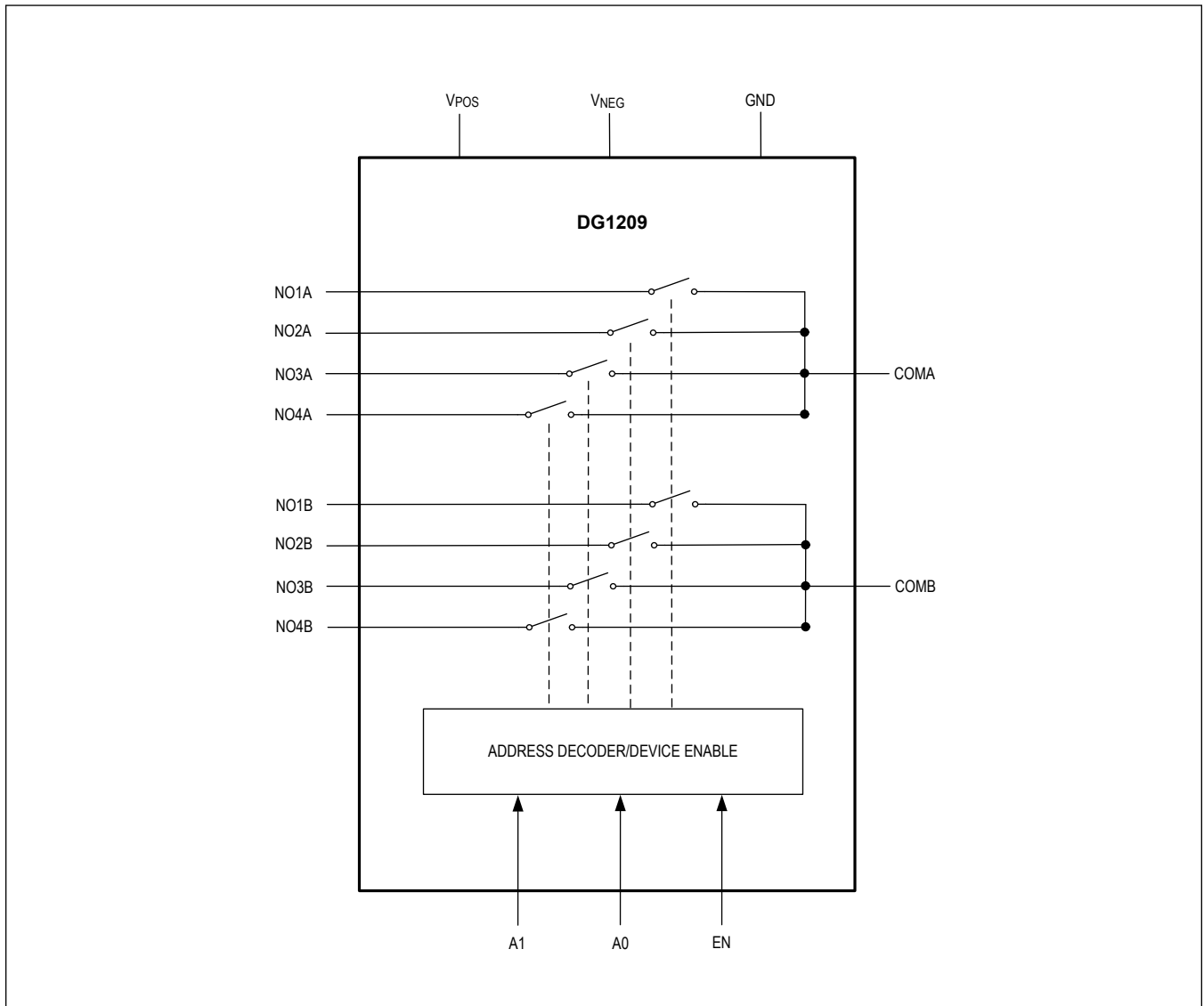
# Low-Leakage, Single 8-Channel and Dual 4-Channel, Analog Multiplexers

## Simplified Block Diagram



DG1208/DG1209

Low-Leakage, Single 8-Channel and Dual 4-Channel, Analog Multiplexers



## DG1208/DG1209

Low-Leakage, Single 8-Channel and Dual  
4-Channel, Analog Multiplexers

## Absolute Maximum Ratings

V <sub>POS</sub> to GND .....	-0.3V to +20.5V	Continuous Power Dissipation (16 TSSOP)
V <sub>NEG</sub> to GND .....	-20.5V to +0.3V	Single-Layer Board (T <sub>A</sub> = +70°C, derate 9.40mW/°C above
V <sub>POS</sub> to V <sub>NEG</sub> .....	-0.3V to +41V	+70°C) .....
A <sub>-</sub> EN to GND .....	-0.3V to (V <sub>POS</sub> + 0.3V)	754.70mW
NO <sub>-</sub> COM <sub>-</sub> to GND .....	(V <sub>NEG</sub> - 0.3V) to (V <sub>POS</sub> + 0.3V)	Multilayer Board (T <sub>A</sub> = +70°C, derate 11.10mW/°C above
Continuous Current Into Any Pin .....	±30mA	+70°C) .....
Continuous Power Dissipation (16 TQFN)		888.90mW
Single-Layer Board (T <sub>A</sub> = +70°C, derate 16.90mW/°C above		Operating Temperature Range .....
+70°C) .....	1349.10mW	Junction Temperature .....
Multilayer Board (T <sub>A</sub> = +70°C, derate 25mW/°C above		Storage Temperature Range .....
+70°C) .....	2000mW	Soldering Temperature (reflow) .....
		+260°C

Stresses beyond those listed under "Absolute Maximum Ratings" may cause permanent damage to the device. These are stress ratings only, and functional operation of the device at these or any other conditions beyond those indicated in the operational sections of the specifications is not implied. Exposure to absolute maximum rating conditions for extended periods may affect device reliability.

## Package Information

## 16 TQFN

Package Code	T1644+4
Outline Number	<a href="#">21-0139</a>
Land Pattern Number	<a href="#">90-0070</a>
<b>THERMAL RESISTANCE, SINGLE-LAYER BOARD</b>	
Junction to Ambient ( $\theta_{JA}$ )	59.30°C/W
Junction to Case ( $\theta_{JC}$ )	6°C/W
<b>THERMAL RESISTANCE, FOUR-LAYER BOARD</b>	
Junction to Ambient ( $\theta_{JA}$ )	40°C/W
Junction to Case ( $\theta_{JC}$ )	6°C/W

## 16 TSSOP

Package Code	U16+1
Outline Number	<a href="#">21-0066</a>
Land Pattern Number	<a href="#">90-0117</a>
<b>THERMAL RESISTANCE, SINGLE-LAYER BOARD</b>	
Junction to Ambient ( $\theta_{JA}$ )	106°C/W
Junction to Case ( $\theta_{JC}$ )	27°C/W
<b>THERMAL RESISTANCE, FOUR-LAYER BOARD</b>	
Junction to Ambient ( $\theta_{JA}$ )	90°C/W
Junction to Case ( $\theta_{JC}$ )	27°C/W

For the latest package outline information and land patterns (footprints), go to [www.maximintegrated.com/packages](http://www.maximintegrated.com/packages). Note that a "+", "#", or "-" in the package code indicates RoHS status only. Package drawings may show a different suffix character, but the drawing pertains to the package regardless of RoHS status.

Package thermal resistances were obtained using the method described in JEDEC specification JESD51-7, using a four-layer board. For detailed information on package thermal considerations, refer to [www.maximintegrated.com/thermal-tutorial](http://www.maximintegrated.com/thermal-tutorial).

## DG1208/DG1209

## Low-Leakage, Single 8-Channel and Dual 4-Channel, Analog Multiplexers

Electrical Characteristics -  $\pm 15V$  Bipolar Supplies(V<sub>POS</sub> = +15V, V<sub>NEG</sub> = -15V, GND = 0V, T<sub>A</sub> = -40°C to 85°C, unless otherwise noted.) (*Note 1*)

PARAMETER	SYMBOL	CONDITIONS	MIN	TYP	MAX	UNITS
<b>POWER SUPPLY</b>						
Positive Power-Supply Voltage	V <sub>POS</sub>		+5		+20	V
Negative Power-Supply Voltage	V <sub>NEG</sub>		-20		-5	V
Positive Power-Supply Current	I <sub>POS</sub>	EN = A <sub>-</sub> = 0V		40	70	μA
		EN = A <sub>-</sub> = 2.4V		40	80	
Negative Power-Supply Current	I <sub>NEG</sub>	EN = A <sub>-</sub> = 0V	-1		+1	μA
		EN = A <sub>-</sub> = 2.4V	-1		+1	
<b>ANALOG SWITCH</b>						
Analog-Signal Voltage Range	V <sub>NO_</sub> , V <sub>COM_</sub>		V <sub>NEG</sub>		V <sub>POS</sub>	V
On-Resistance	R <sub>ON</sub>	V <sub>COM_</sub> = 0V, ±5V, ±10V, I <sub>COM_</sub> = 1mA ( <i>Note 2</i> )		100	160	Ω
On-Resistance Match Between Channels	ΔR <sub>ON</sub>	V <sub>COM_</sub> = 0V, ±5V, ±10V, I <sub>COM_</sub> = 1mA ( <i>Note 2</i> )		10	30	Ω
On-Resistance Flatness	R <sub>FLAT</sub>	V <sub>COM_</sub> = -5V, 0V, +5V, I <sub>COM_</sub> = 1mA ( <i>Note 3</i> )		17	25	Ω
NO_ Off Capacitance	C <sub>NO_OFF</sub>	V <sub>NO_</sub> = 0.5V <sub>P-P</sub> , f <sub>SW</sub> = 1MHz		4		pF
COM_ Off Capacitance	C <sub>COM_OFF</sub>	V <sub>COM_</sub> = 0.5V <sub>P-P</sub> , f <sub>SW</sub> = 1MHz		15		pF
COM_ On Capacitance	C <sub>COM_ON</sub>	V <sub>COM_</sub> = 0.5V <sub>P-P</sub> , f <sub>SW</sub> = 1MHz		10		pF
NO_ Off-Leakage Current	I <sub>NO_OFF</sub>	V <sub>NO_</sub> = ±10V, V <sub>COM_</sub> = ∓10V ( <i>Note 4</i> )	-1		+1	nA
COM_ Off-Leakage Current	I <sub>COM_OFF</sub>	DG1208, V <sub>NO_</sub> = +1/+10V, V <sub>COM_</sub> = +10/+1V ( <i>Note 5</i> )	-1		+1	nA
		DG1209, V <sub>NO_</sub> = +1/+10V, V <sub>COM_</sub> = +10/+1V ( <i>Note 5</i> )	-1		+1	
COM_ On-Leakage Current	I <sub>COM_ON</sub>	DG1208, V <sub>NO_</sub> = V <sub>COM_</sub> = ±10V	-1		+1	nA
		DG1209, V <sub>NO_</sub> = V <sub>COM_</sub> = ±10V	-1		+1	
<b>DYNAMIC CHARACTERISTICS</b>						
Turn-On Time	t <sub>ON</sub>	<i>Figure 1</i> , V <sub>S</sub> = 10V		200	400	ns
Turn-Off Time	t <sub>OFF</sub>	<i>Figure 1</i> , V <sub>S</sub> = 10V		300	400	ns
Break-Before-Make Time	t <sub>BBM</sub>	<i>Figure 2</i> , V <sub>S</sub> = 10V	50			ns
Total Transition Time	t <sub>TT</sub>	<i>Figure 3</i> , V <sub>S</sub> = 10V			400	ns
-3dB Bandwidth	f <sub>BW</sub>	DG1208, <i>Figure 4</i> , R <sub>S</sub> = R <sub>L</sub> = 50Ω		200		MHz
		DG1209, <i>Figure 4</i> , R <sub>S</sub> = R <sub>L</sub> = 50Ω		250		
Total Harmonic Distortion Plus Noise	THD+N	<i>Figure 5</i> , R <sub>S</sub> = 50Ω, R <sub>L</sub> = 10kΩ, V <sub>S</sub> = 5V <sub>RMS</sub> , f <sub>SW</sub> = 20Hz to 20kHz		0.1		%
Off-Isolation		<i>Figure 6</i> , R <sub>S</sub> = R <sub>L</sub> = 50Ω, V <sub>NO_</sub> = 0.5V <sub>P-P</sub> , f <sub>SW</sub> = 1MHz		-80		dB
Crosstalk		<i>Figure 7</i> , R <sub>S</sub> = R <sub>L</sub> = 50Ω, V <sub>NO_</sub> = 0.5V <sub>P-P</sub> , f <sub>SW</sub> = 1MHz		-80		dB

## DG1208/DG1209

Low-Leakage, Single 8-Channel and Dual  
4-Channel, Analog MultiplexersElectrical Characteristics -  $\pm 15V$  Bipolar Supplies (continued)(V<sub>POS</sub> = +15V, V<sub>NEG</sub> = -15V, GND = 0V, T<sub>A</sub> = -40°C to 85°C, unless otherwise noted.) (Note 1)

PARAMETER	SYMBOL	CONDITIONS	MIN	TYP	MAX	UNITS
Charge Injection	C <sub>INJ</sub>	Figure 8, R <sub>S</sub> = 0Ω, V <sub>S</sub> = 0V		0.5		pC
<b>DIGITAL INPUTS (A<sub>-</sub>, EN)</b>						
Input Logic High Voltage	V <sub>IH</sub>		2.4			V
Input Logic Low Voltage	V <sub>IL</sub>				0.8	V
Input-Leakage Current	I <sub>IN</sub>		-5		+40	μA

## Electrical Characteristics - +12V Single Supply

(V<sub>POS</sub> = +12V, V<sub>NEG</sub> = GND = 0V, T<sub>A</sub> = -40°C to 85°C, unless otherwise noted.) (Note 1)

PARAMETER	SYMBOL	CONDITIONS	MIN	TYP	MAX	UNITS
<b>POWER SUPPLY</b>						
Positive Power-Supply Voltage	V <sub>POS</sub>		10	12	20	V
Positive Power-Supply Current	I <sub>POS</sub>	EN = A <sub>-</sub> = 0V			70	μA
		EN = A <sub>-</sub> = 2.4V			90	
<b>ANALOG SWITCH</b>						
Analog-Signal Voltage Range	V <sub>NO-</sub> , V <sub>COM-</sub>		0		V <sub>POS</sub>	V
On-Resistance	R <sub>ON</sub>	V <sub>COM-</sub> = 3V, 6V, 9V, I <sub>COM-</sub> = 1mA (Note 6)		165	250	Ω
On-Resistance Match Between Channels	ΔR <sub>ON</sub>	V <sub>COM-</sub> = 3V, 6V, 9V, I <sub>COM-</sub> = 1mA (Note 6)		18	50	Ω
On-Resistance Flatness	R <sub>FLAT</sub>	V <sub>COM-</sub> = 3V, 6V, 9V, I <sub>COM-</sub> = 1mA (Note 6)		15	50	Ω
NO <sub>-</sub> Off Capacitance	C <sub>NO-OFF</sub>	V <sub>NO-</sub> = 0.5V <sub>P-P</sub> , f <sub>SW</sub> = 1MHz		4		pF
COM <sub>-</sub> Off Capacitance	C <sub>COM-OFF</sub>	V <sub>COM-</sub> = 0.5V <sub>P-P</sub> , f <sub>SW</sub> = 1MHz		15		pF
COM <sub>-</sub> On Capacitance	C <sub>COM-ON</sub>	V <sub>COM-</sub> = 0.5V <sub>P-P</sub> , f <sub>SW</sub> = 1MHz		10		pF
NO <sub>-</sub> Off-Leakage Current	I <sub>NO-OFF</sub>	V <sub>NO-</sub> = +1/+10V, V <sub>COM-</sub> = +10/+1V (Note 7)	-1		+1	nA
COM <sub>-</sub> Off-Leakage Current	I <sub>COM-OFF</sub>	DG1208, V <sub>NO-</sub> = +1/+10V, V <sub>COM-</sub> = +10/+1V (Note 7)	-1		+1	nA
		DG1209, V <sub>NO-</sub> = +1/+10V, V <sub>COM-</sub> = +10/+1V (Note 7)	-1		+1	
COM <sub>-</sub> On-Leakage Current	I <sub>COM-ON</sub>	DG1208, V <sub>NO-</sub> = V <sub>COM-</sub> = +1V or +10V	-1		+1	nA
		DG1209, V <sub>NO-</sub> = V <sub>COM-</sub> = +1V or +10V	-1		+1	
<b>DYNAMIC CHARACTERISTICS</b>						
Turn-On Time	t <sub>ON</sub>	Figure 1, V <sub>S</sub> = 10V		400	600	ns
Turn-Off Time	t <sub>OFF</sub>	Figure 1, V <sub>S</sub> = 10V		250	500	ns
Break-Before-Make Time	t <sub>BBM</sub>	Figure 2, V <sub>S</sub> = 10V	50			ns
Total Transition Time	t <sub>TT</sub>	Figure 3, V <sub>S</sub> = 10V			700	ns
-3dB Bandwidth	f <sub>BW</sub>	DG1208, Figure 4, R <sub>S</sub> = R <sub>L</sub> = 50Ω		200		MHz
		DG1209, Figure 4, R <sub>S</sub> = R <sub>L</sub> = 50Ω		250		



DG1208/DG1209

Low-Leakage, Single 8-Channel and Dual 4-Channel, Analog Multiplexers

Electrical Characteristics - +12V Single Supply (continued)

(V<sub>POS</sub> = +12V, V<sub>NEG</sub> = GND = 0V, T<sub>A</sub> = -40°C to 85°C, unless otherwise noted.) (Note 1)

PARAMETER	SYMBOL	CONDITIONS	MIN	TYP	MAX	UNITS
Total Harmonic Distortion Plus Noise	THD+N	Figure 5, R <sub>S</sub> = 50Ω, R <sub>L</sub> = 10kΩ, V <sub>S</sub> = 5V <sub>RMS</sub> , f <sub>SW</sub> = 20Hz to 20kHz,		0.1		%
Off-Isolation		Figure 6, R <sub>S</sub> = R <sub>L</sub> = 50Ω, V <sub>NO_</sub> = 0.5V <sub>P-P</sub> , f <sub>SW</sub> = 1MHz		-80		dB
Crosstalk		Figure 7, R <sub>S</sub> = R <sub>L</sub> = 50Ω, V <sub>NO_</sub> = 0.5V <sub>P-P</sub> , f <sub>SW</sub> = 1MHz		-80		dB
Charge Injection	C <sub>INJ</sub>	Figure 8, V <sub>S</sub> = 6V, R <sub>S</sub> = 0Ω		0.5		pC
<b>DIGITAL INPUTS (A<sub>n</sub>, EN)</b>						
Input Logic High Voltage	V <sub>IH</sub>		2.4			V
Input Logic Low Voltage	V <sub>IL</sub>				0.8	V
Input-Leakage Current	I <sub>IN</sub>		-5		+30	μA

**Note 1:** Limits are 100% tested at T<sub>A</sub> = +85°C. Limits over the operating temperature range and relevant supply-voltage range are guaranteed by design and characterization.

**Note 2:** On Resistance (R<sub>ON</sub>) and On-Resistance Match Between Channels (ΔR<sub>ON</sub>) are measured when the output channel is turned on. The output (COM<sub>n</sub>) is sourced with 1mA current while biased at one of these levels: 0V, ±5V, or ±10V.

**Note 3:** On-Resistance Flatness (R<sub>FLAT</sub>) is measured when the output channel is turned on. The output (COM<sub>n</sub>) is sourced with 1mA current while biased at one of these levels: -5V, 0V, or +5V.

**Note 4:** NO<sub>n</sub> Off-Leakage Current (I<sub>NO<sub>n</sub> OFF</sub>) is measured when the output channel is switched off while the input (NO<sub>n</sub>) is biased at +10V and output (COM<sub>n</sub>) at -10V, or while the input is biased at -10V and output at +10V.

**Note 5:** COM<sub>n</sub> Off-Leakage Current (I<sub>COM<sub>n</sub> OFF</sub>) is measured when the output channel is switched off while the input (NO<sub>n</sub>) is biased at +1V and output (COM<sub>n</sub>) at +10V, or while the input is biased at +10V and output at +1V.

**Note 6:** On Resistance (R<sub>ON</sub>), On-Resistance Match Between Channels (ΔR<sub>ON</sub>), and On-Resistance Flatness (R<sub>FLAT</sub>) are measured when the output channel is turned on. The output (COM<sub>n</sub>) is sourced with 1mA current while biased at one of these levels: 3V, 6V, or 9V.

**Note 7:** NO<sub>n</sub> Off-Leakage Current (I<sub>NO<sub>n</sub> OFF</sub>) and COM<sub>n</sub> Off-Leakage Current (I<sub>COM<sub>n</sub> OFF</sub>) are measured when the output channel is switched off while the input (NO<sub>n</sub>) is biased at +1V and output (COM<sub>n</sub>) at +10V, or while the input is biased at +10V and output at +1V.

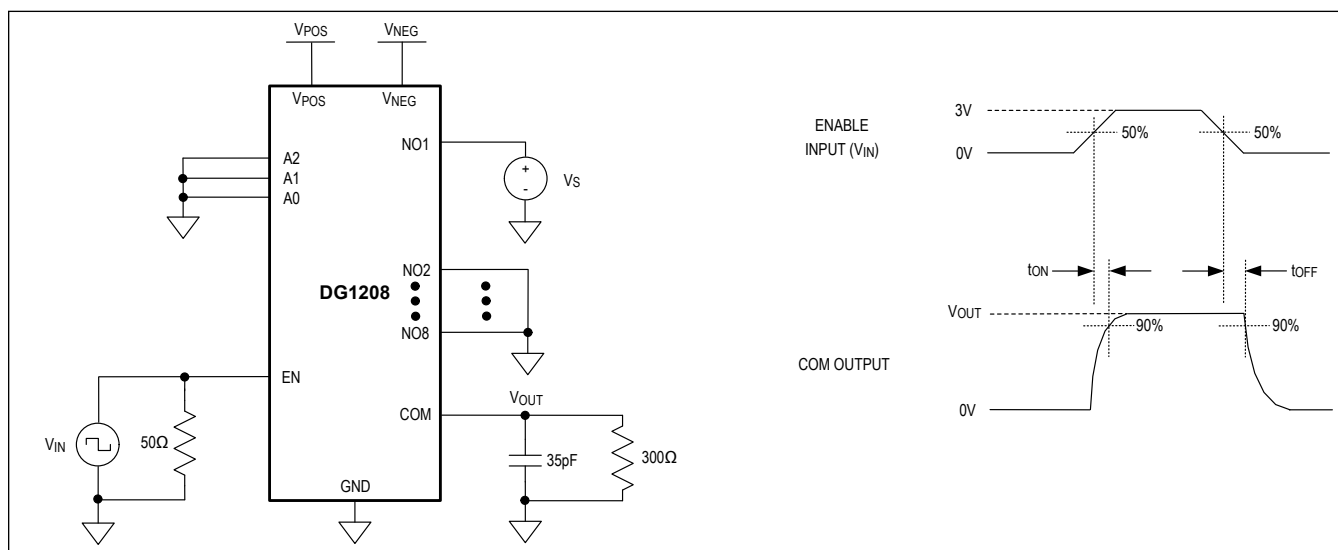


Figure 1. Turn-On Time and Turn-Off Time (Similar Connection for DG1209)

DG1208/DG1209

Low-Leakage, Single 8-Channel and Dual 4-Channel, Analog Multiplexers

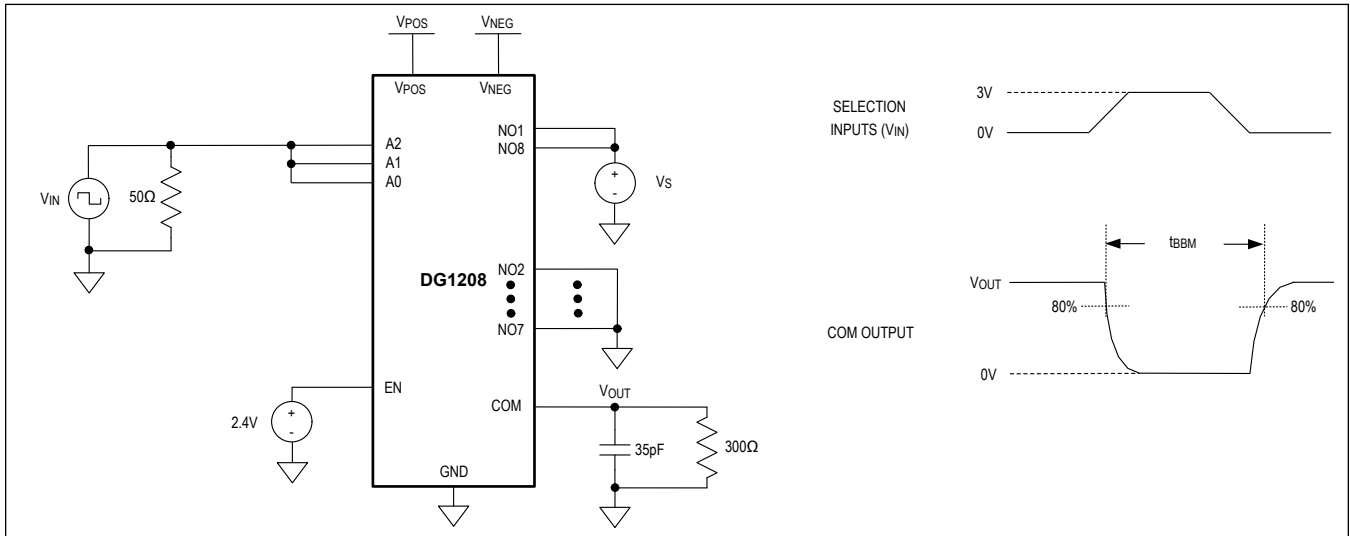


Figure 2. Break-Before-Make Time (Similar Connection for DG1209)

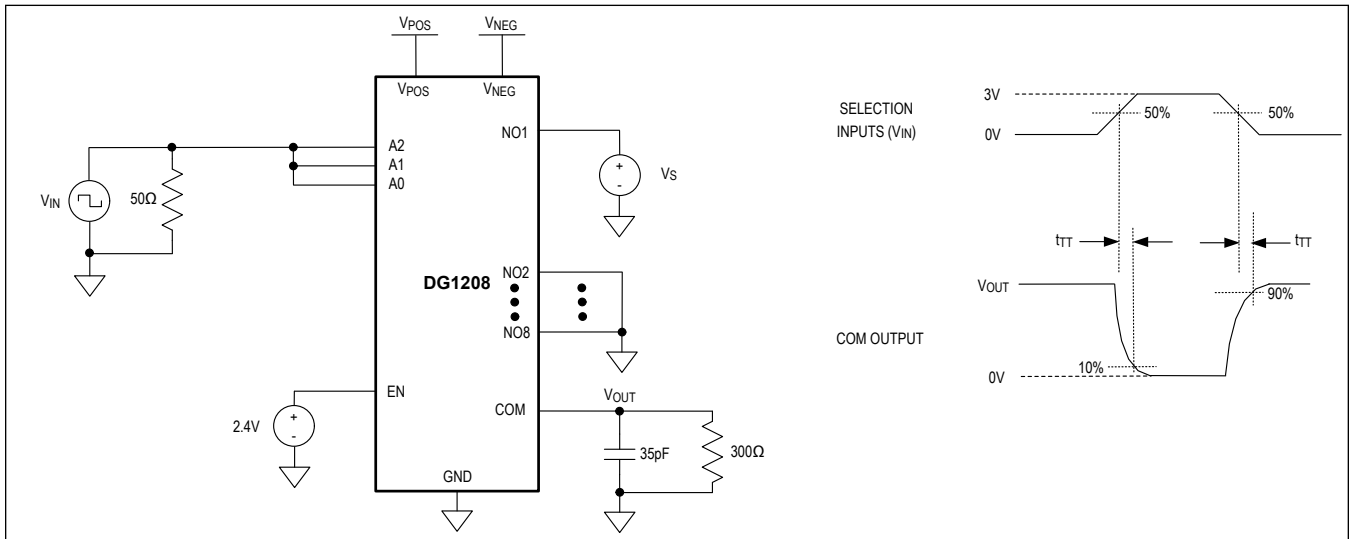


Figure 3. Total Transition Time (Similar Connection for DG1209)

DG1208/DG1209

Low-Leakage, Single 8-Channel and Dual 4-Channel, Analog Multiplexers

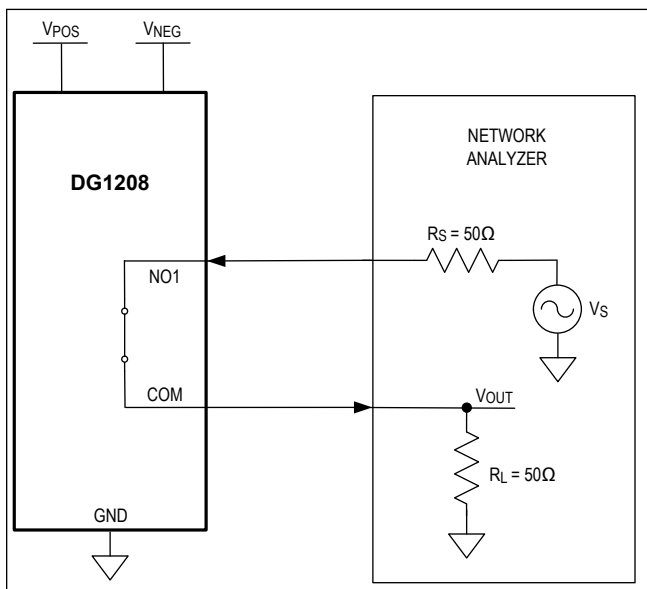


Figure 4. -3dB Bandwidth (Similar Connection for DG1209)

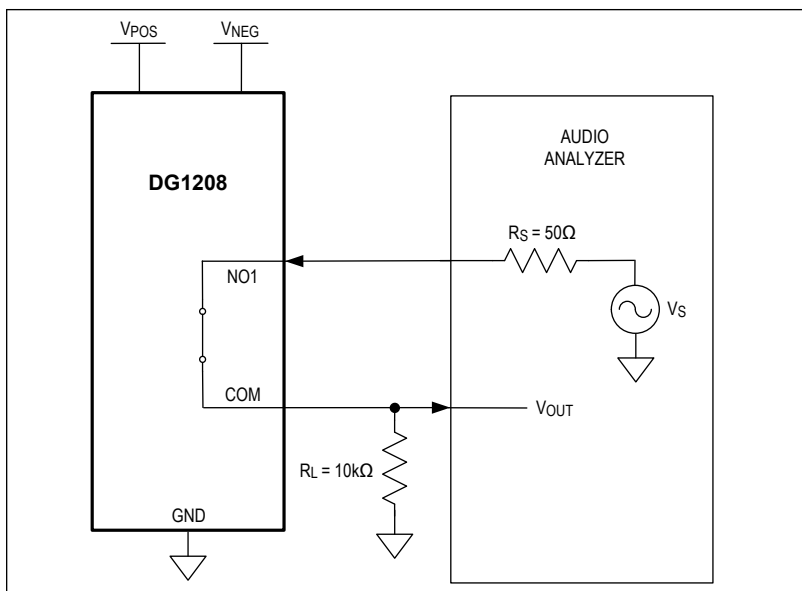


Figure 5. Total Harmonic Distortion Plus Noise (Similar Connection for DG1209)

DG1208/DG1209

Low-Leakage, Single 8-Channel and Dual 4-Channel, Analog Multiplexers

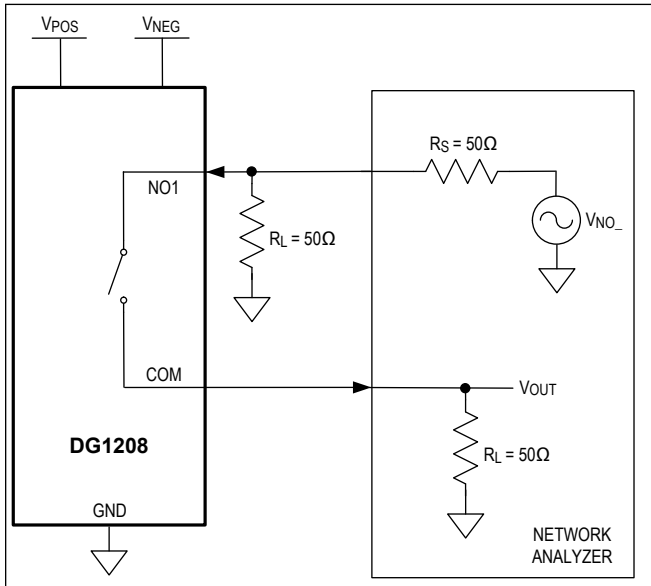


Figure 6. Off Isolation (Similar Connection for DG1209)

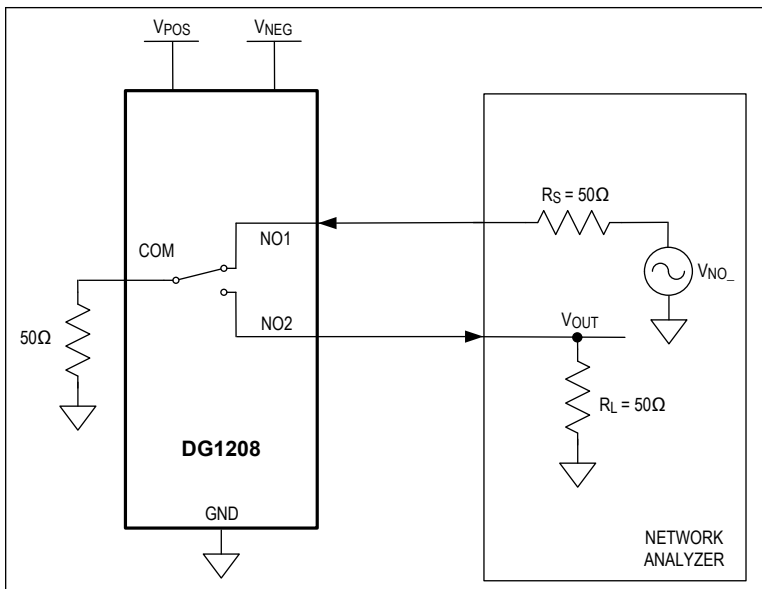


Figure 7. Crosstalk (Similar Connection for DG1209)

DG1208/DG1209

Low-Leakage, Single 8-Channel and Dual 4-Channel, Analog Multiplexers

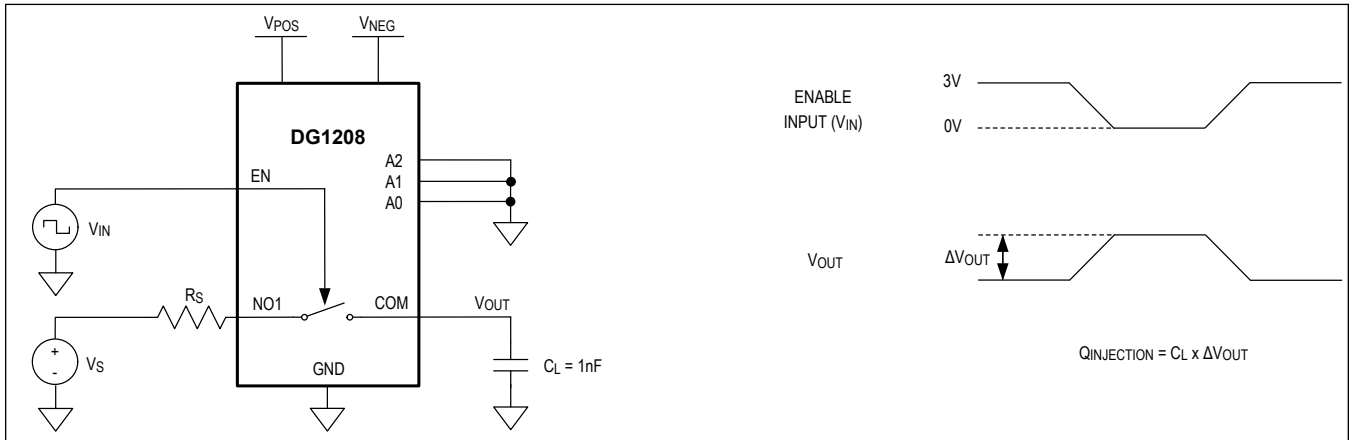


Figure 8. Charge Injection (Similar Connection for DG1209)

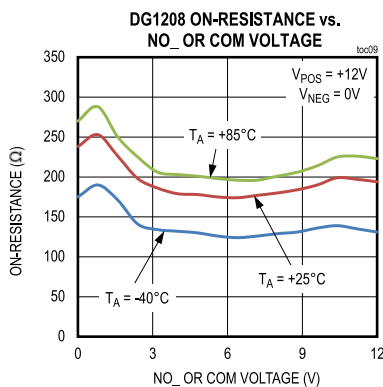
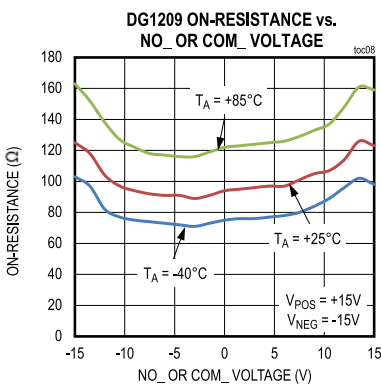
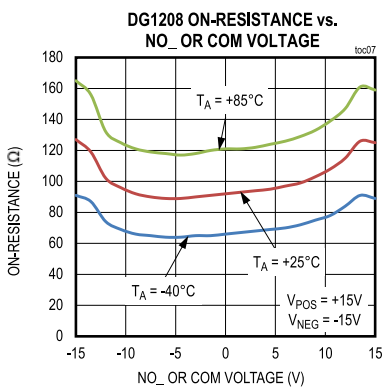
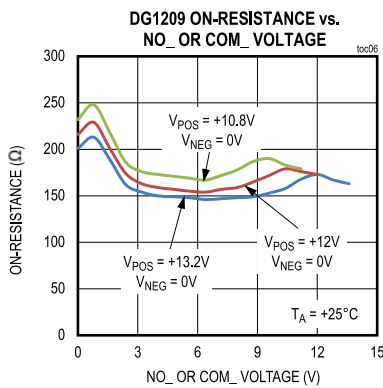
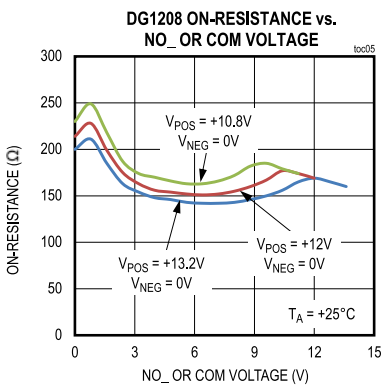
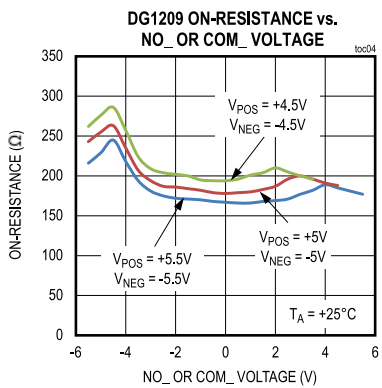
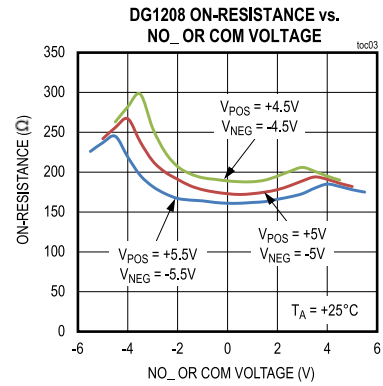
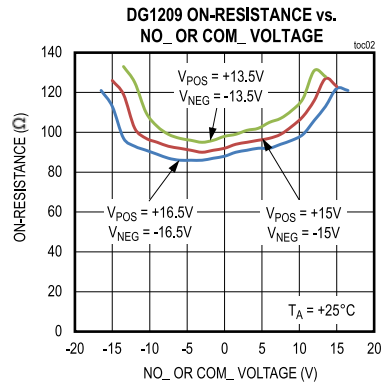
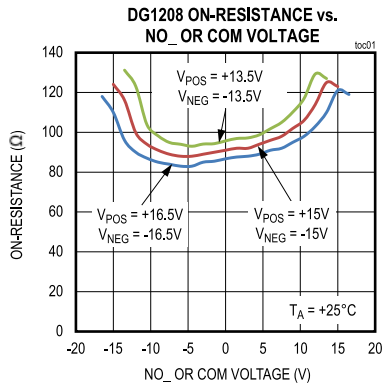


# DG1208/DG1209

# Low-Leakage, Single 8-Channel and Dual 4-Channel, Analog Multiplexers

## Typical Operating Characteristics

( $T_A = 25^\circ\text{C}$ , unless otherwise noted.)

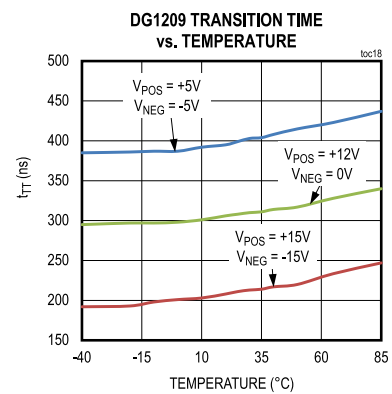
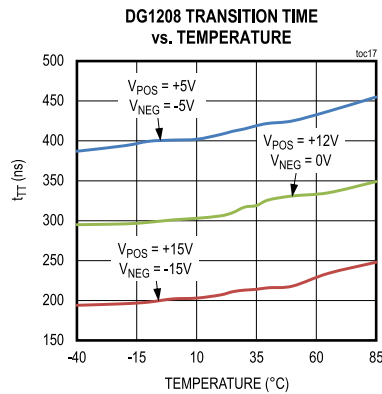
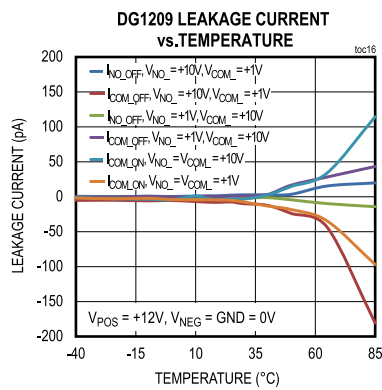
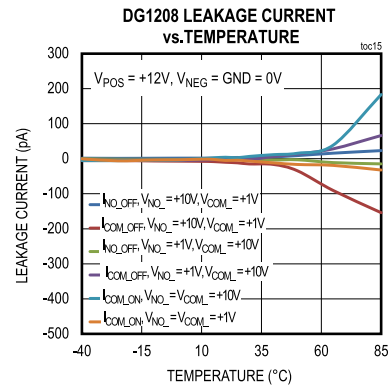
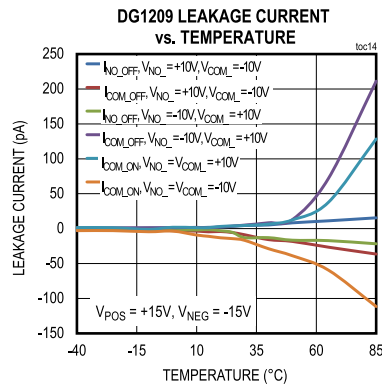
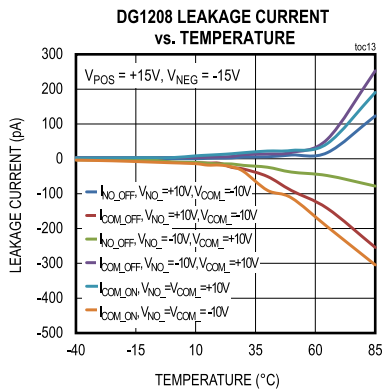
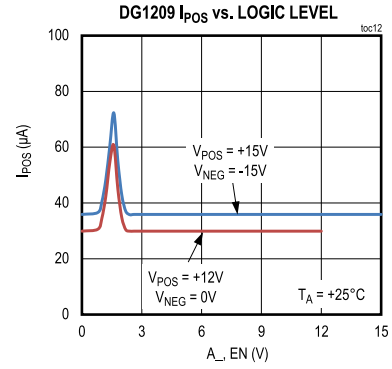
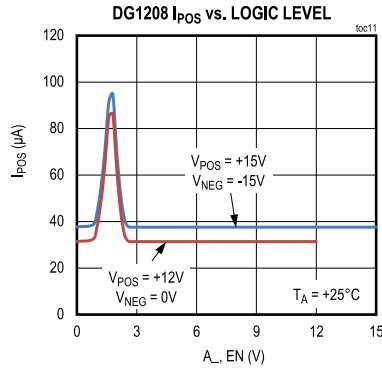
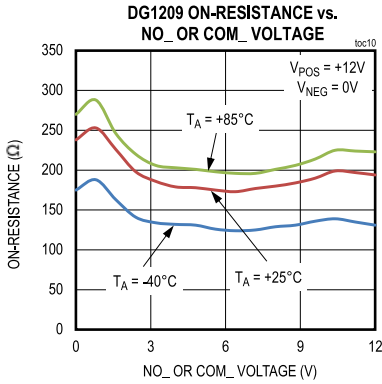


# DG1208/DG1209

# Low-Leakage, Single 8-Channel and Dual 4-Channel, Analog Multiplexers

## Typical Operating Characteristics (continued)

( $T_A = 25^\circ\text{C}$ , unless otherwise noted.)

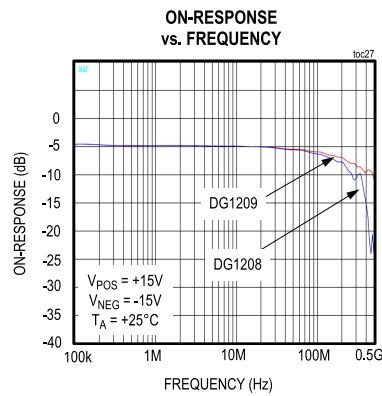
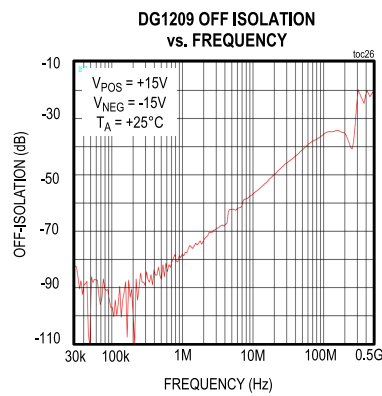
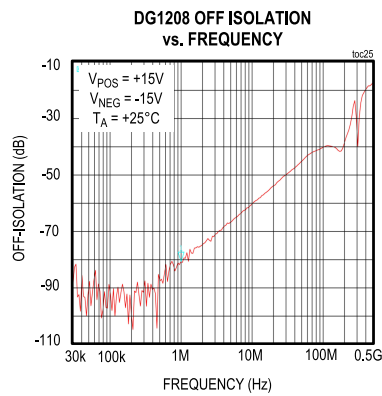
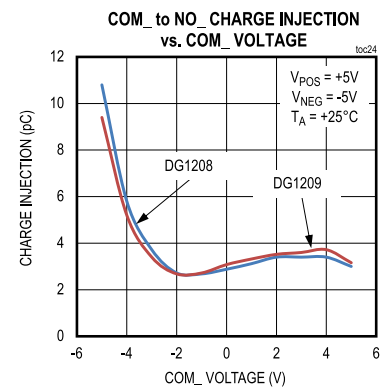
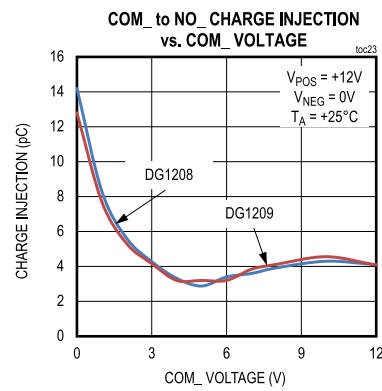
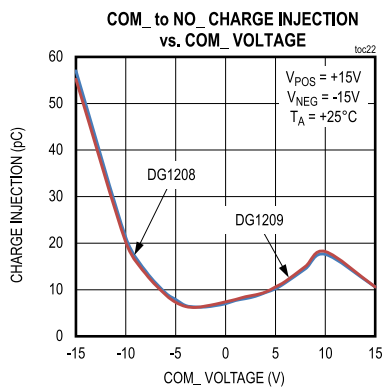
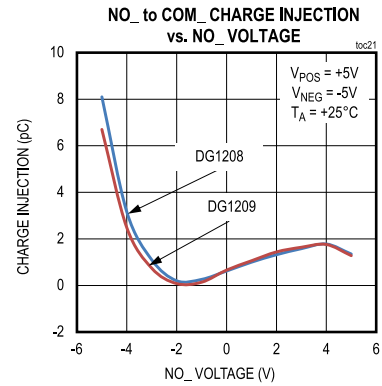
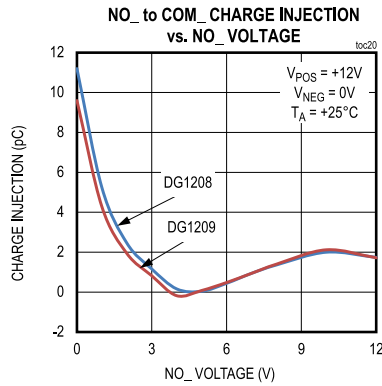
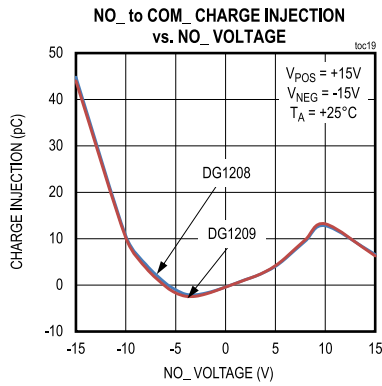


# DG1208/DG1209

# Low-Leakage, Single 8-Channel and Dual 4-Channel, Analog Multiplexers

## Typical Operating Characteristics (continued)

(T<sub>A</sub> = 25°C, unless otherwise noted.)

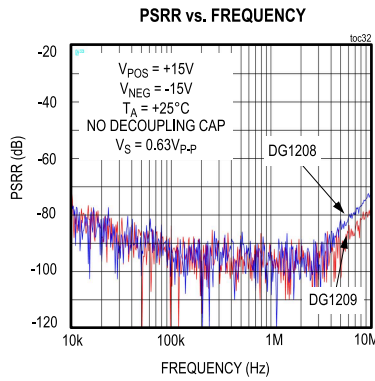
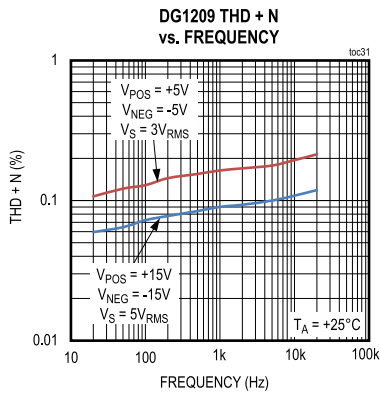
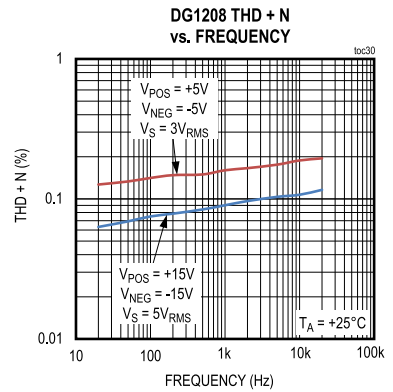
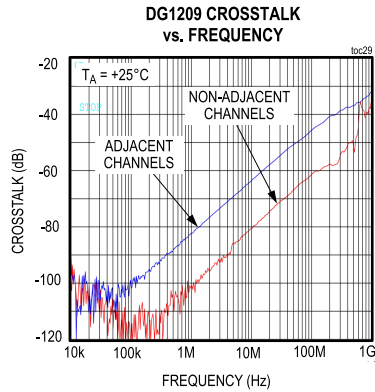
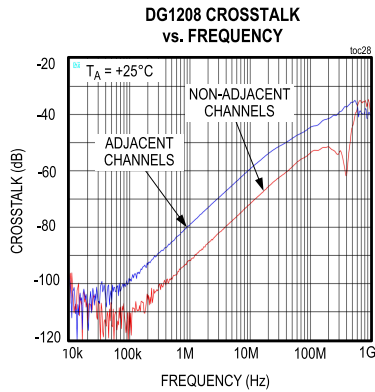


# DG1208/DG1209

# Low-Leakage, Single 8-Channel and Dual 4-Channel, Analog Multiplexers

## Typical Operating Characteristics (continued)

( $T_A = 25^\circ\text{C}$ , unless otherwise noted.)

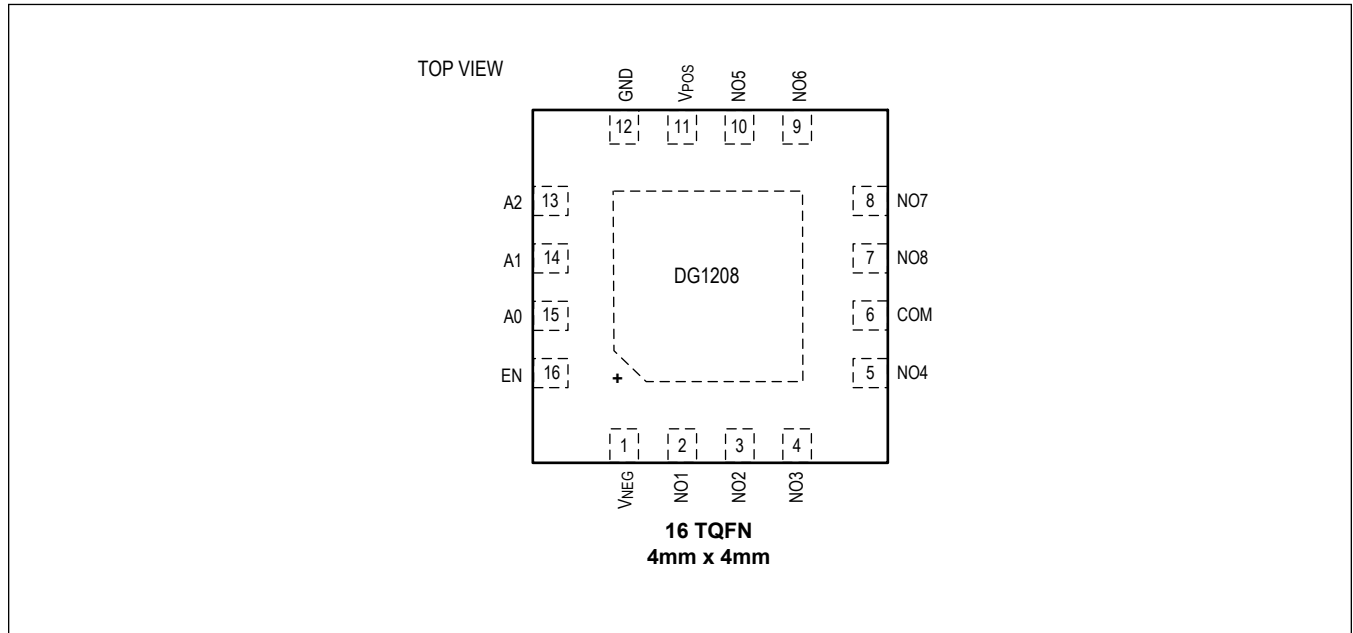


## DG1208/DG1209

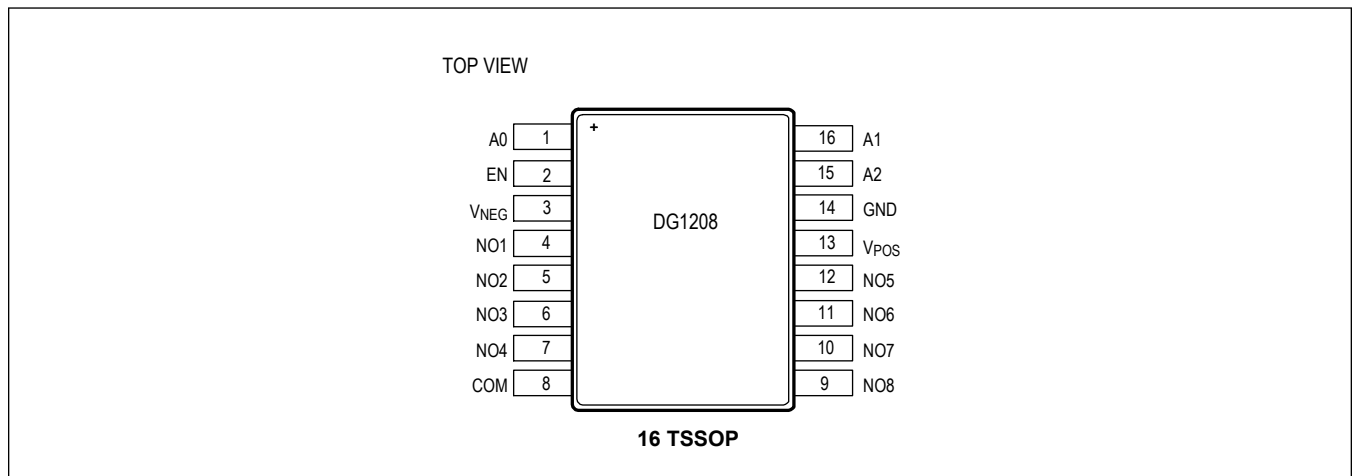
## Low-Leakage, Single 8-Channel and Dual 4-Channel, Analog Multiplexers

### Pin Configurations

#### DG1208ETE+



#### DG1208EUE+





## DG1208/DG1209

## Low-Leakage, Single 8-Channel and Dual 4-Channel, Analog Multiplexers

## Pin Description

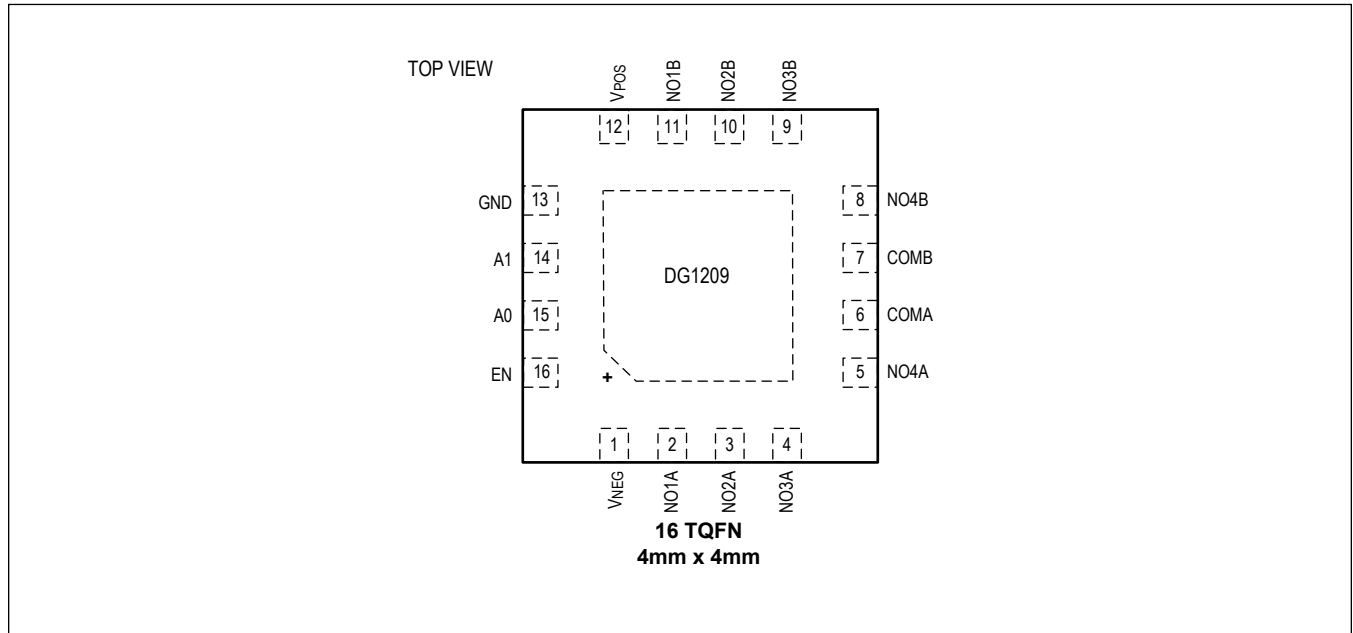
PIN		NAME	FUNCTION
DG1208ETE +	DG1208EUE +		
<b>POWER SUPPLY</b>			
11	13	V <sub>POS</sub>	Positive Power Supply. Bypass V <sub>POS</sub> to GND with a minimum 0.1µF ceramic capacitor as close to the pin as possible.
1	3	V <sub>NEG</sub>	Negative Power Supply. Bypass V <sub>NEG</sub> to GND with a minimum 0.1µF ceramic capacitor as close to the pin as possible. In single-supply applications, connect V <sub>NEG</sub> to GND.
12	14	GND	Logic Ground Reference
EP	-	EP	Exposed Pad. Leave unconnected.
<b>DIGITAL INPUTS</b>			
13	15	A2	Logic Address Input. See the <a href="#">Control Logic</a> section for more information.
14	16	A1	Logic Address Input. See the <a href="#">Control Logic</a> section for more information.
15	1	A0	Logic Address Input. See the <a href="#">Control Logic</a> section for more information.
16	2	EN	Enable Input. Drive EN high to enable the multiplexer. Drive EN low to disable all switches. Do not leave EN unconnected.
<b>ANALOG SWITCH</b>			
6	8	COM	Common Bidirectional Analog Signal Terminal. It can be either an input or output.
7	9	NO8	Normally-Open Bidirectional Analog Signal Terminal 8. It can be either an input or output.
8	10	NO7	Normally-Open Bidirectional Analog Signal Terminal 7. It can be either an input or output.
9	11	NO6	Normally-Open Bidirectional Analog Signal Terminal 6. It can be either an input or output.
10	12	NO5	Normally-Open Bidirectional Analog Signal Terminal 5. It can be either an input or output.
5	7	NO4	Normally-Open Bidirectional Analog Signal Terminal 4. It can be either an input or output.
4	6	NO3	Normally-Open Bidirectional Analog Signal Terminal 3. It can be either an input or output.
3	5	NO2	Normally-Open Bidirectional Analog Signal Terminal 2. It can be either an input or output.
2	4	NO1	Normally-Open Bidirectional Analog Signal Terminal 1. It can be either an input or output.

## DG1208/DG1209

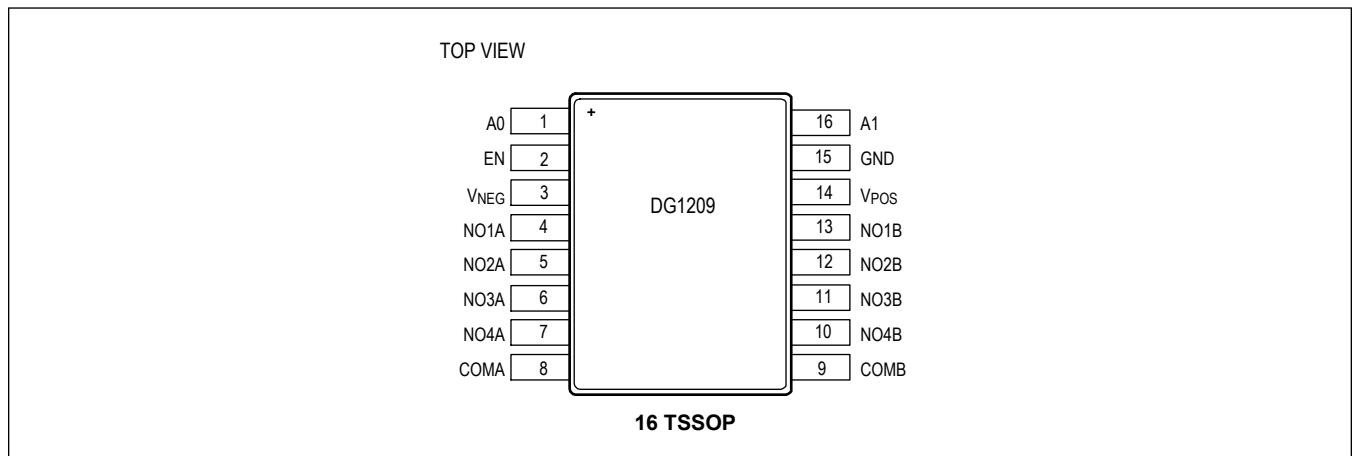
## Low-Leakage, Single 8-Channel and Dual 4-Channel, Analog Multiplexers

### Pin Configurations

#### DG1209ETE+



#### DG1209EUE+



## DG1208/DG1209

## Low-Leakage, Single 8-Channel and Dual 4-Channel, Analog Multiplexers

## Pin Description

PIN		NAME	FUNCTION
DG1209ETE +	DG1209EUE +		
<b>POWER SUPPLY</b>			
12	14	V <sub>POS</sub>	Positive Power Supply. Bypass V <sub>POS</sub> to GND with a minimum 0.1µF ceramic capacitor as close to the pin as possible.
1	3	V <sub>NEG</sub>	Negative Power Supply. Bypass V <sub>NEG</sub> to GND with a minimum 0.1µF ceramic capacitor as close to the pin as possible. In single supply applications, connect V <sub>NEG</sub> to GND.
13	15	GND	Logic Ground Reference
EP	-	EP	Exposed Pad. Leave unconnected.
<b>DIGITAL INPUTS</b>			
14	16	A1	Logic Address Input. See the <a href="#">Control Logic</a> section for more information.
15	1	A0	Logic Address Input. See the <a href="#">Control Logic</a> section for more information.
16	2	EN	Enable Input. Drive EN high to enable the multiplexer. Drive EN low to disable all switches. Do not leave EN unconnected.
<b>ANALOG SWITCH</b>			
7	9	COMB	B-Side Common Bidirectional Analog Signal Terminal. It can be either an input or output.
6	8	COMA	A-Side Common Bidirectional Analog Signal Terminal. It can be either an input or output.
8	10	NO4B	B-Side Normally-Open Bidirectional Analog Signal Terminal 4. It can be either an input or output.
9	11	NO3B	B-Side Normally-Open Bidirectional Analog Signal Terminal 3. It can be either an input or output.
10	12	NO2B	B-Side Normally-Open Bidirectional Analog Signal Terminal 2. It can be either an input or output.
11	13	NO1B	B-Side Normally-Open Bidirectional Analog Signal Terminal 1. It can be either an input or output.
5	7	NO4A	A-Side Normally-Open Bidirectional Analog Signal Terminal 4. It can be either an input or output.
4	6	NO3A	A-Side Normally-Open Bidirectional Analog Signal Terminal 3. It can be either an input or output.
3	5	NO2A	A-Side Normally-Open Bidirectional Analog Signal Terminal 2. It can be either an input or output.
2	4	NO1A	A-Side Normally-Open Bidirectional Analog Signal Terminal 1. It can be either an input or output.

## DG1208/DG1209

## Low-Leakage, Single 8-Channel and Dual 4-Channel, Analog Multiplexers

**Detailed Description**

The DG1208/DG1209 are single 8-channel or dual 4-channel multiplexing switch devices with low leakage and low charge injection. The low capacitance and low charge injection of the DG1208/DG1209 make them ideal for automatic test equipment systems, data acquisition systems, sample-and-hold systems, and communication systems where low glitch and fast settling time are required.

The DG1208 is a single 8-channel multiplexer. It switches one of the 8 NO\_ inputs to a common output COM, as determined by the three selection inputs A2, A1, and A0. The DG1209 is a dual 4-channel multiplexer. It switches a pair of differential NO\_ inputs to differential outputs COMA and COMB, as determined by the two selection inputs A1 and A0. See the [Control Logic](#) section for more information.

The DG1208/DG1209 operate rail-to-rail and are fully specified for  $\pm 15V$  bipolar supplies or +12V single supply. The EN input on the DG1208/DG1209 is used to enable or disable the device. When EN is low, all channels are switched off. When EN is high, each channel conducts bidirectionally according to the selection inputs.

**Control Logic**

The DG1208 uses three selection inputs A2, A1, and A0 to determine the switching logic.

**Table 1. DG1208 Control Logic**

A2	A1	A0	EN	SWITCH ON
X	X	X	0	Switch Off
0	0	0	1	NO1
0	0	1	1	NO2
0	1	0	1	NO3
0	1	1	1	NO4
1	0	0	1	NO5
1	0	1	1	NO6
1	1	0	1	NO7
1	1	1	1	NO8

The DG1209 uses two selection inputs A1, and A0 to determine the switching logic.

**Table 2. DG1209 Control Logic**

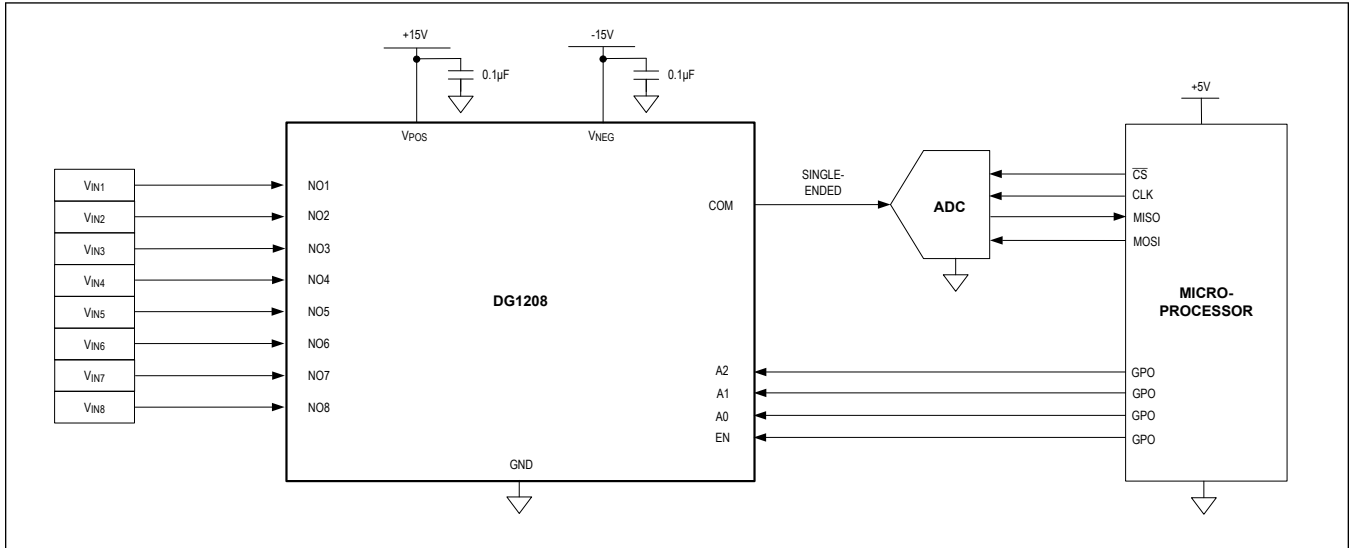
A1	A0	EN	SWITCH ON
X	X	0	Switch Off
0	0	1	NO1A, NO1B
0	1	1	NO2A, NO2B
1	0	1	NO3A, NO3B
1	1	1	NO4A, NO4B

# DG1208/DG1209

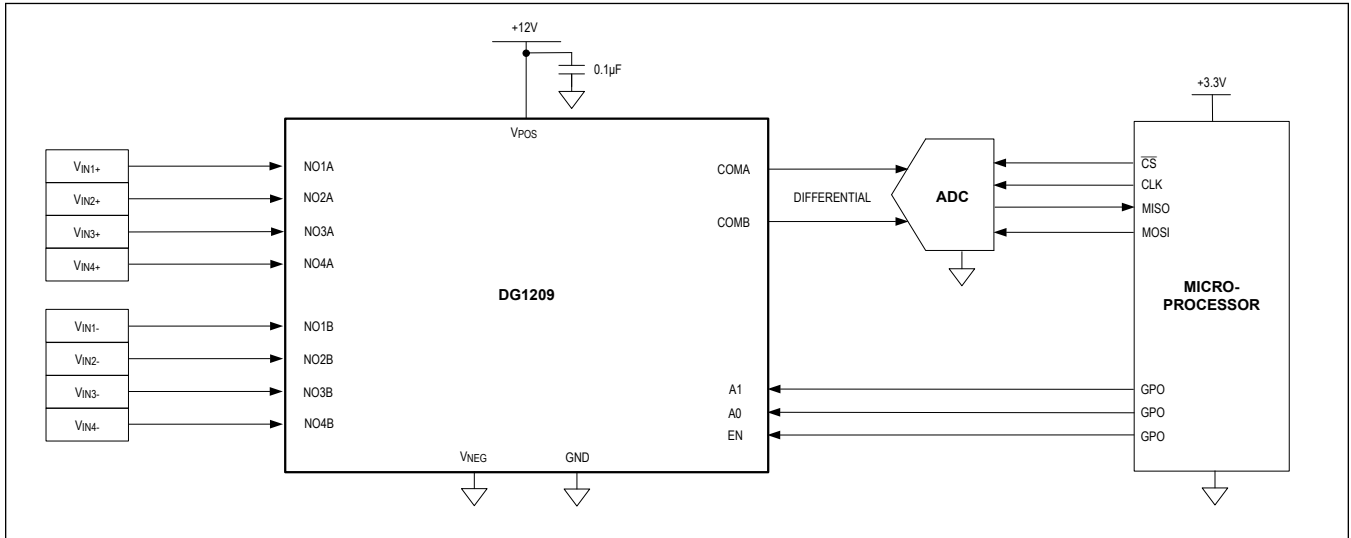
# Low-Leakage, Single 8-Channel and Dual 4-Channel, Analog Multiplexers

## Typical Application Circuits

### Data Acquisition System with DG1208 Using Bipolar Power Supplies



### Data Acquisition System with DG1209 Using a Single Power Supply





DG1208/DG1209

Low-Leakage, Single 8-Channel and Dual  
4-Channel, Analog Multiplexers**Ordering Information**

PART NUMBER	PIN-PACKAGE	TEMPERATURE
DG1208ETE+	16 TQFN	-40°C to +85°C
DG1208ETE+T	16 TQFN	-40°C to +85°C
DG1208EUE+	16 TSSOP	-40°C to +85°C
DG1208EUE+T	16 TSSOP	-40°C to +85°C
DG1209ETE+	16 TQFN	-40°C to +85°C
DG1209ETE+T	16 TQFN	-40°C to +85°C
DG1209EUE+	16 TSSOP	-40°C to +85°C
DG1209EUE+T	16 TSSOP	-40°C to +85°C

+ Denotes a lead(Pb)-free/RoHS-compliant package.

DG1208/DG1209

Low-Leakage, Single 8-Channel and Dual  
4-Channel, Analog Multiplexers

## Revision History

REVISION NUMBER	REVISION DATE	DESCRIPTION	PAGES CHANGED
0	11/20	Release for Market Intro	—
1	8/21	Removed future product asterisks from <i>Ordering Information</i> table	22

For pricing, delivery, and ordering information, please visit Maxim Integrated's online storefront at <https://www.maximintegrated.com/en/storefront/storefront.html>.

*Maxim Integrated cannot assume responsibility for use of any circuitry other than circuitry entirely embodied in a Maxim Integrated product. No circuit patent licenses are implied. Maxim Integrated reserves the right to change the circuitry and specifications without notice at any time. The parametric values (min and max limits) shown in the Electrical Characteristics table are guaranteed. Other parametric values quoted in this data sheet are provided for guidance.*

## OUR CERTIFICATE

DiGi provide top-quality products and perfect service for customer worldwide through standardization, technological innovation and continuous improvement. DiGi through third-party certification, we stricly control the quality of products and services. Welcome your RFQ to

Email: [Info@DiGi-Electronics.com](mailto:Info@DiGi-Electronics.com)



Tel: +00 852-30501935

RFQ Email: [Info@DiGi-Electronics.com](mailto:Info@DiGi-Electronics.com)

DiGi is a global authorized distributor of electronic components.