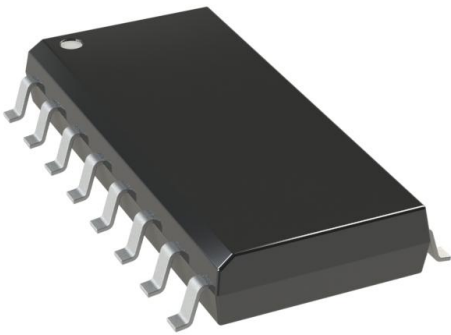


DG413FEUE+ Datasheet

www.digi-electronics.com



<https://www.DiGi-Electronics.com>

DiGi Electronics Part Number	DG413FEUE+-DG
Manufacturer	Analog Devices Inc./Maxim Integrated
Manufacturer Product Number	DG413FEUE+
Description	IC SW SPST-NO/NCX4 350HM 16TSSOP
Detailed Description	4 Circuit IC Switch 1:1 350hm 16-TSSOP



Tel: +00 852-30501935

RFQ Email: Info@DiGi-Electronics.com

DiGi is a global authorized distributor of electronic components.

Purchase and inquiry

Manufacturer Product Number:

DG413FEUE+

Series:

-

Switch Circuit:

SPST - NO/NC

Number of Circuits:

4

Channel-to-Channel Matching (ΔR_{on}):

200mOhm

Voltage - Supply, Dual (V_{\pm}):

$\pm 4.5V \sim 20V$

-3db Bandwidth:

-

Channel Capacitance ($C_{S(off)}$, $C_{D(off)}$):

15pF, 47pF

Crosstalk:

-105dB @ 1MHz

Mounting Type:

Surface Mount

Supplier Device Package:

16-TSSOP

Manufacturer:

Analog Devices Inc./Maxim Integrated

Product Status:

Active

Multiplexer/Demultiplexer Circuit:

1:1

On-State Resistance (Max):

350hm

Voltage - Supply, Single (V_{+}):

9V ~ 36V

Switch Time (T_{on} , T_{off}) (Max):

175ns, 145ns

Charge Injection:

5pC

Current - Leakage ($I_{S(off)}$) (Max):

250pA

Operating Temperature:

-40°C ~ 85°C (TA)

Package / Case:

16-TSSOP (0.173", 4.40mm Width)

Base Product Number:

DG413

Environmental & Export classification

RoHS Status:

ROHS3 Compliant

REACH Status:

REACH Unaffected

HTSUS:

8542.39.0001

Moisture Sensitivity Level (MSL):

1 (Unlimited)

ECCN:

EAR99

Click [here](#) to ask about the production status of specific part numbers.

DG411F/DG412F/ DG413F

Quad, Rail-to-Rail, Fault-Protected, SPST Analog Switches

General Description

The DG411F/DG412F/DG413F are quad, single-pole/single-throw (SPST), fault-protected analog switches. They are pin compatible with the industry-standard nonprotected DG411/DG412/DG413. These new switches feature fault-protected inputs and Rail-to-Rail® signal-handling capability. All terminals are protected from overvoltage faults up to $\pm 36\text{V}$ with power on and up to $\pm 40\text{V}$ with power off. During a fault condition, the COM, NO, or NC terminal becomes an open circuit and only microamperes of leakage current flow from the source. On-resistance is 35Ω (max) and is matched between switches to 1.5Ω (max) at $+25^\circ\text{C}$.

The DG411F has four normally closed (NC) switches. The DG412F has four normally open (NO) switches. The DG413F has two NC and two NO switches. These CMOS switches operate with dual power supplies ranging from $\pm 4.5\text{V}$ to $\pm 20\text{V}$ or a single supply between $+9\text{V}$ and $+36\text{V}$. All digital inputs have $+0.8\text{V}$ and $+2.4\text{V}$ logic thresholds, ensuring both TTL and CMOS logic compatibility when using $\pm 15\text{V}$ or a single $+12\text{V}$ supply.

For supply voltages of $\pm 5\text{V}$, $+5\text{V}$, and $+3\text{V}$, refer to the MAX4711/MAX4712/MAX4713 data sheet.

Applications

- Communication Systems
- Signal Routing
- Test Equipment
- Data Acquisition
- Industrial and Process Control Systems
- Avionics
- Redundant/Backup Systems

Benefits and Features

- No Power-Supply Sequencing Required
- Rail-to-Rail Signal Handling
- All Switches Off with Power Off
- All Switches Off when $V+$ is Off and $V-$ is On
- $\pm 40\text{V}$ Fault Protection with Power Off
- $\pm 36\text{V}$ Fault Protection with $\pm 15\text{V}$ Supplies
- Control Line Fault Protection from $V- - 0.3\text{V}$ to $V- + 40\text{V}$
- Pin Compatible with Industry-Standard DG411/DG412/DG413
- 20ns (typ) Fault Response Time
- 35Ω (max) R_{ON} with $\pm 15\text{V}$ Supplies
- $\pm 4.5\text{V}$ to $\pm 20\text{V}$ Dual Supplies
- $+9\text{V}$ to $+36\text{V}$ Single Supply
- TTL- and CMOS-Compatible Logic Inputs with $\pm 15\text{V}$ or Single $+9\text{V}$ to $+15\text{V}$ Supplies

Ordering Information appears at end of data sheet.

Rail-to-Rail is a registered trademark of Nippon Motorola, Ltd.

DG411F/DG412F/
DG413F

Quad, Rail-to-Rail, Fault-Protected,
SPST Analog Switches

Absolute Maximum Ratings

(Voltages Referenced to GND)

V+	-0.3V to +44V
V-	-44V to +0.3V
V+ to V-	-0.3V to +44V
IN_	(V- - 0.3V) to (V- + 40V)
NO_, NC_ to COM_ (Note1)	-40V to +40V
COM_, NO_, NC_ Voltage with Power On (Note 1)	-36V to +36V
COM_, NO_, NC_ Voltage with Power Off (Note 1)	-40V to +40V
Continuous Current (any terminal)	±30mA

Peak Current COM_, NO_, NC_ (pulsed at 1ms, 10% duty cycle)	±100mA
Continuous Power Dissipation (T _A = +70°C)	
16-Pin TSSOP (derate 9.4mW/°C above +70°C)	755mW
16-Pin SO (derate 8.7mW/°C above +70°C)	696mW
16-Pin Plastic DIP (derate 10.53mW/°C above +70°C)	842mW
Operating Temperature Range	-40°C to +85°C
Junction Temperature	+150°C
Storage Temperature Range	-65°C to +160°C
Lead Temperature (soldering, 10s)	+300°C

Note 1: COM_, NO_, and NC_ pins are fault protected. Signals on COM_, NO_, and NC_ exceeding -36V to +36V may damage the device during power-on conditions. When the power is off, the maximum range is -40V to +40V.

Stresses beyond those listed under "Absolute Maximum Ratings" may cause permanent damage to the device. These are stress ratings only, and functional operation of the device at these or any other conditions beyond those indicated in the operational sections of the specifications is not implied. Exposure to absolute maximum rating conditions for extended periods may affect device reliability.

Package Information

PACKAGE TYPE: SOIC	
Outline Number	21-0041
PACKAGE TYPE: PDIP	
Outline Number	21-0043
PACKAGE TYPE: TSSOP	
Outline Number	21-0066

For the latest package outline information and land patterns (footprints), go to www.maximintegrated.com/packages. Note that a "+", "#", or "-" in the package code indicates RoHS status only. Package drawings may show a different suffix character, but the drawing pertains to the package regardless of RoHS status.

DG411F/DG412F/ DG413F

Quad, Rail-to-Rail, Fault-Protected, SPST Analog Switches

Electrical Characteristics— ±15V Dual Supplies

(V+ = +15V, V- = -15V, V_{IH} = +2.4V, V_{IL} = +0.8V, GND = 0, T_A = T_{MIN} to T_{MAX}, unless otherwise noted. Typical values are at T_A = +25°C.) (Notes 2, 3)

PARAMETER	SYMBOL	CONDITIONS	T _A	MIN	TYP	MAX	UNITS
ANALOG SWITCH							
Fault-Free Analog Signal Range	V _{COM_} , V _{NO_} , V _{NC_}		E	V-		V+	V
On-Resistance	R _{ON}	I _{COM_} = 10mA, V _{NO_} , V _{NC_} = ±10V	+25°C		25	35	Ω
			E			45	
On-Resistance Match Between Channels (Note 4)	ΔR _{ON}	I _{COM_} = 10mA, V _{NO_} , V _{NC_} = ±10V	+25°C		0.2	1.5	Ω
			E			2.0	
On-Resistance Flatness	R _{FLAT(ON)}	I _{COM_} = 10mA, V _{NO_} , V _{NC_} = ±5V, 0	+25°C		1.0	3	Ω
			E			4	
NO_, NC_ Off-Leakage Current (Note 5)	I _{NO_(OFF)} , I _{NC_(OFF)}	V _{COM_} = ±10V, V _{NO_} , V _{NC_} = > 10V	+25°C	-0.25	+0.025	+0.25	nA
			E	-30		+30	
COM_ Off-Leakage Current (Note 5)	I _{COM_(OFF)}	V _{COM_} = ±10V, V _{NO_} , V _{NC_} = > 10V	+25°C	-0.25	+0.025	+0.25	nA
			E	-30		+30	
COM_ On-Leakage Current (Note 5)	I _{COM_(ON)}	V _{COM_} = ±10V, V _{NO_} , V _{NC_} = ±10V or floating	+25°C	-0.5	+0.025	+0.5	nA
			E	-40		+40	
FAULT							
Fault-Protected Analog Signal Range	V _{COM_} , V _{NO_} , V _{NC_}	V+ = +15V, V- = -15V	E	-36		+36	V
		V+ = 0, V- = -15V	E	-36		+36	
		V+ = V- = 0	E	-40		+40	
NO_ or NC_ Off-Leakage Current	I _{NO_} , I _{NC_}	V _{NO_} , V _{NC_} = ±36V	+25°C	-1		+1	μA
			E	-10		+10	
COM_ Off-Leakage Current	I _{COM_}	V _{COM_} = ±36V	+25°C	-1		+1	μA
			E	-10		+10	
NO_ or NC_ Leakage Current	I _{NO_} , I _{NC_}	V _{NO_} , V _{NC_} = ±40V, V+ = V- = 0	+25°C	-1		+1	μA
			E	-10		+10	
COM_ Leakage Current	I _{COM_}	V _{COM_} = ±40V, V+ = V- = 0	+25°C	-1		+1	μA
			E	-10		+10	
NO_ or NC_ Off-Leakage Current	I _{NO_} , I _{NC_}	V+ = 0, V- = -15V, V _{NO_} , V _{NC_} = ±36V	+25°C	-1		+1	μA
			E	-10		+10	
COM_ Off-Leakage Current	I _{COM_}	V+ = 0, V- = -15V, V _{COM_} = ±36V	+25°C	-1		+1	μA
			E	-10		+10	
Fault-Trip Threshold			E	V- - 0.4		V+ + 0.4	V
± Fault Output Turn-Off Delay		V _{NO_} , V _{NC_} = ±36V, R _L = 1kΩ	E		20		ns
± Fault Recovery Time		V _{NO_} , V _{NC_} = ±36V, R _L = 1kΩ	E		1		μs
SWITCH DYNAMICS							
Turn-On Time	t _{ON}	V _{NO_} or V _{NC_} = ±10V, R _L = 300Ω, C _L = 35pF, Figure 2	+25°C		70	175	ns
			E			220	
Turn-Off Time	t _{OFF}	V _{NO_} or V _{NC_} = ±10V, R _L = 300Ω, C _L = 35pF, Figure 2	+25°C		55	145	ns
			E			160	

DG411F/DG412F/
DG413F

Quad, Rail-to-Rail, Fault-Protected,
SPST Analog Switches

Electrical Characteristics— ±15V Dual Supplies (continued)

(V+ = +15V, V- = -15V, V_{IH} = +2.4V, V_{IL} = +0.8V, GND = 0, T_A = T_{MIN} to T_{MAX}, unless otherwise noted. Typical values are at T_A = +25°C.) (Notes 2, 3)

PARAMETER	SYMBOL	CONDITIONS	T _A	MIN	TYP	MAX	UNITS
Break-Before-Make Time Delay (DG413F only) (Note 6)	t _{BBM}	V _{NO_} or V _{NC_} = ±10V, R _L = 100Ω, C _L = 10pF, Figure 3	+25°C	2	15		ns
			E	1			
Charge Injection	Q	V _{GEN} = 0, R _{GEN} = 0, C _L = 1nF, Figure 4	+25°C		5		pC
NO_ or NC_ Off-Capacitance	C _{N_(OFF)}	f = 1MHz, Figure 5	+25°C		15		pF
COM_ Off-Capacitance	C _{COM_(OFF)}	f = 1MHz, Figure 5	+25°C		15		pF
COM_ On-Capacitance	C _{COM_(ON)}	f = 1MHz, Figure 5	+25°C		47		pF
Off-Isolation (Note 7)	V _{ISO}	f = 1MHz, R _L = 50Ω, C _L = 15pF, P _{IN} = 0dBm, Figure 6	+25°C		-65		dB
Channel-to-Channel Crosstalk (Note 8)	V _{CT}	f = 1MHz, R _L = 50Ω, C _L = 15pF, P _{IN} = 0dBm, Figure 6	+25°C		-105		dB
LOGIC INPUT							
Input Logic High	V _{IH}		E	2.4			V
Input Logic Low	V _{IL}		E			0.8	V
Input Leakage Current	I _{IN}	V _{IN} = 0 or V+	E	-1		+1	μA
POWER SUPPLY							
Power-Supply Range	V+, V-		E	±4.5		±20	V
V+ Supply Current	I+	All V _{IN_} = +5V, V _{COM_} = 0	+25°C		355	600	μA
			E			800	
		All V _{IN_} = 0 or V+, V _{COM_} = 0	+25°C		155	300	
			E			400	
V- Supply Current	I-	All V _{IN_} = +5V, V _{COM_} = 0	+25°C		155	250	μA
			E			325	
		All V _{IN_} = 0 or V+, V _{COM_} = 0	+25°C		155	250	
			E			325	
GND Supply Current	I _{GND}	All V _{IN_} = +5V, V _{COM_} = 0	+25°C		200	350	μA
			E			475	
		All V _{IN_} = 0 or V+, V _{COM_} = 0	+25°C		0.1	1	
			E			10	

DG411F/DG412F/ DG413F

Quad, Rail-to-Rail, Fault-Protected, SPST Analog Switches

Electrical Characteristics— Single +12V Supply

($V_+ = +12V$, $V_- = 0$, $V_{IH} = +2.4V$, $V_{IL} = +0.8V$, $GND = 0$, $T_A = T_{MIN}$ to T_{MAX} , unless otherwise noted. Typical values are at $T_A = +25^\circ C$.) (Notes 2, 3)

PARAMETER	SYMBOL	CONDITIONS	T_A	MIN	TYP	MAX	UNITS
ANALOG SWITCH							
Fault-Free Analog Signal Range	$V_{COM_}$, $V_{NO_}$, $V_{NC_}$		E	V_-		V_+	V
On-Resistance	R_{ON}	$I_{COM_} = 1mA$, $V_{NO_}$, $V_{NC_} = +10V$	$+25^\circ C$	25	35		Ω
			E	45			
On-Resistance Match Between Channels (Note 4)	ΔR_{ON}	$I_{COM_} = 1mA$, $V_{NO_}$, $V_{NC_} = +10V$	$+25^\circ C$	0.2	1.5		Ω
			E	2.0			
NO_, NC_ Off-Leakage Current (Note 5)	$I_{NO_ (OFF)}$, $I_{NC_ (OFF)}$	$V_{COM_} = +1V, +10V$, $V_{NO_}$, $V_{NC_} = +10V, +1V$	$+25^\circ C$	-0.25	+0.025	+0.25	nA
			E	-30		+30	
COM_ Off-Leakage Current (Note 5)	$I_{COM_ (OFF)}$	$V_{COM_} = +1V, +10V$, $V_{NO_}$, $V_{NC_} = +10V, +1V$	$+25^\circ C$	-0.25	+0.025	+0.25	nA
			E	-30		+30	
COM_ On-Leakage Current (Note 5)	$I_{COM_ (ON)}$	$V_{COM_} = +1V, +10V$, $V_{NO_}$, $V_{NC_} = +1V, +10V$, or floating	$+25^\circ C$	-0.5	+0.025	+0.5	nA
			E	-40		+40	
FAULT							
Fault-Protected Analog Signal Range	$V_{COM_}$, $V_{NO_}$, $V_{NC_}$	Power on	E	-36		+36	V
		Power off	E	-40		+40	
NO_ or NC_ Off-Leakage Current (Note 5)	$I_{NO_}$, $I_{NC_}$	$V_{NO_}$, $V_{NC_} = \pm 36V$	$+25^\circ C$	-1		+1	μA
			E	-10		+10	
COM_ Off-Leakage Current (Note 5)	$I_{COM_}$	$V_{NO_}$, $V_{NC_} = \pm 36V$	$+25^\circ C$	-1		+1	μA
			E	-10		+10	
NO_ or NC_ Leakage Current (Note 5)	$I_{NO_}$, $I_{NC_}$	Supplies off, $V_{NO_}$, $V_{NC_} = \pm 40V$	$+25^\circ C$	-1		+1	μA
			E	-10		+10	
COM_ Leakage Current (Note 5)	$I_{COM_}$	Supplies off, $V_{NO_}$, $V_{NC_} = \pm 40V$	$+25^\circ C$	-1		+1	μA
			E	-10		+10	
+Fault Output Turn-Off Delay		$V_{NO_}$, $V_{NC_} = \pm 36V$, $R_L = 1k\Omega$	E		20		ns
+Fault Recovery Time		$V_{NO_}$, $V_{NC_} = \pm 36V$, $R_L = 1k\Omega$	E		1		μs
SWITCH DYNAMICS							
Turn-On Time	t_{ON}	$V_{NO_}$ or $V_{NC_} = +10V$, $R_L = 300\Omega$, $C_L = 35pF$, Figure 2	$+25^\circ C$	120	250		ns
			E		315		
Turn-Off Time	t_{OFF}	$V_{NO_}$ or $V_{NC_} = \pm 10V$, $R_L = 300\Omega$, $C_L = 35pF$, Figure 2	$+25^\circ C$	70	125		ns
			E		140		
Break-Before-Make Time Delay (DG413F only) (Note 6)	t_{BBM}	$V_{NO_}$ or $V_{NC_} = \pm 10V$, $R_L = 100\Omega$, $C_L = 10pF$, Figure 3	$+25^\circ C$	2	50		ns
			E	1			

DG411F/DG412F/
DG413F

Quad, Rail-to-Rail, Fault-Protected,
SPST Analog Switches

Electrical Characteristics (continued)

($V_+ = +12V$, $V_- = 0$, $V_{IH} = +2.4V$, $V_{IL} = +0.8V$, $GND = 0$, $T_A = T_{MIN}$ to T_{MAX} , unless otherwise noted. Typical values are at $T_A = +25^\circ C$.) (Notes 2, 3)

PARAMETER	SYMBOL	CONDITIONS	T_A	MIN	TYP	MAX	UNITS
Charge Injection	Q	$V_{GEN} = 0$, $R_{GEN} = 0$, $C_L = 1nF$, Figure 4	+25°C		5		pC
LOGIC INPUT							
Input Logic High	V_{IH}		E	2.4			V
Input Logic Low	V_{IL}		E			0.8	V
Input Leakage Current (Note 5)	I_{IN}	$V_{IN} = 0$ or V_+	E	-1		+1	μA
POWER SUPPLY							
Power-Supply Range	V_+ , V_-		E	+9		+36	V
V+ Supply Current	I+	All $V_{IN_} = +5V$, $V_{COM_} = +6V$	+25°C		180	350	μA
			E			450	
		All $V_{IN_} = 0$ or V_+ , $V_{COM_} = +6V$	+25°C		85	150	
			E			250	

Note 2: The algebraic convention is used in this data sheet; the most negative value is shown in the minimum column.

Note 3: Electrical specifications at $-40^\circ C$ are not production tested and guaranteed by design.

Note 4: $\Delta R_{ON} = \Delta R_{ON(MAX)} - \Delta R_{ON(MIN)}$.

Note 5: Leakage parameters are 100% tested at maximum rated temperature and with dual supplies and guaranteed by design at $+25^\circ C$.

Note 6: Guaranteed by design.

Note 7: Off-Isolation = $20 \log_{10} [V_{COM}/(V_{NC}$ or $V_{NO})]$, V_{COM} = output, V_{NC} or V_{NO} = input to off switch.

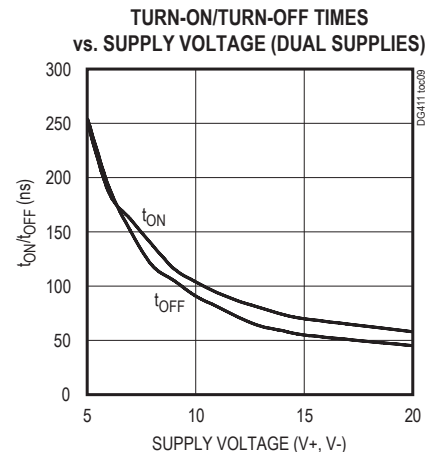
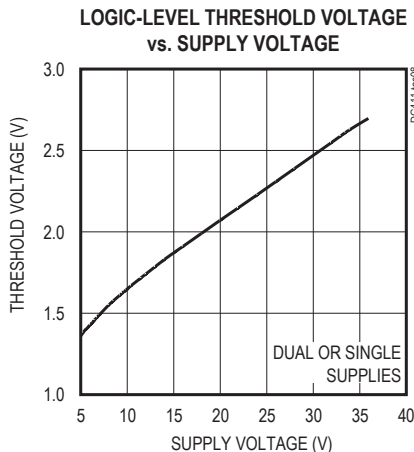
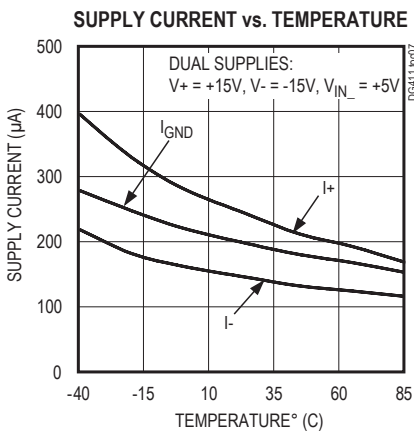
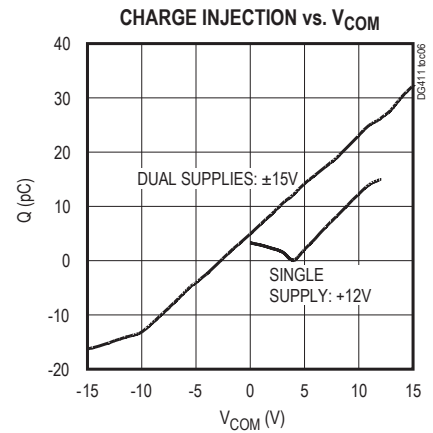
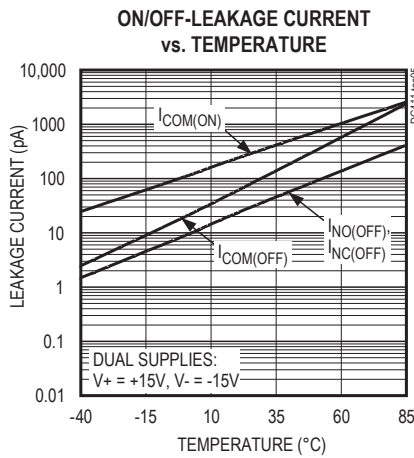
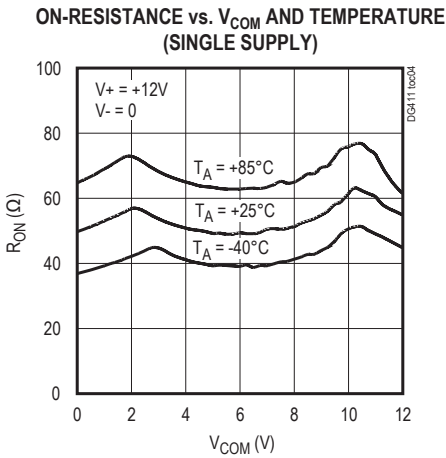
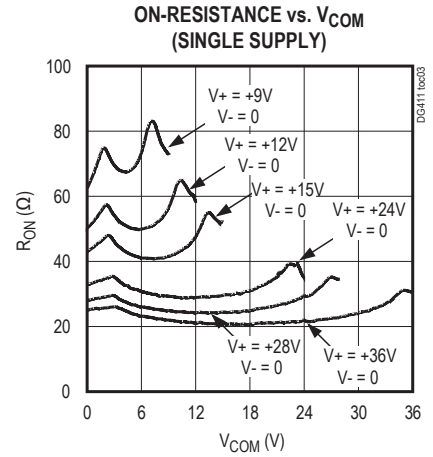
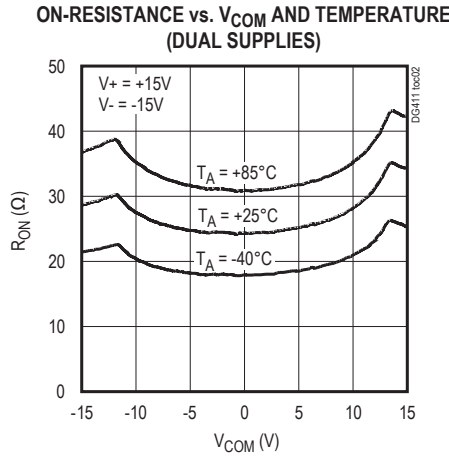
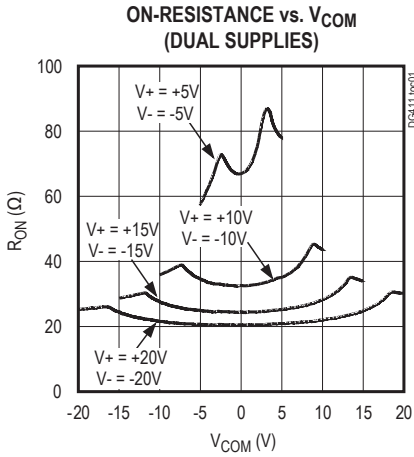
Note 8: Between any two switches.

DG411F/DG412F/
DG413F

Quad, Rail-to-Rail, Fault-Protected,
SPST Analog Switches

Typical Operating Characteristics

($T_A = +25^\circ\text{C}$, unless otherwise noted.)

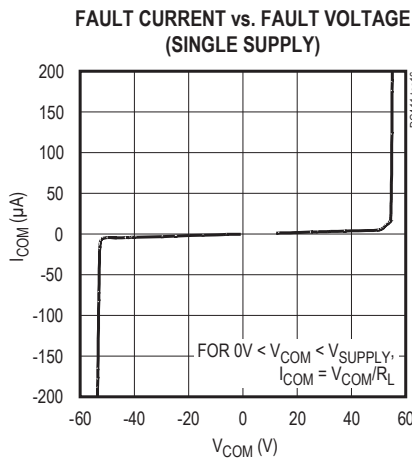
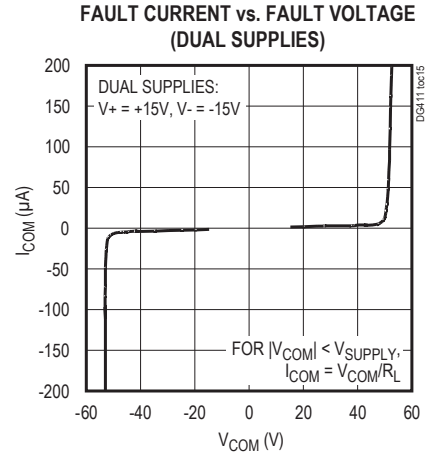
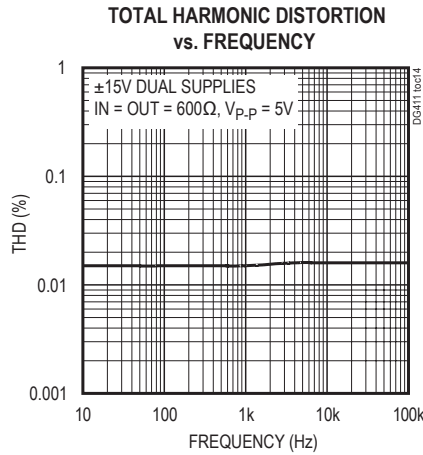
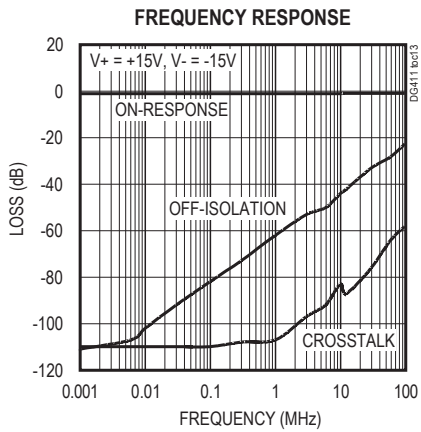
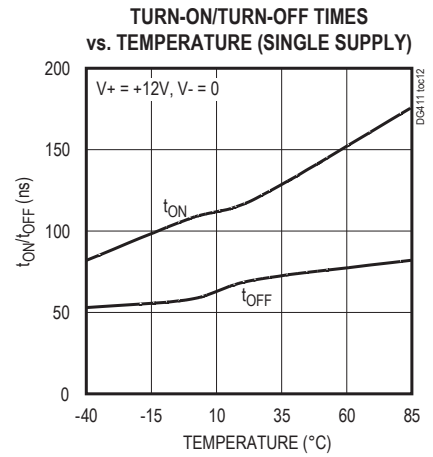
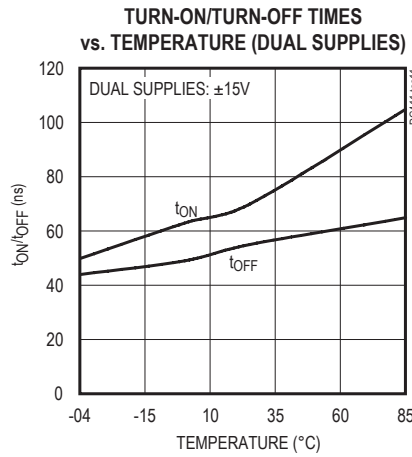
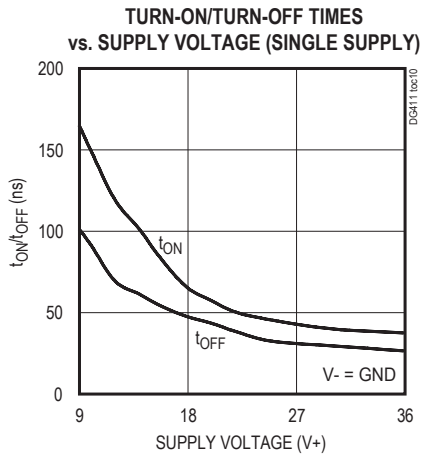


DG411F/DG412F/
DG413F

Quad, Rail-to-Rail, Fault-Protected,
SPST Analog Switches

Typical Operating Characteristics (continued)

($T_A = +25^\circ\text{C}$, unless otherwise noted.)

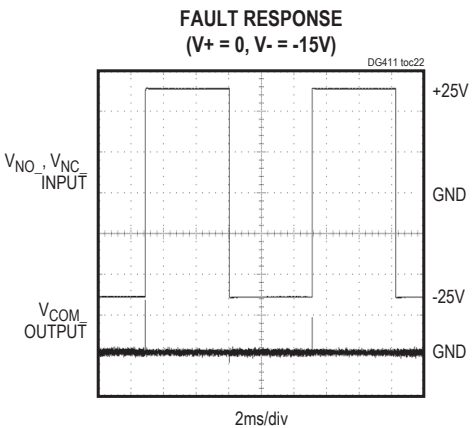
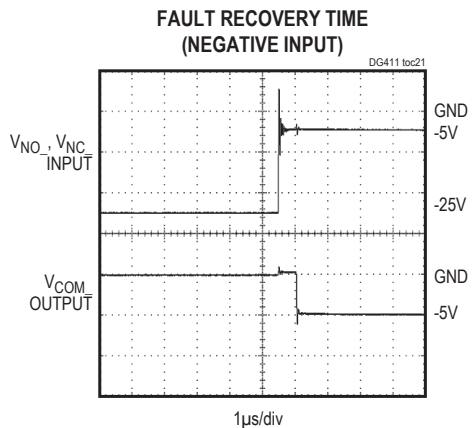
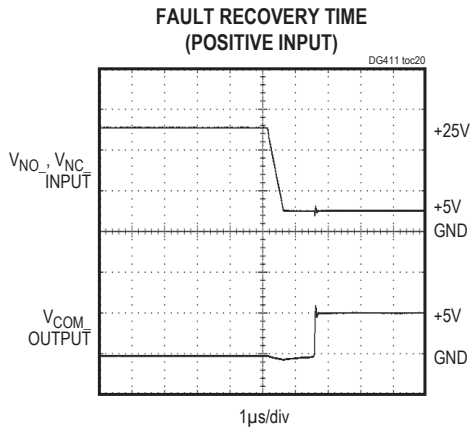
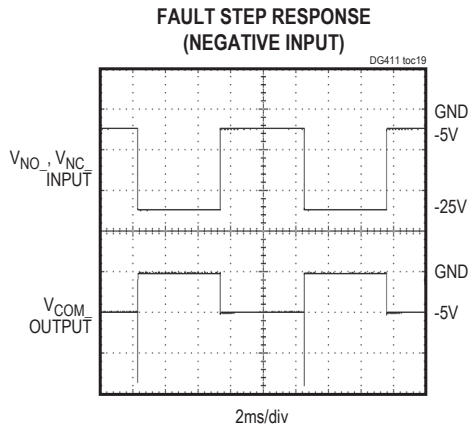
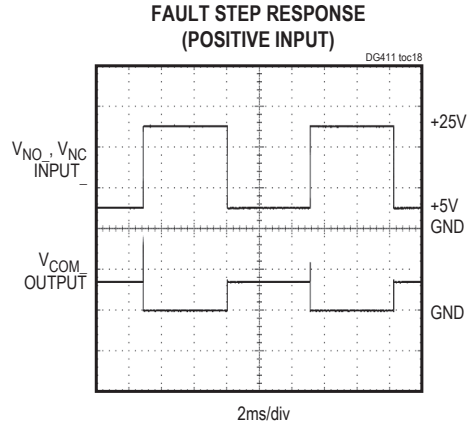
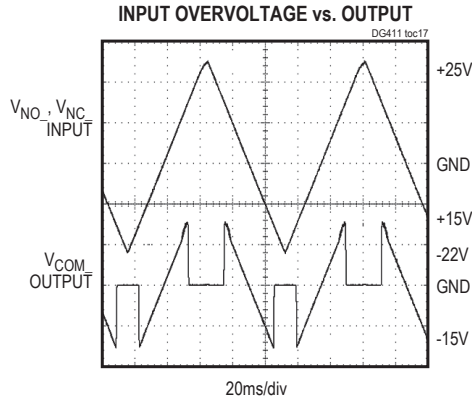


DG411F/DG412F/
DG413F

Quad, Rail-to-Rail, Fault-Protected,
SPST Analog Switches

Typical Operating Characteristics (continued)

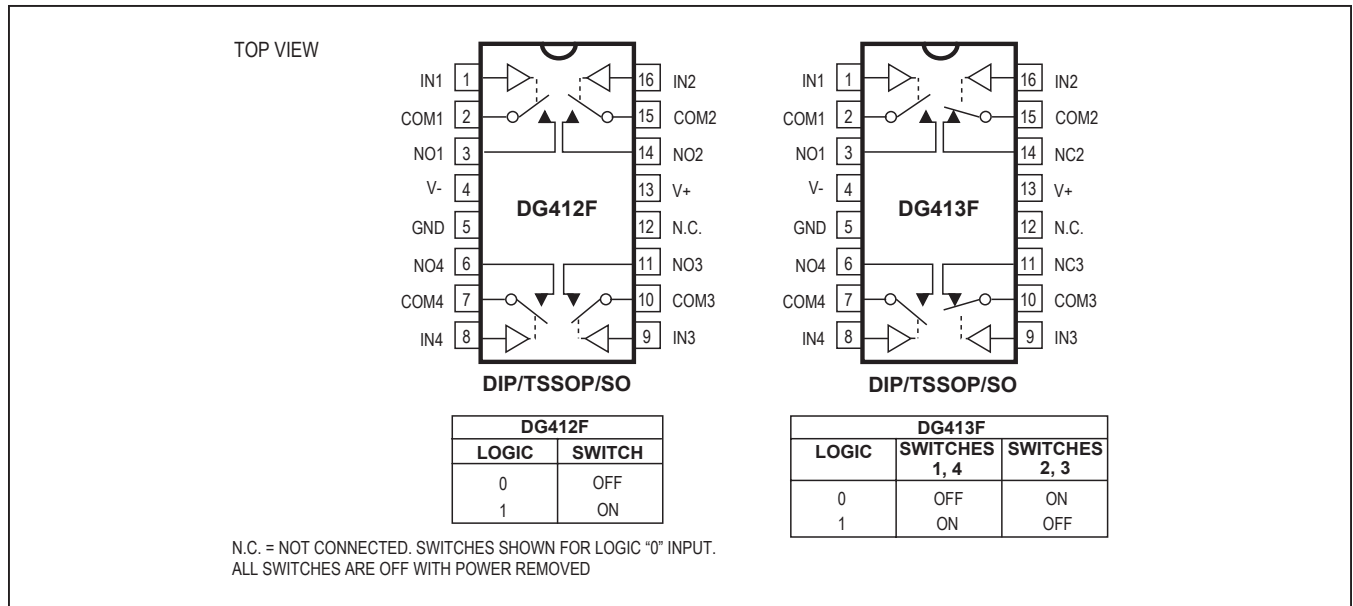
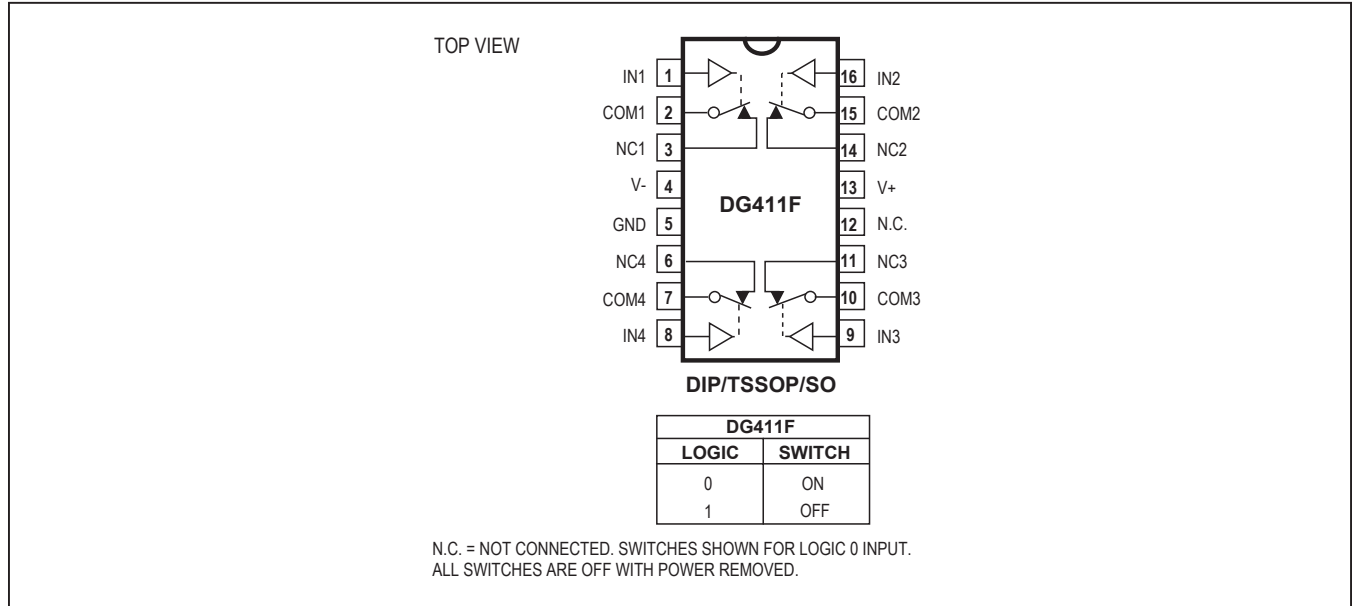
($T_A = +25^\circ\text{C}$, unless otherwise noted.)



DG411F/DG412F/
DG413F

Quad, Rail-to-Rail, Fault-Protected,
SPST Analog Switches

Pin Configurations



DG411F/DG412F/ DG413F

Quad, Rail-to-Rail, Fault-Protected, SPST Analog Switches

Pin Description

PIN			NAME	FUNCTION
DG411F	DG412F	DG413F		
1, 16, 9, 8	1, 16, 9, 8	1, 16, 9, 8	IN1, IN2, IN3, IN4	Logic Control Digital Inputs
2, 15, 10, 7	2, 15, 10, 7	2, 15, 10, 7	COM1, COM2, COM3, COM4	Analog Switch Common Terminals
3, 14, 11, 6	—	—	NC1, NC2, NC3, NC4	Analog Switch Normally Closed Terminals
—	3, 14, 11, 6	—	NO1, NO2, NO3, NO4	Analog Switch Normally Open Terminals
—	—	3, 6	NO1, NO4	Analog Switch Normally Open Terminals
—	—	14, 11	NC2, NC3	Analog Switch Normally Closed Terminals
4	4	4	V-	Negative-Supply Voltage Input. Connect to GND for single-supply operation. Bypass with a 0.1 μ F capacitor to GND.
5	5	5	GND	Ground. Connect to digital ground.
12	12	12	N.C.	No Connection. Not internally connected.
13	13	13	V+	Positive-Supply Voltage Input. Bypass with a 0.1 μ F capacitor to GND.

Detailed Description

The DG411F/DG412F/DG413F are fault-protected CMOS analog switches with unique operation and construction. These switches differ considerably from traditional fault-protection switches, with several advantages. First, they are constructed with two parallel FETs, allowing very low on-resistance when the switch is on. Second, they allow signals on the NO_ or NC_ pins that are within, or slightly beyond, the supply rails to be passed through the switch to the COM_ terminal (or vice versa), allowing true rail-to-rail signal operation. Third, the DG411F/DG412F/DG413F have the same fault-protection performance on any of the NO_, NC_, or COM_ switch inputs. Operation is identical for both fault polarities. The fault protection extends to ± 36 V from GND with ± 15 V supplies.

During a fault condition, the particular overvoltage input (COM_, NO_, NC_) pin becomes high impedance regardless of the switch state or load resistance. When power is removed, the fault protection is still in effect. In this case, the COM_, NO_, or NC_ terminals are a virtual open circuit. The fault can be up to ± 40 V with power off. The switches turn off when V+ is not powered, regardless of V-.

Pin Compatibility

These switches have identical pinouts to common non-fault-protected CMOS switches. They allow for carefree direct replacement in existing printed circuit boards since the NO_, NC_, and COM_ pins of each switch are fault protected.

Internal Construction

Internal construction is shown in Figure 1, with the analog signal paths shown in bold. A single NO switch is shown. The NC configuration is identical except the logic-level translator becomes an inverter. The analog switch is formed by the parallel combination of N-channel FET (N1) and P-channel FET (P1), which are driven on and off simultaneously according to the input fault condition and the logic-level state.

Normal Operation

Two comparators continuously compare the voltage on the COM_, NO_, and NC_ pins with V+ and V-. When the signal on COM_, NO_, or NC_ is between V+ and V-, the switch acts normally, with FETs N1 and P1 turning on and off in response to IN_ signals. The parallel combination of N1 and P1 forms a low-value resistor between NO_ (or NC_) and COM_ so that signals pass equally well in either direction.

Positive Fault Condition

When the signal on NO_ (or NC_) and COM_ exceeds V+ by about 50mV, the high-fault comparator output is high, turning off FETs N1 and P1. This makes the NO_ (or NC_) and COM_ pins high impedance regardless of the switch state. If the switch state is off, all FETs are turned off and both NO_ (or NC_) and COM_ are high impedance.

DG411F/DG412F/ DG413F

Quad, Rail-to-Rail, Fault-Protected, SPST Analog Switches

Negative Fault Condition

When the signal on NO_ (or NC_) and COM_ exceeds V- by about 50mV, the low-fault comparator output is high, turning off FETs N1 and P1. This makes the NO_ (or NC_) and COM_ pins high impedance regardless of the switch state. If the switch state is off, all FETs are turned off and both NO_ (or NC_) and COM_ are high impedance.

Transient Fault Response and Recovery

When a fast rise-time and fall-time transient on NO_, NC_, or COM_ exceeds V+ or V-, the output follows the input to the supply rail with only a few nanoseconds delay. This delay is due to the switch on-resistance and circuit capacitance to ground. When the input transient returns to within the supply rails, however, there is a longer output recovery time delay. For positive faults, the recovery time is typically 1 μ s. For negative faults, the recovery time is typically 0.5 μ s. These values depend on the output resistance and capacitance, and are not production tested or guaranteed. The delays are not dependent on the fault amplitude. Higher load resistance and capacitance increase recovery times.

Fault-Protection Voltage and Power Off

The maximum fault voltage on the NO_ (or NC_) and COM_ pins is ± 36 V with power applied and ± 40 V with power off.

Failure Modes

Exceeding the fault-protection voltage limits on NO_, NC_, or COM_, even for very short periods, can cause the device to fail. See the Absolute Maximum Ratings. The failure modes may not be obvious, and failure in one switch may or may not affect other switches in the same package.

Ground

There is no galvanic connection between the analog signal paths and GND. The analog signal paths consist of an N-channel and P-channel MOSFET with their sources and drains paralleled and their gates driven out of phase to V+ and V- by the logic-level translators. However, the potential of the analog signals must be defined or at least limited with respect to GND. V+ and GND power the internal logic and logic-level translators and set the input logic thresholds. The logiclevel translators convert the logic levels to switched V+ and V- signals to drive the gates of the analog switches. This drive signal is the only connection between the power supplies and the analog signals.

IN_ Logic-Level Thresholds

The logic-level thresholds are CMOS and TTL compatible when V+ is +15V. As V+ is raised, the threshold increases slightly, and when V+ reaches 25V, the level threshold is about 2.3V, above the TTL output high-level minimum of 2.4V, but still compatible with CMOS outputs (see the *Typical Operating Characteristics*). V- has no effect on the logic-level thresholds.

Bipolar Supplies

The DG411F/DG412F/DG413F operate with bipolar supplies between ± 4.5 V and ± 20 V. The V+ and V- supplies need not be symmetrical, but their difference cannot exceed the absolute maximum rating of 44V.

Single Supply

The DG411F/DG412F/DG413F operate from a single supply between +9V and +36V when V- is connected to GND.

DG411F/DG412F/
DG413F

Quad, Rail-to-Rail, Fault-Protected,
SPST Analog Switches

Test Circuits/Timing Diagrams

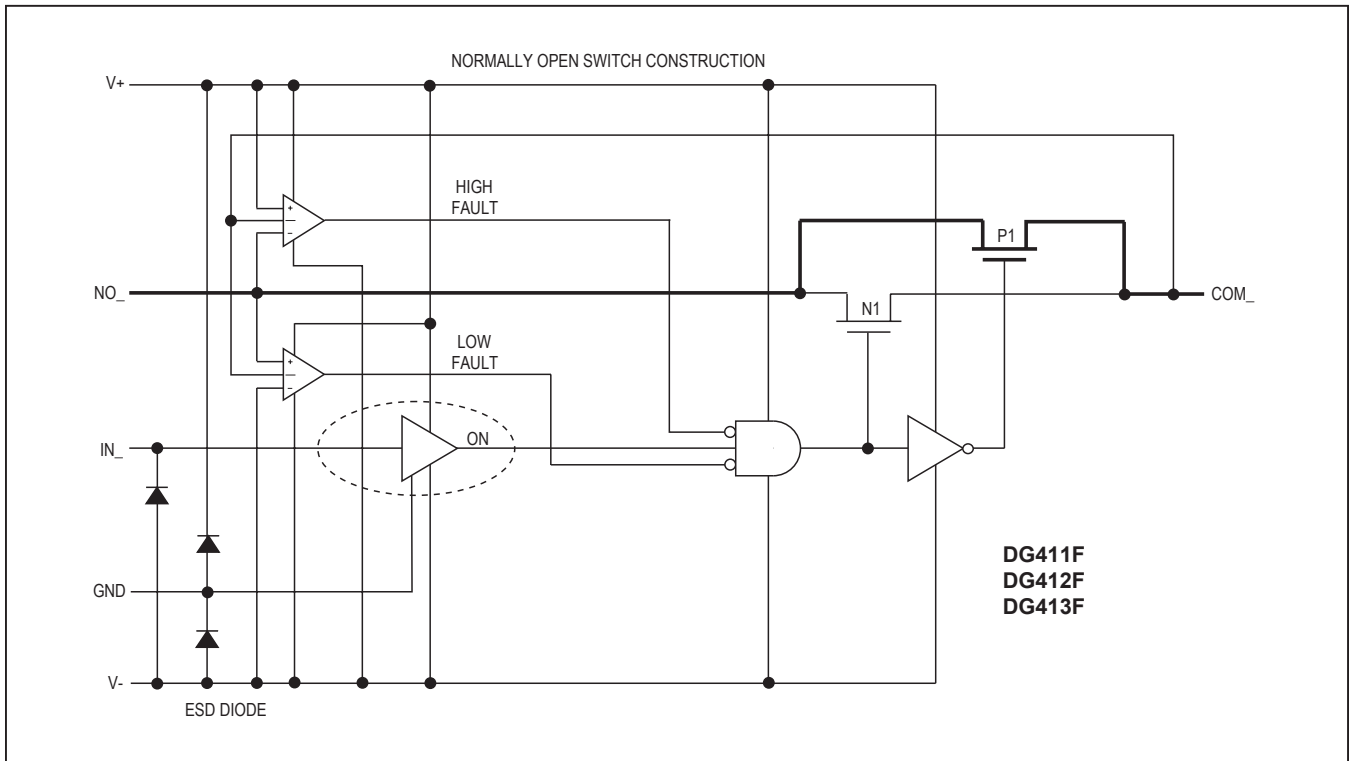


Figure 1. Functional Diagram

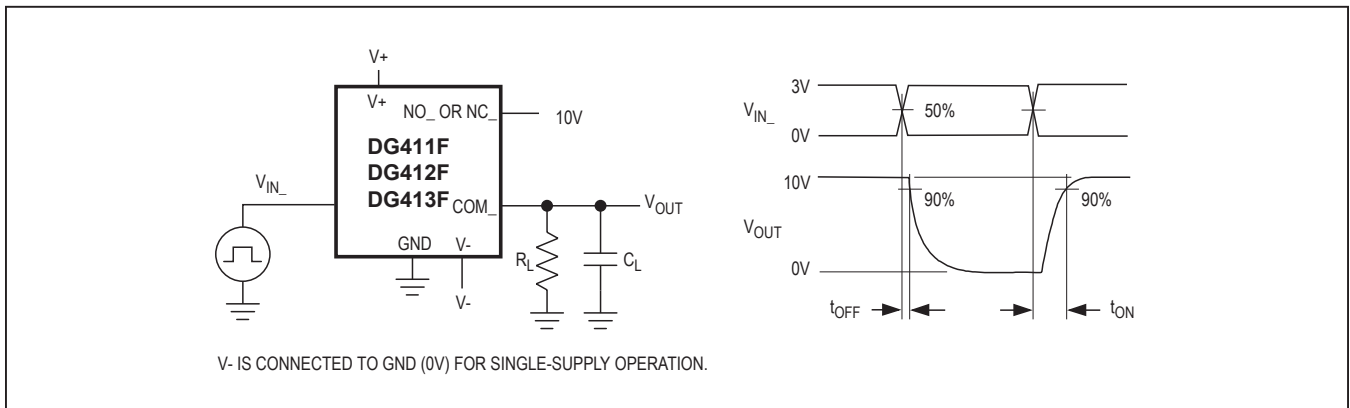


Figure 2. Switch Turn-On/Turn-Off Times

DG411F/DG412F/
DG413F

Quad, Rail-to-Rail, Fault-Protected,
SPST Analog Switches

Test Circuits/Timing Diagrams (continued)

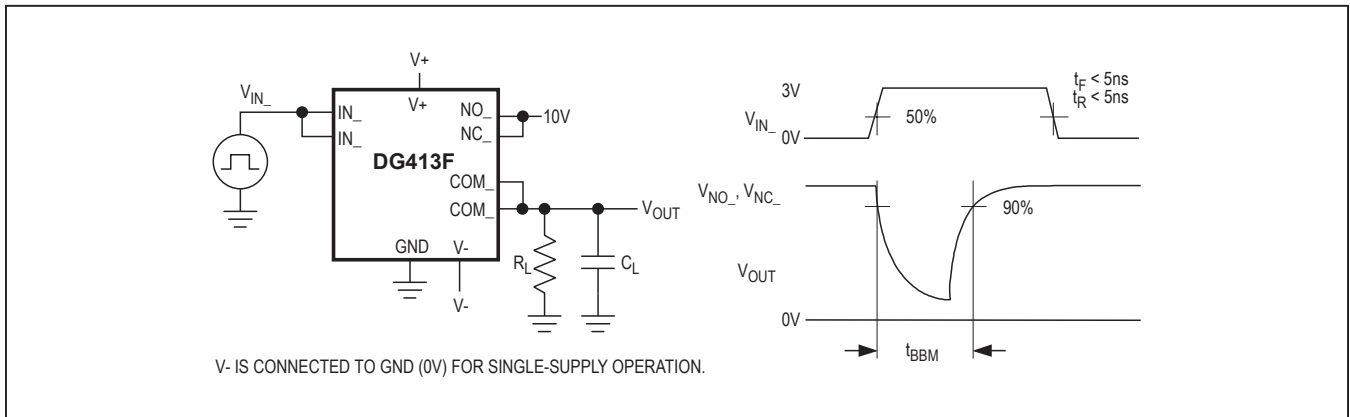


Figure 3. DG413F Break-Before-Make Interval

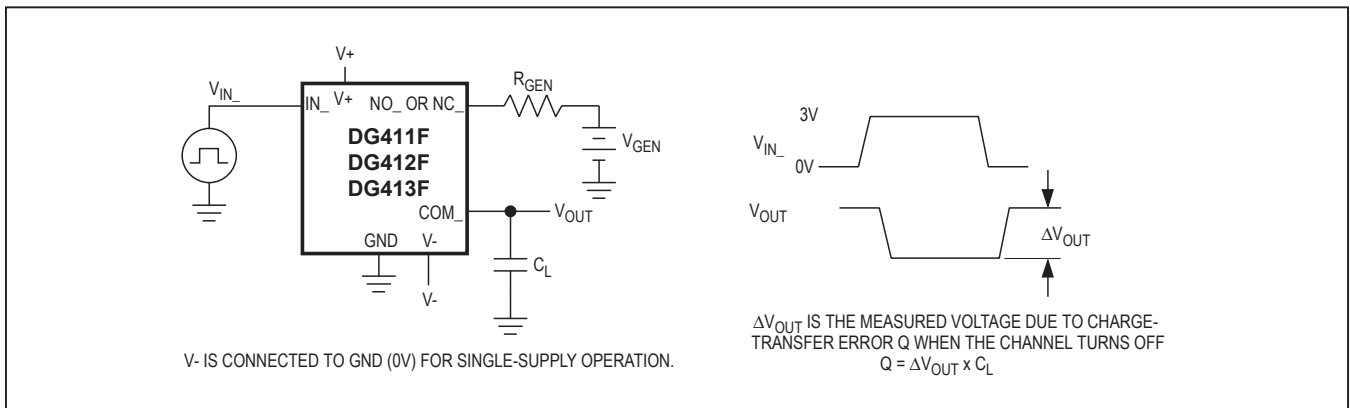


Figure 4. Charge Injection

DG411F/DG412F/
DG413F

Quad, Rail-to-Rail, Fault-Protected,
SPST Analog Switches

Test Circuits/Timing Diagrams (continued)

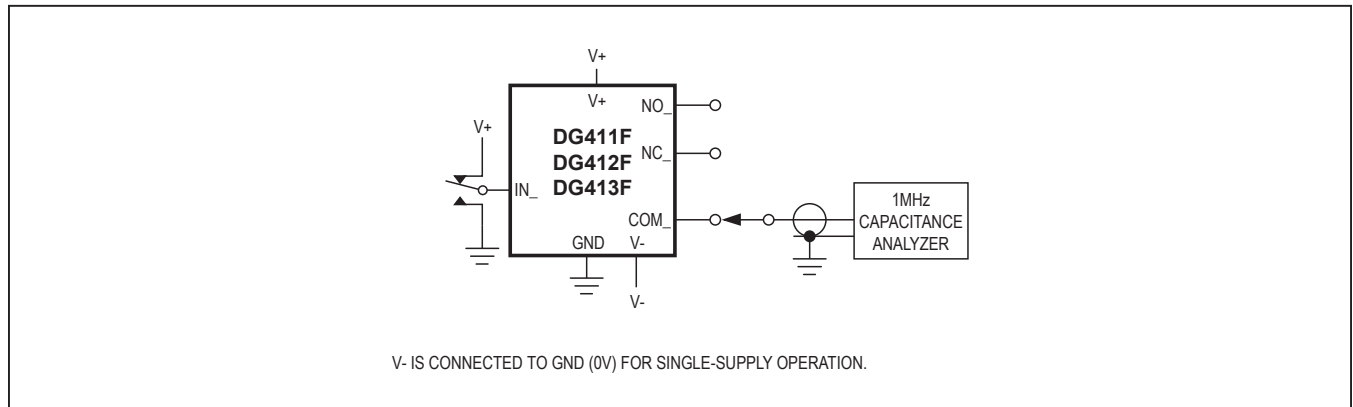


Figure 5. COM_, NO_, NC_ Capacitance

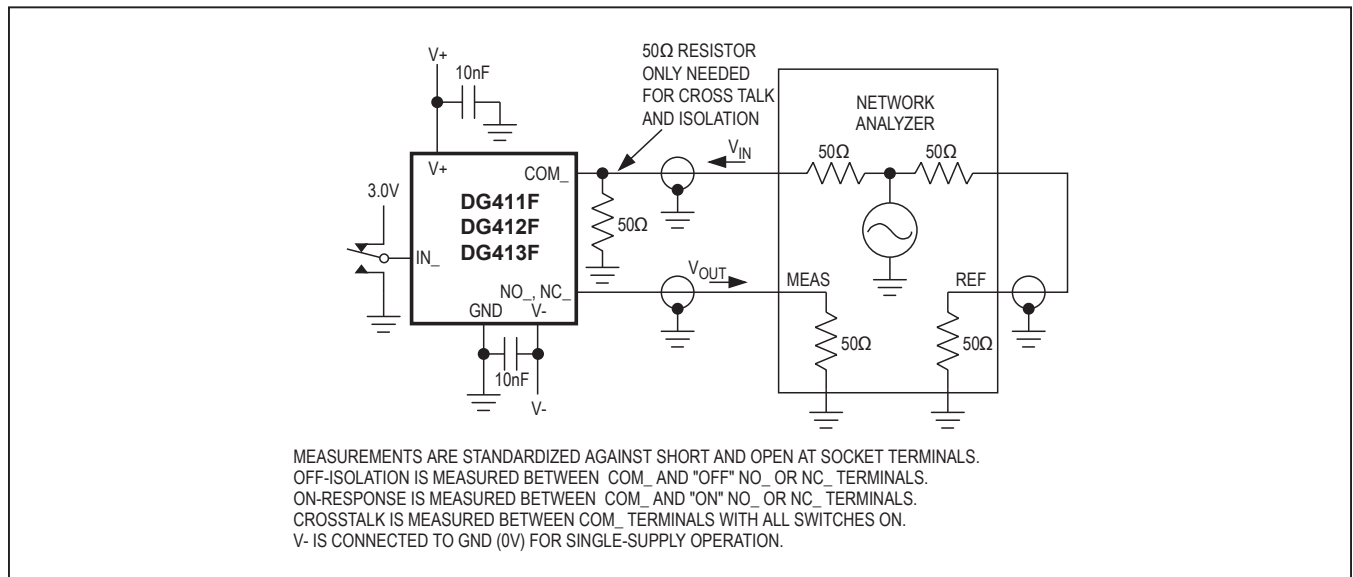


Figure 6. Frequency Response, Off-Isolation, and Crosstalk

DG411F/DG412F/
DG413F

Quad, Rail-to-Rail, Fault-Protected,
SPST Analog Switches

Ordering Information

PART	TEMP RANGE	PIN-PACKAGE
DG411 FEUE	-40°C to +85°C	16 TSSOP
DG411FDY	-40°C to +85°C	16 SO
DG411FDJ	-40°C to +85°C	16 Plastic DIP
DG412 FEUE	-40°C to +85°C	16 TSSOP
DG412FDY	-40°C to +85°C	16 SO
DG412FDJ	-40°C to +85°C	16 Plastic DIP
DG413 FEUE	-40°C to +85°C	16 TSSOP
DG413FDY	-40°C to +85°C	16 SO
DG413FDJ	-40°C to +85°C	16 Plastic DIP

Chip Information

TRANSISTOR COUNT: 251

PROCESS: CMOS

SUBSTRATE CONNECTED TO: V+

DG411F/DG412F/
DG413FQuad, Rail-to-Rail, Fault-Protected,
SPST Analog Switches

Revision History

REVISION NUMBER	REVISION DATE	DESCRIPTION	PAGES CHANGED
0	4/02	Initial release	—
1	3/21	Updated <i>Electrical Characteristics</i> tables and <i>Package Information</i> table	2, 4, 11

For pricing, delivery, and ordering information, please visit Maxim Integrated's online storefront at <https://www.maximintegrated.com/en/storefront/storefront.html>.

Maxim Integrated cannot assume responsibility for use of any circuitry other than circuitry entirely embodied in a Maxim Integrated product. No circuit patent licenses are implied. Maxim Integrated reserves the right to change the circuitry and specifications without notice at any time. The parametric values (min and max limits) shown in the *Electrical Characteristics* table are guaranteed. Other parametric values quoted in this data sheet are provided for guidance.

OUR CERTIFICATE

DiGi provide top-quality products and perfect service for customer worldwide through standardization, technological innovation and continuous improvement. DiGi through third-party certification, we stricly control the quality of products and services. Welcome your RFQ to

Email: Info@DiGi-Electronics.com



Tel: +00 852-30501935

RFQ Email: Info@DiGi-Electronics.com

DiGi is a global authorized distributor of electronic components.