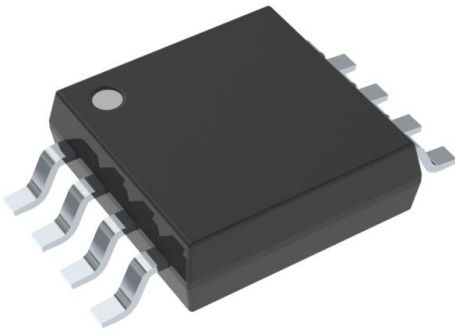


# DS1099U-FF+T Datasheet

[www.digi-electronics.com](http://www.digi-electronics.com)



<https://www.DiGi-Electronics.com>

DiGi Electronics Part Number	DS1099U-FF+T-DG
Manufacturer	<a href="#">Analog Devices Inc./Maxim Integrated</a>
Manufacturer Product Number	DS1099U-FF+T
Description	IC CLOCK GENERATOR 8UMAX
Detailed Description	Clock Generator IC 32.75kHz 1 8-TSSOP, 8-MSOP (0.118", 3.00mm Width)



Tel: +00 852-30501935

RFQ Email: [Info@DiGi-Electronics.com](mailto:Info@DiGi-Electronics.com)

DiGi is a global authorized distributor of electronic components.

## Purchase and inquiry

Manufacturer Product Number:

DS1099U-FF+T

Series:

EconOscillator™

DiGi-Electronics Programmable:

Not Verified

PLL:

No

Output:

CMOS, TTL

Ratio - Input:Output:

1:2

Frequency - Max:

32.75kHz

Voltage - Supply:

2.7V ~ 5.5V

Mounting Type:

Surface Mount

Supplier Device Package:

8-uMAX/uSOP

Manufacturer:

Analog Devices Inc./Maxim Integrated

Product Status:

Active

Type:

Clock Generator

Input:

Clock

Number of Circuits:

1

Differential - Input:Output:

No/No

Divider/Multiplier:

Yes/No

Operating Temperature:

-40°C ~ 125°C

Package / Case:

8-TSSOP, 8-MSOP (0.118", 3.00mm Width)

Base Product Number:

DS1099

## Environmental & Export classification

RoHS Status:

ROHS3 Compliant

REACH Status:

REACH Unaffected

HTSUS:

8542.39.0001

Moisture Sensitivity Level (MSL):

1 (Unlimited)

ECCN:

EAR99

## DS1099

## Low-Frequency Dual EconOscillator

### General Description

The DS1099 is a low-cost, low-power, low-frequency silicon oscillator that generates two square-wave outputs with frequencies between 0.25Hz and 1.048MHz. Individual output enables allow both outputs to be enabled/disabled independently. Both outputs are capable of sinking 16mA, allowing them to directly interface to light-emitting diodes (LEDs) as well as other external circuitry. The DS1099 operates over a wide supply voltage, making it suitable for both 3V and 5V systems. The device is shipped from the factory custom programmed and calibrated, ready to be inserted into the end application.

Contact the factory for custom frequencies or requirements.

### Applications

- Flashing LED Status Indicators
- Consumer Appliances
- Servers
- Printers
- Switch-Mode Power Supplies

### Features

- Low-Cost, Low-Frequency EconOscillator™ with Dual Outputs
- Factory Programmed
- Output Frequencies Independently Programmable from 0.25Hz to 1.048MHz
- 2.7V to 5.5V Single-Supply Operation
- No External Timing Components Required
- Independent Output Enables
- CMOS/TTL-Compatible Outputs
- Oscillator Outputs Capable of Sinking 16mA to Directly Drive LEDs
- Relieves Microprocessor of Periodic Interrupt
- Low-Power Consumption
- Operating Temperature Range: -40°C to +125°C
- ±100ppm/°C Temp Drift (max)

### Ordering Information

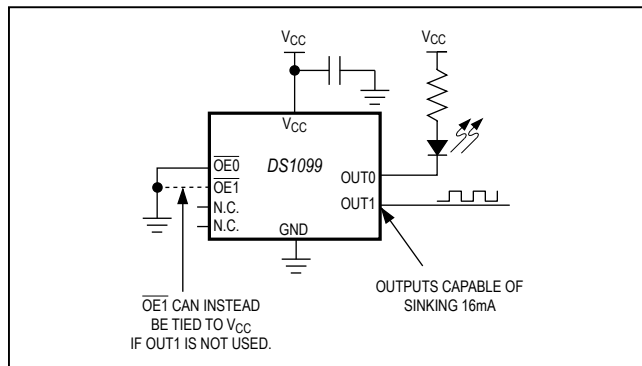
PART	TEMP RANGE	PIN-PACKAGE
DS1099U- $\alpha$ O $\alpha$ 1	-40°C to +125°C	8 $\mu$ SOP

\*Where  $\alpha$  0 and  $\alpha$  1 specify the factory-programmed divider settings for OUT0 and OUT1, respectively.

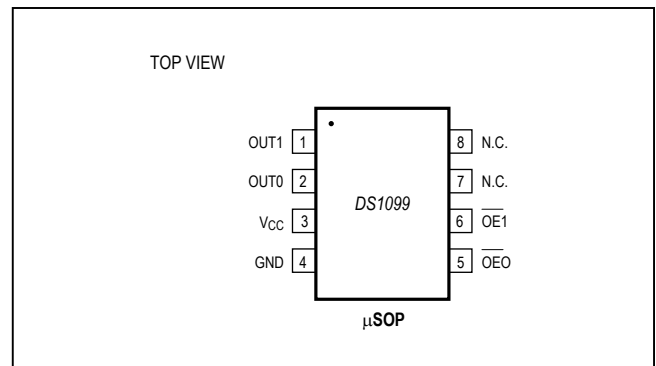
**Ordering information is continued on the last page.**

*EconOscillator is a trademark of Maxim Integrated Products, Inc.*

### Typical Operating Circuit



### Pin Configuration



## DS1099

## Low-Frequency Dual EconOscillator

**Absolute Maximum Ratings**

Voltage Range on  $V_{CC}$  Relative to Ground ..... -0.5V to +6.0V  
 Voltage Range on  $\overline{OE0}$  and  $\overline{OE1}$   
 Relative to Ground ..... -0.5V to ( $V_{CC} + 0.5V$ ),  
 not to exceed 6.0V

Operating Temperature Range ..... -40°C to +125°C  
 Storage Temperature Range ..... -55°C to +125°C  
 Soldering Temperature ..... See IPC/JEDEC  
 J-STD-020A Specification

*Stresses beyond those listed under "Absolute Maximum Ratings" may cause permanent damage to the device. These are stress ratings only, and functional operation of the device at these or any other conditions beyond those indicated in the operational sections of the specifications is not implied. Exposure to absolute maximum rating conditions for extended periods may affect device reliability.*

**Recommended DC Operating Conditions**

( $T_A = -40^\circ\text{C}$  to  $+125^\circ\text{C}$ )

PARAMETER	SYMBOL	CONDITIONS	MIN	TYP	MAX	UNITS
Supply Voltage	$V_{CC}$	(Note 1)	2.7		5.5	V
Input Logic 1 ( $\overline{OE0}$ , $\overline{OE1}$ )	$V_{IH}$		0.7 x $V_{CC}$		$V_{CC} +$ 0.3	V
Input Logic 0 ( $\overline{OE0}$ , $\overline{OE1}$ )	$V_{IL}$		-0.3		+0.3 x $V_{CC}$	V

**DC Electrical Characteristics**

( $V_{CC} = +2.7V$  to  $+5.5V$ ,  $T_A = -40^\circ\text{C}$  to  $+125^\circ\text{C}$ , unless otherwise noted.)

PARAMETER	SYMBOL	CONDITIONS	MIN	TYP	MAX	UNITS
Standby Supply Current	$I_{STBY}$	$\overline{OE0} = \overline{OE1} = V_{CC}$		145	275	$\mu\text{A}$
Active Supply Current (Note 2)	$I_{CC}$	$C_L = 15\text{pF}$ per output, $\overline{OE0} = \overline{OE1} = \text{GND}$ , $V_{CC} = 3.3V$	1.048MHz (both)	323		$\mu\text{A}$
			4kHz (both)	146		
			1Hz (both)	145		
High-Level Output Voltage (OUT0, OUT1)	$V_{OH}$	$I_{OH} = -1\text{mA}$ , $V_{CC} = \text{MIN}$	2.4			V
Low-Level Output Voltage (OUT0, OUT1)	$V_{OL}$	$I_{OL} = 16\text{mA}$ ( $-40^\circ\text{C}$ to $+85^\circ\text{C}$ ) $I_{OL} = 12\text{mA}$ ( $-40^\circ\text{C}$ to $+125^\circ\text{C}$ )			0.4	V
High-Level Input Current ( $\overline{OE0}$ , $\overline{OE1}$ )	$I_{IH}$	$V_{IH} = V_{CC}$			+1.0	$\mu\text{A}$
Low-Level Input Current ( $\overline{OE0}$ , $\overline{OE1}$ )	$I_{IL}$	$V_{IL} = 0.0V$	-1.0			$\mu\text{A}$

## DS1099

## Low-Frequency Dual EconOscillator

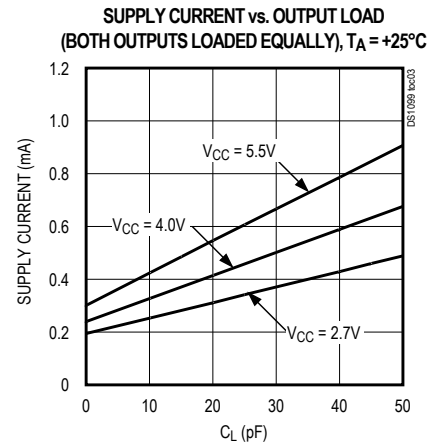
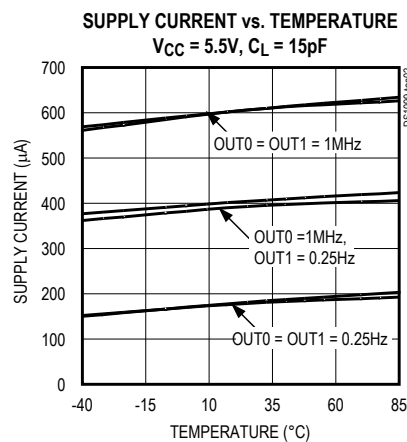
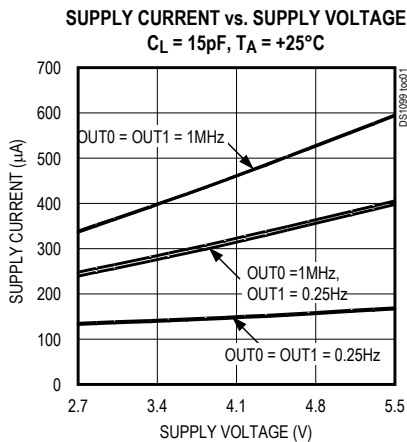
## AC Electrical Characteristics

(V<sub>CC</sub> = +2.7V to +5.5V, T<sub>A</sub> = -40°C to +125°C, unless otherwise noted.)

PARAMETER	SYMBOL	CONDITIONS	MIN	TYP	MAX	UNITS
Master Oscillator Frequency	f <sub>MOSC</sub>			1.048		MHz
Nominal Output Frequency	f <sub>OUT0</sub> , f <sub>OUT1</sub>		0.25	1,048,000		Hz
Output Frequency Tolerance	Δf <sub>OUT</sub>	T <sub>A</sub> = +25°C, V <sub>CC</sub> = 4.1V	-1.0		+1.0	%
Voltage Frequency Variation (Note 3)	Δf <sub>OUT</sub>	T <sub>A</sub> = +25°C 2.7V to 5.5V, T <sub>A</sub> = +25°C	-2.0	3300	+2.5	ppm/V
Temperature Frequency Variation	Δf <sub>OUT</sub>	(Notes 3, 4)	-100		+100	ppm/°C
Output Duty Cycle			45		55	%
Power-Up Time	t <sub>PU</sub>	(Note 5)			10	ms
Output Rise/Fall Time	t <sub>R</sub> , t <sub>F</sub>	C <sub>L</sub> = 15pF (both)			20	ns

**Note 1:** All voltages referenced to ground.**Note 2:** Active supply current combines the standby current with the output current. The output current is defined by  $I = (C_{LOAD} + 12pF) \times V_{CC} \times f_{OUT}$  for each output when enabled.**Note 3:** This is the change observed in output frequency due to changes in temperature or voltage.**Note 4:** This parameter is guaranteed by design.**Note 5:** This indicates the time between power-up and the outputs becoming active.

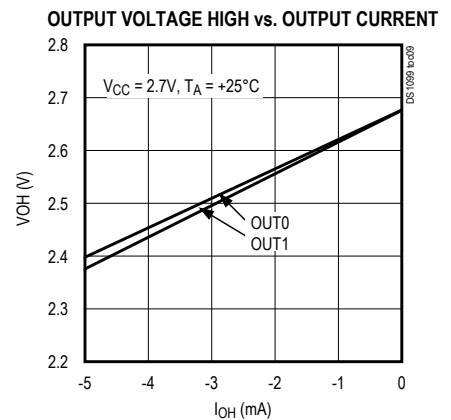
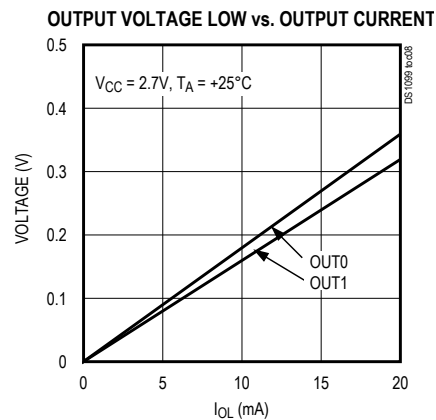
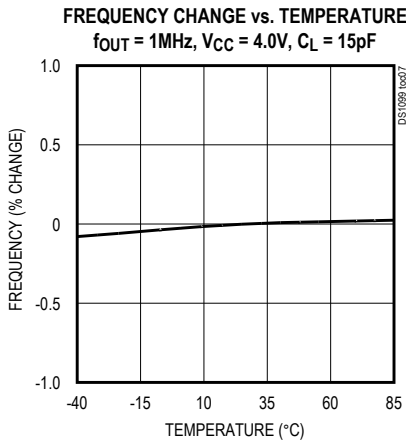
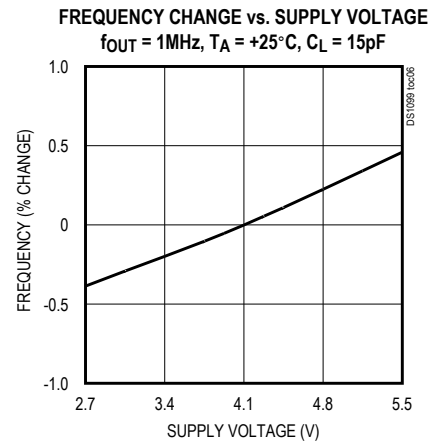
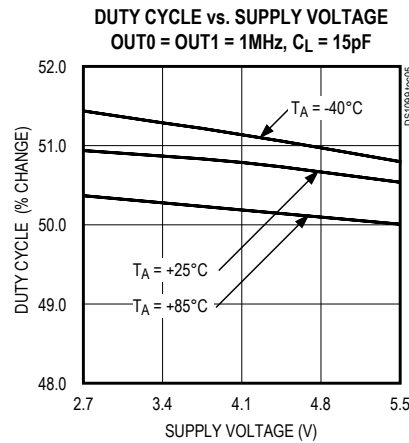
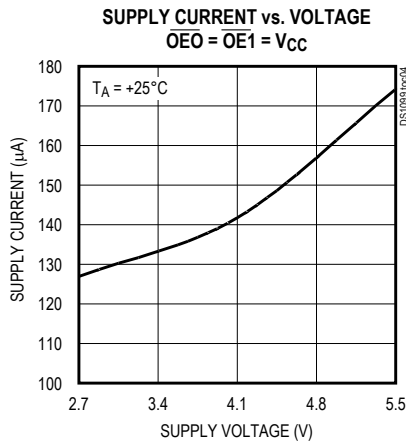
## Typical Operating Characteristics

(V<sub>CC</sub> = +5.0V, T<sub>A</sub> = +25°C, unless otherwise noted.)

## DS1099

## Low-Frequency Dual EconOscillator

## Typical Operating Characteristics (continued)

(V<sub>CC</sub> = +5.0V, T<sub>A</sub> = +25°C, unless otherwise noted.)

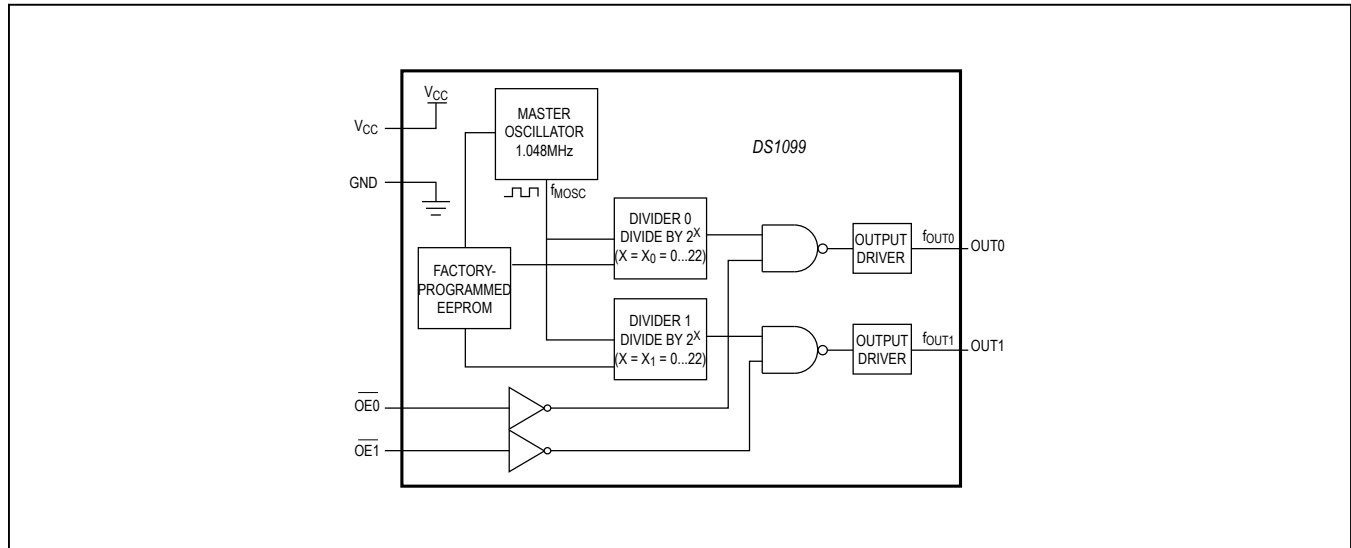
## Pin Description

PIN	NAME	FUNCTION
1	OUT1	Oscillator Outputs. Each output is forced high when the corresponding OE is high.
2	OUT0	
3	V <sub>CC</sub>	Positive Supply Terminal
4	GND	Ground
5	OE0	Output Enable for OUT0 and OUT1, respectively. When low, the outputs are enabled. When high, the corresponding output is disabled (forced high).
6	OE1	
7, 8	N.C.	No Connection

## DS1099

## Low-Frequency Dual EconOscillator

## Functional Diagram



## Detailed Description

The DS1099 consists of a fixed-frequency 1.048MHz master oscillator followed by two independent factory-programmable dividers. The two divider outputs are connected to pins OUT0 and OUT1, which are

**Table 1. Divider Settings and Output Frequencies**

DIVIDER SETTING $X_0$ OR $X_1$	DIVISOR	$f_{OUT0}$ OR $f_{OUT1}$
0	1	1.048MHz
1	2	0.524MHz
2	4	0.262MHz
3	8	0.131MHz
4	16	65.50kHz
5	32	32.75kHz
—	—	—
19	524,288	2Hz
20	1,048,576	1Hz
21	2,097,152	0.5Hz
22	4,194,304	0.25Hz

independently enabled/disabled using the output-enable pins,  $\overline{OE0}$  and  $\overline{OE1}$ , respectively. When the output-enable pins are active (low), the corresponding outputs are enabled. If either output-enable pin is tied to its inactive state (high), then the corresponding output is disabled and forced high immediately. The output-enable pins only disable the corresponding output driver(s) and do not shut down the master oscillator or the dividers.

Since the master oscillator frequency,  $f_{MOSC}$ , is fixed, the frequency of OUT0 and OUT1 is determined by DIVIDER 0 and DIVIDER 1, respectively. And since each output has its own divider,  $f_{OUT0}$  and  $f_{OUT1}$  can be programmed independent of each other.

The frequency of the outputs are calculated as follows:

$$f_{OUT0} = f_{MOSC}/2^{X0} = 1.048\text{MHz}/2^{X0}$$

$$f_{OUT1} = f_{MOSC}/2^{X1} = 1.048\text{MHz}/2^{X1}$$

where  $X_0$  is the DIVIDER 0 setting and  $X_1$  is the DIVIDER 1 setting. Valid values for  $X_0$  and  $X_1$  are integers 0 to 22 (dec).

Table 1 shows output frequencies and divider values for the range of divider settings.

## DS1099

## Low-Frequency Dual EconOscillator

The divider settings,  $X_0$  and  $X_1$ , are factory programmed. When placing an order for the DS1099, it is required to specify  $X_0$  and  $X_1$ . If only one output is used, it is recommended that the unused output be disabled.

The oscillator outputs are asynchronous. Since the master oscillator and dividers are free running, even when both outputs are disabled, the state of the output when  $\overline{OE}$  becomes active is unknown for up to half an  $f_{OUT}$  period. When  $\overline{OE}$  is brought low, the output is enabled instantaneously. Likewise, if the output is disabled while outputting the low half of a cycle, the output instantaneously is forced high before the current cycle is completed.

## Ordering Information (continued)

$\alpha$	DIVISOR	$f_{OUT}$
A	$2^0$	1.048MHz
B	$2^1$	0.524MHz
C	$2^2$	0.262MHz
D	$2^3$	0.131MHz
E	$2^4$	65.50kHz
F	$2^5$	32.750kHz
G	$2^6$	16.375kHz
H	$2^7$	8.187kHz
J	$2^8$	4.093kHz
K	$2^9$	2.046kHz
L	$2^{10}$	1.023kHz
M	$2^{11}$	511.7Hz
N	$2^{12}$	255.8Hz
P	$2^{13}$	127.9Hz
Q	$2^{14}$	63.96Hz
R	$2^{15}$	31.98Hz
S	$2^{16}$	16Hz
T	$2^{17}$	8Hz
U	$2^{18}$	4Hz
W	$2^{19}$	2Hz
X	$2^{20}$	1Hz
Y	$2^{21}$	0.5Hz
Z	$2^{22}$	0.25Hz

## Branding Information

The package branding includes a0 and a1 on the top of the package next to or below 1099.

## Applications Information

## Power-Supply Decoupling

To achieve best results, it is highly recommended that a decoupling capacitor is used on the IC power-supply pins. Typical values of decoupling capacitors are 0.01 $\mu$ F and 0.1 $\mu$ F. Use a high-quality, ceramic, surface-mount capacitor, and mount it as close as possible to the  $V_{CC}$  and GND pins of the IC to minimize lead inductance.

## Chip Topology

SUBSTRATE CONNECTED TO Ground

## Package Information

For the latest package outline information and land patterns (footprints), go to [www.maximintegrated.com/packages](http://www.maximintegrated.com/packages). Note that a "+", "#", or "-" in the package code indicates RoHS status only. Package drawings may show a different suffix character, but the drawing pertains to the package regardless of RoHS status.



DS1099

Low-Frequency Dual EconOscillator

## Revision History

REVISION NUMBER	REVISION DATE	DESCRIPTION	PAGES CHANGED
1	9/07	—	1, 2, 3, 5, 6
2	5/15	Remove automotive reference from data sheet	1

For pricing, delivery, and ordering information, please contact Maxim Direct at 1-888-629-4642, or visit Maxim Integrated's website at [www.maximintegrated.com](http://www.maximintegrated.com).

*Maxim Integrated cannot assume responsibility for use of any circuitry other than circuitry entirely embodied in a Maxim Integrated product. No circuit patent licenses are implied. Maxim Integrated reserves the right to change the circuitry and specifications without notice at any time. The parametric values (min and max limits) shown in the Electrical Characteristics table are guaranteed. Other parametric values quoted in this data sheet are provided for guidance.*

## OUR CERTIFICATE

DiGi provide top-quality products and perfect service for customer worldwide through standardization, technological innovation and continuous improvement. DiGi through third-party certification, we strictly control the quality of products and services. Welcome your RFQ to

Email: [Info@DiGi-Electronics.com](mailto:Info@DiGi-Electronics.com)



Tel: +00 852-30501935

RFQ Email: [Info@DiGi-Electronics.com](mailto:Info@DiGi-Electronics.com)

DiGi is a global authorized distributor of electronic components.