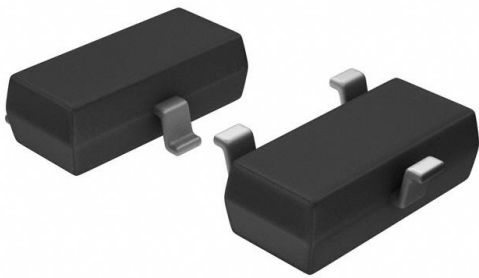


DS1812R-5+T&R Datasheet

www.digi-electronics.com



<https://www.DiGi-Electronics.com>

| | |
|------------------------------|--|
| DiGi Electronics Part Number | DS1812R-5+T&R-DG |
| Manufacturer | Analog Devices Inc./Maxim Integrated |
| Manufacturer Product Number | DS1812R-5+T&R |
| Description | IC SUPERVISOR 1 CHANNEL SOT23-3 |
| Detailed Description | Supervisor Push-Pull, Totem Pole 1 Channel SOT-23-3 |



Tel: +00 852-30501935

RFQ Email: Info@DiGi-Electronics.com

DiGi is a global authorized distributor of electronic components.

Purchase and inquiry

Manufacturer Product Number:

DS1812R-5+T&R

Series:

EconoReset

DiGi-Electronics Programmable:

Not Verified

Number of Voltages Monitored:

1

Output:

Push-Pull, Totem Pole

Reset Timeout:

100ms Minimum

Mounting Type:

Surface Mount

Supplier Device Package:

SOT-23-3

Manufacturer:

Analog Devices Inc./Maxim Integrated

Product Status:

Active

Type:

Simple Reset/Power-On Reset

Voltage - Threshold:

4.62V

Reset:

Active High

Operating Temperature:

-40°C ~ 85°C (TA)

Package / Case:

TO-236-3, SC-59, SOT-23-3

Base Product Number:

DS1812

Environmental & Export classification

RoHS Status:

ROHS3 Compliant

REACH Status:

REACH Unaffected

HTSUS:

8542.39.0001

Moisture Sensitivity Level (MSL):

1 (Unlimited)

ECCN:

EAR99



DS1812

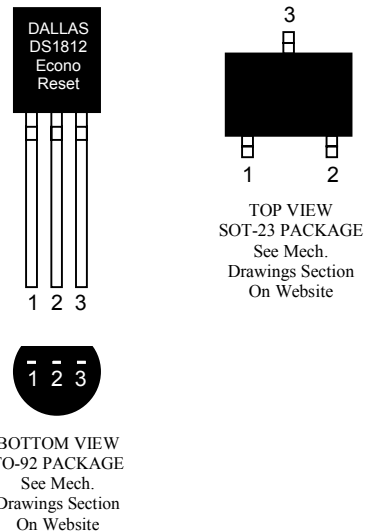
5V EconoReset with Active High Push-Pull Output

www.maxim-ic.com

FEATURES

- Automatically restarts a microprocessor after power failure
- Maintains reset for 150 ms after V_{CC} returns to an in-tolerance condition
- Reduces need for discrete components
- Precision temperature-compensated voltage reference and voltage sensor
- Low-cost TO-92, or space saving surface mount SOT-23 packages available
- Push-pull active high output
- Operating temperature -40°C to $+85^{\circ}\text{C}$

PIN ASSIGNMENT



PIN DESCRIPTION

TO-92

| | | |
|---|----------|--------------------------|
| 1 | RST | Active High Reset Output |
| 2 | V_{CC} | Power Supply |
| 3 | GND | Ground |

SOT-23

| | | |
|---|----------|--------------------------|
| 1 | RST | Active High Reset Output |
| 2 | V_{CC} | Power Supply |
| 3 | GND | Ground |

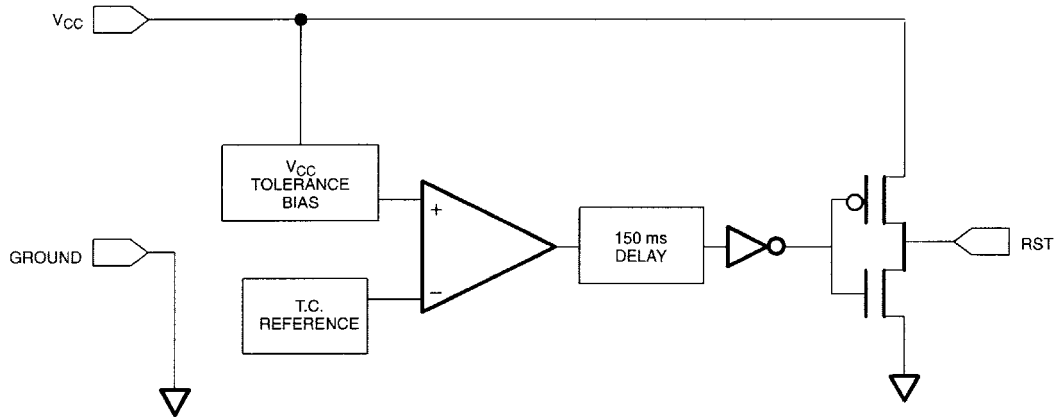
DESCRIPTION

The DS1812 EconoReset uses a precision temperature reference and comparator circuit to monitor the status of the power supply (V_{CC}). When an out-of-tolerance condition is detected, an internal power-fail signal is generated which forces reset to the active state. When V_{CC} returns to an in-tolerance condition, the reset signal is kept in the active state for approximately 150 ms to allow the power supply and processor to stabilize.

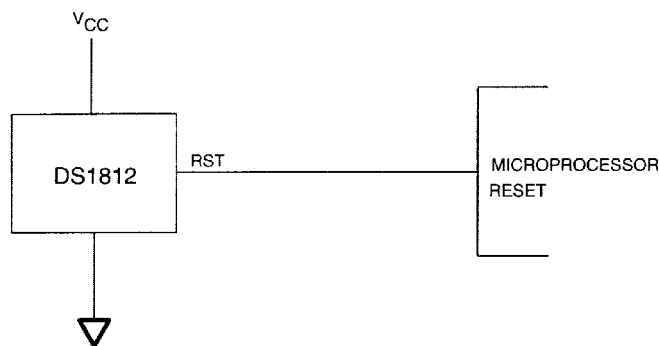
OPERATION - POWER MONITOR

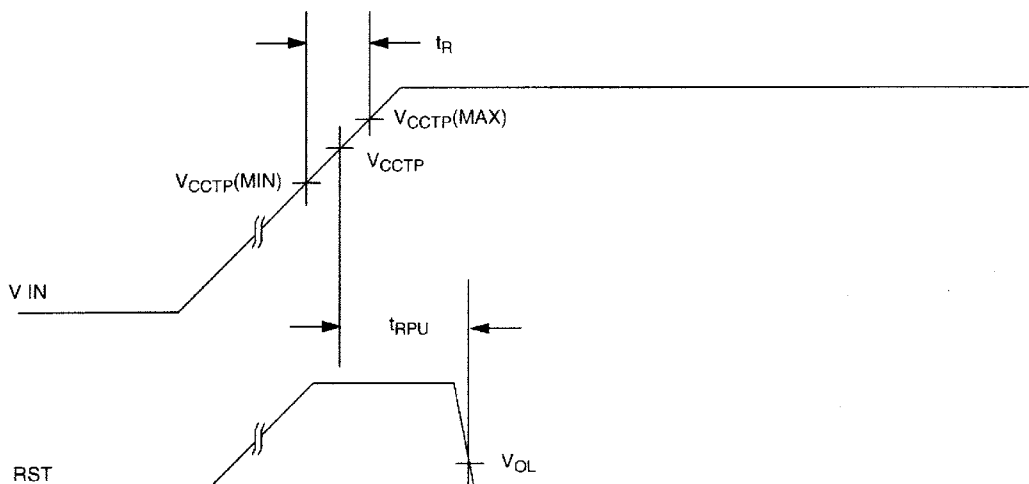
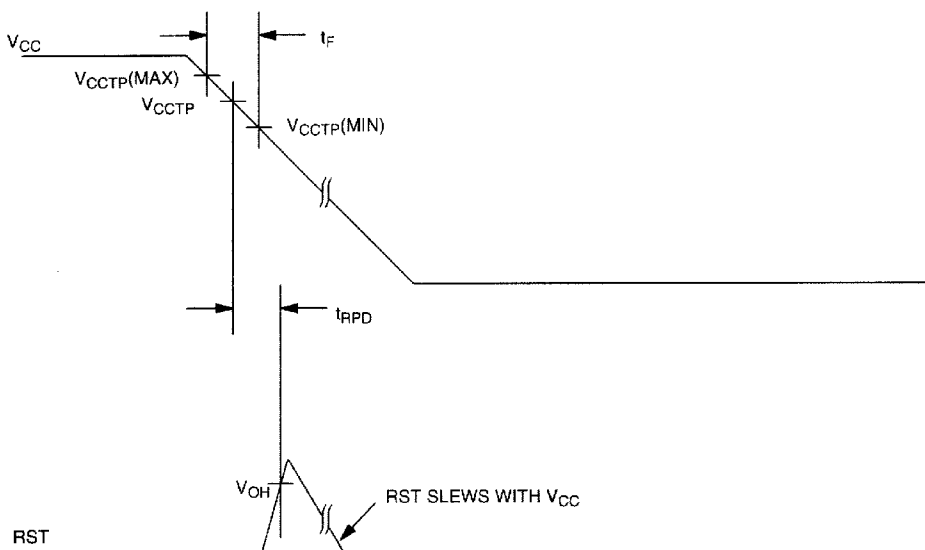
The DS1812 provides the function of detecting out-of-tolerance power supply conditions and warning a processor-based system of impending power failure. When V_{CC} is detected as out-of-tolerance, the RST signal is asserted. On power-up, RST is kept active for approximately 150 ms after the power supply has reached the selected tolerance. This allows the power supply and microprocessor to stabilize before RST is released.

BLOCK DIAGRAM (CMOS OUTPUT) Figure 1



APPLICATION EXAMPLE Figure 2



TIMING DIAGRAM: POWER-UP Figure 3**TIMING DIAGRAM: POWER-DOWN Figure 4**

ABSOLUTE MAXIMUM RATINGS*

| | |
|---|--------------------------------|
| Voltage on V _{CC} Pin Relative to Ground | -0.5V to +7.0V |
| Voltage on RST Relative to Ground | -0.5V to V _{CC} +0.5V |
| Operating Temperature | -40°C to +85°C |
| Storage Temperature | -55°C to +125°C |
| Soldering Temperature | 260°C for 10 seconds |

* This is a stress rating only and functional operation of the device at these or any other conditions above those indicated in the operation sections of this specification is not implied. Exposure to absolute maximum rating conditions for extended periods of time may affect reliability.

RECOMMENDED DC OPERATING CONDITIONS (-40°C to +85°C)

| PARAMETER | SYMBOL | MIN | TYP | MAX | UNITS | NOTES |
|----------------|-----------------|-----|-----|-----|-------|-------|
| Supply Voltage | V _{CC} | 0.0 | | 5.5 | V | 1 |

DC ELECTRICAL CHARACTERISTICS (-40°C to +85°C; V_{CC}=1.2V to 5.5V)

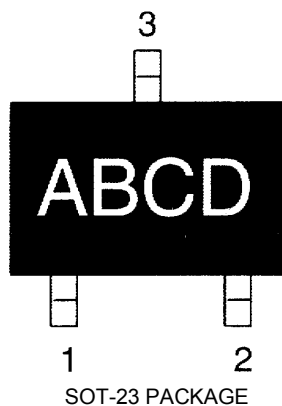
| PARAMETER | SYMBOL | MIN | TYP | MAX | UNITS | NOTES |
|---|--------------------|--------------------------|--------------------------|------|-------|-------|
| Output Voltage @ 0-500 μA | V _{OH} | V _{CC} -0.5V | V _{CC} -0.1V | | V | 1 |
| Output Current @ 2.4 volts | I _{OH} | | 350 | | μA | 2 |
| Output Current @ 0.4 volts | I _{OL} | +10 | | | mA | 2 |
| Operating Current V _{CC} < 5.5 | I _{CC} | | 30 | 40 | μA | 3 |
| V _{CC} Trip Point (DS1812-5) | V _{CCCTP} | 4.50 | 4.62 | 4.75 | V | 1 |
| V _{CC} Trip Point (DS1812-10) | V _{CCCTP} | 4.25 | 4.35 | 4.49 | V | 1 |
| V _{CC} Trip Point (DS1812-15) | V _{CCCTP} | 4.00 | 4.13 | 4.24 | V | 1 |
| Output Capacitance | C _{OUT} | | | 10 | pF | |

AC ELECTRICAL CHARACTERISTICS (-40°C to +85°C; V_{CC}=1.2V to 5.5V)

| PARAMETER | SYMBOL | MIN | TYP | MAX | UNITS | NOTES |
|---|------------------|-----|-----|-----|-------|-------|
| RESET Active Time | t _{RST} | 100 | 150 | 300 | ms | |
| V _{CC} Detect to RST | t _{RPD} | | 2 | 5 | μs | |
| V _{CC} Slew Rate (V _{CCCTP} (MAX) to V _{CCCTP} (MIN)) | t _F | 300 | | | μs | |
| V _{CC} Slew Rate (V _{CCCTP} (MIN) to V _{CCCTP} (MAX)) | t _R | 0 | | | ns | |
| V _{CC} Detect to RST | t _{RPU} | 100 | 150 | 300 | ms | 4 |

NOTES:

1. All voltages are referenced to ground.
2. Measured with $V_{CC} \geq 2.7$ volts.
3. Measured with RST output open.
4. $t_R = 5 \mu s$.

PART MARKING CODES

“A”, “B”, & “C” represent the device type.

| | | |
|-----|---|--------|
| 810 | - | DS1810 |
| 811 | - | DS1811 |
| 812 | - | DS1812 |
| 813 | - | DS1813 |
| 815 | - | DS1815 |
| 816 | - | DS1816 |
| 817 | - | DS1817 |
| 818 | - | DS1818 |

“D” represents the device tolerance.

| | | |
|---|---|-----|
| A | - | 5% |
| B | - | 10% |
| C | - | 15% |
| D | - | 20% |

OUR CERTIFICATE

DiGi provide top-quality products and perfect service for customer worldwide through standardization, technological innovation and continuous improvement. DiGi through third-party certification, we stricly control the quality of products and services. Welcome your RFQ to

Email: Info@DiGi-Electronics.com



Tel: +00 852-30501935

RFQ Email: Info@DiGi-Electronics.com

DiGi is a global authorized distributor of electronic components.