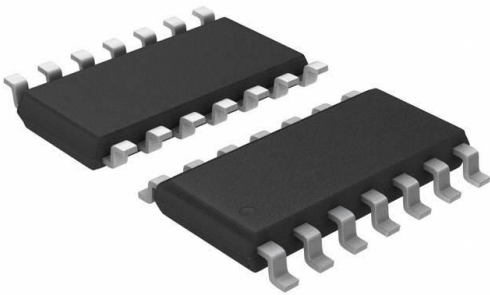


MAX4027ESD+ Datasheet

www.digi-electronics.com



<https://www.DiGi-Electronics.com>

DiGi Electronics Part Number	MAX4027ESD+-DG
Manufacturer	Analog Devices Inc./Maxim Integrated
Manufacturer Product Number	MAX4027ESD+
Description	IC AMP MPLEX AMP 14SOIC
Detailed Description	Video Amp 3 2:1 Multiplexer-Amplifier 14-SOIC



Tel: +00 852-30501935

RFQ Email: Info@DiGi-Electronics.com

DiGi is a global authorized distributor of electronic components.

Purchase and inquiry

Manufacturer Product Number:

MAX4027ESD+

Series:

-

Applications:

2:1 Multiplexer-Amplifier

Number of Circuits:

3

Slew Rate:

1100V/ μ s

Current - Output / Channel:

143 mA

Mounting Type:

Surface Mount

Supplier Device Package:

14-SOIC

Manufacturer:

Analog Devices Inc./Maxim Integrated

Product Status:

Obsolete

Output Type:

-

-3db Bandwidth:

225 MHz

Current - Supply:

31 mA

Voltage - Supply, Single/Dual (\pm):

\pm 4.5V ~ 5.5V

Package / Case:

14-SOIC (0.154", 3.90mm Width)

Base Product Number:

MAX4027

Environmental & Export classification

RoHS Status:

ROHS3 Compliant

REACH Status:

REACH Unaffected

HTSUS:

8542.33.0001

Moisture Sensitivity Level (MSL):

1 (Unlimited)

ECCN:

EAR99

MAXIM

225MHz, Triple, 2-Channel Video Multiplexer-Amplifier

General Description

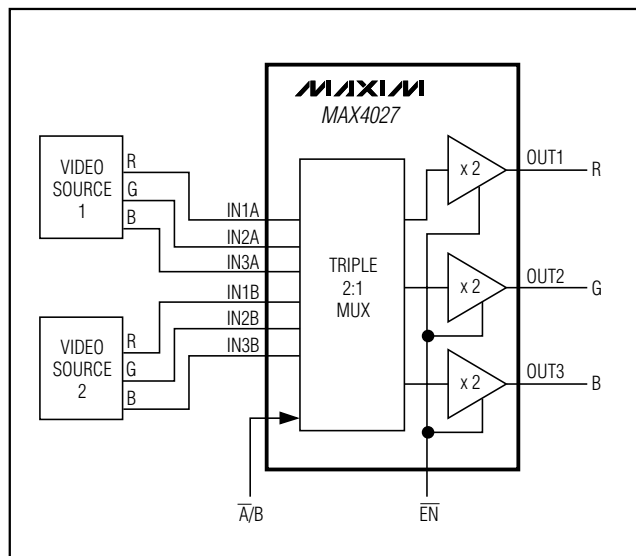
The MAX4027 is a triple, wideband, 2-channel, noninverting gain-of-two video amplifier with input multiplexing, capable of driving up to two back-terminated video loads. The MAX4027 features current-mode feedback amplifiers configured for a gain of two (+6dB) with a -3dB large-signal bandwidth of 200MHz. The device has low (0.012%/0.014°) differential gain and phase errors, and operates from $\pm 5V$ supplies.

The MAX4027 is ideal for use in broadcast and graphics video systems because of the low 2pF input capacitance, channel-to-channel switching time of only 15ns, and wide 62MHz, large-signal 0.1dB bandwidth. High-impedance output disabling allows the MAX4027 to be incorporated into large switching arrays with minimal interaction with the source. Specified over the -40°C to +85°C extended temperature range, the MAX4027 is available in 14-pin SO and TSSOP packages.

Applications

Video Source Selection (Multiplexing)
 Picture in Picture (PIP) Insertion
 Crosspoint Expansion
 Coaxial Cable Drivers
 Supports VGA to UXGA (1600 x 1200) Resolution
 Enterprise Class (Blade) Servers
 Keyboard-Video-Mouse (KVM)

Typical Operating Circuit



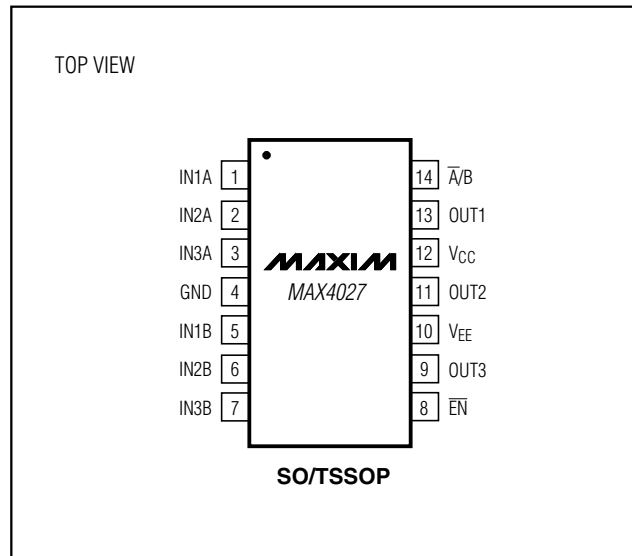
Features

- ◆ Excellent Video Specifications:
 - 75MHz Small-Signal 0.1dB Gain Flatness
 - 62MHz Large-Signal 0.1dB Gain Flatness
 - 0.012%/0.014° Differential Gain/Phase Error
- ◆ VGA to UXGA Resolution
- ◆ High Speed:
 - 200MHz 2Vp-p -3dB Bandwidth
 - 1100V/ μ s Slew Rate
 - 15ns Settling Time to 0.1%
- ◆ Internal Gain of 2V/V Compensates for Output Back Termination
- ◆ Fast Switching:
 - 15ns Channel-Switching Time
 - 260mVp-p Switching Transient
- ◆ Drives Two Back-Terminated Video Loads
- ◆ High-Impedance Output Disable

Ordering Information

PART	TEMP RANGE	PIN-PACKAGE
MAX4027ESD	-40°C to +85°C	14 SO
MAX4027EUD	-40°C to +85°C	14 TSSOP

Pin Configuration

**MAXIM**

Maxim Integrated Products 1

For pricing, delivery, and ordering information, please contact Maxim/Dallas Direct! at 1-888-629-4642, or visit Maxim's website at www.maxim-ic.com.

MAX4027

225MHz, Triple, 2-Channel Video Multiplexer-Amplifier

ABSOLUTE MAXIMUM RATINGS

Positive Supply Voltage (V_{CC} to GND)+6V
 Negative Supply Voltage (V_{EE} to GND)-6V
 Amplifier Input Voltage ($V_{IN_}$)($V_{EE} - 0.3V$) to ($V_{CC} + 0.3V$)
 Digital Input Voltage (\overline{EN} , A/B)-0.3V to ($V_{CC} + 0.3V$)
 Output Short Circuit to GND (Note 1).....Continuous
 Output Short Circuit to V_{CC} or V_{EE} 5s

Continuous Power Dissipation ($T_A = +70^\circ\text{C}$)
 14-Pin TSSOP (derate 9.1mW/ $^\circ\text{C}$ above $+70^\circ\text{C}$)727mW
 14-Pin SO (derate 8.3mW/ $^\circ\text{C}$ above $+70^\circ\text{C}$).....667mW
 Operating Temperature Range-40 $^\circ\text{C}$ to +85 $^\circ\text{C}$
 Storage Temperature Range-65 $^\circ\text{C}$ to +150 $^\circ\text{C}$
 Junction Temperature+150 $^\circ\text{C}$
 Lead Temperature (soldering, 10s)+300 $^\circ\text{C}$

Note 1: Continuous power-dissipation rating must also be observed.

Stresses beyond those listed under "Absolute Maximum Ratings" may cause permanent damage to the device. These are stress ratings only, and functional operation of the device at these or any other conditions beyond those indicated in the operational sections of the specifications is not implied. Exposure to absolute maximum rating conditions for extended periods may affect device reliability.

DC ELECTRICAL CHARACTERISTICS

($V_{CC} = 5V$, $V_{EE} = -5V$, $V_{IN_} = 0V$, $R_L = 150\Omega$ to GND, $T_A = -40^\circ\text{C}$ to $+85^\circ\text{C}$. Typical values are at $T_A = +25^\circ\text{C}$.) (Note 2)

PARAMETER	SYMBOL	CONDITIONS		MIN	TYP	MAX	UNITS
Operating Supply Voltage Range	V_{CC}	Inferred from the PSRR test		+4.5	+5.0	+5.5	V
	V_{EE}			-4.5	-5.0	-5.5	
Positive Supply Current	I_{CC}	$\overline{EN} = \text{GND}$			31	39	mA
		$\overline{EN} = 5V$			17	24	
Negative Supply Current	I_{EE}	$\overline{EN} = \text{GND}$			28	36	mA
		$\overline{EN} = 5V$			15	21	
Input Voltage Range	$V_{IN_}$	Inferred from voltage gain		± 1.25	± 1.75		V
Input Offset Voltage	V_{OS}	$T_A = +25^\circ\text{C}$			± 1	± 6	mV
		$T_A = -40^\circ\text{C}$ to $+85^\circ\text{C}$				± 11	
Input Offset-Voltage Matching	ΔV_{OS}	Channel to channel			± 1	± 12	mV
Voltage Gain	A_V	$V_{OUT_} = \pm 2.5V$		1.9	2.0	2.1	V/V
Input Offset-Voltage Temperature Coefficient	TCV_{OS}				1		$\mu\text{V}/^\circ\text{C}$
Input Bias Current	I_B	$T_A = +25^\circ\text{C}$			± 2	± 10	μA
		$T_A = -40^\circ\text{C}$ to $+85^\circ\text{C}$				± 18	
Input Resistance	R_{IN}	$V_{IN_} = -1.25V$ to $+1.25V$	Channel on	100	400		$k\Omega$
			Channel off	1	20		$M\Omega$
DC Output Resistance	R_{OUT}				10		$m\Omega$
Disabled Output Resistance	$R_{OUT(d)}$	$\overline{EN} = 5V$, $V_{OUT_} = -2.5V$ to $+2.5V$ (Note 3)			1.6		$k\Omega$
DC Power-Supply Rejection Ratio	PSRR	$V_{CC} = +4.5V$ to $+5.5V$, $V_{EE} = -4.5V$ to $-5.5V$		60	86		dB
Output Voltage Swing	$V_{OUT_}$			± 2.5	± 3.5		V
Output Short-Circuit Current	I_{SC}				± 143		mA
LOGIC CHARACTERISTICS (\overline{EN}, A/B)							
Logic-Low Threshold	V_{IL}					0.8	V
Logic-High Threshold	V_{IH}			2.0			V
Logic-Low Input Current	I_{IL}	$V_{IL} = 0V$			-4	-20	μA
Logic-High Input Current	I_{IH}	$V_{IH} = +5.5V$, $V_{CC} = +5.5V$			350	600	μA

225MHz, Triple, 2-Channel Video Multiplexer-Amplifier

MAX4027

AC ELECTRICAL CHARACTERISTICS

(V_{CC} = 5V, V_{EE} = -5V, V_{IN_} = 0V, R_{IN} = 75Ω to GND, R_L = 150Ω to GND, T_A = +25°C, unless otherwise noted.)

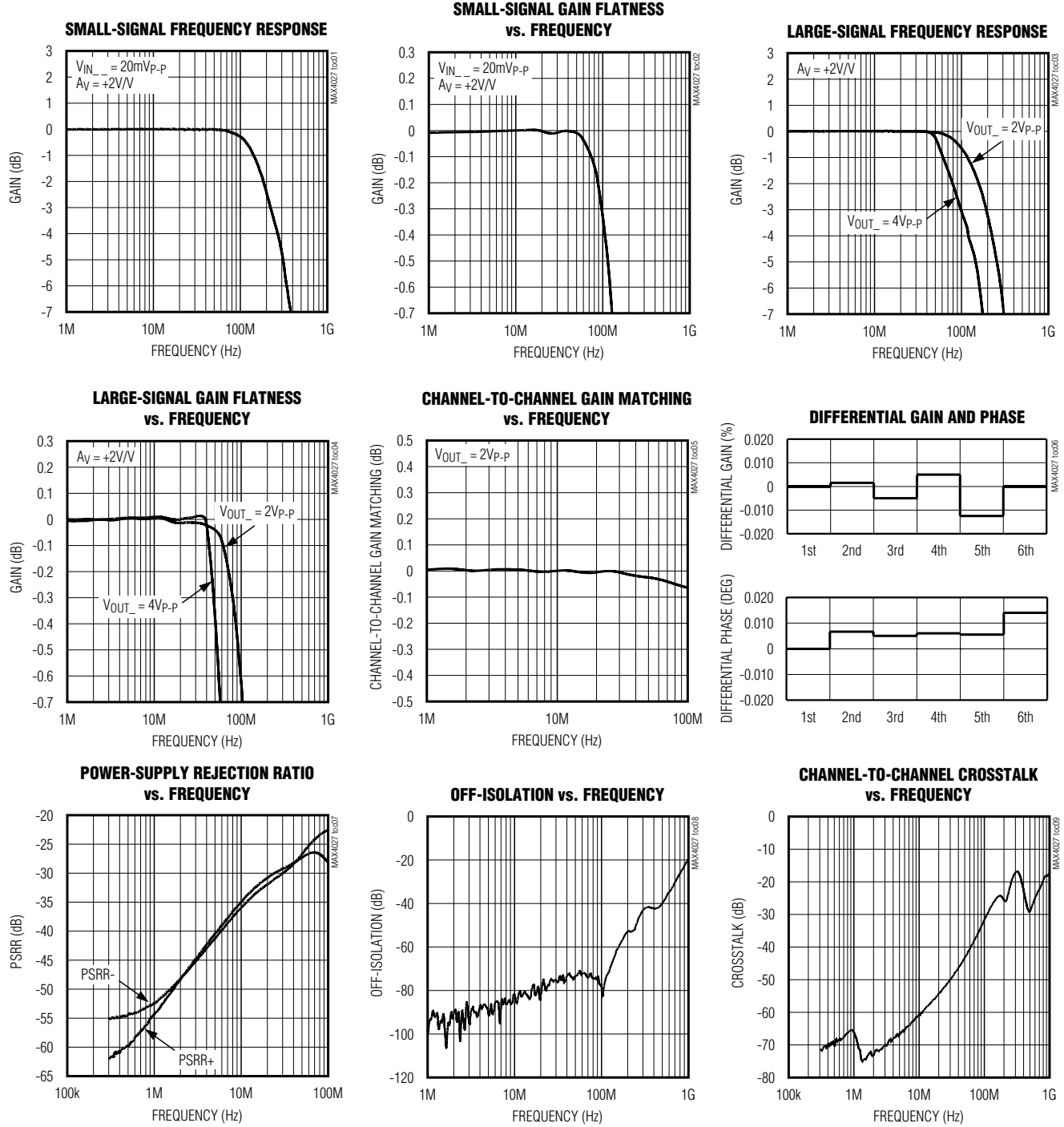
PARAMETER	SYMBOL	CONDITIONS	MIN	TYP	MAX	UNITS
AMPLIFIER CHARACTERISTICS						
Small-Signal -3dB Bandwidth	BW _{SS}	V _{IN_} = 20mV _{P-P}		225		MHz
Small-Signal Bandwidth for ±0.1dB Gain Flatness	BW _{LS(0.1)}	V _{IN_} = 20mV _{P-P}		75		MHz
Large-Signal -3dB Bandwidth	BW _{LS}	V _{IN_} = 1V _{P-P}		200		MHz
Large-Signal Bandwidth for ±0.1dB Gain Flatness	BW _{LS(0.1)}	V _{IN_} = 1V _{P-P}		62		MHz
Slew Rate	SR	V _{IN_} = 1V _{P-P}		1100		V/μs
Settling Time to 0.1%	t _S	V _{IN_} = 1V _{P-P}		15		ns
Differential Gain Error	DG	5-step modulated staircase (Note 4)		0.012		%
Differential Phase Error	DP	5-step modulated staircase (Note 4)		0.014		degrees
Delay Between Channels	t _D	V _{IN_} = 1V _{P-P} , t _R = 100ps		0.1		ns
Channel-to-Channel Crosstalk	XTALK	V _{IN_} = ±1V _{P-P} , f = 10MHz		-61		dB
A/B Crosstalk		V _{IN_} = ±1V _{P-P} , f = 10MHz		-80		dB
Output Impedance	Z _{OUT}	f = 10MHz		1		Ω
Total Harmonic Distortion	THD	V _{OUT_} = 2V _{P-P} , f = 10MHz		64		dBc
Off-Isolation	AISO	V _{OUT_} = 2V _{P-P} , f = 10MHz, R _S = 75Ω		-83		dB
Output Capacitance	C _{OUT}	Channel on or off		3		pF
Input Capacitance	C _{IN}	Channel on or off		2		pF
Input-Voltage Noise Density	e _n	f = 100kHz		6.5		nV/√Hz
Input-Current Noise Density	i _n	f = 100kHz		6.5		pA/√Hz
SWITCHING CHARACTERISTICS						
Channel-Switching Time	t _{SW}	(Notes 5, 6)		15		ns
Enable Delay Time	t _{PDE}	(Notes 5, 7)		20		ns
Disable Delay Time	t _{PDD}	(Notes 5, 7)		25		ns
Switching Transient	V _{TRAN}	(Note 8)		260		mV _{P-P}

Note 2: Limits are 100% production tested at T_A = +25°C. Limits over the operating temperature range are guaranteed by design.**Note 3:** Disabled output resistance includes the internal feedback network.**Note 4:** Input test signal is NTSC composite with 5-step staircase, of 40 IRE per step, modulated with 3.58MHz color subcarrier.**Note 5:** See the Timing Diagram (Figure 2).**Note 6:** Channel-switching time specified for switching between input channels; does not include signal rise/fall times for switching between channels with different input voltages.**Note 7:** Output enable/disable delay times do not include amplifier output slewing times.**Note 8:** Switching transient measured while switching between two grounded channels.

225MHz, Triple, 2-Channel Video Multiplexer-Amplifier

Typical Operating Characteristics

($V_{CC} = +5V$, $V_{EE} = -5V$, $R_L = 150\Omega$ to GND, $T_A = +25^\circ C$, unless otherwise noted.)

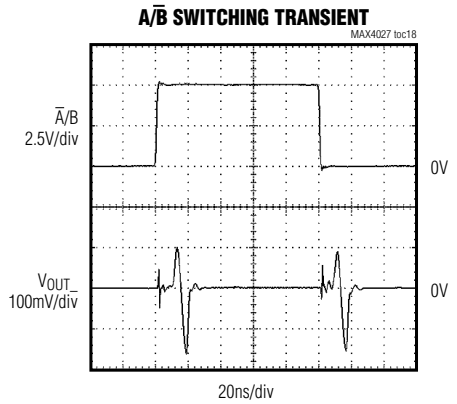
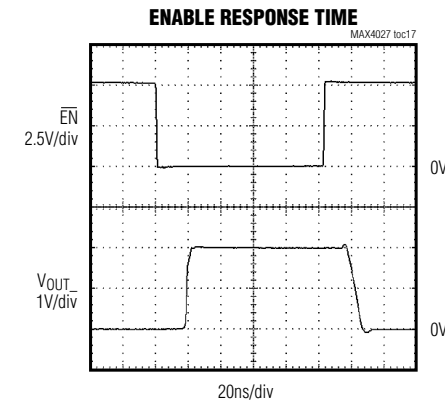
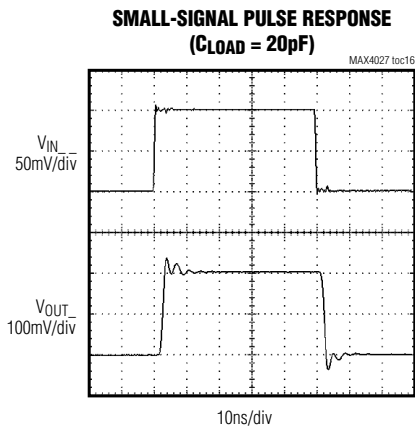
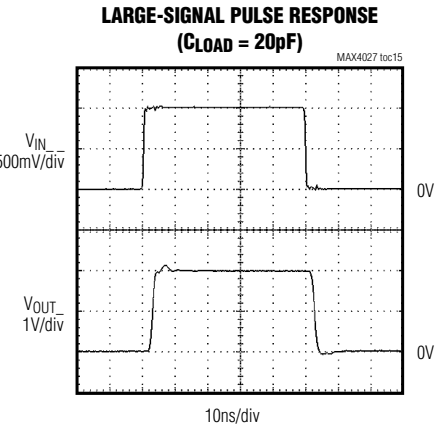
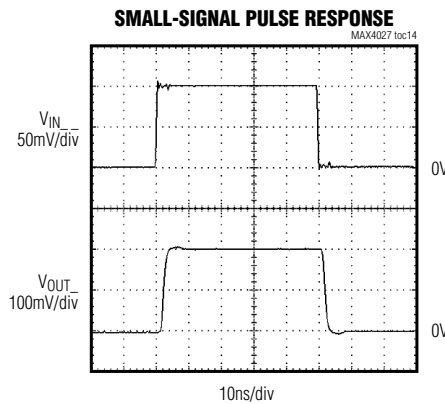
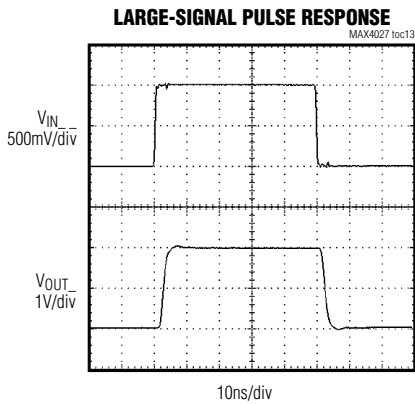
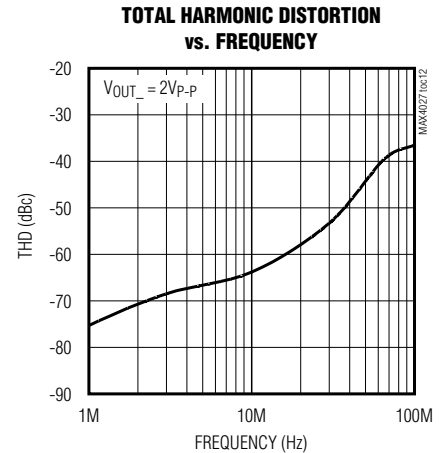
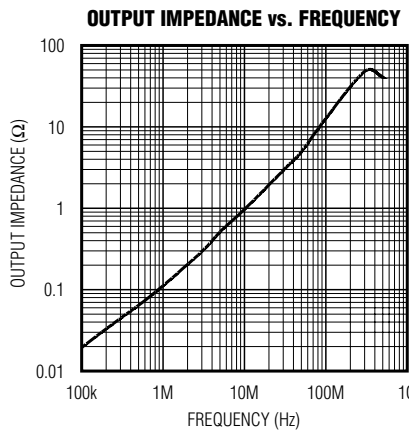
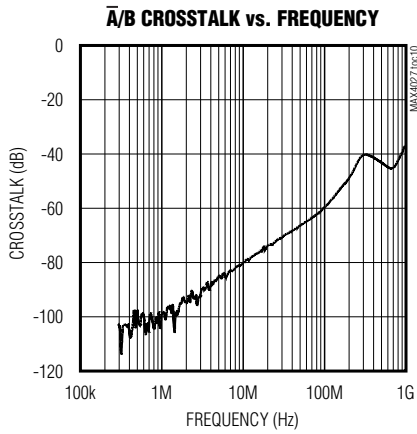


225MHz, Triple, 2-Channel Video Multiplexer-Amplifier

MAX4027

Typical Operating Characteristics (continued)

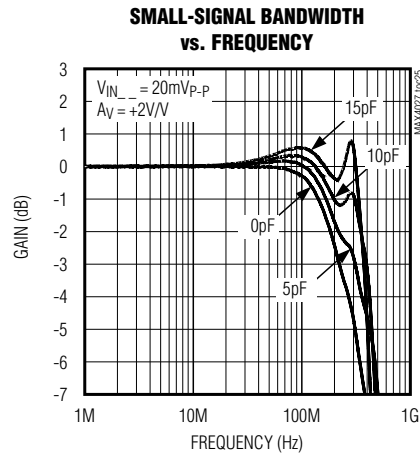
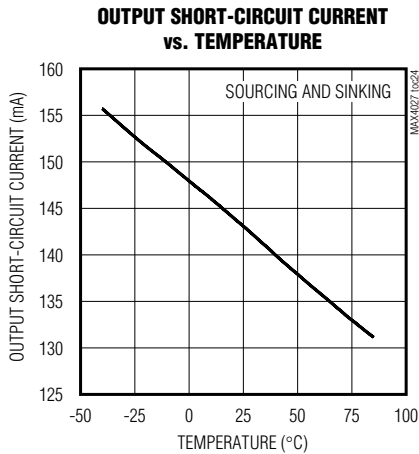
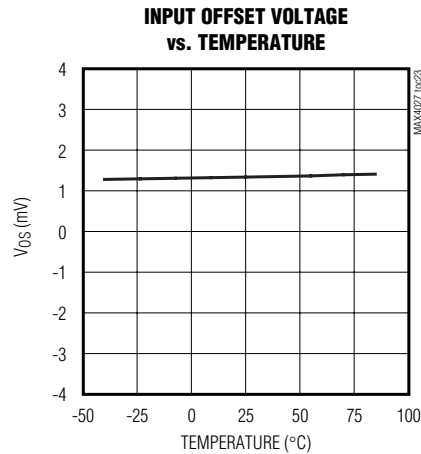
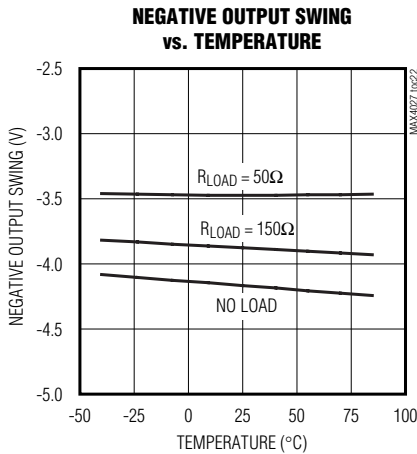
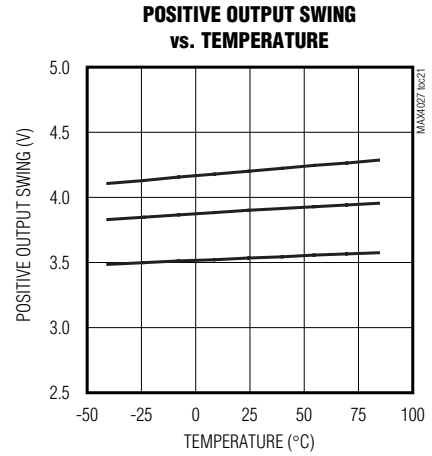
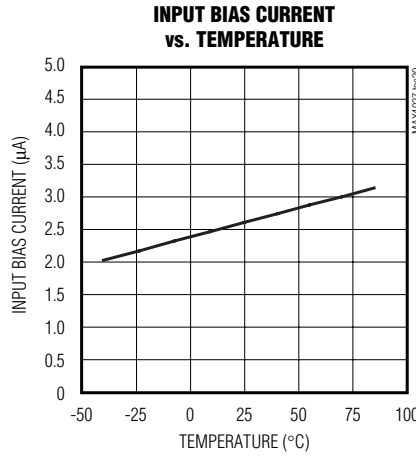
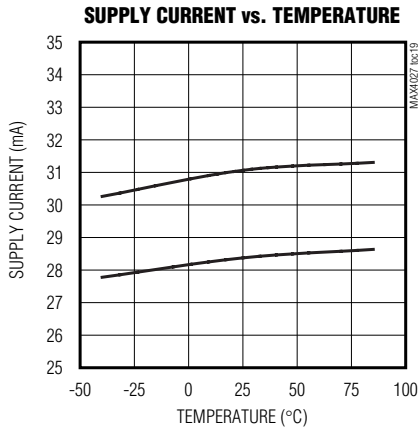
($V_{CC} = +5V$, $V_{EE} = -5V$, $R_L = 150\Omega$ to GND, $T_A = +25^\circ C$, unless otherwise noted.)



225MHz, Triple, 2-Channel Video Multiplexer-Amplifier

Typical Operating Characteristics (continued)

($V_{CC} = +5V$, $V_{EE} = -5V$, $R_L = 150\Omega$ to GND, $T_A = +25^\circ C$, unless otherwise noted.)



225MHz, Triple, 2-Channel Video Multiplexer-Amplifier

Pin Description

MAX4027

PIN	NAME	FUNCTION
1	IN1A	Amplifier 1 Channel A Input
2	IN2A	Amplifier 2 Channel A Input
3	IN3A	Amplifier 3 Channel A Input
4	GND	Power Supply, Analog and Digital Ground. Connect GND to ground plane for best RF performance.
5	IN1B	Amplifier 1 Channel B Input
6	IN2B	Amplifier 2 Channel B Input
7	IN3B	Amplifier 3 Channel B Input
8	\overline{EN}	Output Enable Logic Input. Drive \overline{EN} low or leave open for normal operation. Pull \overline{EN} high to disconnect amplifier output (output is high impedance when disabled). \overline{EN} is internally pulled to GND through a 17k Ω resistor.
9	OUT3	Amplifier Output 3
10	V_{EE}	Negative Power-Supply Voltage. Bypass V_{EE} to GND with a 0.1 μ F capacitor.
11	OUT2	Amplifier Output 2
12	V_{CC}	Positive Power-Supply Voltage. Bypass V_{CC} to GND with a 0.1 μ F capacitor.
13	OUT1	Amplifier Output 1
14	$\overline{A/B}$	Channel-Select Input. Drive $\overline{A/B}$ low or leave open to select channel A for all amplifiers. Pull $\overline{A/B}$ high to select channel B for all amplifiers. $\overline{A/B}$ is internally pulled to GND through a 17k Ω resistor.

Detailed Description

The MAX4027 combines three 2:1 multiplexers with +2V/V (+6dB) closed-loop gain (A_{VCL}) amplifiers. This low-power, high-speed device operates from $\pm 5V$ supplies, while driving up to two back-terminated video loads with very low distortion. Differential gain and phase errors are 0.012%/0.014° for the MAX4027.

The input multiplexers feature fast 15ns channel-switching times and small switching transients. The multiplexers also feature high input resistance and constant input capacitance, so overall input impedance can be set by external input-terminating resistors.

Drive \overline{EN} high to place the amplifier outputs in a high-impedance state, and minimize the supply current. This function allows use of multiple mux/amps in parallel to form large switching arrays.

The MAX4027 features an $\overline{A/B}$ input, which selects either channel A or B. Drive $\overline{A/B}$ low to select channel A or drive $\overline{A/B}$ high to select channel B. Channel A is automatically selected if $\overline{A/B}$ is left unconnected.

Truth Tables

Table 1. Input Control Logic

$\overline{A/B}$	AMPLIFIER INPUT	FUNCTION
0	IN_A	Channel A Selected
1	IN_B	Channel B Selected

Table 2. Output Control Logic

\overline{EN}	AMPLIFIER OUTPUT	FUNCTION
0	On	Outputs Enabled
1	Off	Outputs High Impedance

Applications Information

Disable Mode

Drive \overline{EN} high to place the MAX4027 in disable mode. Placing the device in disable mode reduces the quiescent current to 17mA (V_{CC}) and 15mA (V_{EE}) and places the amplifier outputs into a high-impedance state, typi-

225MHz, Triple, 2-Channel Video Multiplexer-Amplifier

cally $1.6k\Omega$. Parallel multiple devices to construct larger switch matrices by connecting the outputs of several devices together and disabling all but one of the paralleled amplifiers' outputs. Two internal 800Ω thin-film resistors set the MAX4027 to a fixed gain of +2. Consider the impedance of the internal feedback resistors when operating multiple MAX4027s in large multiplexer applications.

Drive \overline{EN} low for normal operation. \overline{EN} has internal pull-down circuitry. The MAX4027 is enabled when \overline{EN} is unconnected.

Video Line Driver

The MAX4027 is well suited to drive short coaxial transmission lines when the cable is terminated at both ends (Figure 1) where the fixed gain of +2 compensates for the loss in the back termination. Cable frequency response may cause variations in the flatness of the signal.

Input Voltage Range

The guaranteed input voltage range is $\pm 1.25V$. Exceeding this value can cause unpredictable results, including output clipping, excessive input current, and switching delays.

Multiplexer

The input multiplexer (mux) is controlled by a 3.3V TTL/CMOS-compatible control input (see the *Truth Tables*). Input capacitance is a constant, low 2pF and input resistance is $17k\Omega$ to GND for all input channels, regardless of whether or not the channel is selected. All logic levels (\overline{EN} and $\overline{A/B}$) default low if left unconnected.

Layout and Power-Supply Bypassing

The MAX4027 has an extremely high bandwidth and requires careful board layout. For best performance, use constant-impedance microstrip or stripline techniques.

To realize the full AC performance of these high-speed amplifiers, pay careful attention to power-supply bypassing and board layout. The PC board should have at least two layers: a signal and power layer on one side, and a large, low-impedance ground plane on the other side. The ground plane should be as free of voids as possible. With multilayer boards, locate the ground plane on an internal layer that incorporates no signal or power traces.

Observe the following guidelines when designing the board regardless of whether or not a constant-impedance board is used.

- 1) Do not use wire-wrap boards or breadboards.
- 2) Do not use IC sockets; they increase parasitic capacitance and inductance.
- 3) Keep lines as short and as straight as possible. Do not make 90° turns; round all corners.
- 4) Observe high-frequency bypassing techniques to maintain the amplifier's accuracy and stability.
- 5) Use surface-mount components. They generally have shorter bodies and lower parasitic reactance, yielding better high-frequency performance than through-hole components.

The bypass capacitors should include a $0.1\mu F$ ceramic surface-mount capacitor between each supply pin and the ground plane, located as close to the package as

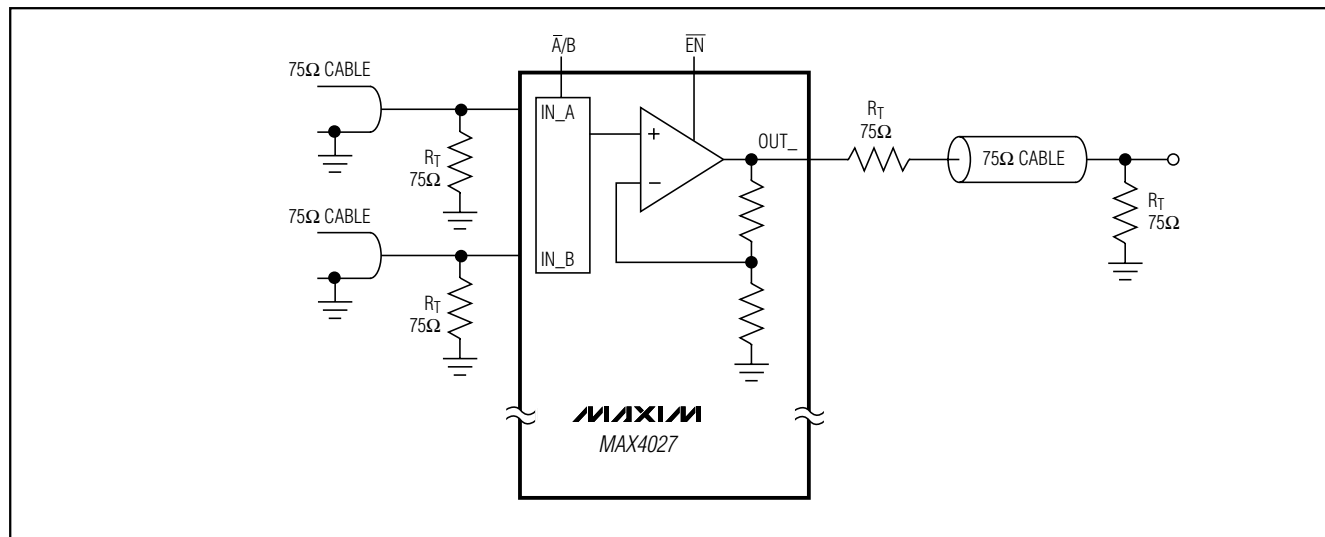


Figure 1. Video Line Driver

225MHz, Triple, 2-Channel Video Multiplexer-Amplifier

possible. Optionally, place a 10 μ F tantalum capacitor at the power-supply pins' points of entry to the PC board to ensure the integrity of incoming supplies. The power-supply trace should lead directly from the tantalum capacitor to the V_{CC} and V_{EE} pins.

Use surface-mount resistors for input termination and output back termination. Place the termination resistors as close to the IC as possible.

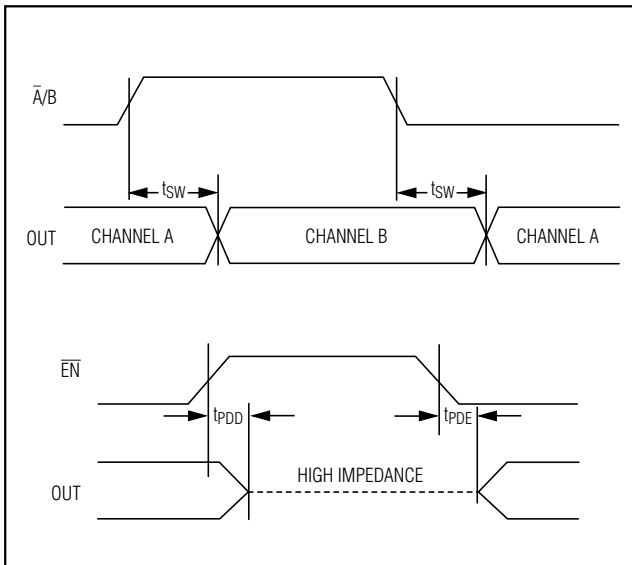
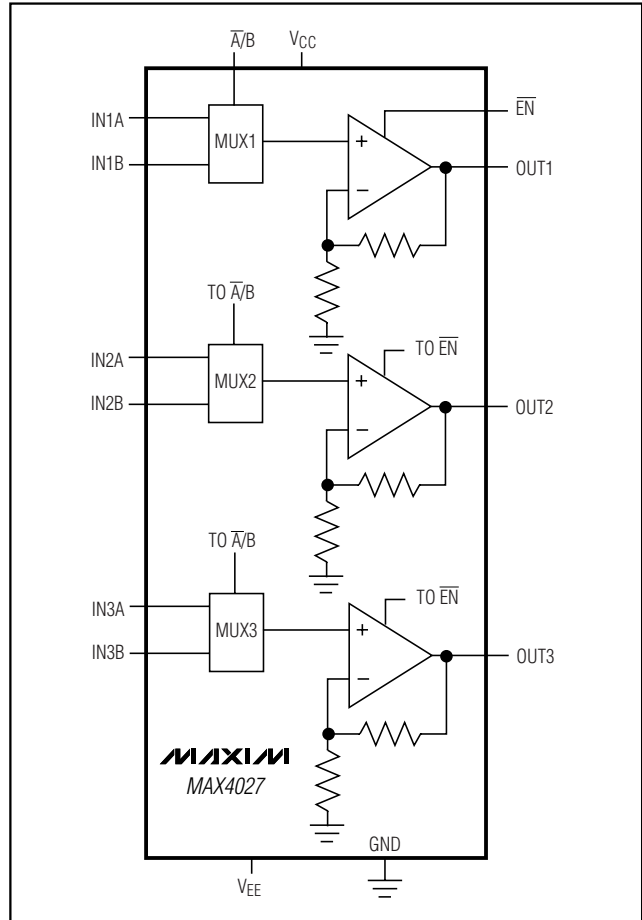


Figure 2. Switching Timing Diagram

Functional Diagram



MAX4027

Chip Information

TRANSISTOR COUNT: 870

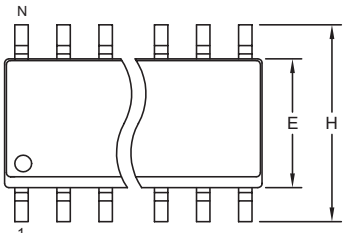
PROCESS: Bipolar

MAX4027

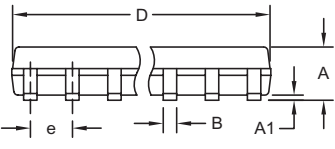
225MHz, Triple, 2-Channel Video Multiplexer-Amplifier

Package Information

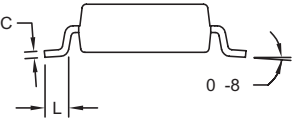
(The package drawing(s) in this data sheet may not reflect the most current specifications. For the latest package outline information go to www.maxim-ic.com/packages.)



TOP VIEW



FRONT VIEW



SIDE VIEW

DIM	INCHES		MILLIMETERS	
	MIN	MAX	MIN	MAX
A	0.053	0.069	1.35	1.75
A1	0.004	0.010	0.10	0.25
B	0.014	0.019	0.35	0.49
C	0.007	0.010	0.19	0.25
e	0.050 BSC		1.27 BSC	
E	0.150	0.157	3.80	4.00
H	0.228	0.244	5.80	6.20
L	0.016	0.050	0.40	1.27

VARIATIONS:

DIM	INCHES		MILLIMETERS		N	MS012
	MIN	MAX	MIN	MAX		
D	0.189	0.197	4.80	5.00	8	AA
D	0.337	0.344	8.55	8.75	14	AB
D	0.386	0.394	9.80	10.00	16	AC

NOTES:

1. D&E DO NOT INCLUDE MOLD FLASH.
2. MOLD FLASH OR PROTRUSIONS NOT TO EXCEED 0.15mm (.006").
3. LEADS TO BE COPLANAR WITHIN 0.10mm (.004").
4. CONTROLLING DIMENSION: MILLIMETERS.
5. MEETS JEDEC MS012.
6. N = NUMBER OF PINS.

PROPRIETARY INFORMATION	
TITLE:	
PACKAGE OUTLINE, .150" SOIC	
APPROVAL	DOCUMENT CONTROL NO.
	21-0041
REV.	1/1
	B

SOICN.EPS

225MHz, Triple, 2-Channel Video Multiplexer-Amplifier

Package Information (continued)

(The package drawing(s) in this data sheet may not reflect the most current specifications. For the latest package outline information go to www.maxim-ic.com/packages.)

MAX4027

TOP VIEW

BOTTOM VIEW

SIDE VIEW

END VIEW

DETAIL A

LEAD TIP DETAIL

SYMBOL	COMMON DIMENSIONS			
	MILLIMETERS		INCHES	
	MIN.	MAX.	MIN.	MAX.
A	—	1.10	—	.043
A ₁	0.05	0.15	.002	.006
A ₂	0.85	0.95	.033	.037
b	0.19	0.30	.007	.012
b ₁	0.19	0.25	.007	.010
c	0.09	0.20	.004	.008
c ₁	0.09	0.14	.004	.006
D	SEE VARIATIONS SEE VARIATIONS			
E	4.30	4.50	.169	.177
e	0.65 BSC		.026 BSC	
H	6.25	6.55	.246	.258
L	0.50	0.70	.020	.028
N	SEE VARIATIONS		SEE VARIATIONS	
α	0°	8°	0°	8°

JEDEC	N	VARIATIONS				
		MILLIMETERS		INCHES		
		MIN.	MAX.	MIN.	MAX.	
AB-1	14	D	4.90	5.10	.193	.201
AB	16	D	4.90	5.10	.193	.201
AC	20	D	6.40	6.60	.252	.260
AD	24	D	7.70	7.90	.303	.311
AE	28	D	9.60	9.80	.378	.386

NOTES:

1. DIMENSIONS D AND E DO NOT INCLUDE FLASH
2. MOLD FLASH OR PROTRUSIONS NOT TO EXCEED 0.15mm PER SIDE
3. CONTROLLING DIMENSION: MILLIMETER
4. MEETS JEDEC OUTLINE MO-153. SEE JEDEC VARIATIONS TABLE
5. 'N' REFERS TO NUMBER OF LEADS

△ THE LEAD TIPS MUST LIE WITHIN A SPECIFIED ZONE. THIS TOLERANCE ZONE IS DEFINED BY TWO PARALLEL PLANES. ONE PLANE IS THE SEATING PLANE, DATUM [-C-]; THE OTHER PLANE IS AT THE SPECIFIED DISTANCE FROM [-C-] IN THE DIRECTION INDICATED

DALLAS SEMICONDUCTOR **MAXIM**

PROPRIETARY INFORMATION

TITLE: PACKAGE OUTLINE, TSSOP 4.40mm BODY

APPROVAL	DOCUMENT CONTROL NO.	REV.	1/1
	21-0066	F	

Maxim cannot assume responsibility for use of any circuitry other than circuitry entirely embodied in a Maxim product. No circuit patent licenses are implied. Maxim reserves the right to change the circuitry and specifications without notice at any time.

Maxim Integrated Products, 120 San Gabriel Drive, Sunnyvale, CA 94086 408-737-7600 11

OUR CERTIFICATE

DiGi provide top-quality products and perfect service for customer worldwide through standardization, technological innovation and continuous improvement. DiGi through third-party certification, we stricly control the quality of products and services. Welcome your RFQ to

Email: Info@DiGi-Electronics.com



Tel: +00 852-30501935

RFQ Email: Info@DiGi-Electronics.com

DiGi is a global authorized distributor of electronic components.