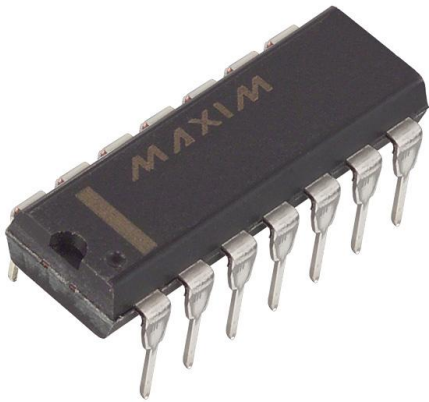


# MAX4614EPD Datasheet

[www.digi-electronics.com](http://www.digi-electronics.com)



<https://www.DiGi-Electronics.com>

DiGi Electronics Part Number	MAX4614EPD-DG
Manufacturer	<a href="#">Analog Devices Inc./Maxim Integrated</a>
Manufacturer Product Number	MAX4614EPD
Description	IC SWITCH SPST-NOX4 100HM 14DIP
Detailed Description	4 Circuit IC Switch 1:1 100hm 14-PDIP



Tel: +00 852-30501935

RFQ Email: [Info@DiGi-Electronics.com](mailto:Info@DiGi-Electronics.com)

DiGi is a global authorized distributor of electronic components.

## Purchase and inquiry

Manufacturer Product Number:

MAX4614EPD

Series:

-

Switch Circuit:

SPST - NO

Number of Circuits:

4

Channel-to-Channel Matching ( $\Delta R_{on}$ ):

200mOhm

Voltage - Supply, Dual ( $V_{\pm}$ ):

-

-3db Bandwidth:

70MHz

Channel Capacitance (CS(off), CD(off)):

5pF, 5pF

Crosstalk:

-96dB @ 100kHz

Mounting Type:

Through Hole

Supplier Device Package:

14-PDIP

Manufacturer:

Analog Devices Inc./Maxim Integrated

Product Status:

Obsolete

Multiplexer/Demultiplexer Circuit:

1:1

On-State Resistance (Max):

100Ohm

Voltage - Supply, Single ( $V_{+}$ ):

2V ~ 5.5V

Switch Time ( $T_{on}$ ,  $T_{off}$ ) (Max):

12ns, 10ns

Charge Injection:

6.5pC

Current - Leakage (IS(off)) (Max):

1nA

Operating Temperature:

-40°C ~ 85°C (TA)

Package / Case:

14-DIP (0.300", 7.62mm)

Base Product Number:

MAX4614

## Environmental & Export classification

RoHS Status:

RoHS non-compliant

REACH Status:

REACH Unaffected

HTSUS:

8542.39.0001

Moisture Sensitivity Level (MSL):

1 (Unlimited)

ECCN:

EAR99



Click [here](#) to ask an associate for production status of specific part numbers.

## Low-Voltage, High-Speed, Quad, SPST CMOS Analog Switches

## MAX4614/MAX4615/ MAX4616

### General Description

The MAX4614/MAX4615/MAX4616 quad, low-voltage, high-speed, single-pole/single-throw (SPST) analog switches are pin compatible with the industry-standard 74HC4066/MAX4610 analog switches. On-resistance ( $10\Omega$  max) is matched between switches to  $1\Omega$  max and is flat ( $1\Omega$  max) over the specified signal range. Each switch handles  $V+$  to GND analog signal levels. Maximum off-leakage current is only  $1\text{nA}$  at  $T_A = +25^\circ\text{C}$  and  $6\text{nA}$  at  $T_A = +85^\circ\text{C}$ .

The MAX4614 has four normally open (NO) switches, and the MAX4615 has four normally closed (NC) switches. The MAX4616 has two NO switches and two NC switches. These CMOS switches operate from a single  $+2\text{V}$  to  $+5.5\text{V}$  supply. All digital inputs have  $+0.8\text{V}$  and  $+2.4\text{V}$  logic thresholds, ensuring TTL/CMOS logic compatibility when using a single  $+5\text{V}$  supply.

### Applications

- Battery-Operated Equipment
- Audio/Video Signal Routing
- Low-Voltage Data-Acquisition Systems
- Sample-and-Hold Circuits
- Communication Circuits

### Features

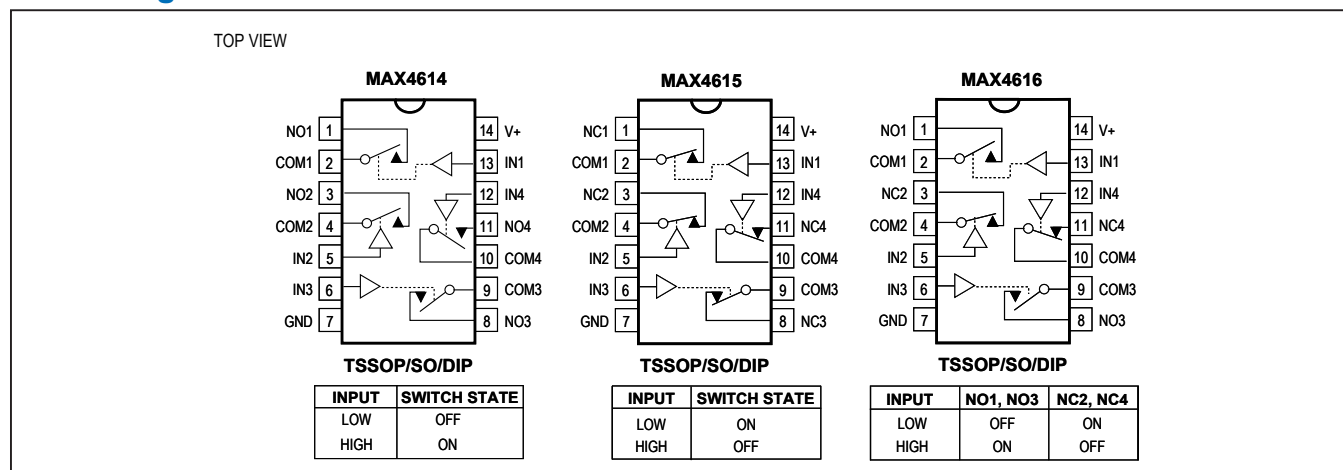
- Fast Switching Times
  - $12\text{ns}$   $t_{\text{ON}}$ ,  $10\text{ns}$   $t_{\text{OFF}}$
- Pin Compatible with Industry-Standard 74HC4066/MAX4610
- Guaranteed On-Resistance
  - $10\Omega$  max ( $+5\text{V}$  supply)
  - $20\Omega$  max ( $+3\text{V}$  supply)
- Guaranteed Match Between Channels ( $1\Omega$  max)
- Guaranteed Flatness Over Signal Range ( $1\Omega$  max)
- $<6\text{nA}$  Off-Leakage Current Over Temperature ( $T_A = +85^\circ\text{C}$ )
- Rail-to-Rail® Signal Handling
- TTL/CMOS-Logic Compatible

### Ordering Information

PART	TEMP. RANGE	PIN-PACKAGE
MAX4614CUD	$0^\circ\text{C}$ to $+70^\circ\text{C}$	14 TSSOP
MAX4614CSD	$0^\circ\text{C}$ to $+70^\circ\text{C}$	14 Narrow SO
MAX4614CPD	$0^\circ\text{C}$ to $+70^\circ\text{C}$	14 Plastic DIP
MAX4614EUD	$-40^\circ\text{C}$ to $+85^\circ\text{C}$	14 TSSOP
MAX4614ESD	$-40^\circ\text{C}$ to $+85^\circ\text{C}$	14 Narrow SO
MAX4614EPD	$-40^\circ\text{C}$ to $+85^\circ\text{C}$	14 Plastic DIP

Ordering Information continued at end of data sheet.

### Pin Configurations/Truth Tables



Rail-to-Rail is a registered trademark of Nippon Motorola, Ltd.

19-1501; Rev 2; 3/22

# MAX4614/MAX4615/ MAX4616

## Low-Voltage, High-Speed, Quad, SPST CMOS Analog Switches

### Absolute Maximum Ratings

(Voltages referenced to GND)

V+, IN_	-0.3V to +6V
COM_, NO_, NC_ (Note 1)	-0.3V to (V+ + 0.03V)
Continuous Current (any terminal)	±75mA
Peak Current (NO_, NC_, COM_) (pulsed at 1ms, 10% duty cycle)	±200mA

Continuous Power Dissipation (T<sub>A</sub> = +70°C)

14-Pin TSSOP (derate 6.3mW/°C above +70°C)	500mW
14-Pin Narrow SO (derate 8.00mW/°C above +70°C)	640mW
14-Pin Plastic DIP (derate 10.00mW/°C above +70°C)	800mW
Operating Temperature Ranges	
MAX461_C_	0°C to +70°C
MAX461_E_	-40°C to +85°C
Storage Temperature Range	-65°C to +150°C
Lead Temperature (soldering, 10sec)	+300°C

**Note 1:** Signals on NO\_, NC\_, or COM\_ exceeding V+ or GND are clamped by internal diodes. Limit forward-diode current to maximum current rating.

Stresses beyond those listed under "Absolute Maximum Ratings" may cause permanent damage to the device. These are stress ratings only, and functional operation of the device at these or any other conditions beyond those indicated in the operational sections of the specifications is not implied. Exposure to absolute maximum rating conditions for extended periods may affect device reliability.

### Electrical Characteristics—Single +5V Supply

(V+ = +5V ±10%, V<sub>IN\_H</sub> = 2.4V, V<sub>IN\_L</sub> = 0.8V, T<sub>A</sub> = T<sub>MIN</sub> to T<sub>MAX</sub>, unless otherwise noted.) (Note 2)

PARAMETER	SYMBOL	CONDITIONS	MIN	TYP	MAX	UNITS	
<b>ANALOG SWITCH</b>							
Analog Signal Range (Note 3)	V <sub>COM_</sub> , V <sub>NO_</sub> , V <sub>NC_</sub>		0		V+	V	
On-Resistance	R <sub>ON</sub>	V+ = 4.5V, I <sub>COM_</sub> = 10mA, V <sub>NO_</sub> = V <sub>NC_</sub> = 3V	T <sub>A</sub> = +25°C	8	10	Ω	
			T <sub>A</sub> = T <sub>MIN</sub> to T <sub>MAX</sub>		13		
On-Resistance Match Between Channels (Note 4)	ΔR <sub>ON</sub>	V+ = 4.5V, I <sub>COM_</sub> = 10mA, V <sub>NO_</sub> = V <sub>NC_</sub> = 3V	T <sub>A</sub> = +25°C	0.2	1	Ω	
			T <sub>A</sub> = T <sub>MIN</sub> to T <sub>MAX</sub>		1.2		
On-Resistance Flatness (Note 5)	R <sub>FLAT(ON)</sub>	V+ = 4.5V; I <sub>COM_</sub> = 10mA; V <sub>NO_</sub> = V <sub>NC_</sub> = 3V, 2V, 1V	T <sub>A</sub> = +25°C	0.3	1	Ω	
			T <sub>A</sub> = T <sub>MIN</sub> to T <sub>MAX</sub>		1.2		
NO_ or NC_ Off-Leakage Current (Note 6)	I <sub>NO(OFF)</sub>	V+ = 5.5V; V <sub>COM_</sub> = 1V, 4.5V; V <sub>NO_</sub> = 4.5V, 1V	T <sub>A</sub> = +25°C	-1	0.01	1	nA
			T <sub>A</sub> = T <sub>MIN</sub> to T <sub>MAX</sub>	-6		6	
COM_ Off-Leakage Current (Note 6)	I <sub>COM(OFF)</sub>	V+ = 5.5V; V <sub>COM_</sub> = 1V, 4.5V; V <sub>NO_</sub> = V <sub>NC_</sub> = 4.5V, 1V	T <sub>A</sub> = +25°C	-1	0.01	1	nA
			T <sub>A</sub> = T <sub>MIN</sub> to T <sub>MAX</sub>	-6		6	
COM_ On-Leakage Current (Note 6)	I <sub>COM(ON)</sub>	V+ = 5.5V; V <sub>COM_</sub> = 1V, 4.5V; V <sub>NO_</sub> = V <sub>NC_</sub> = 1V, 4.5V, or floating	T <sub>A</sub> = +25°C	-2	0.02	2	nA
			T <sub>A</sub> = T <sub>MIN</sub> to T <sub>MAX</sub>	-12		12	

## MAX4614/MAX4615/ MAX4616

## Low-Voltage, High-Speed, Quad, SPST CMOS Analog Switches

### Electrical Characteristics—Single +5V Supply (continued)

(V+ = +5V ±10%, V<sub>IN\_H</sub> = 2.4V, V<sub>IN\_L</sub> = 0.8V, T<sub>A</sub> = T<sub>MIN</sub> to T<sub>MAX</sub>, unless otherwise noted.) (Note 2)

PARAMETER	SYMBOL	CONDITIONS	MIN	TYP	MAX	UNITS
<b>LOGIC INPUT</b>						
Input Current with Input Voltage High	I <sub>IN_H</sub>	V <sub>IN_</sub> = 2.4V	-10	0.3	10	nA
Input Current with Input Voltage Low	I <sub>IN_L</sub>	V <sub>IN_</sub> = 0.8V	-10	0.3	10	nA
Input Voltage High	V <sub>IN_H</sub>		2.4			V
Input Voltage Low	V <sub>IN_L</sub>				0.8	V
<b>SWITCH DYNAMIC</b>						
Turn-On Time (Note 3)	t <sub>ON</sub>	V <sub>COM_</sub> = 3V, Figure 2	T <sub>A</sub> = +25°C	5	12	ns
			T <sub>A</sub> = T <sub>MIN</sub> to T <sub>MAX</sub>			
Turn-Off Time (Note 3)	t <sub>OFF</sub>	V <sub>COM_</sub> = 3V, Figure 2	T <sub>A</sub> = +25°C	2.5	10	ns
			T <sub>A</sub> = T <sub>MIN</sub> to T <sub>MAX</sub>			
On-Channel Bandwidth	BW	Signal = 0dBm, Figure 4, 50Ω in and out, T <sub>A</sub> = +25°C		70		MHz
Charge Injection	Q	Signal = 0dBm, Figure 4, 50Ω in and out, T <sub>A</sub> = +25°C		6.5		pC
Off-Isolation (Note 7)	V <sub>ISO</sub>	R <sub>L</sub> = 50Ω, f = 100kHz, Figure 4, T <sub>A</sub> = +25°C		-85		dB
Crosstalk (Note 8)	V <sub>CT</sub>	R <sub>L</sub> = 50Ω, f = 100kHz, Figure 5, T <sub>A</sub> = +25°C		-96		dB
NO_ or NC_ Capacitance	C <sub>(OFF)</sub>	f = 1MHz, Figure 6, T <sub>A</sub> = +25°C		5		pF
COM_ Off-Capacitance	C <sub>COM(OFF)</sub>	f = 1MHz, Figure 6, T <sub>A</sub> = +25°C		5		pF
COM_ On-Capacitance	C <sub>COM(ON)</sub>	f = 1MHz, Figure 6, T <sub>A</sub> = +25°C		11		pF
Total Harmonic Distortion	THD	600Ω IN and OUT, f = 20Hz to 20kHz, 2V <sub>P-P</sub> , T <sub>A</sub> = +25°C		0.034		%
<b>POWER SUPPLY</b>						
Power-Supply Range			2		5.5	V
Power-Supply Current	I+	V <sub>IN</sub> = 0 or V+, all switches on or off	-1	0.001	1	μA

# MAX4614/MAX4615/ MAX4616

## Low-Voltage, High-Speed, Quad, SPST CMOS Analog Switches

### Electrical Characteristics—Single +3.3V Supply

( $V_+ = +3.3V \pm 10\%$ ,  $V_{IN\_H} = 2.4V$ ,  $V_{IN\_L} = 0.5V$ ,  $T_A = T_{MIN}$  to  $T_{MAX}$ , unless otherwise noted.) (Note 2)

PARAMETER	SYMBOL	CONDITIONS	MIN	TYP	MAX	UNITS	
<b>ANALOG SWITCH</b>							
Analog Signal Range (Note 3)	$V_{COM\_}$ , $V_{NO\_}$ , $V_{NC\_}$		0		$V_+$	V	
On-Resistance	$R_{ON}$	$V_+ = 3V$ , $I_{NO} = 10mA$ , $V_{COM\_} = 1.5V$	$T_A = +25^\circ C$	8	20	$\Omega$	
			$T_A = T_{MIN}$ to $T_{MAX}$		25		
On-Resistance Match Between Channels (Note 4)	$\Delta R_{ON}$	$V_+ = 3V$ , $I_{COM\_} = 1mA$ , $V_{NO\_} = V_{NC\_} = 1.5V$	$T_A = +25^\circ C$	0.5	1.5	$\Omega$	
			$T_A = T_{MIN}$ to $T_{MAX}$		2		
NO_ or NC_ Off-Leakage Current (Notes 3, 6)	$I_{NO(OFF)}$	$V_+ = 3.6V$ ; $V_{COM\_} = 1V, 3V$ ; $V_{NO\_} = V_{NC\_} = 3V, 1V$	$T_A = +25^\circ C$	-1	0.002	1	nA
			$T_A = T_{MIN}$ to $T_{MAX}$	-10		10	
COM_ Off-Leakage Current (Notes 3, 6)	$I_{COM(OFF)}$	$V_+ = 3.6V$ ; $V_{COM\_} = 1V, 3V$ ; $V_{NO\_} = V_{NC\_} = 3V, 1V$	$T_A = +25^\circ C$	-1	0.002	1	nA
			$T_A = T_{MIN}$ to $T_{MAX}$	-10		10	
COM_ On-Leakage Current (Notes 3, 6)	$I_{COM(ON)}$	$V_+ = 3.6V$ ; $V_{COM\_} = 1V, 3V$ ; $V_{NO\_} = V_{NC\_} = 1V$ , 3V, or floating	$T_A = +25^\circ C$	-1	0.002	1	nA
			$T_A = T_{MIN}$ to $T_{MAX}$	-10		10	
<b>LOGIC INPUT</b>							
Input Current with Input Voltage High	$I_{IN\_H}$	$V_{IN\_} = 2V$	-10	0.003	10	nA	
Input Current with Input Voltage Low	$I_{IN\_L}$	$V_{IN\_} = 0.8V$	-10	0.003	10	nA	
Input Voltage High	$V_{IN\_H}$		2.0			V	
Input Voltage Low	$V_{IN\_L}$				0.8	V	
<b>SWITCH DYNAMIC (Note 3)</b>							
Turn-On Time	$t_{ON}$	$V_{COM\_} = 1.5V$ , Figure 2	$T_A = +25^\circ C$		6	15	ns
			$T_A = T_{MIN}$ to $T_{MAX}$			20	
Turn-Off Time	$t_{OFF}$	$V_{COM\_} = 1.5V$ , Figure 2	$T_A = +25^\circ C$		4	12	ns
			$T_A = T_{MIN}$ to $T_{MAX}$			15	
Charge Injection	Q	$C_L = 1nF$ , $V_{GEN} = 0$ , $R_{GEN} = 0$ , $T_A = +25^\circ C$		6.5		pC	
<b>POWER SUPPLY</b>							
Power-Supply Current	$I_+$	$V_+ = 3.6V$ , $V_{IN} = 0$ or $V_+$ , all channels on or off	-1	0.001	1	$\mu A$	

## MAX4614/MAX4615/ MAX4616

## Low-Voltage, High-Speed, Quad, SPST CMOS Analog Switches

### Electrical Characteristics—Single +2.5V Supply

(V+ = +2.5V, V<sub>INH</sub> = 0.7V<sub>CC</sub>, V<sub>INL</sub> = 0.5V, T<sub>A</sub> = T<sub>MIN</sub> to T<sub>MAX</sub>, unless otherwise noted.) (Note 2)

PARAMETER	SYMBOL	CONDITIONS		MIN	TYP	MAX	UNITS
<b>ANALOG SWITCH</b>							
Analog Signal Range (Note 3)	V <sub>COM_</sub> , V <sub>NO_</sub> , V <sub>NC_</sub>			0		V+	V
COM_ to NO_ or NC_ On-Resistance	R <sub>ON</sub>	V+ = 2.5V, I <sub>COM_</sub> = 10mA, V <sub>NO_</sub> = 1.2V	T <sub>A</sub> = +25°C		30	60	Ω
			T <sub>A</sub> = T <sub>MIN</sub> to T <sub>MAX</sub>			100	
<b>SWITCH DYNAMIC (Note 3)</b>							
Turn-On Time	t <sub>ON</sub>	V <sub>NO_</sub> or V <sub>NC_</sub> = 1V, T <sub>A</sub> = +25°C			6.5		ns
Turn-Off Time	t <sub>OFF</sub>	V <sub>NO_</sub> or V <sub>NC_</sub> = 1V, T <sub>A</sub> = +25°C			2.8		ns

**Note 2:** The algebraic convention, where the most negative value is a minimum and the most positive value a maximum, is used in this data sheet.

**Note 3:** Guaranteed by design.

**Note 4:**  $\Delta R_{ON} = R_{ON}(\text{max}) - R_{ON}(\text{min})$ .

**Note 5:** Flatness is defined as the difference between the maximum and minimum value of on-resistance as measured over the specified analog signal range.

**Note 6:** Leakage parameters are 100% tested at maximum-rated hot temperature and guaranteed by correlation at +25°C.

**Note 7:** Off-Isolation =  $20\log_{10}(V_{COM\_} / V_{NO\_})$ , V<sub>COM\_</sub> = output, V<sub>NO\_</sub> = input to off switch.

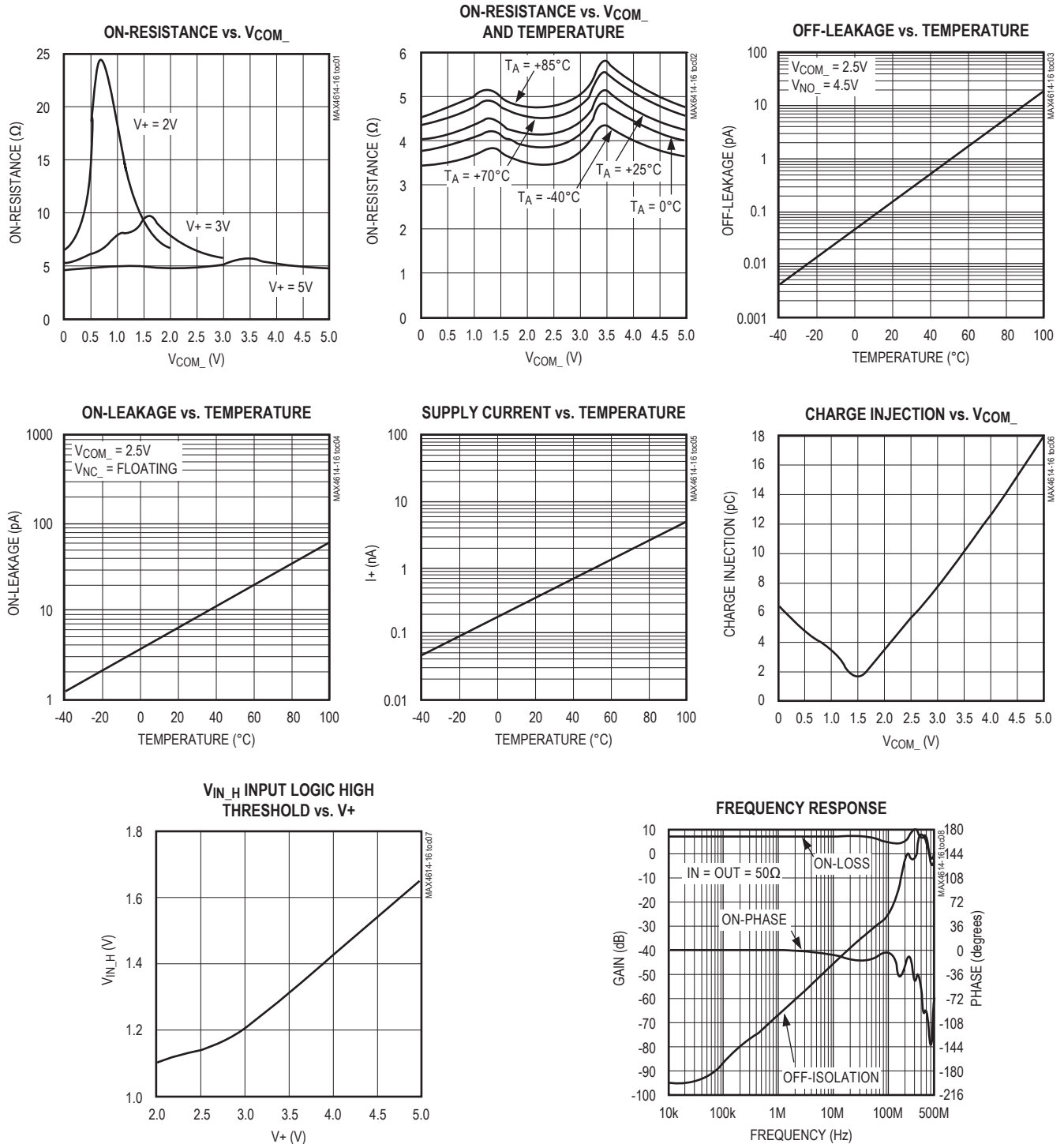
**Note 8:** Between any two switches.

# MAX4614/MAX4615/ MAX4616

# Low-Voltage, High-Speed, Quad, SPST CMOS Analog Switches

## Typical Operating Characteristics

(V+ = +5V, GND = 0, TA = +25°C, unless otherwise noted.)



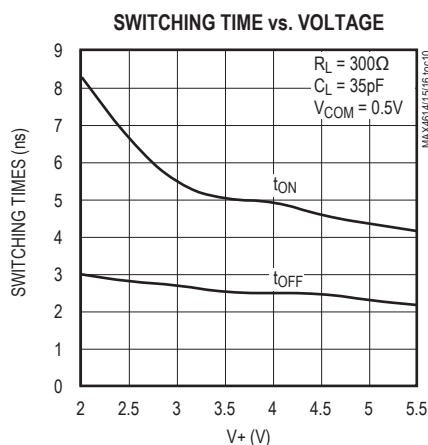
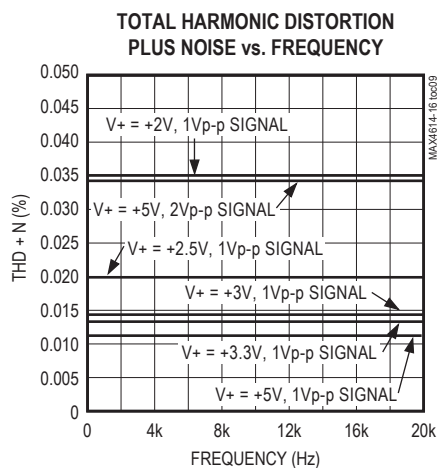


## MAX4614/MAX4615/ MAX4616

## Low-Voltage, High-Speed, Quad, SPST CMOS Analog Switches

### Typical Operating Characteristics (continued)

( $V_+ = +5V$ ,  $GND = 0$ ,  $T_A = +25^\circ C$ , unless otherwise noted.)



### Pin Description

PIN			NAME	FUNCTION
MAX4614	MAX4615	MAX4616		
1, 3, 8	—	1, 8	NO1–NO3	Analog Switch Normally Open Terminal (bidirectional)
—	1, 3, 8	—	NC1–NC3	Analog Switch Normally Closed Terminal (bidirectional)
—	—	3	NC2	Analog Switch Normally Closed Terminal (bidirectional)
2, 4, 9, 10	2, 4, 9, 10	2, 4, 9, 10	COM1–COM4	Analog Switch Common Terminal (bidirectional)
13, 5, 6, 12	13, 5, 6, 12	13, 5, 6, 12	IN1–IN4	Logic Control Inputs
7	7	7	GND	Ground
—	11	11	NC4	Analog Switch Normally Closed Terminal (bidirectional)
11	—	—	NO4	Analog Switch Normally Open Terminal (bidirectional)
14	14	14	$V_+$	Positive Supply Voltage

## MAX4614/MAX4615/ MAX4616

## Low-Voltage, High-Speed, Quad, SPST CMOS Analog Switches

### Applications Information

#### Power-Supply Sequencing and Overvoltage Protection

Do not exceed the absolute maximum ratings because stresses beyond the listed ratings may cause permanent damage to the devices.

Proper power-supply sequencing is recommended for all CMOS devices. Always apply V+ before applying analog signals or logic inputs, especially if the analog or logic signals are not current limited. If this sequencing is not possible, and if the analog or logic inputs are not current limited to 20mA, add a small-signal diode (D1) as shown in Figure 1. If the analog signal can dip below GND, add D2. Adding protection diodes reduces the analog signal range to a diode drop (about 0.7V) below V+ (for D1), and to a diode drop above ground (for D2). Leakage is unaffected by adding the diodes. On-resistance increases by a small amount at low supply voltages. Maximum supply voltage (V+) must not exceed 6V.

Adding protection diodes causes the logic thresholds to be shifted relative to the power-supply rails. This can be significant when low supply voltages (+5V or less) are used. With a +5V supply, TTL compatibility is not guaranteed when protection diodes are added. Driving IN1 and IN2 all the way to the supply rails (i.e., to a

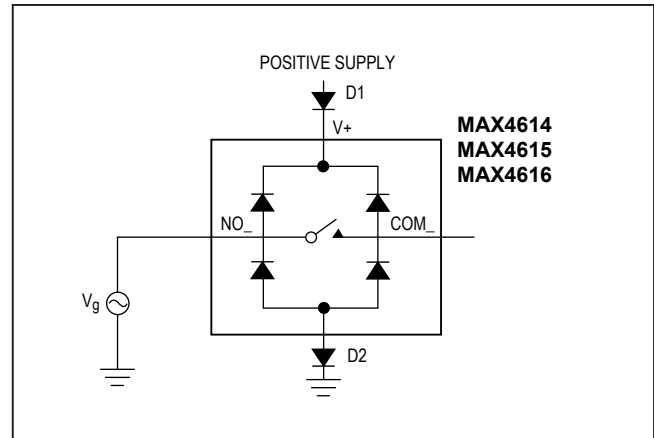


Figure 1. Overvoltage Protection Using Two External Blocking Diodes

diode drop higher than the V+ pin, or to a diode drop lower than the GND pin) is always acceptable.

Protection diodes D1 and D2 also protect against some overvoltage situations. With Figure 1's circuit, if the supply voltage is below the absolute maximum rating, and if a fault voltage up to the absolute maximum rating is applied to an analog signal pin, no damage will result.

### Test Circuits/Timing Diagrams

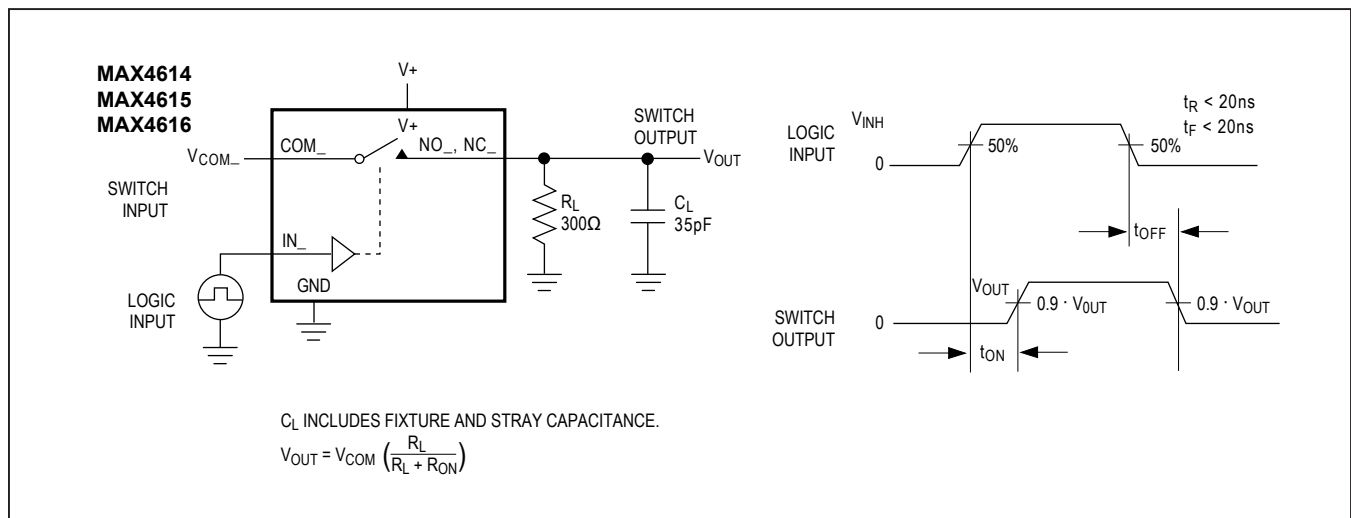


Figure 2. Switching Time

**MAX4614/MAX4615/  
MAX4616**

Low-Voltage, High-Speed, Quad,  
SPST CMOS Analog Switches

**Test Circuits/Timing Diagrams (continued)**

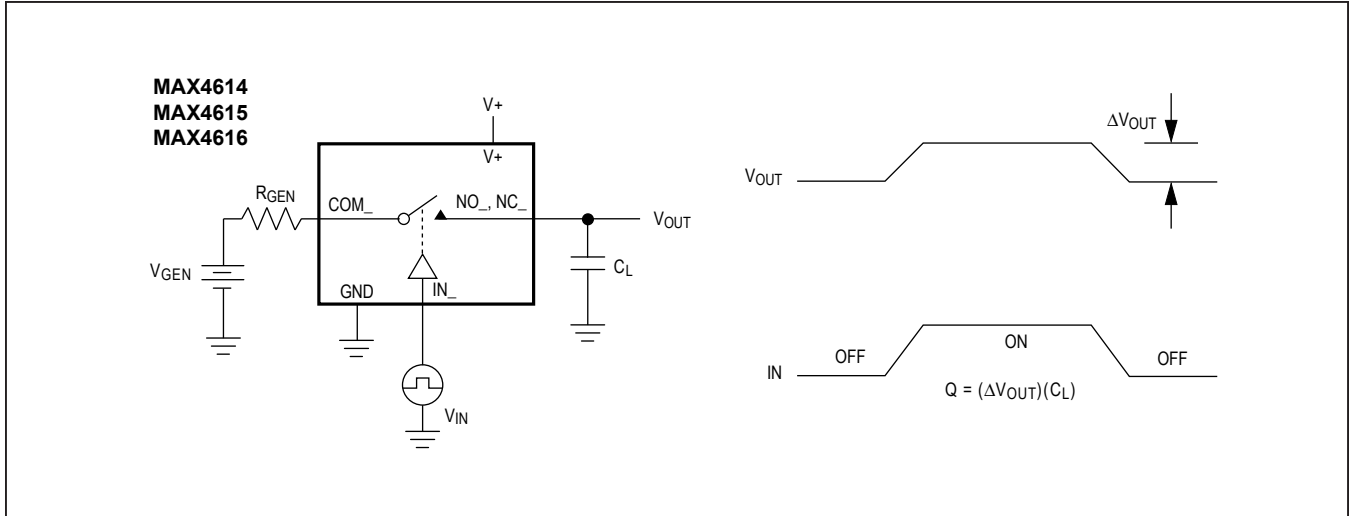


Figure 3. Charge Injection

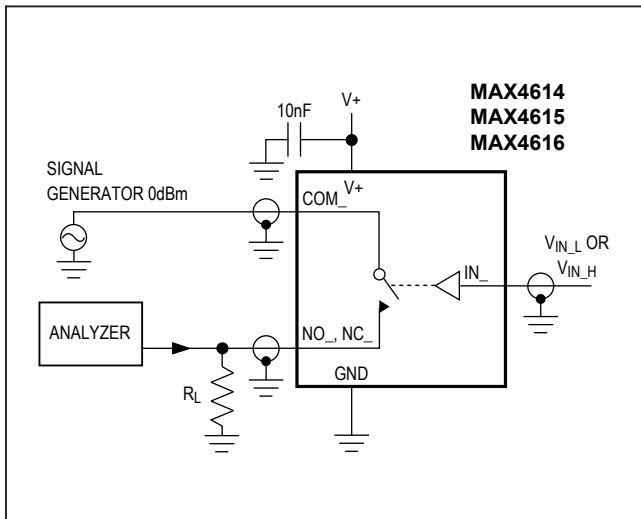


Figure 4. Off-Isolation/On-Channel Bandwidth

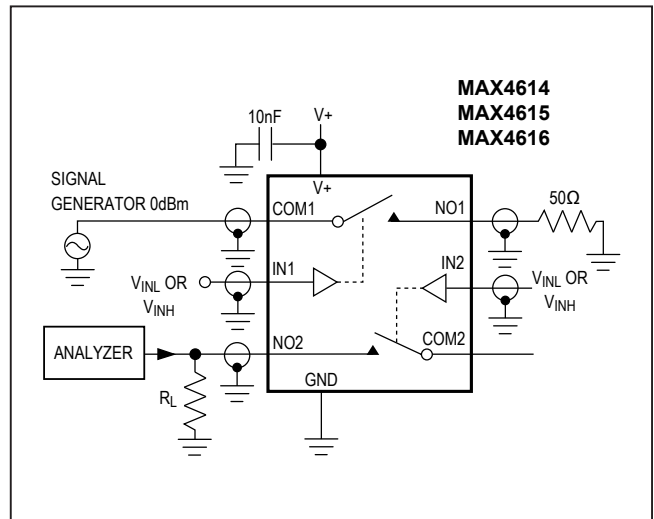


Figure 5. Crosstalk

## MAX4614/MAX4615/ MAX4616

Low-Voltage, High-Speed, Quad,  
SPST CMOS Analog Switches

### Test Circuits/Timing Diagrams (continued)

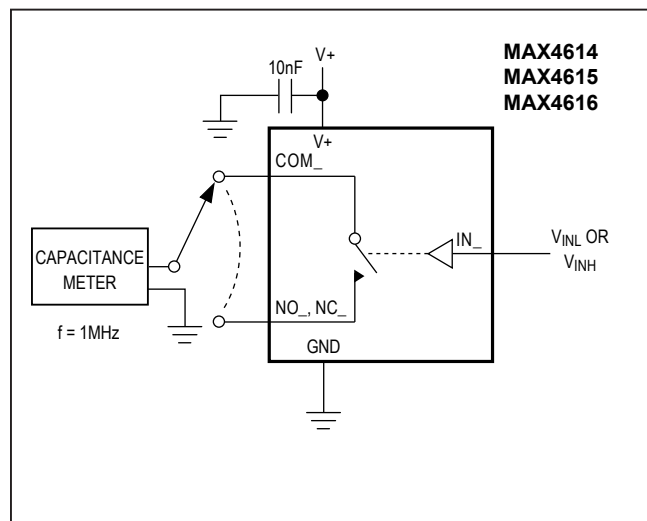


Figure 6. Channel Off/On-Capacitance

### Ordering Information (continued)

PART	TEMP. RANGE	PIN-PACKAGE
<b>MAX4615</b> CUD	0°C to +70°C	14 TSSOP
MAX4615CSD	0°C to +70°C	14 Narrow SO
MAX4615CPD	0°C to +70°C	14 Plastic DIP
MAX4615EUD	-40°C to +85°C	14 TSSOP
MAX4615ESD	-40°C to +85°C	14 Narrow SO
MAX4615EPD	-40°C to +85°C	14 Plastic DIP
<b>MAX4616</b> CUD	0°C to +70°C	14 TSSOP
MAX4616CSD	0°C to +70°C	14 Narrow SO
MAX4616CPD	0°C to +70°C	14 Plastic DIP
MAX4616EUD	-40°C to +85°C	14 TSSOP
MAX4616ESD	-40°C to +85°C	14 Narrow SO
MAX4616EPD	-40°C to +85°C	14 Plastic DIP

### Chip Information

TRANSISTOR COUNT: 89

# MAX4614/MAX4615/ MAX4616

## Low-Voltage, High-Speed, Quad, SPST CMOS Analog Switches

### Package Information

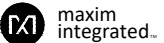
SYMBOL	COMMON DIMENSIONS			
	MILLIMETERS		INCHES	
	MIN.	MAX.	MIN.	MAX.
A	—	1.10	.043	
A <sub>1</sub>	0.05	0.15	.002	.006
A <sub>2</sub>	0.85	0.95	.033	.037
b	0.19	0.30	.007	.012
b <sub>1</sub>	0.19	0.25	.007	.010
c	0.09	0.20	.004	.008
c <sub>1</sub>	0.09	0.14	.004	.006
D	SEE VARIATIONS		SEE VARIATIONS	
E	4.30	4.50	.169	.177
e	0.65 BSC		.026 BSC	
H	6.25	6.55	.246	.258
L	0.50	0.70	.020	.028
N	SEE VARIATIONS		SEE VARIATIONS	
α	0°	8°	0°	8°
bbb	0.10 MAX			

JEDEC MD-153	N	SYMBOL	PKG. CODES	VARIATIONS			
				MILLIMETERS		INCHES	
				MIN.	MAX.	MIN.	MAX.
AB-1	14	D	U14+1, U14+2, U14+3, U14M+1 U14+4, U14+5C	4.90	5.10	.193	.201
AB	16	D	U16+1, U16+2, U16+1F, U16M+1 U16+5	4.90	5.10	.193	.201
AC	20	D	U20+1, U20+2, U20+3, U20+5, U20+1F, U20M+2 U20+7C	6.40	6.60	.252	.260
AD	24	D	U24+1, U24+2	7.70	7.90	.303	.311
AE	28	D	U28+1, U28+2, U28+3	9.60	9.80	.378	.386

**NOTES**

1. DIMENSIONS D AND E DO NOT INCLUDE FLASH
2. MOLD FLASH OR PROTRUSIONS NOT TO EXCEED 0.15mm PER SIDE
3. CONTROLLING DIMENSION: MILLIMETER
4. MEETS JEDEC OUTLINE MD-153. SEE JEDEC VARIATIONS TABLE
5. "N" REFERS TO NUMBER OF LEADS
6. LEAD COPLANARITY 0.10 MM MAX.
7. NUMBER OF LEADS SHOWN ARE FOR REFERENCE ONLY
8. MARKING IS FOR PACKAGE ORIENTATION REFERENCE ONLY
9. BENT LEAD 0.10 MM MAX.
10. MATERIAL MUST COMPLY WITH BANNED AND RESTRICTED SUBSTANCES SPEC # 10-0131.
11. ALL DIMENSIONS APPLY TO BOTH LEADED (-) AND PBFREE (+) PKG. CODES.

—DRAWING NOT TO SCALE—



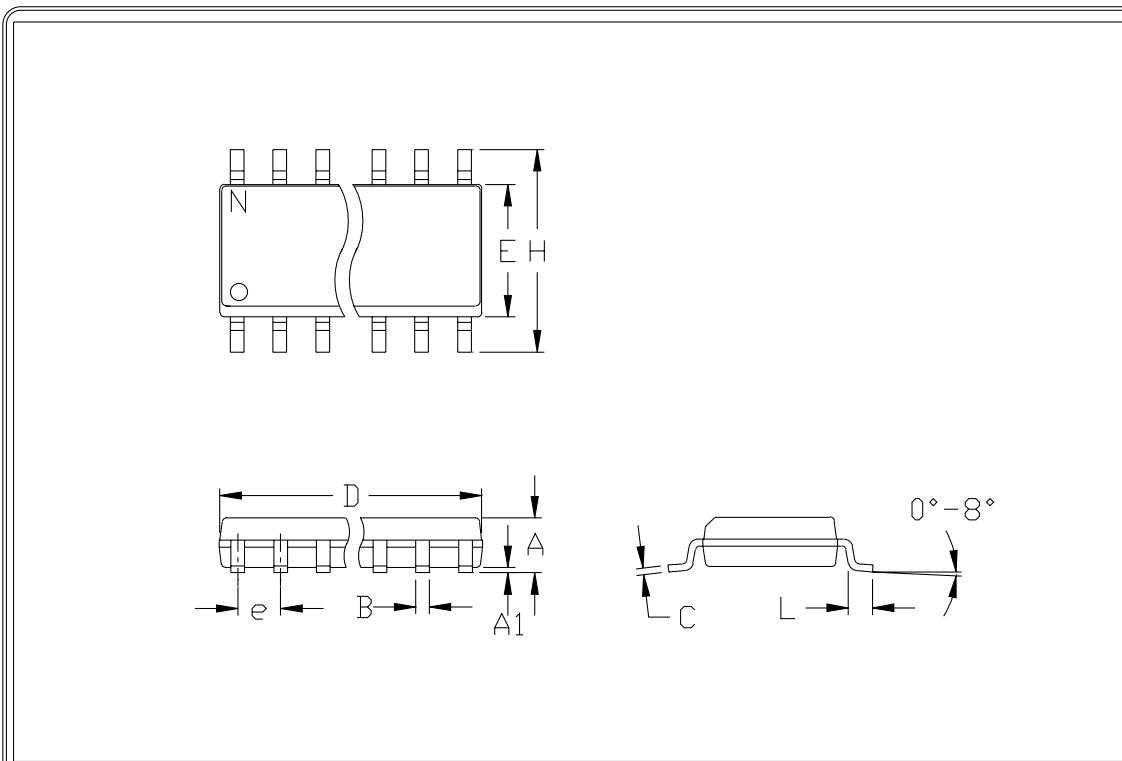
TITLE:  
PACKAGE OUTLINE,  
TSSOP 4.40mm BODY

APPROVAL	DOCUMENT CONTROL NO. 21-0066	REV. P	1/1
----------	---------------------------------	-----------	-----

**MAX4614/MAX4615/  
MAX4616**

**Low-Voltage, High-Speed, Quad,  
SPST CMOS Analog Switches**

**Package Information (continued)**



	INCHES		MILLIMETERS	
	MIN	MAX	MIN	MAX
A	0.053	0.069	1.35	1.75
A1	0.004	0.010	0.10	0.25
B	0.014	0.019	0.35	0.49
C	0.007	0.010	0.19	0.25
e	0.050		1.27	
E	0.150	0.157	3.80	4.00
H	0.228	0.244	5.80	6.20
h	0.010	0.020	0.25	0.50
L	0.016	0.050	0.40	1.27

	INCHES		MILLIMETERS		N	MS012
	MIN	MAX	MIN	MAX		
D	0.189	0.197	4.80	5.00	8	A
D	0.337	0.344	8.55	8.75	14	B
D	0.386	0.394	9.80	10.00	16	C

- NOTES:
1. D&E DO NOT INCLUDE MOLD FLASH
  2. MOLD FLASH OR PROTRUSIONS NOT TO EXCEED .15mm (.006")
  3. LEADS TO BE COPLANAR WITHIN .102mm (.004")
  4. CONTROLLING DIMENSION: MILLIMETER
  5. MEETS JEDEC MS012-XX AS SHOWN IN ABOVE TABLE
  6. N = NUMBER OF PINS

maxim integrated.  
120 SAN GABRIEL DR. SAN RAYMOND, CA 94086 FAX (408) 737 7194  
PROPRIETARY INFORMATION

PACKAGE FAMILY OUTLINE: SOIC .150"  
TITLE

1/1

21-0041 A  
DOCUMENT CONTROL NUMBER REV

**MAX4614/MAX4615/  
MAX4616**Low-Voltage, High-Speed, Quad,  
SPST CMOS Analog Switches**Revision History**

REVISION NUMBER	REVISION DATE	DESCRIPTION	PAGES CHANGED
0	7/99	Initial release	—
1	12/21	Updated <i>Package Information</i> diagram	11
2	3/22	Updated <i>Pin Description</i> table	7



*Information furnished by Analog Devices is believed to be accurate and reliable. However, no responsibility is assumed by Analog Devices for its use, nor for any infringements of patents or other rights of third parties that may result from its use. Specifications subject to change without notice. No license is granted by implication or otherwise under any patent or patent rights of Analog Devices. Trademarks and registered trademarks are the property of their respective owners.*

## OUR CERTIFICATE

DiGi provide top-quality products and perfect service for customer worldwide through standardization, technological innovation and continuous improvement. DiGi through third-party certification, we stricly control the quality of products and services. Welcome your RFQ to

Email: [Info@DiGi-Electronics.com](mailto:Info@DiGi-Electronics.com)



Tel: +00 852-30501935

RFQ Email: [Info@DiGi-Electronics.com](mailto:Info@DiGi-Electronics.com)

DiGi is a global authorized distributor of electronic components.