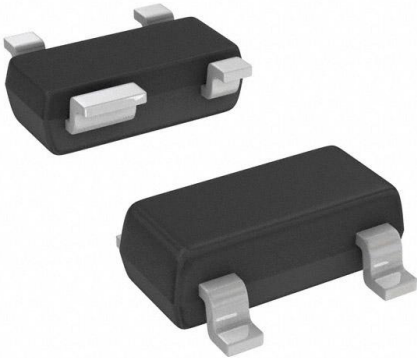


# MAX812REUS+T Datasheet

[www.digi-electronics.com](http://www.digi-electronics.com)



<https://www.DiGi-Electronics.com>

DiGi Electronics Part Number	MAX812REUS+T-DG
Manufacturer	<a href="#">Analog Devices Inc./Maxim Integrated</a>
Manufacturer Product Number	MAX812REUS+T
Description	IC VOLT MON W/RESET SOT143-4
Detailed Description	Supervisor Push-Pull, Totem Pole 1 Channel SOT-143-4



Tel: +00 852-30501935

RFQ Email: [Info@DiGi-Electronics.com](mailto:Info@DiGi-Electronics.com)

DiGi is a global authorized distributor of electronic components.

## Purchase and inquiry

Manufacturer Product Number:

MAX812REUS+T

Series:

-

DiGi-Electronics Programmable:

Not Verified

Number of Voltages Monitored:

1

Output:

Push-Pull, Totem Pole

Reset Timeout:

140ms Minimum

Mounting Type:

Surface Mount

Supplier Device Package:

SOT-143-4

Manufacturer:

Analog Devices Inc./Maxim Integrated

Product Status:

Active

Type:

Simple Reset/Power-On Reset

Voltage - Threshold:

2.63V

Reset:

Active High

Operating Temperature:

-40°C ~ 85°C (TA)

Package / Case:

TO-253-4, TO-253AA

Base Product Number:

MAX812

## Environmental & Export classification

RoHS Status:

ROHS3 Compliant

REACH Status:

REACH Unaffected

HTSUS:

8542.39.0001

Moisture Sensitivity Level (MSL):

1 (Unlimited)

ECCN:

EAR99



Click [here](#) for production status of specific part numbers.

## MAX811/MAX812

### General Description

The MAX811/MAX812 are low-power microprocessor ( $\mu\text{P}$ ) supervisory circuits used to monitor power supplies in  $\mu\text{P}$  and digital systems. They provide excellent circuit reliability and low cost by eliminating external components and adjustments when used with 5V-powered or 3V-powered circuits. The MAX811/MAX812 also provide a debounced manual reset input.

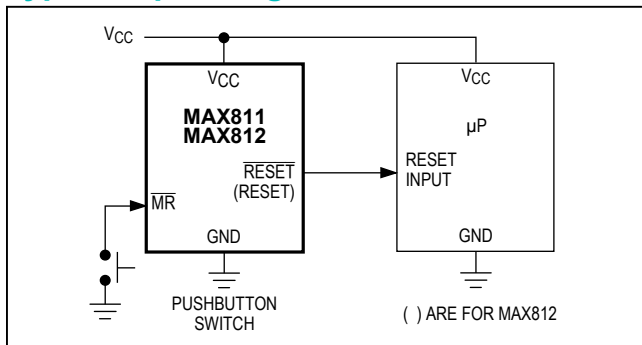
These devices perform a single function: They assert a reset signal whenever the  $V_{\text{CC}}$  supply voltage falls below a preset threshold, keeping it asserted for at least 140ms after  $V_{\text{CC}}$  has risen above the reset threshold. The only difference between the two devices is that the MAX811 has an active-low RESET output (which is guaranteed to be in the correct state for  $V_{\text{CC}}$  down to 1V), while the MAX812 has an active-high RESET output. The reset comparator is designed to ignore fast transients on  $V_{\text{CC}}$ . Reset thresholds are available for operation with a variety of supply voltages.

Low supply current makes the MAX811/MAX812 ideal for use in portable equipment. The devices come in a 4-pin SOT143 package.

### Applications

- Computers
- Controllers
- Intelligent Instruments
- Critical  $\mu\text{P}$  and  $\mu\text{C}$  Power Monitoring
- Portable/Battery-Powered Equipment

### Typical Operating Circuit



## 4-Pin $\mu\text{P}$ Voltage Monitors with Manual Reset Input

### Benefits and Features

- Integrated Voltage Monitor Increases System Robustness with Added Manual Reset
  - Precision Monitoring of 3V, 3.3V, and 5V Power-Supply Voltages
  - 140ms Min Power-On-Reset Pulse Width
    - $\overline{\text{RESET}}$  Output (MAX811), RESET Output (MAX812)
  - Guaranteed Over Temperature
  - Guaranteed  $\overline{\text{RESET}}$  Valid to  $V_{\text{CC}} = 1\text{V}$  (MAX811)
  - Power-Supply Transient Immunity
- Saves Board Space
  - No External Components
  - 4-Pin SOT143 Package
- Low Power Consumption Simplifies Power-Supply Requirements
  - 6 $\mu\text{A}$  Supply Current

### Ordering Information

PART*	TEMP RANGE	PIN-PACKAGE
MAX811_EUS-T	-40°C to +85°C	4 SOT143
MAX812_EUS-T	-40°C to +85°C	4 SOT143

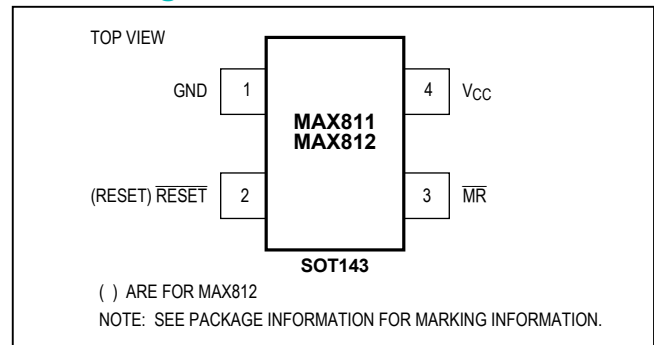
\*This part offers a choice of five different reset threshold voltages.

Select the letter corresponding to the desired nominal reset threshold voltage, and insert it into the blank to complete the part number.

Devices are available in both leaded and lead(Pb)-free packaging. Specify lead-free by replacing "-T" with "+T" when ordering.

RESET THRESHOLD	
SUFFIX	VOLTAGE (V)
L	4.63
M	4.38
T	3.08
S	2.93
R	2.63

### Pin Configuration



## MAX811/MAX812

4-Pin  $\mu$ P Voltage Monitors  
with Manual Reset Input

## Absolute Maximum Ratings

Terminal Voltage (with respect to GND)

$V_{CC}$ .....	-0.3V to 6.0V
All Other Inputs.....	-0.3V to ( $V_{CC} + 0.3V$ )
Input Current, $V_{CC}$ , $\overline{MR}$ .....	20mA
Output Current, RESET or $\overline{RESET}$ .....	20mA
Continuous Power Dissipation ( $T_A = +70^\circ\text{C}$ )	
SOT143 (derate 4mW/ $^\circ\text{C}$ above $+70^\circ\text{C}$ ).....	320mW

Operating Temperature Range.....	$-40^\circ\text{C}$ to $+85^\circ\text{C}$
Junction Temperature.....	$+150^\circ\text{C}$
Storage Temperature Range.....	$-65^\circ\text{C}$ to $+160^\circ\text{C}$
Lead Temperature (soldering, 10sec).....	$+300^\circ\text{C}$

Stresses beyond those listed under "Absolute Maximum Ratings" may cause permanent damage to the device. These are stress ratings only, and functional operation of the device at these or any other conditions beyond those indicated in the operational sections of the specifications is not implied. Exposure to absolute maximum rating conditions for extended periods may affect device reliability.

## Electrical Characteristics

( $V_{CC} = 5V$  for L/M versions,  $V_{CC} = 3.3V$  for T/S versions,  $V_{CC} = 3V$  for R version,  $T_A = -40^\circ\text{C}$  to  $+85^\circ\text{C}$ , unless otherwise noted.

Typical values are at  $T_A = +25^\circ\text{C}$ .) (Note 1)

PARAMETER	SYMBOL	CONDITIONS	MIN	TYP	MAX	UNITS			
Operating Voltage Range	$V_{CC}$	$T_A = 0^\circ\text{C}$ to $+70^\circ\text{C}$	1.0		5.5	V			
		$T_A = -40^\circ\text{C}$ to $+85^\circ\text{C}$	1.2						
Supply Current	$I_{CC}$	MAX81_L/M, $V_{CC} = 5.5V$ , $I_{OUT} = 0$		6	15	$\mu\text{A}$			
		MAX81_R/S/T, $V_{CC} = 3.6V$ , $I_{OUT} = 0$		2.7	10				
Reset Threshold	$V_{TH}$	MAX81_L	$T_A = +25^\circ\text{C}$	4.54	4.63	4.72	V		
			$T_A = -40^\circ\text{C}$ to $+85^\circ\text{C}$	4.50		4.75			
		MAX81_M	$T_A = +25^\circ\text{C}$	4.30	4.38	4.46			
			$T_A = -40^\circ\text{C}$ to $+85^\circ\text{C}$	4.25		4.50			
		MAX81_T	$T_A = +25^\circ\text{C}$	3.03	3.08	3.14			
			$T_A = -40^\circ\text{C}$ to $+85^\circ\text{C}$	3.00		3.15			
		MAX81_S	$T_A = +25^\circ\text{C}$	2.88	2.93	2.98			
			$T_A = -40^\circ\text{C}$ to $+85^\circ\text{C}$	2.85		3.00			
		MAX81_R	$T_A = +25^\circ\text{C}$	2.58	2.63	2.68			
			$T_A = -40^\circ\text{C}$ to $+85^\circ\text{C}$	2.55		2.70			
		Reset Threshold Tempco				30			ppm/ $^\circ\text{C}$
		$V_{CC}$ to Reset Delay (Note 2)		$V_{OD} = 125\text{mV}$ , MAX81_L/M		40			$\mu\text{s}$
$V_{OD} = 125\text{mV}$ , MAX81_R/S/T				20					
Reset Active Timeout Period	$t_{RP}$	$V_{CC} = V_{TH(\text{MAX})}$	140		560	ms			
$\overline{MR}$ Minimum Pulse Width	$t_{MR}$		10			$\mu\text{s}$			
$\overline{MR}$ Glitch Immunity (Note 3)				100		ns			
$\overline{MR}$ to Reset Propagation Delay (Note 2)	$t_{MD}$			0.5		$\mu\text{s}$			
$\overline{MR}$ Input Threshold	$V_{IH}$	$V_{CC} > V_{TH(\text{MAX})}$ , MAX81_L/M	2.3		0.8	V			
	$V_{IL}$								
	$V_{IH}$	$V_{CC} > V_{TH(\text{MAX})}$ , MAX81_R/S/T	$0.7 \times V_{CC}$						
	$V_{IL}$		$0.25 \times V_{CC}$						
$\overline{MR}$ Pull-Up Resistance			10	20	30	k $\Omega$			
RESET Output Voltage (MAX812)	$V_{OH}$	$I_{SOURCE} = 150\mu\text{A}$ , $1.8V < V_{CC} < V_{TH(\text{MIN})}$	$0.8 \times V_{CC}$		0.3	V			
	$V_{OL}$	MAX812R/S/T only, $I_{SINK} = 1.2\text{mA}$ , $V_{CC} = V_{TH(\text{MAX})}$							
	$V_{OL}$	MAX812L/M only, $I_{SINK} = 3.2\text{mA}$ , $V_{CC} = V_{TH(\text{MAX})}$			0.4				

## MAX811/MAX812

4-Pin  $\mu$ P Voltage Monitors  
with Manual Reset Input**Electrical Characteristics (continued)**

( $V_{CC} = 5V$  for L/M versions,  $V_{CC} = 3.3V$  for T/S versions,  $V_{CC} = 3V$  for R version,  $T_A = -40^\circ\text{C}$  to  $+85^\circ\text{C}$ , unless otherwise noted. Typical values are at  $T_A = +25^\circ\text{C}$ .) (Note 1)

PARAMETER	SYMBOL	CONDITIONS	MIN	TYP	MAX	UNITS
RESET Output Voltage (MAX811)	$V_{OL}$	MAX811R/S/T only, $I_{SINK} = 1.2\text{mA}$ , $V_{CC} = V_{TH(MIN)}$			0.3	V
		MAX811L/M only, $I_{SINK} = 3.2\text{mA}$ , $V_{CC} = V_{TH(MIN)}$			0.4	
		$I_{SINK} = 50\mu\text{A}$ , $V_{CC} > 1.0V$			0.3	
	$V_{OH}$	MAX811R/S/T only, $I_{SOURCE} = 500\mu\text{A}$ , $V_{CC} > V_{TH(MAX)}$	$0.8 \times V_{CC}$			
		MAX811L/M only, $I_{SOURCE} = 800\mu\text{A}$ , $V_{CC} > V_{TH(MAX)}$	$V_{CC} - 1.5$			

**Note 1:** Production testing done at  $T_A = +25^\circ\text{C}$ , over temperature limits guaranteed by design using six sigma design limits.

**Note 2:** RESET output for MAX811, RESET output for MAX812.

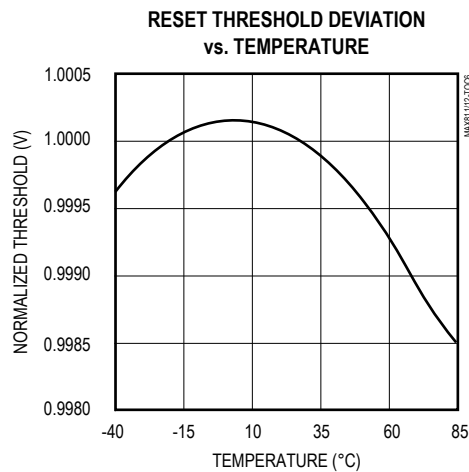
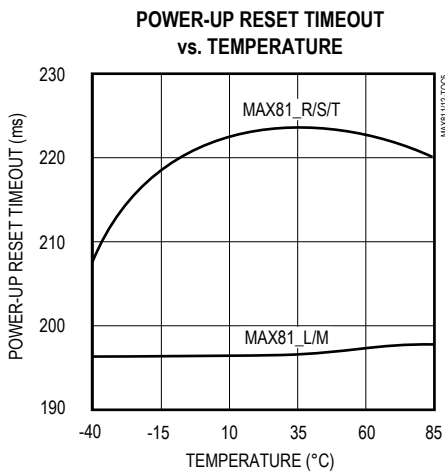
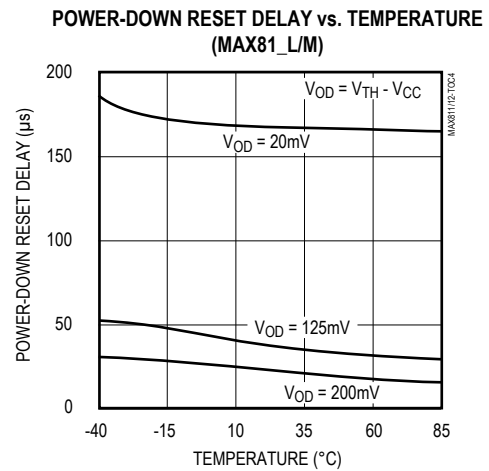
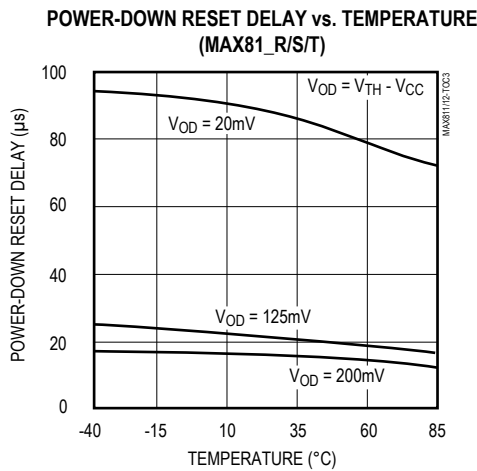
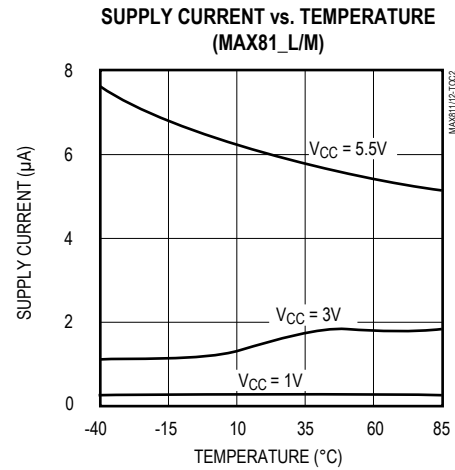
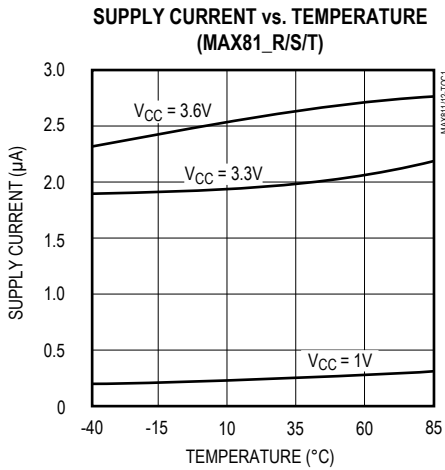
**Note 3:** "Glitches" of 100ns or less typically will not generate a reset pulse.

# MAX811/MAX812

# 4-Pin $\mu$ P Voltage Monitors with Manual Reset Input

## Typical Operating Characteristics

( $T_A = +25^\circ\text{C}$ , unless otherwise noted.)



## MAX811/MAX812

4-Pin  $\mu$ P Voltage Monitors  
with Manual Reset Input

## Pin Description

PIN		NAME	FUNCTION
MAX811	MAX812		
1	1	GND	Ground
2	—	$\overline{\text{RESET}}$	Active-Low Reset Output. $\overline{\text{RESET}}$ remains low while $V_{CC}$ is below the reset threshold or while $\overline{\text{MR}}$ is held low. $\overline{\text{RESET}}$ remains low for the Reset Active Timeout Period ( $t_{RP}$ ) after the reset conditions are terminated.
—	2	RESET	Active-High Reset Output. RESET remains high while $V_{CC}$ is below the reset threshold or while $\overline{\text{MR}}$ is held low. RESET remains high for Reset Active Timeout Period ( $t_{RP}$ ) after the reset conditions are terminated.
3	3	$\overline{\text{MR}}$	Manual Reset Input. A logic low on $\overline{\text{MR}}$ asserts reset. Reset remains asserted as long as $\overline{\text{MR}}$ is low and for 180ms after $\overline{\text{MR}}$ returns high. This active-low input has an internal 20k $\Omega$ pull-up resistor. It can be driven from a TTL or CMOS-logic line, or shorted to ground with a switch. Leave open if unused.
4	4	$V_{CC}$	+5V, +3.3V, or +3V Supply Voltage

## Detailed Description

## Reset Output

A microprocessor's ( $\mu$ P's) reset input starts the  $\mu$ P in a known state. These  $\mu$ P supervisory circuits assert reset to prevent code execution errors during power-up, power-down, or brownout conditions.

$\overline{\text{RESET}}$  is guaranteed to be a logic low for  $V_{CC} > 1V$ . Once  $V_{CC}$  exceeds the reset threshold, an internal timer keeps  $\overline{\text{RESET}}$  low for the reset timeout period; after this interval,  $\overline{\text{RESET}}$  goes high.

If a brownout condition occurs ( $V_{CC}$  dips below the reset threshold),  $\overline{\text{RESET}}$  goes low. Any time  $V_{CC}$  goes below the reset threshold, the internal timer resets to zero, and  $\overline{\text{RESET}}$  goes low. The internal timer starts after  $V_{CC}$  returns above the reset threshold, and  $\overline{\text{RESET}}$  remains low for the reset timeout period.

The manual reset input ( $\overline{\text{MR}}$ ) can also initiate a reset. See the *Manual Reset Input* section.

The MAX812 has an active-high RESET output that is the inverse of the MAX811's  $\overline{\text{RESET}}$  output.

## Manual Reset Input

Many  $\mu$ P-based products require manual reset capability, allowing the operator, a test technician, or external logic circuitry to initiate a reset. A logic low on  $\overline{\text{MR}}$  asserts reset. Reset remains asserted while  $\overline{\text{MR}}$  is low, and for the Reset Active Timeout Period ( $t_{RP}$ ) after  $\overline{\text{MR}}$  returns high. This input has an internal 20k $\Omega$  pull-up resistor, so it can be left open if it is not used.  $\overline{\text{MR}}$  can be driven with TTL or CMOS-logic levels, or with open-drain/collector outputs. Connect a normally open momentary switch from  $\overline{\text{MR}}$  to GND to create a manual-reset function; external debounce circuitry is not required. If  $\overline{\text{MR}}$  is driven from long cables or if the device is used in a noisy environment, connecting a 0.1 $\mu$ F capacitor from  $\overline{\text{MR}}$  to ground provides additional noise immunity.

## Reset Threshold Accuracy

The MAX811/MAX812 are ideal for systems using a 5V  $\pm 5\%$  or 3V  $\pm 5\%$  power supply with ICs specified for 5V  $\pm 10\%$  or 3V  $\pm 10\%$ , respectively. They are designed to meet worst-case specifications over temperature. The reset is guaranteed to assert after the power supply falls out of regulation, but before power drops below the minimum specified operating voltage range for the system ICs. The thresholds are pre-trimmed and exhibit tight distribution, reducing the range over which an undesirable reset may occur.

## MAX811/MAX812

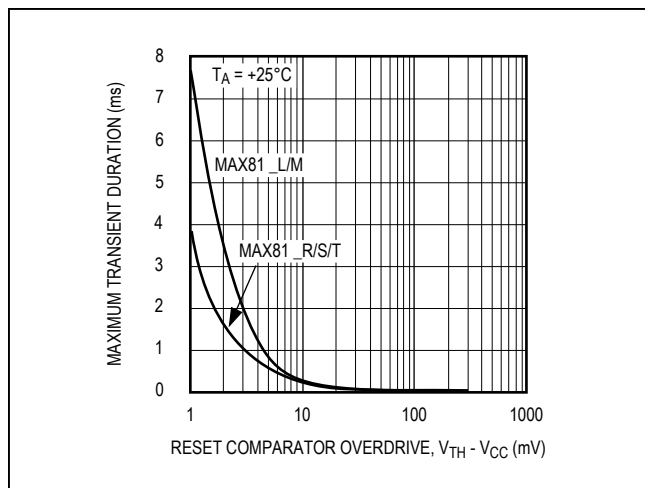
4-Pin  $\mu$ P Voltage Monitors  
with Manual Reset Input

Figure 1. Maximum Transient Duration without Causing a Reset Pulse vs. Comparator Overdrive

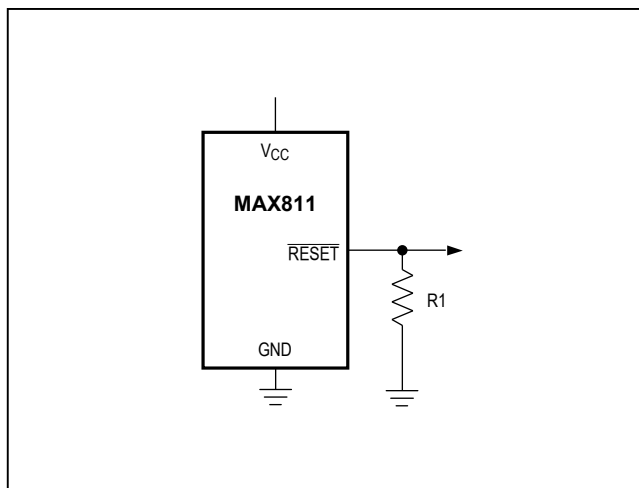


Figure 2.  $\overline{\text{RESET}}$  Valid to  $V_{CC} = \text{Ground}$  Circuit

## Applications Information

### Negative-Going $V_{CC}$ Transients

In addition to issuing a reset to the  $\mu$ P during power-up, power-down, and brownout conditions, the MAX811/MAX812 are relatively immune to short duration negative-going  $V_{CC}$  transients (glitches).

Figure 1 shows typical transient durations vs. reset comparator overdrive, for which the MAX811/MAX812 do not generate a reset pulse. This graph was generated using a negative-going pulse applied to  $V_{CC}$ , starting above the actual reset threshold and ending below it by the magnitude indicated (reset comparator overdrive). The graph indicates the typical maximum pulse width a negative-going  $V_{CC}$  transient may have without causing a reset pulse to be issued. As the magnitude of the transient increases (goes farther below the reset threshold), the maximum allowable pulse width decreases. Typically, a  $V_{CC}$  transient that goes 125mV below the reset threshold and lasts 40 $\mu$ s or less (MAX81\_L/M) or 20 $\mu$ s or less (MAX81\_T/S/R) will not cause a reset pulse to be issued. A 0.1 $\mu$ F capacitor mounted as close as possible to  $V_{CC}$  provides additional transient immunity.

### Ensuring a Valid $\overline{\text{RESET}}$ Output Down to $V_{CC} = 0\text{V}$

When  $V_{CC}$  falls below 1V, the MAX811  $\overline{\text{RESET}}$  output no longer sinks current—it becomes an open circuit. Therefore, high-impedance CMOS-logic inputs connected to the  $\overline{\text{RESET}}$  output can drift to undetermined voltages. This presents no problem in most applications, since most  $\mu$ P and other circuitry is inoperative with  $V_{CC}$  below 1V. However, in applications where the  $\overline{\text{RESET}}$  output must be valid down to 0V, adding a pull-down resistor to the  $\overline{\text{RESET}}$  pin will cause any stray leakage currents to flow to ground, holding  $\overline{\text{RESET}}$  low (Figure 2). R1's value is not critical; 100k $\Omega$  is large enough not to load  $\overline{\text{RESET}}$  and small enough to pull  $\overline{\text{RESET}}$  to ground.

A 100k $\Omega$  pull-up resistor to  $V_{CC}$  is also recommended for the MAX812 if RESET is required to remain valid for  $V_{CC} < 1\text{V}$ .



## MAX811/MAX812

4-Pin  $\mu$ P Voltage Monitors  
with Manual Reset Input**Interfacing to  $\mu$ Ps with  
Bidirectional Reset Pins**

$\mu$ Ps with bidirectional reset pins (such as the Motorola 68HC11 series) can contend with the MAX811/MAX812 reset outputs. If, for example, the MAX811  $\overline{\text{RESET}}$  output is asserted high and the  $\mu$ P wants to pull it low, indeterminate logic levels may result. To correct such cases, connect a 4.7k $\Omega$  resistor between the MAX811  $\overline{\text{RESET}}$  (or MAX812  $\overline{\text{RESET}}$ ) output and the  $\mu$ P reset I/O (Figure 3). Buffer the reset output to other system components.

**Chip Information**

TRANSISTOR COUNT: 341

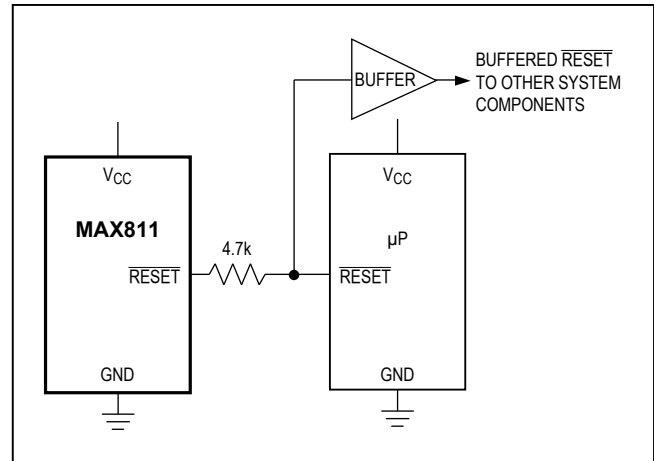


Figure 3. Interfacing to  $\mu$ Ps with Bidirectional Reset I/O

MAX811/MAX812

4-Pin  $\mu$ P Voltage Monitors  
with Manual Reset Input

### Package Information

For the latest package outline information and land patterns (footprints), go to [www.maximintegrated.com/packages](http://www.maximintegrated.com/packages). Note that a "+", "#", or "-" in the package code indicates RoHS status only. Package drawings may show a different suffix character, but the drawing pertains to the package regardless of RoHS status.

PACKAGE TYPE	PACKAGE CODE	OUTLINE NO.	LAND PATTERN NO.
4 SOT143	U4+1	<a href="#">21-0052</a>	<a href="#">90-0183</a>

MAX811/MAX812

4-Pin  $\mu$ P Voltage Monitors  
with Manual Reset Input

## Revision History

REVISION NUMBER	REVISION DATE	DESCRIPTION	PAGES CHANGED
5	6/15	Updated <i>Benefits and Features</i> and <i>Package Information</i> sections	1, 8
6	5/18	Updated <i>Absolute Maximum Ratings</i>	2

For pricing, delivery, and ordering information, please visit Maxim Integrated's online storefront at <https://www.maximintegrated.com/en/storefront/storefront.html>.

Maxim Integrated cannot assume responsibility for use of any circuitry other than circuitry entirely embodied in a Maxim Integrated product. No circuit patent licenses are implied. Maxim Integrated reserves the right to change the circuitry and specifications without notice at any time. The parametric values (min and max limits) shown in the Electrical Characteristics table are guaranteed. Other parametric values quoted in this data sheet are provided for guidance.

## OUR CERTIFICATE

DiGi provide top-quality products and perfect service for customer worldwide through standardization, technological innovation and continuous improvement. DiGi through third-party certification, we stricly control the quality of products and services. Welcome your RFQ to

Email: [Info@DiGi-Electronics.com](mailto:Info@DiGi-Electronics.com)



Tel: +00 852-30501935

RFQ Email: [Info@DiGi-Electronics.com](mailto:Info@DiGi-Electronics.com)

DiGi is a global authorized distributor of electronic components.