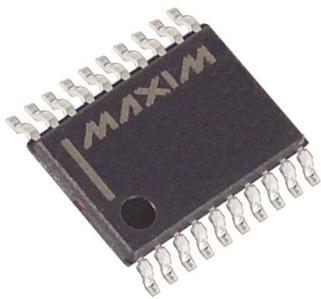


MAX9315EUP+ Datasheet

www.digi-electronics.com



<https://www.DiGi-Electronics.com>

DiGi Electronics Part Number	MAX9315EUP+-DG
Manufacturer	Analog Devices Inc./Maxim Integrated
Manufacturer Product Number	MAX9315EUP+
Description	IC CLK BUFFER 2:5 1.5GHZ 20TSSOP
Detailed Description	Clock Fanout Buffer (Distribution), Multiplexer, Data IC 2:5 1.5 GHz 20-TSSOP (0.173", 4.40mm Width)



Tel: +00 852-30501935

RFQ Email: Info@DiGi-Electronics.com

DiGi is a global authorized distributor of electronic components.

Purchase and inquiry

Manufacturer Product Number:

MAX9315EUP+

Series:

-

Type:

Fanout Buffer (Distribution), Multiplexer, Data

Ratio - Input:Output:

2:5

Input:

HSTL, LVECL, LVPECL

Frequency - Max:

1.5 GHz

Operating Temperature:

-40°C ~ 85°C

Package / Case:

20-TSSOP (0.173", 4.40mm Width)

Base Product Number:

MAX9315

Manufacturer:

Analog Devices Inc./Maxim Integrated

Product Status:

Active

Number of Circuits:

1

Differential - Input:Output:

Yes/Yes

Output:

LVECL, LVPECL

Voltage - Supply:

2.25V ~ 3.8V

Mounting Type:

Surface Mount

Supplier Device Package:

20-TSSOP

Environmental & Export classification

RoHS Status:

ROHS3 Compliant

REACH Status:

REACH Unaffected

HTSUS:

8542.39.0001

Moisture Sensitivity Level (MSL):

1 (Unlimited)

ECCN:

EAR99

19-2220: Rev 1: 11/04



1:5 Differential LVPECL/LVECL/HSTL Clock and Data Driver

MAX9315

General Description

The MAX9315 low-skew, 1-to-5 differential driver is designed for clock and data distribution. This device allows selection between two inputs. The selected input is reproduced at five differential outputs. The differential inputs can be adapted to accept a single-ended input by connecting the on-chip V_{BB} supply to one input as a reference voltage.

The MAX9315 features low output-to-output skew (20ps), making it ideal for clock and data distribution across a backplane or a board. For interfacing to differential HSTL and LVPECL signals, this device operates over a +2.375V to +3.8V supply range, allowing high-performance clock or data distribution in systems with a nominal +2.5V or +3.3V supply. For differential LVECL operation, this device operates with a -2.375V to -3.8V supply.

The MAX9315 is offered in a space-saving 20-pin TSSOP package.

Features

- ◆ +2.375V to +3.8V Supply for Differential HSTL/LVPECL Operation
- ◆ -2.375V to -3.8V Supply for Differential LVECL Operation
- ◆ Two Selectable Differential Inputs
- ◆ Synchronous Output Enable/Disable
- ◆ 20ps Output-to-Output Skew
- ◆ 360ps Propagation Delay
- ◆ Guaranteed 400mV Differential Output at 1.5GHz
- ◆ On-Chip Reference for Single-Ended Inputs
- ◆ Input Biased Low when Left Open
- ◆ Pin Compatible with MC100LVEP14

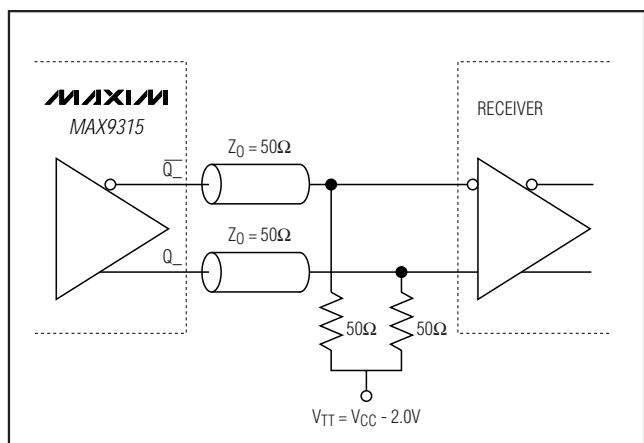
Applications

- Precision Clock Distribution
- Low-Jitter Data Repeater
- Data and Clock Driver and Buffer
- Central Office Backplane Clock Distribution
- DSLAM Backplane
- Base Station
- ATE

Ordering Information

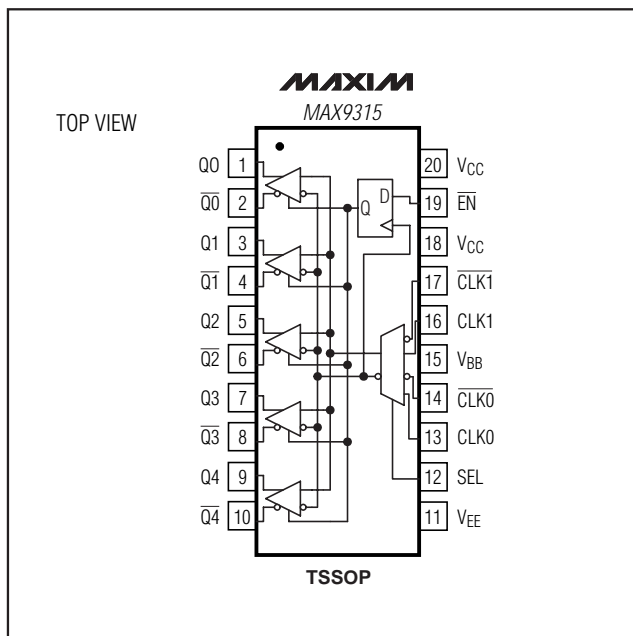
PART	TEMP RANGE	PIN-PACKAGE
MAX9315EUP	-40°C to +85°C	20 TSSOP

Typical Application Circuit



Functional Diagram appears at end of data sheet.

Pin Configuration



For pricing, delivery, and ordering information, please contact Maxim/Dallas Direct! at 1-888-629-4642, or visit Maxim's website at www.maxim-ic.com.

1:5 Differential LVPECL/LVECL/HSTL Clock and Data Driver

MAX9315

ABSOLUTE MAXIMUM RATINGS

$V_{CC} - V_{EE}$	4.1V
Inputs (CLK ₋ , CLK ₋ , SEL, EN) to V_{EE}	($V_{EE} - 0.3V$) to ($V_{CC} + 0.3V$)
CLK ₋ to CLK ₋	$\pm 3.0V$
Continuous Output Current.....	50mA
Surge Output Current.....	100mA
V_{BB} Sink/Source Current.....	$\pm 0.65mA$
Continuous Power Dissipation ($T_A = +70^\circ C$)	
Single-Layer PC Board	
20-Pin TSSOP (derate 7.69mW/ $^\circ C$ above $+70^\circ C$).....	615mW
Multilayer PC Board	
20-Pin TSSOP (derate 10.9mW/ $^\circ C$ above $+70^\circ C$).....	879mW
Junction-to-Ambient Thermal Resistance in Still Air	
Single-Layer PC Board	
20-Pin TSSOP.....	$+130^\circ C/W$

Multilayer PC Board	
20-Pin TSSOP.....	$+91^\circ C/W$
Junction-to-Ambient Thermal Resistance with 500LFPM	
Airflow Single-Layer PC Board	
20-Pin TSSOP.....	$+9.6^\circ C/W$
Junction-to-Case Thermal Resistance	
20-Pin TSSOP.....	$+20^\circ C/W$
Operating Temperature Range.....	$-40^\circ C$ to $+85^\circ C$
Junction Temperature.....	$+150^\circ C$
Storage Temperature Range.....	$-65^\circ C$ to $+150^\circ C$
ESD Protection	
Human Body Model (Inputs and Outputs).....	$\geq 2kV$
Soldering Temperature (10s).....	$+300^\circ C$

Stresses beyond those listed under "Absolute Maximum Ratings" may cause permanent damage to the device. These are stress ratings only, and functional operation of the device at these or any other conditions beyond those indicated in the operational sections of the specifications is not implied. Exposure to absolute maximum rating conditions for extended periods may affect device reliability.

DC ELECTRICAL CHARACTERISTICS

($V_{CC} - V_{EE} = 2.375V$ to $3.8V$, outputs loaded with $50\Omega \pm 1\%$ to $V_{CC} - 2V$, SEL = high or low, $\overline{EN} =$ low, unless otherwise noted. Typical values are at $V_{CC} - V_{EE} = +3.3V$, $V_{IH} = V_{CC} - 1V$, $V_{ILD} = V_{CC} - 1.5V$.) (Notes 1, 2, 3)

PARAMETER	SYMBOL	CONDITIONS	$-40^\circ C$			$+25^\circ C$			$+85^\circ C$			UNITS
			MIN	TYP	MAX	MIN	TYP	MAX	MIN	TYP	MAX	
SINGLE-ENDED INPUTS (SEL, EN)												
Input High Voltage	V_{IH}		$V_{CC} - 1.225$	V_{CC}	$V_{CC} - 1.225$	V_{CC}	$V_{CC} - 1.225$	V_{CC}	$V_{CC} - 1.225$	V_{CC}	V	
Input Low Voltage	V_{IL}		V_{EE}	$V_{CC} - 1.625$	V_{EE}	$V_{CC} - 1.625$	V_{EE}	$V_{CC} - 1.625$	V_{EE}	$V_{CC} - 1.625$	V	
Input Current	I_{IN}	$V_{IH}(MAX), V_{IL}(MIN)$	-500	500	-500	500	-500	500	-500	500	μA	
DIFFERENTIAL INPUTS (CLK₋, CLK₋)												
Single-Ended Input High Voltage (Note 4)	V_{IH}	V_{BB} connected to CLK ₋ , Figure 1	$V_{CC} - 1.225$	V_{CC}	$V_{CC} - 1.225$	V_{CC}	$V_{CC} - 1.225$	V_{CC}	$V_{CC} - 1.225$	V_{CC}	V	
Single-Ended Input Low Voltage (Note 4)	V_{IL}	V_{BB} connected to CLK ₋ , Figure 1	V_{EE}	$V_{CC} - 1.625$	V_{EE}	$V_{CC} - 1.625$	V_{EE}	$V_{CC} - 1.625$	V_{EE}	$V_{CC} - 1.625$	V	
High Voltage of Differential Input	V_{IHD}		$V_{EE} + 1.2$	V_{CC}	$V_{EE} + 1.2$	V_{CC}	$V_{EE} + 1.2$	V_{CC}	$V_{EE} + 1.2$	V_{CC}	V	
Low Voltage of Differential Input	V_{ILD}		V_{EE}	$V_{CC} - 0.1$	V_{EE}	$V_{CC} - 0.1$	V_{EE}	$V_{CC} - 0.1$	V_{EE}	$V_{CC} - 0.1$	V	

1:5 Differential LVPECL/LVECL/HSTL Clock and Data Driver

MAX9315

DC ELECTRICAL CHARACTERISTICS (continued)

($V_{CC} - V_{EE} = 2.375V$ to $3.8V$, outputs loaded with $50\Omega \pm 1\%$ to $V_{CC} - 2V$, SEL = high or low, $\overline{EN} =$ low, unless otherwise noted. Typical values are at $V_{CC} - V_{EE} = +3.3V$, $V_{IHD} = V_{CC} - 1V$, $V_{ILD} = V_{CC} - 1.5V$.) (Notes 1, 2, 3)

PARAMETER	SYMBOL	CONDITIONS	-40°C			+25°C			+85°C			UNITS
			MIN	TYP	MAX	MIN	TYP	MAX	MIN	TYP	MAX	
Differential Input Voltage	$V_{IHD} - V_{ILD}$	For $(V_{CC} - V_{EE}) < +3.0V$	0.1		$V_{CC} - V_{EE}$	0.1		$V_{CC} - V_{EE}$	0.1		$V_{CC} - V_{EE}$	V
		For $(V_{CC} - V_{EE}) \geq +3.0V$	0.1		3.0	0.1		3.0	0.1		3.0	
Input Current	I_{IN}	$V_{IH}, V_{IL}, V_{IHD}, V_{ILD}$	-150		150	-150		150	-150		150	μA
OUTPUTS (Q_+, \overline{Q}_+)												
Single-Ended Output High Voltage	V_{OH}	Figure 1	$V_{CC} - 1.145$		$V_{CC} - 0.865$	$V_{CC} - 1.145$		$V_{CC} - 0.865$	$V_{CC} - 1.145$		$V_{CC} - 0.865$	V
Single-Ended Output Low Voltage	V_{OL}	Figure 1	$V_{CC} - 1.945$		$V_{CC} - 1.695$	$V_{CC} - 1.945$		$V_{CC} - 1.695$	$V_{CC} - 1.945$		$V_{CC} - 1.695$	V
Differential Output Voltage	$V_{OH} - V_{OL}$	Figure 1	550		910	550		910	550		910	mV
REFERENCE												
Reference Voltage Output (Note 5)	V_{BB}	$I_{BB} = \pm 0.5mA$	$V_{CC} - 1.525$		$V_{CC} - 1.325$	$V_{CC} - 1.525$		$V_{CC} - 1.325$	$V_{CC} - 1.525$		$V_{CC} - 1.325$	V
SUPPLY												
Supply Current (Note 6)	I_{EE}			41	48		45	55		49	65	mA

1:5 Differential LVPECL/LVECL/HSTL Clock and Data Driver

MAX9315

AC ELECTRICAL CHARACTERISTICS

($V_{CC} - V_{EE} = 2.375V$ to $3.8V$, outputs loaded with $50\Omega \pm 1\%$ to $V_{CC} - 2V$, input frequency = $1.5GHz$, input transition time = $125ps$ (20% to 80%), SEL = high or low, $\overline{EN} =$ low, $V_{IHD} = V_{EE} + 1.2V$ to V_{CC} , $V_{ILD} = V_{EE}$ to $V_{CC} - 0.15V$, $V_{IHD} - V_{ILD} = 0.15V$ to the smaller of $3V$ or $V_{CC} - V_{EE}$, unless otherwise noted. Typical values are at $V_{CC} - V_{EE} = +3.3V$, $V_{IHD} = V_{CC} - 1V$, $V_{ILD} = V_{CC} - 1.5V$.) (Notes 1, 7)

PARAMETER	SYMBOL	CONDITIONS	-40°C			+25°C			+85°C			UNITS
			MIN	TYP	MAX	MIN	TYP	MAX	MIN	TYP	MAX	
Differential Input-to-Output Delay	t_{PLHD} , t_{PHLD}	Figure 2	290		400	310		440	300		520	ps
Output-to-Output Skew (Note 8)	t_{SKOO}			5	30		20	40		20	50	ps
Part-to-Part Skew (Note 9)	t_{SKPP}				110			130			220	ps
Added Random Jitter (Note 10)	t_{RJ}	$f_{IN} = 1.5GHz$ clock		0.8	1.2		0.8	1.2		0.8	1.2	ps (RMS)
Added Deterministic Jitter (Note 10)	t_{DJ}	1.5Gbps 2E ²³ -1 PRBS pattern		50	70		50	70		50	70	ps (p-p)
Switching Frequency	f_{MAX}	($V_{OH} - V_{OL}$) \geq 400mV, Figure 2	1.5			1.5			1.5			GHz
Output Rise/Fall Time (20% to 80%)	t_R , t_F	Figure 2	80		120	90		130	90		145	ps

Note 1: Measurements are made with the device in thermal equilibrium.

Note 2: Current into a pin is defined as positive. Current out of a pin is defined as negative.

Note 3: DC parameters production tested at $T_A = +25^\circ C$ and guaranteed by design over the full operating temperature range.

Note 4: Single-ended input operation using V_{BB} is limited to $V_{CC} - V_{EE} = 3.0V$ to $3.8V$.

Note 5: Use V_{BB} only for inputs that are on the same device as the V_{BB} reference.

Note 6: All pins open except V_{CC} and V_{EE} .

Note 7: Guaranteed by design and characterization. Limits are set at ± 6 sigma.

Note 8: Measured between outputs of the same part at the signal crossing points for a same-edge transition.

Note 9: Measured between outputs of different parts at the signal crossing points under identical conditions for a same-edge transition.

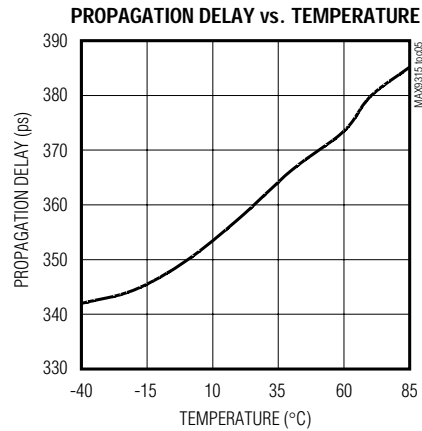
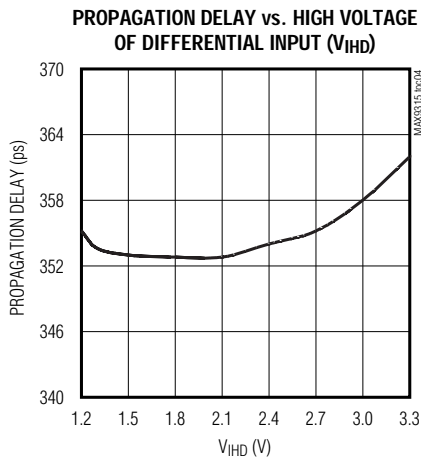
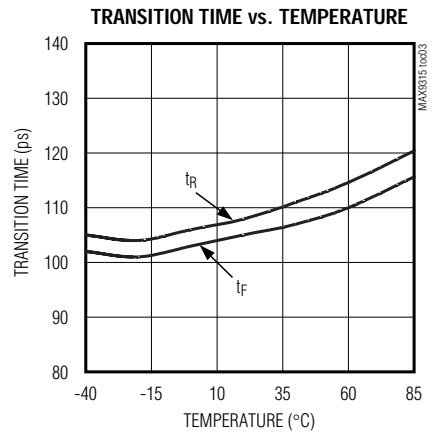
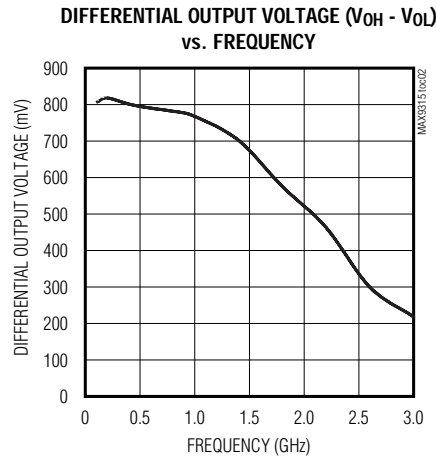
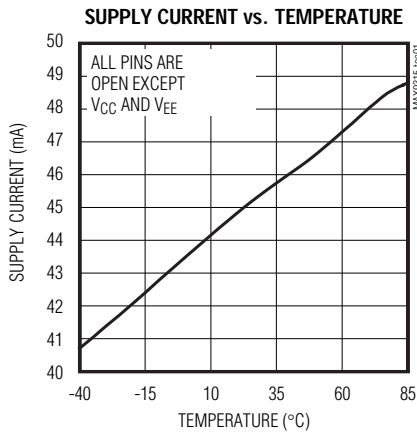
Note 10: Device jitter added to the input signal.

1:5 Differential LVPECL/LVECL/HSTL Clock and Data Driver

Typical Operating Characteristics

($V_{CC} = +3.3V$, $V_{EE} = 0$, $V_{IHD} = V_{CC} - 1V$, $V_{ILD} = V_{CC} - 1.15V$, input transition time = 125ps (20% to 80%), $f_{IN} = 2GHz$, outputs loaded with 50Ω to $V_{CC} - 2V$, $T_A = +25^\circ C$, unless otherwise noted.)

MAX9315



1:5 Differential LVPECL/LVECL/HSTL Clock and Data Driver

MAX9315

Pin Description

PIN	NAME	FUNCTION
1	Q0	Noninverting Q0 Output. Typically terminate with 50Ω resistor to V _{CC} - 2V.
2	$\overline{Q0}$	Inverting Q0 Output. Typically terminate with 50Ω resistor to V _{CC} - 2V.
3	Q1	Noninverting Q1 Output. Typically terminate with 50Ω resistor to V _{CC} - 2V.
4	$\overline{Q1}$	Inverting Q1 Output. Typically terminate with 50Ω resistor to V _{CC} - 2V.
5	Q2	Noninverting Q2 Output. Typically terminate with 50Ω resistor to V _{CC} - 2V.
6	$\overline{Q2}$	Inverting Q2 Output. Typically terminate with 50Ω resistor to V _{CC} - 2V.
7	Q3	Noninverting Q3 Output. Typically terminate with 50Ω resistor to V _{CC} - 2V.
8	$\overline{Q3}$	Inverting Q3 Output. Typically terminate with 50Ω resistor to V _{CC} - 2V.
9	Q4	Noninverting Q4 Output. Typically terminate with 50Ω resistor to V _{CC} - 2V.
10	$\overline{Q4}$	Inverting Q4 Output. Typically terminate with 50Ω resistor to V _{CC} - 2V.
11	V _{EE}	Negative Supply Voltage
12	SEL	Clock Select Input (Single Ended). Drive low to select the CLK0, $\overline{CLK0}$ input. Drive high to select the CLK1, $\overline{CLK1}$ input. The SEL threshold is equal to V _{BB} .
13	CLK0	Noninverting Differential Clock Input 0. Internal 75kΩ pulldown to V _{EE} .
14	$\overline{CLK0}$	Inverting Differential Clock Input 0. Internal 75kΩ pullup to V _{CC} and 75kΩ pulldown to V _{EE} .
15	V _{BB}	Reference Output Voltage. Connect to the inverting or noninverting clock input to provide a reference for single-ended operation. When used, bypass with a 0.01μF ceramic capacitor to V _{CC} ; otherwise, leave open.
16	CLK1	Noninverting Differential Clock Input 1. Internal 75kΩ pulldown to V _{EE} .
17	$\overline{CLK1}$	Inverting Differential Clock Input 1. Internal 75kΩ pullup to V _{CC} and 75kΩ pulldown to V _{EE} .
18, 20	V _{CC}	Positive Supply Voltage. Bypass V _{CC} to V _{EE} with 0.1μF and 0.01μF ceramic capacitors. Place the capacitors as close to the device as possible with the smaller value capacitor closest to the device.
19	\overline{EN}	Output Enable Input. Outputs are synchronously enabled on the falling edge of the selected clock input when \overline{EN} is low. Outputs are synchronously driven low on the falling edge of the selected clock input when \overline{EN} is high.

Detailed Description

The MAX9315 is a low-skew, 1-to-5 differential driver designed for clock or data distribution. A 2-to-1 MUX selects one of the two differential clock inputs, CLK0, $\overline{CLK0}$ or CLK1, $\overline{CLK1}$. The MUX is switched by the single-ended SEL input. A logic low selects the CLK0, $\overline{CLK0}$ input and a logic high selects the $\overline{CLK1}$, CLK1 input. The SEL logic threshold is set by the internal voltage reference V_{BB}. SEL can be driven to V_{CC} and V_{EE} or by a single-ended LVPECL/LVECL signal. The selected input is reproduced at five differential outputs.

Synchronous Enable

The MAX9315 is synchronously enabled and disabled with outputs in the low state to eliminate shortened clock pulses. \overline{EN} is connected to the input of an edge-triggered D flip-flop. After power-up, drive \overline{EN} low and

toggle the selected clock input to enable the outputs. The outputs are enabled on the falling edge of the selected clock input after \overline{EN} goes low. The outputs are set to a low state on the falling edge of the selected clock input after \overline{EN} goes high. The threshold for \overline{EN} is equal to V_{BB}.

Supply

For interfacing to differential HSTL and LVPECL signals, the V_{CC} range is from +2.375V to +3.8V (with V_{EE} grounded), allowing high-performance clock or data distribution in systems with a nominal +2.5V or +3.3V supply. For interfacing to differential LVECL, the V_{EE} range is -2.375V to -3.8V (with V_{CC} grounded). Output levels are referenced to V_{CC} and are considered LVPECL or LVECL, depending on the level of the V_{CC} supply. With V_{CC} connected to a positive supply and

1:5 Differential LVPECL/LVECL/HSTL Clock and Data Driver

V_{EE} connected to ground, the outputs are LVPECL. The outputs are LVECL when V_{CC} is connected to ground and V_{EE} is connected to a negative supply.

Input Bias Resistors

When the inputs are open, the internal bias resistors set the inputs to low state. The inverting inputs ($\overline{\text{CLK0}}$ and $\overline{\text{CLK1}}$) are each biased with a $75\text{k}\Omega$ pullup to V_{CC} and a $75\text{k}\Omega$ pulldown to V_{EE} . The noninverting inputs (CLK0 and CLK1) are each biased with a $75\text{k}\Omega$ pulldown to V_{EE} .

Differential Clock Input Limits

The maximum magnitude of the differential signal applied to the clock input is 3.0V or $V_{CC} - V_{EE}$, whichever is less. This limit also applies to the difference between any reference voltage input and a single-ended input. Specifications for the high and low voltages of a differential input (V_{IHD} and V_{ILD}) and the differential input voltage ($V_{IHD} - V_{ILD}$) apply simultaneously.

Single-Ended Clock Input and V_{BB}

The differential clock inputs can be configured to accept single-ended inputs. This is accomplished by connecting the on-chip reference voltage, V_{BB} , to the inverting or noninverting input of a differential input as a reference. For example, the differential $\overline{\text{CLK0}}$, $\overline{\text{CLK0}}$ input is converted to a noninverting, single-ended input by connecting V_{BB} to $\overline{\text{CLK0}}$ and connecting the single-ended input signal to CLK0 . Similarly, an inverting configuration is obtained by connecting V_{BB} to CLK0 and connecting the single-ended input to $\overline{\text{CLK0}}$. With a differential input configured as single ended (using V_{BB}), the single-ended input can be driven to V_{CC} and V_{EE} or with a single-ended LVPECL/LVECL signal. Note that single-ended input must be at least $V_{BB} \pm 100\text{mV}$ or a differential input of at least 100mV to switch the outputs to the V_{OH} and V_{OL} levels specified in the *DC Electrical Characteristics* table.

If V_{BB} is used, the supply must be in the $V_{CC} - V_{EE} = +2.725\text{V}$ to $+3.8\text{V}$ range because one of the inputs must be $V_{EE} + 1.2\text{V}$ or higher for proper input stage operation. V_{BB} must be at least $V_{EE} + 1.2\text{V}$ because it becomes the high-level input when the other (single-ended) input swings below it. Therefore, minimum $V_{BB} = V_{EE} + 1.2\text{V}$. The minimum V_{BB} output of the MAX9315 is $V_{CC} - 1.525\text{V}$. Substituting the minimum V_{BB} output into $V_{BB} = V_{EE} + 1.2\text{V}$ results in a minimum supply of $+2.725\text{V}$. Rounding up to standard supplies gives the single-ended operating supply range of $V_{CC} - V_{EE} = +3.0\text{V}$ to $+3.8\text{V}$.

When using the V_{BB} reference output, bypass it with a $0.01\mu\text{F}$ ceramic capacitor to V_{CC} . If the V_{BB} reference is not used, leave it open. The V_{BB} reference can source or sink 0.5mA , which is sufficient to drive two inputs. Use V_{BB} only for inputs that are on the same device as the V_{BB} reference.

Applications Information

Supply Bypassing

Bypass V_{CC} to V_{EE} with high-frequency surface-mount ceramic $0.1\mu\text{F}$ and $0.01\mu\text{F}$ capacitors in parallel as close to the device as possible, with the $0.01\mu\text{F}$ capacitor closest to the device. Use multiple parallel vias to minimize parasitic inductance. When using the V_{BB} reference output, bypass it with a $0.01\mu\text{F}$ ceramic capacitor to V_{CC} (if the V_{BB} reference is not used, it can be left open).

Controlled-Impedance Traces

Input and output trace characteristics affect the performance of the MAX9315. Connect high-frequency input and output signals with 50Ω characteristic impedance traces. Minimize the number of vias to prevent impedance discontinuities. Reduce reflections by maintaining the 50Ω characteristic impedance through cables and connectors. Reduce skew within a differential pair by matching the electrical length of the traces.

Output Termination

Terminate outputs with 50Ω to $V_{CC} - 2\text{V}$ or use an equivalent Thevenin termination. When a single-ended signal is taken from a differential output, terminate both outputs. For example, if $Q0$ is used as a single-ended output, terminate both $Q0$ and $\overline{Q0}$.

Chip Information

TRANSISTOR COUNT: 616

PROCESS: Bipolar

MAX9315

1:5 Differential LVPECL/LVECL/HSTL Clock and Data Driver

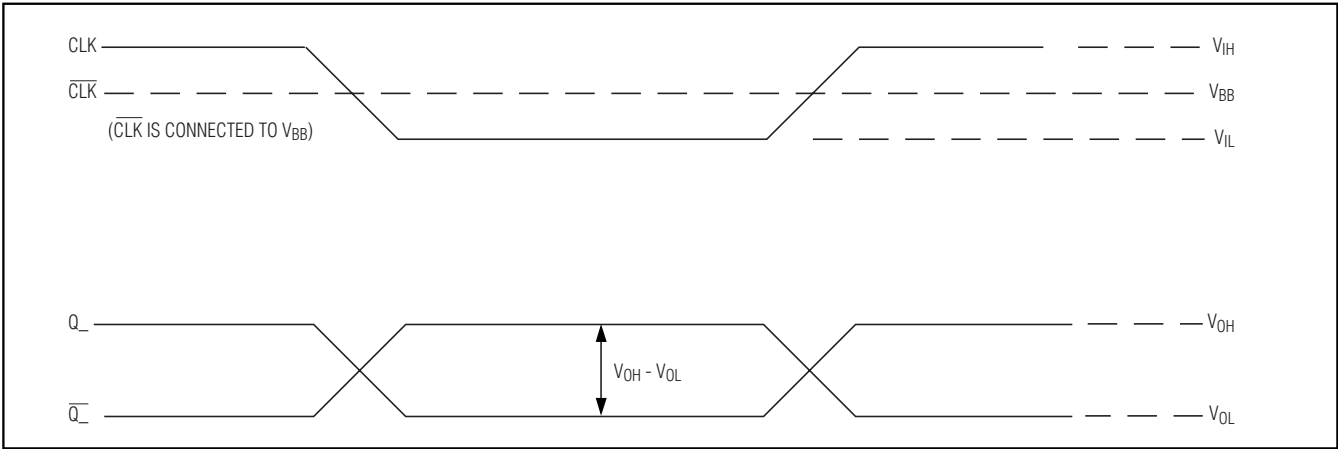


Figure 1. MAX9315 Switching Characteristics with Single-Ended Input

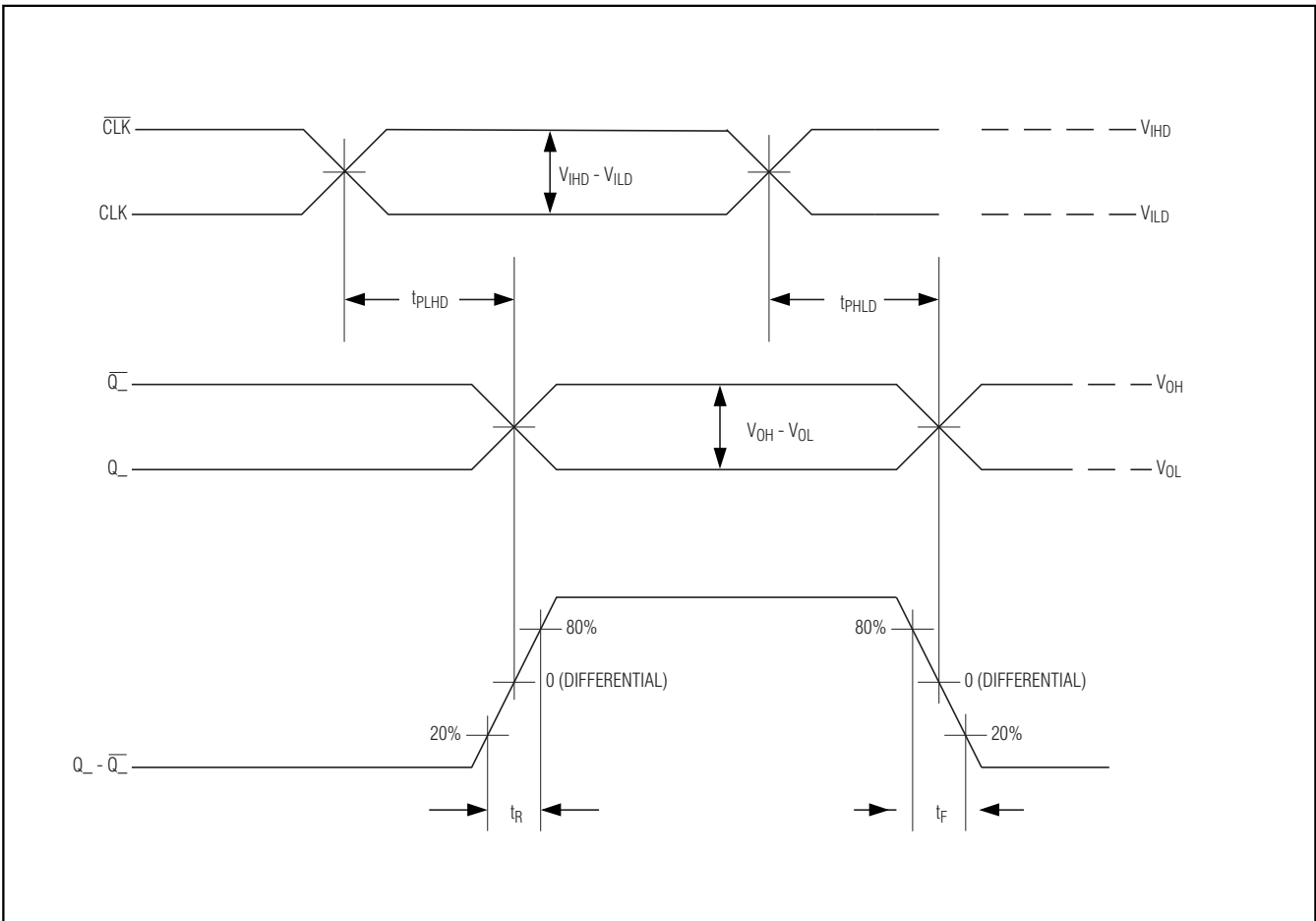


Figure 2. MAX9315 Timing Diagram

1:5 Differential LVPECL/LVECL/HSTL Clock and Data Driver

MAX9315

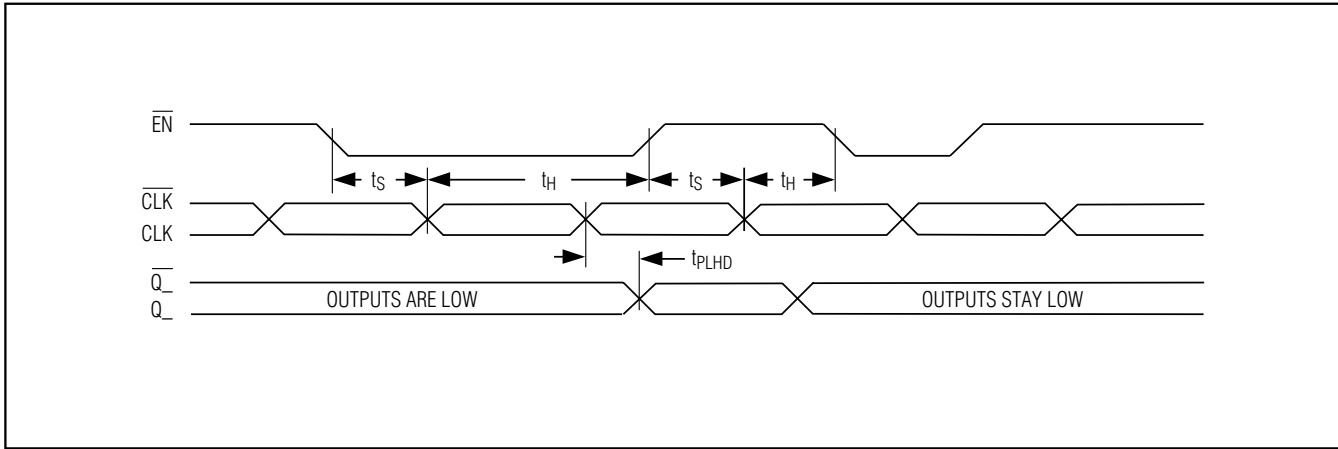
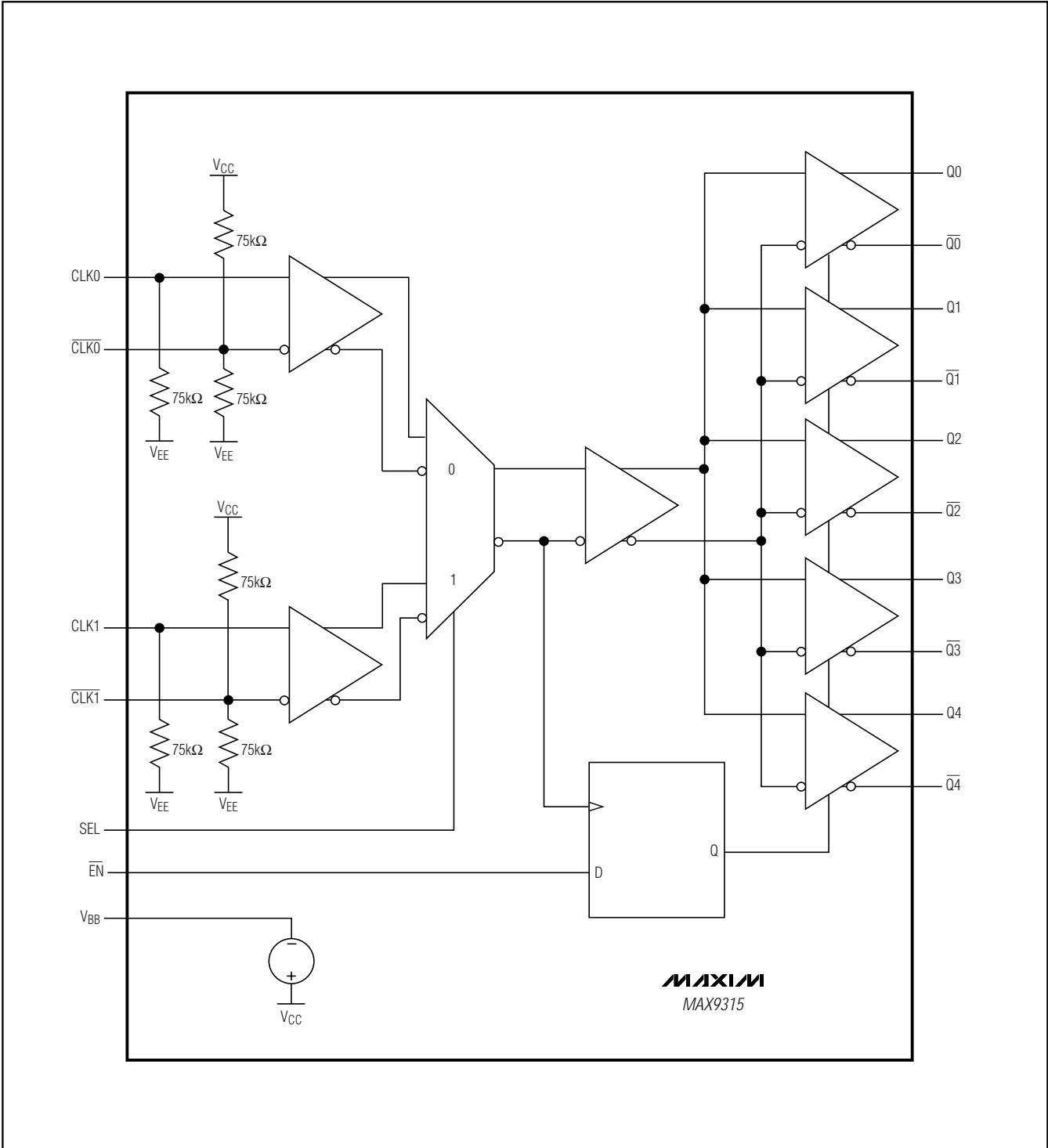


Figure 3. MAX9315 \overline{EN} Timing Diagram

1:5 Differential LVPECL/LVECL/HSTL Clock and Data Driver

MAX9315

Functional Diagram



1:5 Differential LVPECL/LVECL/HSTL Clock and Data Driver

Package Information

(The package drawing(s) in this data sheet may not reflect the most current specifications. For the latest package outline information, go to www.maxim-ic.com/packages.)

MAX9315

TOP VIEW **BOTTOM VIEW**

Symbol	COMMON DIMENSIONS			
	MILLIMETERS		INCHES	
	MIN.	MAX.	MIN.	MAX.
A	—	1.10	—	.043
A ₁	0.05	0.15	.002	.006
A _e	0.85	0.95	.033	.037
b	0.19	0.30	.007	.012
b ₁	0.19	0.25	.007	.010
c	0.09	0.20	.004	.008
c ₁	0.09	0.14	.004	.006
D	SEE VARIATIONS	SEE VARIATIONS	SEE VARIATIONS	SEE VARIATIONS
E	4.30	4.50	.169	.177
e	.65 BSC		.026 BSC	
H	6.25	6.55	.246	.258
L	0.50	0.70	.020	.028
N	SEE VARIATIONS	SEE VARIATIONS	SEE VARIATIONS	SEE VARIATIONS
α	0°	8°	0°	8°

SIDE VIEW **END VIEW**

DETAIL A **LEAD TIP DETAIL**

JEDEC	N	VARIATIONS				
		MILLIMETERS		INCHES		
		MIN.	MAX.	MIN.	MAX.	
AB-1	14	D	4.90	5.10	.193	.201
AB	16	D	4.90	5.10	.193	.201
AC	20	D	6.40	6.60	.252	.260
AD	24	D	7.70	7.90	.303	.311
AE	28	D	9.60	9.80	.378	.386

NOTES:

- DIMENSIONS D AND E DO NOT INCLUDE FLASH
- MOLD FLASH OR PROTRUSIONS NOT TO EXCEED 0.15mm PER SIDE
- CONTROLLING DIMENSION: MILLIMETER
- MEETS JEDEC OUTLINE MD-153. SEE JEDEC VARIATIONS TABLE
- "N" REFERS TO NUMBER OF LEADS
- THE LEAD TIPS MUST LIE WITHIN A SPECIFIED ZONE. THIS TOLERANCE ZONE IS DEFINED BY TWO PARALLEL PLANES. ONE PLANE IS THE SEATING PLANE, DATUM [-C-]; THE OTHER PLANE IS AT THE SPECIFIED DISTANCE FROM [-C-] IN THE DIRECTION INDICATED

DALLAS SEMICONDUCTOR **MAXIM**

PROPRIETARY INFORMATION

TITLE: PACKAGE OUTLINE, TSSOP 4.40mm BODY

APPROVAL	DOCUMENT CONTROL NO.	REV.
	21-0066	F 1/1

TSSOP4.40mm EPS

Maxim cannot assume responsibility for use of any circuitry other than circuitry entirely embodied in a Maxim product. No circuit patent licenses are implied. Maxim reserves the right to change the circuitry and specifications without notice at any time.

Maxim Integrated Products, 120 San Gabriel Drive, Sunnyvale, CA 94086 408-737-7600 _____ **11**

OUR CERTIFICATE

DiGi provide top-quality products and perfect service for customer worldwide through standardization, technological innovation and continuous improvement. DiGi through third-party certification, we stricly control the quality of products and services. Welcome your RFQ to

Email: Info@DiGi-Electronics.com



Tel: +00 852-30501935

RFQ Email: Info@DiGi-Electronics.com

DiGi is a global authorized distributor of electronic components.