

SSM3525BCBZR7 Datasheet



AHEAD OF WHAT'S POSSIBLE™

DiGi Electronics Part Number	SSM3525BCBZR7-DG
Manufacturer	Analog Devices Inc.
Manufacturer Product Number	SSM3525BCBZR7
Description	30W CLASS-D W/ OUTPUT SENSING AM
Detailed Description	Amplifier IC 1-Channel (Mono) Class D 23-WLCSP (2 .22x2.34)

<https://www.DiGi-Electronics.com>



Tel: +00 852-30501935

RFQ Email: Info@DiGi-Electronics.com

DiGi is a global authorized distributor of electronic components.

Purchase and inquiry

Manufacturer Product Number:

SSM3525BCBZR7

Series:

-

Type:

Class D

Max Output Power x Channels @ Load:

18.7W x 1 @ 80hm, 37.2W x 1 @ 40hm

Features:

-

Operating Temperature:

-40°C ~ 85°C

Package / Case:

23-UFBGA, WLCSP

Manufacturer:

Analog Devices Inc.

Product Status:

Active

Output Type:

1-Channel (Mono)

Voltage - Supply:

4.5V ~ 17V

Mounting Type:

Surface Mount

Supplier Device Package:

23-WLCSP (2.22x2.34)

Environmental & Export classification

RoHS Status:

ROHS3 Compliant

REACH Status:

REACH Unaffected

HTSUS:

8542.33.0001

Moisture Sensitivity Level (MSL):

1 (Unlimited)

ECCN:

EAR99



30 W, Filterless, Class D, Output Sensing Audio Amplifier with SoundWire

Data Sheet

SSM3525-MIPI

FEATURES

Meets MIPI Alliance SoundWire Specification Version 1.1
 Clocking, audio data and control handled over 2-wire interface
 SoundWire interface support at 1.2 V or 1.8 V
 Filterless digital input, mono Class D amplifier with Σ - Δ modulation
 4.5 V to 17 V operation, such as a 2-cell or 3-cell battery
 Input/output supply operation from 1.1 V to 1.90 V
 30.2 W output power, 17 V supply and 4 Ω load at 1% THD + N
 37.5 μ V rms noise, 107 dB A weighted SNR
 Supports sample rates from 8 kHz to 192 kHz
 Flexible digital and analog gain adjustment
 AGC with battery voltage-based limiter
 74 dB SNR on output current sensing and 85 dB SNR on voltage sensing
 6.63 mA quiescent current at 12 V PV_{DD} supply
 Temperature sensor with 1°C readout
 Short-circuit, thermal protection, and thermal warning
 23-ball, 2.26 mm \times 2.38 mm, 0.4 mm pitch WLCSP

APPLICATIONS

Mobile computing
 Portable electronics

GENERAL DESCRIPTION

The SSM3525-MIPI consists of all the blocks available in the SSM3525 plus a SoundWire® block. This data sheet provides detailed information on the SoundWire block.

The SSM3525-MIPI is a fully integrated, high efficiency, mono Class D audio amplifier with digital input and digitized output of output voltage, output current, and PV_{DD} supply with SoundWire interface. The SoundWire interface meets the MIPI® SoundWire Specification Version 1.1. For more detailed technical information on the SoundWire protocol, refer the MIPI Alliance SoundWire Specification Version 1.1.

The SoundWire protocol allows transport of control information, setup commands and audio data, such as pulse-code modulation (PCM) or pulse-density modulation (PDM) data, or other payload data over a 2-pin interface. The 2-pin interface uses the SW_CLK and SW_DATA pins to connect to the SoundWire bus. The SoundWire bus usually consists of one master interface and one or more slave interfaces, up to a maximum of eleven slave interfaces.

The SoundWire protocol allows increased system flexibility and system level power saving, as well as support for interrupt alerts to the master interface from slave interfaces.

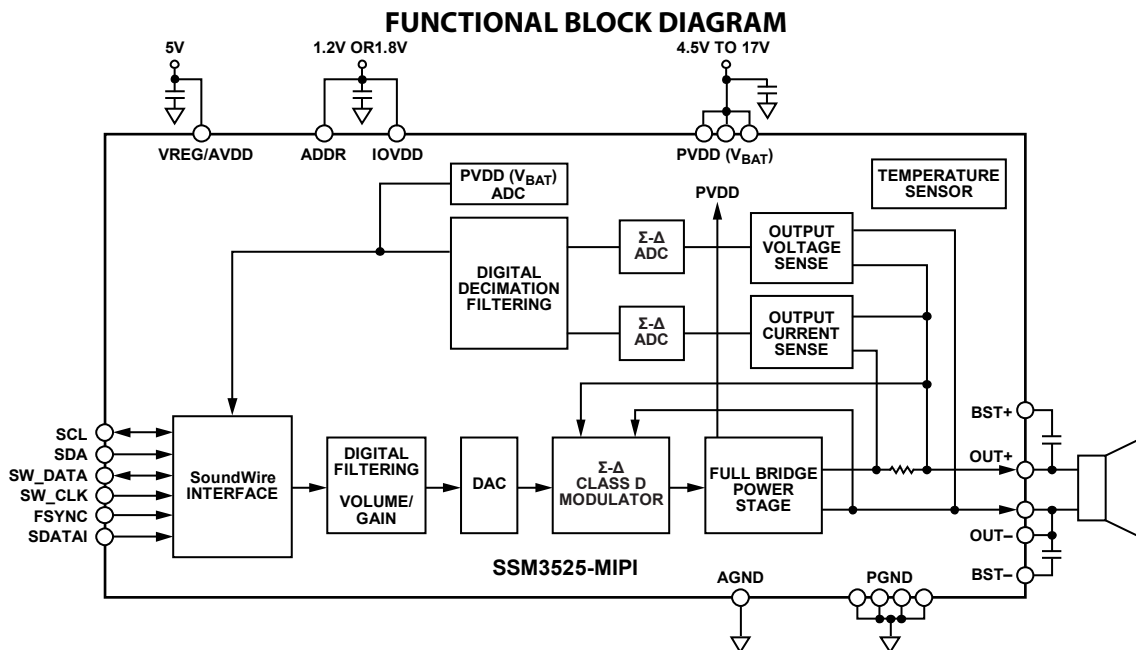


Figure 1. SSM3525-MIPI SoundWire Mode Block Diagram

For more information about the SSM3525-MIPI, contact Analog Devices, Inc., at consumer.Apps@analog.com.

Rev. Sp0

[Document Feedback](#)

Information furnished by Analog Devices is believed to be accurate and reliable. However, no responsibility is assumed by Analog Devices for its use, nor for any infringements of patents or other rights of third parties that may result from its use. Specifications subject to change without notice. No license is granted by implication or otherwise under any patent or patent rights of Analog Devices. Trademarks and registered trademarks are the property of their respective owners.

One Technology Way, P.O. Box 9106, Norwood, MA 02062-9106, U.S.A.
 Tel: 781.329.4700 ©2020 Analog Devices, Inc. All rights reserved.
 Technical Support www.analog.com

NOTES

OUR CERTIFICATE

DiGi provide top-quality products and perfect service for customer worldwide through standardization, technological innovation and continuous improvement. DiGi through third-party certification, we strictly control the quality of products and services. Welcome your RFQ to

Email: Info@DiGi-Electronics.com



Tel: +00 852-30501935

RFQ Email: Info@DiGi-Electronics.com

DiGi is a global authorized distributor of electronic components.