

CD08RM0SB Datasheet



<https://www.DiGi-Electronics.com>

DiGi Electronics Part Number	CD08RM0SB-DG
Manufacturer	C&K
Manufacturer Product Number	CD08RM0SB
Description	SW ROTARY DIP OCTAL 0.40VA 20V
Detailed Description	Dip Switch Octal 8 Position Surface Mount Rotary for Tool Actuator 0.4VA 20VAC/DC

This model CD08RM0SB is available at DiGi Electronics.

DiGi Electronics offers a global database of semiconductor and electronic component datasheets.

We welcome your inquiries regarding pricing, lead time, or other product-related questions.

 [Request a Quote](#)

 [Datasheet Search](#)



Tel: +00 852-30501935

RFQ Email: Info@DiGi-Electronics.com

DiGi is a global authorized distributor of electronic components.

Purchase and inquiry

Manufacturer Product Number:

CD08RM0SB

Series:

CD

Circuit:

Octal

Current Rating (Amps):

0.4VA

Actuator Type:

Rotary for Tool

Contact Material:

Copper Alloy

Height Above Board:

0.168" (4.27mm)

Termination Style:

Gull Wing

Washable:

Yes

Operating Temperature:

-25°C ~ 85°C

Length:

0.315" (8.00mm)

Electrical Life:

12,000 Steps

Manufacturer:

C&K

Product Status:

Active

Number of Positions:

8

Voltage Rating:

20VAC/DC

Actuator Level:

Flush, Recessed

Contact Finish:

Gold

Mounting Type:

Surface Mount

Pitch:

0.100" (2.54mm), Full

Features:

Process Sealed

Body Material:

Polyphenylene Sulfide (PPS)

Mechanical Life:

12,000 Steps

Base Product Number:

CD08RM0S

Environmental & Export classification

RoHS Status:

ROHS3 Compliant

REACH Status:

REACH Unaffected

HTSUS:

8536.50.9065

Moisture Sensitivity Level (MSL):

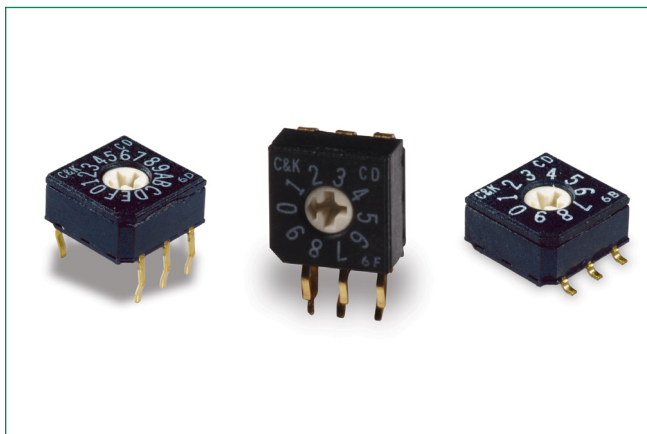
1 (Unlimited)

ECCN:

EAR99

CD Series

8mm Coded Rotary DIP Switches



Description

Designers of address switching applications, data storage devices and instrumentation applications turn to the CD series 8mm coded rotary DIP switches because of their compact size and resistance to harsh environments. The CD series are process sealed to withstand soldering and cleaning, are 36% smaller than traditional 10mm DIP – saving critical space – and are built with a crisp, positive detent that ensures actuation.

Features & Benefits

- Process sealed – withstands soldering and cleaning
- Thru-hole and surface mount models
- Compact size saves space – 36% smaller than traditional 10mm DIP
- Crisp, positive detent ensures actuation
- RoHS compliant
- IP65

Specifications

Contact Rating	0.4 VA max. @ 20 V AC or V DC max.
Packaging	Switches supplied in rigid tubes in full-tube quantities only; this may affect order quantity. Tube quantity is 60 pieces per tube. Surface mount switches available in tape & reel packaging per EIA 481A, 800 per reel. surface mount with “M0” actuator only.

Mechanical Characteristics

Mechanical and Electrical Life	CD10 & CD16: 20,000 actuations. CD08: 12,000 actuations.
Contact Resistance	100 milliohms max. initial
Insulation Resistance	100 megohms min. @ 250 V AC min.
Dielectric Strength	250 V RMS min. @ sea level

Environmental Characteristics

Operating Temperature	-25°C to 85°C
Storage Temperature	-40°C to 85°C

Process

Solderability	Per MIL-STD-202F method 208D or EIA RS-186E, method 9 (1 hour steam aging).
----------------------	---

Applications

- Address switching applications
- Data storage devices
- Computer and peripherals
- Instrumentation

Materials

Cover	PPS (UL 94 V-0) Color; Black
Base	
Actuator	LCP (UL 94 V-0), Color White (CDXXR) Color Black (CDXXC)
Movable Contacts	Copper alloy with gold plate over nickel plate
Stationary Contacts	
Terminals	

Note: Specifications and materials listed above are for switches with standard options. For information on specific and custom switches, consult Customer Service Center.

CD Series

8mm Coded Rotary DIP Switches



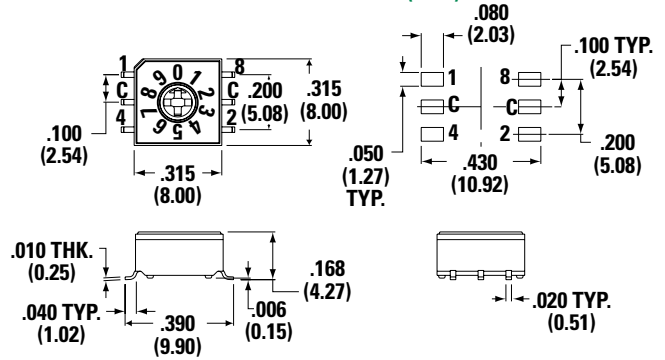
Surface Mount



Part #	No. Pos.	Quantity per Tube
CD08RM0SB	8	60
CD10RM0SB	10	60
CD10CM0SB		
CD16RM0SB	16	60
CD16CM0SB		

Note: For tape and reel packaging, add 'R' to end of part number.

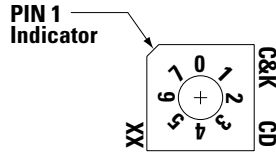
CD10RM0SB inches (mm)



Switch Function

CD08R - 8 Position, BCD, Actuator Color: White

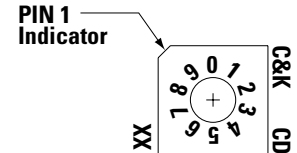
POS.	0	1	2	3	4	5	6	7
C	●	●	●	●	●	●	●	●
1		●		●		●		●
2			●	●			●	●
4					●	●	●	●
8								



Switches ship and to be solder processed in position "0"

CD10R - 10 Position, BCD, Actuator Color: White

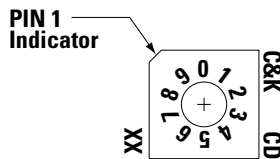
POS.	0	1	2	3	4	5	6	7	8	9
C	●	●	●	●	●	●	●	●	●	●
1		●		●		●		●		●
2			●	●			●	●		
4					●	●	●	●		
8									●	●



Switches ship and to be solder processed in position "0"

CD10C - 10 Position, BCD Complement, Actuator Color: Black

POS.	0	1	2	3	4	5	6	7	8	9
C	●	●	●	●	●	●	●	●	●	●
1	●		●		●		●		●	
2	●	●			●	●		●	●	
4	●	●	●					●	●	●
8	●	●	●	●	●	●	●	●	●	



Switches ship and to be solder processed in position "7"

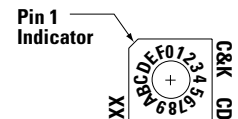
CD16R - 16 Position, Hexadecimal, Actuator Color: White

POS.	0	1	2	3	4	5	6	7	8	9	A	B	C	D	E	F
C	●	●	●	●	●	●	●	●	●	●	●	●	●	●	●	●
1		●			●			●				●		●		●
2			●	●					●	●		●	●		●	●
4					●	●	●	●			●	●	●	●		●
8									●	●	●	●	●	●	●	●

Switches ship and to be solder processed in position "0"

CD16C - 16 Position, Hexadecimal Complement, Actuator Color: Black

POS.	0	1	2	3	4	5	6	7	8	9	A	B	C	D	E	F
C	●	●	●	●	●	●	●	●	●	●	●	●	●	●	●	●
1	●		●		●		●		●		●		●		●	
2	●	●			●	●			●	●		●	●		●	●
4	●	●	●						●	●	●	●	●	●		●
8	●	●	●	●	●	●	●	●								



Switches ship and to be solder processed in position "F"

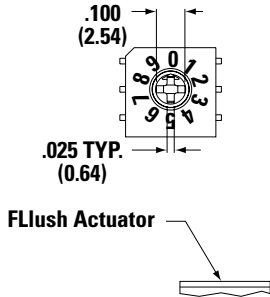
CD Series

8mm Coded Rotary DIP Switches



Actuator

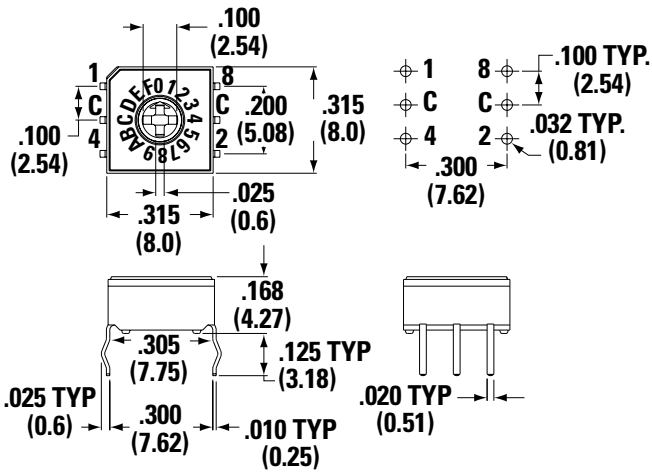
M0-(STD.) Flush with Screwdriver Slot inches (mm)



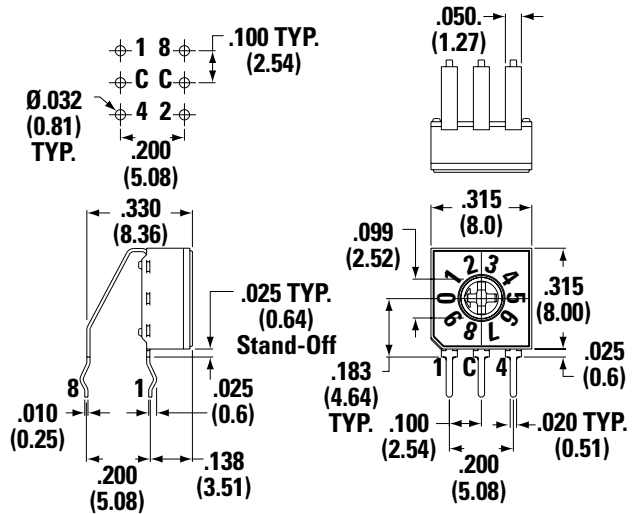
Note: Designed for #0 Phillips screwdriver.

Terminations

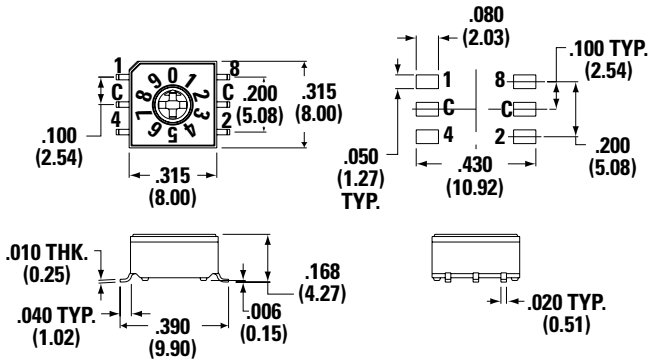
C-PC, Thru-hole inches (mm)



A-Right Angle, PC Thru-hole inches (mm)



S-Surface Mount inches (mm)



CD Series

8mm Coded Rotary DIP Switches



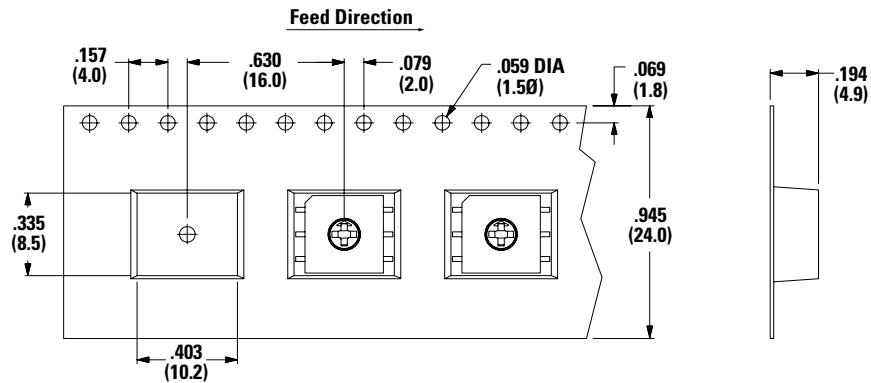
Contact Material

Option Code	RoHS Compliant ¹	Reflow Compatible ¹	Contact Plating	Terminal Plating	Rating
B	Yes	Yes	Gold	Gold	Low Level / Dry Circuit 0.4 VC max. @ 20 V AC or DC max.

Note: See Technical Data section of this catalog for RoHS compliant and compatible definitions and specifications.

Tape and Reel

For Part Number CDxxM05BR inches (mm)



Reel Information

Outside Diameter	13.00 (333.0)
Pilot Hole	0.512 (13.0)

Disclaimer Notice - Information furnished is believed to be accurate and reliable. However, users should independently evaluate the suitability of and test each product selected for their own applications. Littelfuse products are not designed for, and may not be used in, all applications. Read complete Disclaimer Notice at <http://www.littelfuse.com/disclaimer-electronics>.

OUR CERTIFICATE

DiGi provide top-quality products and perfect service for customer worldwide through standardization, technological innovation and continuous improvement. DiGi through third-party certification, we stricly control the quality of products and services. Welcome your RFQ to

Email: Info@DiGi-Electronics.com



Tel: +00 852-30501935

RFQ Email: Info@DiGi-Electronics.com

DiGi is a global authorized distributor of electronic components.