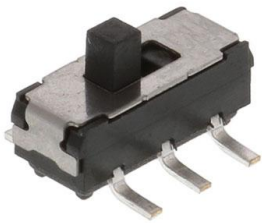


# JS202011SCQN Datasheet

[www.digi-electronics.com](http://www.digi-electronics.com)



<https://www.DiGi-Electronics.com>

DiGi Electronics Part Number	JS202011SCQN-DG
Manufacturer	<a href="#">C&amp;K</a>
Manufacturer Product Number	JS202011SCQN
Description	SWITCH SLIDE DPDT 300MA 6V
Detailed Description	Slide Switch DPDT Surface Mount

This model JS202011SCQN is available at DiGi Electronics.

DiGi Electronics offers a global database of semiconductor and electronic component datasheets.

We welcome your inquiries regarding pricing, lead time, or other product-related questions.

 [Request a Quote](#)

 [Datasheet Search](#)



Tel: +00 852-30501935

RFQ Email: [Info@DiGi-Electronics.com](mailto:Info@DiGi-Electronics.com)

DiGi is a global authorized distributor of electronic components.

## Purchase and inquiry

Manufacturer Product Number:

JS202011SCQN

Series:

JS

Circuit:

DPDT

Switch Function:

On-On

Voltage Rating - DC:

6 V

Actuator Length:

2.00mm

Contact Finish:

Silver

Termination Style:

Gull Wing

Operating Temperature:

-40°C ~ 85°C

Switch Travel:

2.00mm

Electrical Life:

5,000 Cycles

Base Product Number:

JS202011

Manufacturer:

C&K

Product Status:

Active

Contact Timing:

Not Specified

Current Rating (Amps):

300mA (DC)

Actuator Type:

Standard

Contact Material:

Copper Alloy

Mounting Type:

Surface Mount

Features:

-

Actuator Material:

Polyamide (PA46), Nylon 4/6

Mechanical Life:

-

Operating Force:

-

## Environmental & Export classification

RoHS Status:

ROHS3 Compliant

REACH Status:

REACH Unaffected

HTSUS:

8536.50.9050

Moisture Sensitivity Level (MSL):

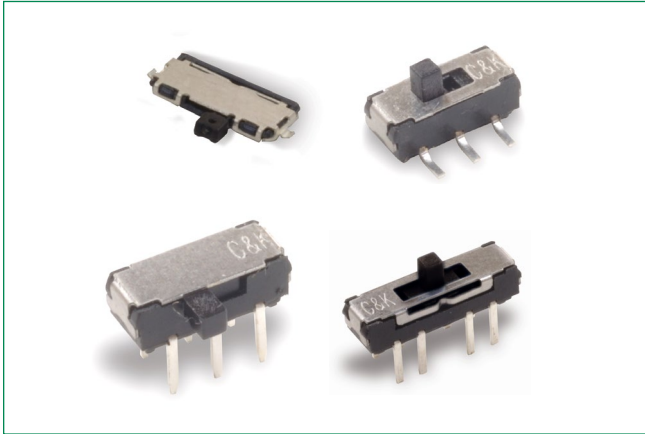
1 (Unlimited)

ECCN:

EAR99

# JS Series

## Sub-Miniature Slide Switches



### Description

Designers of telecommunication products, computer peripherals, thermostat select switches, and other various instrumentations need a switch that's low-profile while still performing at a high level. The JS series sub-miniature slide switches feature positive detent, an IR reflow to 260° solder profile, surface and thru hole mounting – and are available in SPDT, DPDT and DP3T models.

### Features & Benefits

- Positive detent
- Low profile
- IR reflow to 260° solder profile
- Surface and thru hole mounting
- SPDT, DPDT, DP3T models
- RoHS compliant

### Applications

- Telecommunication products
- Computer peripherals
- Thermostat select switch
- Instrumentation
- Medical

### Specifications

<b>Contact Rating</b>	0.3A @ 6VDC or 0.1A @ 30VDC
<b>Electrical Life</b>	5,000 make-and-break cycles
<b>Contact Resistance</b>	70 m Ω max.
<b>Insulation Resistance</b>	100 M Ω min. @ 500V
<b>Dielectric Strength</b>	500 VAC min. @ sea level
<b>Operating Temperature</b>	-40°C to 85°C
<b>Storage Temperature</b>	-40°C to 85°C

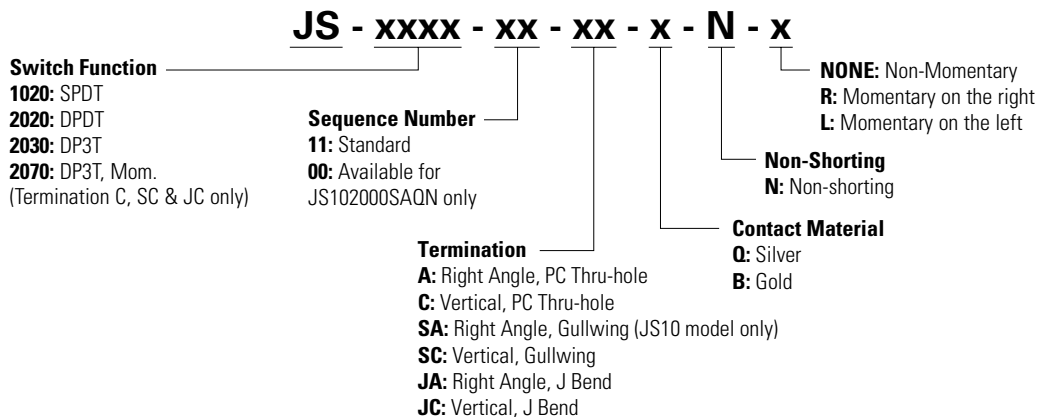
### Materials

<b>Housing</b>	4/6 nylon, black
<b>Actuator</b>	4/6 nylon, black (some options white)
<b>Contacts</b>	Copper alloy, silver or gold plated
<b>Terminals</b>	Brass, silver or gold plated

**Notes:** Specifications and materials listed above are for switches with standard options. For information on specific and custom switches, consult Customer Service Center.

### Ordering Number

Our easy build-a-switch concept allows you to mix and match options to create the switch you need. To order, select desired option from each category and place it in the appropriate box.



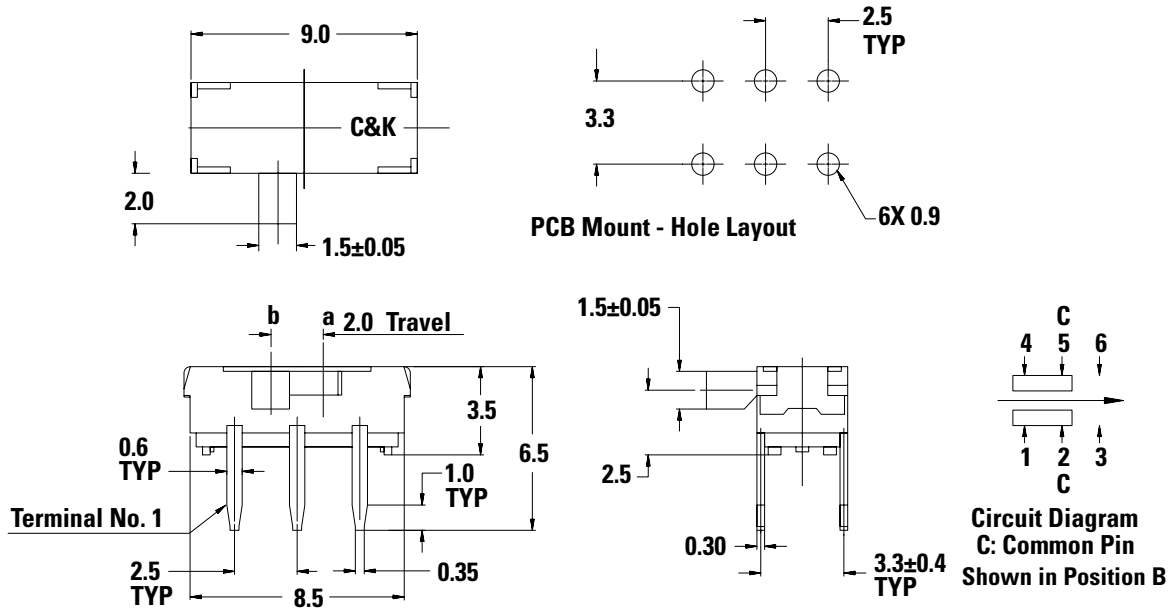
# JS Series

## Sub-Miniature Slide Switches

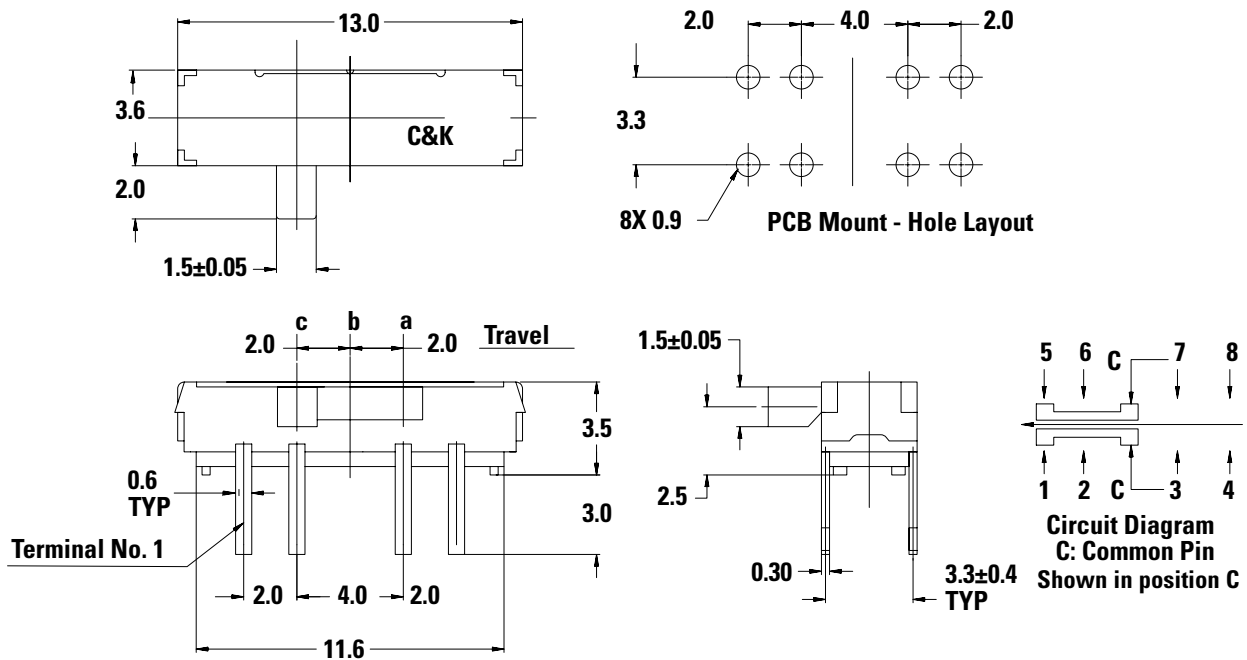


Right Angle, PC Thru-hole

JS202011AQN DPDT Shown in Position B



JS203011AQN DP3T Shown in Position B



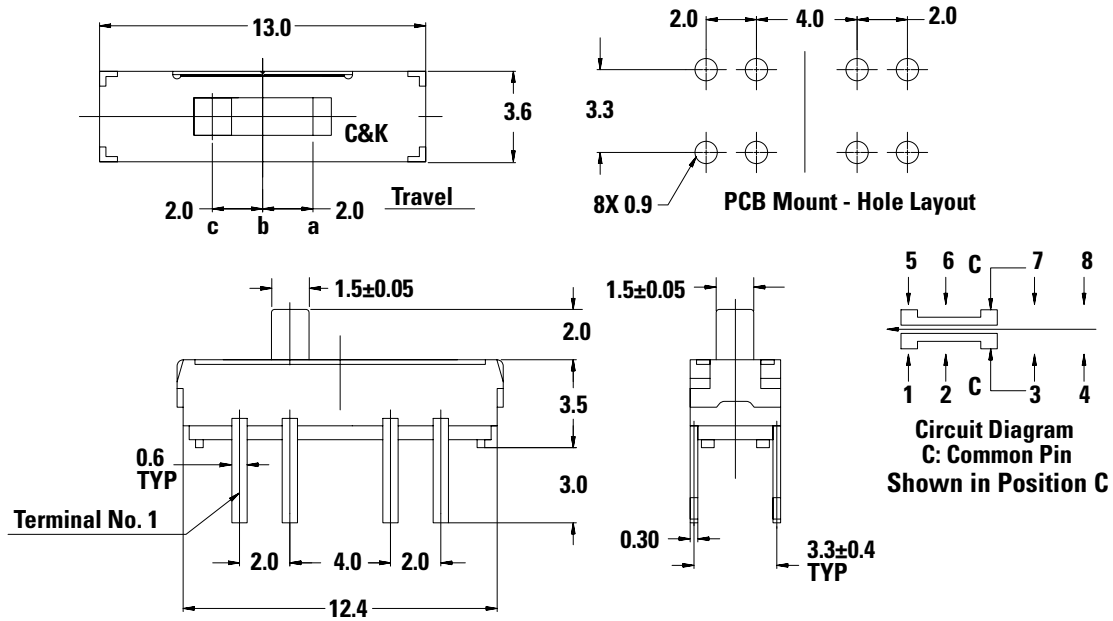
# JS Series

## Sub-Miniature Slide Switches

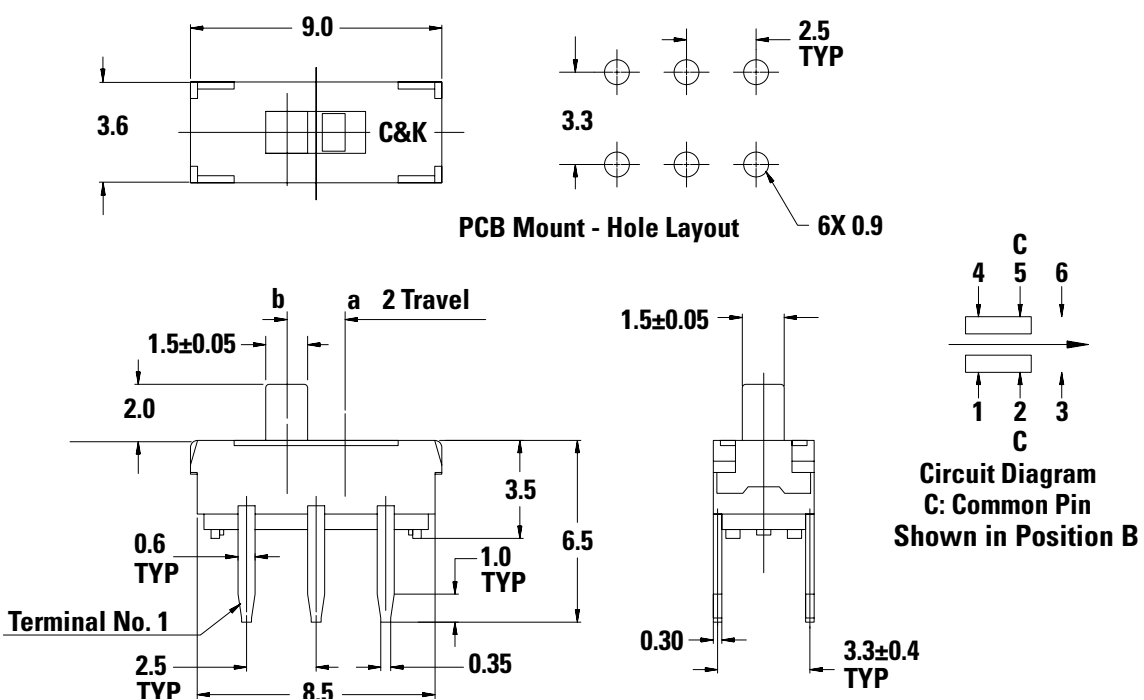


### PCThru-hole

#### JS203011CQN DP3T Shown in Position B



#### JS202011CQN DPDT Shown in Position A



# JS Series

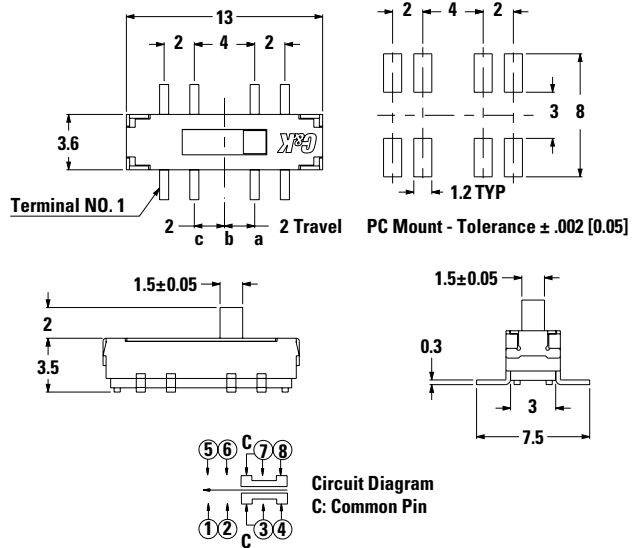
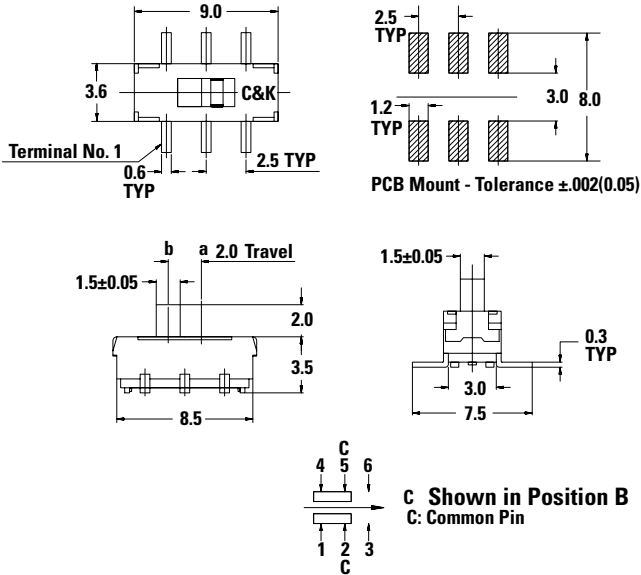
## Sub-Miniature Slide Switches



### Surface Mount

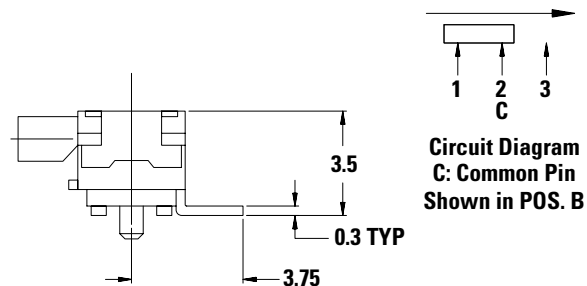
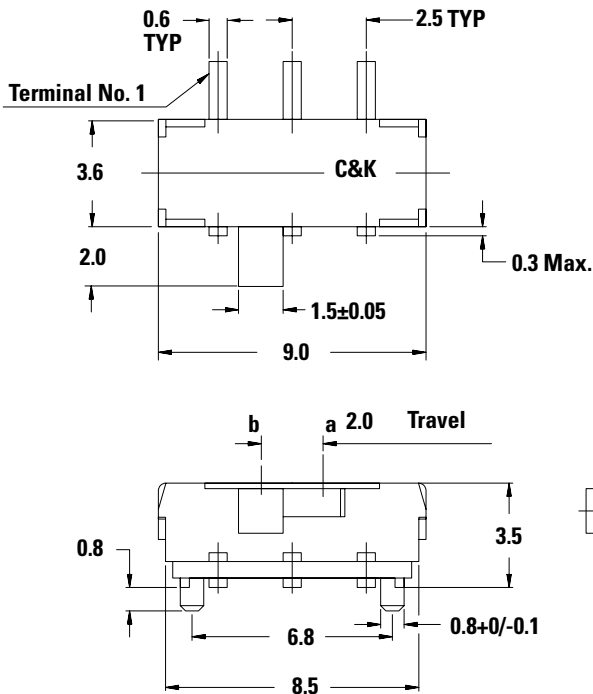
JS202011SCQN DPDT Shown in position B. Quantity per reel 1000. Available in tape & reel only

JS203011SCQN DP3T Quantity per reel 900. Available in tape & reel only



### Right Angle Surface Mount

JS102011SAQN SPDT Shown in position A. Available in tape & reel only



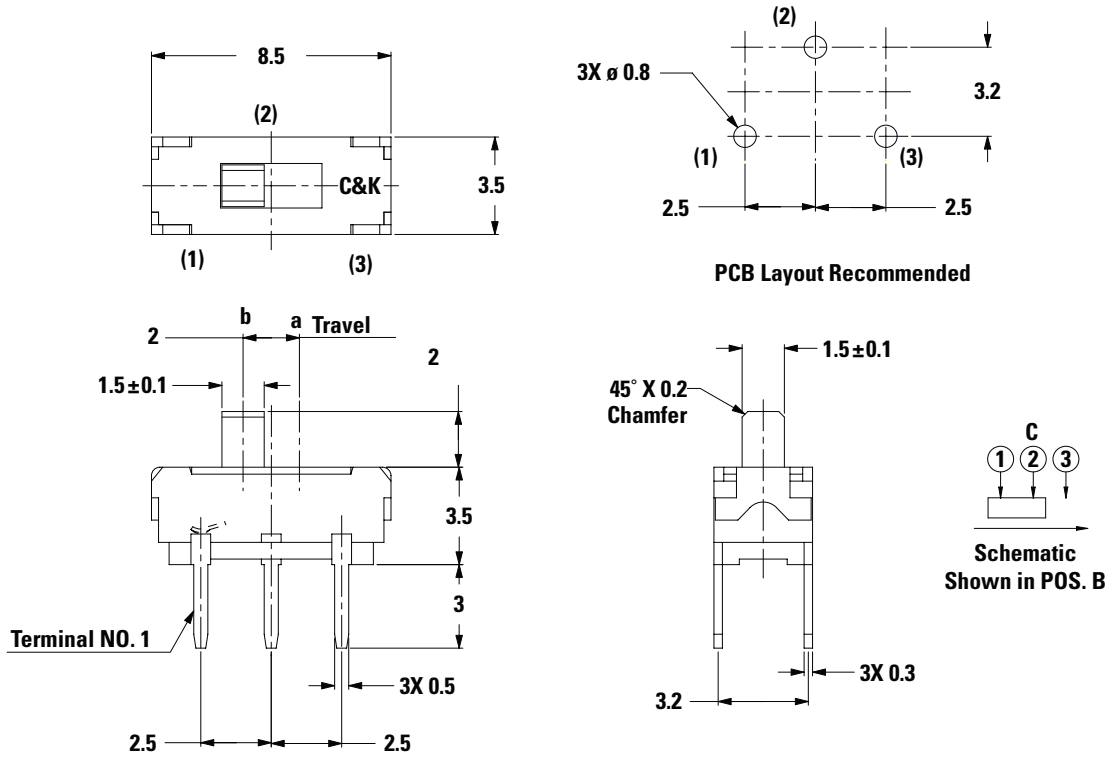
# JS Series

## Sub-Miniature Slide Switches



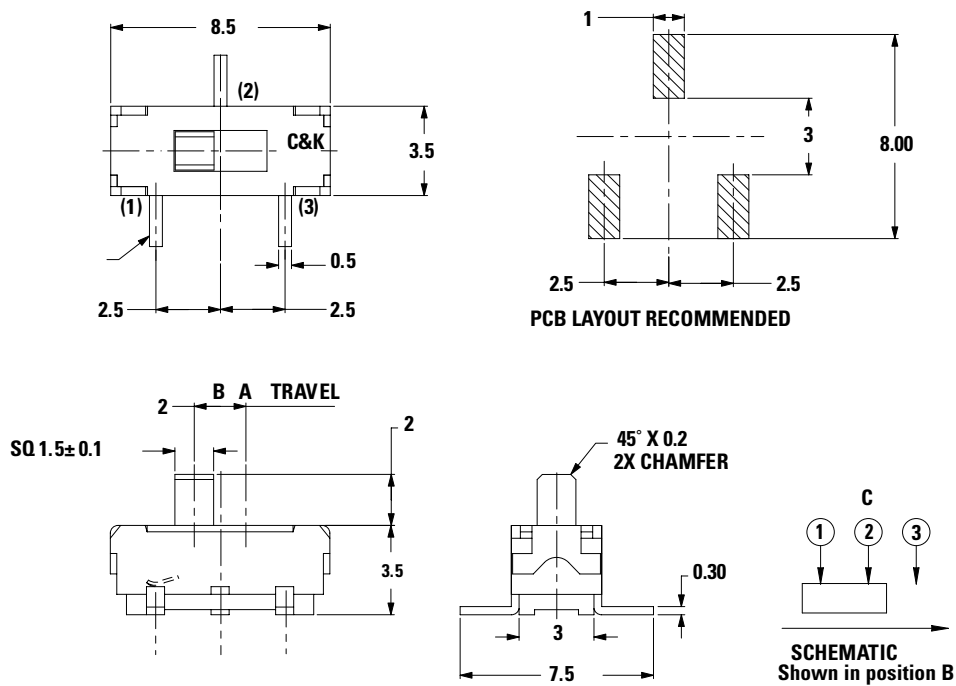
### PC Thru-hole

JS102011CQN SPDT Shown in position A.



### Surface Mount

JS102011SCQN SPDT



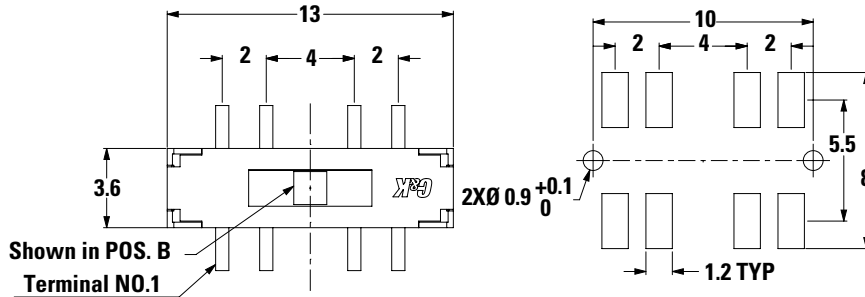
# JS Series

## Sub-Miniature Slide Switches



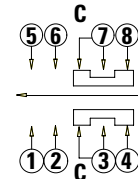
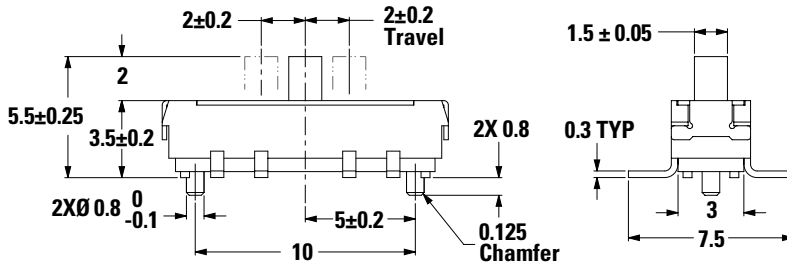
### Surface Mount

JS207011SCQNR DP3T Shown in position B.



Shown in POS. B  
Terminal NO.1

### PC Mount - Tolerance ±.05



Circuit Diagram  
C: Common Pin  
Bottom View

Switch Function		
 POS.C C&K (MOM)	 POS.B C&K On	 POS.A C&K
Connected Terminals		
1-3, 5-7	2-3, 6-7	3-4, 7-8

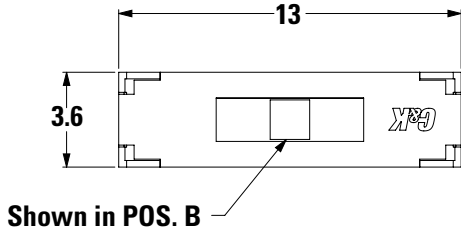
# JS Series

## Sub-Miniature Slide Switches

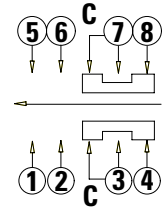
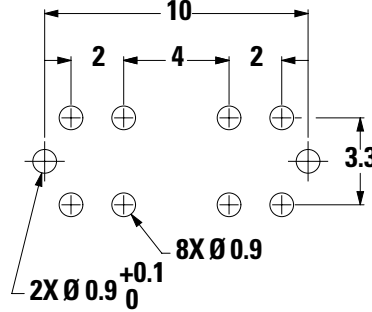


### PC Thru-hole

JS207011CQNR DP3T shown in position B

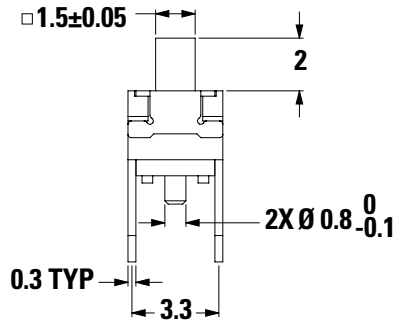
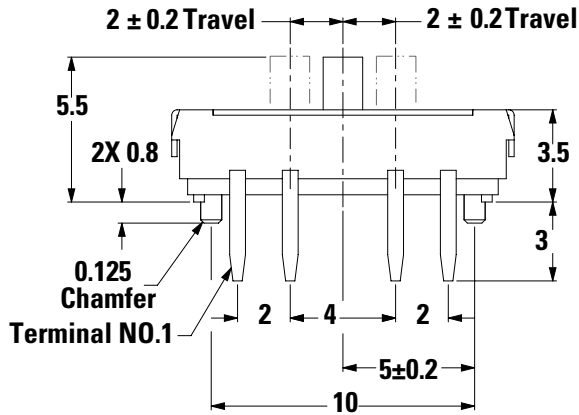


Shown in POS. B



Circuit Diagram C: Common Pin Bottom View

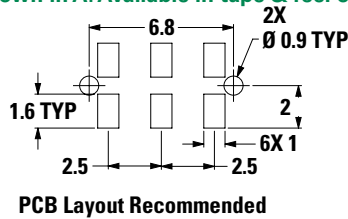
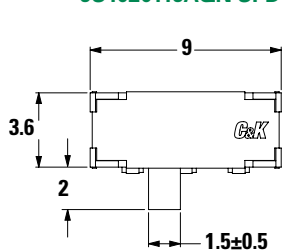
PC Mount - Tolerance  $\pm .05$



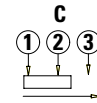
Switch Function		
POS.c C&K →	POS.b C&K →	POS.a C&K →
(MOM)	On	
Connected Terminals		
1-3, 5-7	2-3, 6-7	3-4, 7-8

### Right Angle Surface Mount

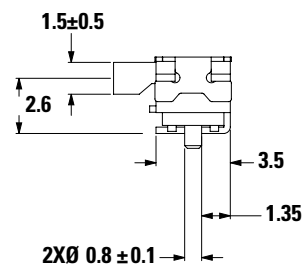
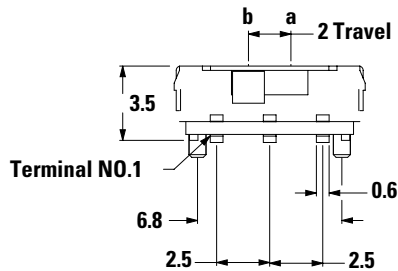
JS102011JAQN SPDT Shown in A. Available in tape & reel only



PCB Layout Recommended



Circuit Diagram C: Common Pin Bottom View



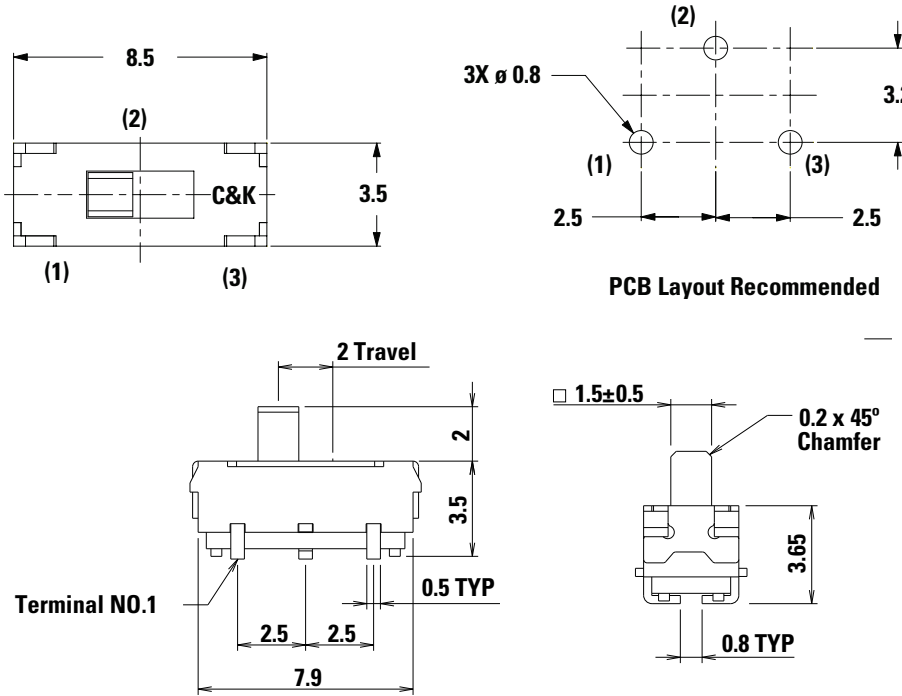
# JS Series

## Sub-Miniature Slide Switches



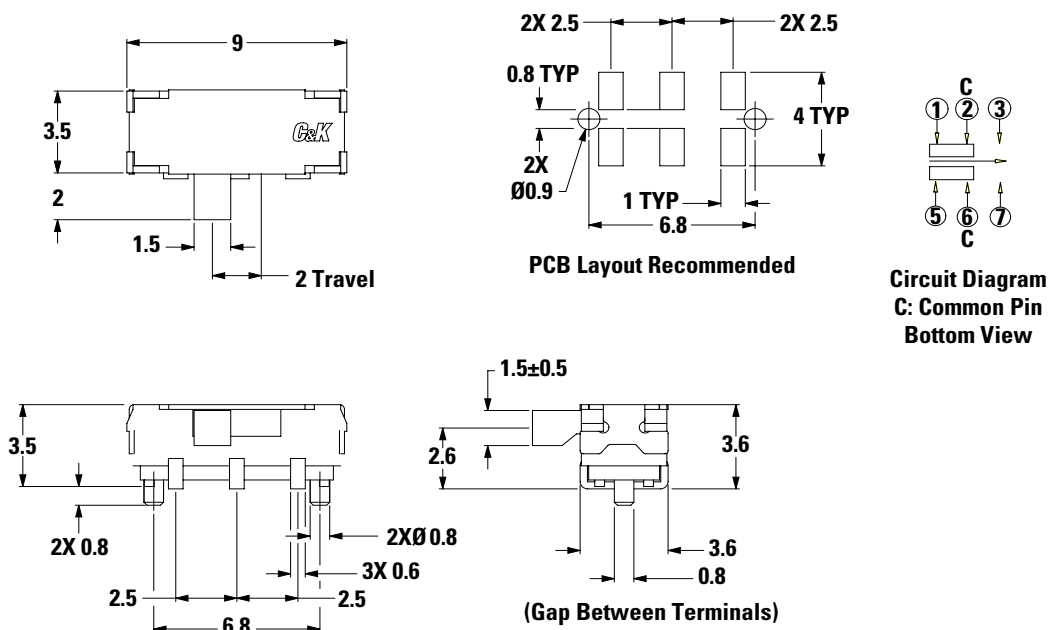
### Vertical Mount SMT - J Bend

JS102011JCQN SPDT. Available in tape & reel only



### Right Angle Surface Mount

JS202011JAQN DPDT Shown in Position A. Available in tape & reel only

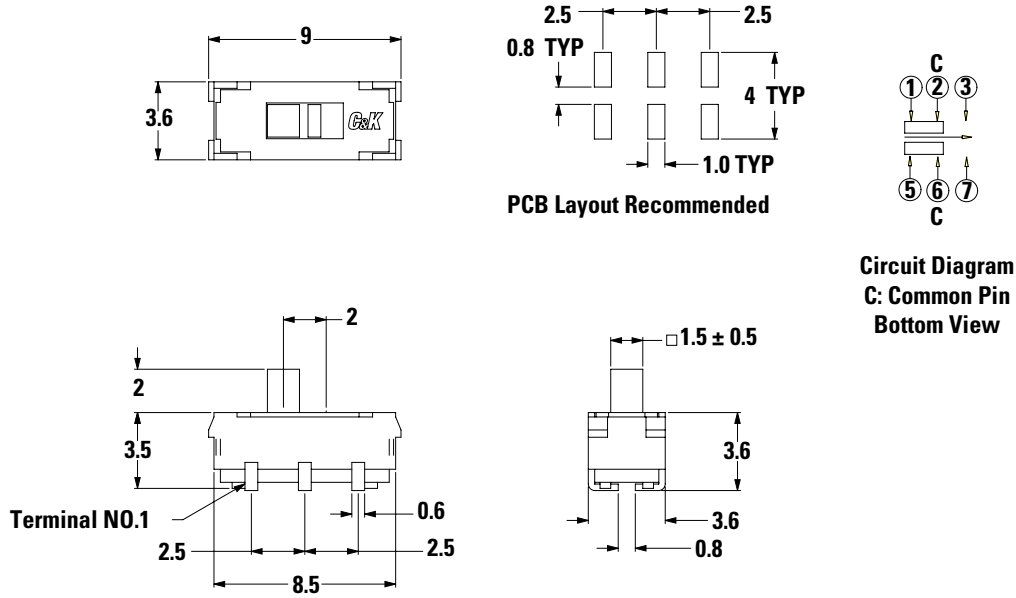


# JS Series

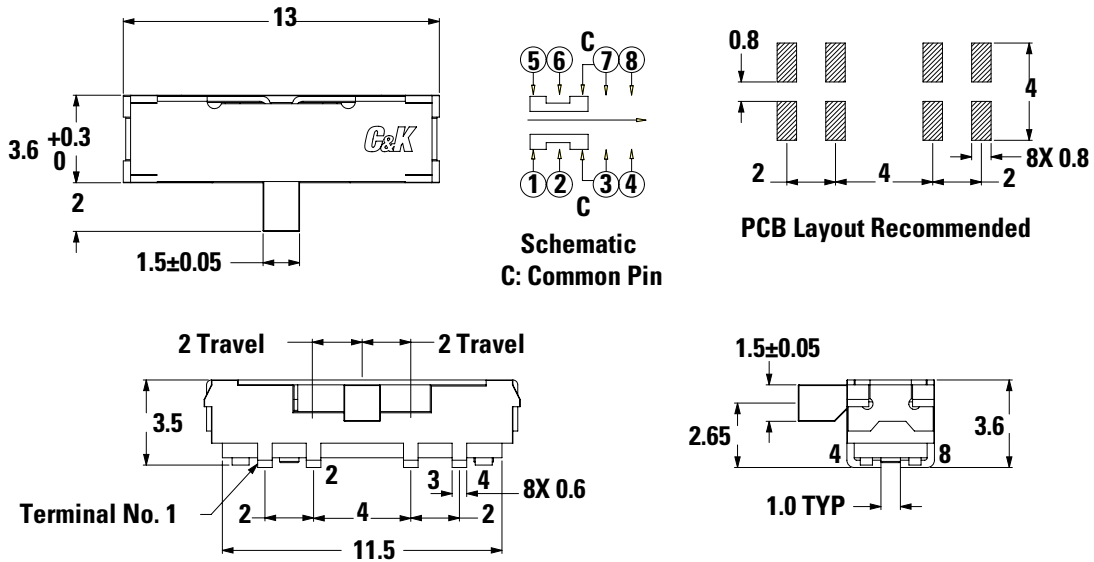
## Sub-Miniature Slide Switches



**Vertical Mount SMT - J Bend**  
**JS202011JCQN DPDT Shown in position B. Available in tap & reel only**



**Right Angle Mount SMT - J Bend**  
**JS203011JAQN DP3T Shown in position B. Available in tape & reel only**



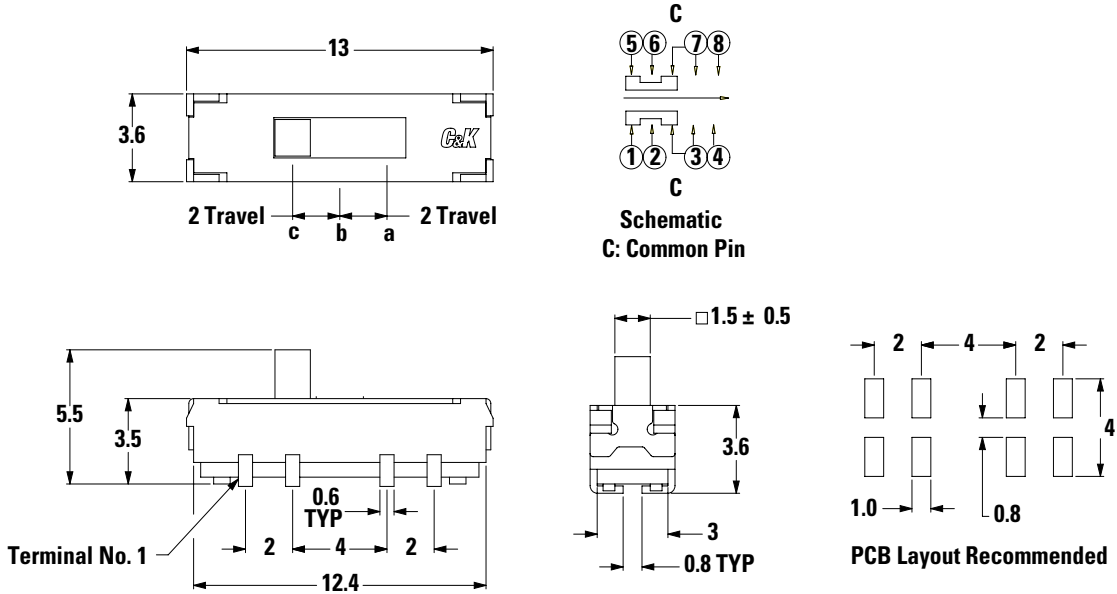
# JS Series

## Sub-Miniature Slide Switches



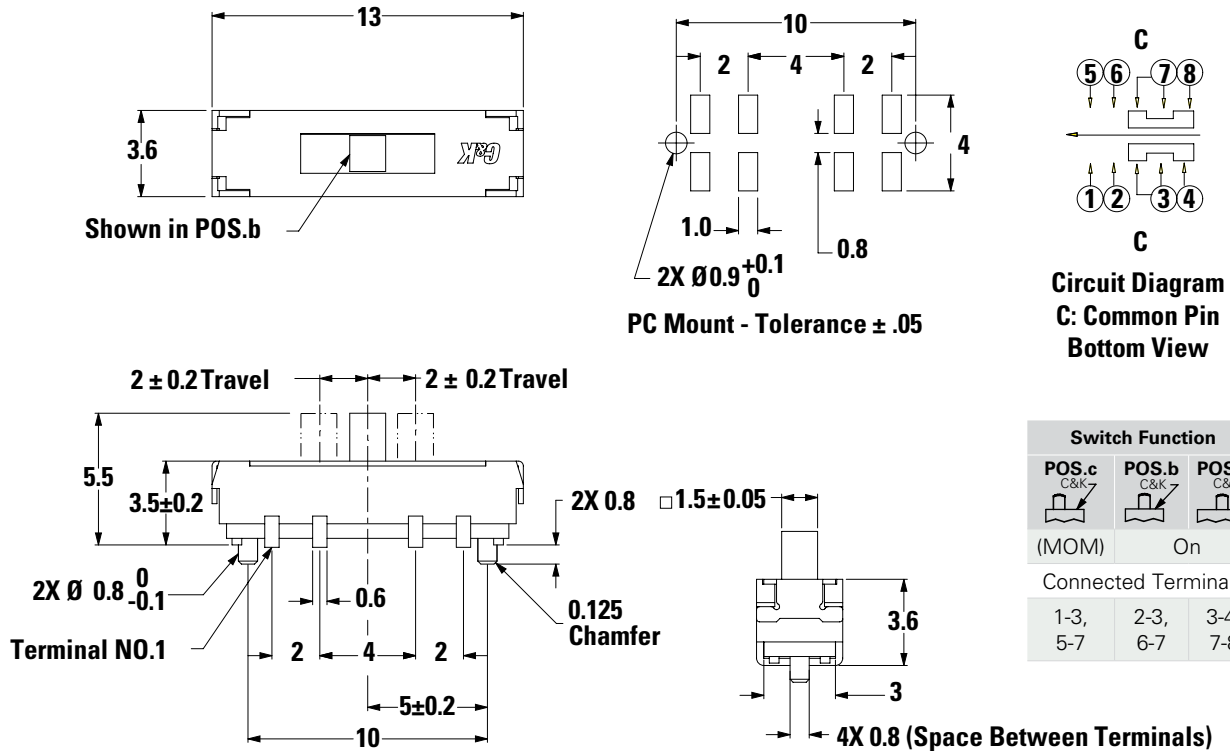
### Vertical Mount SMT - J Bend

JS203011JCQN DP3T Shown in position B. Available in tape & reel only



### Surface Mount - J Bend

JS207011JCQNR DP3T. Available in tape & reel only

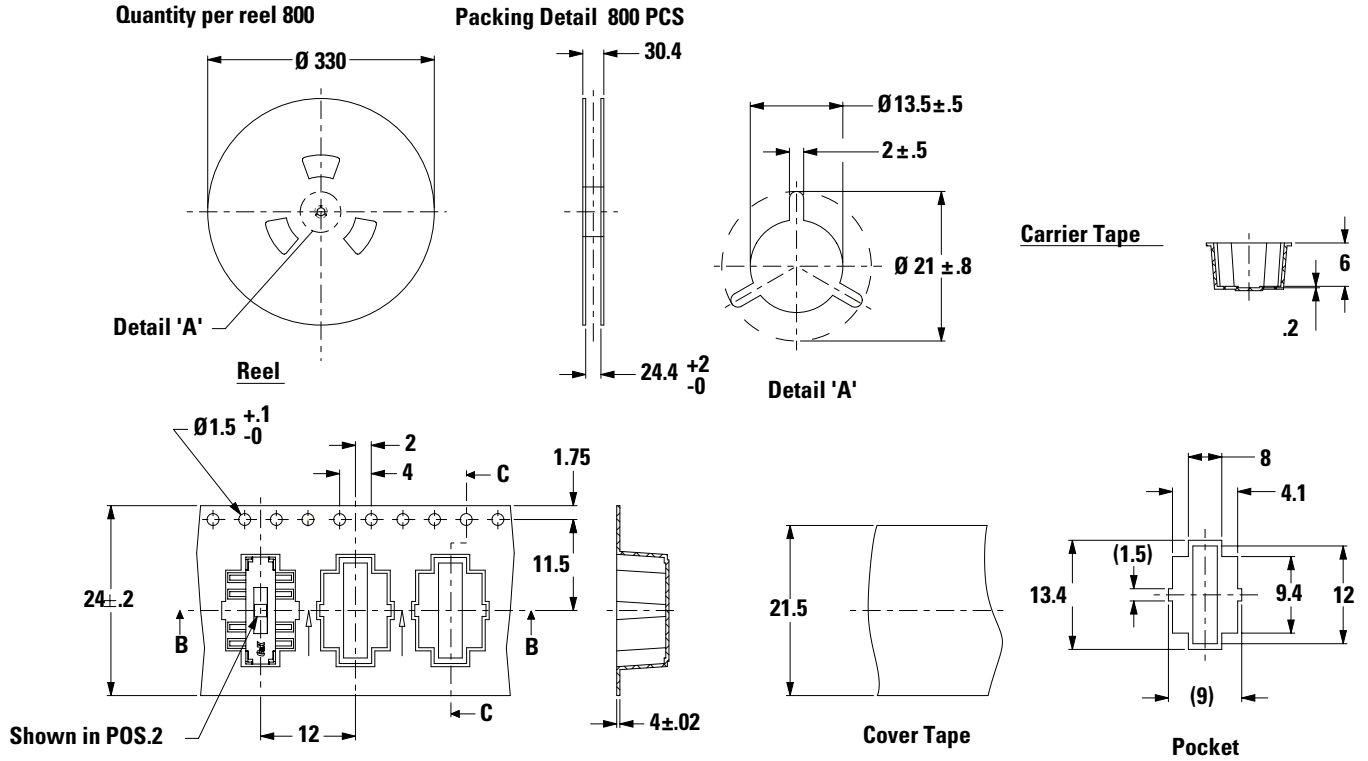


# JS Series

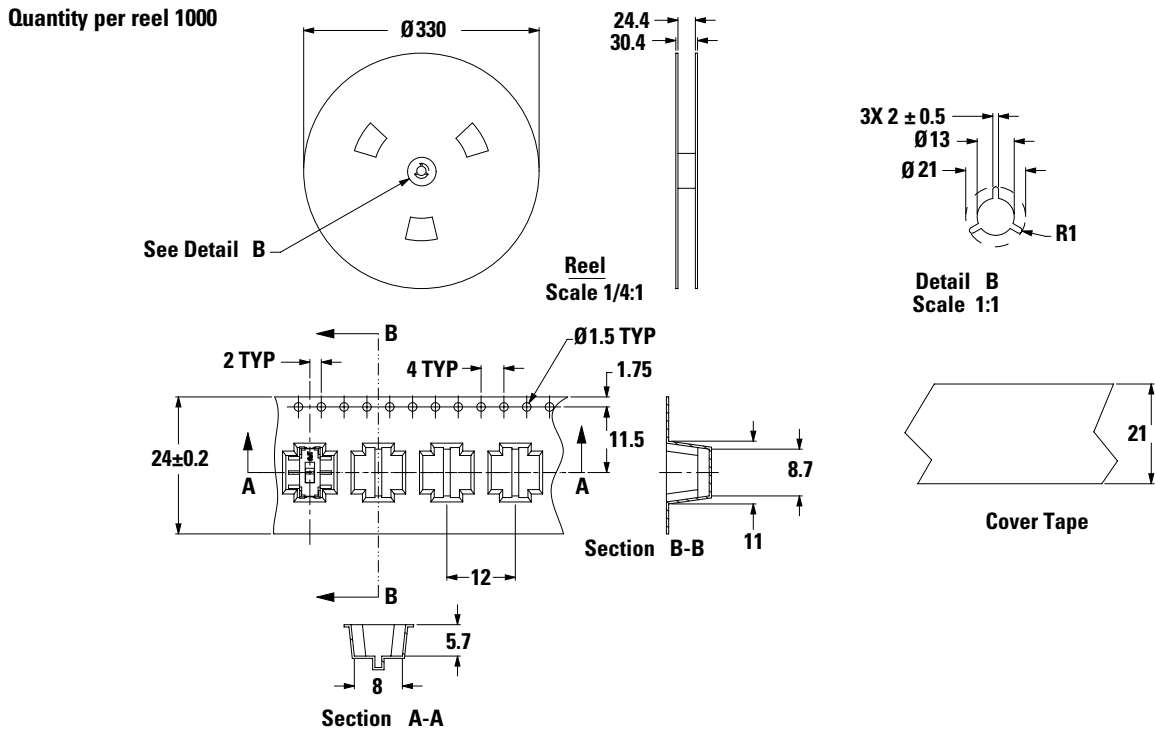
## Sub-Miniature Slide Switches



### Tape and Reel for Part Number JS207011SCQNR, JS207011JCQNR



### Tape and Reel for Part Number JS202011SCQN

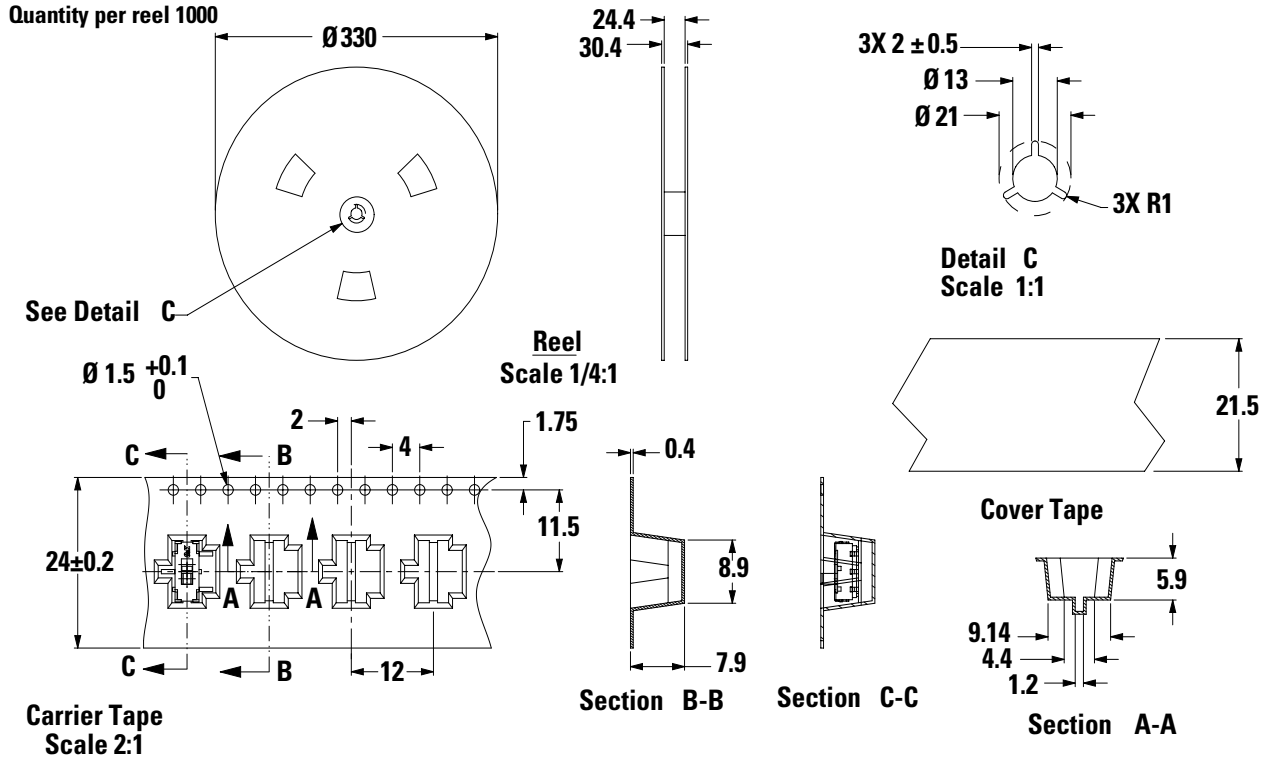


# JS Series

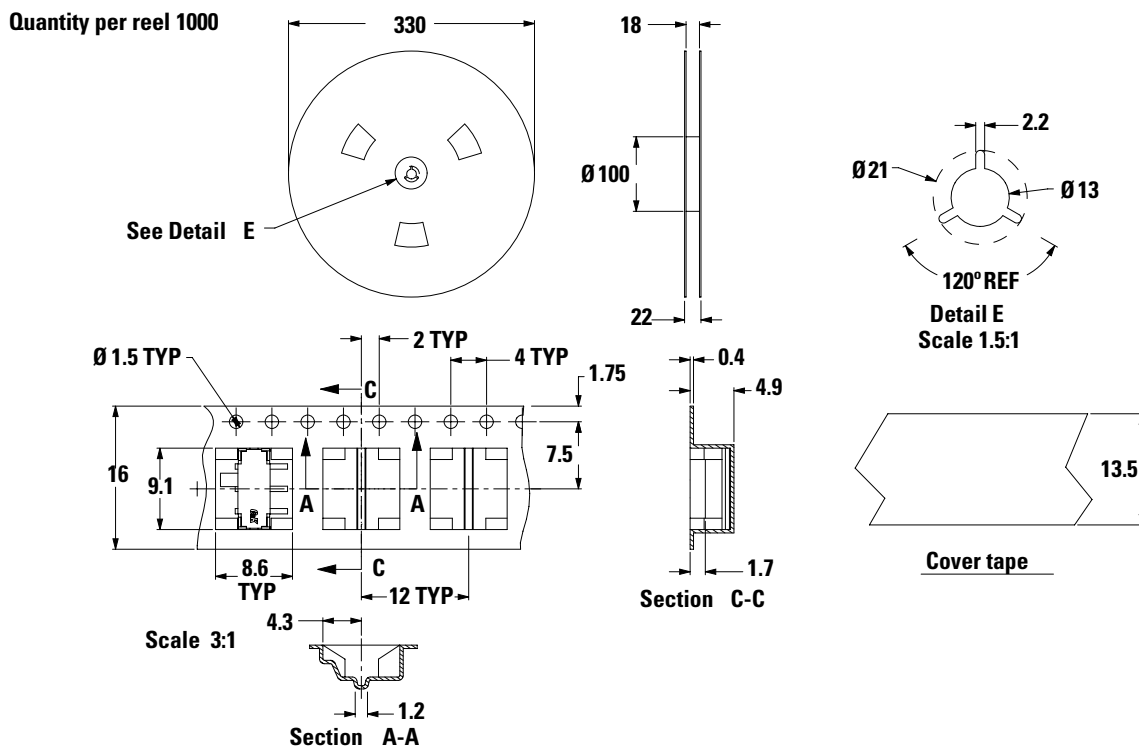
## Sub-Miniature Slide Switches



Tape and Reel for Part Number JS102011SCQN, JS102011JCQN



Tape and Reel for Part Number JS102011SAQN, JS102011JAQN

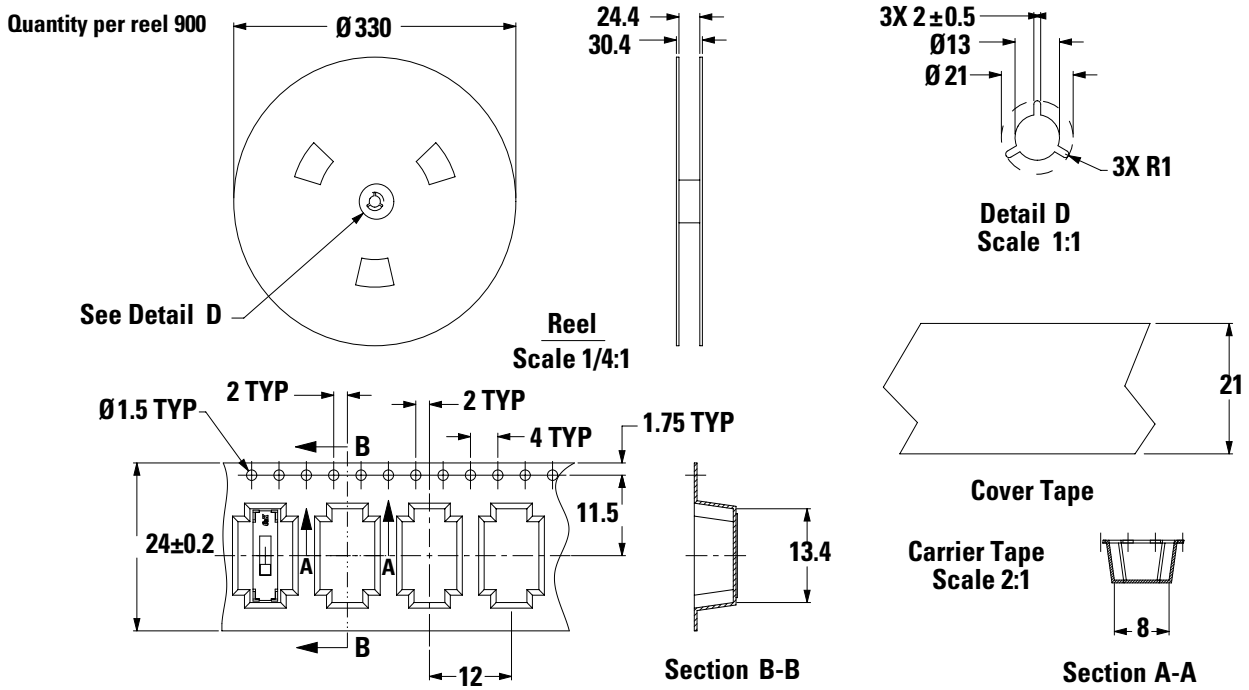


# JS Series

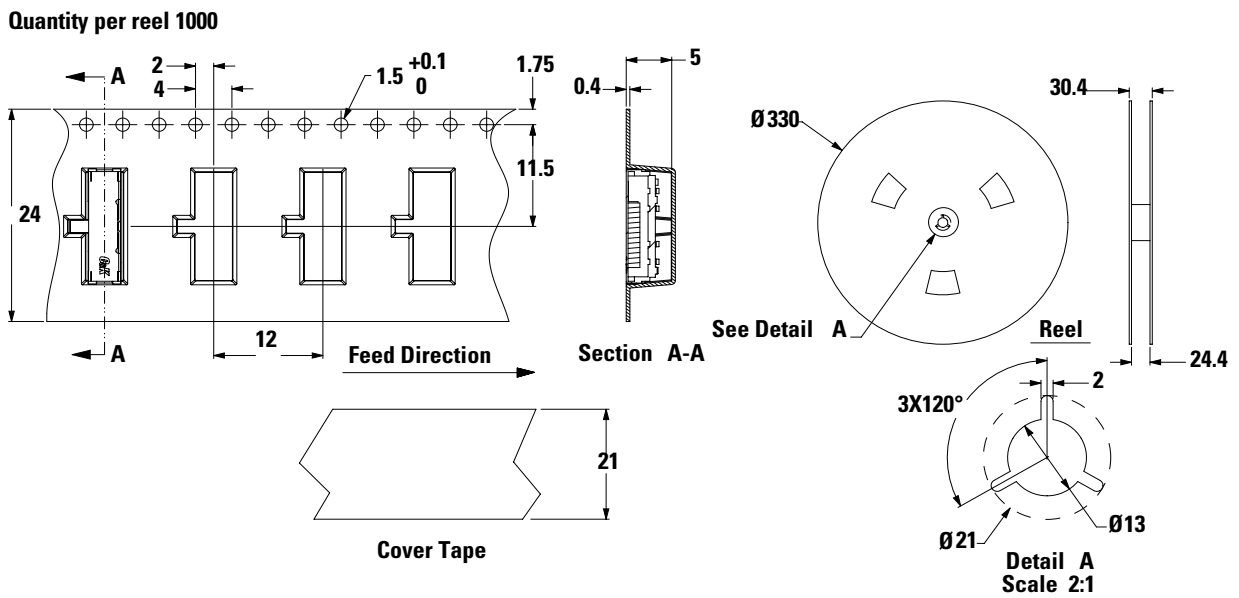
## Sub-Miniature Slide Switches



**Tape and Reel for Part Number JS203011SCQN, JS203011JCQN**



**Tape and Reel for Part Number JS203011JAQN**



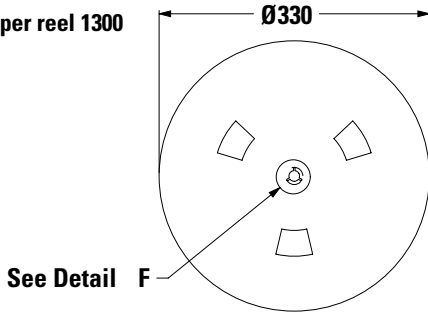
# JS Series

## Sub-Miniature Slide Switches

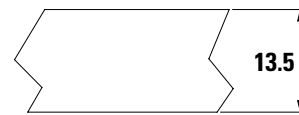
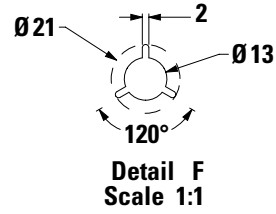
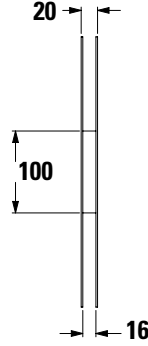


### Tape and Reel for Part Number JS202011JCQN

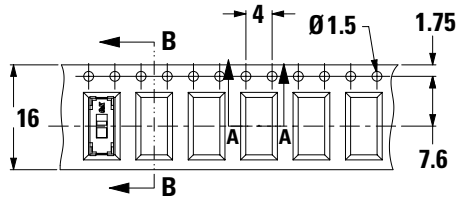
Quantity per reel 1300



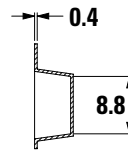
Reel  
Scale 1/4:1



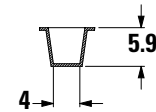
Cover Tape



Carrier Tape  
Scale 2:1



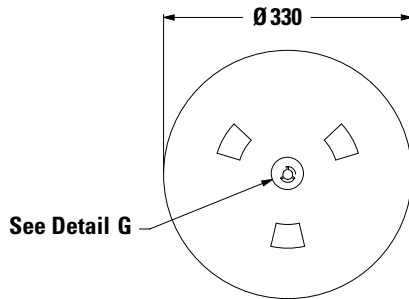
Section B-B



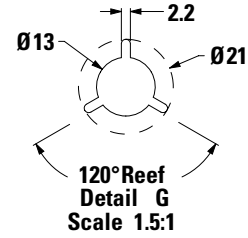
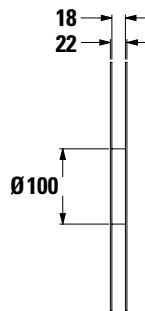
Section A-A

### Tape and Reel for Part Number JS202011JAQN

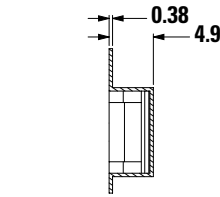
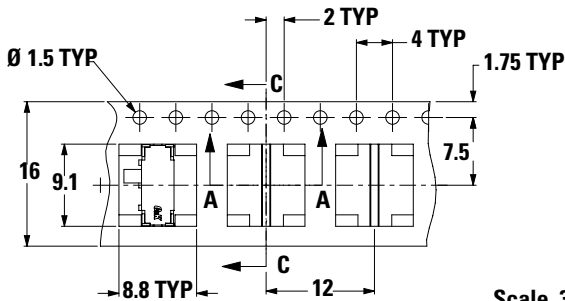
Quantity per reel 1000



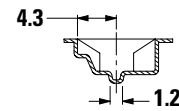
See Detail G



Cover Tape



Scale 3:1 Section C-C



Section A-A

# JS Series

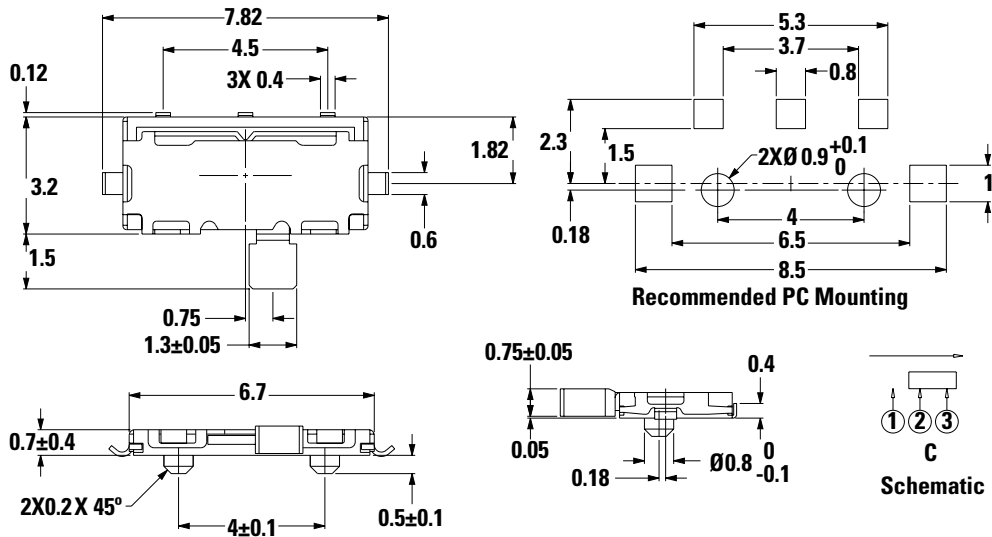
## Sub-Miniature Slide Switches



**Right Angle Surface Mount**  
**Low Profile 0.028 ± 0.004 (0.7±0.1) High**  
**JS102000SAQN SPDT**

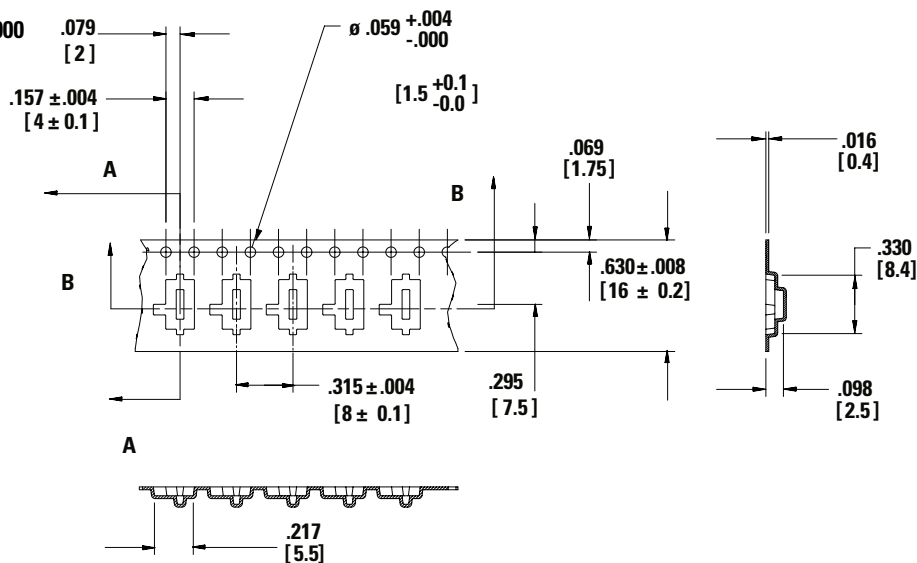
### Specifications

<b>Contact Rating</b>	5 VDC @ 1 mA
<b>Electrical Life</b>	15,000 cycles
<b>Contact Resistance</b>	<100 m ohms (initial) <200 m ohms (after processing)
<b>Insulation Resistance</b>	100 m ohms @500 VDC
<b>Dielectric Strength</b>	250 VAC.
<b>Operating Temperature</b>	-40°C to 85°C



### Tape and Reel for Part Number JS102000SAQN

Quantity per reel 4000



**Disclaimer Notice** - Information furnished is believed to be accurate and reliable. However, users should independently evaluate the suitability of and test each product selected for their own applications. Littelfuse products are not designed for, and may not be used in, all applications. Read complete Disclaimer Notice at <http://www.littelfuse.com/disclaimer-electronics>.

## OUR CERTIFICATE

DiGi provide top-quality products and perfect service for customer worldwide through standardization, technological innovation and continuous improvement. DiGi through third-party certification, we strictly control the quality of products and services. Welcome your RFQ to

Email: [Info@DiGi-Electronics.com](mailto:Info@DiGi-Electronics.com)



Tel: +00 852-30501935

RFQ Email: [Info@DiGi-Electronics.com](mailto:Info@DiGi-Electronics.com)

DiGi is a global authorized distributor of electronic components.