

# KSC241GLFS Datasheet



DiGi Electronics Part Number	KSC241GLFS-DG
Manufacturer	C&K
Manufacturer Product Number	KSC241GLFS
Description	SWITCH TACTILE SPST-NO 0.05A 32V
Detailed Description	Tactile Switch SPST-NO Top Actuated Surface Mount

<https://www.DiGi-Electronics.com>

This model KSC241GLFS is available at DiGi Electronics.

DiGi Electronics offers a global database of semiconductor and electronic component datasheets.

We welcome your inquiries regarding pricing, lead time, or other product-related questions.

 [Request a Quote](#)

 [Datasheet Search](#)



Tel: +00 852-30501935

RFQ Email: [Info@DiGi-Electronics.com](mailto:Info@DiGi-Electronics.com)

DiGi is a global authorized distributor of electronic components.

## Purchase and inquiry

Manufacturer Product Number:

KSC241GLFS

Series:

KSC

Circuit:

SPST-NO

Contact Rating @ Voltage:

0.05A @ 32VDC

Mounting Type:

Surface Mount

Actuator Length, Right Angle:

-

Termination Style:

Gull Wing

Illumination:

Non-Illuminated

Illumination Voltage (Nominal):

-

Ingress Protection:

IP67 - Dust Tight, Waterproof

Operating Temperature:

-40°C ~ 85°C

Switch Travel:

0.50mm

Base Product Number:

KSC241

Manufacturer:

C&K

Product Status:

Active

Switch Function:

Off-Mom

Actuator Type:

Standard

Actuator Height off PCB, Vertical:

3.50mm

Actuator Orientation:

Top Actuated

Outline:

6.20mm x 6.20mm

Illumination Type, Color:

-

Operating Force:

350gf

Features:

-

Actuator Material:

-

Mechanical Life:

300,000 Cycles

## Environmental & Export classification

RoHS Status:

ROHS3 Compliant

REACH Status:

REACH Unaffected

HTSUS:

8536.50.9031

Moisture Sensitivity Level (MSL):

1 (Unlimited)

ECCN:

EAR99

## KSC2 Series

Sealed Tactile Switch for SMT 6.2 x 6.2 mm,  
with 3.5mm Height Soft Actuator



### Description

The KSC2 series of sealed tactile switches for SMT are IP67 rated, 3.5mm high momentary action tactile switches, featuring a soft actuator. The switches are available with a variety of operating forces and in a range of electrical lifespans, depending on model. The KSC2 series are designed to give users a positive adaptable tactile feeling, perfect for consumer-facing applications.

### Features & Benefits

- Electrical Height for easier integration due to more precise tolerances
- Soft actuator 3.5mm high
- IP67
- Compatible with lead free reflow soldering process of SMT devices
- Low halogen, RoHS and REACH compliant

### Applications

- Industrial electronics
- Consumer products
- Transportation
- Medical

### Specifications

<b>Function</b>	Momentary action
<b>Contact Arrangement</b>	1 make contact = SPST, N.O.
<b>Terminals</b>	J bend & Gullwing type for SMT
<b>Sealing</b>	IP67

**Note:** Specifications listed above are for switches with standard options. For information on specific and custom switches, consult Customer Service Center.

### Electrical Characteristics

<b>Dielectric Strength (50 Hz, 1 min.)</b>	≥ 250 Vrms	
<b>Contact Resistance</b>	≤ 100mΩ	
<b>Insulation Resistance (100 V)</b>	≥ 1000 M Ω	
<b>Bounce Time</b>	≤ 1 ms	
	<b>Silver</b>	<b>Gold</b>
<b>Maximum Power</b>	1 VA	0.2 VA
<b>Maximum Voltage</b>	32 VDC	32 VDC
<b>Minimum Voltage</b>	20 mV	20 mV
<b>Maximum Current</b>	50 mA	10 mA
<b>Minimum Current</b>	1 mA <sup>1</sup>	0.1 mA

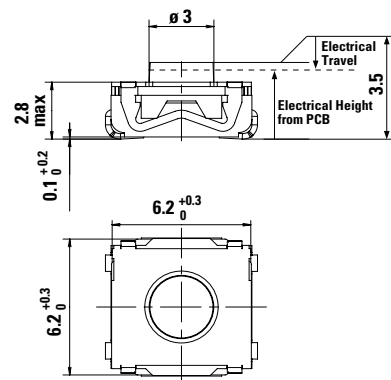
**Note:**

1. Ultra low current with 10 μA - 1 VDC version is available upon request

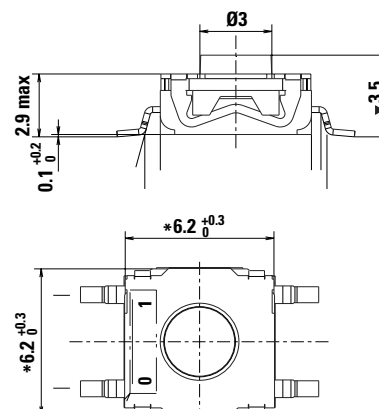
### Environmental Characteristics

	<b>Silver</b>	<b>Gold</b>
<b>Operating Temperature</b>	-40°C to 85°C	-40°C to 125°C
<b>Storage Temperature</b>	-55°C to 85°C	-55°C to 125°C

### Dimensions (mm) J Termination

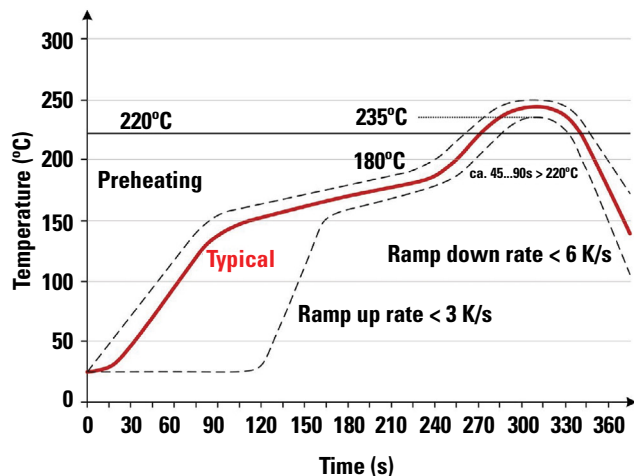


### Dimensions (mm) G Termination



**KSC2 Series**Sealed Tactile Switch for SMT 6.2 x 6.2 mm,  
with 3.5mm Height Soft Actuator**Mechanical Characteristics**

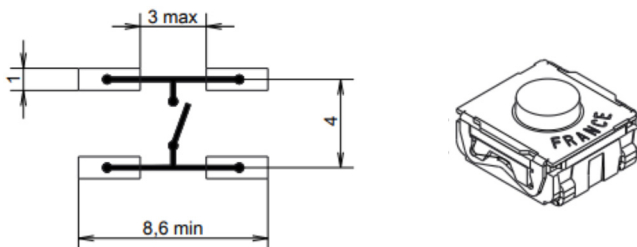
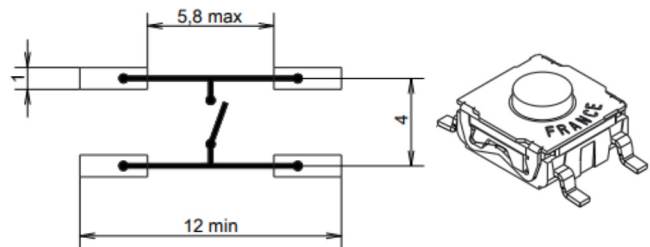
Part #	Operating Force Fa (Newtons)	Operating Life (operations)	G Terminations	J Terminations	
			Electrical Travel (mm)	Electrical Travel for information only (mm)	Electrical Height from PCB (mm)
KSC201	1.6 ± 0.6	5,000,000	0.3 ± 0.2	0.3	3.35 ± 0.2
KSC221	2 ± 0.5	500,000	0.35+0.25/-0.15	0.25	3.25 ± 0.2
KSC222	2 ± 0.5	1,000,000	0.35+0.25/-0.15	0.35	3.25 ± 0.2
KSC241	3.5 ± 0.9	300,000	0.5 ± 0.2	0.5	3 ± 0.2
KSC241 SP DELTA	3.55 ± 0.9	300,000	0.5 ± 0.2	0.4	3.1 ± 0.2
KSC251	5.55 ± 1.45	300,000	0.5 ± 0.2	0.5	2.95 ± 0.2
KSC251 SP DELTA	6.2 ± 1.55	100,000	0.6 ± 0.2	0.55	2.95 ± 0.2

**Soldering Profile**

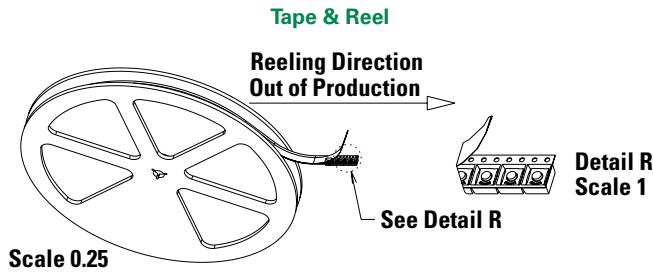
Note: Up to 2 reflow cycles in accordance with the above temperature profile

Soldering process: Depending on the application, this component is suited to the following methods:

- Terminals being silver or gold plated over a nickel barrier, the use of slightly activated flux is suitable.
- Lead free soldering process in accordance with the definition on the left.

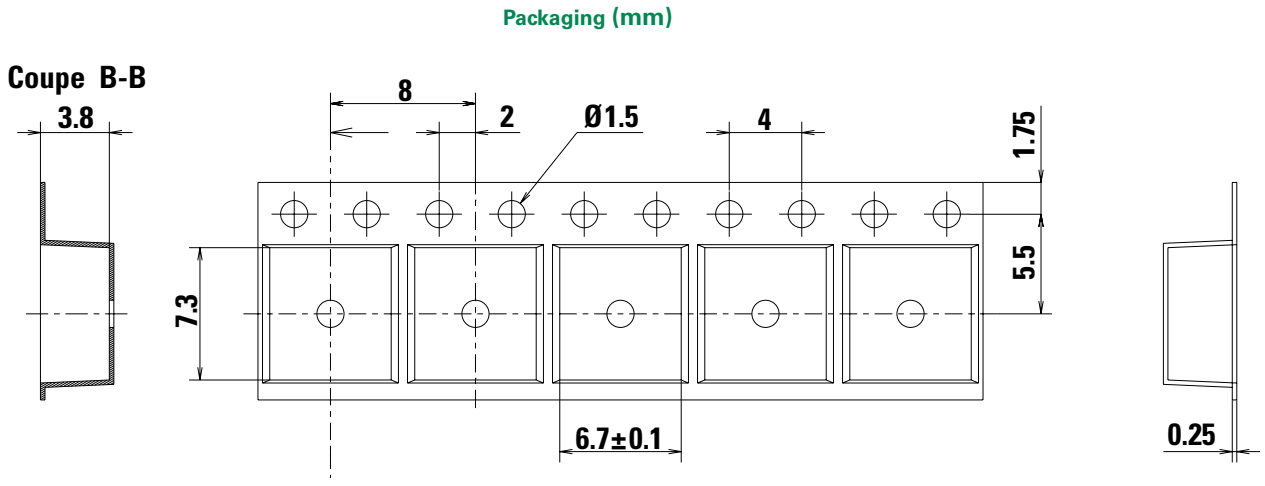
**J Terminations (mm)****G Terminations (mm)**

**KSC2 Series**  
Sealed Tactile Switch for SMT 6.2 x 6.2 mm,  
with 3.5mm Height Soft Actuator



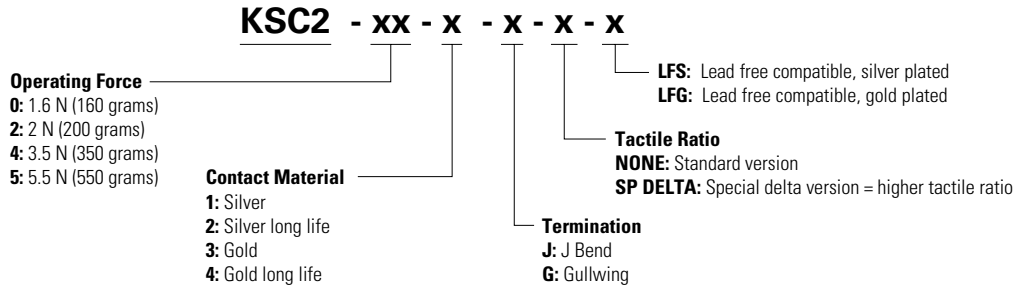
**Packaging Details**

Type	Tape & reel
Number of Parts in Packaging	2,000
Other Information	Tape and reel per EIA 481
Transport Conditions	According to specification NF H00-060



**Ordering Number**

Our easy build-a-switch concept allows you to mix and match options to create the switch you need. To order, select desired option from each category. However, please note that not all combinations of these options are feasible. For any part number different from those listed below, please consult your local representative.



**Liability Limitation**

This datasheet does not provide enough information for applications that require a certain level of quality or safety such as automotive, medical systems, or safety equipment. Please contact customer service for the contractual specification package.

**Disclaimer Notice** - Information furnished is believed to be accurate and reliable. However, users should independently evaluate the suitability of and test each product selected for their own applications. Littelfuse products are not designed for, and may not be used in, all applications. Read complete Disclaimer Notice at <http://www.littelfuse.com/disclaimer-electronics>.



## OUR CERTIFICATE

DiGi provide top-quality products and perfect service for customer worldwide through standardization, technological innovation and continuous improvement. DiGi through third-party certification, we stricly control the quality of products and services. Welcome your RFQ to

Email: [Info@DiGi-Electronics.com](mailto:Info@DiGi-Electronics.com)



Tel: +00 852-30501935

RFQ Email: [Info@DiGi-Electronics.com](mailto:Info@DiGi-Electronics.com)

DiGi is a global authorized distributor of electronic components.