

KSC641GLFS Datasheet



<https://www.DiGi-Electronics.com>

DiGi Electronics Part Number	KSC641GLFS-DG
Manufacturer	C&K
Manufacturer Product Number	KSC641GLFS
Description	SWITCH TACTILE SPST-NO 0.05A 32V
Detailed Description	Tactile Switch SPST-NO Top Actuated Surface Mount

This model KSC641GLFS is available at DiGi Electronics.

DiGi Electronics offers a global database of semiconductor and electronic component datasheets.

We welcome your inquiries regarding pricing, lead time, or other product-related questions.

 [Request a Quote](#)

 [Datasheet Search](#)



Tel: +00 852-30501935

RFQ Email: Info@DiGi-Electronics.com

DiGi is a global authorized distributor of electronic components.

Purchase and inquiry

Manufacturer Product Number:

KSC641GLFS

Series:

KSC

Circuit:

SPST-NO

Contact Rating @ Voltage:

0.05A @ 32VDC

Mounting Type:

Surface Mount

Actuator Length, Right Angle:

-

Termination Style:

Gull Wing

Illumination:

Non-Illuminated

Illumination Voltage (Nominal):

-

Ingress Protection:

IP67 - Dust Tight, Waterproof

Operating Temperature:

-40°C ~ 85°C

Switch Travel:

0.40mm

Base Product Number:

KSC641

Manufacturer:

C&K

Product Status:

Active

Switch Function:

Off-Mom

Actuator Type:

Standard

Actuator Height off PCB, Vertical:

7.70mm

Actuator Orientation:

Top Actuated

Outline:

6.20mm x 6.20mm

Illumination Type, Color:

-

Operating Force:

340gf

Features:

-

Actuator Material:

-

Mechanical Life:

300,000 Cycles

Environmental & Export classification

RoHS Status:

ROHS3 Compliant

REACH Status:

REACH Unaffected

HTSUS:

8536.50.9031

Moisture Sensitivity Level (MSL):

1 (Unlimited)

ECCN:

EAR99

KSC6 Series

Sealed Tactile Switch for SMT 6.2 x 6.2 mm,
with 7.7 mm Height Hard Actuator



Description

The KSC6 series of sealed tactile switches for SMT are IP67 rated, 7.7 mm high momentary action tactile switches, featuring a hard actuator. The switches are available with a variety of operating forces and have an operating life of 300,000 cycles. The KSC6 series are designed to give users a positive adaptable tactile feeling, perfect for industrial electronics, consumer products and automotive applications.

Features & Benefits

- Positive adaptable tactile feeling
- Hard actuator 7.7mm high
- IP67
- RoHS and REACH compliant
- Compatible with lead free reflow soldering process of SMT devices
- J and G terminations

Applications

- Industrial electronics
- Consumer products
- Automotive
- Transportation
- Medical

Specifications

Function	Momentary action
Contact Arrangement	1 make contact = SPST, N.O.
Terminals	J bend & Gullwing type for SMT
Sealing	IP67
Packaging	Switches delivered on continuous tape & reels of 950 pieces Dimensions according to EIA RS-481/ IEC 60286-3 standard External diameter 380 ± 2 mm

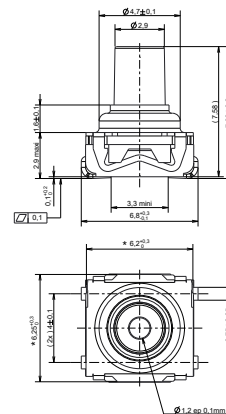
Electrical Characteristics

	Silver	Gold
Max. Power	1 VA	0.2 VA
Max. Voltage	32 VDC	32 VDC
Min. Voltage	20 mV	20 mV
Max. Current	50 mA	10 mA
Min. Current	1 mA*	0.1 mA
Dielectric Strength	(50 Hz, 1 min.): ≥ 250 Vrms	
Contact Resistance	≤ 100 MΩ	
Insulation Resistance	(100 V): ≥ 10M Ω	
Bounce Time	≤ 1 ms	

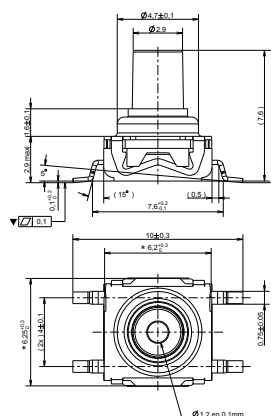
Environmental Characteristics

	Silver	Gold
Operating Temperature	-40°C to 85°C	-40°C to 125°C
Storage Temperature	-55°C to 85°C	-55°C to 125°C

J Dimensions (mm)



G Dimensions (mm)



KSC6 Series

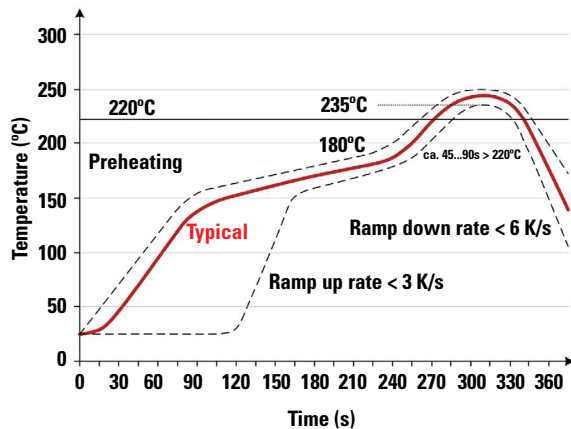
Sealed Tactile Switch for SMT 6.2 x 6.2 mm,
with 7.7 mm Height Hard Actuator



Mechanical Characteristics

Part #	Operating Force FA (Newtons)	Operating Life (operations)	Travel (mm)
KSC621	1.7 ± 0.5	300,000	0.4 ± 0.2
KSC631	2.55 ± 0.65		
KSC641	3.4 ± 0.85		

Soldering Profile

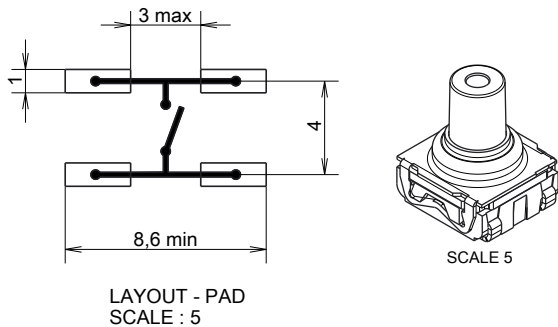


Note: Up to 2 reflow cycles in accordance with the above temperature profile

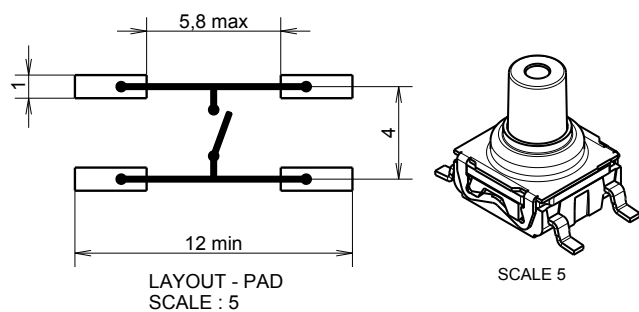
Soldering process: Depending on the application, this component is suited to the following methods:

- Terminals being silver or gold plated over a nickel barrier, the use of slightly activated flux is suitable.
- Lead free soldering process in accordance with the definition on the left.

J Terminations (mm)



G Terminations (mm)

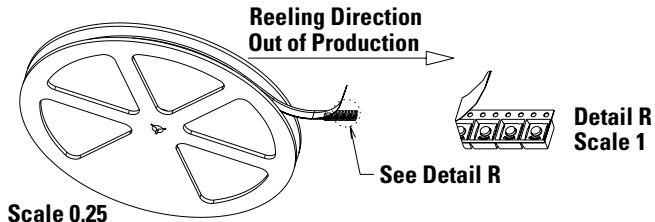


KSC6 Series

Sealed Tactile Switch for SMT 6.2 x 6.2 mm,
with 7.7 mm Height Hard Actuator



Tape & Reel



Packaging Details

Type	Tape & reel
Number of Parts in Packaging	2,000
Other Information	Tape and reel per EIA 481
Transport Conditions	According to specification NF H00-060

Ordering Number

Our easy build-a-switch concept allows you to mix and match options to create the switch you need. To order, select desired option from each category and place it in the appropriate box. For any part number different from those listed below, please consult your local representative.

KSC6 - x - x - x - xxx	
Operating force	LFS Lead free compatible, silver plated
2: 1.7 N (170 grams)	LFG Lead free compatible, gold plated
3: 2.55 N (255 grams)	Termination
4: 3.4 N (340 grams)	J: J Bend
Contact Material	G: Gullwing
1: Silver	
3: Gold	

Liability Limitation

This datasheet does not provide enough information for applications that require a certain level of quality or safety such as automotive, medical systems, or safety equipment. Please contact customer service for the contractual specification package.

Disclaimer Notice - Information furnished is believed to be accurate and reliable. However, users should independently evaluate the suitability of and test each product selected for their own applications. Littelfuse products are not designed for, and may not be used in, all applications. Read complete Disclaimer Notice at <http://www.littelfuse.com/disclaimer-electronics>.

OUR CERTIFICATE

DiGi provide top-quality products and perfect service for customer worldwide through standardization, technological innovation and continuous improvement. DiGi through third-party certification, we strictly control the quality of products and services. Welcome your RFQ to

Email: Info@DiGi-Electronics.com



Tel: +00 852-30501935

RFQ Email: Info@DiGi-Electronics.com

DiGi is a global authorized distributor of electronic components.