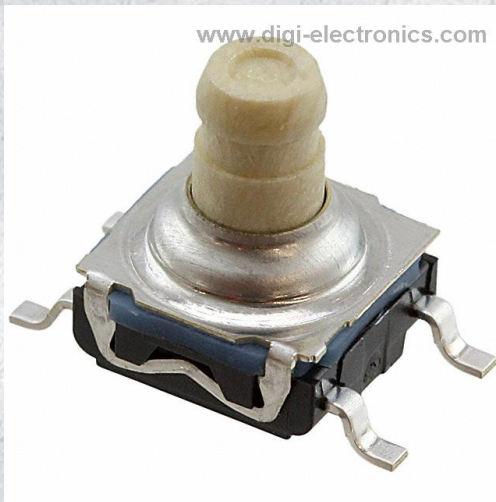


# KSC941G LFS Datasheet



<https://www.DiGi-Electronics.com>

DiGi Electronics Part Number	KSC941G LFS-DG
Manufacturer	<a href="#">C&amp;K</a>
Manufacturer Product Number	KSC941G LFS
Description	SWITCH TACTILE SPST-NO 0.05A 32V
Detailed Description	Tactile Switch SPST-NO Top Actuated Surface Mount

This model KSC941G LFS is available at DiGi Electronics.

DiGi Electronics offers a global database of semiconductor and electronic component datasheets.

We welcome your inquiries regarding pricing, lead time, or other product-related questions.

 [Request a Quote](#)

 [Datasheet Search](#)



Tel: +00 852-30501935

RFQ Email: [Info@DiGi-Electronics.com](mailto:Info@DiGi-Electronics.com)

DiGi is a global authorized distributor of electronic components.

## Purchase and inquiry

Manufacturer Product Number:

KSC941G LFS

Series:

KSC9

Circuit:

SPST-NO

Contact Rating @ Voltage:

0.05A @ 32VDC

Mounting Type:

Surface Mount

Actuator Length, Right Angle:

-

Termination Style:

Gull Wing

Illumination:

Non-Illuminated

Illumination Voltage (Nominal):

-

Ingress Protection:

IP67 - Dust Tight, Waterproof

Operating Temperature:

-40°C ~ 85°C

Switch Travel:

0.40mm

Base Product Number:

KSC941

Manufacturer:

C&K

Product Status:

Active

Switch Function:

Off-Mom

Actuator Type:

Plunger for Cap

Actuator Height off PCB, Vertical:

7.70mm

Actuator Orientation:

Top Actuated

Outline:

6.20mm x 6.20mm

Illumination Type, Color:

-

Operating Force:

340gf

Features:

-

Actuator Material:

-

Mechanical Life:

300,000 Cycles

## Environmental & Export classification

RoHS Status:

ROHS3 Compliant

REACH Status:

REACH Unaffected

HTSUS:

8536.50.9031

Moisture Sensitivity Level (MSL):

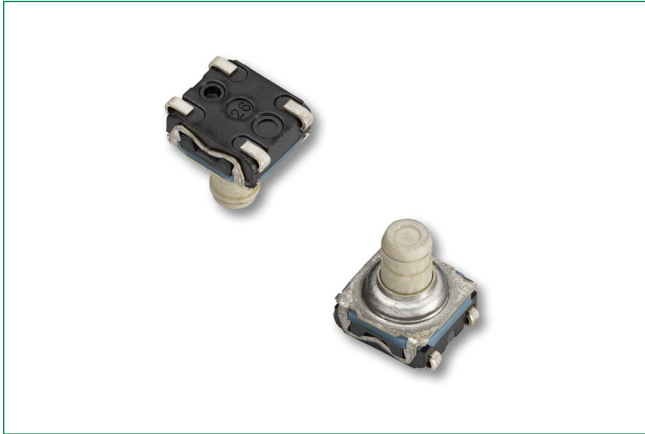
1 (Unlimited)

ECCN:

EAR99

# KSC9 Series

Sealed Tactile Switch for SMT 6.2 x 6.2 mm, with 7.7 mm Height Hard Actuator



## Specifications

<b>Function</b>	Momentary action
<b>Contact Arrangement</b>	1 make contact = SPST, N.O.
<b>Terminals</b>	J bend & Gullwing type for SMT
<b>Sealing</b>	IP67
<b>Packaging</b>	Switches delivered on continuous tape & reels of 950 pieces Dimensions according to EIA RS-481/ IEC 60286-3 standard External diameter 380 ± 2 mm

## Description

The KSC9 series of sealed tactile switches for SMT are IP67 rated, 7.7 mm high momentary action tactile switches, featuring a hard actuator compatible with button. The switches are available with a variety of operating forces depending on model and have a lifespan of 300,000 cycles.

The KSC9 series are designed to give users a positive adaptable tactile feeling, perfect for industrial electronics and consumer, automotive and instrumentation applications

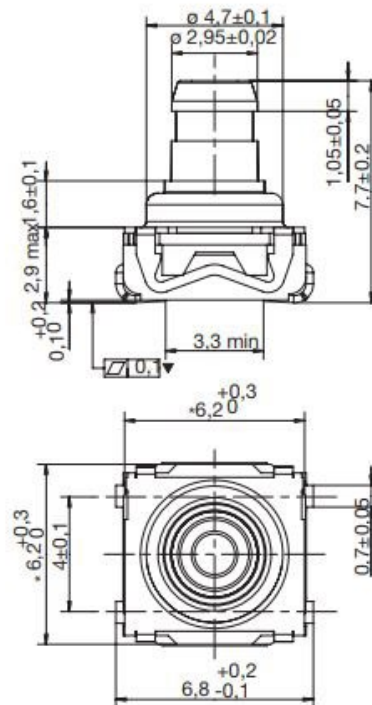
## Features & Benefits

- Positive adaptable tactile feeling
- Hard actuator 7.7mm high
- IP67
- Compatible with lead free reflow soldering process of SMT devices
- RoHS and REACH compliant

## Applications

- Industrial electronics
- Instrumentation
- Transportation
- Consumer

## Dimensions (mm)



# KSC9 Series

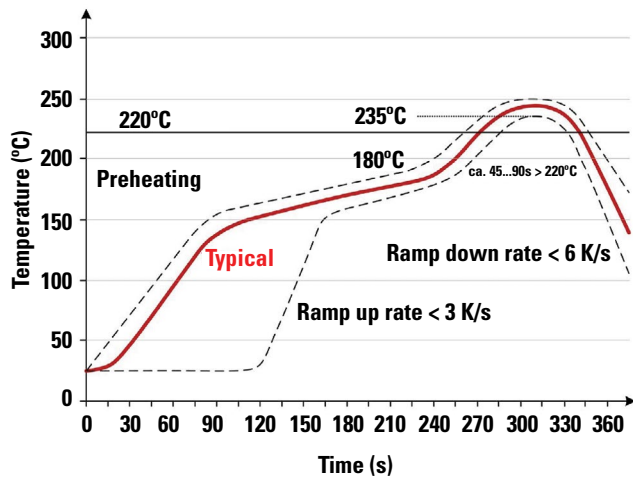
Sealed Tactile Switch for SMT 6.2 x 6.2 mm, with 7.7 mm Height Hard Actuator



## Mechanical Characteristics

Part #	Operating Force FA (Newtons)	Operating Life (operations)	Travel (mm)
KSC921	1.7 ± 0.5	300,000	0.4 ± 0.2
KSC931	2.55 ± 0.65	300,000	0.4 ± 0.2
KSC941	3.4 ± 0.85	300,000	0.4 ± 0.2

## Soldering Profile

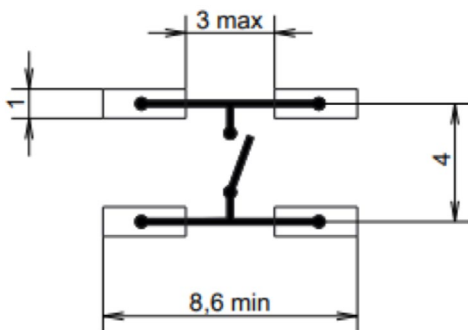


Soldering process: Depending on the application, this component is suited to the following methods:

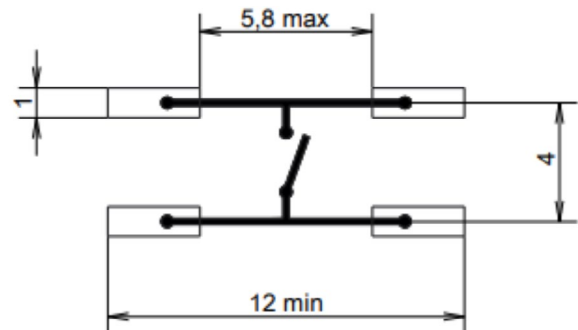
- Terminals being silver or gold plated over a nickel barrier, the use of slightly activated flux is suitable.
- Lead free soldering process in accordance with the definition on the left.

Note: Up to 2 reflow cycles in accordance with the above temperature profile

## J Terminations (mm)



## G Terminations (mm)

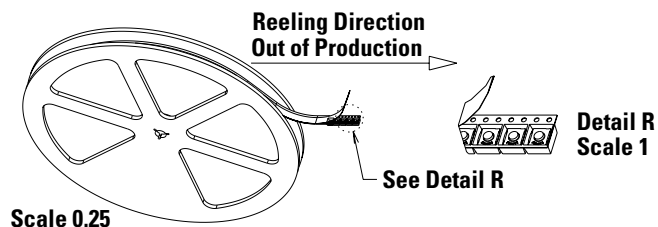


# KSC9 Series

Sealed Tactile Switch for SMT 6.2 x 6.2 mm, with 7.7 mm  
Height Hard Actuator



## Tape & Reel



Scale 0.25

## Packaging Details

Type	Tape & reel
Number of Parts in Packaging	2,000
Other Information	Tape and reel per EIA 481
Transport Conditions	According to specification NF H00-060

## Ordering Number

Our easy build-a-switch concept allows you to mix and match options to create the switch you need. To order, select desired option from each category and place it in the appropriate box. For any part number different from those listed below, please consult your local representative.

### KSC9 - X - X - X - XXX

#### Operating Force

- 2: 1.7 N (170 grams)
- 2: 2.55 N (255 grams)
- 4: 3.4 N (340 grams)

#### Contact Material

- 1: Silver
- 3: Gold

- LFS Lead free compatible, silver plated
- LFG Lead free compatible, gold plated

#### Termination

- J: J Bend
- G: Gullwing

### BTN - KSC9 - X - X

#### Type

- None: 15.4mm height mounted

#### Color

- 20: Light grey
- 40: Red
- 80: White
- 90: Black

## Liability Limitation

This datasheet does not provide enough information for applications that require a certain level of quality or safety such as automotive, medical systems, or safety equipment. Please contact customer service for the contractual specification package.

**Disclaimer Notice** - Information furnished is believed to be accurate and reliable. However, users should independently evaluate the suitability of and test each product selected for their own applications. Littelfuse products are not designed for, and may not be used in, all applications. Read complete Disclaimer Notice at <http://www.littelfuse.com/disclaimer-electronics>.

## OUR CERTIFICATE

DiGi provide top-quality products and perfect service for customer worldwide through standardization, technological innovation and continuous improvement. DiGi through third-party certification, we stricly control the quality of products and services. Welcome your RFQ to

Email: [Info@DiGi-Electronics.com](mailto:Info@DiGi-Electronics.com)



Tel: +00 852-30501935

RFQ Email: [Info@DiGi-Electronics.com](mailto:Info@DiGi-Electronics.com)

DiGi is a global authorized distributor of electronic components.