

KST221GLFS Datasheet

www.digi-electronics.com



<https://www.DiGi-Electronics.com>

DiGi Electronics Part Number	KST221GLFS-DG
Manufacturer	C&K
Manufacturer Product Number	KST221GLFS
Description	SWITCH TACTILE SPST-NO 0.05A 32V
Detailed Description	Tactile Switch SPST-NO Top Actuated Surface Mount

This model KST221GLFS is available at DiGi Electronics.

DiGi Electronics offers a global database of semiconductor and electronic component datasheets.

We welcome your inquiries regarding pricing, lead time, or other product-related questions.

 [Request a Quote](#)

 [Datasheet Search](#)



Tel: +00 852-30501935

RFQ Email: Info@DiGi-Electronics.com

DiGi is a global authorized distributor of electronic components.

Purchase and inquiry

Manufacturer Product Number:	Manufacturer:
KST221GLFS	C&K
Series:	Product Status:
KST	Active
Circuit:	Switch Function:
SPST-NO	Off-Mom
Contact Rating @ Voltage:	Actuator Type:
0.05A @ 32VDC	Standard
Mounting Type:	Actuator Height off PCB, Vertical:
Surface Mount	5.00mm
Actuator Length, Right Angle:	Actuator Orientation:
-	Top Actuated
Termination Style:	Outline:
Gull Wing	6.20mm x 6.20mm
Illumination:	Illumination Type, Color:
Non-Illuminated	-
Illumination Voltage (Nominal):	Operating Force:
-	200gf
Ingress Protection:	Features:
IP40	-
Operating Temperature:	Actuator Material:
-40°C ~ 85°C	Rubber
Switch Travel:	Mechanical Life:
1.30mm	100,000 Cycles
Base Product Number:	
KST22	

Environmental & Export classification

RoHS Status:	Moisture Sensitivity Level (MSL):
ROHS3 Compliant	1 (Unlimited)
REACH Status:	ECCN:
REACH Unaffected	EAR99
HTSUS:	
8536.50.9031	

KST Series

Long Travel Tact Switch for SMT

Features/Benefits

- Rubber actuator
- Silver contact material
- J or G terminals
- Compatible with pick and place machines

- IP40 sealed
- RoHS compliant and compatible

Typical Applications

- Front panel
- Car dashboards
- Telephone set
- Instrumentation



Specification

FUNCTION: Momentary
CONTACT ARRANGEMENT: 1 make contact = SPST N.O.
TERMINALS: J BEND OR GULLWING TYPE FOR SMT

Mechanical

MAXIMUM APPLIED FORCE: 4 KG (4078GF)*
* VALID ONE TIME. MAXIMUM ALLOWED TRAVEL TO AVOID OVERLOAD ISSUES
IS 1.75MM

Type	Operating force Fa N (grams) \pm 30%	Operating life (operations)	Travel to make
KST221G / J	1,6-3,2	100,000	1,3+0,3/-0.2
KST241G / J	2,45-4,55	100,000	1,3+0,3/-0.2

Packaging

Switches are delivered on continuous tape and reels of 1,000 pieces, 330 (12.992) external diameter. Other dimensions according to IEC 60286-3.

This data sheet does not provide enough information for applications which require a certain level of quality or safety such as automotive, medical systems, safety equipment.

Please contact your sales representative to get contractual specification package.

Electrical

SWITCHING POWER MAX.:	1.0 VA	0.2 VA
MAXIMUM POWER:	1.0 VA	0.2 VA
MAXIMUM VOLTAGE:	32 VDC	32 VDC
MINIMUM VOLTAGE:	20 MV	20 MV
MAXIMUM CURRENT:	50 MA	10 MA
MINIMUM CURRENT:	1 MA	1 MA
DIELECTRIC STRENGTH:	\geq 250 Vrms	
CONTACT RESISTANCE:	$<$ 100m Ω	
INSULATION RESISTANCE:	Initial measurement: \geq 1G Ω	
	After damp heat: \geq 10M Ω	
BOUNCE TIME:	$<$ 5 ms	

Environmental

OPERATING TEMPERATURE: -40°C to +85°C (Silver)
-40°C to +125°C (Gold)

STORAGE TEMPERATURE: -40°C to +85°C (Silver)
-40°C to +125°C (Gold)

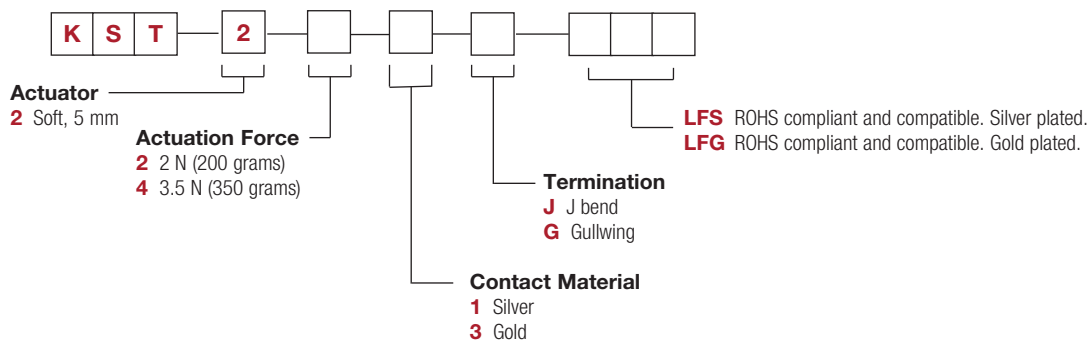
Process

Compatible with the lead free reflow soldering process.

NOTE: Specifications listed above are for switches with standard options. For information on specific and custom switches, consult Customer Service Center.

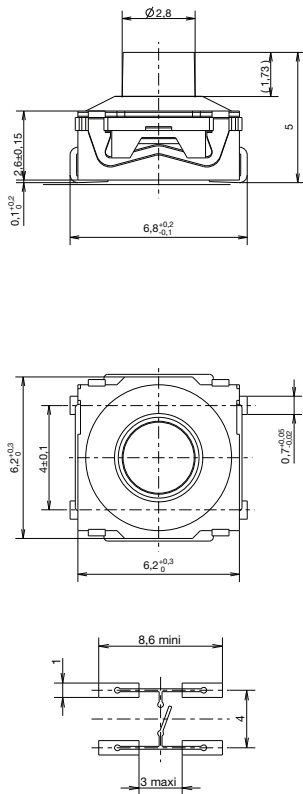
How To Order

Our easy build-a-switch concept allows you to mix and match options to create the switch you need. To order, select desired option from each category and place it in the appropriate box.

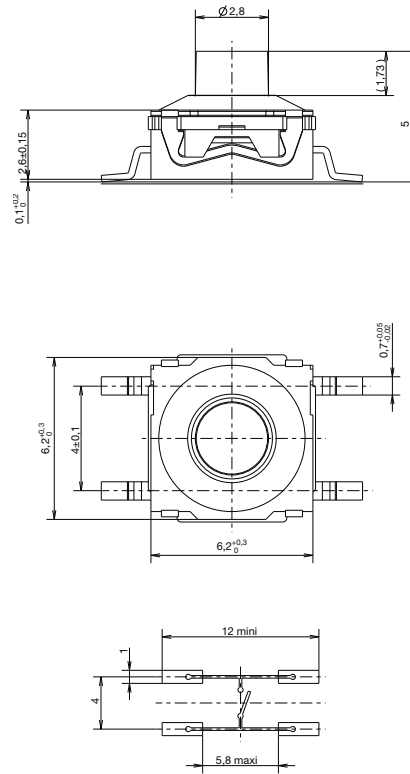


KST Series Long Travel Tact Switch for SMT

J BEND



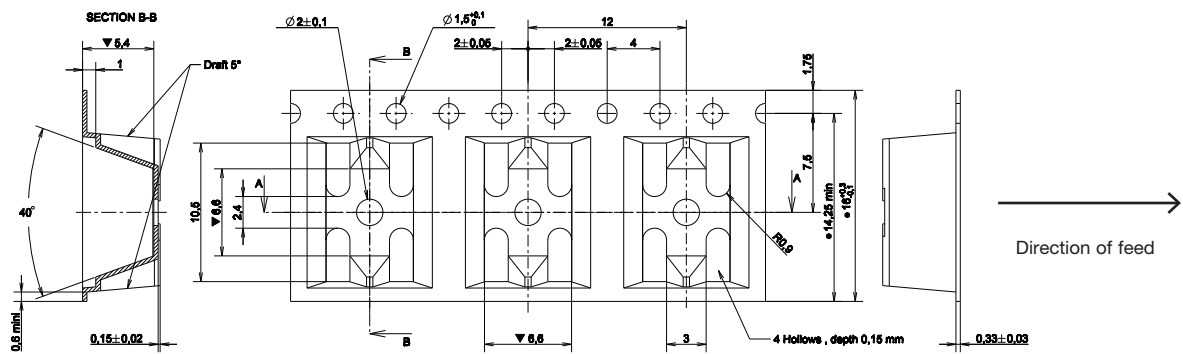
G GULLWING



Tactile Switches

TAPE & REEL

FOR J AND G TERMINATION



OUR CERTIFICATE

DiGi provide top-quality products and perfect service for customer worldwide through standardization, technological innovation and continuous improvement. DiGi through third-party certification, we stricy control the quality of products and services. Welcome your RFQ to

Email: Info@DiGi-Electronics.com



Tel: +00 852-30501935

RFQ Email: Info@DiGi-Electronics.com

DiGi is a global authorized distributor of electronic components.