

TPA511GLFS Datasheet

www.digi-electronics.com



DiGi Electronics Part Number	TPA511GLFS-DG
Manufacturer	C&K
Manufacturer Product Number	TPA511GLFS
Description	SWITCH NAVIGATION DGTL 50MA 24V
Detailed Description	Navigation Switch, 2 - Axis Digital (Mechanical Switch) Output

<https://www.DiGi-Electronics.com>

This model TPA511GLFS is available at DiGi Electronics.

DiGi Electronics offers a global database of semiconductor and electronic component datasheets.

We welcome your inquiries regarding pricing, lead time, or other product-related questions.

 [Request a Quote](#)

 [Datasheet Search](#)



Tel: +00 852-30501935

RFQ Email: Info@DiGi-Electronics.com

DiGi is a global authorized distributor of electronic components.

Purchase and inquiry

Manufacturer Product Number:

TPA511GLFS

Series:

TPA

Type:

Navigation Switch, 2 - Axis

Switch Function:

4-Way Directional, Center Select

Output:

Digital (Mechanical Switch)

Current Rating (Amps):

50mA (DC)

Contact Material:

-

Mounting Type:

Surface Mount

Operating Temperature:

-40°C ~ 85°C

Ingress Protection:

-

Mechanical Life:

200,000 Cycles

Operating Force:

180/400gf

Manufacturer:

C&K

Product Status:

Obsolete

Actuator Type:

Plunger for Cap

Functions, Extra:

-

Voltage - Supply:

-

Voltage Rating - DC:

24 V

Contact Finish:

Silver

Termination Style:

Gull Wing

Panel Cutout Dimensions:

-

Features:

-

Electrical Life:

-

Environmental & Export classification

RoHS Status:

RoHS Compliant

REACH Status:

REACH Unaffected

HTSUS:

8537.10.9170

Moisture Sensitivity Level (MSL):

1 (Unlimited)

ECCN:

EAR99

TPA Series Navigation Tact Switch for SMT



Features/Benefits

- One touch, 5 way switching
- Distinctive tactile feel for scanning and select functions
- Allows panel sealing
- Normally open momentary contacts
- Subminiature overall dimensions
- Push down to select possible in any position

Typical Applications

- Electronic devices requiring direct control on LCD display
- Cellular phones
- PDA
- Digital cameras
- GPS navigation systems
- Home entertainment systems
- Security

Construction

FUNCTION: Multi-directional momentary action
 CONTACT ARRANGEMENT: Make contact = SP, N.O.
 TERMINALS: Gullwing type for SMT

Mechanical

SHAFT DISPLACEMENT:
 Orthogonal 4 horizontal directions
 Vertical Push down
 TRAVEL TO MAKE:
 Scanning
 Orthogonal 0.35 mm±0.15 mm
 Push to select 0.25 mm±0.15 mm
 OPERATING FORCE:
 Scanning Orthogonal 1.85 N ± 0.5 N
 Push to select Vertical 4.0 N ± 0.8 N
 MAXIMUM APPLIED FORCE:
 Horizontal 10 N
 Vertical 40 N
 LIFE EXPECTANCY:
 Scanning 200,000 operations in each direction
 Push to select 200,000 operations

Electrical

	Silver	Gold
MAXIMUM POWER:	1 VA	0.2 VA
MAXIMUM VOLTAGE:	24 V	24 V
MAXIMUM CURRENT DC:	50 mA	10 mA
MINIMUM CURRENT DC:	1 mA	1 mA

DIELECTRIC STRENGTH: 250 VDC
 CONTACT RESISTANCE, INITIAL: ≤ 200 mΩ
 INSULATION RESISTANCE (100 VDC): 10⁹Ω
 BOUNCE TIME: < 10 ms

Environmental

	Silver	Gold
OPERATING TEMPERATURE:	-40°C to 85°C	-40°C to 110°C
STORAGE TEMPERATURE:	-55°C to 85°C	-55°C to 125°C

Process

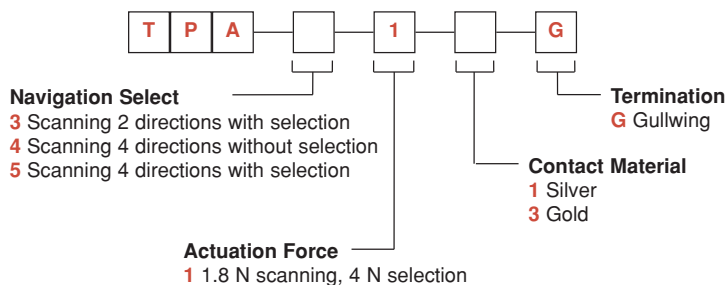
Soldering process: Infrared reflow according to CECC 0802
 No washing
 Hand soldering max. 350° 3S (CEI 68-2-20)

NOTE: Specifications listed above are for switches with standard options.
 For information on specific and custom switches, consult Customer Service Center.

How To Order

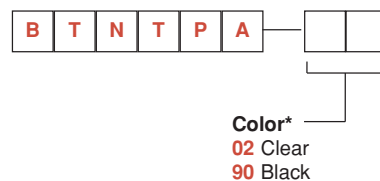
Our easy build-a-switch concept allows you to mix and match options to create the switch you need. To order, select desired option from each category and place it in the appropriate box.

Switch



Button

Buttons ordered separately in bulk, 500 pieces.



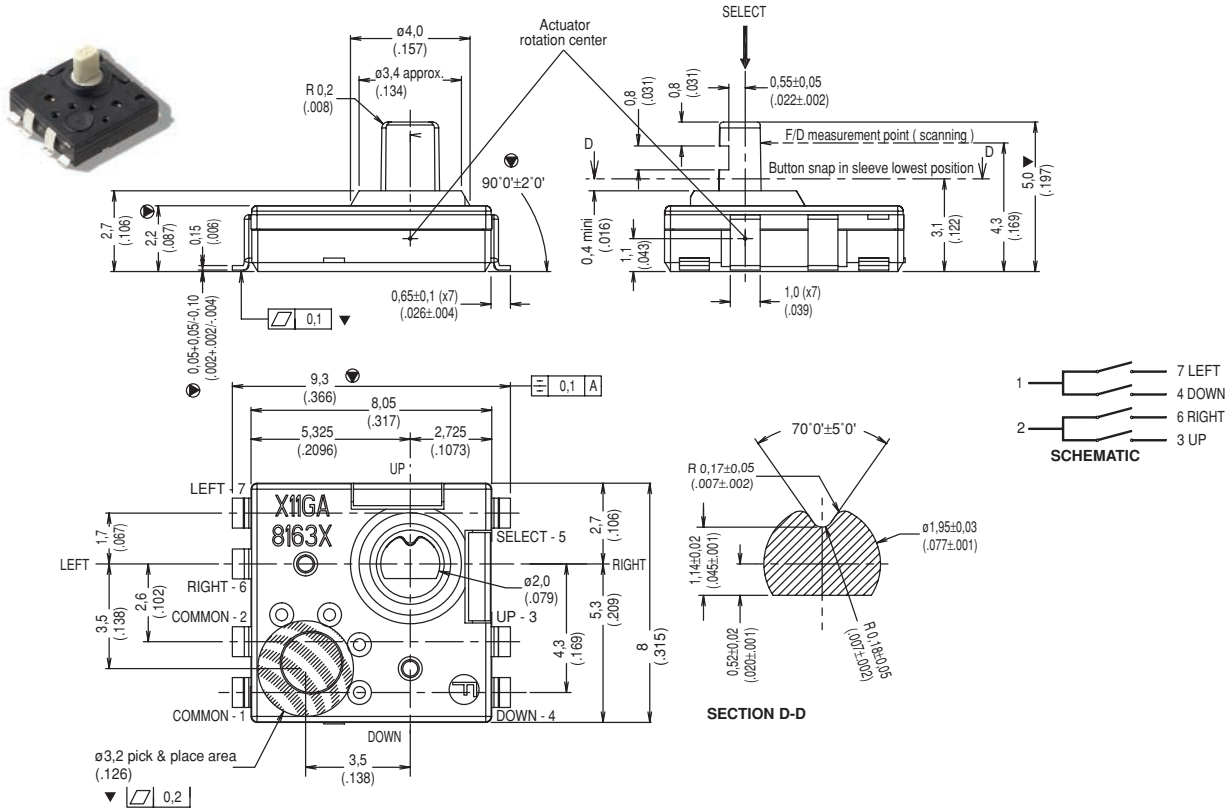
* Other colors by request



TPA Series Navigation Tact Switch for SMT

SERIES

TPA



Navigation

NAVIGATION SELECT

OPTION CODE	ARRANGEMENT
3	Scanning 2 directions with selection
4	Scanning 4 directions without selection
5	Scanning 4 directions with selection

ACTUATION FORCE

1 1.8 N SCANNING, 4 N SELECTION

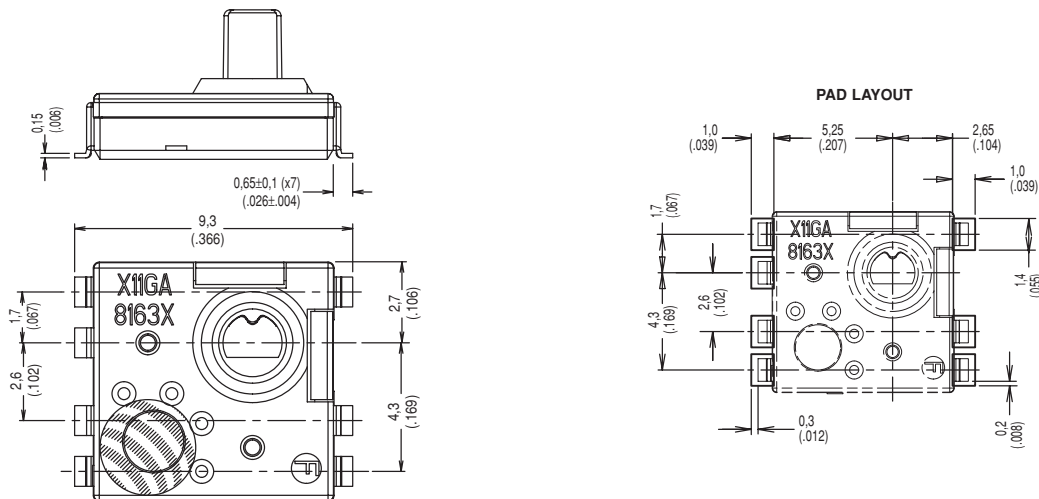
CONTACT MATERIAL

OPTION CODE	MATERIAL
1	SILVER
3	GOLD

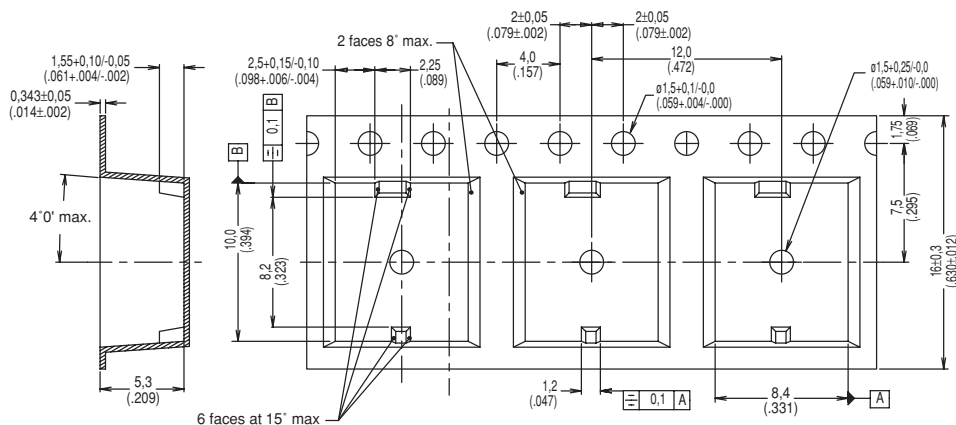
TPA Series Navigation Tact Switch for SMT

TERMINATION

G GULLWING



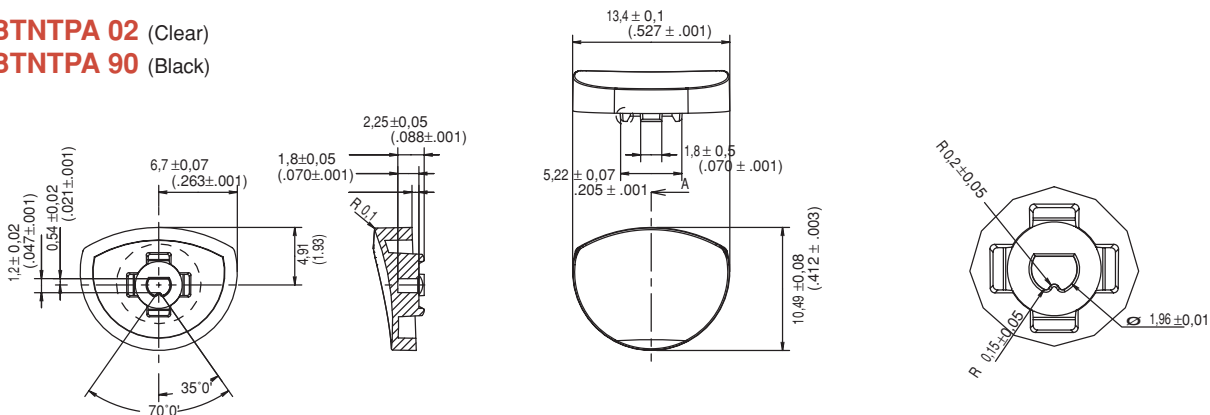
TAPE & REEL



BUTTON AVAILABLE

BTNTPA 02 (Clear)

BTNTPA 90 (Black)



Navigation

OUR CERTIFICATE

DiGi provide top-quality products and perfect service for customer worldwide through standardization, technological innovation and continuous improvement. DiGi through third-party certification, we stricly control the quality of products and services. Welcome your RFQ to

Email: Info@DiGi-Electronics.com



Tel: +00 852-30501935

RFQ Email: Info@DiGi-Electronics.com

DiGi is a global authorized distributor of electronic components.