

A355RI Datasheet



<https://www.DiGi-Electronics.com>

DiGi Electronics Part Number	LDS-A355RI-DG
Manufacturer	Lumex Opto/Components Inc.
Manufacturer Product Number	LDS-A355RI
Description	DISPLAY 7-SEG 0.3" SGL RED 10DIP

Detailed Description

Display Modules - LED Character and Numeric Red
7-Segment 1 Character Common Anode 2V 10mA
1500 Pins 0.299" W x 0.240" D (12.70mm x 7.60mm
x 6.10mm) 10-DIP (0.200", 5.08mm)

This model LDS-A355RI is available at DiGi Electronics.

DiGi Electronics offers a global database of semiconductor and electronic component datasheets.

We welcome your inquiries regarding pricing, lead time, or other product-related questions.

 [Request a Quote](#)

 [Datasheet Search](#)

Tel: +00 852-30501935

RFQ Email: Info@DiGi-Electronics.com

DiGi is a global authorized distributor of electronic components.

Purchase and inquiry

Manufacturer Product Number:

LDS-A355RI

Series:

-

Number of Characters:

1

Digit/Alpha Size:

0.30" (7.62mm)

Common Pin:

Common Anode

Voltage - Forward (Vf) (Typ):

2V

Millicandela Rating:

0.5mcd

Power Dissipation (Max):

105mW

Base Product Number:

LDS-A355

Manufacturer:

Lumex Opto/Components Inc.

Product Status:

Active

Size / Dimension:

0.500" H x 0.299" W x 0.240" D (12.70mm x 7.60mm x 6.10mm)

Display Type:

7-Segment

Color:

Red

Current - Test:

10mA

Wavelength - Peak:

700nm

Package / Case:

10-DIP (0.200", 5.08mm)

Environmental & Export classification

RoHS Status:

ROHS3 Compliant

REACH Status:

REACH Not Restricted

Moisture Sensitivity Level (MSL):

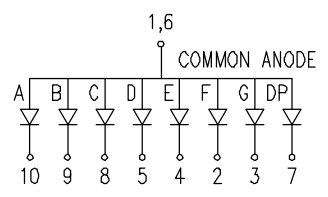
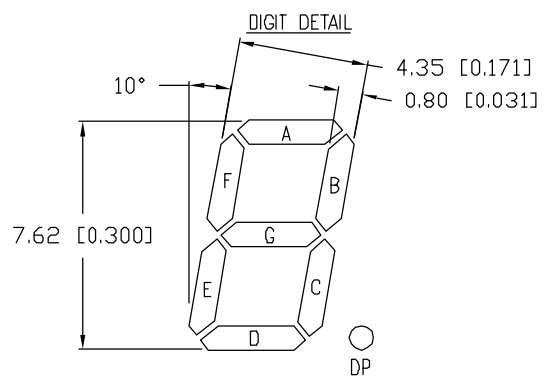
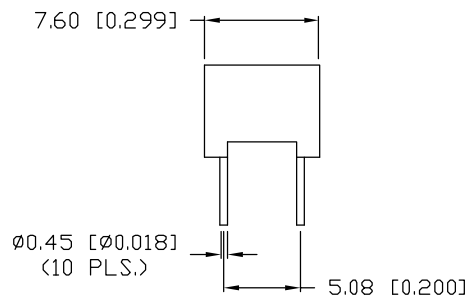
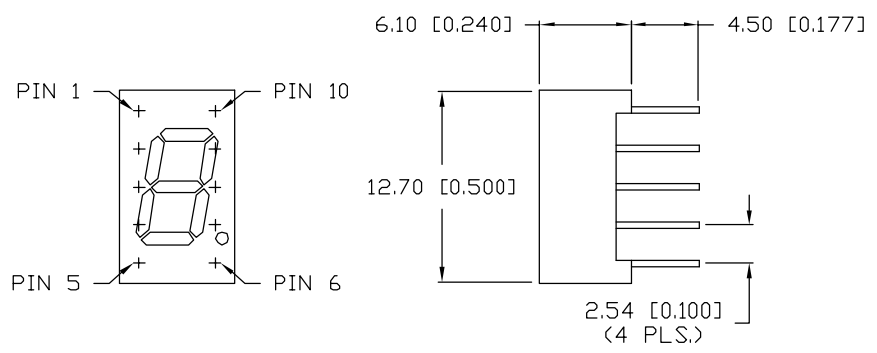
1 (Unlimited)

ECCN:

EAR99

UNCONTROLLED DOCUMENT

PART NUMBER		REV.
LDS-A355RI		A
REV.	E.C.N. NUMBER AND REVISION COMMENTS	DATE
A	E.C.N. #10BRDR. & REDRAWN IN 3D.	3.23.03



ELECTRO-OPTICAL CHARACTERISTICS $T_A=25^{\circ}\text{C}$ $I_f=10\text{mA}$

PARAMETER	MIN	TYP	MAX	UNITS	TEST COND
PEAK WAVELENGTH		700		nm	
FORWARD VOLTAGE		2.0	2.5	V_f	
REVERSE VOLTAGE	5.0			V_r	$I_r=100\mu\text{A}$
AXIAL INTENSITY		500		μcd	$I_f=10\text{mA}$
EMITTED COLOR:	RED				
FACE COLOR:	GRAY				
SEGMENT COLOR:	MILKY WHITE DIFFUSED				

LIMITS OF SAFE OPERATION AT 25°C PER DIE

PARAMETER	MAX	UNITS
PEAK FORWARD CURRENT*	150	mA
STEADY CURRENT	25	mA
POWER DISSIPATION	105	mW
DERATE FROM 25°C	-1.6	mW/°C
OPERATING, STORAGE TEMP.	-40 TO +85	°C
SOLDERING TEMP.	+260	°C
2.0mm FROM BODY		3 SEC. MAX

* $t < 10\mu\text{s}$

*UNLESS OTHERWISE SPECIFIED TOLERANCES PER DECIMAL PRECISION ARE: X=±1 (±0.039), X.X=±0.5 (±0.020), X.XX=±0.25 (±0.010), X.XXX=±0.127 (±0.005). LEAD SIZE=±0.05 (±0.002), LEAD LENGTH=±0.75 (±0.030). MIN=+DECIMAL PRECISION MAX.=+0.00 -DECIMAL PRECISION

UNCONTROLLED DOCUMENT

REV.	PART NUMBER
A	LDS-A355RI
0.30" SEVEN SEGMENT, LED DISPLAY, COMMON ANODE, 700nm RED CHIPS, GRAY FACE WITH WHITE SEGMENTS.	

CONFIDENTIAL INFORMATION
 THE INFORMATION CONTAINED IN THIS DOCUMENT IS THE PROPERTY OF LUMEX INC. EXCEPT AS SPECIFICALLY AUTHORIZED IN WRITING BY LUMEX INC., THE HOLDER OF THIS DOCUMENT SHALL KEEP ALL INFORMATION CONTAINED HEREIN CONFIDENTIAL AND SHALL PROTECT SAME IN WHOLE OR IN PART FROM DISCLOSURE AND DISSEMINATION TO ALL THIRD PARTIES.

RELIABILITY NOTE
 OUR MANY YEARS OF EXPERIENCE DATA ACCUMULATION INDICATE THAT SOLDER HEAT IS A MAJOR CAUSE OF EARLY AND FUTURE FAILURE. PLEASE PAY ATTENTION TO YOUR SOLDERING PROCESS.

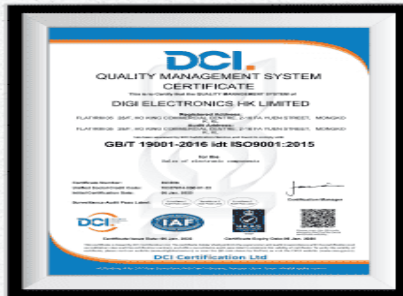
290 E. HELEN ROAD
 PALATINE, IL 60067-6976
 PHONE: +1.847.359.2790
 US WEB: www.lumex.com
 TW WEB: www.lumex.com.tw

DRAWN BY:	CHECKED BY:	APPROVED BY:	DATE: 10.8.96
BC			PAGE: 1 OF 1
			SCALE: N/A

OUR CERTIFICATE

DiGi provide top-quality products and perfect service for customer worldwide through standardization, technological innovation and continuous improvement. DiGi through third-party certification, we stricy control the quality of products and services. Welcome your RFQ to

Email: Info@DiGi-Electronics.com



Tel: +00 852-30501935

RFQ Email: Info@DiGi-Electronics.com

DiGi is a global authorized distributor of electronic components.