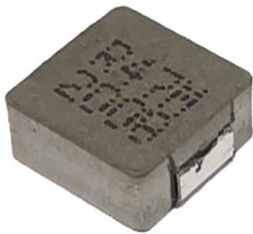


MHA0730NSGR47M Datasheet

www.digi-electronics.com



<https://www.DiGi-Electronics.com>

DiGi Electronics Part Number	MHA0730NSGR47M-DG
Manufacturer	Mentech Technology USA Inc.
Manufacturer Product Number	MHA0730NSGR47M
Description	FIXED IND 470NH 18A 4.1MOHM SMD
Detailed Description	470 nH Molded Inductor 18 A 4.1mOhm Max Nonstandard



Tel: +00 852-30501935

RFQ Email: Info@DiGi-Electronics.com

DiGi is a global authorized distributor of electronic components.

Purchase and inquiry

Manufacturer Product Number:

MHA0730NSGR47M

Series:

-

Type:

Molded

Inductance:

470 nH

Current Rating (Amps):

18 A

DC Resistance (DCR):

4.1mOhm Max

Frequency - Self Resonant:

-

Operating Temperature:

-55°C ~ 125°C

Mounting Type:

Surface Mount

Supplier Device Package:

-

Height - Seated (Max):

0.110" (2.80mm)

Manufacturer:

Mentech Technology USA Inc.

Product Status:

Active

Material - Core:

-

Tolerance:

±20%

Current - Saturation (Isat):

20A

Q @ Freq:

-

Ratings:

-

Features:

-

Package / Case:

Nonstandard

Size / Dimension:

0.272" L x 0.256" W (6.90mm x 6.50mm)

Environmental & Export classification

RoHS Status:

ROHS3 Compliant

ECCN:

EAR99

Moisture Sensitivity Level (MSL):

1 (Unlimited)

HTSUS:

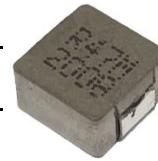
8504.50.0000



Product Specification for Approval

WE ARE PLEASED IN SUBMITTING OUR SAMPLES WITH SPECIFICATION TO YOU FOR APPROVAL.

CUSTOMER	:	_____
DESCRIPTION	:	POWER INDUCTOR
MNC P/N	:	MHA0730NSGR47M
VERSION	:	A0
CUSTOMER P/N	:	_____
ISSUED DATE	:	2020/4/25
PHOTO OF PRODUCT	:	_____
WEIGHT	:	0.76g
MADE IN	:	CHINA



APPROVED BY MNC		
PREPARED BY	CHECKED BY	APPROVED BY
Fanny	Rongyin Chen	Bill Ya

APPROVED BY CUSTOMER
SIGNATURE OR STAMP

- PLEASE SEND BACK US A COPY OF THE SPECIFICATION WITH YOUR STAMP OR SIGNATURE ONCE THE SAMPLES APPROVED.
- IT WILL BE DEEMED THE SAMPLES TO BE APPROVED IF NO FEEDBACK.

东莞铭普光磁股份有限公司

Add: Shipai Town, Dongguan City,Guangdong Province,China

TEL: +86-769-86921000

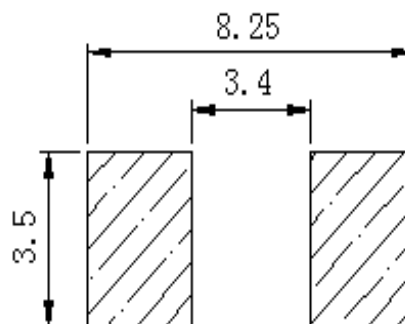
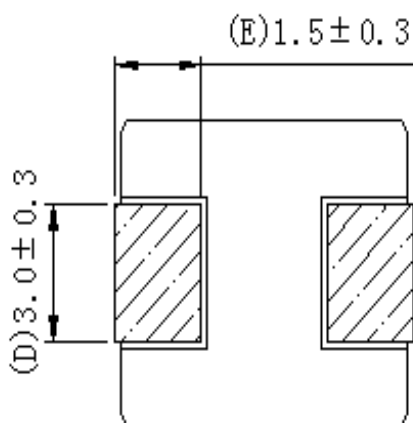
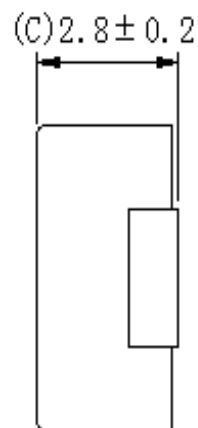
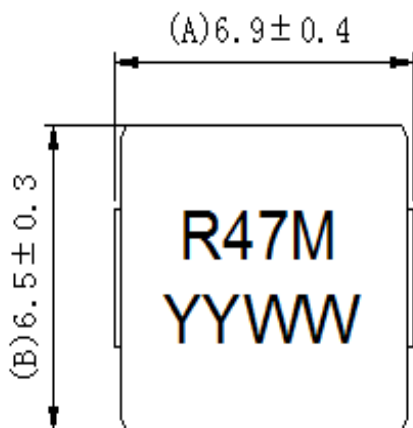
FAX: +86-769-81701563



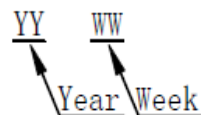
SPECIFICATION

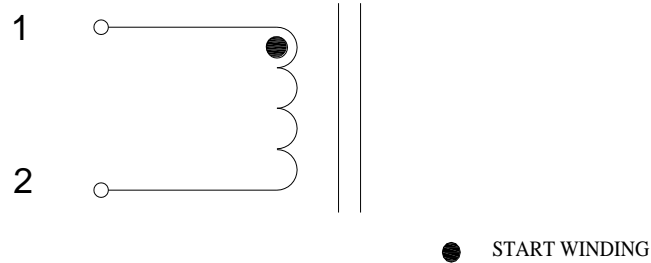
Part No. MHA0730NSGR47M

A.MECHANICAL DIMENSIONS(Unit:mm):



Suggested Pad Layout



**SPECIFICATION****Part No. MHA0730NSGR47M****B. SCHEMATIC :****C. ELECTRICAL SPECIFICATION @25°C**

ITEM	SPECIFICATION	TEST CONDITION	TEST EQUIPMENT
INDUCTANCE : 1-2	0.47uH \pm 20%	100KHz, 0.25V	TH3260B OR EQU.
DC RESISTANCE : 1-2	4.10m Ω Max	25°C	TOS8020 OR EQU.
Isat :	20.0A	100KHz, 0.25V,	WK3260B+WK3265B
Irms :	18.0A	25°C	WK3260B+WK3265B
OPERATING TEMPERATURE RANGE : (INCLUDING COIL' SELF TEMPERATURE RISE)		-55°C to 125°C	
STORAGE TEMPERATURE RANGE :		-55°C to 125°C	

REMARK:

- 1.The rated current as listed is either the saturation current or the heating current depending on which value is lower.
- 2.Saturation Current (Isat) is the current which causes the inductance to drop approximately 30% from the nominal inductance at 0ADC at the stated ambient temperature(25°C).
- 3.Heating Current (Irms) is the DC current which causes the part temperature to increase by approximately 40°C . This current is determined by soldering the component on a typical application PCB, and then applying the current to the device for 30 minutes.

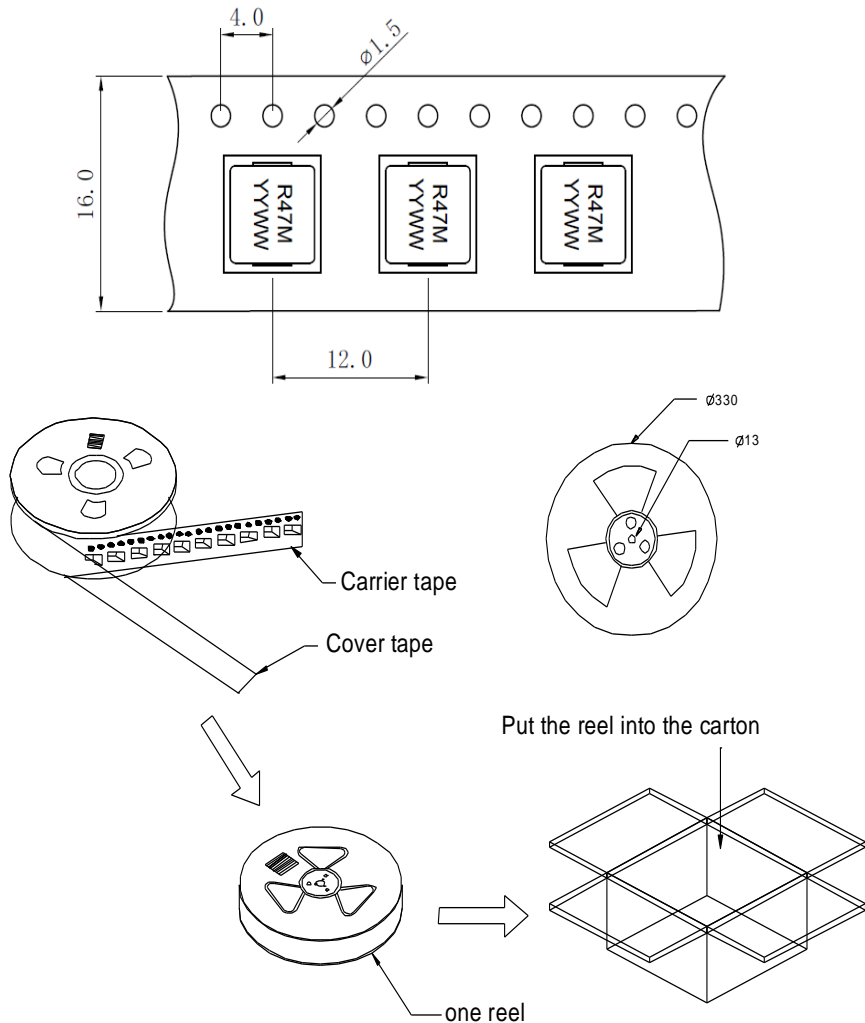


PACKAGE

Part No. MHA0730NSGR47M

1. PACKING:

a. PACKAGING AS BELOW (ONLY FOR REFERENCE):



b. Q'TY:

1500PCS/REEL
 10REELS/CASE
 15000PCS/CASE

c. LABEL:



REMARK:

ABOVE PACKING IS FOR YOUR REFERENCE ONLY, WHICH MIGHT BE CHANGED WITHOUT NOTICE.

**MATERIAL LIST****Part No. MHA0730NSGR47M****BOM**

MATERIAL LIST					
NO.	ITEM	MATERIAL	RATING	SUPPLIER OF MATERIAL	UL
1	IRON BODY	Alloy Magnetic Powder	-----	ANTAI	N/A
2	WIRE	AIW	220℃	PACIFIC	E201757
	WIRE	AIW	220℃	ELEKTRISOLA	E258243
3	TERMINAL- CLIP	C1100	-----	MINGSCHIN	N/A
4	BLACK INK	LTS19	-----	JIZHOU	N/A

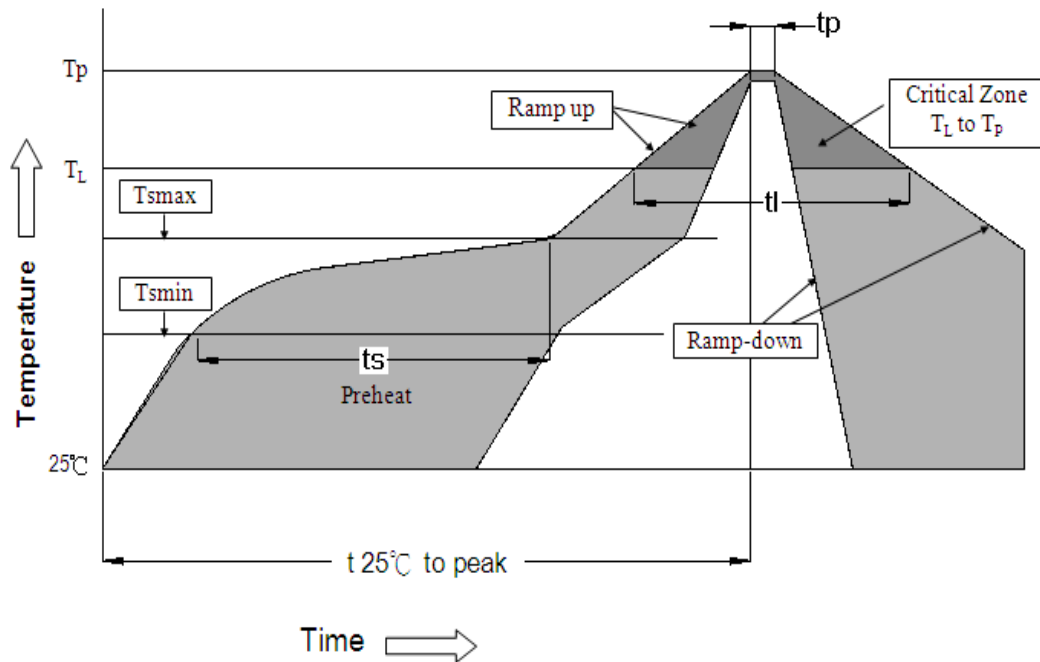


RECOMMENDED SOLDERING PROFILE

Part No. MHA0730NSGR47M

1. RECOMMENDED REFLOW SOLDERING PROFILE:

Below content is only for your reference.



$T = 217^{\circ}\text{C}$

$T_p = 250^{\circ}\text{C}$

$t_s = 60-180\text{s}$ $T_s \text{ max} = 200^{\circ}\text{C}$ $T_s \text{ min} = 150^{\circ}\text{C}$

$t_L = 60-150\text{s}$ $t_p = 20-40\text{s}$ $T_{25^{\circ}\text{C to peak}} = 8\text{min max}$

Ramp up rate = 3°C/s max

Ramp down rate = 6°C/s max

*RoHS Compliant

*Solder Paste SAC 305 Sn 96.5/Ag 3.0/Cu 0.5

*Silkscreen thickness: 0.15mm Min

2. MOISTURE SENSITIVE LEVEL:

2.1. Level: 1

2.2. Shelf Life: Unlimited

2.3. Storage Condition: $\cong 30^{\circ}\text{C}/85\% \text{ RH}$

OUR CERTIFICATE

DiGi provide top-quality products and perfect service for customer worldwide through standardization, technological innovation and continuous improvement. DiGi through third-party certification, we stricly control the quality of products and services. Welcome your RFQ to

Email: Info@DiGi-Electronics.com



Tel: +00 852-30501935

RFQ Email: Info@DiGi-Electronics.com

DiGi is a global authorized distributor of electronic components.