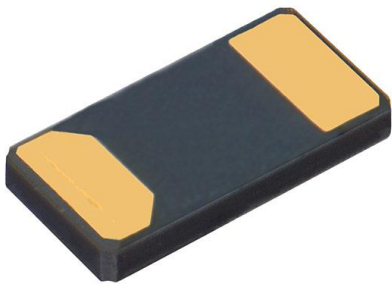


CM7V-T1A-32.768KHZ-12.5PF-20PPM-TB-QC Datasheet

www.digi-electronics.com



<https://www.DiGi-Electronics.com>

DiGi Electronics Part Number	CM7V-T1A-32.768KHZ-12.5PF-20PPM-TB-QC-DG
Manufacturer	Micro Crystal AG
Manufacturer Product Number	CM7V-T1A-32.768KHZ-12.5PF-20PPM-TB-QC
Description	CRYSTAL 32.7680KHZ 12.5PF SMD
Detailed Description	32.768 kHz \pm 20ppm Crystal 12.5pF 70 kOhms 2-SMD, No Lead

This model CM7V-T1A-32.768KHZ-12.5PF-20PPM-TB-QC is available at DiGi Electronics. DiGi Electronics offers a global database of semiconductor and electronic component datasheets. We welcome your inquiries regarding pricing, lead time, or other product-related questions.

 [Request a Quote](#)

 [Datasheet Search](#)



Tel: +00 852-30501935

RFQ Email: Info@DiGi-Electronics.com

DiGi is a global authorized distributor of electronic components.

Purchase and inquiry

Manufacturer Product Number:

CM7V-T1A-32.768KHZ-12.5PF-20PPM-TB-QC

Series:

CM7V

Type:

kHz Crystal (Tuning Fork)

Frequency Stability:

-

Load Capacitance:

12.5pF

Operating Mode:

Fundamental

Ratings:

-

Package / Case:

2-SMD, No Lead

Height - Seated (Max):

0.026" (0.65mm)

Manufacturer:

Micro Crystal AG

Product Status:

Active

Frequency:

32.768 kHz

Frequency Tolerance:

±20ppm

ESR (Equivalent Series Resistance):

70 kOhms

Operating Temperature:

-40°C ~ 125°C

Mounting Type:

Surface Mount

Size / Dimension:

0.126" L x 0.059" W (3.20mm x 1.50mm)

Environmental & Export classification

RoHS Status:

ROHS3 Compliant

REACH Status:

REACH Unaffected

HTSUS:

8541.60.0010

Moisture Sensitivity Level (MSL):

1 (Unlimited)

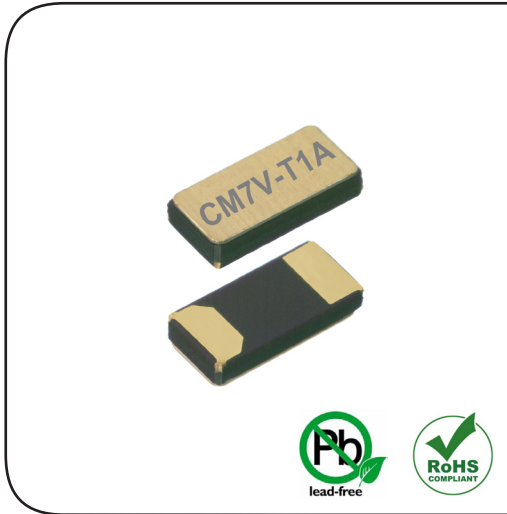
ECCN:

EAR99

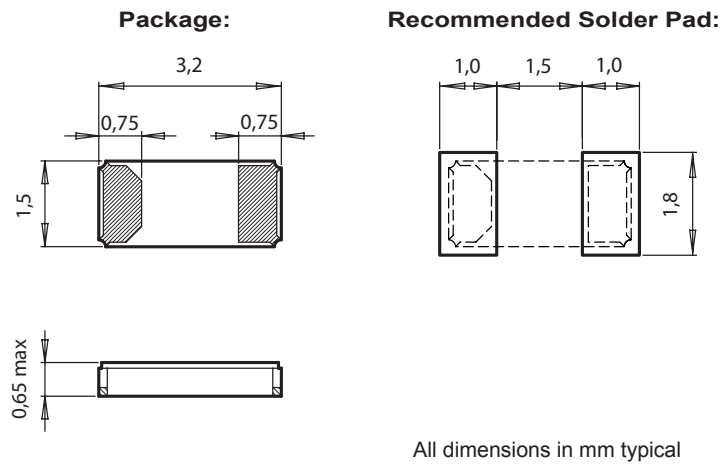


CM7V-T1A

Tuning Fork Crystal 32.768 kHz



DIMENSIONS



APPLICATIONS

IoT
Metering
Industrial
Automotive
Health Care
Wearables, Portables

DESCRIPTION

The CM7V-T1A is a low frequency SMT Quartz Crystal Unit that incorporates a tuning fork Quartz Crystal Resonator. It operates under vacuum in a hermetically sealed ceramic package with metal lid.

FEATURES

Outstanding hermetic sealing with gold-tin preform.
High stability and low aging guaranteed by hermetic sealing.
Available for extended operating temperature range.
Small size, low profile, lightweight (10.3 mg).
High shock and vibration resistant.
100% Pb-free, RoHS-compliant.
Automotive qualification according to AEC-Q200 available.

ELECTRICAL CHARACTERISTICS AT 25°C

Standard Frequencies 32.768 kHz / 100.000 kHz ¹⁾	F _L	32.768	kHz
Load capacitance ²⁾	C _L	6.0 / 7.0 / 9.0 / 12.5	pF
Frequency tolerance ³⁾	ΔF/F	±20	ppm
	ΔF/F	±100	ppm
Series resistance typ./max.	R _S	50 / 70	kΩ
Motional capacitance typ.	C ₁	3.7	fF
Static capacitance typ.	C ₀	1.2	pF
Drive level max.	P	1.0	μW
Insulation resistance min.	R _i	500	MΩ
Aging first year max.	ΔF/F	±3	ppm
Turnover temperature	T ₀	25 ±5	°C
Frequency vs. temperature	ΔF/F ₀	-0.035 ppm/°C ² (T - T ₀) ² ±10%	

- 1) Other frequencies on request.
2) Other load capacitances on request.
3) Tighter frequency tolerances on request.

STANDARD FREQUENCIES

Frequencies
32.768 kHz / 100.000 kHz
Other frequencies on request

ENVIRONMENTAL CHARACTERISTICS

		Conditions	Max. Dev.
Storage temp. range		-55 to +125°C	
TA Operating temperature range		-40 to +85°C	
TB Extended oper. temp. range		-40 to +125°C	
TC Extended oper. temp. range		-55 to +125°C	
Shock resistance	ΔF/F	5000 g, 0.3 ms, ½ sine	±5 ppm
Vibration resistance	ΔF/F	20 g / 10–2000 Hz	±5 ppm

TERMINATIONS AND PROCESSING

Type	Termination	Processing
CM7V-T1A	For SMT mounting Au flashed pads	IPC/JEDEC J-STD-020C 260°C / 20 - 40 s

ORDERING INFORMATION

	C M 7 V - T 1 A 32.768 kHz 12.5 pF ±20 ppm TA QC						
<p>Ceramic package _____</p> <p>Metal lid _____</p> <p>Package size _____ 7 = 3.2 x 1.5 x 0.65 mm</p> <p>Tuning fork _____</p> <p>SMT Package _____</p> <p>Au flashed pads _____</p> <p>Pads on both ends _____</p>	<p>Frequency F_L _____</p> <p>Load capacitance C_L 6.0 pF 7.0 pF 9.0 pF 12.5 pF Other C_L on request</p> <p>Frequency tolerance _____ ±20 ppm ±100 ppm Tighter freq. tolerances on request</p> <p>Temperature range _____ TA = -40 to +85°C (Standard) TB = -40 to +125°C TC = -55 to +125°C</p> <p>Qualification _____ QC = Commercial Grade (Standard) QA = Automotive Grade AEC-Q200</p>						
<p>A unique part number will be generated for each product specification, i.e:</p> <table border="1" style="width: 100%; border-collapse: collapse;"> <tbody> <tr> <td style="width: 30%;">20xxx-MG01</td> <td>1'000 pcs (in 12 mm tape on 7" reel)</td> </tr> <tr> <td>20xxx-MG03</td> <td>3'000 pcs (in 12 mm tape on 7" reel)</td> </tr> <tr> <td>20xxx-PG14</td> <td>14'000 pcs (in 12 mm tape on 13" reel)</td> </tr> </tbody> </table>		20xxx-MG01	1'000 pcs (in 12 mm tape on 7" reel)	20xxx-MG03	3'000 pcs (in 12 mm tape on 7" reel)	20xxx-PG14	14'000 pcs (in 12 mm tape on 13" reel)
20xxx-MG01	1'000 pcs (in 12 mm tape on 7" reel)						
20xxx-MG03	3'000 pcs (in 12 mm tape on 7" reel)						
20xxx-PG14	14'000 pcs (in 12 mm tape on 13" reel)						

All specifications subject to change without notice.



Micro Crystal AG
Muehlestrasse 14
CH-2540 Grenchen
Switzerland

Phone +41 32 655 82 82
Fax +41 32 655 82 83
sales@microcrystal.com
www.microcrystal.com

OUR CERTIFICATE

DiGi provide top-quality products and perfect service for customer worldwide through standardization, technological innovation and continuous improvement. DiGi through third-party certification, we stricly control the quality of products and services. Welcome your RFQ to

Email: Info@DiGi-Electronics.com



Tel: +00 852-30501935

RFQ Email: Info@DiGi-Electronics.com

DiGi is a global authorized distributor of electronic components.