

MP4864AGBD Datasheet



DiGi Electronics Part Number	MP4864AGBD-DG
Manufacturer	Monolithic Power Systems Inc.
Manufacturer Product Number	MP4864AGBD
Description	IC SW SPST-NOX64 200HM 144BGA
Detailed Description	64 Circuit IC Switch 1:1 200hm 144-BGA (10x10)

<https://www.DiGi-Electronics.com>



Tel: +00 852-30501935

RFQ Email: Info@DiGi-Electronics.com

DiGi is a global authorized distributor of electronic components.

Purchase and inquiry

Manufacturer Product Number:

MP4864AGBD

Series:

-

Switch Circuit:

SPST - NO

Number of Circuits:

64

Channel-to-Channel Matching (ΔR_{on}):

10 Ω

Voltage - Supply, Dual (V_{\pm}):

-

-3db Bandwidth:

-

Channel Capacitance ($C_{S(off)}$, $C_{D(off)}$):

26pF, 9pF

Crosstalk:

-60dB @ 5MHz

Mounting Type:

Surface Mount

Supplier Device Package:

144-BGA (10x10)

Manufacturer:

Monolithic Power Systems Inc.

Product Status:

Active

Multiplexer/Demultiplexer Circuit:

1:1

On-State Resistance (Max):

20 Ω

Voltage - Supply, Single (V_{+}):

10V ~ 14V

Switch Time (T_{on} , T_{off}) (Max):

2 μ s, 2 μ s

Charge Injection:

29pC

Current - Leakage ($I_{S(off)}$) (Max):

-

Operating Temperature:

-25°C ~ 125°C

Package / Case:

144-TFBGA

Environmental & Export classification

RoHS Status:

ROHS3 Compliant

REACH Status:

REACH Unaffected

HTSUS:

8542.39.0001

Moisture Sensitivity Level (MSL):

3 (168 Hours)

ECCN:

EAR99



MP4864A

64-Channel, High-Voltage, SPST Analog Switch with Output Bleed Resistors

DESCRIPTION

The MP4864A is a 64-channel, high-voltage, single-pole single-throw (SPST) analog switch with integrated output bleed resistors designed for medical ultrasound imaging applications. It is designed to multiplex the transmit and receive voltages to and from multiple piezoelectric transducers (PZTs).

The output switches are controlled by a 64-bit serial shift register, followed by a 64-bit data latch. A data out (DOUT) pin allows multiple devices to be cascaded together. This helps minimize the number of input/output (I/O) control lines. A logic high signal in the data latch turns on the corresponding analog switch; a logic low signal turns off the corresponding analog switch.

The MP4864A does not require any high-voltage supplies. It only requires two low-voltage supplies (3.3V and 12V). The analog switch can block or pass analog voltages up to $\pm 90V$ with peak currents of up to $\pm 2A$. The MP4864A is available in a BGA-144 (10mmx10mm) package.

FEATURES

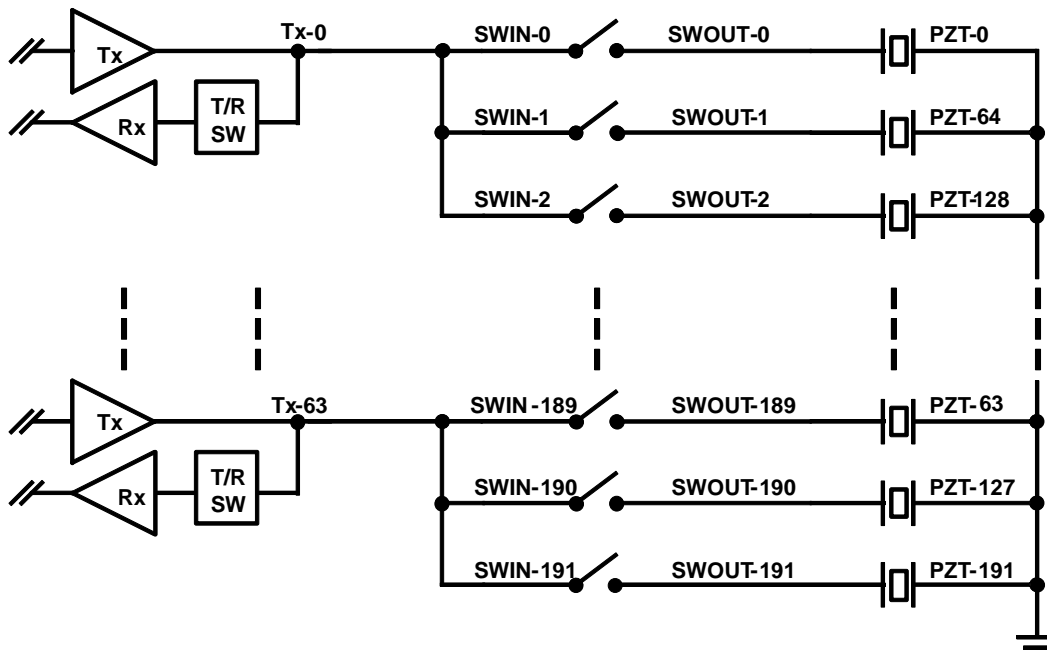
- No High-Voltage Supplies Required
- 64 Channels
- Up to $\pm 90V$ Analog Signals
- 14Ω Typical Switch Resistance
- $\pm 2.0A$ Typical Switch Peak Current
- Off-Isolation of -66dB at 5MHz
- Integrated Output Bleed Resistors
- 80MHz Clock Frequency
- Available in a BGA-144 (10mmx10mm) Package

APPLICATIONS

- Medical Ultrasound Imaging
- Non-Destructive Testing (NDT)

All MPS parts are lead-free, halogen-free, and adhere to the RoHS directive. For MPS green status, please visit the MPS website under Quality Assurance. "MPS", the MPS logo, and "Simple, Easy Solutions" are trademarks of Monolithic Power Systems, Inc. or its subsidiaries.

TYPICAL APPLICATION





MP4864A – 64-CHANNEL, HIGH-VOLTAGE, SPST ANALOG SWITCH

ORDERING INFORMATION

Part Number	Package	Top Marking	MSL Rating
MP4864AGBD	BGA-144 (10mmx10mm)	See Below	3

TOP MARKING

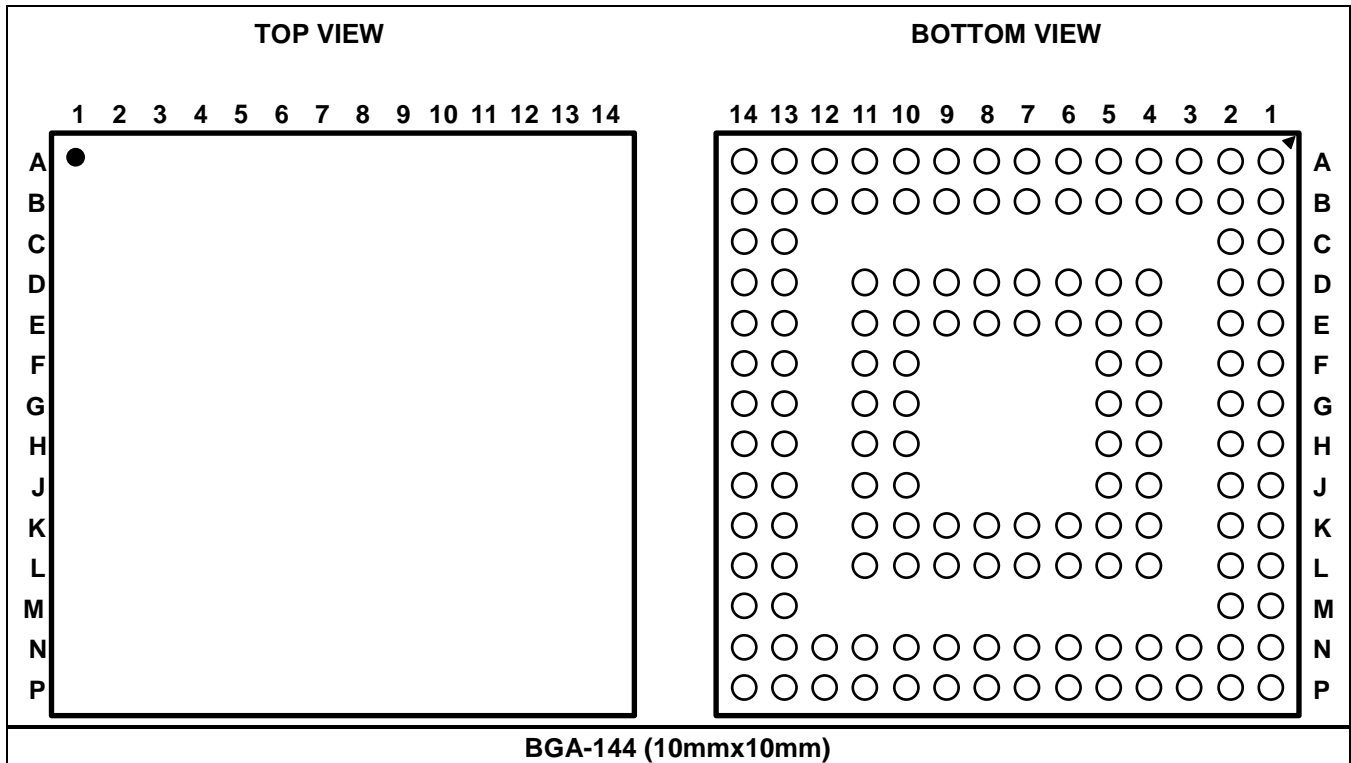
MPSYYWW

MP4864A

LLLLLLLLLL

MPS: MPS prefix
 YY: Year code
 WW: Week code
 MP4864A: Part number
 LLLLLLLLLL: Lot number

PACKAGE REFERENCE





PIN FUNCTIONS

Pin #	Name	Description
A1	GND	Device ground.
A2	SWIN3	Analog switch input 3. Connect SWIN3 to the high-voltage pulse/transmitter.
A3	SWOUT3	Analog switch output 3. Connect SWOUT3 to the piezoelectric transducer.
A4	SWIN5	Analog switch input 5. Connect SWIN5 to the high-voltage pulse/transmitter.
A5	SWOUT5	Analog switch output 5. Connect SWOUT5 to the piezoelectric transducer.
A6	SWIN6	Analog switch input 6. Connect SWIN6 to the high-voltage pulse/transmitter.
A7	SWOUT6	Analog switch output 6. Connect SWOUT6 to the piezoelectric transducer.
A8	SWIN8	Analog switch input 8. Connect SWIN8 to the high-voltage pulse/transmitter.
A9	SWOUT8	Analog switch output 8. Connect SWOUT8 to the piezoelectric transducer.
A10	SWIN9	Analog switch input 9. Connect SWIN9 to the high-voltage pulse/transmitter.
A11	SWOUT9	Analog switch output 9. Connect SWOUT9 to the piezoelectric transducer.
A12	SWIN11	Analog switch input 11. Connect SWIN11 to the high-voltage pulse/transmitter.
A13	SWOUT11	Analog switch output 11. Connect SWOUT11 to the piezoelectric transducer.
A14	GND	Device ground.
B1	SWOUT1	Analog switch output 1. Connect SWOUT1 to the piezoelectric transducer.
B2	SWIN4	Analog switch input 4. Connect SWIN4 to the high-voltage pulse/transmitter.
B3	SWOUT4	Analog switch output 4. Connect SWOUT4 to the piezoelectric transducer.
B4	SWIN35	Analog switch input 35. Connect SWIN35 to the high-voltage pulse/transmitter.
B5	SWOUT35	Analog switch output 35. Connect SWOUT35 to the piezoelectric transducer.
B6	SWIN7	Analog switch input 7. Connect SWIN7 to the high-voltage pulse/transmitter.
B7	SWOUT7	Analog switch output 7. Connect SWOUT7 to the piezoelectric transducer.
B8	SWIN40	Analog switch input 40. Connect SWIN40 to the high-voltage pulse/transmitter.
B9	SWOUT40	Analog switch output 40. Connect SWOUT40 to the piezoelectric transducer.
B10	SWIN10	Analog switch input 10. Connect SWIN10 to the high-voltage pulse/transmitter.
B11	SWOUT10	Analog switch output 10. Connect SWOUT10 to the piezoelectric transducer.
B12	SWIN43	Analog switch input 43. Connect SWIN43 to the high-voltage pulse/transmitter.
B13	SWOUT43	Analog switch output 43. Connect SWOUT43 to the piezoelectric transducer.
B14	SWIN12	Analog switch input 12. Connect SWIN12 to the high-voltage pulse/transmitter.
C1	SWIN1	Analog switch input 1. Connect SWIN1 to the high-voltage pulse/transmitter.
C2	SWOUT2	Analog switch output 2. Connect SWOUT2 to the piezoelectric transducer.
C13	SWIN14	Analog switch input 14. Connect SWIN14 to the high-voltage pulse/transmitter.
C14	SWOUT12	Analog switch output 12. Connect SWOUT12 to the piezoelectric transducer.
D1	SWOUT0	Analog switch output 0. Connect SWOUT0 to the piezoelectric transducer.
D2	SWIN2	Analog switch input 2. Connect SWIN2 to the high-voltage pulse/transmitter.
D4	SWIN36	Analog switch input 36. Connect SWIN36 to the high-voltage pulse/transmitter.
D5	SWOUT36	Analog switch output 36. Connect SWOUT36 to the piezoelectric transducer.
D6	SWIN38	Analog switch input 38. Connect SWIN38 to the high-voltage pulse/transmitter.
D7	SWOUT38	Analog switch output 38. Connect SWOUT38 to the piezoelectric transducer.
D8	SWIN41	Analog switch input 41. Connect SWIN41 to the high-voltage pulse/transmitter.
D9	SWOUT41	Analog switch output 41. Connect SWOUT41 to the piezoelectric transducer.
D10	SWIN45	Analog switch input 45. Connect SWIN45 to the high-voltage pulse/transmitter.
D11	SWIN44	Analog switch input 44. Connect SWIN44 to the high-voltage pulse/transmitter.



PIN FUNCTIONS (continued)

Pin #	Name	Description
D13	SWOUT14	Analog switch output 14. Connect SWOUT14 to the piezoelectric transducer.
D14	SWIN13	Analog switch input 13. Connect SWIN13 to the high-voltage pulse/transmitter.
E1	SWIN0	Analog switch input 0. Connect SWIN0 to the high-voltage pulse/transmitter.
E2	GND	Device ground.
E4	SWIN37	Analog switch input 37. Connect SWIN37 to the high-voltage pulse/transmitter.
E5	SWOUT37	Analog switch output 37. Connect SWOUT37 to the piezoelectric transducer.
E6	SWIN39	Analog switch input 39. Connect SWIN39 to the high-voltage pulse/transmitter.
E7	SWOUT39	Analog switch output 39. Connect SWOUT39 to the piezoelectric transducer.
E8	SWIN42	Analog switch input 42. Connect SWIN42 to the high-voltage pulse/transmitter.
E9	SWOUT42	Analog switch output 42. Connect SWOUT42 to the piezoelectric transducer.
E10	SWOUT45	Analog switch output 45. Connect SWOUT45 to the piezoelectric transducer.
E11	SWOUT44	Analog switch output 44. Connect SWOUT44 to the piezoelectric transducer.
E13	SWIN46	Analog switch input 46. Connect SWIN46 to the high-voltage pulse/transmitter.
E14	SWOUT13	Analog switch output 13. Connect SWOUT13 to the piezoelectric transducer.
F1	VLL	Logic supply voltage. VLL has an operating range of 2.7V to 5.5V.
F2	VDD	Translator supply voltage. VDD has an operating range of 10V to 14V.
F4	SWOUT34	Analog switch output 34. Connect SWOUT34 to the piezoelectric transducer.
F5	GND	Device ground.
F10	SWIN48	Analog switch input 48. Connect SWIN48 to the high-voltage pulse/transmitter.
F11	SWIN47	Analog switch input 47. Connect SWIN47 to the high-voltage pulse/transmitter.
F13	SWOUT46	Analog switch output 46. Connect SWOUT46 to the piezoelectric transducer.
F14	SWIN15	Analog switch input 15. Connect SWIN15 to the high-voltage pulse/transmitter.
G1	DIN	Logic input. DIN is the data input for the 64-bit serial shift register.
G2	GND	Device ground.
G4	SWIN34	Analog switch input 34. Connect SWIN34 to the high-voltage pulse/transmitter.
G5	SWOUT33	Analog switch output 33. Connect SWOUT33 to the piezoelectric transducer.
G10	SWOUT48	Analog switch output 48. Connect SWOUT48 to the piezoelectric transducer.
G11	SWOUT47	Analog switch output 47. Connect SWOUT47 to the piezoelectric transducer.
G13	SWIN17	Analog switch input 17. Connect SWIN17 to the high-voltage pulse/transmitter.
G14	SWOUT15	Analog switch output 15. Connect SWOUT15 to the piezoelectric transducer.
H1	CLK	Logic input. CLK is the clock input for the 64-bit serial shift register. Load data into the register during the rising edge of the clock.
H2	GND	Device ground.
H4	SWOUT32	Analog switch output 32. Connect SWOUT32 to the piezoelectric transducer.
H5	SWIN33	Analog switch input 33. Connect SWIN33 to the high-voltage pulse/transmitter.
H10	SWIN50	Analog switch input 50. Connect SWIN50 to the high-voltage pulse/transmitter.
H11	SWIN49	Analog switch input 49. Connect SWIN49 to the high-voltage pulse/transmitter.
H13	SWOUT17	Analog switch output 17. Connect SWOUT17 to the piezoelectric transducer.
H14	SWIN16	Analog switch input 16. Connect SWIN16 to the high-voltage pulse/transmitter.
J1	LEB	Logic input. LEB is the latch enable bar for the 64-bit latch. Pull this pin logic low to transfer data from the serial shift registers to the latches; pull it high to hold the data in the latches. See the Logic Truth Table on page 11 for more details.
J2	GND	Device ground.
J4	SWIN32	Analog switch input 32. Connect SWIN32 to the high-voltage pulse/transmitter.



PIN FUNCTIONS (continued)

Pin #	Name	Description
J5	GND	Device ground.
J10	SWOUT50	Analog switch output 50. Connect SWOUT50 to the piezoelectric transducer.
J11	SWOUT49	Analog switch output 49. Connect SWOUT49 to the piezoelectric transducer.
J13	SWIN20	Analog switch input 20. Connect SWIN20 to the high-voltage pulse/transmitter.
J14	SWOUT16	Analog switch output 16. Connect SWOUT16 to the piezoelectric transducer.
K1	SWOUT31	Analog switch output 31. Connect SWOUT31 to the piezoelectric transducer.
K2	DOUT	Logic output. DOUT is the data output from the 64-bit serial shift register.
K4	SWOUT61	Analog switch output 61. Connect SWOUT61 to the piezoelectric transducer.
K5	SWIN61	Analog switch input 61. Connect SWIN61 to the high-voltage pulse/transmitter.
K6	SWOUT59	Analog switch output 59. Connect SWOUT59 to the piezoelectric transducer.
K7	SWIN59	Analog switch input 59. Connect SWIN59 to the high-voltage pulse/transmitter.
K8	SWOUT57	Analog switch output 57. Connect SWOUT57 to the piezoelectric transducer.
K9	SWIN57	Analog switch input 57. Connect SWIN57 to the high-voltage pulse/transmitter.
K10	SWOUT55	Analog switch output 55. Connect SWOUT55 to the piezoelectric transducer.
K11	SWIN55	Analog switch input 55. Connect SWIN55 to the high-voltage pulse/transmitter.
K13	SWOUT20	Analog switch output 20. Connect SWOUT20 to the piezoelectric transducer.
K14	SWIN18	Analog switch input 18. Connect SWIN18 to the high-voltage pulse/transmitter.
L1	SWIN31	Analog switch input 31. Connect SWIN31 to the high-voltage pulse/transmitter.
L2	SWOUT63	Analog switch output 63. Connect SWOUT63 to the piezoelectric transducer.
L4	SWOUT60	Analog switch output 60. Connect SWOUT60 to the piezoelectric transducer.
L5	SWIN60	Analog switch input 60. Connect SWIN60 to the high-voltage pulse/transmitter.
L6	SWOUT58	Analog switch output 58. Connect SWOUT58 to the piezoelectric transducer.
L7	SWIN58	Analog switch input 58. Connect SWIN58 to the high-voltage pulse/transmitter.
L8	SWOUT56	Analog switch output 56. Connect SWOUT56 to the piezoelectric transducer.
L9	SWIN56	Analog switch input 56. Connect SWIN56 to the high-voltage pulse/transmitter.
L10	SWOUT54	Analog switch output 54. Connect SWOUT54 to the piezoelectric transducer.
L11	SWIN54	Analog switch input 54. Connect SWIN54 to the high-voltage pulse/transmitter.
L13	SWIN51	Analog switch input 51. Connect SWIN51 to the high-voltage pulse/transmitter.
L14	SWOUT18	Analog switch output 18. Connect SWOUT18 to the piezoelectric transducer.
M1	SWOUT30	Analog switch output 30. Connect SWOUT30 to the piezoelectric transducer.
M2	SWIN63	Analog switch input 63. Connect SWIN63 to the high-voltage pulse/transmitter.
M13	SWOUT51	Analog switch output 51. Connect SWOUT51 to the piezoelectric transducer.
M14	SWIN19	Analog switch input 19. Connect SWIN19 to the high-voltage pulse/transmitter.
N1	SWIN30	Analog switch input 30. Connect SWIN30 to the high-voltage pulse/transmitter.
N2	SWOUT62	Analog switch output 62. Connect SWOUT62 to the piezoelectric transducer.
N3	SWOUT29	Analog switch output 29. Connect SWOUT29 to the piezoelectric transducer.
N4	SWIN29	Analog switch input 29. Connect SWIN29 to the high-voltage pulse/transmitter.
N5	SWOUT27	Analog switch output 27. Connect SWOUT27 to the piezoelectric transducer.
N6	SWIN27	Analog switch input 27. Connect SWIN27 to the high-voltage pulse/transmitter.
N7	SWOUT25	Analog switch output 25. Connect SWOUT25 to the piezoelectric transducer.
N8	SWIN25	Analog switch input 25. Connect SWIN25 to the high-voltage pulse/transmitter.
N9	SWOUT23	Analog switch output 23. Connect SWOUT23 to the piezoelectric transducer.
N10	SWIN23	Analog switch input 23. Connect SWIN23 to the high-voltage pulse/transmitter.
N11	SWOUT53	Analog switch output 53. Connect SWOUT53 to the piezoelectric transducer.



PIN FUNCTIONS (continued)

Pin #	Name	Description
N12	SWIN53	Analog switch input 53. Connect SWIN53 to the high-voltage pulse/transmitter.
N13	SWIN52	Analog switch input 52. Connect SWIN52 to the high-voltage pulse/transmitter.
N14	SWOUT19	Analog switch output 19. Connect SWOUT19 to the piezoelectric transducer.
P1	GND	Device ground.
P2	SWIN62	Analog switch input 62. Connect SWIN62 to the high-voltage pulse/transmitter.
P3	SWOUT28	Analog switch output 28. Connect SWOUT28 to the piezoelectric transducer.
P4	SWIN28	Analog switch input 28. Connect SWIN28 to the high-voltage pulse/transmitter.
P5	SWOUT26	Analog switch output 26. Connect SWOUT26 to the piezoelectric transducer.
P6	SWIN26	Analog switch input 26. Connect SWIN26 to the high-voltage pulse/transmitter.
P7	SWOUT24	Analog switch output 24. Connect SWOUT24 to the piezoelectric transducer.
P8	SWIN24	Analog switch input 24. Connect SWIN24 to the high-voltage pulse/transmitter.
P9	SWOUT22	Analog switch output 22. Connect SWOUT22 to the piezoelectric transducer.
P10	SWIN22	Analog switch input 22. Connect SWIN22 to the high-voltage pulse/transmitter.
P11	SWOUT21	Analog switch output 21. Connect SWOUT21 to the piezoelectric transducer.
P12	SWIN21	Analog switch input 21. Connect SWIN21 to the high-voltage pulse/transmitter.
P13	SWOUT52	Analog switch output 52. Connect SWOUT52 to the piezoelectric transducer.
P14	GND	Device ground.

ABSOLUTE MAXIMUM RATINGS ⁽¹⁾

Logic supply voltage (V_{LL})	-0.5V to +6.6V
Translator supply voltage (V_{DD})	-0.5V to +16V
Analog signal range (V_{SIG})	0V to $\pm 105V$
Junction temperature	150°C
Lead temperature	260°C
Continuous power dissipation ($T_A = 25^\circ C$) ⁽²⁾	4.8W
Storage temperature	-55°C to +150°C

ESD Ratings

Human body model (HBM)	JEDEC standard
Charged device model (CDM)	JEDEC standard
All pins	Class 3
SWOUTx	Class 1B
SWINx	Class 1C
Other pins	Class 2

Recommended Operating Conditions ⁽³⁾

Logic supply voltage (V_{LL})	2.7V to 5.5V
Translator supply voltage (V_{DD})	10V to 14V
Analog signal range (V_{SIG})	0 to $\pm 90V$
Junction temperature (T_J)	-25°C to +125°C

Thermal Resistance ⁽⁴⁾	θ_{JA}	θ_{JC}	
BGA-144 (10mmx10mm)	21	4	°C/W

Notes:

- Exceeding these ratings may damage the device.
- The maximum allowable power dissipation is a function of the maximum junction temperature T_J (MAX), the junction-to-ambient thermal resistance θ_{JA} , and the ambient temperature T_A . The maximum allowable continuous power dissipation at any ambient temperature is calculated by P_D (MAX) = $(T_J$ (MAX) - T_A) / θ_{JA} . Exceeding the maximum allowable power dissipation can cause excessive die temperature, which may result in permanent damage to the part.
- The device is not guaranteed to function outside of its operating conditions.
- Measured on JESD51-9, 4-layer PCB.



MP4864A – 64-CHANNEL, HIGH-VOLTAGE, SPST ANALOG SWITCH

DC ELECTRICAL CHARACTERISTICS

$V_{DD} = 12V$, $V_{LL} = 5V$, unless otherwise noted. ⁽⁵⁾

Parameter	Sym.	Conditions	$T_J = 0^\circ C$		$T_J = 25^\circ C$			$T_J = 70^\circ C$		Units
			Min	Max	Min	Typ	Max	Min	Max	
Analog signal range	V_{SIG}	Applied to the SWIN pin	0	± 90	0		± 90	0	± 90	V
On resistance	R_{ON}	$I_{SIG} = \pm 5mA$, $SWOUT = 0V$, see Figure 2 on page 12		20		14	24		30	Ω
		$I_{SIG} = \pm 200mA$, $SWOUT = 0V$, see Figure 2 on page 12		16		13.5	19		24	
Small signal on-resistance matching	R_{ON-S}	$I_{SIG} = \pm 5mA$, $SWOUT = 0V$				5.0				%
Large signal on resistance ⁽⁶⁾	R_{ON-L}	$I_{SIG} = \pm 1A$, $t_{PW} \leq 500ns$, duty cycle $\leq 1\%$, $SWOUT = 0V$, see Figure 3 on page 12				13				Ω
Switch output peak current	I_{SWPK}	$t_{PW} \leq 100ns$, duty cycle $\leq 1\%$				± 2				A
Output bleed resistor	R_{BLEED}	$I_{SIG} = \pm 50\mu A$			20	30	50			k Ω
Switch-off DC offset	V_{DC-OFF}	No load, no V_{SIG} , see Figure 4 on page 12		± 50			± 50		± 50	mV
Switch-on DC offset	V_{DC-ON}	No load, no V_{SIG} , see Figure 4 on page 12		± 50			± 50		± 50	mV
V_{LL} quiescent current	I_{LLQ}	All logic inputs are static		100			100		100	μA
V_{DD} quiescent current	I_{DDQ}	All switches on or off, $SWIN = SWOUT = GND$		180			180		180	μA
V_{LL} average dynamic current	I_{LL}	$f_{CLK} = 40MHz$, $D_{IN} = 20MHz$				9	18			mA
		$f_{CLK} = 80MHz$ ⁽⁶⁾ , $D_{IN} = 40MHz$				18				mA
V_{DD} average dynamic current	I_{DD}	All output switches are turning on and off at 50kHz				11	22			mA
Low input logic voltage	V_{IL}		0	$0.2 \times V_{LL}$	0		$0.2 \times V_{LL}$	0	$0.2 \times V_{LL}$	V
High input logic voltage	V_{IH}		$0.8 \times V_{LL}$	V_{LL}	$0.8 \times V_{LL}$		V_{LL}	$0.8 \times V_{LL}$	V_{LL}	V
Low input logic current	I_{IL}		-1		-1			-1		μA
High input logic current	I_{IH}			1			1		1	μA
Data out logic low voltage	V_{OL}	$I_{SINK} = 10mA$		1			1		1	V
Data out logic high voltage	V_{OH}	$I_{SOURCE} = 10mA$	$V_{LL} - 1$		$V_{LL} - 1$			$V_{LL} - 1$		V
Input logic capacitance	C_{IN}			10			10		10	pF


MP4864A – 64-CHANNEL, HIGH-VOLTAGE, SPST ANALOG SWITCH
AC ELECTRICAL CHARACTERISTICS
V_{DD} = 12V, V_{LL} = 5V, unless otherwise noted. ⁽⁵⁾

Parameter	Sym.	Conditions	T _J = 0°C		T _J = 25°C			T _J = 70°C		Units	
			Min	Max	Min	Typ	Max	Min	Max		
Clock frequency ⁽⁶⁾	f _{CLK}	50% duty cycle	V _{LL} = 3.3V	0	40	0		40	0	40	MHz
			V _{LL} = 5V	0	80	0		80	0	80	
Clock rise time ⁽⁶⁾	t _r				50			50		50	ns
Clock fall time ⁽⁶⁾	t _f				50			50		50	ns
Set-up time from data to the rising edge of clock ⁽⁶⁾	t _{SU}			1		1			1		ns
Hold time from the rising edge of clock to data ⁽⁶⁾	t _H			1		1			1		ns
Set-up time before the LE bar rises ⁽⁶⁾	t _{SD}			6		6			6		ns
LE\ pulse width ⁽⁶⁾	t _{WLE_BAR}			6		6			6		ns
Data out propagation delay time from rising edge of clock ⁽⁵⁾	t _{DOHL} , t _{DOLH}	20pF on DOUT to ground		4	11	4	6	11	4	11	ns
Output switch turn-on time	t _{ON}	SWIN = 2V, SWOUT = 50Ω to ground, see Figure 5 on page 13			2			2		2	μs
Output switch turn-off time	t _{OFF}				2			2		2	μs
Analog signal slew rate ⁽⁶⁾	dv/dt				20			20		20	V/ns
Off-isolation ⁽⁶⁾	K _O	Freq = 5MHz, R _{LOAD} = 50Ω, see Figure 6 on page 13					-66				dB
Switch crosstalk ⁽⁶⁾	K _{CR}	Freq = 5MHz, R _{LOAD} = 50Ω, see Figure 7 on page 13					-60				dB
SWIN switch-off capacitance ⁽⁶⁾	C _{SWIN-OFF}						26				pF
SWIN switch-on capacitance ⁽⁶⁾	C _{SWIN-ON}						35				pF
SWOUT switch-off capacitance ⁽⁶⁾	C _{SWOUT-OFF}						9				pF
SWOUT switch-on capacitance ⁽⁶⁾	C _{SWOUT-ON}						35				pF
Positive output voltage spike ⁽⁶⁾	+V _{SPK}	SWIN = 1kΩ to ground, SWOUT = 50Ω to ground, see Figure 8 on page 14			120			120		120	mV
Negative output voltage spike ⁽⁶⁾	-V _{SPK}				-24		-24			-24	mV
Output charge injection ⁽⁶⁾	Q _{INJ}	C _{LOAD} = 1000pF, see Figure 9 on page 14					29				pC


AC ELECTRICAL CHARACTERISTICS (continued)
 $V_{DD} = 12V$, $V_{LL} = 5V$, unless otherwise noted. ⁽⁵⁾

Parameter	Sym.	Conditions	$T_J = 0^\circ C$		$T_J = 25^\circ C$			$T_J = 70^\circ C$		Units
			Min	Max	Min	Typ	Max	Min	Max	
Positive output voltage spike ⁽⁶⁾	+ V_{SPK}	SWIN = 1k Ω to ground, SWOUT = 50 Ω to ground, see Figure 8 on page 14		120			120		120	mV
Negative output voltage spike ⁽⁶⁾	- V_{SPK}	see Figure 8 on page 14	-24		-24			-24		mV
Output charge injection ⁽⁶⁾	Q_{INJ}	$C_{LOAD} = 1000pF$, see Figure 9 on page 14				29				pC

Notes:

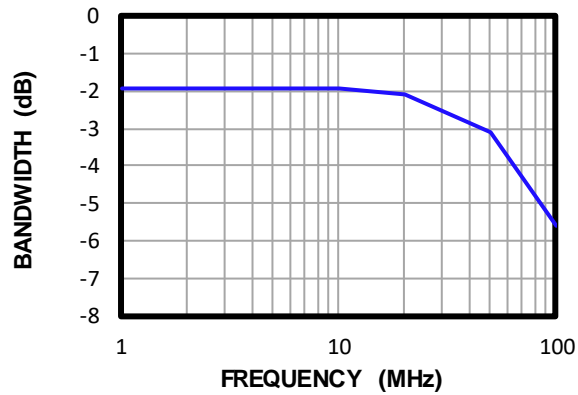
- 5) Tested at 25°C in production. 0° and 70° limits are guaranteed by design and characterization.
 6) Not tested in mass production. Guaranteed by design or bench characterization.



TYPICAL PERFORMANCE CHARACTERISTICS

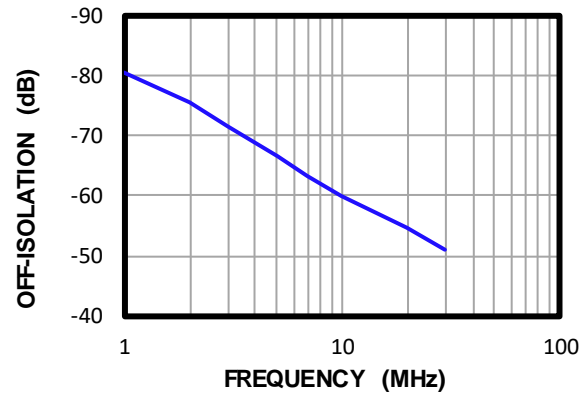
Bandwidth vs. Frequency

$R_{LOAD} = 50\Omega$



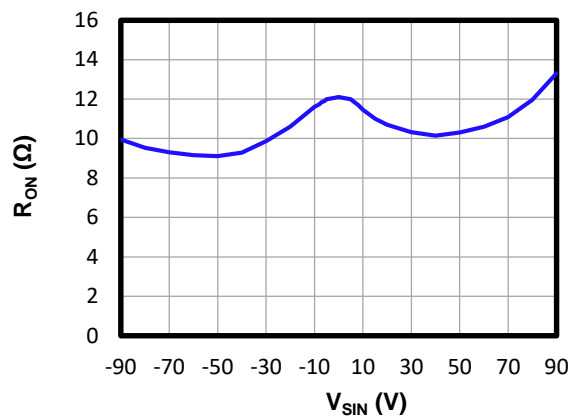
Off-Isolation vs. Frequency

$R_{LOAD} = 50\Omega$



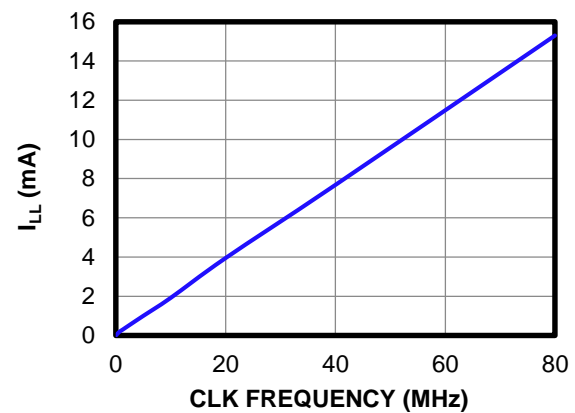
On Switch Resistance vs. Switch Input Voltage

$R_{LOAD} = 50\Omega$



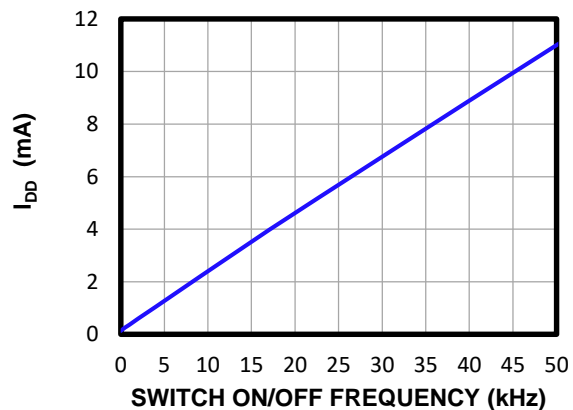
I_{LL} vs. CLK Frequency

$V_{DD} = 12V, V_{LL} = 5V$



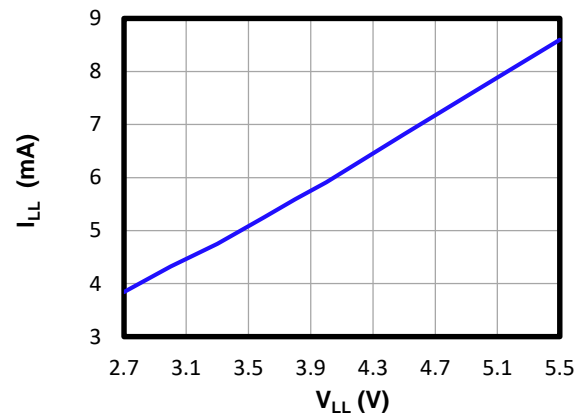
I_{DD} vs. Switch On/Off Frequency

$V_{DD} = 12V, V_{LL} = 5V$, all 64 channels switching



I_{LL} vs. V_{LL}

CLK = 40MHz, $D_{IN} = 20MHz$





TIMING DIAGRAM

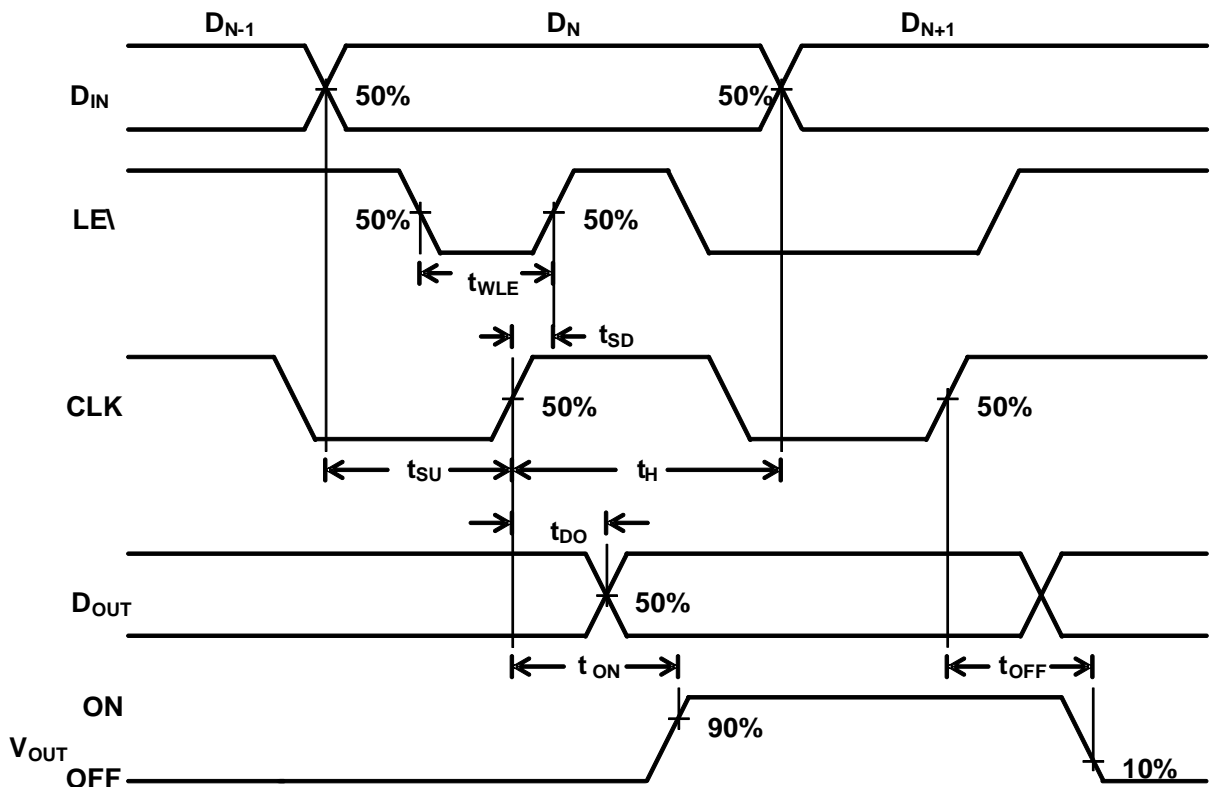


Figure 1: Timing Diagram

LOGIC TRUTH TABLE ⁽⁷⁾

Logic Input							Switch State				
D0	D1	D2	---	D63	Din	LE Bar	SW0	SW1	SW2	---	SW63
L	-	-		-	x	L	Off	-	-		-
H	-	-		-	x	L	On	-	-		-
-	L	-		-	x	L	-	Off	-		-
-	H	-		-	x	L	-	On	-		-
-	-	L		-	x	L	-	-	Off		-
-	-	H		-	x	L	-	-	On		-
-	-	-		L		L	-	-	-		Off
-	-	-		H	x	L	-	-	-		On
x	x	x		x	x	H	Holds previous state				

Note:

7) L denotes low logic, H denotes high logic, and x denotes not applicable.



TEST CIRCUITS

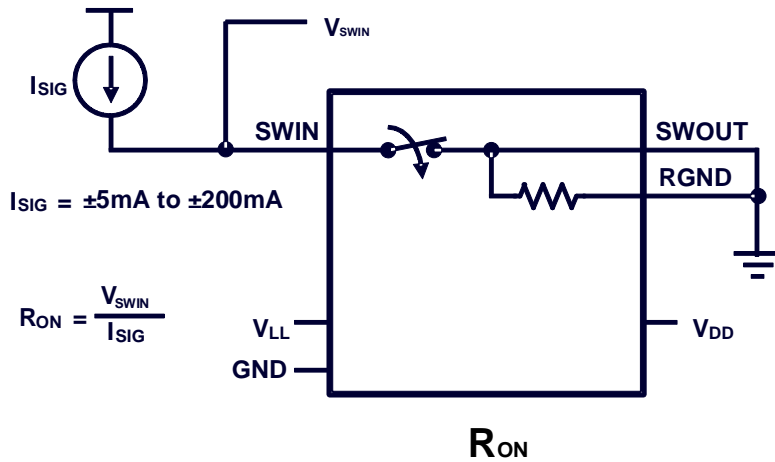


Figure 2: Test Circuit 1

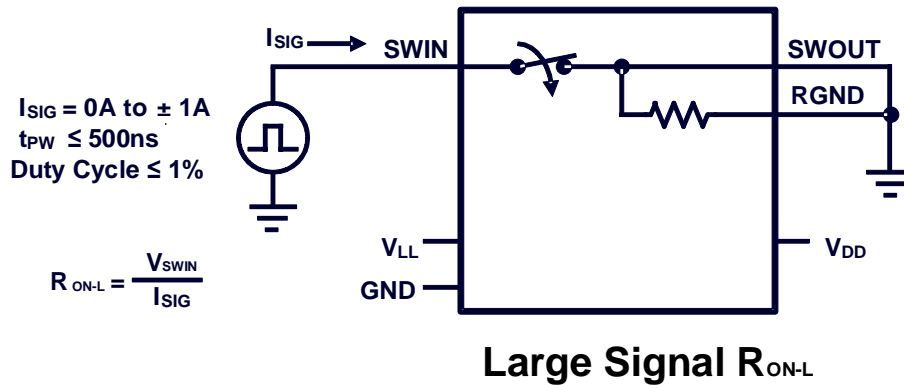


Figure 3: Test Circuit 2

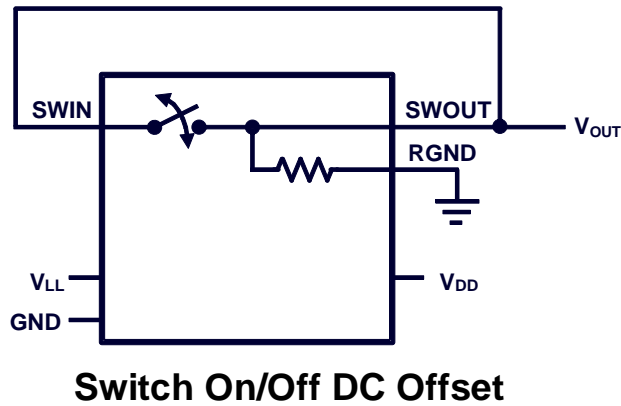


Figure 4: Test Circuit 3



TEST CIRCUITS (continued)

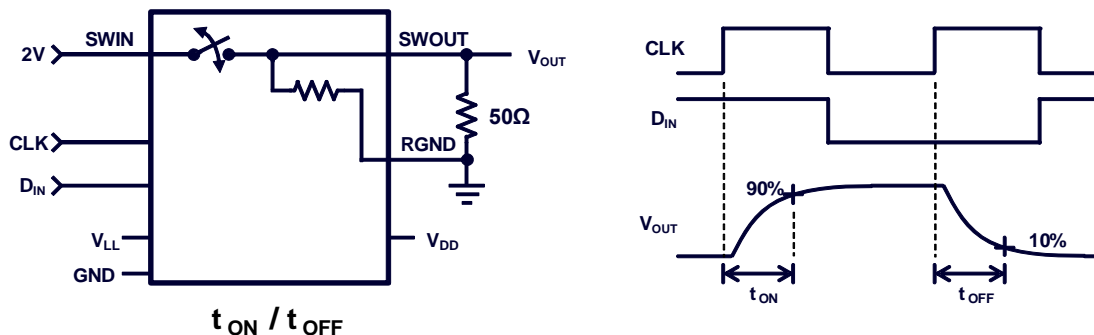
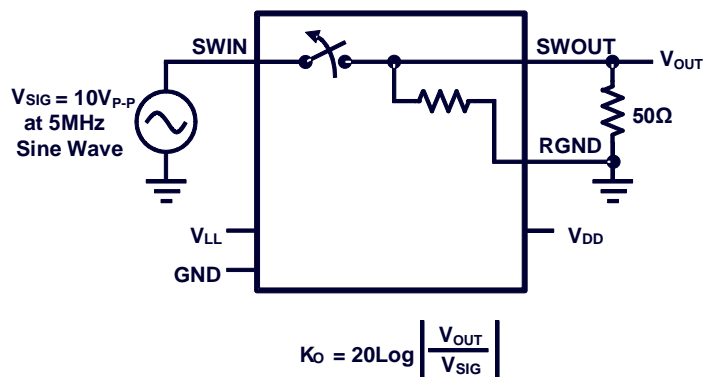
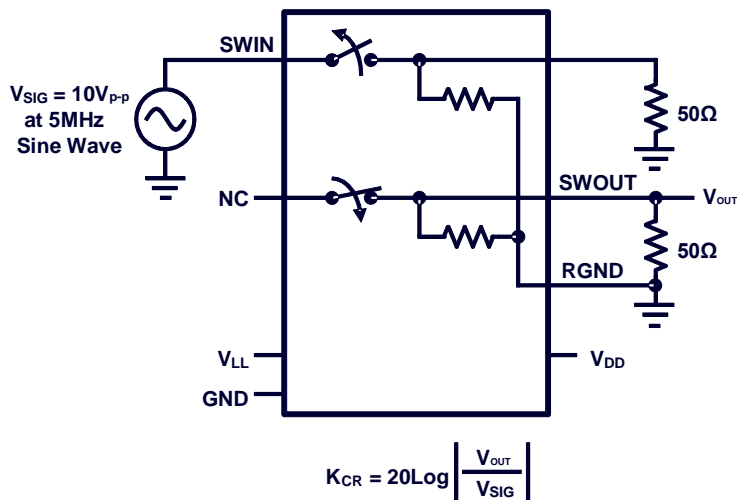


Figure 5: Test Circuit 4



Switch-Off Isolation

Figure 6: Test Circuit 5

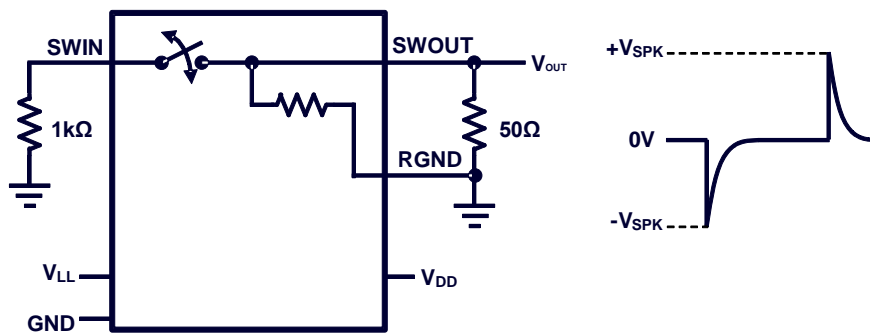


Switch Crosstalk

Figure 7: Test Circuit 6

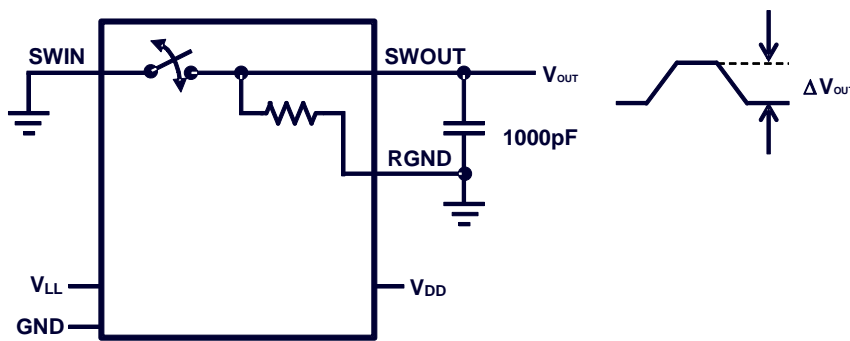


TEST CIRCUITS (continued)



Output Voltage Spike

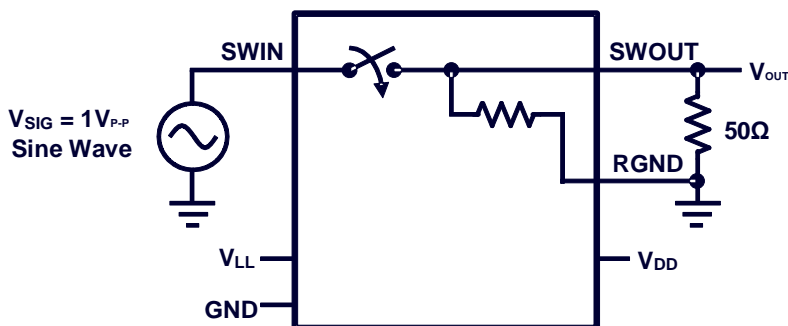
Figure 8: Test Circuit 7



$$Q_{INJ} = 1000\text{pF} \times \Delta V_{out}$$

Charge Injection

Figure 9: Test Circuit 8



Small Signal Bandwidth

Figure 10: Test Circuit 9

FUNCTIONAL BLOCK DIAGRAM

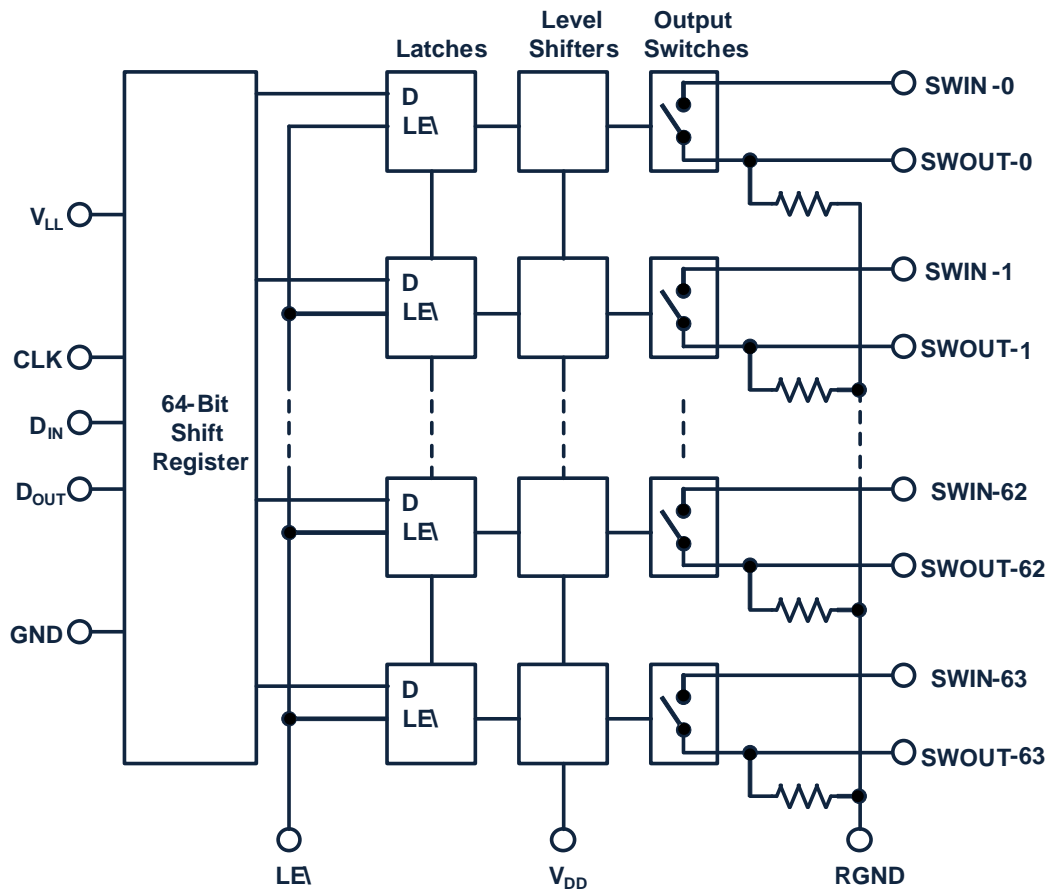


Figure 11: Functional Block Diagram



APPLICATION INFORMATION

Description

The MP4864A is a 64-channel, high-voltage, single-pole single-throw (SPST) analog switch with integrated output bleed resistors. It is designed for medical ultrasound imaging applications, as well as for non-destructive testing (NDT) applications. The device is designed to multiplex high transmission voltages to the selected piezoelectric transducer, and to multiplex the small analog echo signal to the selected receiver.

The output switches are controlled by a 64-bit serial shift register, followed by a 64-bit data latch. A data out (DOUT) pin allows for multiple devices to be cascaded together. This helps minimize the number of input/output (I/O) control lines. A logic high signal in the data latch turns on the corresponding analog switch; a logic low signal turns off the corresponding analog switch.

The MP4864A has a unique, patented design that does not require any high-voltage negative or positive supplies. As a result, the MP4864A eliminates the following:

- The need to generate high-voltage positive and negative supplies
- The need for high-voltage bypass capacitors next to each device
- Safety concerns on high-voltage buses
- Concerns for start-up/shutdown fault conditions

Analog Switch

Analog switches have a typical switch resistance of 14Ω . In the on state, the MP4864A can pass transmission voltages up to $\pm 90V$ with peak currents of up to $\pm 2A$. In the off state, it can block voltages up to $\pm 90V$.

Each switch has a dedicated input and output pin, SWIN and SWOUT. The transmission voltages must be connected to the SWIN pins, and the PZT load to the SWOUT pins. The SWIN and SWOUT pins are not interchangeable.

Short bursts of high-voltage pulses make up typical high-voltage transmission waves. The burst can consist of a single cycle to multiple cycles of 1MHz to 15MHz pulses, starting and ending at 0V (see Figure 12).

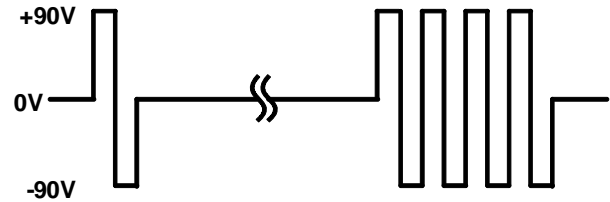


Figure 12: Typical Tx High Voltage Burst

The SWIN input must be close to ground before sending the high-voltage pulses. This allows the internal circuitry to properly drive the output switches.

Transmission voltages above $\pm 5V$ require frequencies above 500kHz. There is no restriction when receiving echo signals in which the voltages are below $\pm 0.5V$. The switch can pass low-voltage DC signals.

Logic Interface

The MP4864A is controlled by a 64-bit serial shift register, followed by a 64-bit latch. Data is loaded to the shift register during the rising edge of the clock. No data is transferred during the falling edge. Data is shifted to register 0, then data is shifted out from register 63.

Figure 13 shows the logic interface details. During the first clock cycle, the first data bit enters shift register 0. After 63 more clocked cycles, the first bit is in register 63.

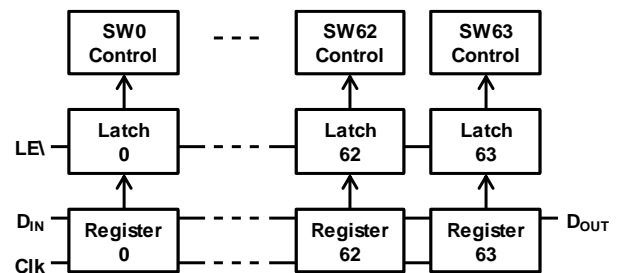


Figure 13: Logic Interface Details

When the latch enable bar ($LE\$) is low, the data in the shift registers is transferred into the 64-bit latch. When $LE\$ is high, the data in the latches are held. With high $LE\$, new data can be shifted into the 64-bit serial shift register without affecting the data in the 64-bit latch. The output switch states follow the data in the 64-bit latch.



APPLICATION DIAGRAM

The MP4864A's maximum clock frequency is 80MHz. The front-end logic control is designed to minimize the number of input and output (I/O) control lines. For example, a system with 192 channels would require three devices. Figure 14 shows three MP4864A devices in a single daisy-chain configuration. With an 80MHz clock, all three devices can be updated in 2.4 μ s. Only three control lines are required: clock, data in,

and the latch enable bar. For systems requiring a faster update, multiple data in lines can be used (see Figure 15). Figure 15 is a 192-channel system incorporating three data input lines: D_{INA}, D_{INB}, and D_{INC}. Each MP4864A device has its own data input line. There are currently just five control lines. With an 80MHz clock, all 192 channels can be updated in 800ns.

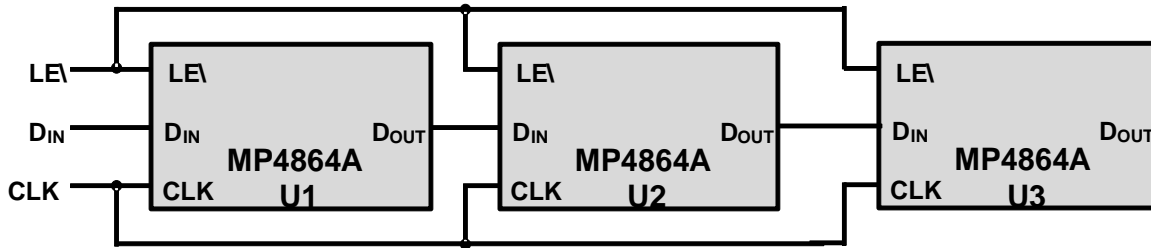


Figure 14: Daisy-Chaining 3 MP4864A Devices with a Single Data Input Line

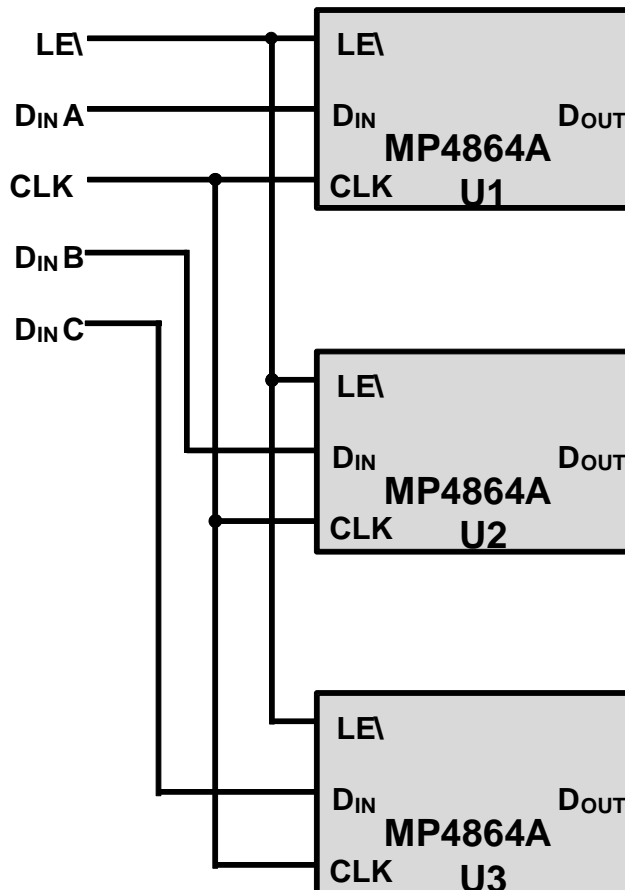


Figure 15: Daisy-Chaining MP4864A Devices with Multiple Data Input Lines



MP4864A – 64-CHANNEL, HIGH-VOLTAGE, SPST ANALOG SWITCH

Figure 16 shows where the MP4864A analog switches reside in an ultrasound system. A 1:3 multiplexing configuration is depicted as an example. Multiplexing configurations can range from 1:2 to 1:8 and higher. 1:8 and higher ratios have slower image frame rates and/or lower quality images, which are generally employed for the lower-end, lower-cost ultrasound market. The MP4864A can be used in any ratio.

The main advantage of using the MP4864A is to simplify the transmitter and receiver circuitry.

Without any analog switches, the ultrasound console requires 192 transmitters and receivers to drive an ultrasound probe with 192 PZT elements. With analog switches, only 64 transmitters and receivers are required. This reduction saves board space, power, and cost, as the transmitter and receiver circuitry can be quite complex. These benefits are especially important for portable ultrasound systems in which space, battery life, and weight are all at a premium.

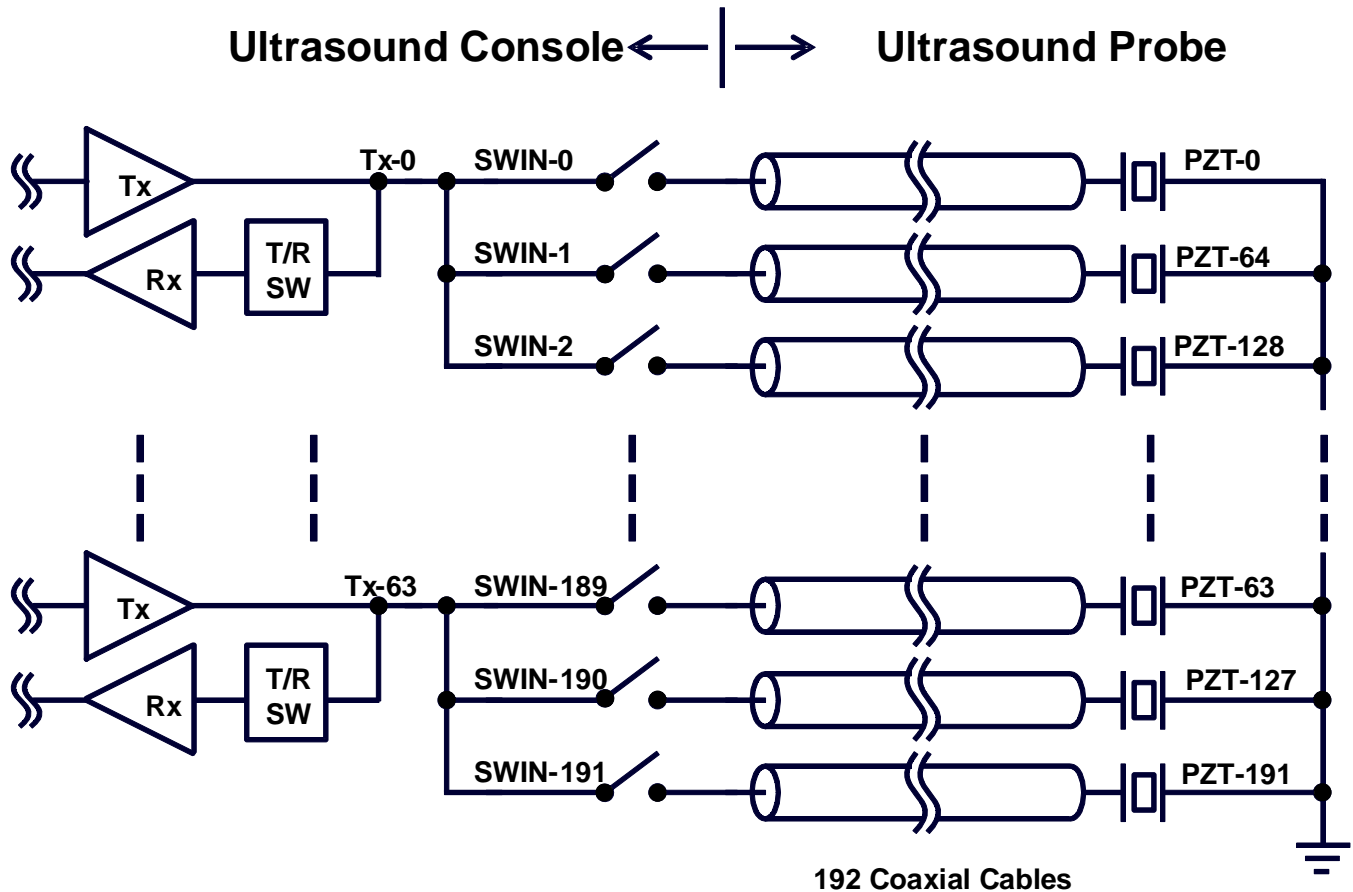


Figure 16: MP4864A in the Console



MP4864A – 64-CHANNEL, HIGH-VOLTAGE, SPST ANALOG SWITCH

Figure 17 shows the advantage of placing analog switches inside the probe head, which is called an active probe. Typically, the probe head is severely space-limited and thermally limited. The housing is waterproof so that it can be submerged in alcohol for sterilization. By employing analog switches inside the probe head, the number of coaxial cables can be reduced. Instead of 192 coaxial cables, only 64 coaxial cables are required for the PZT, plus 10 or less additional coaxial cables for the supply lines and logic interface.

The reduced number of coaxial cables provides significant cost savings for the probe head. The

coaxial cable is by far the most expensive item. Aside from the material cost, the labor to connect the coaxial cables is also quite costly. An added user benefit is the increased maneuverability of the probe head. The sonographer undergoes less fatigue using an active probe. Because it does not require high-voltage supplies, the MP4864A eliminates concerns about running high-voltage DC lines on the coaxial cables. The minimal power dissipation design also minimizes thermal constraints inside the probe head, and the higher clock speed helps reduce the number of data lines.

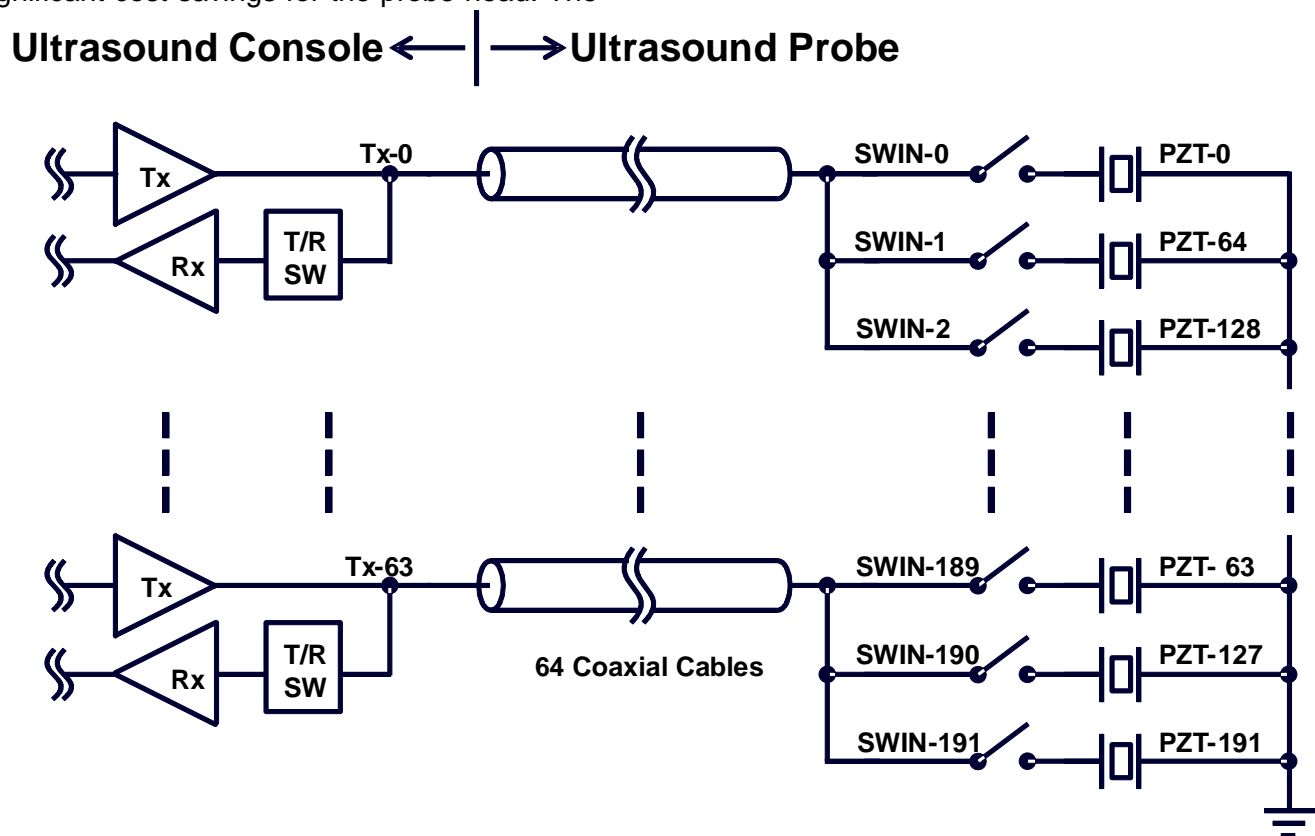


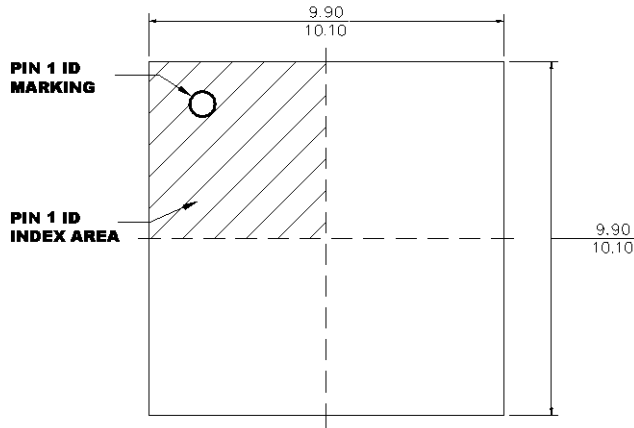
Figure 17: MP4864A Inside the Ultrasound Probe Head



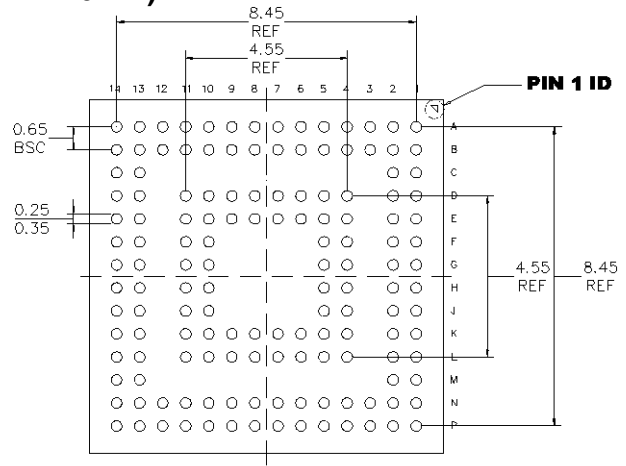
MP4864A – 64-CHANNEL, HIGH-VOLTAGE, SPST ANALOG SWITCH

PACKAGE INFORMATION

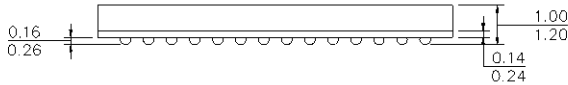
BGA-144 (10mmx10mm)



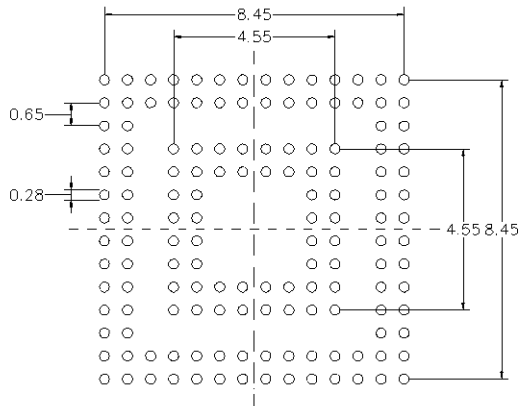
TOP VIEW



BOTTOM VIEW



SIDE VIEW



RECOMMENDED LAND PATTERN

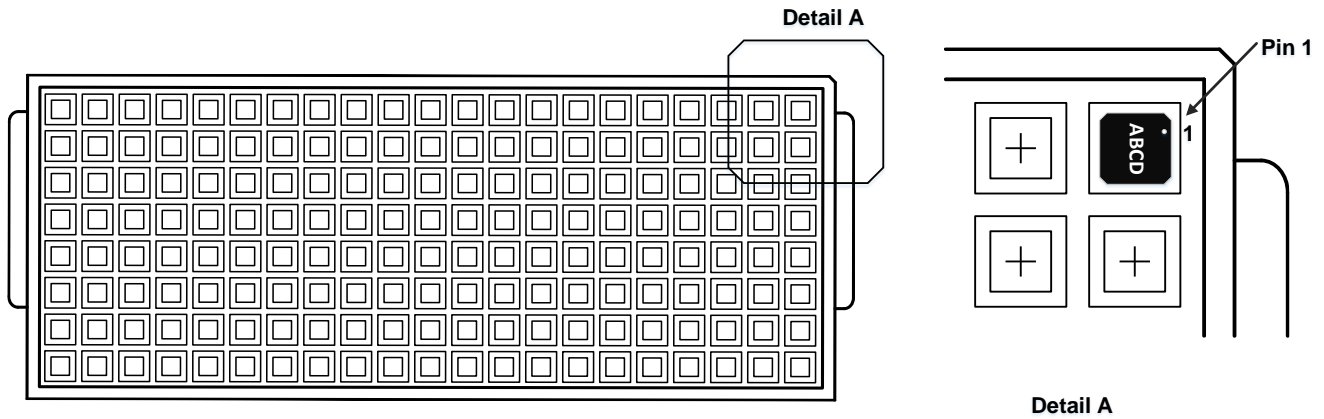
NOTE:

- 1) ALL DIMENSIONS ARE IN MILLIMETERS.
- 2) LEAD COPLANARITY SHALL BE 0.10 MILLIMETERS MAX.
- 3) JEDEC REFERENCE IS MO-275A.
- 4) DRAWING IS NOT TO SCALE.



MP4864A – 64-CHANNEL, HIGH-VOLTAGE, SPST ANALOG SWITCH

CARRIER INFORMATION



Part Number	Package Description	Quantity/ Reel	Quantity/ Tube	Quantity/ Tray	Reel Diameter	Carrier Tape Width	Carrier Tape Pitch
MP4864AGBD	BGA-144 (10mmx10mm)	N/A	N/A	240	N/A	N/A	N/A

**REVISION HISTORY**

Revision #	Revision Date	Description	Pages Updated
1.0	10/20/2021	Initial Release	-

Notice: The information in this document is subject to change without notice. Users should warrant and guarantee that third-party Intellectual Property rights are not infringed upon when integrating MPS products into any application. MPS will not assume any legal responsibility for any said applications.

OUR CERTIFICATE

DiGi provide top-quality products and perfect service for customer worldwide through standardization, technological innovation and continuous improvement. DiGi through third-party certification, we stricly control the quality of products and services. Welcome your RFQ to

Email: Info@DiGi-Electronics.com



Tel: +00 852-30501935

RFQ Email: Info@DiGi-Electronics.com

DiGi is a global authorized distributor of electronic components.