

# 1415440C Datasheet



<https://www.DiGi-Electronics.com>

DiGi Electronics Part Number	1415440C-DG
Manufacturer	<a href="#">Murata Power Solutions Inc.</a>
Manufacturer Product Number	1415440C
Description	FIXED IND 150UH 4A 69 MOHM TH
Detailed Description	150 $\mu$ H Unshielded Wirewound Inductor 4 A 69mOhm Max Radial, Vertical Cylinder



Tel: +00 852-30501935

RFQ Email: [Info@DiGi-Electronics.com](mailto:Info@DiGi-Electronics.com)

DiGi is a global authorized distributor of electronic components.



## Purchase and inquiry

**Manufacturer Product Number:**

1415440C

**Series:**

1400

**Type:**

Wirewound

**Inductance:**150  $\mu$ H**Current Rating (Amps):**

4 A

**Shielding:**

Unshielded

**Q @ Freq:**

24 @ 50kHz

**Ratings:**

-

**Inductance Frequency - Test:**

1 kHz

**Package / Case:**

Radial, Vertical Cylinder

**Size / Dimension:**

1.031" Dia (26.20mm)

**Base Product Number:**

14

**Manufacturer:**

Murata Power Solutions Inc.

**Product Status:**

Active

**Material - Core:**

-

**Tolerance:** $\pm$ 10%**Current - Saturation (Isat):**

-

**DC Resistance (DCR):**

69mOhm Max

**Frequency - Self Resonant:**

3.4MHz

**Operating Temperature:**

-40°C ~ 85°C

**Mounting Type:**

Through Hole

**Supplier Device Package:**

-

**Height - Seated (Max):**

0.610" (15.50mm)

## Environmental & Export classification

**RoHS Status:**

ROHS3 Compliant

**REACH Status:**

REACH Unaffected

**HTSUS:**

8504.50.4000

**Moisture Sensitivity Level (MSL):**

Not Applicable

**ECCN:**

EAR99



## FEATURES

- RoHS compliant
- Radial format
- -40°C to 85°C operating temperature
- Up to 13A Ibc
- 10µH to 22mH
- Low DC resistance
- Fully tinned leads
- PCB mounting hole
- Low temperature dependence
- Backward compatible with Sn/Pb soldering systems
- Custom parts available

## DESCRIPTION

The 1400 Series is suitable for many power supply and other general purpose filtering applications. The use of a non-magnetic screw will ensure mechanical stability.



For full details go to  
[www.murata-ps.com/rohs](http://www.murata-ps.com/rohs)

## SELECTION GUIDE

Order Code	Inductance, (1kHz, 0.1V <sub>AC</sub> )	DC Current <sup>1</sup>	DC Resistance	Q at f kHz		SRF	Mechanical Dimensions					Footprint	
	±10%	Max.	Max.	Nom.		Nom.	a	b	c	d	Øe	f	Øg
	µH	A	Ω	Q	f	MHz	mm					mm	
1410313C	10 ±15%	13	0.009	54	50	20.7	27.0	24.4	14.0	1.30	5.5	23.9	2.6
1415312C	15 ±15%	12	0.009	42	50	12.7	27.0	24.4	14.0	1.30	5.5	23.9	2.6
1422311C	22 ±15%	11	0.014	64	100	9.3	27.0	24.4	14.0	1.30	5.5	23.9	2.6
1433393C	33 ±15%	9.3	0.017	27	50	9.1	27.0	24.4	14.0	1.30	5.5	23.9	2.6
1447383C	47 ±15%	8.3	0.019	40	100	6.0	27.0	24.4	18.5	1.30	5.5	23.9	2.6
1447385C	47 ±15%	8.5	0.021	33	100	6.7	26.8	24.4	14.0	1.20	5.5	23.8	2.4
1468362C	68 ±15%	6.2	0.032	32	100	5.3	26.5	24.4	14.0	1.08	5.5	23.7	2.1
1468373C	68 ±15%	7.3	0.025	45	100	5.3	27.0	24.4	18.5	1.30	5.5	23.9	2.6
1410454C	100	5.4	0.046	24	100	4.6	26.4	24.4	14.0	1.02	5.5	23.6	2.0
1410460C	100	6.0	0.033	37	100	3.9	26.8	24.4	18.5	1.20	5.5	23.8	2.4
1410478C	100	7.8	0.040	34	50	3.3	32.4	29.8	21.8	1.30	5.1	29.3	2.6
1415440C	150	4.0	0.069	24	50	3.4	26.2	24.4	14.0	0.90	5.5	23.5	1.8
1415449C	150	4.9	0.055	34	50	2.9	26.4	24.4	18.5	1.02	5.5	23.6	2.0
1415465C	150	6.5	0.042	46	100	2.4	32.2	29.8	21.8	1.20	5.1	29.2	2.4
1422435C	220	3.5	0.096	22	50	2.8	26.1	24.4	14.0	0.85	5.5	23.5	1.7
1422441C	220	4.1	0.073	33	100	2.3	26.3	24.4	18.5	0.97	5.5	23.6	1.9
1422455C	220	5.5	0.062	30	50	2.2	32.1	29.8	21.8	1.14	5.1	29.1	2.2
1430430C	300	3.0	0.140	26	50	2.6	25.9	24.4	14.0	0.75	5.5	23.4	1.5
1430433C	300	3.3	0.100	37	50	2.2	26.2	24.4	18.5	0.90	5.5	23.5	1.8
1430450C	300	5.0	0.080	28	50	1.7	31.8	29.8	21.8	1.02	5.1	29.0	2.0
1433428C	330	2.8	0.150	22	50	2.5	25.9	24.4	14.0	0.76	5.5	23.4	1.5
1433433C	330	3.3	0.120	29	50	2.0	26.2	24.4	18.5	0.90	5.5	23.5	1.8
1433445C	330	4.5	0.091	25	50	1.6	31.8	29.8	21.8	1.02	5.1	29.0	2.0
1447423C	470	2.3	0.250	34	50	2.0	25.7	24.4	14.0	0.67	5.5	23.3	1.3
1447427C	470	2.7	0.160	25	50	1.6	26.1	24.4	18.5	0.85	5.5	23.5	1.7
1447440C	470	4.0	0.125	24	50	1.4	31.7	29.8	21.8	0.97	5.1	29.0	1.9
1468420C	680	2.0	0.300	23	50	1.6	25.7	24.4	14.0	0.67	5.5	23.3	1.3
1468422C	680	2.2	0.226	28	50	1.3	25.9	24.4	18.5	0.75	5.5	23.4	1.5
1468431C	680	3.1	0.173	60	10	1.0	31.6	29.8	21.8	0.90	5.1	28.9	1.8
1410516C	1.0mH	1.6	0.460	30	50	1.4	25.6	24.4	14.0	0.60	5.5	23.2	1.2
1410517C	1.0mH	1.7	0.336	35	50	1.2	25.7	24.4	18.5	0.67	5.5	23.3	1.3
1410524C	1.0mH	2.4	0.277	33	50	1.0	31.4	29.8	21.8	0.79	5.1	28.8	1.5
1415513C	1.5mH	1.3	0.680	34	50	1.0	25.5	24.4	14.0	0.54	5.5	23.1	1.0
1415514C	1.5mH	1.4	0.550	47	50	0.8	25.6	24.4	18.5	0.60	5.5	23.2	1.2
1415517C	1.5mH	1.7	0.374	28	50	0.7	31.3	29.8	21.8	0.75	5.1	28.8	1.5
1422509C	2.2mH	0.9	1.000	43	50	0.9	25.3	24.4	14.0	0.48	5.5	23.1	0.9
1422512C	2.2mH	1.2	0.700	33	50	0.7	25.6	24.4	18.5	0.60	5.5	23.2	1.2
1422514C	2.2mH	1.4	0.622	33	50	0.6	31.1	29.8	21.8	0.67	5.1	28.7	1.3
1433507C	3.3mH	0.7	1.428	45	50	0.8	25.2	24.4	14.0	0.43	5.5	23.0	0.8
1433510C	3.3mH	1.0	1.992	20	50	0.7	25.5	24.4	18.5	0.54	5.5	23.1	1.0
1433512C	3.3mH	1.2	0.930	20	50	0.5	31.0	29.8	21.8	0.60	5.1	28.6	1.2
1447506C	4.7mH	0.6	2.200	60	50	0.6	25.2	24.4	14.0	0.39	5.5	23.0	0.7
1447508C	4.7mH	0.8	1.600	65	50	0.5	25.3	24.4	18.5	0.48	5.5	23.1	0.9
1447509C	4.7mH	0.9	1.400	57	10	0.5	30.9	29.8	21.8	0.54	5.1	28.5	1.0
1468505C	6.8mH	0.5	2.880	50	50	0.5	25.2	24.4	14.0	0.39	5.5	23.0	0.7
1468507C	6.8mH	0.7	2.300	47	50	0.4	25.2	24.4	18.5	0.43	5.5	23.0	0.8
1468508C	6.8mH	0.8	2.100	30	50	0.4	30.7	29.8	21.8	0.48	5.1	28.5	0.9
1410604C	10mH	0.4	4.340	51	50	0.4	25.1	24.4	14.0	0.34	5.5	22.9	0.6
1410605C	10mH	0.5	3.600	48	50	0.3	25.2	24.4	18.5	0.39	5.5	23.0	0.7
1410606C	10mH	0.6	2.600	48	50	0.2	30.9	29.8	21.8	0.54	5.1	28.5	1.0
1415604C	15mH	0.4	5.500	61	10	0.2	25.1	24.4	18.5	0.34	5.5	22.9	0.6
1415605C	15mH	0.5	3.740	55	10	0.2	30.6	29.8	21.8	0.43	5.1	28.4	0.8
1422604C	22mH	0.4	6.962	30	50	0.2	30.5	29.8	21.8	0.34	5.1	28.3	0.6

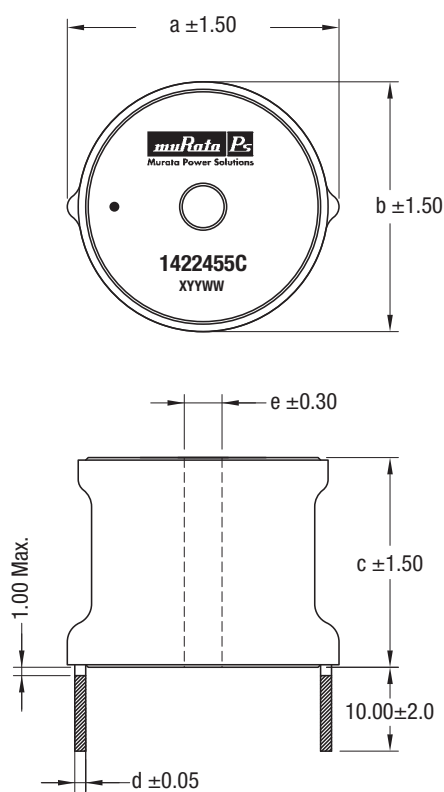
<sup>1</sup> Maximum DC current occurs when either the inductance falls to 60% of its nominal value or when its temperature rise reaches 50°C, whichever is sooner.

**SOLDERING INFORMATION<sup>2</sup>**

Peak wave solder temperature	300°C for 10 seconds
Pin finish	Pure tin dip

**ABSOLUTE MAXIMUM RATINGS**

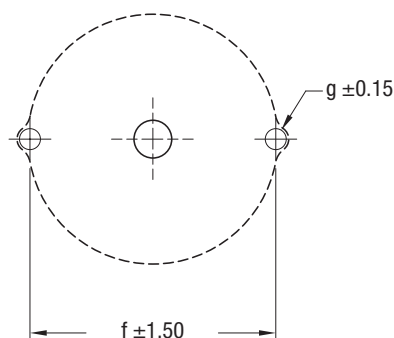
Operating free air temperature range	-40°C to 85°C
Storage temperature range	-55°C to 125°C

All specifications typical at  $T_A=25^\circ\text{C}$ 2 For further information, please visit [www.murata-ps.com/rohs](http://www.murata-ps.com/rohs)**PACKAGE SPECIFICATIONS****MECHANICAL DIMENSIONS**

All dimensions in mm.

Dot indicates the innermost turn of the winding.

Package weight: 30-65g Typ.

**RECOMMENDED FOOTPRINT DETAILS**

All dimensions in mm

**PACKAGING DETAILS**

21.8mm height products	15 per carton
All other products	25 per carton

### DISCLAIMER

Unless otherwise stated in the datasheet, all products are designed for standard commercial and industrial applications and NOT for safety-critical and/or life-critical applications.

Particularly for safety-critical and/or life-critical applications, i.e. applications that may directly endanger or cause the loss of life, inflict bodily harm and/or loss or severe damage to equipment/property, and severely harm the environment, a prior explicit written approval from Murata is strictly required. Any use of Murata standard products for any safety-critical, life-critical or any related applications without any prior explicit written approval from Murata shall be deemed unauthorised use.

These applications include but are not limited to:

- Aircraft equipment
- Aerospace equipment
- Undersea equipment
- Power plant control equipment
- Medical equipment
- Transportation equipment ( automobiles, trains, ships, etc.)
- Traffic signal equipment
- Disaster prevention / crime prevention equipment
- Data Processing equipment

Murata makes no express or implied warranty, representation, or guarantee of suitability, fitness for any particular use/purpose and/or compatibility with any application or device of the buyer, nor does Murata assume any liability whatsoever arising out of unauthorised use of any Murata product for the application of the buyer. The suitability, fitness for any particular use/purpose and/or compatibility of Murata product with any application or device of the buyer remain to be the responsibility and liability of the buyer.

Buyer represents and agrees that it has all the necessary expertise to create and implement safeguards that anticipate dangerous consequences of failures, monitor failures and their consequences, lessen the likelihood of failures that might cause harm, and take appropriate remedial actions. Buyer will fully indemnify and hold Murata, its affiliated companies, and its representatives harmless against any damages arising out of unauthorised use of any Murata products in any safety-critical and/or life-critical applications.

Remark: Murata in this section refers to Murata Manufacturing Company and its affiliated companies worldwide including, but not limited to, Murata Power Solutions.



This product is subject to the following [operating requirements](#) and the [Life and Safety Critical Application Sales Policy](#):

Refer to: <https://www.murata.com/en-eu/products/power/requirements>

Murata Power Solutions (Milton Keynes) Ltd. makes no representation that the use of its products in the circuits described herein, or the use of other technical information contained herein, will not infringe upon existing or future patent rights. The descriptions contained herein do not imply the granting of licenses to make, use, or sell equipment constructed in accordance therewith. Specifications are subject to change without notice.

© 2021 Murata Power Solutions (Milton Keynes) Ltd.



## OUR CERTIFICATE

DiGi provide top-quality products and perfect service for customer worldwide through standardization, technological innovation and continuous improvement. DiGi through third-party certification, we stricly control the quality of products and services. Welcome your RFQ to

Email: [Info@DiGi-Electronics.com](mailto:Info@DiGi-Electronics.com)



Tel: +00 852-30501935

RFQ Email: [Info@DiGi-Electronics.com](mailto:Info@DiGi-Electronics.com)

DiGi is a global authorized distributor of electronic components.