

26330C Datasheet

www.digi-electronics.com



<https://www.DiGi-Electronics.com>

DiGi Electronics Part Number	26330C-DG
Manufacturer	Murata Power Solutions Inc.
Manufacturer Product Number	26330C
Description	FIXED IND 33UH 1.5A 120MOHM SMD
Detailed Description	33 μ H Unshielded Wirewound Inductor 1.5 A 120m Ohm Max Nonstandard



Tel: +00 852-30501935

RFQ Email: Info@DiGi-Electronics.com

DiGi is a global authorized distributor of electronic components.

Purchase and inquiry

Manufacturer Product Number:

26330C

Series:

2600

Type:

Wirewound

Inductance:

33 μ H

Current Rating (Amps):

1.5 A

Shielding:

Unshielded

Q @ Freq:

-

Ratings:

-

Inductance Frequency - Test:

1 kHz

Package / Case:

Nonstandard

Size / Dimension:

0.394" L x 0.354" W (10.00mm x 9.00mm)

Base Product Number:

26

Manufacturer:

Murata Power Solutions Inc.

Product Status:

Active

Material - Core:

-

Tolerance:

-

Current - Saturation (Isat):

-

DC Resistance (DCR):

120mOhm Max

Frequency - Self Resonant:

12.8MHz

Operating Temperature:

-40°C ~ 85°C

Mounting Type:

Surface Mount

Supplier Device Package:

-

Height - Seated (Max):

0.228" (5.80mm)

Environmental & Export classification

RoHS Status:

ROHS3 Compliant

REACH Status:

REACH Unaffected

HTSUS:

8504.50.4000

Moisture Sensitivity Level (MSL):

1 (Unlimited)

ECCN:

EAR99



2600 Series

Bobbin Wound Surface Mount Inductors



FEATURES

- RoHS compliant
- Up to 4.6A I_{DC}
- 3.3μH to 680μH
- Optional integral EMI shield
- Low R_{DC}
- Surface mount
- Compact size
- Tape and reel packaging
- J-STD-020C reflow
- Backward compatible with Sn/Pb soldering systems

DESCRIPTION

The 2600 series is a range of bobbin-wound, surface-mount inductors designed for use in switching power supply, and power line filter circuits. The parts are suitable for any application requiring a high saturation current in a miniature surface-mount footprint. Where EMI is a critical factor, the devices are available with an integral ferrite EMI shield.

SELECTION GUIDE (UNSHIELDED TYPES)

Order Code	Inductance (1kHz, 100mV _{AC})	Inductance Range (1kHz, 100mV _{AC})	DC Current ¹	DC Resistance	SRF
	Nom. μH	Min. - Max. μH	Max. A	Max. mΩ	Nom. MHz
263R3C	3.3	2.13-3.95	4.40	35	53.0
264R7C	4.7	3.41-6.34	3.60	45	37.0
266R8C	6.8	5.00-9.28	3.10	54	31.0
26100C	10	8.00-12.0	2.60	60	24.8
26120C	12	7.95-14.8	2.42	68	24.0
26150C	15	12.0-18.0	2.27	90	20.2
26180C	18	12.9-24.0	2.10	87	19.0
26220C	22	17.6-26.4	1.95	100	16.9
26330C	33	26.4-39.6	1.50	120	12.8
26470C	47	42.3-51.7	1.28	170	10.2
26680C	68	61.2-74.8	1.11	220	8.37
26101C	100	90.0-110	0.97	350	6.56
26151C	150	135-165	0.78	470	5.20
26221C	220	198-242	0.66	730	4.00
26331C	330	297-363	0.52	1150	3.14
26471C	470	423-517	0.42	1480	2.54
26681C	680	612-748	0.28	2250	1.97

SELECTION GUIDE (SHIELDED TYPES)

Order Code	Inductance (1kHz, 100mV _{AC})	Inductance Range (1kHz, 100mV _{AC})	DC Current ¹	DC Resistance	SRF
	Nom. μH	Min. - Max. μH	Max. A	Max. mΩ	Nom. MHz
26S3R3C	3.3	2.69-5.46	4.60	33	46.0
26S4R7C	4.7	3.58-7.15	3.80	38	38.0
26S6R8C	6.8	4.60-8.97	3.21	43	30.0
26S100C	10	8.00-12.0	2.65	50	22.9
26S120C	12	8.42-15.9	2.55	58	21.0
26S150C	15	12.0-18.0	2.45	60	19.7
26S180C	18	13.4-25.6	2.32	74	16.0
26S220C	22	18.7-26.4	2.20	70	15.5
26S330C	33	28.1-39.6	1.80	100	11.5
26S470C	47	40.0-56.4	1.50	120	9.44
26S680C	68	57.8-81.6	1.26	170	7.47
26S101C	100	85.0-120	1.05	250	6.04
26S151C	150	128-180	0.85	400	4.67
26S221C	220	187-264	0.70	520	3.75
26S331C	330	281-396	0.57	800	2.87
26S471C	470	400-564	0.48	1200	2.33
26S681C	680	578-816	0.40	1780	1.83

ABSOLUTE MAXIMUM RATINGS

Operating free air temperature range	-40°C to 85°C
Storage temperature range	-40°C to 125°C

SOLDERING INFORMATION²

Peak reflow temperature	245°C
Pin finish	Hot dipped tin

Specifications typical at T_A = 25°C

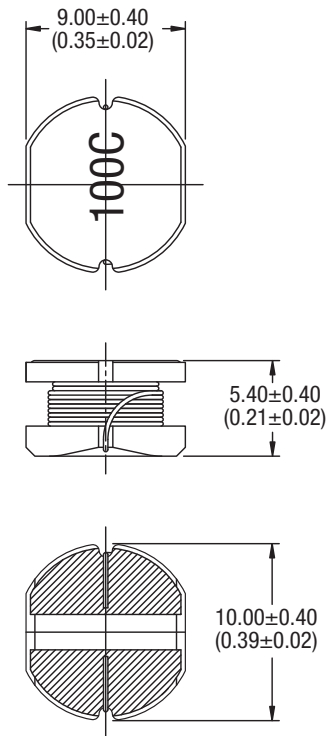
¹ The maximum DC current is the value at which the inductance falls to 80% of its nominal value or when its temperature rise reaches 40°C, whichever is sooner.



For full details go to
www.murata-ps.com/rohs

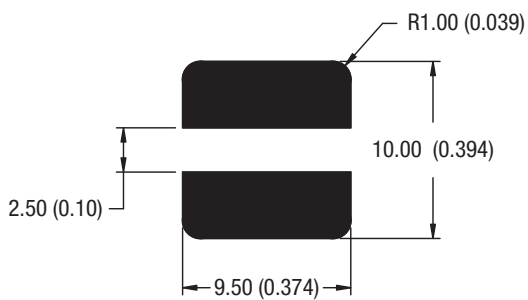
MECHANICAL DIMENSIONS

UNSHIELDED TYPES

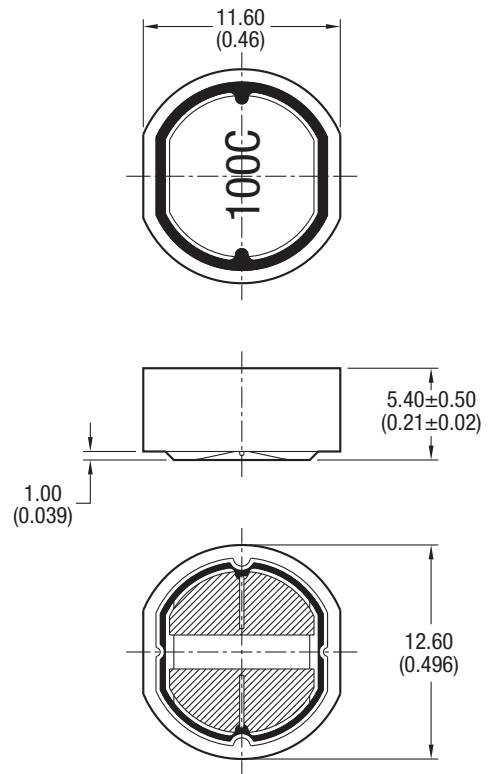


Unless otherwise stated all dimensions in mm (inches) ± 0.25 (0.01). Package Weight 1.54g Typ.

RECOMMENDED FOOTPRINT

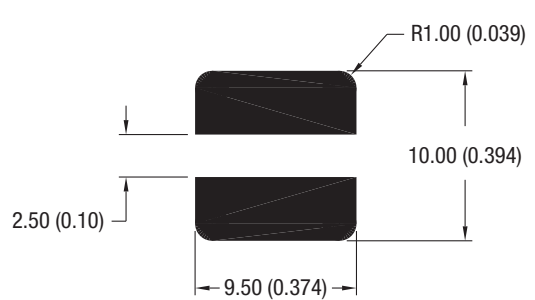


SHIELDED TYPES



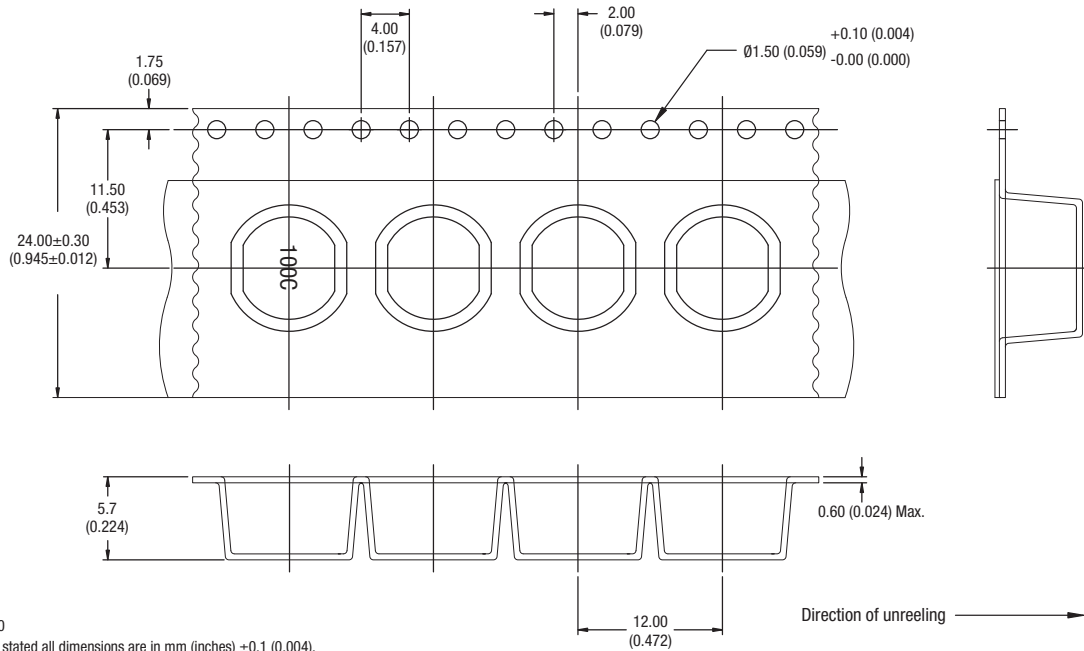
Unless otherwise stated all dimensions in mm (inches) ± 0.25 (0.01). Package Weight 2.34g Typ.

RECOMMENDED FOOTPRINT

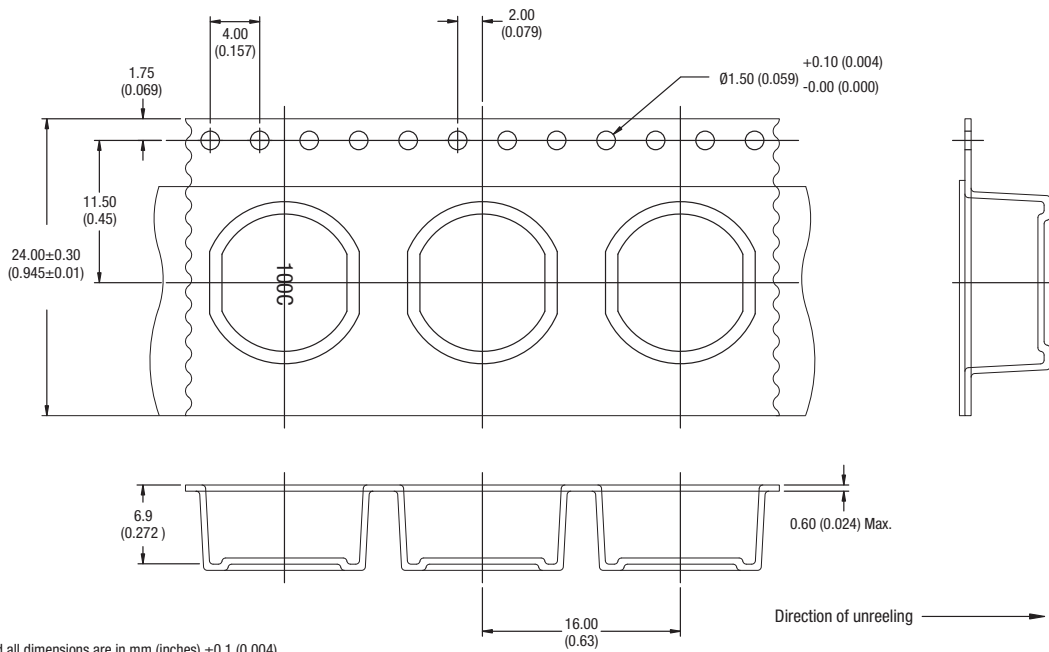


TAPE & REEL SPECIFICATIONS

TAPE OUTLINE DIMENSIONS - UNSHIELDED PARTS

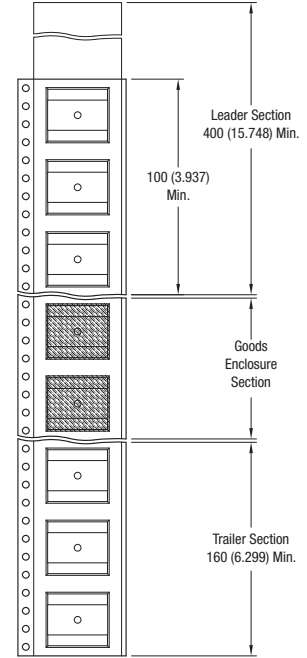
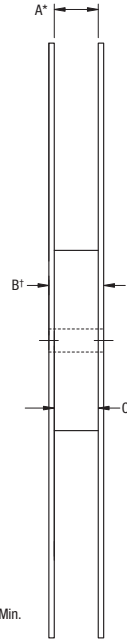
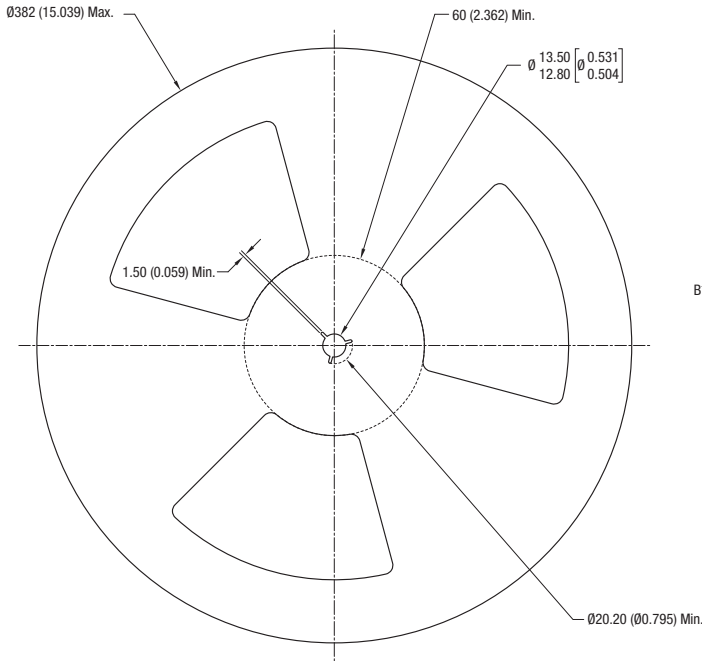


TAPE OUTLINE DIMENSIONS - SHIELDED PARTS



TAPE & REEL SPECIFICATIONS (Continued)

REEL OUTLINE DIMENSIONS



All dimension in mm [inches]
 * Includes flange distortion at outer edge
 † Measured at hub

	A	B (Max.)	C
Unshielded Types	23.9-27.4 (0.94-1.08)	30.4 (1.197)	24.4-26.4 (0.96-1.04)
Shielded Types	23.9-27.4 (0.94-1.08)	30.4 (1.197)	24.4-26.4 (0.96-1.04)

DISCLAIMER

Unless otherwise stated in the datasheet, all products are designed for standard commercial and industrial applications and NOT for safety-critical and/or life-critical applications.

Particularly for safety-critical and/or life-critical applications, i.e. applications that may directly endanger or cause the loss of life, inflict bodily harm and/or loss or severe damage to equipment/property, and severely harm the environment, a prior explicit written approval from Murata is strictly required. Any use of Murata standard products for any safety-critical, life-critical or any related applications without any prior explicit written approval from Murata shall be deemed unauthorised use.

These applications include but are not limited to:

- Aircraft equipment
- Aerospace equipment
- Undersea equipment
- Power plant control equipment
- Medical equipment
- Transportation equipment (automobiles, trains, ships, etc.)
- Traffic signal equipment
- Disaster prevention / crime prevention equipment
- Data Processing equipment

Murata makes no express or implied warranty, representation, or guarantee of suitability, fitness for any particular use/purpose and/or compatibility with any application or device of the buyer, nor does Murata assume any liability whatsoever arising out of unauthorised use of any Murata product for the application of the buyer. The suitability, fitness for any particular use/purpose and/or compatibility of Murata product with any application or device of the buyer remain to be the responsibility and liability of the buyer.

Buyer represents and agrees that it has all the necessary expertise to create and implement safeguards that anticipate dangerous consequences of failures, monitor failures and their consequences, lessen the likelihood of failures that might cause harm, and take appropriate remedial actions. Buyer will fully indemnify and hold Murata, its affiliated companies, and its representatives harmless against any damages arising out of unauthorised use of any Murata products in any safety-critical and/or life-critical applications.

Remark: Murata in this section refers to Murata Manufacturing Company and its affiliated companies worldwide including, but not limited to, Murata Power Solutions.



This product is subject to the following [operating requirements](https://www.murata.com/en-eu/products/power/requirements) and the [Life and Safety Critical Application Sales Policy](https://www.murata.com/en-eu/products/power/requirements):

Refer to: <https://www.murata.com/en-eu/products/power/requirements>

Murata Power Solutions (Milton Keynes) Ltd. makes no representation that the use of its products in the circuits described herein, or the use of other technical information contained herein, will not infringe upon existing or future patent rights. The descriptions contained herein do not imply the granting of licenses to make, use, or sell equipment constructed in accordance therewith. Specifications are subject to change without notice.

© 2021 Murata Power Solutions (Milton Keynes) Ltd.

OUR CERTIFICATE

DiGi provide top-quality products and perfect service for customer worldwide through standardization, technological innovation and continuous improvement. DiGi through third-party certification, we stricly control the quality of products and services. Welcome your RFQ to

Email: Info@DiGi-Electronics.com



Tel: +00 852-30501935

RFQ Email: Info@DiGi-Electronics.com

DiGi is a global authorized distributor of electronic components.